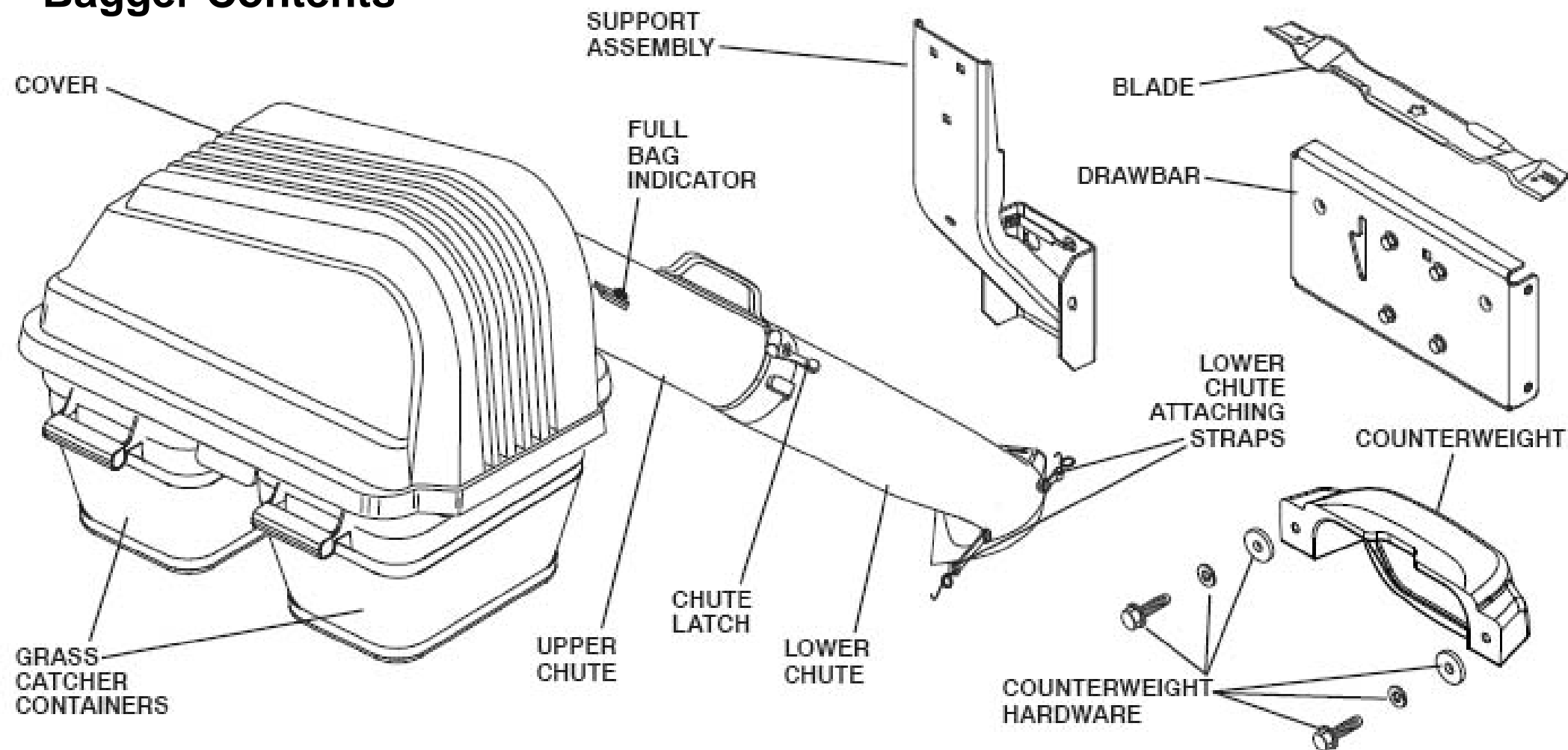


Main Menu

- [LRV Bagger Components](#)
- [Bagger Blade](#)
- [Precautions](#)
- [Rear Plate Or Drawbar](#)
- [Support Assembly](#)
- [Cover Assembly](#)
- [Lower Chute](#)
- [Upper Chute](#)
- [Grass Containers](#)
- [Front Counterweight](#)
- [Full Bag Indicator](#)
- [Bagger Tips From The Owners Manual](#)
- [CAUTIONS From The Owners Manual](#)



Bagger Contents

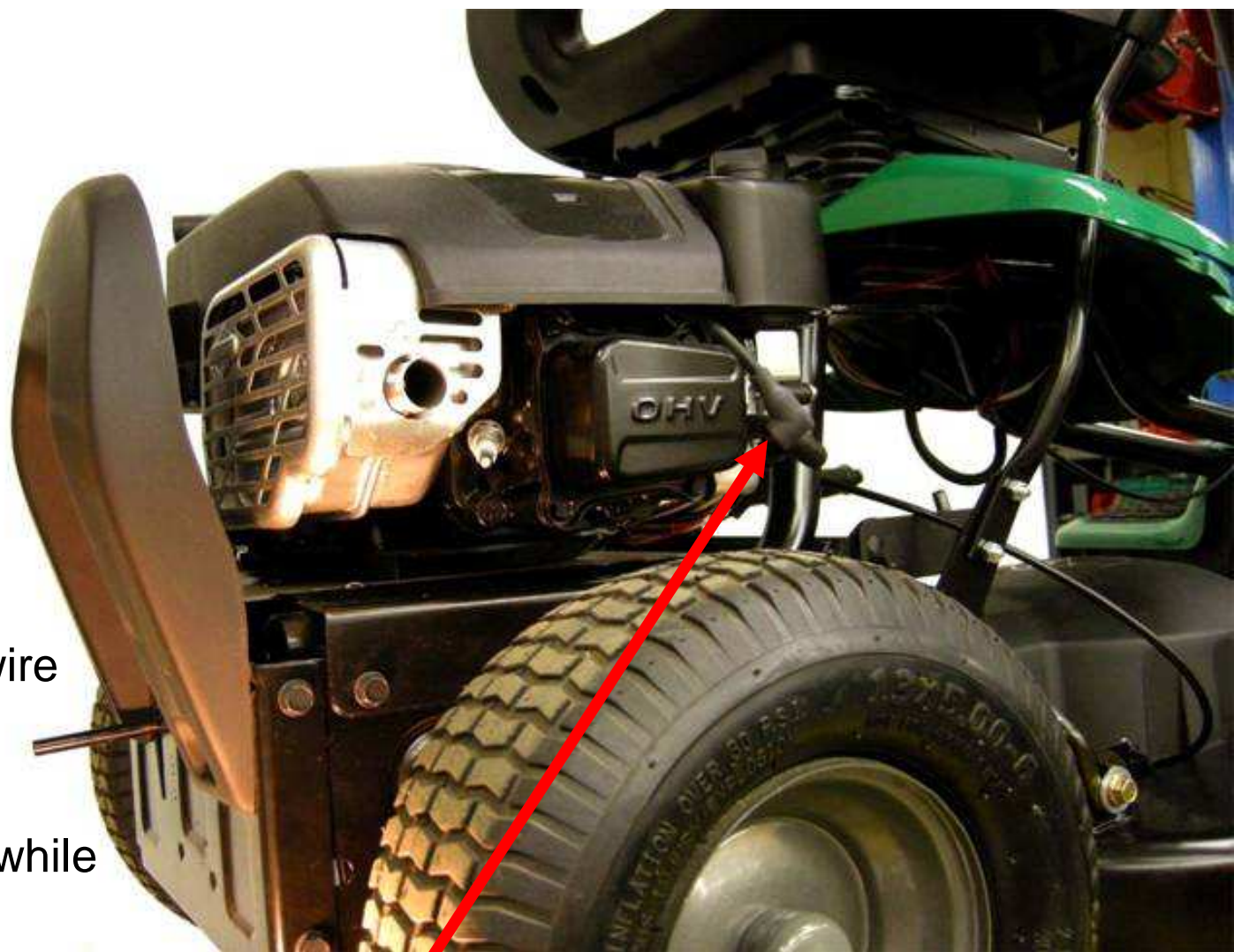


- Components included with an LRV bagger.

[RETURN TO
MAIN MENU](#)

Precautions

- Remove the spark plug wire from the spark plug.
- Remove the ignition key while working on the LRV.



SPARK PLUG WIRE

[RETURN TO
MAIN MENU](#)

Bagger Blade



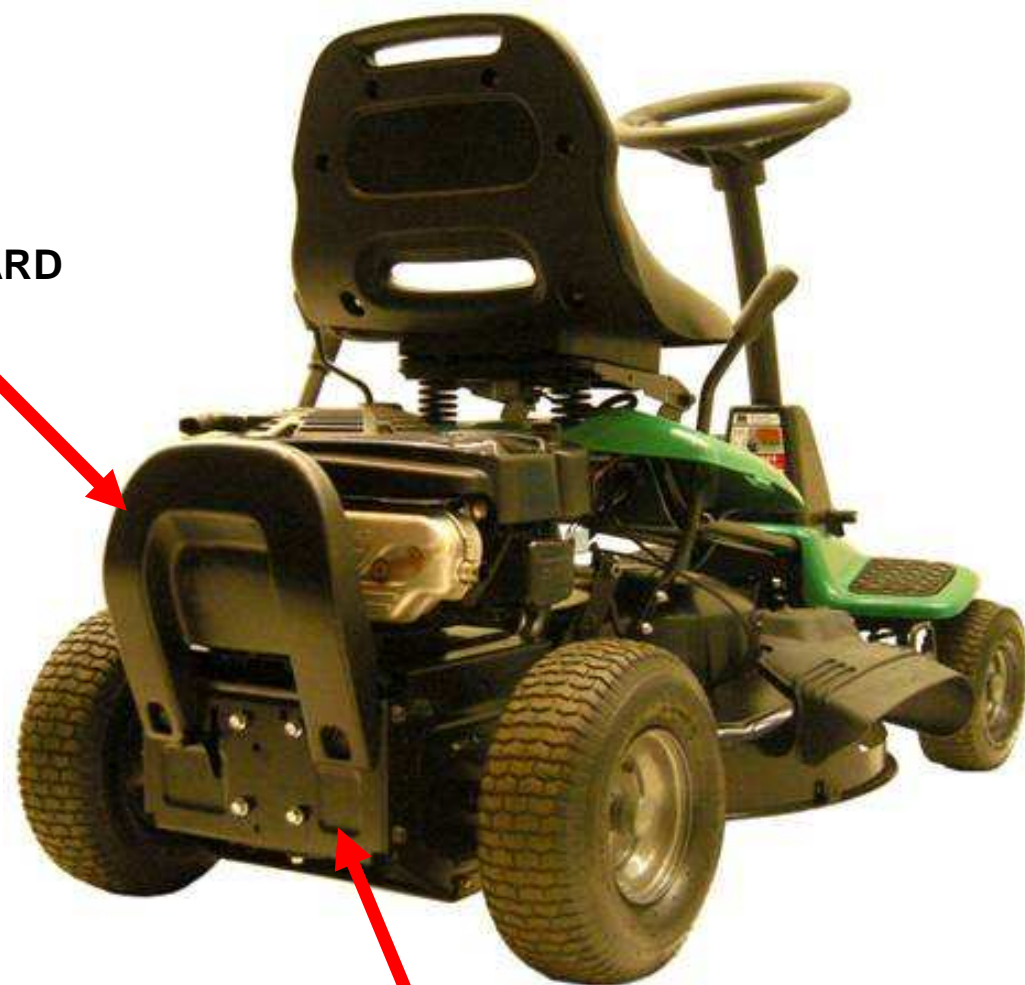
- 26 inch Bagger Blade 428580
- Blade Bolt 193003
- Blade Bolt Torque 45-55 Ft. Lbs.
- Install the bagger blade onto the mower.

[RETURN TO
MAIN MENU](#)

Rear Plate Or Drawbar

- Park the LRV on a level surface.
- Release the brake.
- Remove the engine guard and the rear plate from the LRV.

ENGINE GUARD



REAR PLATE

[RETURN TO
MAIN MENU](#)

Rear Plate Or Drawbar

STANDARD
REAR PLATE

REINFORCED



- To support the weight of the rear bagger a heavier rear plate supplied with the bagger must be installed.
- Thicker and reinforced rear plate.

REAR PLATE FOR BAGGER

[RETURN TO
MAIN MENU](#)

Rear Plate Or Drawbar

- Install the rear plate for the bagger and the engine guard.



[RETURN TO
MAIN MENU](#)

Support Assembly

- Install the support assembly onto the four screws on the transaxle rear plate.



[RETURN TO
MAIN MENU](#)

SUPPORT ASSEMBLY

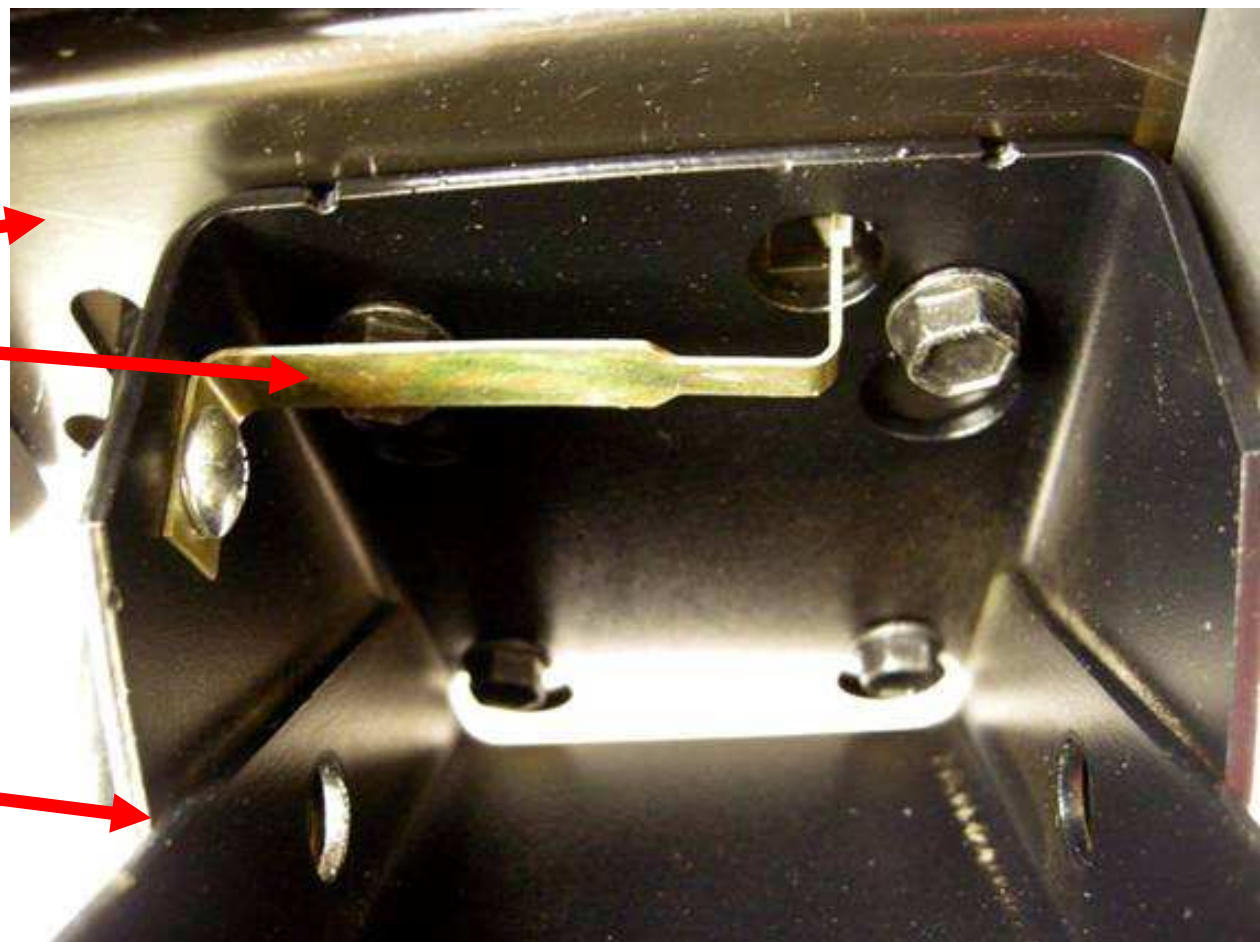
Slide 8

Support Assembly

REAR PLATE

SPRING

SUPPORT ASSEMBLY



- There is a spring in the support assembly to lock it onto the rear plate of the LRV.
- Make sure it is locked into place.
- To remove the support, the spring will need to be released.

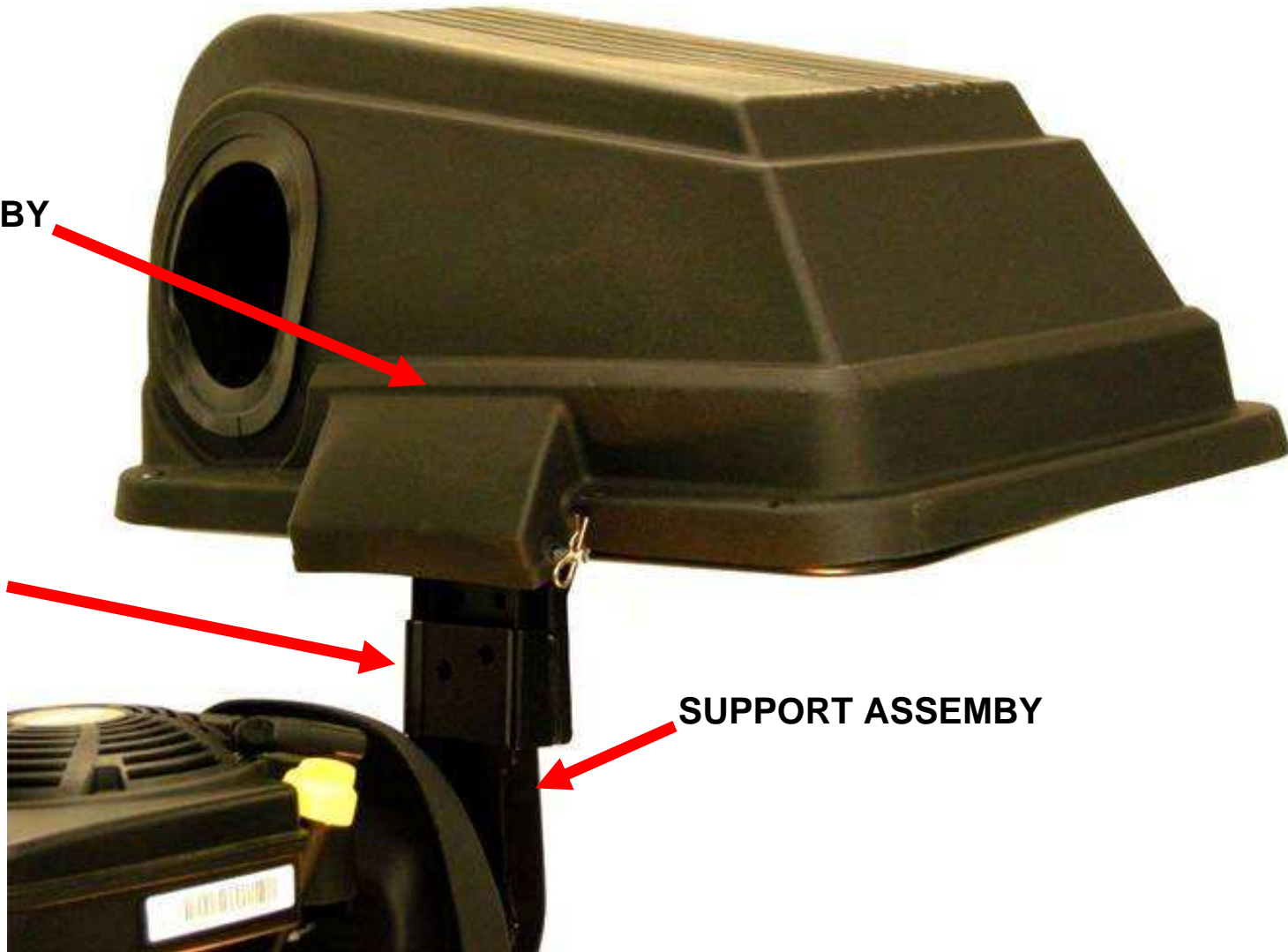
[RETURN TO
MAIN MENU](#)

Cover Assembly

COVER ASSEMBLY

TUBE

SUPPORT ASSEMBLY



- Slide the tube on the cover assembly onto the end of the support assembly.

[RETURN TO
MAIN MENU](#)

Lower Chute

DEFLECTOR
SUPPORT PLATE



TAB

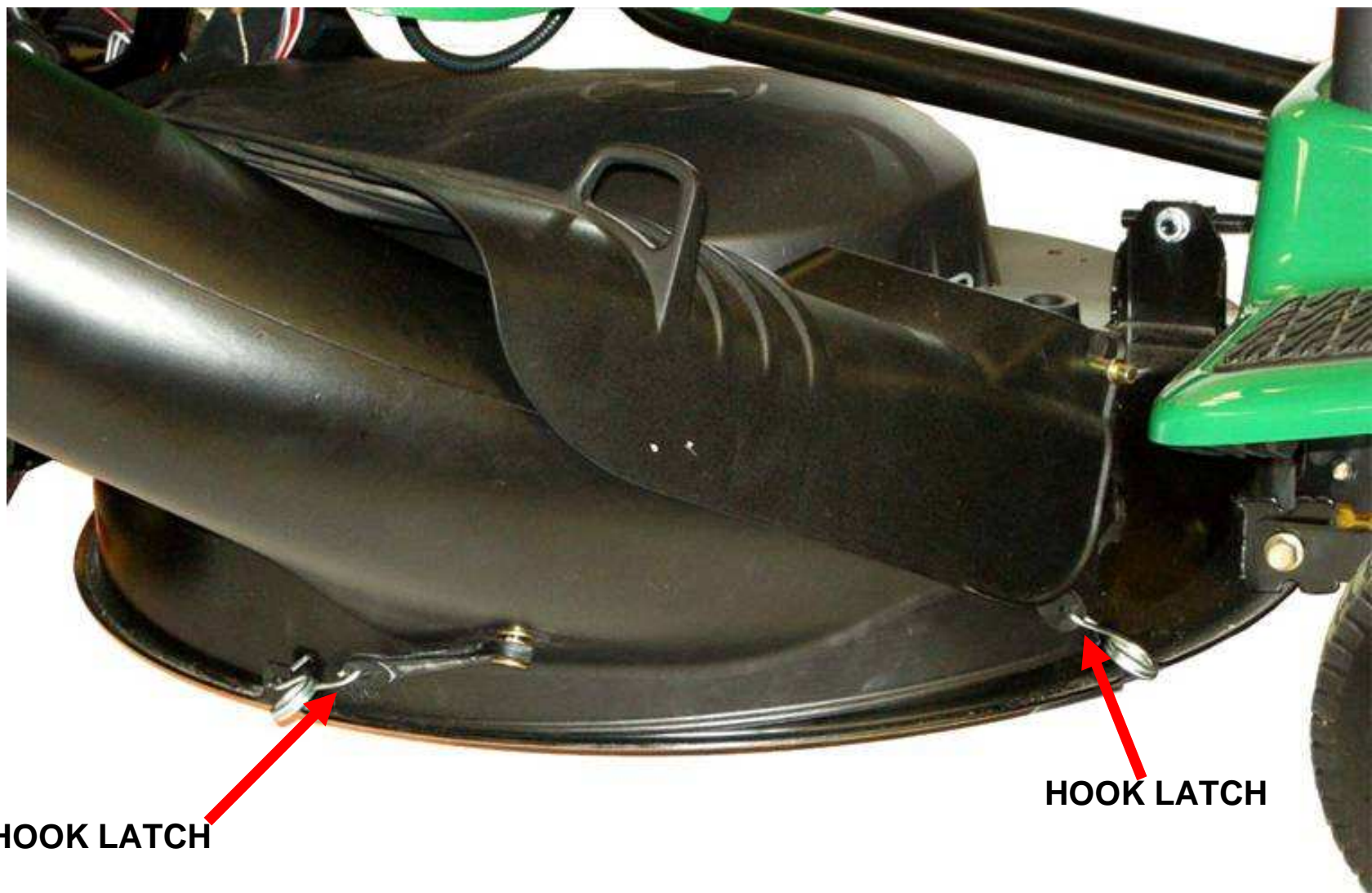
HOOK LATCH

LOWER CHUTE

- Raise the deflector support plate and locate the lower chute onto the tab on the hinge.

[RETURN TO
MAIN MENU](#)

Lower Chute



- Use the hook latches to secure the lower chute to the mower deck.

[RETURN TO
MAIN MENU](#)

Upper Chute



- Install the upper chute into the gasket in the cover assembly using a rotating motion.
- Slide the upper chute down over the lower chute.
- Install the latch.

[RETURN TO
MAIN MENU](#)

Grass Containers



- The containers have cloth sides.
- The green stripes on the bottom handle identify this as the container for the LRV 26 inch bagger.

[RETURN TO
MAIN MENU](#)

Grass Containers

- The grass containers install into the bagger cover.

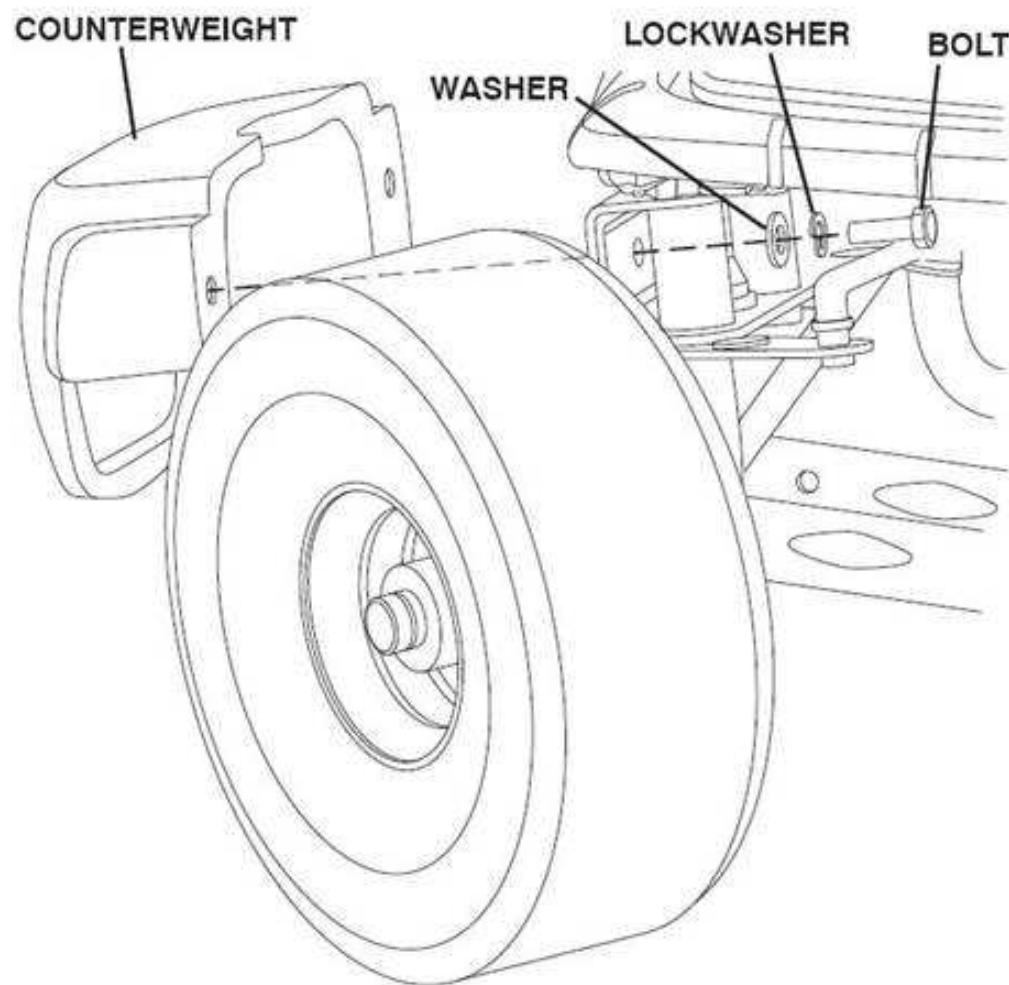
[RETURN TO
MAIN MENU](#)

Bagger

- The bagger is assembled except for the front weight.

[RETURN TO
MAIN MENU](#)

Front Counterweight



- The front counterweight is installed to the front axle with a screw, lockwasher, and washer on each side.

[RETURN TO
MAIN MENU](#)

Full Bag Indicator



This bagger is equipped with a full bagger indicator.

- Movement of the wheel increases as the bags fill.
- The wheel will be spinning fastest just before the bags fill completely.
- When the wheel stops, it indicates that the bags are full and the chutes have become clogged.

[RETURN TO
MAIN MENU](#)

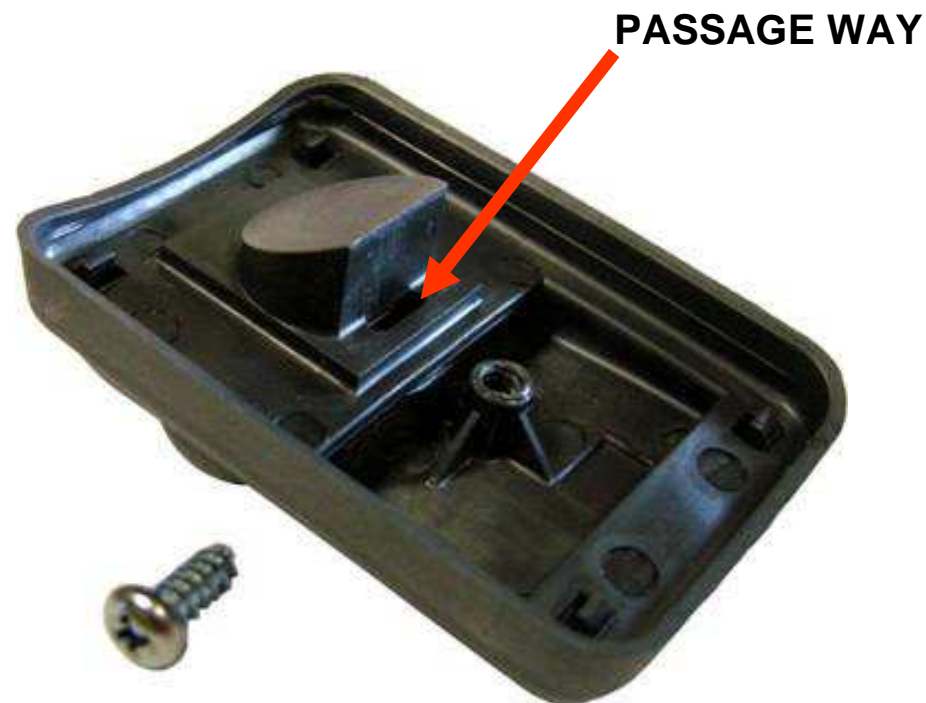
Full Bag Indicator



- NOTE: To help prevent clogging of chutes, check/empty bags when the wheel is spinning fast. Experience will teach the best time to empty the bags.
- Care should be taken not to damage the parts and that the wheel spins freely at the beginning of each use.

[RETURN TO
MAIN MENU](#)

Full Bag Indicator



- Check to insure full bagger indicator has not become clogged.
- The air passage hole must be clear of debris.
- Gently insert a small wire into the passage way to clear.

[RETURN TO
MAIN MENU](#)

Bagger Tips From The Owners Manual

- Avoid cutting wet grass or in the morning while the dew is still heavy. Grass clippings collected under these conditions tend to be sticky and adhere to the walls of the flow path causing clogging.
- Always run throttle at full speed when bagging.
- Select a gear low enough to give good mower cutting performance, good quality cut and good bagging performance.

NOTE: It may be necessary to overlap width of cut to suit your conditions.

- If grass is extremely tall, it should be mowed twice. The first time relatively high, the second time to desired height.
- Use left hand side of mower for trimming.

[RETURN TO
MAIN MENU](#)

CAUTIONS From The Owners Manual

CAUTION: Do not leave grass in bagger containers. Empty containers after each use and before storing. Failure to do so may result in spontaneous combustion which could develop into a fire.



CAUTION: Grass catcher components are subject to wear, damage and deterioration, which could expose moving parts or allow objects to be thrown. Frequently check components and replace with manufacturer's recommended parts, when necessary.

[RETURN TO
MAIN MENU](#)

CAUTIONS From The Owners Manual**CAUTION**

- Do not operate mower with grass catcher partially installed.
- Disengage blade and stop engine before leaving riding mower seat to empty containers, unclogging chutes, etc.
- Close cover before starting.
- Disengage mower when crossing driveways or gravel surfaces and other areas where thrown objects could be a hazard.
- Do not attempt to vacuum up cans or other potentially hazardous projectiles.

[RETURN TO
MAIN MENU](#)

THE END

[RETURN TO
MAIN MENU](#)