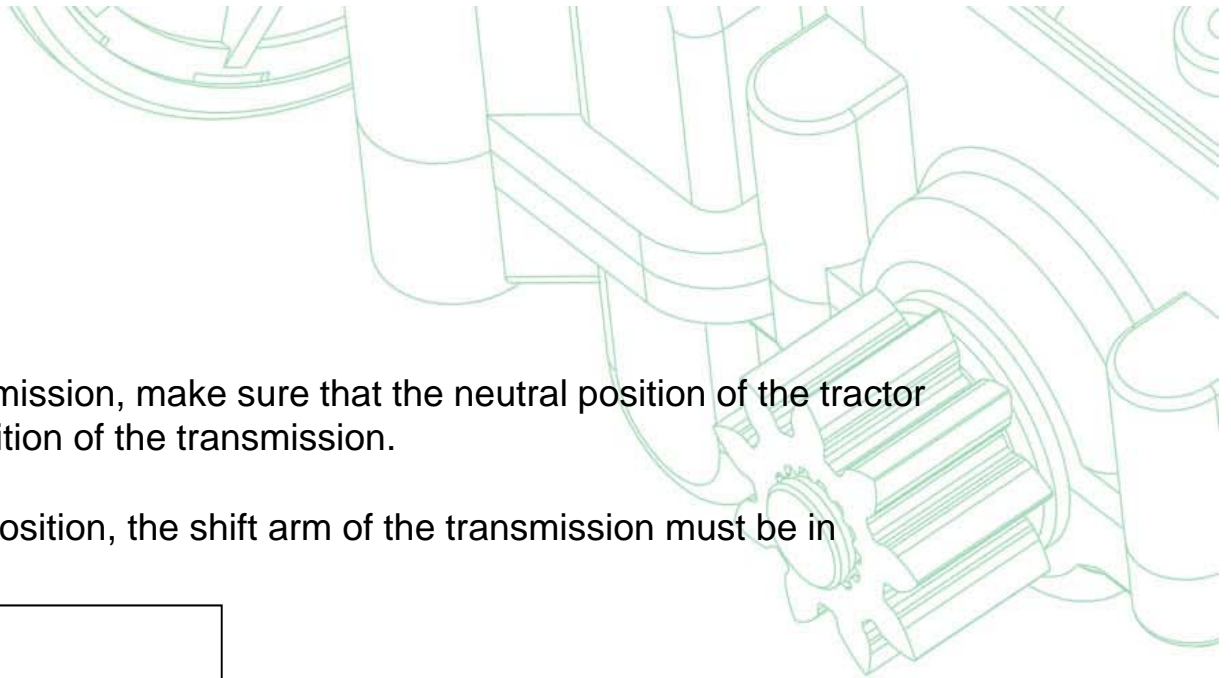


DRIVE SOLUTIONS FOR OUTDOOR POWER EQUIPMENT

Project TXL.T 08-1

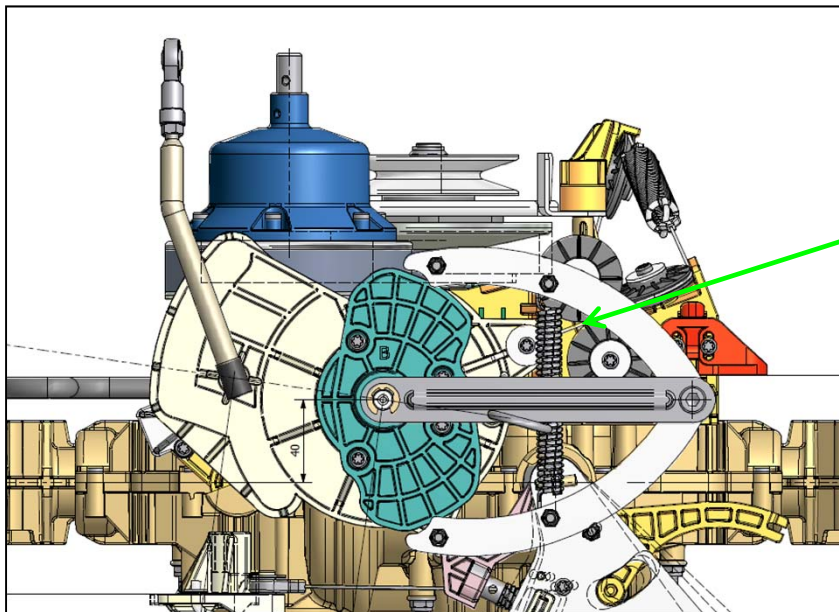
Bypass setting



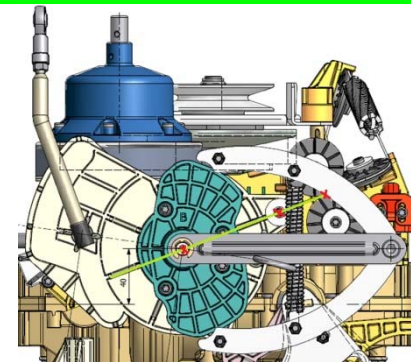
I- Tractor control setting

Before beginning to adjust the transmission, make sure that the neutral position of the tractor lever corresponds to the neutral position of the transmission.

When the tractor lever is in neutral position, the shift arm of the transmission must be in the position shown below.



Cable attachment must be aligned between the both roller (see line on the drawing below)



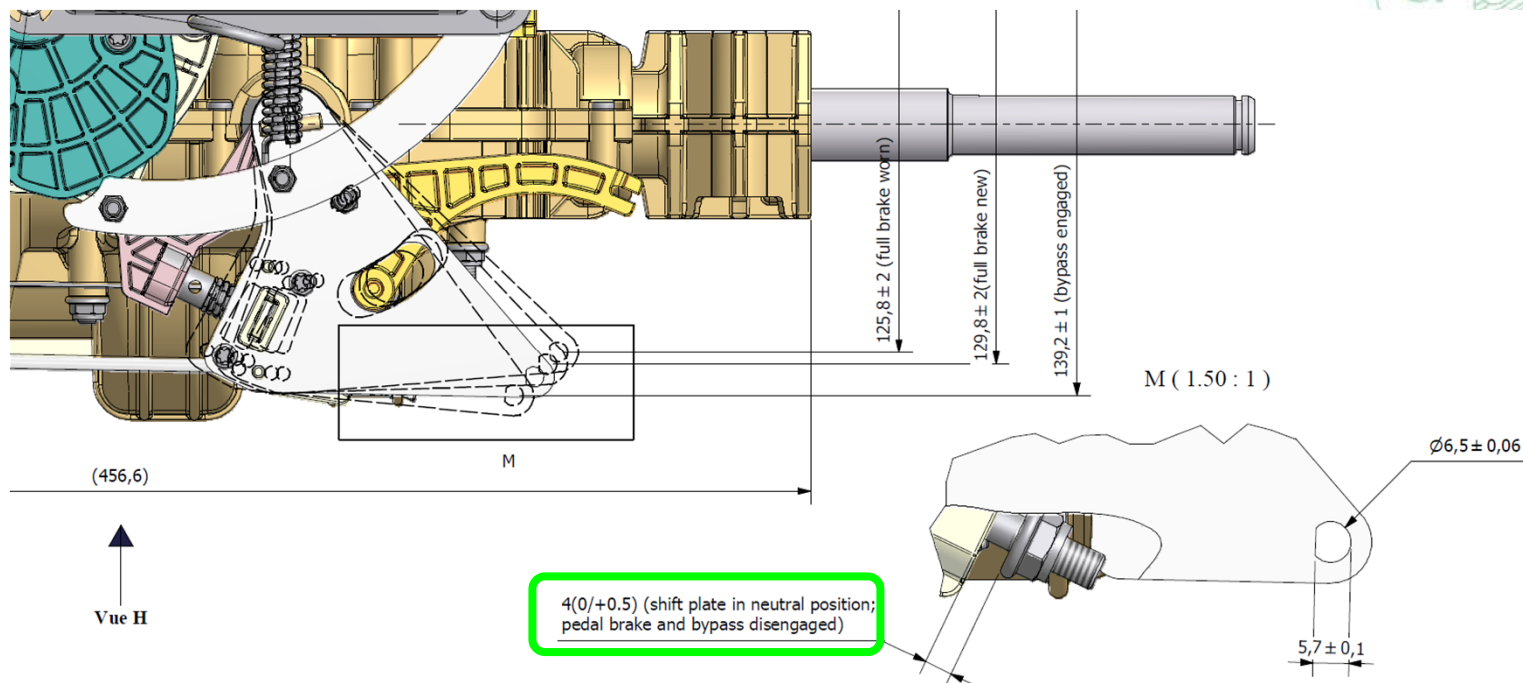
-If necessary, refer to the tractor owner's manual to adjust the setting.

II- Transmission setting

The brake setting impact the bypass setting. Check brake setting before modifying the bypass setting.

A- Brake setting

To make sure that the brake is properly adjusted, check the 4mm distance as shown below.



II- Transmission setting

B- Bypass setting

To insure that the bypass is properly adjusted, check the 6.2mm distance as shown below.

