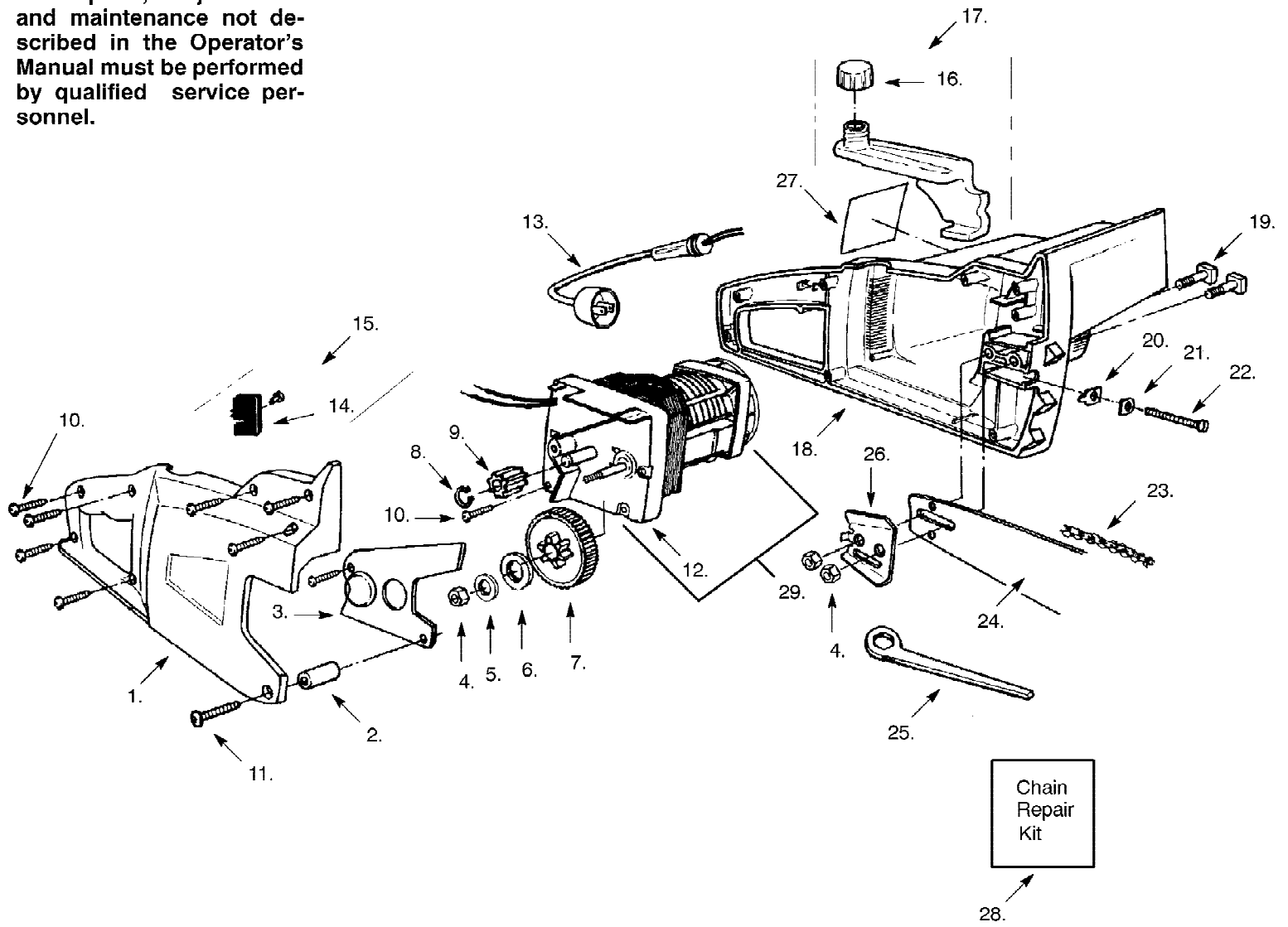


⚠ WARNING

All repairs, adjustments and maintenance not described in the Operator's Manual must be performed by qualified service personnel.



Ref #	Part Number	Qty	Description
1	530-029504		Hsg - Right
2	530-015832		Spacer
3	530-029278		Gear Cover
4	530-015251		Nut
5	530-015842		Washer
6	530-036012		Gear Seal
7	530-029341		Gear Assy
8	530-015501		Retaining Ring
9	530-025463		Pinion Gear
10	534-222402		Screw
11	530-015835		Screw
12	530-400972		Endbell Ass'y.
13	530-401718		Cordset
14	530-025873		Safety Lock Button
15	530-025518		Switch (Incl. 14.)
16	530-029282		Oil Cap
17	530-014254		Oil Tank Assembly
18	530-014253		Motor Hsg - Left (Incl. 19)
19	530-015831		Bar Mounting Bolt
20	530-023492		Pin
21	530-025466		Bar Adjusting Plate
22	530-015514		Screw
23	952-051208		Chain 12"
23	952-051209		Chain 14"
23	952-051211		Chain 16"
24	952-044366		Bar 12"
24	952-044368		Bar 14"
24	952-044370		Bar 16"
25	530-031063		Wrench
26	530-029285		Plate
27	530-029571		Warning Decal Model 1220
27	530-036687		Warning Decal Model 1420
27	530-029572		Warning Decal Model 1425
27	530-029573		Warning Decal Model 1625
27	530-403055		Warning Decal Model EL-14
27	530-401694		Warning Decal Model EL-16
28	530-052073		Chain Repair Kit
29	530-014164		Motor Ass'y Models 1220, 1420; (Incl. 12)
29	530-014255		Motor Ass'y Models 1425, 1625, EL-14 & EL-16; (Incl. 12)
	530-082417		Operator's Manual Not Shown
	530-025644		Scabbard 12" & 14" Not Shown
	530-029543		Scabbard 16" Not Shown