



SPICER OUTDOOR POWER EQUIPMENT COMPONENTS DIVISION

DANA CORPORATION

FREDERICKTOWN, OH 43019

SERVICE PARTS REPLACEMENT LISTING

MODEL NO.: 6800-5

DATE ISSUED: 5/1/2006

DESCRIPTION: Five Speed Linear Shift Transaxle

CUSTOMER NAME & PART NO.: Electrolux Home Products #402718

<u>Key</u> <u>No.</u>	<u>Dana</u> <u>Part No.</u>	<u>E.H.P. Part No.</u>	<u>No.</u> <u>Req'd.</u>	<u>Description</u>
1	6755		1 [1]	Assy, Kit, Housing, Upper
2	1919	2274J	18	Screw, Tapping, 1/4-20 X .734
3	41356		1	Plug, Rubber
4	7089		1	Seal, Oil
5	5947	190973	1	Ball, Detent
6	5948	190974	1	Spring, Detent
7	7101		1	Cover, Detent
8	840052	190975	1	Screw, Tapping, No. 10-24 X .482
9	6670		1 [2]	Assy, Shifter
10	1106	2225J	1	Ring, Retaining
11	4689	134793	2 [3]	Assy, Kit, Shim, .625 Shaft
12	3876	120415X	3	Washer, Plain, .632 X 1.38 X .046
13	6753		1 [4]	Assy, Kit, Input Shaft & Bevel & Pinion
14	1746	142674	1	Key, Woodruff, No. 606
15	3956	134383	1	Ring, Retaining
16	3625	105910X	1	Chain, 24 Pitches
17	7091		5	Bushing, .626 X .874 Sq X .560
18	7080		1	Gear, Spur, 12T
19	6692		1	Assy, Collar, Shift
20	7086		1	Shaft, Intermediate, RH Brake
21	3830	120470X	1	Sprocket, 18T
22	7094		1	Spacer, 1.131 X 1.45 X .580
23	5365	142677	1	Gear, Spur, 37T
24	3867	124644X	1	Gear, Spur, 30T
25	3783	108980X	1	Gear, Spur, 25T
26	3869	120406X	1	Gear, Spur, 22T
27	5202	134796	1	Gear, Spur, 19T
28	5027	134797	1	Spacer, 1.133 X 1.50 X .375
29	7115		1	Seal, Oil
30	7092		1	Bushing, .501 X .874 Sq X .650
31	3890	120467X	1	Washer, Plain, .505 X .942 X .040
32	7079		1	Gear, Spur, 30T
33	7083		1	Shaft, Idler
34	3410		1	Spacer, .633 X 1.00 X .260
35	5180	134418	1	Gear, Spur, 10T
36	1425	2228J	2	Washer, Plain, .632 X 1.00 X .046

Key No.	Dana Part No.	E.H.P. Part No.	No. Req'd.	Description
37	1424	2230J	1	Washer, Plain, .632 X 1.00 X .036
38	3645	105928X	1	Sprocket, 9T
39	4691	134394	2 [3]	Assy, Kit, Shim, .750 Shaft
40	7084		1	Shaft, Drive
41	5364	142678	1	Gear, Spur, 12T
42	3866	124641X	1	Gear, Spur, 20T
43	3719	106589X	1	Gear, Spur, 25T
44	3868	120408X	1	Gear, Spur, 28T
45	3683	105937X	1	Gear, Spur, 31T
46	3714	105936X	1	Spacer, .781 X 1.00 X .375
47	7088		2	Seal, Oil
48	3184	2264J	2	Washer, Plain, .758 X 1.25 X .031
49	7163-1		1	Axle, LH
50	5622	190987	2	Gear, Miter, 12T, Splined
51	5270	160948	2	Ring, Retaining
52	5181	134419	1	Gear, Spur, 41T
53	5623		2	Gear, Miter, 12T, Idler
54	3919	120952X	1	Shaft, Cross
55	7163-2		1	Axle, RH
56	7071-A		1 [5]	Housing, Lower
57	6754		1	Assy, Kit, Friction Puck
58	7103		1 [6]	Disc, Brake
59	3758	108989X	1	Spacer, Brake Puck
60	3843	120954X	2	Pin, Dowel
61	5554	160952	1	Jaw, Brake
62	5285	138244	1	Lever, Actuating
63	3760	108996X	1	Washer, Plain, .321 X 1.00 X .055
64	5555	160954	1	Bracket, Anti-Rotation
65	3847	73810500	1	Nut, Lock, 5/16-24
66	5562	160953	2	Screw, Tapping, 5/16-18 X 2.35

Notes:

[1] Includes 7072, 5272, 7101, 840052, 7057, 7089.

[2] Anti-Seize lubricant to be applied to top surface of 6670 Shifter Assembly (use Bostik Never-Seez or equivalent).

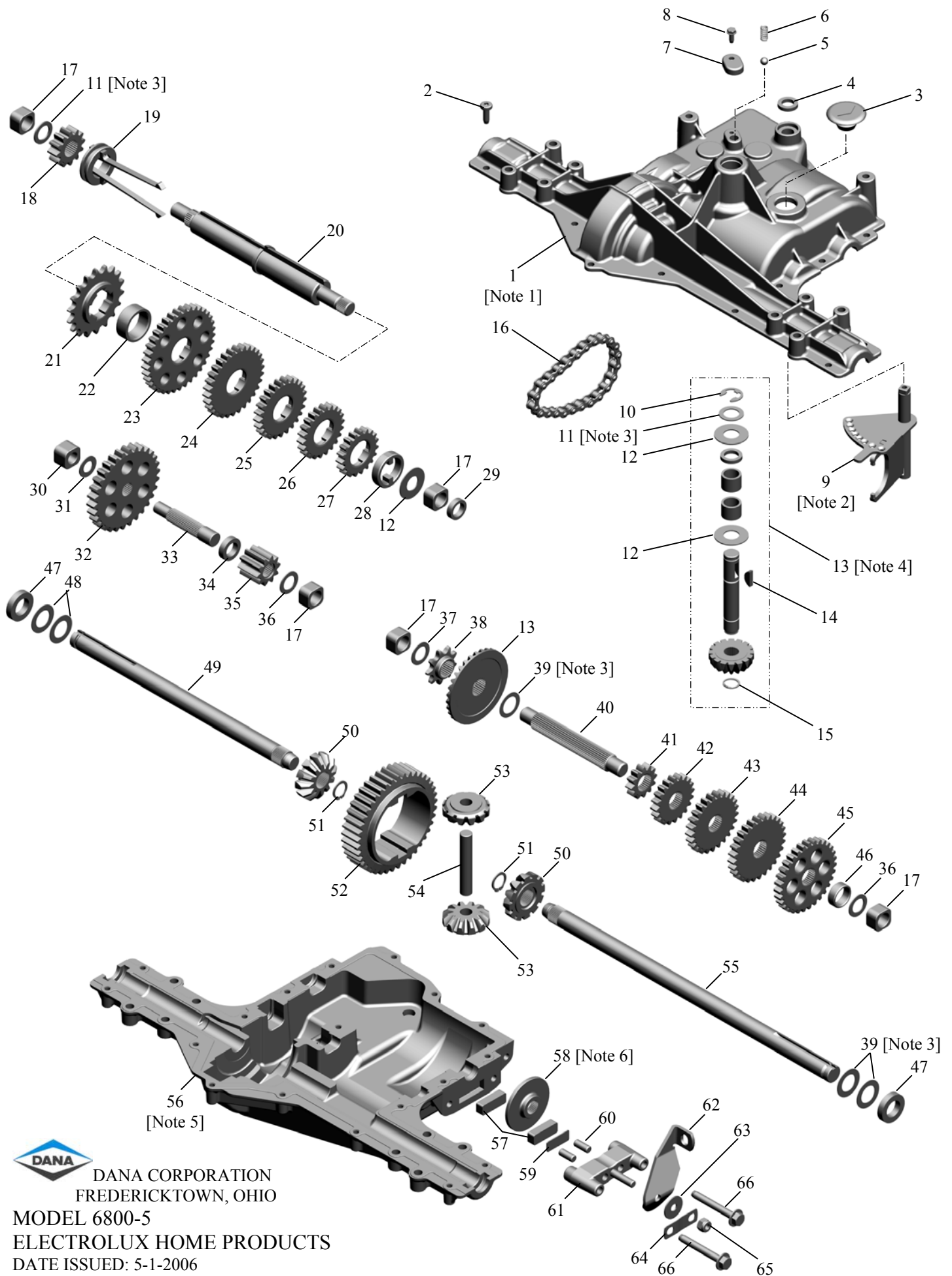
[3] Use in various combinations to maintain proper clearances.

[4] Includes 1106, 1746, 3876, 3956, 4689, 5272, 7073, 7074, 7057.

[5] Silicone Sealant to be applied between Upper and Lower Housings (use Loctite Ultra Gray Silicone 5699 or equivalent).

[6] Anti-Seize lubricant to be applied to id of 7103 Brake Disc (use Bostik Never-Seez or equivalent).

[7] Refill Transaxle with (10) ounces 80W90 gear lube.



DANA CORPORATION
 FREDERICKTOWN, OHIO

MODEL 6800-5
 ELECTROLUX HOME PRODUCTS
 DATE ISSUED: 5-1-2006