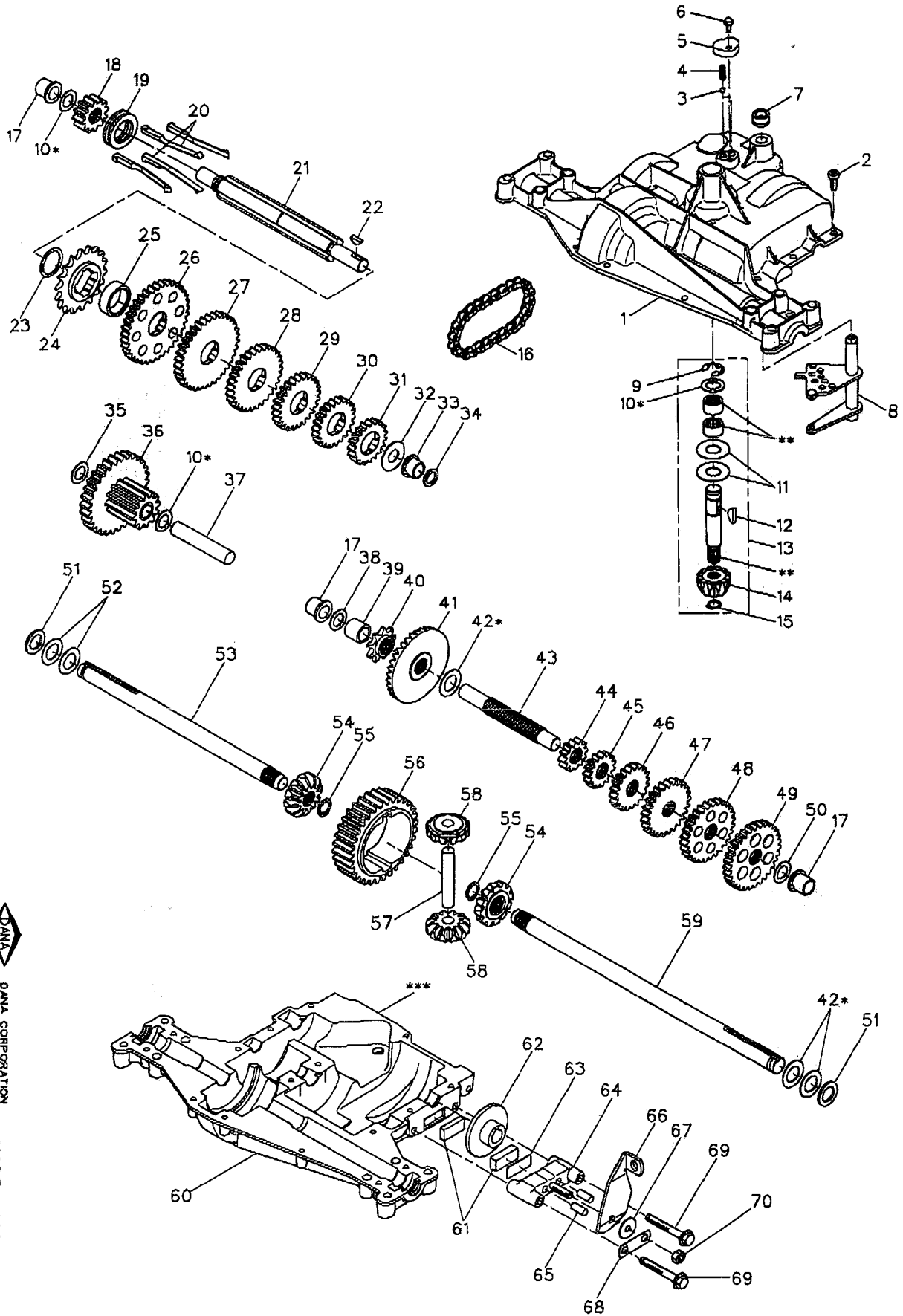



4360-122




  
 DANA CORPORATION
   
 FREDERICKTOWN, OHIO
   
 MODEL 4360-122
   
 FRIGIDAIRE HOME PRODUCTS 161451

4360-122



SPICER OUTDOOR POWER EQUIPMENT COMPONENTS DIVISION

DANA CORPORATION

FREDERICKTOWN, OH 43019

SERVICE PARTS REPLACEMENT LISTING

*Attn  
Tammy*

MODEL NO.: 4360-122

DATE ISSUED: 7/25/1997

DESCRIPTION: Six Speed Linear Shift Transaxle

CUSTOMER NAME & PART NO.: Frigidaire Home Products #161451

Key No.	Dana Part No.	F.H.P. Part No.	No. Req'd.	Description
1	5305-P		1	Housing, Upper
2	1919	2274J	16	Screw, Tapping, 1/4-20 X .734
3	5112	134400	2	Ball, Detent
4	3626	105904X	2	Spring, Detent
5	5584	160942	1	Cover, Detent
6	840052		1	Screw, Tapping, No. 10-24 X .482
7	3789	108727X	1	V-Ring
8	4604	134788	1	Assy, Kit, Shifter
9	1106	2225J	1	Ring, Retaining
10	4689	134793	3*	Assy, Kit, Shim, .625 Shaft
11	3876	120415X	2	Washer, Plain, .632 X 1.38 X .046
12	1746	142674	1	Key, Woodruff, No. 606
13	6250		1	Assy, Kit, Input Shaft
14	5620		1	Pinion, Bevel, 12T
15	3624	105909X	1	Ring, Retaining
16	3625	105910X	1	Chain, 24 Pitches
17	5510	148266	3	Bearing, Flange
18	5627	160943	1	Gear, Spur, 12T
19	5303	138246	1	Collar, Clutch
20	6251		1	Assy, Kit, Clutch Keys
21	5738		1	Shaft, Intermediate
22	1375	2244J	1	Key, Woodruff, No. 61
23	3627	105916X	1	Ring, Retaining
24	3830	120470X	1	Sprocket, 18T
25	3841	110070X	1	Spacer, 1.131 X 1.45 X .494
26	5365	142677	1	Gear, Spur, 37T
27	5407	142681	1	Gear, Spur, 35T
28	3867	124644X	1	Gear, Spur, 30T
29	3783	108980X	1	Gear, Spur, 25T
30	3869	120406X	1	Gear, Spur, 22T
31	5202	134796	1	Gear, Spur, 19T
32	3628	105925X	1	Washer, Plain, .640 X 1.37 X .061
33	5511	148268	1	Bearing, Flange
34	5508	148269	1	Seal, Oil
35	1425	2228J	1	Washer, Plain, .632 X 1.00 X .046
36	6358		1	Assy, Gear, Comb., 12T & 30T

Model No. 4360-122

Page 2

Key No.	Dana Part No.	F.H.P. Part No.	No. Req'd.	Description
37	3967	124639X	1	Shaft, Idler
38	1708	3422J	1	Washer, Plain, .632 X 1.00 X .015
39	3901	120472X	1	Spacer, .633 X .87 X .755
40	3645	105928X	1	Sprocket, 9T
41	5621		1	Gear, Bevel, 36T
42	4691	134394	2*	Assy, Kit, Shim, .750 Shaft
43	3882	120473X	1	Shaft, Drive
44	5364	142678	1	Gear, Spur, 12T
45	5406	143697	1	Gear, Spur, 15T
46	3866	124641X	1	Gear, Spur, 20T
47	3719	106589X	1	Gear, Spur, 25T
48	3868	120408X	1	Gear, Spur, 28T
49	3683	105937X	1	Gear, Spur, 31T
50	1145	2226J	1	Washer, Plain, .632 X 1.00 X .060
51	5130	134401	2	Washer, Neoprene
52	3184	2264J	2	Washer, Plain, .758 X 1.25 X .031
53	5528-1	160946	1	Axle, LH
54	5622		2	Gear, Miter, 12T, Splined
55	5270	160948	2	Ring, Retaining
56	3839	110071X	1	Gear, Spur, 32T
57	3919	120952X	1	Shaft, Cross
58	5623		2	Gear, Miter, 12T, Idler
59	5528-2	160950	1	Axle, RH
60	6407		1	Assy, Kit, Housing, Lower
61	4836		1	Assy, Kit, Puck Friction
62	5809		1	Disc, Brake
63	3758	108989X	1	Spacer, Brake Puck
64	5554	160952	1	Jaw, Brake
65	3843	120954X	2	Pin, Dowel
66	5285	138244	1	Lever, Actuating
67	3760	108996X	1	Washer, Plain, .321 X 1.00 X .055
68	5555	160954	1	Bracket, Anti-Rotation
69	5562	160953	2	Screw, Tapping, 5/16-18 X 2.35
70	3847	73810500	1	Nut, Lock, 5/16-24
71	4300	120416X	1	Grease

\* Use in various combinations to maintain proper clearances.

\*\* Order Key No. 13.

\*\*\* Silicone Sealant to be applied between Upper and Lower Housings (use Loctite Ultra Gray Silicone 5699 or equivalent).