

IPL, Hydro Gear Transaxle, 2001-03, 106 27 24-61

319-0650, 331-0650, 314-0510, 321-0510, 322-0510

# Hydro Gear Transaxle

Spare parts

Ersatzteile

Pièces détachées

Reserve onderdelen

Repuestos

Reservdelar



# REPAIR PARTS

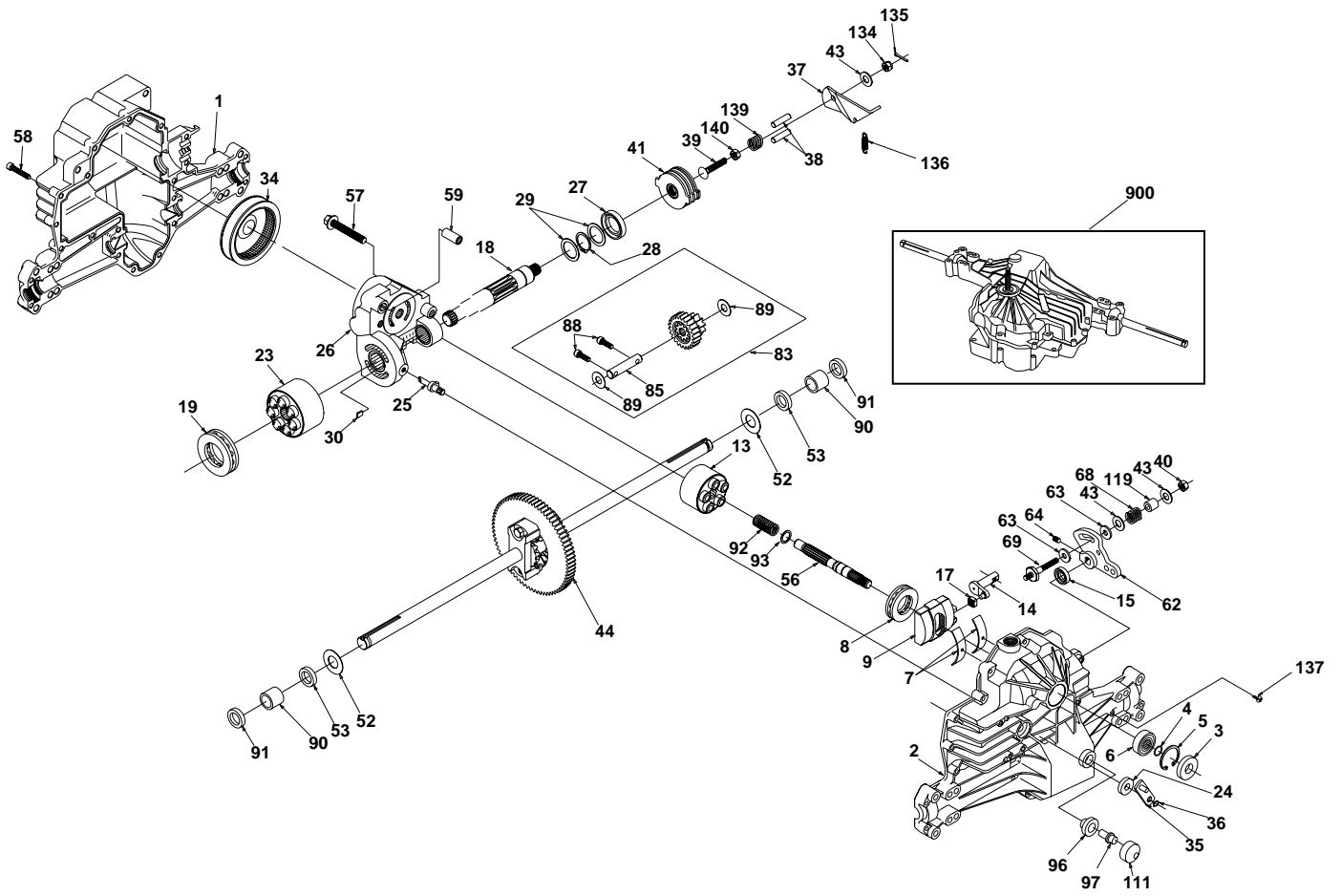
## HYDRO GEAR TRANSAXLE – MODEL NUMBER 319-0650

KEY NO.	PART NO	DESCRIPTION	KEY NO.	PART NO	DESCRIPTION
1	532 14 29-30	Housing, Lower	37	532 14 29-54	Arm, Actuating
2	532 14 29-31	Assembly, Upper Housing	38	532 14 29-55	Pin, Actuating
3	532 14 29-32	Seal, Lip	39	532 15 07-77	Bolt 5/16-24 x 1-3/4
4	532 14 29-28	Ring, Wire Retaining	40	532 15 07-78	Locknut, Hex 5/16-24 UNJC
5	532 14 29-33	Ring, Retaining	41	532 14 29-58	Brake Rotor/Stator Kit
6	532 14 29-34	Bearing, Shaft Ball	43	532 14 28-84	Washer 7/16 x 7/8 x .060
7	532 14 29-35	Bearing, Cradle	44	532 15 08-29	Differential Assembly
8	532 15 07-71	Bearing, Thrust 30 x 52 x 13	52	532 14 29-91	Washer 3/4 x 1.5 x .13
9	532 14 29-37	Swashplate, Variable	53	532 14 29-61	Seal .75 x 1.25 x .250
13	532 14 29-38	Block, Cylinder Assembly	56	532 14 29-63	Shaft, Input
14	532 14 29-39	Arm, Trunnion	58	532 14 29-64	Bolt 1/4-20 x 1.38
15	532 14 29-40	Seal, Lip	59	532 14 29-65	Pin .5 OD x .43 ID x .750
17	532 14 29-41	Guide, Slot	62	532 14 29-66	Arm, Control
18	532 15 07-72	Shaft, Motor	63	532 14 29-67	Puck, Dampener
19	532 15 07-73	Bearing, Thrust 42 x 68 x 16	64	532 14 29-20	Set Screw
23	532 14 29-44	Block, Cylinder Assembly	68	532 14 29-69	Spring
24	532 14 29-45	Seal, Lip 10 x 25 x 7	69	532 14 46-10	Stud 5/16-24
25	532 14 29-46	Actuator, Bypass	83	532 14 29-71	Jackshaft Assembly
26	532 15 07-74	Center Section Assembly Kit	85	532 15 08-06	Jackshaft
27	532 14 29-48	Seal, Lip 26 x 42 x 8	88	532 14 29-73	Screw, Cap
28	532 14 29-49	Ring, Retaining	89	532 14 29-74	Washer 7/16 x 1 x 1/2
29	532 14 29-50	Washer 26 x 35 x 1	90	532 14 29-75	Sleeve Bearing
30	532 15 07-87	Plate, Bypass	91	532 14 29-76	Seal, Wiper
34	532 14 29-51	Oil Filter Element	92	532 14 29-77	Spring, Block
35	532 14 29-52	Arm, Bypass	93	532 14 29-78	Washer, Block Thrust
36	532 14 29-53	Ring, Retaining	113	532 14 29-17	Cap, Vent Assembly
			114	532 14 29-18	Fitting, O-Ring Assembly
			119	532 14 29-80	Spacer
			134	532 14 46-07	Nut, Castle 5/16-24
			135	532 14 46-08	Pin, Cotter
			139	532 15 07-75	Spring, Compression
			140	532 15 07-76	Nut, Hex 5/16-24
			900	532 15 00-71	Transaxle, Complete

NOTE: All component dimensions given in U.S. inches  
1 inch = 25.4 mm

# REPAIR PARTS

## HYDRO GEAR TRANSAXLE - MODEL NUMBER 331-0650



# REPAIR PARTS

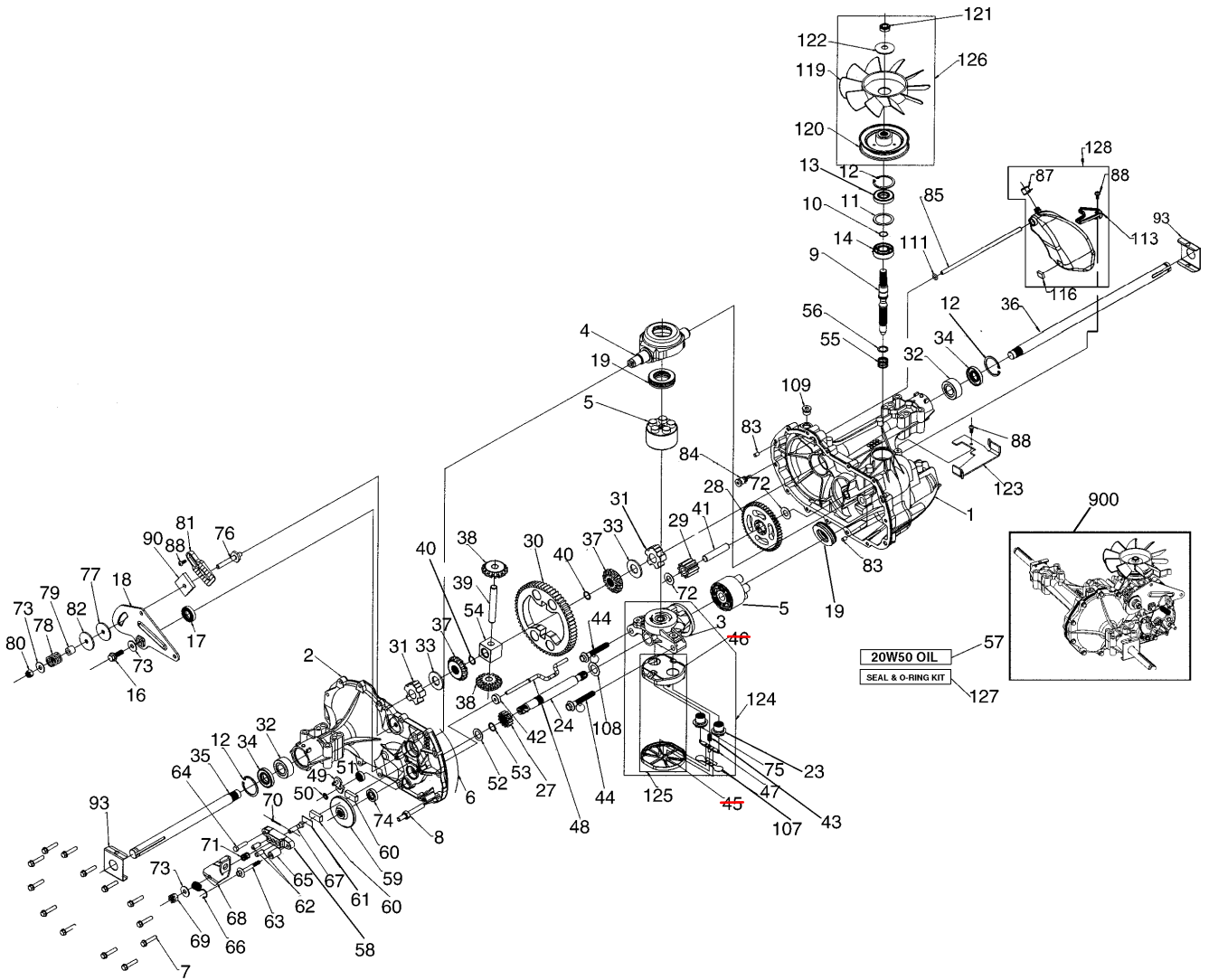
## HYDRO GEAR TRANSAXLE

### - MODEL NUMBER 331-0650

KEY PART			KEY PART		
NO.	NO.	DESCRIPTION	NO.	NO.	DESCRIPTION
1	532 14 29-30	RmHousing, Lower	43	532 14 28-84	Washer – 7/16x7/8x0.060
2	532 16 90-49	Assembly, Upper Housing	44	532 15 08-29	Differential Ass'y
3	532 14 29-32	Seal - Lip	52	532 14 29-91	Washer - 3/4x1.5x0.13
4	532 14 29-28	Ring - Wire Retaining	53	532 14 29-61	Seal - 0.75x1.25x0.250
5	532 14 29-33	Ring - Retaining	56	532 14 29-63	Shaft - Input
6	532 14 29-34	Bearing - Shaft Ball	57	532 15 07-97	Bolt - 3/8-24x2.5
7	532 14 29-35	Bearing - Cradle	58	532 14 29-64	Bolt - 1/4-20x1.38
8	532 15 07-71	Bearing - Thrust 30x52x13	59	532 14 29-65	Pin - 0.5 Odx 0.43 ldx0.750
9	532 14 29-37	Swashplate - Variable	62	532 14 29-66	Arm - Control
13	532 16 90-50	Block - Cylinder Ass'y	63	532 14 29-67	Puck - Dampener
14	532 14 99-39	Arm - Trunnion	64	532 14 29-20	Set Screw
15	532 14 29-40	Seal - Lip	68	532 14 29-69	Spring
17	532 14 29-41	Guide - Slot	69	532 16 11-34	5/16-24 Stud
18	532 15 07-72	Shaft - Motor	83	532 16 90-53	Jack Shaft/Pinion Gear
<b>Correction: 532 15 07-73</b>	<b>532 50 77-3</b>	Bearing - Thrust 42x68x16	85	532 15 08-06	Jack Shaft
23	532 14 29-44	Block - Cylinder (Motor)	88	532 14 29-73	Capscrew 6mx20 Lg
24	532 14 29-45	Seal - Lip 10x25x7	89	532 14 29-74	Washer 7/16x1x0.5
25	532 14 29-46	Actuator - Bypass	90	532 14 29-75	Sleeve Bearing
26	532 16 90-51	Centersection Ass'y	91	532 16 90-54	Seal - Lip 0.75x1.00x0.158
27	532 14 29-48	Seal - Lip 26x42x8	92	532 14 29-77	Spring - Block
28	532 14 29-49	Ring - Retaining	93	532 14 29-78	Washer - Block Thrust
29	532 14 29-50	Washer - 26x35x1	96	532 16 90-55	Bushing - Vent
30	532 15 07-87	Bypass Plate	97	532 16 90-56	Vent
34	532 14 29-51	Oil Filter Element	111	532 16 90-57	Vent
35	532 14 29-52	Arm - Bypass	119	532 14 29-80	Spacer
36	532 14 29-53	Ring - Retaining	134	532 14 28-85	Castle Nut - 5/16-24
37	532 16 90-52	Arm - Brake	135	532 14 28-86	Cotter Pin
38	532 14 29-55	Pin - Actuating	136	532 16 90-58	Extension Spring
39	532 15 07-77	Bolt - 5/16-18x1-3/4	137	532 16 11-75	Screw - 10-32x1/2
40	532 15 07-78	Nut - Hex Lock 5/16- 24 Unjc	139	532 15 07-75	Compression Spring
41	532 14 29-58	Brake Rotor/Stator Kit	140	532 15 07-76	Nut - Hex 5/16-18
			900	532 16 57-98	Complete transaxle.

NOTE: All component dimensions given in U.S. inches 1 inch = 25.4 mm

# HYDRO-GEAR TRANSAXLE - - MODEL NUMBER 314-0510



# HYDRO-GEAR TRANSAXLE - - MODEL NUMBER 314-0510

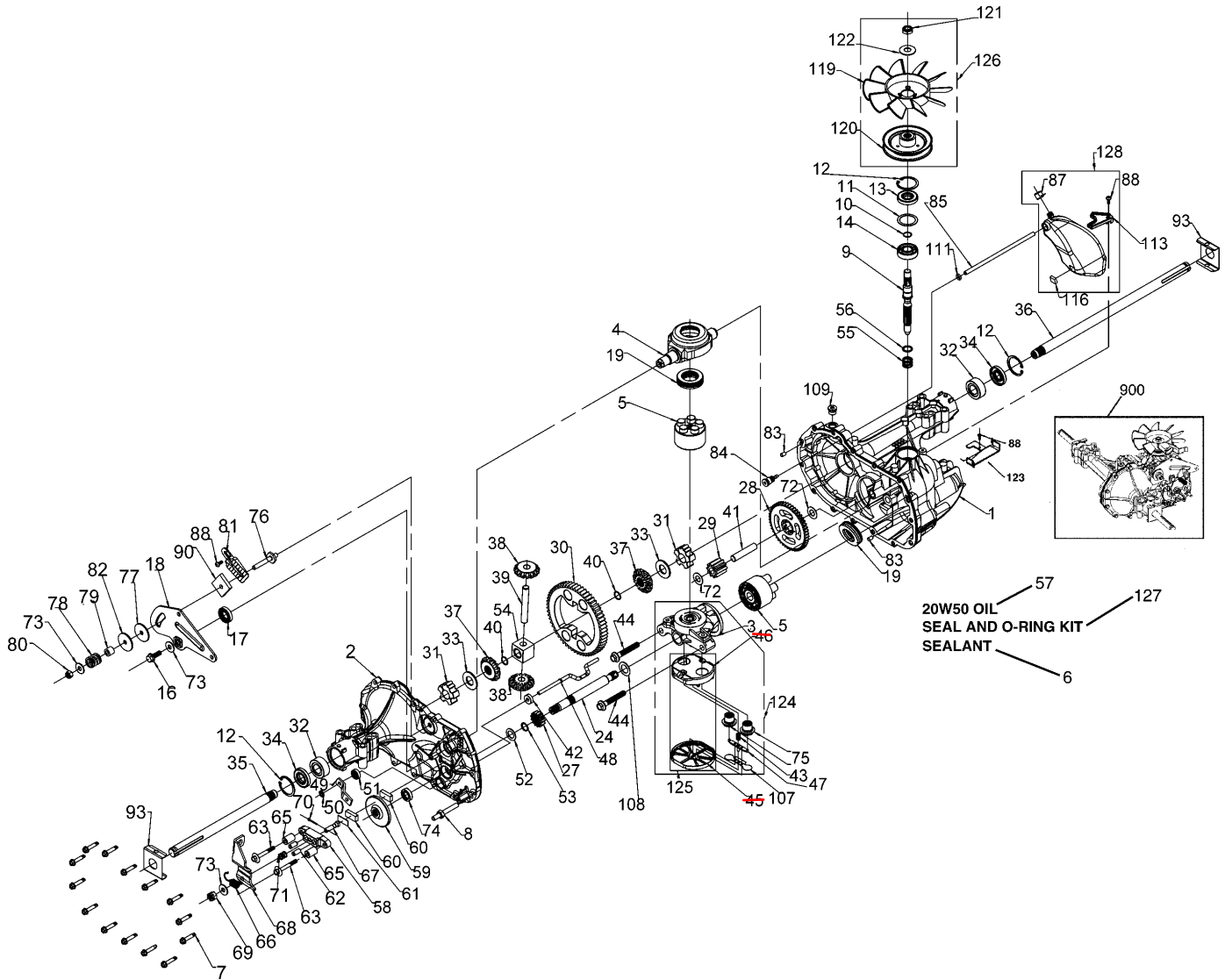
KEY PART NO. NO.	DESCRIPTION	KEY PART NO. NO.	DESCRIPTION	
1	532 17 03-51	59	532 17 04-08	Rotor, Brake
2	532 17 03-52	60	532 14 28-83	Brake Puck
3	532 17 03-53	61	532 14 28-82	Puck Plate
4	532 17 03-54	62	532 14 28-87	Brake Actuating Pin
5	532 16 98-98	63	532 17 04-10	Hfhcs 1/4-20x2 W/Patch,SpecialFlange
6	<del>532 17 03-55</del>	64	532 14 28-92	Bolt, 1/4-20 X 1 W/Patch
7	532 17 03-56	65	532 17 04-11	Spacer
8	532 17 03-57	66	532 17 04-12	Spring, Brake Arm Bias
9	532 17 03-58	67	532 17 04-13	Sq. Hd. Bolt 5/16-24-Ribbed
10	532 17 03-59	68	532 17 04-14	Arm, Brake
11	532 17 03-60	69	532 17 04-15	Slotted Hex Nut 5/16-24
12	532 16 98-70	70	532 17 04-16	Cotter Pin 3/32 X 3/4
13	532 17 03-61	71	532 17 04-17	Compression Spring Brake Anti-Drag
14	532 16 98-69	72	532 17 04-18	Washer, Ht .5 I.D. X 1 O.D. X .032
16	532 17 03-62	73	532 14 28-84	Flat - Washer 11/32 I.D. X 7/8 O.D
17	532 17 03-63	74	532 17 04-19	Oil Seal .625 X 1.0 X .25
18	532 17 03-64	75	532 17 04-20	Check Plug Assembly, .027, Washer
19	532 15 07-71	76	532 17 04-21	Stud, 5/16-24 Friction Pack
23	532 17 03-65	77	532 17 04-22	Puck, .330 X 1.50 X .0975
24	532 17 03-66	78	532 14 29-69	Spring, Helical Comp
27	532 17 03-67	79	532 14 29-80	Spacer
28	532 17 03-68	80	532 15 07-78	Hex Lock Nut 5/16-24Unjf(Nylon Insert)
29	532 17 03-69	81	532 17 04-23	Wedge, Friction Pack
30	532 17 03-70	82	532 17 04-24	Clip, Washer .316x1.50x.1046 (Plated)
31	532 17 03-71	83	532 16 11-68	Pin, Standard Headless
32	532 17 03-89	84	532 17 04-25	Fitting, 5/16 Sae 5/32 Tube
		85	532 17 04-26	Hose, Expansion Tank
33	532 14 29-91	87	532 14 29-17	Cap - Poppet Valve
34	532 17 03-90	88	532 17 04-29	Bolt, Self Tapping 10-32 X 1/2
35	532 17 03-91	90	532 17 04-30	Puck, Inner Wedge
36	532 17 03-92	93	532 17 04-31	Spring Clip - Housing Thrust
37	532 15 07-92	107	532 17 04-32	Deflector
38	532 15 07-93	108	532 17 04-33	Washer,Motor Shaft .71idx1.15odx.030thk
39	532 15 08-09	109	532 17 04-34	Plug, Sae #6
40	532 17 03-93	111	532 17 04-35	O-Ring .07 X .301 I.D.
41	532 17 03-94	113	532 17 04-37	Bracket, Support Expansion Tank
42	532 17 03-95	116	<del>532 17 04-38</del>	Silicon Sponge
43	532 17 03-96	119	532 17 04-39	Fan, 7 In.
44	532 15 07-97	120	532 17 04-40	Pulley
45	<del>532 17 03-97</del>	121	532 17 04-41	Hex Lock Nut 1/2-20 (Nylon Insert)
46	<del>532 17 03-98</del>	122	532 17 04-42	Washer, Belleville
47	<del>532 17 09-99</del>	123	532 17 04-43	Belt Keeper
48	532 17 04-00	124	532 17 04-44	Center Section-Filter-Bypass Assembly
49	532 17 04-01	125	532 17 04-45	Filter Assembly
50	532 17 04-02	126	532 17 04-46	Fan - Pulley Service Assembly
51	532 17 04-03	127	532 17 04-47	Seal - O-Ring Kit
52	532 17 04-04	128	532 17 31-65	Kit, Expansion Tank
53	532 17 04-05	900	532 16 67-68	Transaxle Complete
54	532 17 04-06			
55	532 14 29-77			
56	532 14 29-78			
57	<del>532 15 07-90</del>			
58	532 17 04-07			

**NOTE:** All component dimensions given in U.S. inches  
1 inch = 25.4 mm

**Key No.**

45 and 46 replaced by Key no. 125, Filter Assembly 532 17 04-45

# HYDRO-GEAR TRANSAXLE - - MODEL NUMBER 321-0510





## HYDRO-GEAR TRANSAXLE - - MODEL NUMBER 321-0510

KEY PART NO. NO.	DESCRIPTION	KEY PART NO. NO.	DESCRIPTION
1	532 17 03-51	60	532 14 28-83
2	532 17 03-52	61	532 14 28-82
3	532 17 03-53	62	532 14 28-87
4	532 17 03-54	63	532 17 04-10
5	532 16 98-98		
6	<del>532 17 03-55</del>	64	532 14 28-92
7	532 17 03-56	65	532 17 04-11
8	532 17 03-57	66	532 17 04-12
9	532 17 03-58	67	532 17 04-13
10	532 17 03-59	68	532 17 81-57
11	532 17 03-60	69	532 17 04-15
12	532 16 98-70	70	532 17 04-16
13	532 17 03-61	71	532 17 04-17
14	532 17 31-58	72	532 17 04-18
16	532 17 03-62	73	532 14 28-84
		74	532 17 04-19
17	532 17 03-63	75	532 17 04-20
18	532 17 03-64	76	532 17 04-21
19	532 17 31-59	77	532 17 04-22
23	532 17 036-5	78	532 14 29-69
24	532 17 03-66	79	532 14 29-80
27	532 17 03-67	80	532 15 07-78
28	532 17 03-68		
29	532 17 03-69	81	532 17 04-23
30	532 17 03-70	82	532 17 04-24
31	532 17 03-71		
32	532 17 03-89	83	532 16 11-68
		84	532 17 04-25
33	532 14 299-1	85	532 17 04-26
34	532 17 03-90	87	532 17 31-60
35	532 17 03-91	88	532 17 04-29
36	532 17 03-92	90	532 17 04-30
37	532 15 07-92	93	532 17 04-31
38	532 15 07-93	107	532 17 04-32
39	532 15 08-09	108	532 17 04-33
40	532 17 03-93		
41	532 17 03-94	109	532 17 04-34
42	532 17 03-95	111	532 17 04-35
43	532 17 03-96	113	532 17 04-37
44	532 15 07-97	116	<del>532 17 04-38</del>
45	<del>532 17 03-97</del>	119	532 17 04-39
46	<del>532 17 03-98</del>	120	532 17 81-59
47	532 17 03-99	121	532 17 04-41
48	532 17 04-00	122	532 17 04-42
49	532 17 81-56	123	532 17 81-60
50	532 17 04-02	124	532 17 04-44
51	532 17 04-03	125	532 17 04-45
52	532 17 04-04	126	532 17 84-17
53	532 17 04-05	127	532 17 04-47
54	532 17 04-06	128	532 17 31-65
55	532 14 29-77	900	<del>532 17 16-13</del>
56	532 14 29-78		
57	<del>532 15 07-98</del>		
58	532 17 04-07		
59	532 17 04-08		

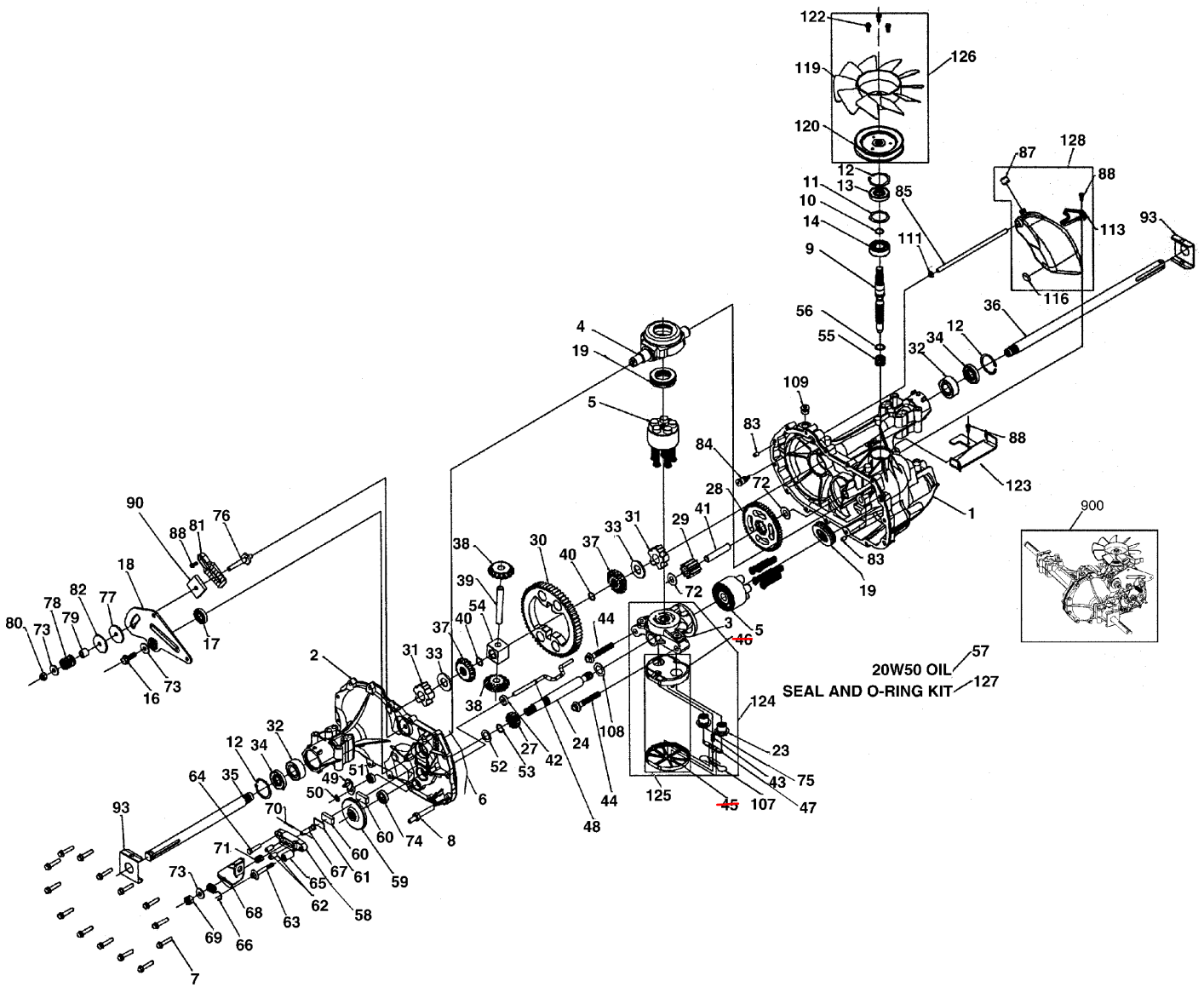
**Correction: 532 17 00-61**

**NOTE:** All component dimensions given in U.S. inches 1 inch = 25.4 mm

**Key No.**

**45 and 46 replaced by Key no. 125, Filter Assembly 532 17 04-45**

# HYDRO-GEAR TRANSAXLE - - MODEL NUMBER 322-0510



## HYDRO-GEAR TRANSAXLE - - MODEL NUMBER 322-0510

KEY PART NO.	NO.	DESCRIPTION	KEY PART NO.	NO.	DESCRIPTION
1	532 17 03-51	Main Housing, Assembly	60	532 14 28-83	Brake Puck
2	532 17 03-52	Side Housing, Assembly	61	532 14 28-82	Puck Plate
3	532 17 03-53	Center Section, Assembly	62	532 14 28-87	Brake Actuating Pin
4	532 17 03-54	Swashplate, Trunion Machined	63	532 17 04-10	HFHCS 1/4-20X2 W/Patch, Special Flange
5	532 16 98-98	Block - Assembly			
6	<del>532 17 03-55</del>	Sealant	64	532 14 28-92	Bolt, 1/4-20 X 1 W/Patch
7	532 17 03-56	Hex Flange Screw 1/4-20 X 1.25	65	532 17 04-11	Spacer
8	532 17 03-57	Stud, 5/16-24 Hex Double End	66	532 17 04-12	Spring, Brake Arm Bias
9	532 17 03-58	Shaft, Input	67	532 17 04-13	SQ. HD. BOLT 5/16-24-Ribbed
10	532 17 03-59	Ring - Retaining	68	532 17 04-14	Arm, Brake
11	532 17 03-60	Spacer	69	532 17 04-15	Slotted Hex Nut 5/16-24
12	532 16 98-70	Ring - Retaining	70	532 17 04-16	Cotter Pin 3/32 X 3/4
13	532 17 03-61	Seal, Lip .67 X 1.58 X .276	71	532 17 04-17	Compression Spring Brake Anti-Drag
14	532 17 31-58	Ball Brg 17MM ID X 40MM OD X 12MM	72	532 17 04-18	Washer, HT .5 I.D. X 1 O.D. X .032
16	532 17 03-62	Hex FLlange Head Screw 5/16-24 X 0.75	73	532 14 28-84	Flat - Washer 11/32 I.D. X 7/8 O.D.
17	532 17 03-63	Lip Seal 18 X 32 X 7	74	532 17 04-19	Oil Seal .625 X 1.0 X .25
18	532 17 03-64	Arm, Control	75	532 17 04-20	Check Plug Assembly, .027, Washer
19	532 17 31-59	Bearing, 30X52X13 Thrust	76	532 17 04-21	Stud, 5/16-24 Friction Pack
23	532 17 03-65	Check Plug Assembly, Washer	77	532 17 04-22	Puck, .330 X 1.50 X .0975
24	532 17 03-66	Shaft, Motor1	78	532 14 29-69	Spring, Helicl Comp
27	532 17 03-67	Gear - Pinion, 13T	79	532 14 29-80	Spacer
28	532 17 03-68	10T/48T GEAR	80	532 15 07-78	Hex Lock Nut 5/16-24 UNJF(Nylon Insert)
29	532 17 03-69	Gear, 10T Jackshaft	81	532 17 04-23	Wedge, Friction Pack
30	532 17 03-70	60T Bull Gear	82	532 17 04-24	Clip, Washer .316X1.50X.1046 (Plated)
31	532 17 03-71	Sleeve Bearing .75 X 1.575 X .625	83	532 16 11-68	Pin, Standard Headless
32	532 17 03-89	Sleeve Bearing (Outboard).75X1.750X.625	84	532 17 04-25	Fitting, 5/16 Sae 5/32 Tube
33	532 14 29-91	Washer, 3/4 ID X 1-1/2 OD X .13 THK	85	532 17 04-26	Hose, Expansion Tank
34	532 17 03-90	Lip Seal Axle Seal	87	532 17 31-60	Cap, Vent
35	532 17 03-91	Shaft, Axle .75 X 11.39 (Key, R.H.)	88	532 17 04-29	Bolt, Self Tapping 10-32 X 1/2
36	532 17 03-92	Shaft, Axle .75 X 16.99 (Key, L.H.)	90	532 17 04-30	Puck, Inner Wedge
37	532 15 07-92	Miter Gear (SPLINED)	93	532 17 04-31	Spring Clip - Housing Thrust
38	532 15 07-93	Miter Gear 15T (0.5 ID)	107	532 17 04-32	Deflector
39	532 15 08-09	Shaft	108	532 17 04-33	Washer, Motorshaft .71ID X 1.15OD X .030THK
40	532 17 03-93	Ring, Spiral Retaining	109	532 17 04-34	Plug, Sae #6
41	532 17 03-94	Pin, Jackshaft	111	532 17 04-35	O-ring .07 x .301 I.D.
42	532 17 03-95	Magnet, Rling	113	532 17 04-37	Bracket, Support Expansion Tank
43	532 17 03-96	Spring, Bypass	116	<del>532 17 04-38</del>	Silicon Sponge
44	532 15 07-97	Hydro mtg Screw 3/8-24 X 2.5 Long	119	532 17 31-61	Fan
45	<del>532 17 03-97</del>	<del>Filter</del>	120	532 17 04-40	Pulley
46	<del>532 17 03-98</del>	<del>Base, Filter</del>	122	532 17 31-62	#12 T.F. Screw-lindented Hex Washer Head
47	532 17 03-99	Actuator, Bypass	123	532 17 31-63	Bracket Belt Keeper
48	532 17 04-00	Rod, Bypass Actuator	124	532 17 04-44	Center Section-Filter-Bypass Assembly
49	532 17 04-01	Arm, Bypass	125	532 17 04-45	Filter Assembly
50	532 17 04-02	Retaining Ring .250 External	126	532 17 31-64	Fan - Pulley Service Aassembly
51	532 17 04-03	Seal, Lip .741 X .250 X .250 TC	127	532 17 04-47	Seal - O-ring Kit
52	532 17 04-04	Flat Washer, 5/8 ID X 1.0 OD X .05 THK	128	532 17 31-65	Kit, Expansion Tank
53	532 17 04-05	Retaining Ring	900	532 17 16-13	Transaxle, complete
54	532 17 04-06	Bearing, Center Block			
55	532 1 429-77	Spring - Helical Compression			
56	532 14 29-78	Washer			
57	<del>532 15 07-98</del>	20W-50 OIL72.8 oz			
58	532 17 04-07	Brake Yoke			
59	532 17 04-08	Rotor, Brake			

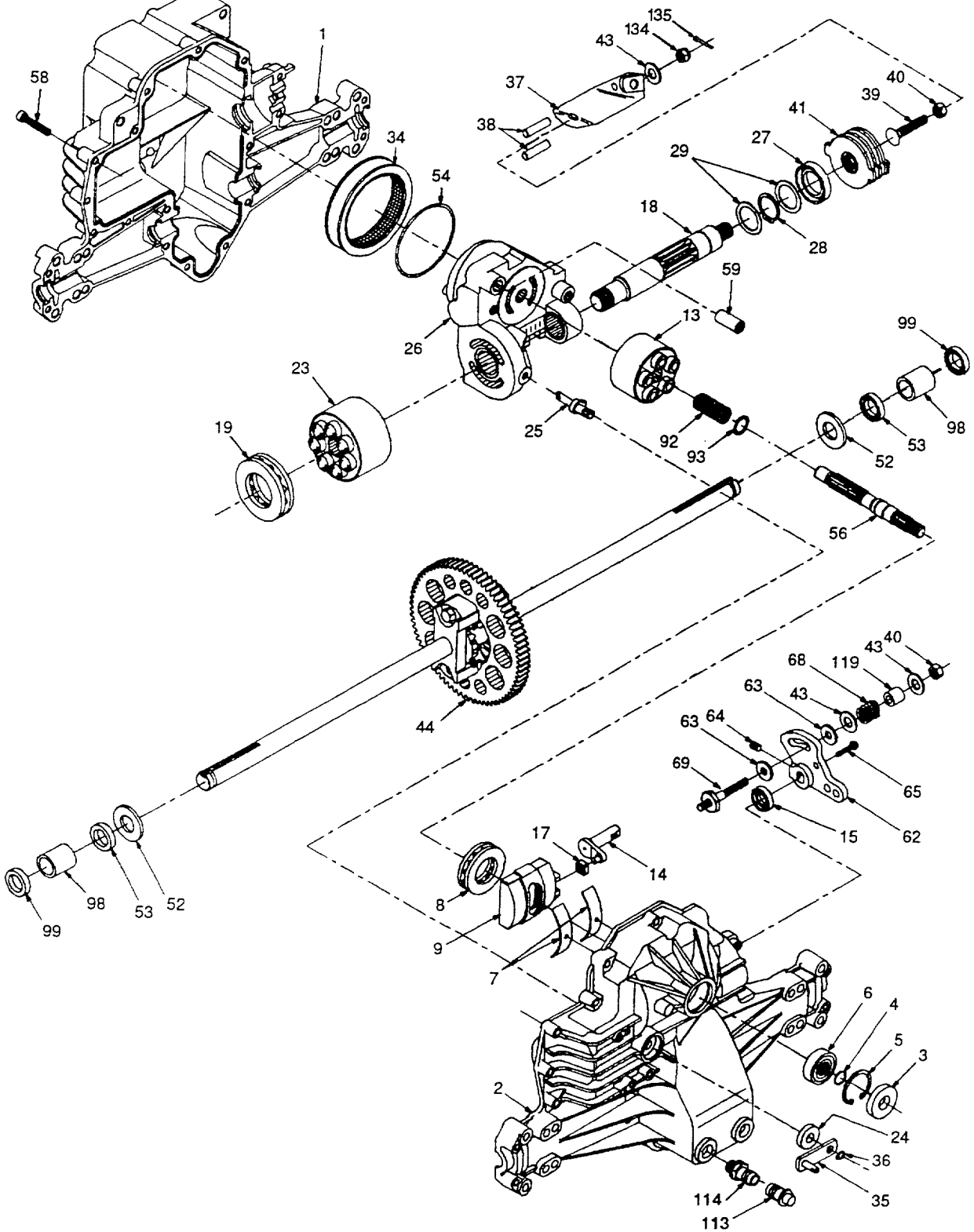
**NOTE:** All component dimensions given in U.S. inches 1 inch = 25.4 mm

**Key No.**

45 and 46 replaced by Key no. 125, Filter Assembly 532 17 04-45

# Hydro-Gear 310-0500

NOTE : Pour faciliter leur identification, les composants n'ont pas été dessinés à la même échelle



# Hydro-Gear 310-0500

REP. N°	N° DE REFERENCE	DESIGNATION	QUANT.
<b>Transmission HYDROGEAR, modèle N° 0310-0500</b>			
1	532 14 29-86	Carter inférieur	
2	532 14 29-87	Ensemble carter supérieur	
3	532 14 29-32	Joint à lèvres	
4	532 14 29-28	Jonc d'arrêt	
5	532 14 29-33	Circlip intérieur	
6	532 14 29-34	Roulement à billes	
7	532 14 29-35	Coussinet	
8	532 14 29-36	Butée à billes 30 x 52 x13	
9	532 14 29-37	Plateau oscillant	
13	532 14 29-38	Ensemble bloc cylindres	
14	532 14 29-39	Excentrique	
15	532 14 29-40	Joint à lèvres	
17	532 14 29-41	Guide	
18	532 14 29-88	Arbre moteur	
19	532 14 29-43	Butée à billes 42 x 68 16	
23	532 14 29-44	Ensemble bloc cylindres	
24	532 14 29-45	Joint à lèvres 10 x 25 x 7	
25	532 14 29-46	Commande de distributeur	
26	532 14 29-47	Ensemble section centrale	
27	532 14 29-48	Joint à lèvres 26 x 42 x 8	
28	532 14 29-49	Circlip extérieur	
29	532 14 29-50	Rondelle plate 26 x 35 x 1	
34	532 14 29-51	Elément de filtre à huile	
35	532 14 29-52	Levier de commande de roue libre	
36	532 14 29-53	Circlip extérieur	
37	532 14 29-54	Levier de commande	
38	532 14 29-55	Cheville	
39	532 14 29-56	Vis 5/16-24 x 1-3/4	
40	532 14 29-57	Ecrou H autofreiné 5/16-24 UNJC	
41	532 14 29-58	Ensemble frein de rotor et de stator	
43	532 14 28-84	Rondelle plate 7/16 x 7/8 x 0.060	
44	532 14 29-90	Ensemble différentiel	
52	532 14 29-91	Rondelle plate 3/4 x 1.5 x 0.13	
53	532 14 29-61	Joint 0.75 x 1.25 x 0.250	
54	532 14 29-62	Joint torique 0.103 x Ø int. 2.987	
56	532 14 29-63	Arbre d'entrée	
58	532 14 29-64	Vis 1/4-20 x 1.38	
59	532 14 29-65	Goupille Ø ext. 0.5 x Ø int. 0.43 x 0.750	
62	532 14 29-66	Levier de commande	
63	532 14 29-67	Garniture	
64	532 14 29-20	Vis de blocage	
65	532 14 29-68	Vis #8-32 x 0.875	
68	532 14 29-69	Ressort	
69	532 14 46-10	Goujon fileté 5/16-24	
92	532 14 29-77	Ressort	
93	532 14 29-78	Rondelle de butée du bloc cylindres	
98	532 14 29-93	Coussinet	

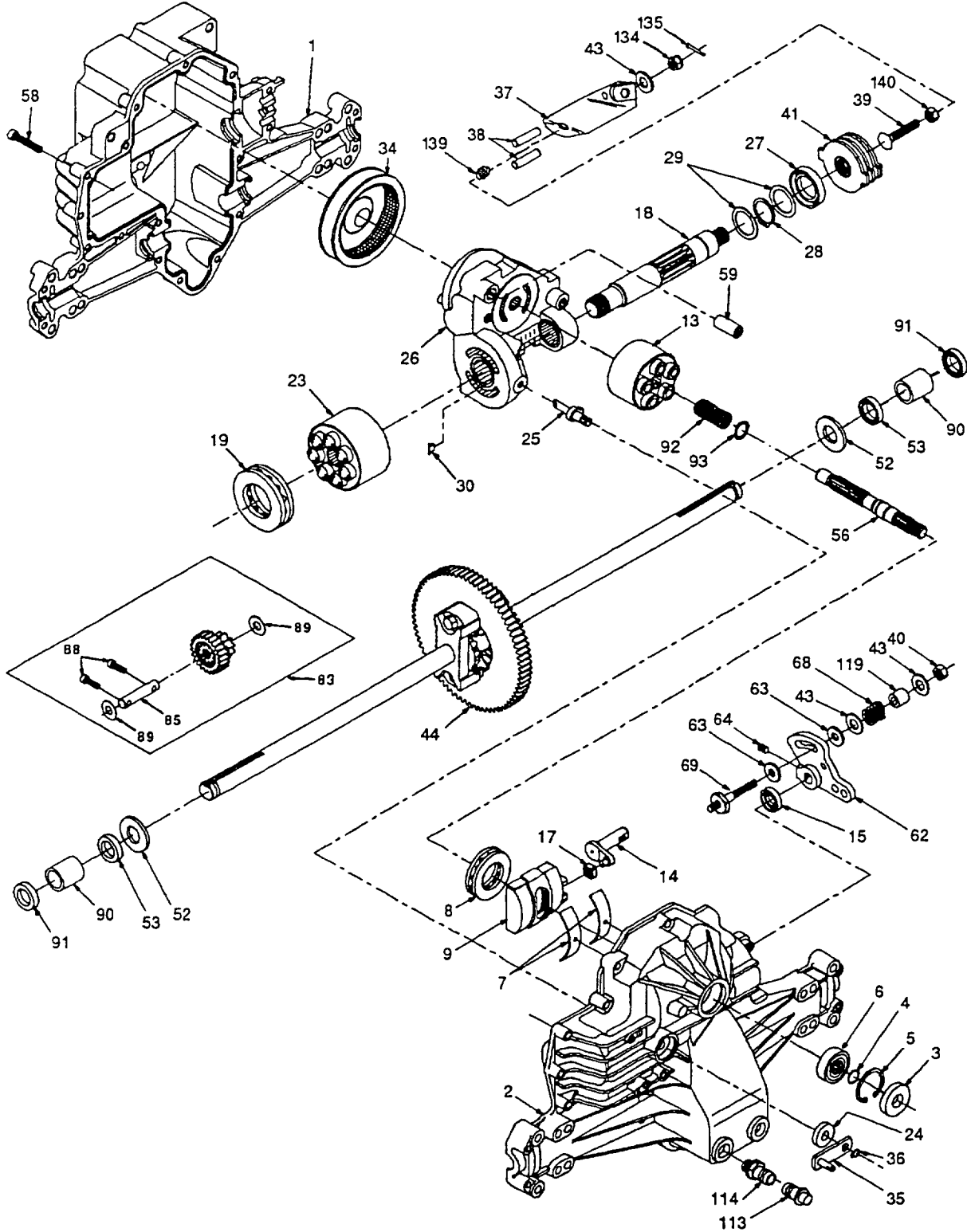
Suite page suivante

# Hydro-Gear 310-0500

REP. N°	N° DE REFERENCE	DESIGNATION	QUANT.
<b>Transmission HYDROGEAR, modèle N° 0310-0500</b>			
99	532 14 29-76	Joint racleur	
113	532 14 29-17	Chapeau, ensemble ventilation	
114	532 14 29-18	Raccord avec joint torique	
119	532 14 29-80	Douille d'écartement	
134	532 14 46-07	Ecrou H crénelé 5/16-24	
135	532 14 46-08	Goupille fendue	

# Hydro-Gear 310-0650

NOTE : Pour faciliter leur identification, les composants n'ont pas été dessinés à la même échelle



# Hydro-Gear 310-0650

REP. N°	N° DE REFERENCE	DESIGNATION	QUANT.
<b>Transmission HYDRO-GEAR, modèle N° 310-0650</b>			
1	532 14 29-30	Carter inférieur	
2	532 14 29-31	Ensemble carter supérieur	
3	532 14 29-32	Joint à lèvres	
4	532 14 29-28	Jonc d'arrêt	
5	532 14 29-33	Circlip intérieur	
6	532 14 29-34	Roulement à billes	
7	532 14 29-35	Coussinet	
8	532 15 07-71	Butée à billes 30 x 52 x13	
9	532 14 29-37	Plateau oscillant	
13	532 14 29-38	Bloc cylindres	
14	532 14 29-39	Excentrique	
15	532 14 29-40	Joint à lèvres	
17	532 14 29-41	Guide	
18	532 15 07-72	Arbre moteur	
19	532 15 07-73	Butée à billes 42 x 68 16	
23	532 14 29-44	Ensemble bloc cylindres	
24	532 14 29-45	Joint à lèvres 10 x 25 x 7	
25	532 14 29-46	Commande de distributeur	
26	532 14 29-47	Bloc central	
27	532 14 29-48	Joint à lèvres 26 x 42 x 8	
28	532 14 29-49	Circlip extérieur	
29	532 14 29-50	Rondelle plate 26 x 35 x 1	
34	532 14 29-51	Élément de filtre à huile	
35	532 14 29-52	Levier de commande de roue libre	
36	532 14 29-53	Circlip extérieur	
37	532 14 29-54	Levier de commande	
38	532 14 29-55	Cheville	
39	532 15 07-77	Vis 5/16-24 x 1-3/4	
40	532 15 07-78	Ecrou H autofreiné 5/16-24 UNJC	
41	532 14 29-58	Ensemble frein de rotor et de stator	
43	532 14 28-84	Rondelle plate 7/16 x 7/8 x 0.060	
44	532 15 08-29	Ensemble différentiel	
52	532 14 29-91	Rondelle plate 3/4 x 1.5 x .13	
53	532 14 29-61	Joint .75 x 1.25 x .250	
56	532 14 29-63	Arbre d'entrée	
58	532 14 29-64	Vis 1/4-20 x 1.38	
59	532 14 29-65	Goupille .5 x .43 x .750	
62	532 14 29-66	Levier de commande	
63	532 14 29-67	Garniture	
64	532 14 29-20	Vis de blocage	
68	532 14 29-69	Ressort	
69	532 14 46-10	Goujon fileté 5/16-24	
83	532 14 29-71	Ensemble arbre multiplicateur	
85	532 15 08-06	Arbre multiplicateur	
88	532 14 29-73	Vis à tête six pans creux	
89	532 14 29-74	Rondelle plate 7/16 x 1 x 1/2	

Suite page suivante

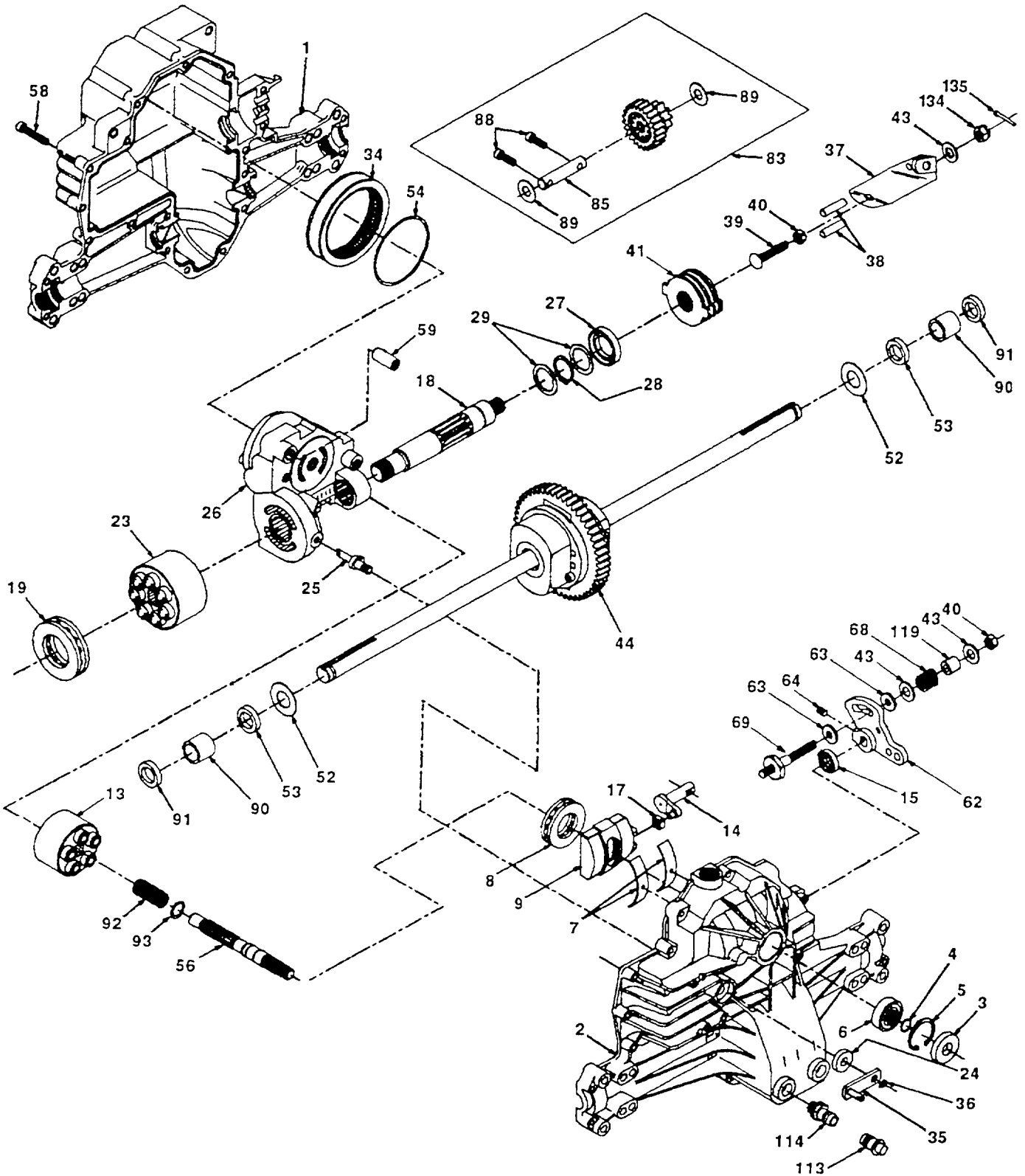


# Hydro-Gear 310-0650

REP. N°	N° DE REFERENCE	DESIGNATION	QUANT.
<b>Transmission HYDRO-GEAR, Modèle N° 310-0650</b>			
90	532 14 29-75	Manchon	
91	532 14 29-76	Bague d'étanchéité	
92	532 14 29-77	Ressort	
93	532 14 29-78	Rondelle de butée du bloc cylindres	
113	532 14 29-17	Chapeau, ensemble ventilation	
114	532 14 29-18	Raccord avec joint torique	
119	532 14 29-80	Douille d'écartement	
134	532 14 46-07	Ecrou H crénelé 5/16-24	
135	532 14 46-08	Goupille fendue	
139	532 15 07-75	Ressort de compression	
140	532 15 07-76	Ecrou H 5/16-24	

# Hydro-Gear 310-0750

NOTE : Pour faciliter leur identification, les composants n'ont pas été dessinés à la même échelle



# Hydro-Gear 310-0750

REP. N°	N° DE REFERENCE	DESIGNATION	QUANT.
<b>Transmission HYDROGEAR, modèle N° 310-0750</b>			
1	532 14 29-30	Carter inférieur	
2	532 14 29-31	Ensemble carter supérieur	
3	532 14 29-32	Joint à lèvres	
4	532 14 29-28	Jonc d'arrêt	
5	532 14 29-33	Circlip intérieur	
6	532 14 29-34	Roulement à billes	
7	532 14 29-35	Coussinet	
8	532 14 29-36	Butée à billes 30 x 52 x13	
9	532 14 29-37	Plateau oscillant	
13	532 14 29-38	Bloc cylindres	
14	532 14 29-39	Excentrique	
15	532 14 29-40	Joint à lèvres	
17	532 14 29-41	Guide	
18	532 14 29-42	Arbre moteur	
19	532 14 29-43	Butée à billes 42 x 68 16	
23	532 14 29-44	Ensemble bloc cylindres	
24	532 14 29-45	Joint à lèvres 10 x 25 x 7	
25	532 14 29-46	Commande de distributeur	
26	532 14 29-47	Bloc central	
27	532 14 29-48	Joint à lèvres 26 x 42 x 8	
28	532 14 29-49	Circlip extérieur	
29	532 14 29-50	Rondelle plate 26 x 35 x 1	
34	532 14 29-51	Elément de filtre à huile	
35	532 14 29-52	Levier de commande de roue libre	
36	532 14 29-53	Circlip extérieur	
37	532 14 29-54	Levier de commande	
38	532 14 29-55	Cheville	
39	532 14 29-56	Vis 5/16-24 x 1-3/4	
40	532 14 29-57	Ecrou H autofreiné 5/16-24 UNJC	
41	532 14 29-58	Ensemble frein de rotor et de stator	
43	532 14 28-84	Rondelle plate 7/16 x 7/8 x 0.060	
44	532 14 29-59	Ensemble différentiel	
52	532 14 29-60	Rondelle plate 3/4 x 1.5 x .03	
53	532 14 29-61	Joint .75 x 1.25 x .250	
54	532 14 29-62	Joint torique .103 x Ø int. 2.987	
56	532 14 29-63	Arbre d'entrée	
58	532 14 29-64	Vis 1/4-20 x 1.38	
59	532 14 29-65	Goupille .5 x .43 x .750	
62	532 14 29-66	Levier de commande	
63	532 14 29-67	Garniture	
64	532 14 29-20	Vis de blocage	
68	532 14 29-69	Ressort	
69	532 14 29-70	Goujon fileté 5/16-24	
83	532 14 29-71	Ensemble arbre multiplicateur	
85	532 14 29-72	Arbre multiplicateur	
88	532 14 29-73	Vis à tête six pans creux	
89	532 14 29-74	Rondelle plate	

Suite page suivante

# Hydro-Gear 310-0750

REP. N°	N° DE REFERENCE	DESIGNATION	QUANT.
<b>Transmission HYDROGEAR, modèle N° 310-0750</b>			
90	532 14 29-75	Manchon	
91	532 14 29-76	Bague d'étanchéité	
92	532 14 29-77	Ressort	
93	532 14 29-78	Rondelle de butée du bloc cylindres	
113	532 14 29-17	Chapeau, ensemble ventilation	
114	532 14 29-18	Raccord avec joint torique	
119	532 14 29-80	Douille d'écartement	
134	532 14 46-07	Ecrou H crénelé 5/16-24	
135	532 14 46-08	Goupille fendue	