

TUFF TORQ TRANSAXLE BREAKDOWN

MODEL NUMBER K46AW

MODEL NUMBER K46BA

MODEL NUMBER K46BN

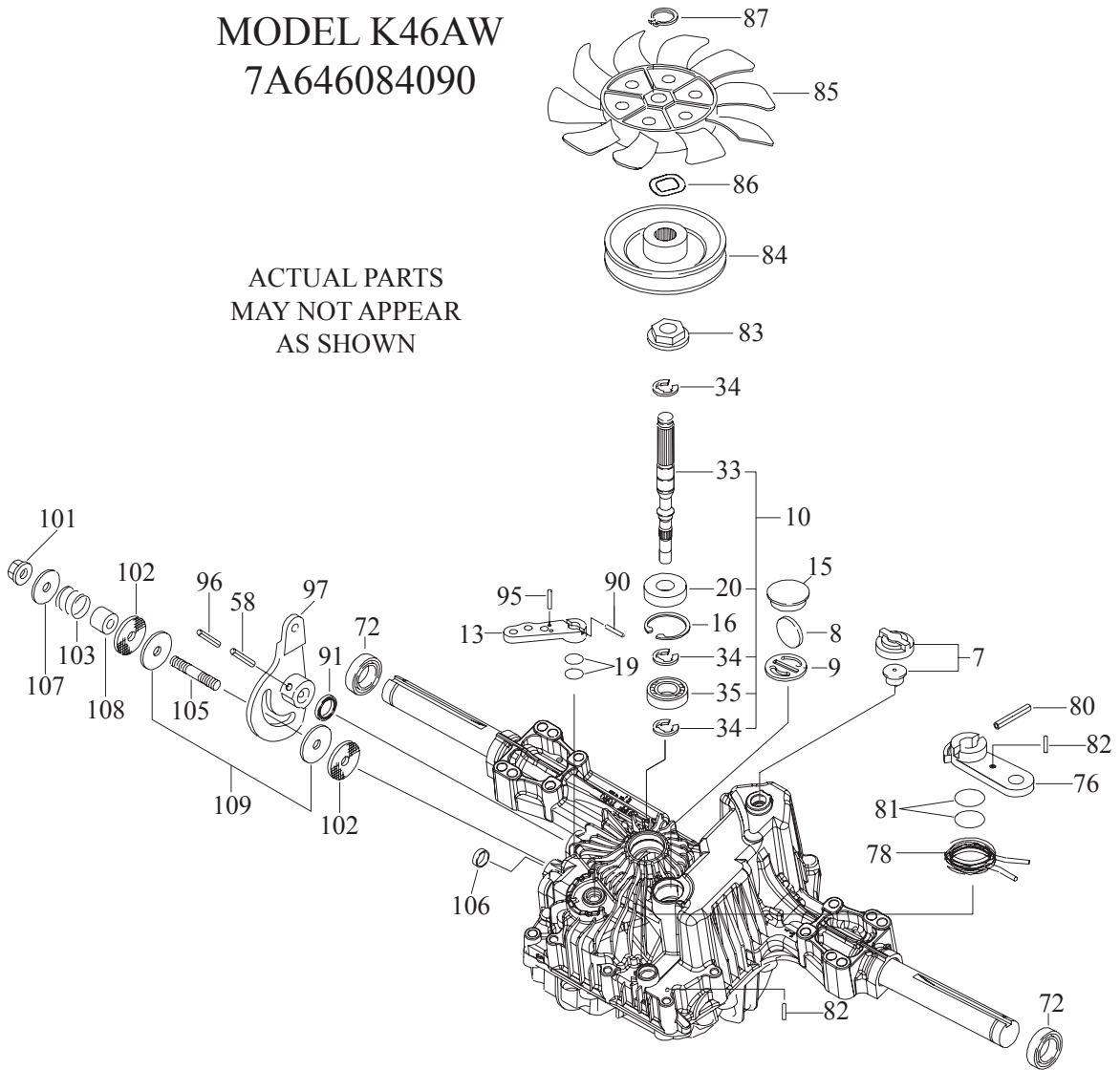
MODEL NUMBER K46BT

MODEL NUMBER K66Y

TRACTOR - - MODEL NUMBER 917.XXXXXX
TUFF TORQ TRANSAXLE - - MODEL NUMBER K46AW

MODEL K46AW
7A646084090

ACTUAL PARTS
MAY NOT APPEAR
AS SHOWN



**TRACTOR - - MODEL NUMBER 917.XXXXXX
TUFF TORQ TRANSAXLE - - MODEL NUMBER K46AW**

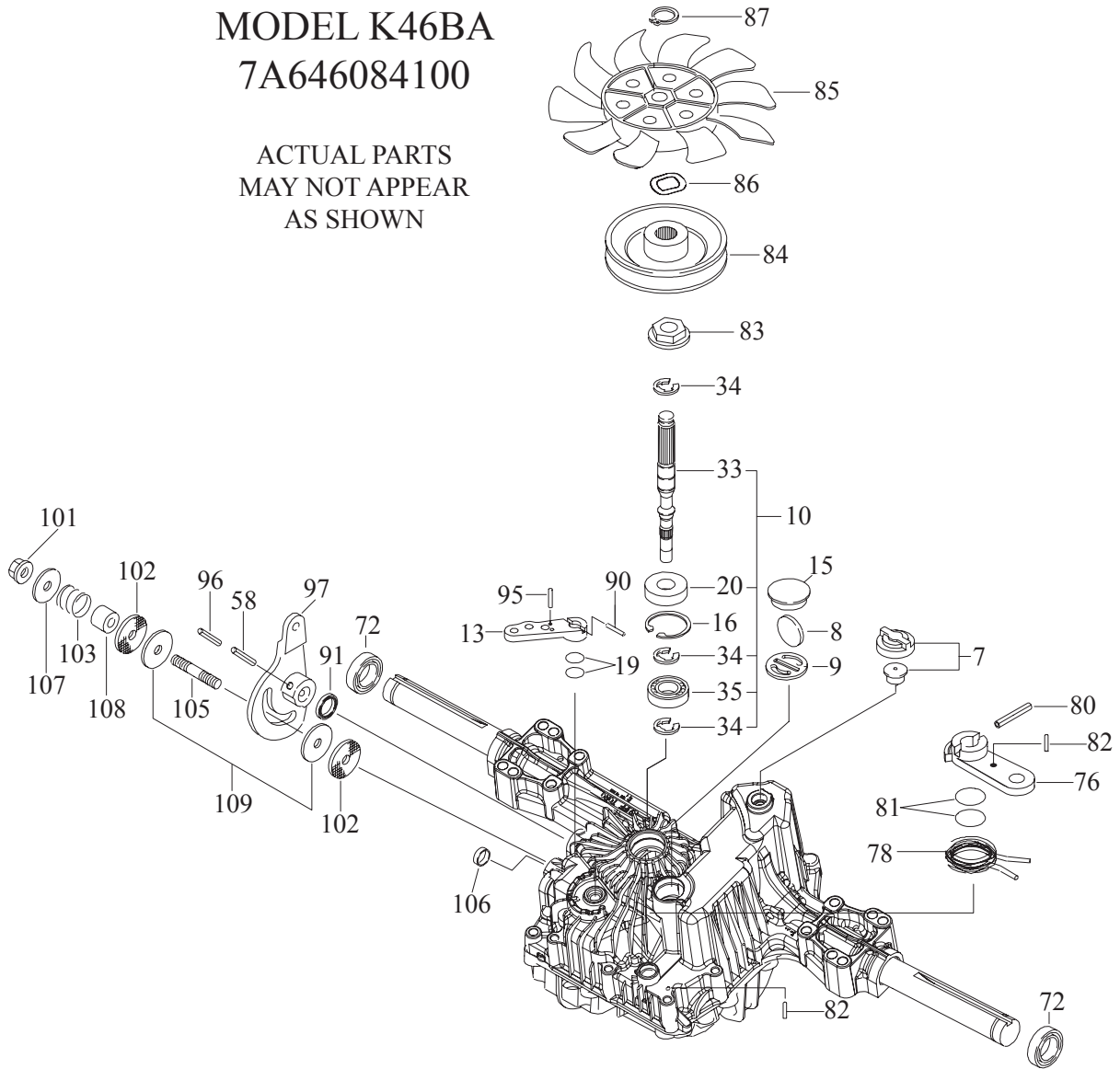
| KEY NO. | PART NO. | DESCRIPTION |
|----------------|-----------------|------------------------|
| 7 | 414395 | VENT VALVE 15 |
| 8 | 414396 | MAGNET |
| 9 | 414397 | MAGNET HOLDER |
| 10 | 415923 | PUMP SHAFT/BEARING KIT |
| 13 | 414398 | BYPASS LEVER |
| 15 | 414399 | SEALING CAP 30 |
| 16 | 414400 | SNAP RING C 35 |
| 19 | 414401 | O-RING 1A P10A |
| 20 | 414402 | SEAL TC 153507 |
| 33 | 414403 | PUMP SHAFT (STANDARD |
| 34 | 414404 | E-RING 15 |
| 35 | 414405 | BEARING 6202C3 |
| 58 | 414406 | ROLL PIN 6 * 40 |
| 72 | 414407 | SEAL 19 * 32 * 8 |
| 76 | 414408 | BRAKE LEVER |
| 78 | 414409 | BRAKE RETURN SPRING |
| 80 | 414410 | SPRING PIN 5 * 32 |
| 81 | 414411 | O-RING 1A P12 |
| 82 | 414412 | SPRING PIN 4 * 16 |
| 83 | 414413 | SPINE COLLAR |
| 84 | 414414 | PULLEY L |
| 85 | 414415 | FAN, BLACK |
| 86 | 414416 | WAVE WASHER |
| 87 | 414417 | SNAP RING |
| 90 | 414418 | SPRING PIN 3.0A * 20 |
| 91 | 414419 | OIL SEAL 16 * 22 * 03 |
| 95 | 415850 | SPRING PIN 3.0A * 16 |
| 96 | 414420 | ROLL PIN 3.5 * 40 |
| 97 | 414421 | CONTROL LEVER |
| 101 | 414216 | LOCK NUT 10 |
| 102 | 414423 | WASHER 10 * 40 * 4 |
| 103 | 414424 | SPRING |
| 105 | 414425 | STUD 10 * 60 |
| 106 | 414426 | SEALING CAP 18 |
| 107 | 414427 | WASHER 10 * 36 * 2.8 |
| 108 | 414428 | COLLAR 10 * 20 * 17 |
| 109 | 414429 | FRICITION PLATE KIT |

NOTE: All Component Dimensions Given In U.S. Inches 1 Inch = 25.4 mm

TRACTOR - - MODEL NUMBER 917.XXXXXX
TUFF TORQ TRANSAXLE - - MODEL NUMBER K46BA

MODEL K46BA
7A646084100

ACTUAL PARTS
MAY NOT APPEAR
AS SHOWN



**TRACTOR - - MODEL NUMBER 917.XXXXXX
TUFF TORQ TRANSAXLE - - MODEL NUMBER K46BA**

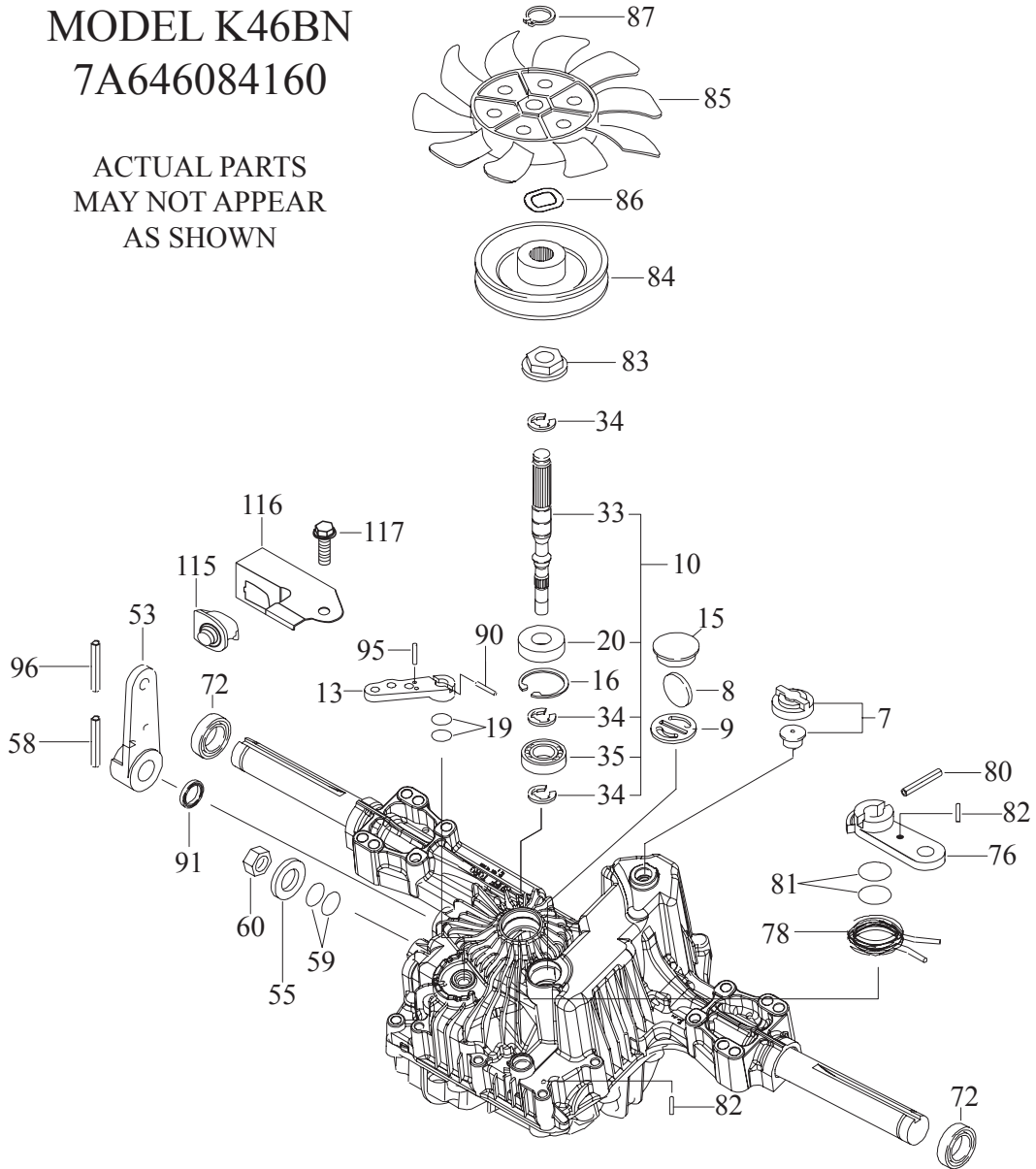
| KEY NO. | PART NO | DESCRIPTION |
|--------------------|--------------------|------------------------|
| 7 | 414395 | VENT VALVE 15 |
| 8 | 414396 | MAGNET |
| 9 | 414397 | MAGNET HOLDER |
| 10 | 415923 | PUMP SHAFT/BEARING KIT |
| 13 | 414398 | BYPASS LEVER |
| 15 | 414399 | SEALING CAP 30 |
| 16 | 414400 | SNAP RING C 35 |
| 19 | 414401 | O-RING 1A P10A |
| 20 | 414402 | SEAL TC 153507 |
| 33 | 414403 | PUMP SHAFT (STANDARD |
| 34 | 414404 | E-RING 15 |
| 35 | 414405 | BEARING 6202C3 |
| 58 | 414406 | ROLL PIN 6 * 40 |
| 72 | 414407 | SEAL 19 * 32 * 8 |
| 76 | 414408 | BRAKE LEVER |
| 78 | 414409 | BRAKE RETURN SPRING |
| 80 | 414410 | SPRING PIN 5 * 32 |
| 81 | 414411 | O-RING 1A P12 |
| 82 | 414412 | SPRING PIN 4 * 16 |
| 83 | 414413 | SPINE COLLAR |
| 84 | 414414 | PULLEY L |
| 85 | 414415 | FAN, BLACK |
| 86 | 414416 | WAVE WASHER |
| 87 | 414417 | SNAP RING |
| 90 | 414418 | SPRING PIN 3.0A * 20 |
| 91 | 414419 | OIL SEAL 16 * 22 * 03 |
| 95 | 415850 | SPRING PIN 3.0A * 16 |
| 96 | 414420 | ROLL PIN 3.5 * 40 |
| 97 | 414421 | CONTROL LEVER |
| 101 | 414216 | LOCK NUT 10 |
| 102 | 414423 | WASHER 10 * 40 * 4 |
| 103 | 414424 | SPRING |
| 105 | 414425 | STUD 10 * 60 |
| 106 | 414426 | SEALING CAP 18 |
| 107 | 414427 | WASHER 10 * 36 * 2.8 |
| 108 | 414428 | COLLAR 10 * 20 * 17 |
| 109 | 414429 | FRICTION PLATE KIT |

NOTE: All Component Dimensions Given In U.S. Inches 1 Inch = 25.4 mm

TRACTOR -- MODEL NUMBER 917.XXXXXX
TUFF TORQ TRANSAXLE -- MODEL NUMBER K46BN

MODEL K46BN
7A646084160

ACTUAL PARTS
MAY NOT APPEAR
AS SHOWN



**TRACTOR - - MODEL NUMBER 917.XXXXXX
TUFF TORQ TRANSAXLE - - MODEL NUMBER K46BN**

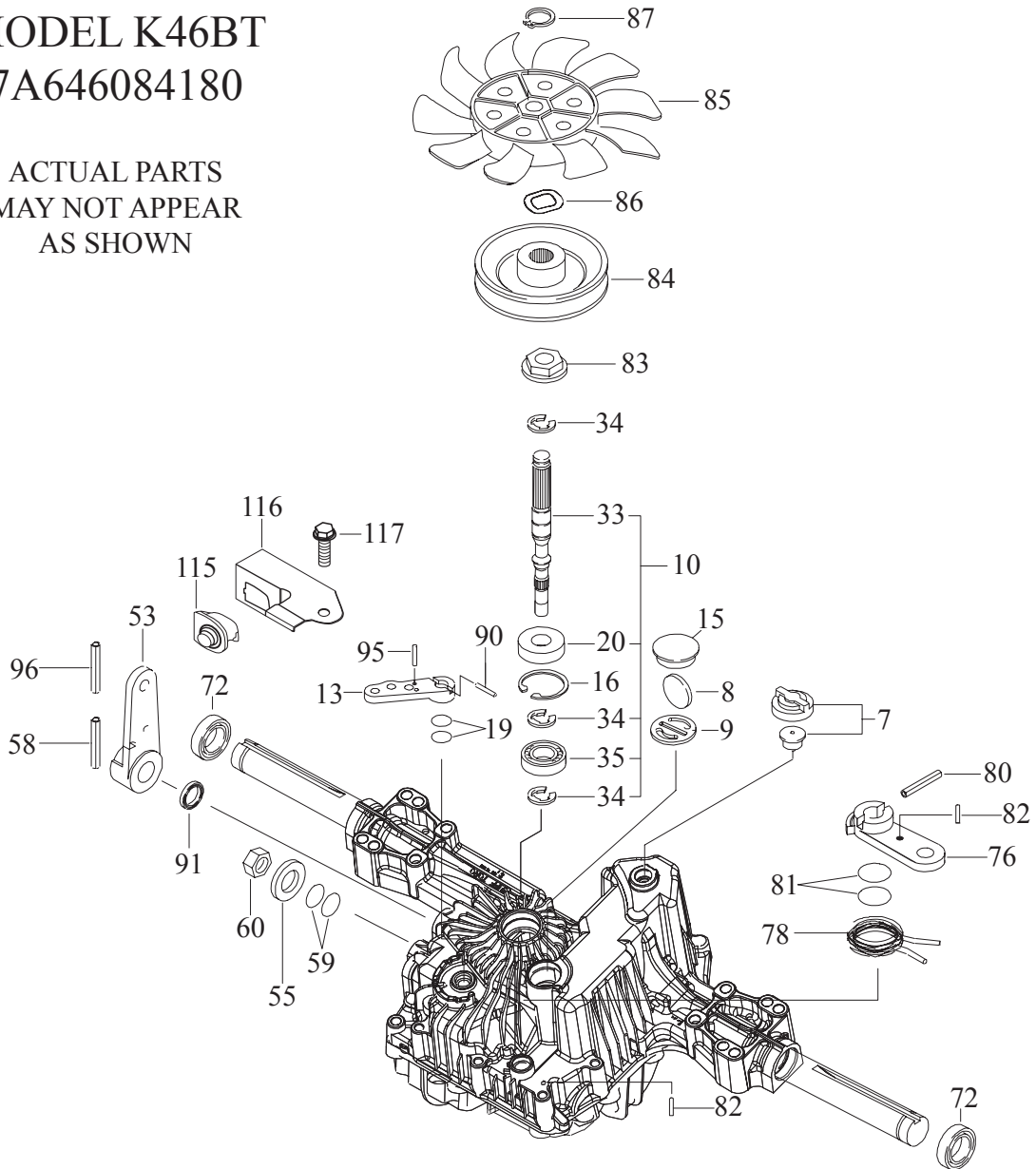
| KEY NO. | PART NO. | DESCRIPTION |
|----------------|-----------------|------------------------|
| 7 | 414395 | VENT VALVE 15 |
| 8 | 414396 | MAGNET |
| 9 | 414397 | MAGNET HOLDER |
| 10 | 415923 | PUMP SHAFT/BEARING KIT |
| 13 | 414398 | BYPASS LEVER |
| 15 | 414399 | SEALING CAP 30 |
| 16 | 414400 | SNAP RING C 35 |
| 19 | 414401 | O-RING 1A P10A |
| 20 | 414402 | SEAL TC 153507 |
| 33 | 414403 | PUMP SHAFT (STANDARD |
| 34 | 414404 | E-RING 15 |
| 35 | 414405 | BEARING 6202C3 |
| 53 | 414406 | CONTROL LEVER F |
| 55 | 415924 | WASHER 12 |
| 58 | 415925 | ROLL PIN 6 * 40 |
| 59 | 415926 | O-RING 1A P14 |
| 60 | 415927 | NUT 12 |
| 72 | 414411 | SEAL 19 * 32 * 8 |
| 76 | 414412 | BRAKE LEVER |
| 78 | 414413 | BRAKE RETURN SPRING |
| 80 | 414414 | SPRING PIN 5 * 32 |
| 81 | 414415 | O-RING 1A P12 |
| 82 | 414416 | SPRING PIN 4 * 16 |
| 83 | 414417 | SPINE COLLAR |
| 84 | 414418 | PULLEY L |
| 85 | 414419 | FAN, BLACK |
| 86 | 415850 | WAVE WASHER |
| 87 | 414420 | SNAP RING |
| 90 | 414421 | SPRING PIN 3.0A * 20 |
| 91 | 414216 | OIL SEAL 16 * 22 *.03 |
| 95 | 414423 | SPRING PIN 3.0A*16 |
| 96 | 414424 | ROLL PIN 3.5 * 40 |
| 115 | 415928 | SWITCH 6440-11 DELTA |
| 116 | 415929 | SWITCH BRACKET |
| 117 | 415930 | TAPPING SCREW 8 * 20 |

NOTE: All Component Dimensions Given In U.S. Inches 1 Inch = 25.4 mm

**TRACTOR - - MODEL NUMBER 917.XXXXXX
TUFF TORQ TRANSAXLE - - MODEL NUMBER K46BT**

**MODEL K46BT
7A646084180**

ACTUAL PARTS
MAY NOT APPEAR
AS SHOWN

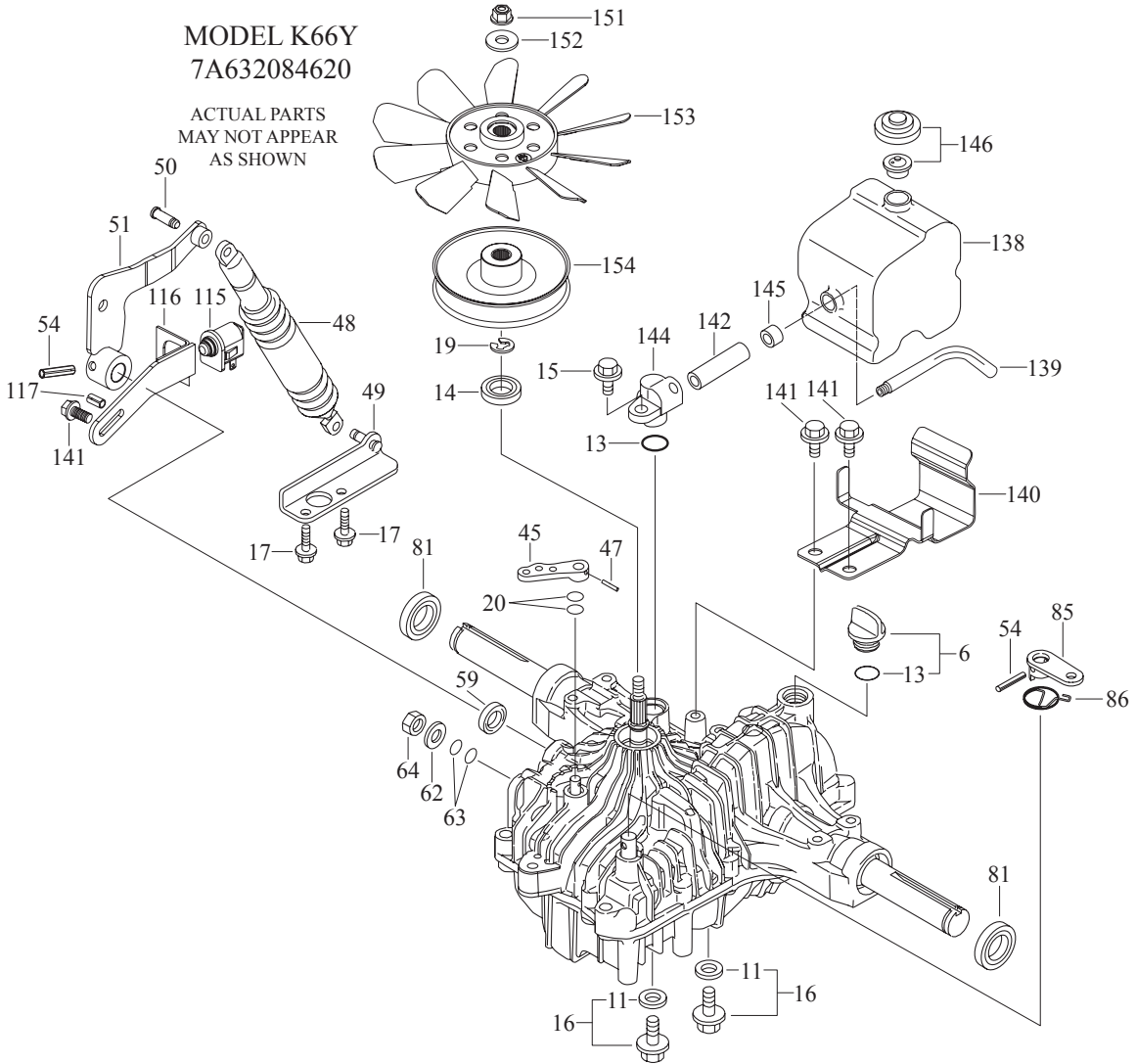


**TRACTOR - - MODEL NUMBER 917.XXXXXX
TUFF TORQ TRANSAXLE - - MODEL NUMBER K46BT**

| KEY NO. | PART NO. | DESCRIPTION |
|----------------|-----------------|------------------------|
| 7 | 414395 | VENT VALVE 15 |
| 8 | 414396 | MAGNET |
| 9 | 414397 | MAGNET HOLDER |
| 10 | 415923 | PUMP SHAFT/BEARING KIT |
| 13 | 414398 | BYPASS LEVER |
| 15 | 414399 | SEALING CAP 30 |
| 16 | 414400 | SNAP RING C 35 |
| 19 | 414401 | O-RING 1A P10A |
| 20 | 414402 | SEAL TC 153507 |
| 33 | 414403 | PUMP SHAFT (STANDARD |
| 34 | 414404 | E-RING 15 |
| 35 | 414405 | BEARING 6202C3 |
| 53 | 414406 | CONTROL LEVER F |
| 55 | 415924 | WASHER 12 |
| 58 | 415925 | ROLL PIN 6 * 40 |
| 59 | 415926 | O-RING 1A P14 |
| 60 | 415927 | NUT 12 |
| 72 | 414411 | SEAL 19 * 32 * 8 |
| 76 | 414412 | BRAKE LEVER |
| 78 | 414413 | BRAKE RETURN SPRING |
| 80 | 414414 | SPRING PIN 5 * 32 |
| 81 | 414415 | O-RING 1A P12 |
| 82 | 414416 | SPRING PIN 4 * 16 |
| 83 | 414417 | SPINE COLLAR |
| 84 | 414418 | PULLEY L |
| 85 | 414419 | FAN, BLACK |
| 86 | 415850 | WAVE WASHER |
| 87 | 414420 | SNAP RING |
| 90 | 414421 | SPRING PIN 3.0A * 20 |
| 91 | 414216 | OIL SEAL 16 * 22 *.03 |
| 95 | 414423 | SPRING PIN 3.0A*16 |
| 96 | 414424 | ROLL PIN 3.5 * 40 |
| 115 | 415928 | SWITCH 6440-11 DELTA |
| 116 | 415929 | SWITCH BRACKET |
| 117 | 415930 | TAPPING SCREW 8 * 20 |

NOTE: All Component Dimensions Given In U.S. Inches 1 Inch = 25.4 mm

**TRACTOR - - MODEL NUMBER 917.XXXXXX
TUFF TORQ TRANSAXLE - - MODEL NUMBER K66Y**



**TRACTOR - - MODEL NUMBER 917.XXXXXX
TUFF TORQ TRANSAXLE - - MODEL NUMBER K66Y**

| KEY NO. | PART NO. | DESCRIPTION |
|----------------|-----------------|----------------------|
| 6 | 414182 | OIL CAP M20B PLASTIC |
| 11 | 414183 | SEAL WASHER 10 |
| 13 | 414184 | O-RING P18 |
| 14 | 414185 | SEAL TC 153507 |
| 15 | 414186 | BOLT 8 * 20 |
| 16 | 414187 | BOLT 10 * 12 |
| 17 | 414188 | TAPPING SCREW 8 * 30 |
| 19 | 414189 | E-RING 15 |
| 20 | 414190 | O-RING 1A P10A |
| 45 | 414191 | BYPASS LEVER |
| 47 | 414192 | PIN 3.0A * 20 |
| 48 | 414193 | SHOCK ABSORBER K65 |
| 49 | 414194 | STAY |
| 50 | 414195 | PIN |
| 51 | 414196 | CONTROL LEVER |
| 54 | 414197 | ROLL PIN 6 * 40 |
| 59 | 414198 | SEAL TC 162606 |
| 62 | 414199 | WASHER 12 |
| 63 | 414200 | O-RING 1A P14 |
| 64 | 414201 | NUT 12 |
| 81 | 414202 | SEAL (S25.4 * 42 * 8 |
| 85 | 414203 | BRAKE LEVER |
| 86 | 414204 | BRAKE RETURN SPRING |
| 115 | 414205 | SWITCH 6440-11 DELTA |
| 116 | 414206 | SWITCH PLATE |
| 117 | 414207 | ROLL PIN 8 * 16 |
| 138 | 414208 | RESERVOIR TANK |
| 139 | 414209 | PIPE 8 |
| 140 | 414210 | TANK BRACKET |
| 141 | 414211 | TAPPING SCREW 8 * 20 |
| 142 | 414212 | TANK SPACER |
| 144 | 414213 | FITTING |
| 145 | 414214 | SEAL |
| 146 | 414215 | VENT VALVE 15 |
| 151 | 414216 | LOCK NUT 10 |
| 152 | 414217 | WASHER 11 * 32 * 3.2 |
| 153 | 414218 | FAN |
| 154 | 414222 | PULLEY L |

NOTE: All Component Dimensions Given In U.S. Inches 1 Inch = 25.4 mm