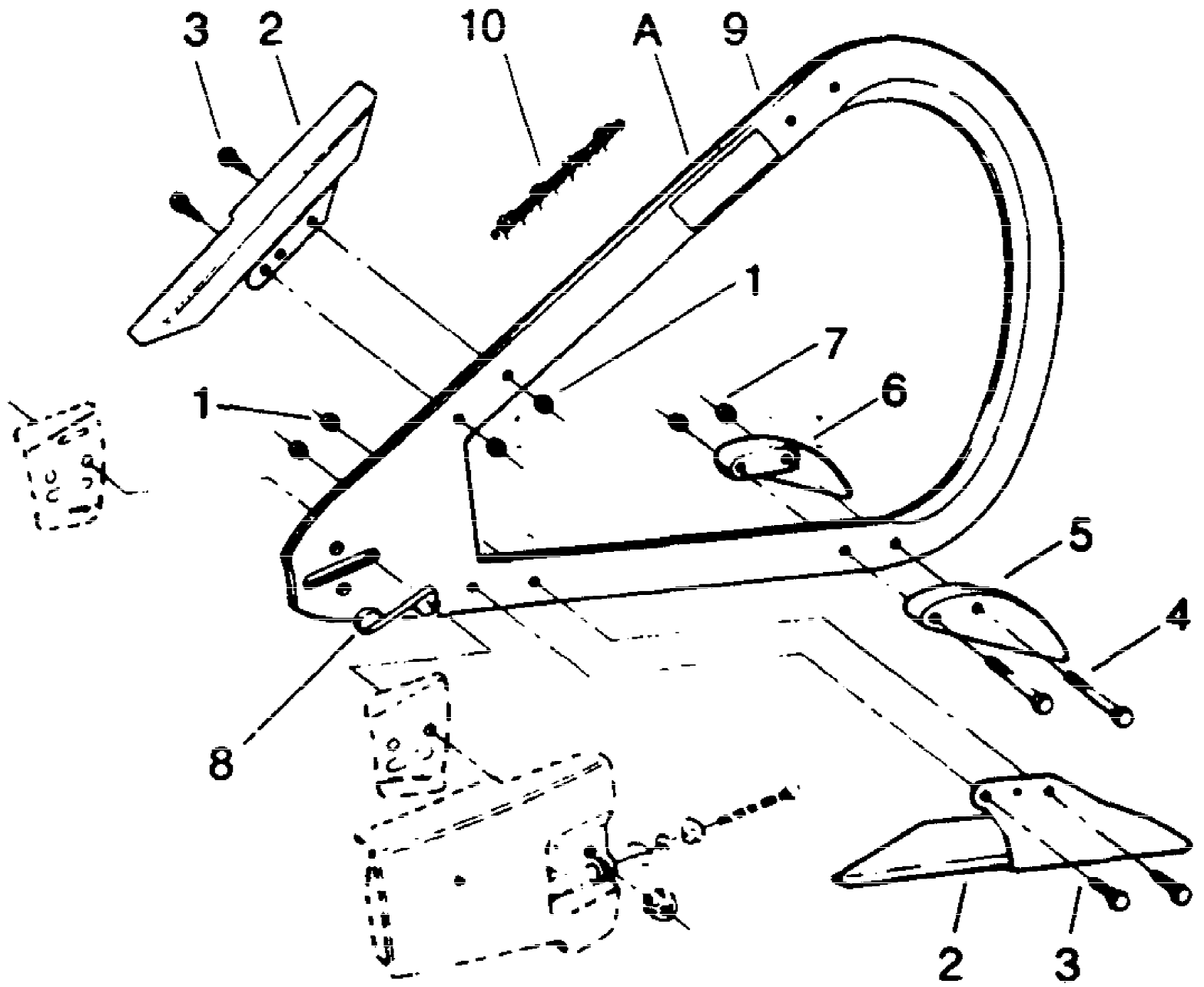
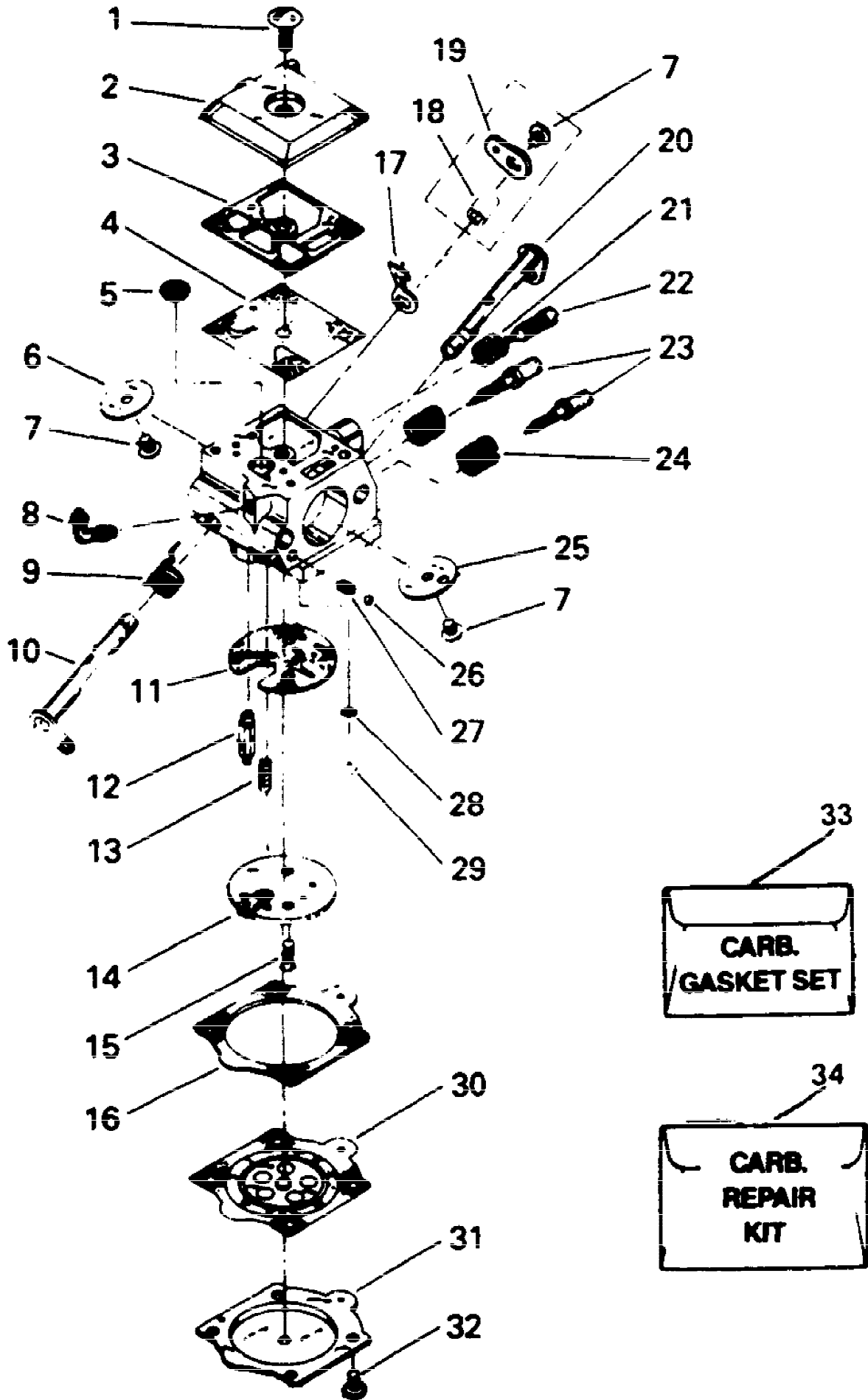


No  
Diagram  
Available  
  
Parts List  
Only

Ref #	Part Number	Qty	Description
	952044235		13" .050/ 3/8 pitch, P760-80 Bow Guide
	51293		13" .050/ 3/8 pitch, P760-80 Chain
	952044236		14" .050/ 3/8 pitch, P760-87 Bow Guide
	51294		14" .050/ 3/8 pitch, P760-87 Chain

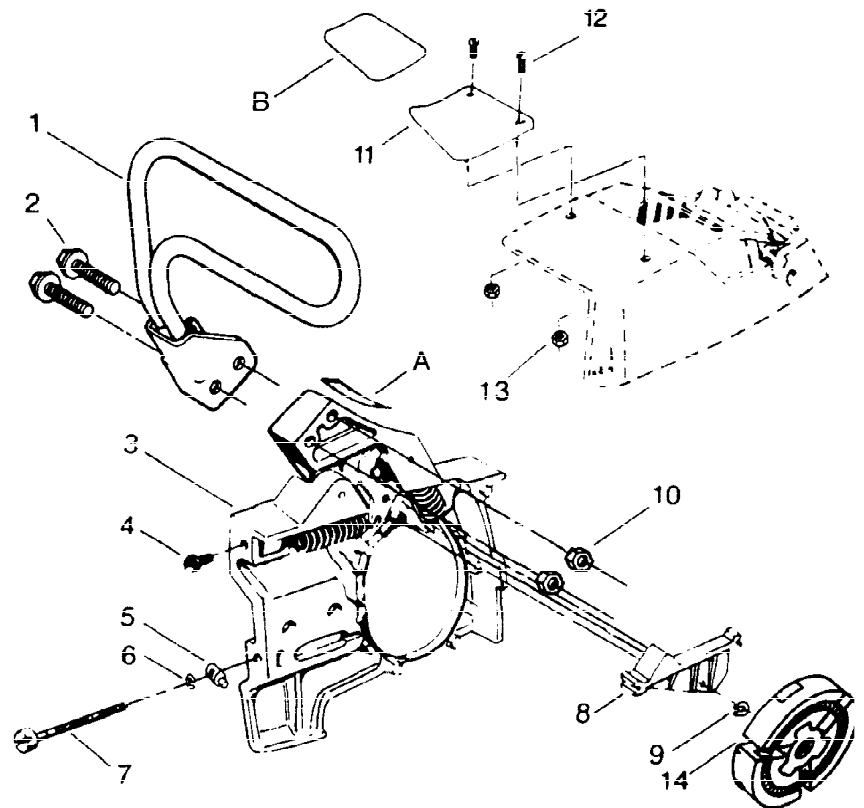


Ref #	Part Number	Qty	Description
1	530001725	4	Locknut - (12 - 24)
2	530022204	2	Chain Guard - Upper and Lower
3	530001709	4	Screw - Guard Mtg. (12 - 24 x 5/8 - Hex Hd.)
4	530625567	2	Screw - Spike Mtg.(1/4 - 20 x 1-3/4 - Hex Hd.)
5	1208	1	Bumper Spike - Right
6	1207	1	Bumper Spike - Left
7	530001615	2	Locknut - Bumper Spike Mounting (1/4 - 20)
8	530055044	1	"S" Clip
9		1	Bow Guide (See "Bow Guide & Chain Information" parts list)
10		1	Chain (See "Bow Guide & Chain Information" parts list)
	0488	1	13" Reversible Bow Attachment .050/3/8 pitch use on Bow Guide Model
	0489	1	14" Reversible Bow Attachment .050/3/8 pitch
A	25384	1	Decal - Bow Guide Warning
	530025383	1	Decal - Handguard (Not Shown)
	530026156	1	Decal - Kickback (Not Shown)



Ref #	Part Number	Qty	Description
1	530035115	1	Screw - Pump Cover
2	530035099	1	Cover - Fuel Pump
3	530035109	1	Gasket - Fuel Pump
4	530035113	1	Diaphragm - Fuel Indicates Contents in Carb Kwik Repair Kit
5	530035069	1	Screen - Inlet Indicates Contents in Carb Kwik Repair Kit
6	530035102	1	Valve - Throttle
7	530035015	3	Screw - Valve Indicates Contents in Carb Kwik Repair Kit
8	530035123	1	Fitting - Inlet (Elbow)
9	530035119	1	Spring - Throttle Ret.
10	530035101	1	Shaft Ass'y. - Throttle
11	530035111	1	Gasket - Circuit Indicates Contents in Carb Kwik Repair Kit
12	530035106	1	Valve - Inlet Needle Indicates Contents in Carb Kwik Repair Kit
13	530035118	1	Spring - Mtrg. Lever Indicates Contents in Carb Kwik Repair Kit
14	530035126	1	Plate Ass'y. - Circuit
15	530035116	2	Screw - Circuit Plate Indicates Contents in Carb Kwik Repair Kit
16	530035108	1	Gasket - Mtrg. Diaphragm Indicates Contents in Carb Kwik Repair Kit
17	530035105	1	Stop - Throttle
18	530035125	1	Bushing - Throttle Lv.
19	530035097	1	Lever - Throttle (Outer)
20	530035103	1	Shaft Ass'y. - Choke
21	530035121	1	Spring - Idle Screw
22	530035117	1	Screw - Idle Adj.
23	530035122	2	Needle - Hi & Lo
24	530035202	2	Needle Retainer Kit Indicates Contents in Carb Kwik Repair Kit; New Part No.
25	530035104	1	Valve - Choke
26	530035107	1	Ball - Choke Friction Indicates Contents in Carb Kwik Repair Kit
27	530035022	1	Spring - Choke Friction Indicates Contents in Carb Kwik Repair Kit
28	530035124	1	Screen - Check Valve Indicates Contents in Carb Kwik Repair Kit
29	530035096	1	Ring - Screen Retaining Indicates Contents in Carb Kwik Repair Kit
30	530035114	1	Diaph. Ass'y. - Mtrg. Indicates Contents in Carb Kwik Repair Kit
31	530035098	1	Cover - Mtrg. Diaphragm

Ref #	Part Number	Qty	Description
32	530035021	4	Screw Ass'y. - Mtrg. Cover Indicates Contents in Carb Kwik Repair Kit
33	530035112	1	Kit-Carb. Gasket (Incl. #3 & 16) - Optional
34	530035127	1	Kit-Carb. Kwik Repair * Indicates Contents)-Optional
	530035094		Carburetor Assembly

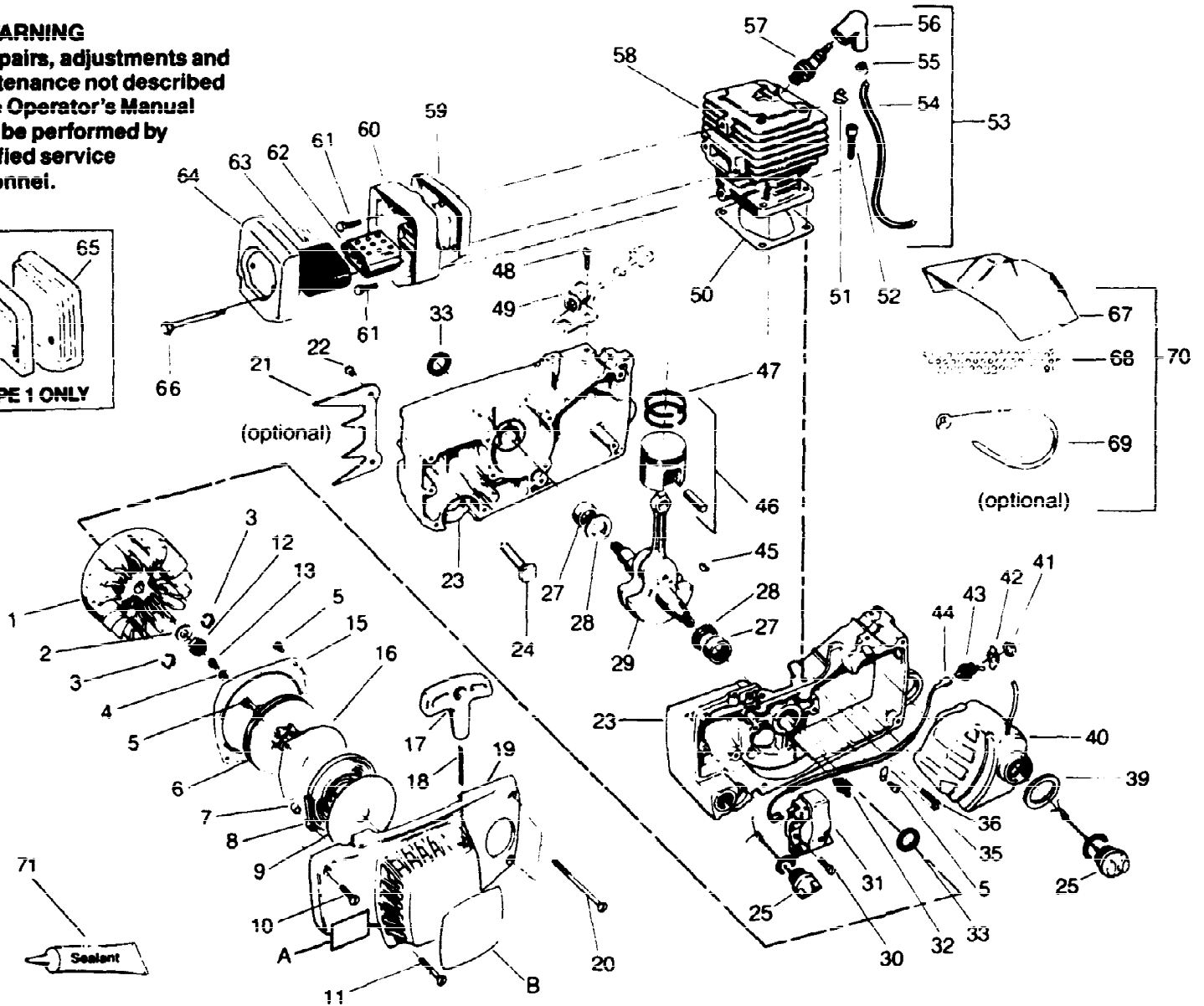
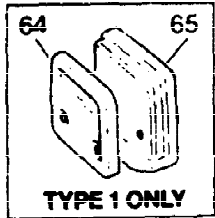


**WARNING:** The effectiveness of a chain brake in reducing operator injuries has not yet been fully determined. Therefore, Beaird-Poulan not represent that a chain brake is an effective safety device to prevent or reduce the hazard of injuries resulting from kickback. **DO NOT ASSUME THAT THE CHAIN BRAKE WILL PROTECT YOU IN THE EVENT OF A KICKBACK.** Instead, use the saw properly and carefully to avoid kickback. Proper operation is outlined in the Operator's Manual. Repairs on a chain brake must be made by qualified service personnel. Take your unit to the place of purchase if purchased from a servicing dealer, or to the nearest Authorized Service Dealer, or nearest Skil Service Center.



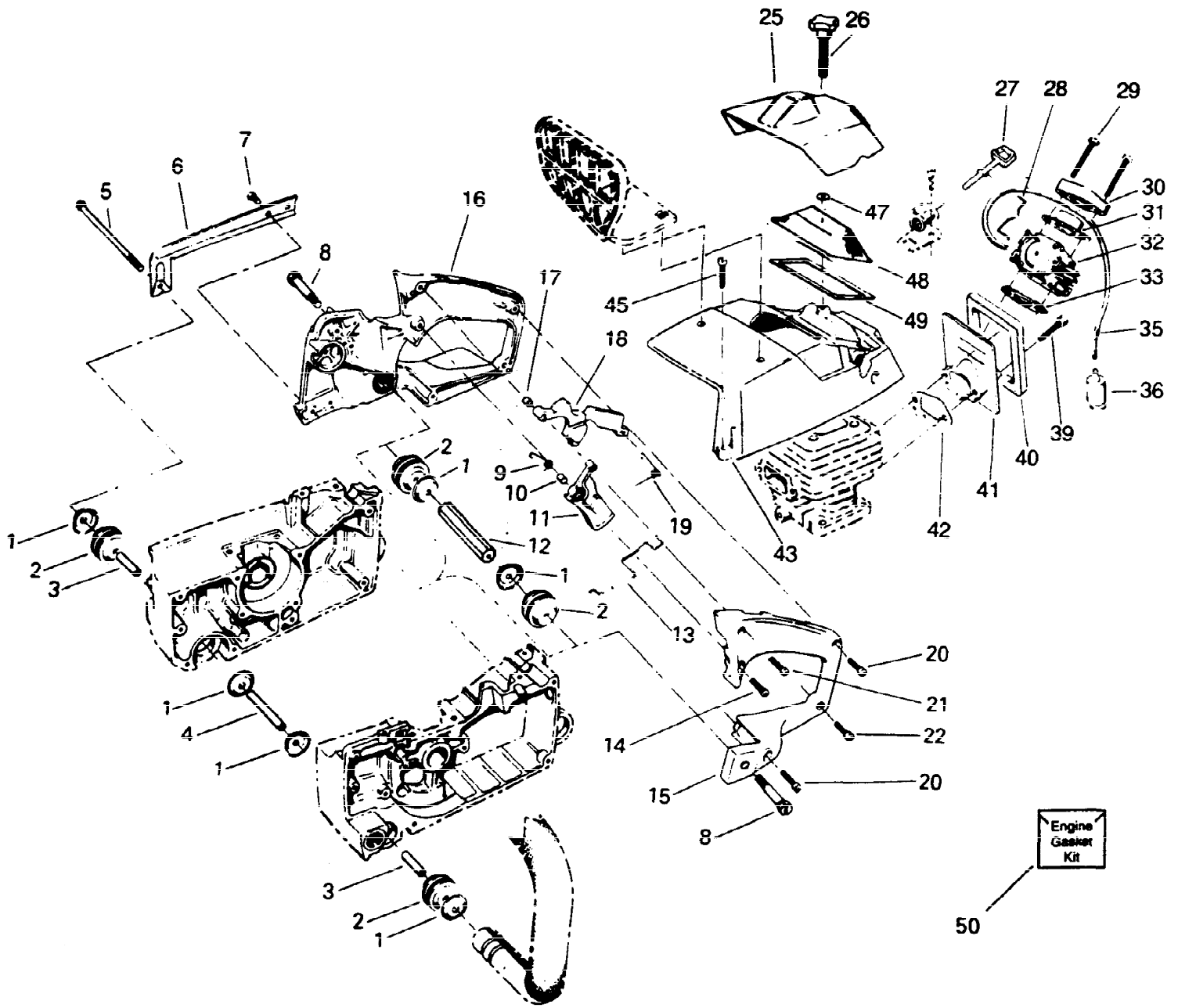
Ref #	Part Number	Qty	Description
1	530025911	1	Handle - Actuating Arm
2	530015545	2	Screw - Handle
3	530011769	1	Bar Clamp & Actuating Arm Ass'y.
4	530015415	1	Screw - Adjusting
5	530025044	1	Nut - Bar Adjusting
6	530024419	1	"E" Ring
7	530015385	1	Screw - Bar Adjusting
8	530024901	1	Guard
9	530015439	1	Retaining Ring
10	530015217	2	Nut - #10 - 24
11	530025914	1	Shield - Heat
12	530015406	2	Screw - #10 - 24 x 1/2
13	530001543	2	Nut - #10 - 24
14	530010291	1	Clutch
A	530026372	1	Decal - Warning
B	530026341		Decal - Instruction (Heat Shield)
	530024768	1	Decal - Bar Clamp (Not Shown)
	530069208		Chain Brake Assembly

**⚠ WARNING**  
All repairs, adjustments and maintenance not described in the Operator's Manual must be performed by qualified service personnel.



Ref #	Part Number	Qty	Description
1	530039095	1	Flywheel Ass'y. (Incl. #3)
2	530001626	1	Washer - Flywheel
3	530023817	2	Spring - Starter Dog
4	530015123	1	Washer - Starter Pulley
5	530001726	6	Screw - 32 x 5/16 - Hex Hd. - Disc. Mounting (Also Air Baffle & Clamp Lead)
6	530028487	1	Pulley Starter
7	530024329	1	Bushing Recoil Spring
8	530042051	1	Spring - Starter Recoil
9	530042053	1	Disc. Recoil Spring - Outer
10	530015364	1	Screw - 10 - 24 x 1 - Oval Hd. Fan Housing - (Top Front)
11	530015365	1	Screw - 10 - 24 x 1 - 3/8 - Fan Housing (Lower Front)
12	530001722	1	Flywheel Nut 3/8 - 24
13	530015036	1	Screw - 10 - 24 x 1/2 - Starter Pulley
15	530024232	1	Air Baffle
16	530042054	1	Disc. Recoil Spring - Inner
17	530042056	1	Handle Starter Rope
18	530069233	1	Rope Kit New part No.
19	530012034	1	Fan Housing Assembly
20	530015366	2	Screw - 10 - 24 x 9/64 - Fan Housing (Rear)
21	530024476	1	Spur Optional
22	530015434	2	Screw - 10 - 24 x 9/16 - Hex Hd. - Spur
23	530010696	1	Crankcase Ass'y. (Incl. #24, 27, 33 & Oil Cap Ass'y. from "Engine Assembly"; from "Handle Bar Assembly", includes #30, 36, 47 & one of 34)
24	530030039	2	Kit - Bar Stud Replacement (5/16")
25	952010438	1	Kit - Oil & Fuel Cap (Incl. O-Rings); See Drawing Note #1 for Service Reference
27	530032051	2	Bearing - Crankshaft
28	530015354	2	Thrust Washer - Crankshaft
29	530024492	1	Crankshaft Ass'y. (Incl. Connecting Rod and Bearing)
30	530015425	2	Screw - 10 - 24 x 12 - Module Mnt.
31	530039093	1	Ignition Module (Incl. #44 & 53)
32	530024334	1	Clamp - High Tension Lead - Crankcase
33	530019097	2	Seal - Crankshaft Indicates Gasket Kit contents, Key No. 50, "External Power Unit" illustration and parts list.
35	530023661	2	Clamp - Module Lead
36	530015238	9	Screw - 10 - 24 x 11/16 - Fil. Hd. Crankcase
39	530019122	1	Seal - Fuel Tank Neck Indicates Gasket Kit contents, Key No. 50, "External Power Unit" illustration and parts list.
40	530010286	1	Fuel Tank Assembly Incl. Fuel Cap Ass'y. & #35 & 36, from "External Power Unit" illustration and parts list) - See Drawing Note #1 for Service Reference

Ref #	Part Number	Qty	Description
41	530023575	1	Nut - Switch Mounting
42	530024858	1	Plate - Ignition Switch
43	530023732	1	Switch - Toggle
44		1	Leadwire - Switch
	530039115		Serial #35474496 and after
	530039099		Before Serial #35474495
45	530002595	1	Key - Flywheel
46	530010314	1	Piston Assembly (Incl. Piston Pin and Rings)
47	530024332	2	Rings - Piston
48	530015368	1	Screw - 10 - 24 x 3/8 Fil. Hd. Choke Bracket
49	530010347	1	Bracket & Bushing Assembly - Choke
50	530019129	1	Cylinder Gasket Indicates Gasket Kit contents, Key No. 50, "External Power Unit" illustration and parts list.
51	530015195	1	Clip -High Tension Lead Cylinder
52	530001624	4	Cylinder Screw - 1/4 - 20 x 7/8
53	530039102	1	High Tension Lead Assembly (Incl. 54, 55 & 56)
54	530039096	1	High Tension Lead
55	530039071	1	Connector - Spark Plug
56	530039097	1	Boot - Spark Plug
57	530030073	1	Spark Plug
58	530012066	1	Cylinder
59	530024388	1	Back Plate - Muffler
60	530024387	1	Muffler Body
61	530015374	2	Screw - 1/2 - 24 x 1/2 - Hex Hd. Muffler Body to Cylinder
62	530024384	2	Diffuser - Muffler
63	530024385	1	Screen - Spark Arrestor
64		1	Muffler Cover
	530024391	-	Type I
	530026800	-	Type II
65	530024392	1	Shield Muffler - Type I Only
66	530015375	2	Screw - 1/4 - 20 x 2 - 1/2 - Hex Cap - Muffler Cover
67	530024845	1	Cover Carburetor - With Rear Vent Optional
68	530011746	1	Screen - Winter Optional
69	530024675	6	Tie Strap Optional
70	530069063	1	Winter Kit Incl. 67, 68 & 69) - (Optional)
71	530030054	1	Sealant - Crankcase (Optional)
A	530026862		Decal - Professional User Bow Guide Powerhead only Decals; New Part No.
B	530026846		Decal - Fan Housing Decals; New Part No.
	530066640	1	Operator's Manual New Part No.; Not Shown
	530066051	1	Bow Guide Manual Not Shown
		1	Carton Not Shown
	60830		3400 w/16" bar or Bow Guide Powerhead New Part No.; Not Shown
	530060831		3400 w/18" or 20" bar New Part No.; Not Shown
	530060725		3400 w/16" bar & carrying case Not Shown



Ref #	Part Number	Qty	Description
1	530024376		Cup Isolator See Drawing Note #3 for Service Reference
		6	New Style Rear Isolation System
		8	Old Style Rear Isolation System
2		4	Isolator-Powerhead Rear Handle
	530024373		Use on Guide Bar Powerhead
	530024528		Use on Bow Guide Powerhead
3	530015362	2	Spacer-Front Handlebar Isolator Mount
4	530015361	1	Spacer-Front Handlebar-Center-Isolator Mount
5	530015391	1	Screw - 1/4-20x5-5/16
6		1	Handle Brace-See See Drawing Note #4 for Service Reference
7		2	Screw - 1/2-20 x 3/4 Button Hd. See Drawing Note #4 for Service Reference
8	530015462	2	Shoulder Screw 1/2-20 - Isolator See Drawing Note #3 for Service Reference
9	530025469	1	Spring-Trigger
10	530032059	1	Bushing-Trigger
11	530026013	1	Throttle-Trigger
12	530025258	1	Spacer-Isolator (Center) See Drawing Note #3 for Service Reference
13	530024699	1	Wire Throttle
14	530015369	1	Shoulder Screw - 10-24x5/8 - Fil. Hd. - Throttle Trigger
15		1	Rear Handle Left See Drawing Note #3 for Service Reference
16		1	Rear Handle Right See Drawing Notes #3 & #4 for Service Reference
17	530032053	1	Bushing-Throttle Lock
18	530024357	1	Throttle Lock
19	530024378	1	Spring-Throttle Lock
20	530015403	2	Screw - 10-24x13/16 - Fil. Hd. Rear Handle Lower
21	530015393	1	Screw - 8-32x13/16 - Fil. Hd. Rear Handle Throttle Lock
22	530015608	1	Screw - 8-32x9/16 - Fil. Hd. Rear Handle Lower
25		1	Cover-Carburetor
	530025892		Type I
	530024976		Type II
26	530024482	1	Knob-Carburetor Cover
27	530025919	1	Choke Rod
28	530024383	1	Wire Choke
29	530015245	2	Screw - 10-24x11/16 - Fil. Hd. Carburetor to Adaptor
30	530019104	1	Seal-Adaptor Shield Indicates Gasket Kit contents, Key No. 50, this page
31	530024349	1	Bracket-Carburetor Seal
32	530035094	1	Carburetor

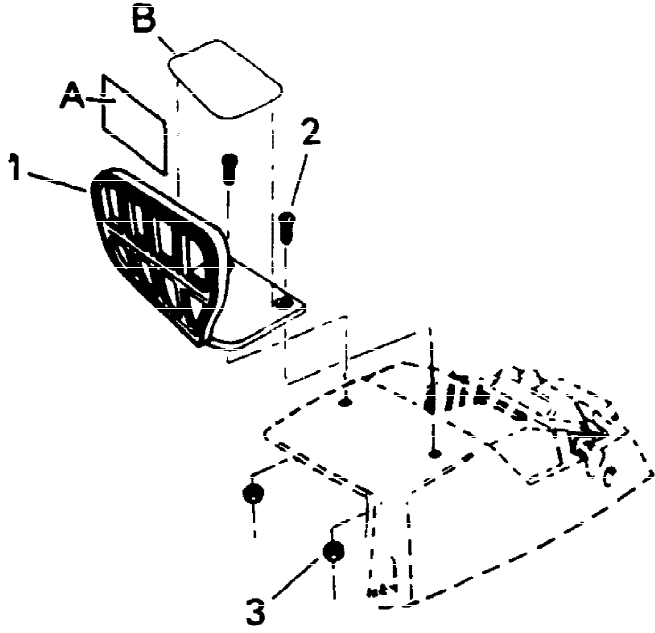
Ref #	Part Number	Qty	Description
33	530019099	1	Gasket-Carburetor to Adaptor Indicates Gasket Kit contents, Key No. 50, this page
35	530069216	1	Line Kit New Part No.
36	530091878	1	Fuel Pick-up Ass'y See Drawing Note #5 for Service Reference.
39	530015414	2	Screw - 10 - 24 x 1-3/16 - Hex Hd. - Adaptor to Cylinder
40	530019107	1	Seal-Carburetor Adaptor Indicates Gasket Kit contents, Key No. 50, this page
41	530024229	1	Carburetor Adaptor
42	530019101	1	Gasket - Adaptor to Cylinder Indicates Gasket Kit contents, Key No. 50, this page
43		1	Cylinder Shield Type I
	530025893		Type II
	530026015		
45	530015168	3	Screw - 10-24x5/8 - Fil. Hd. Cylinder Shield to Crankcase
47	530024877	1	Retainer-Carb. Cover Knob
48	530024548	1	Air Filter
49	530019123	1	Gasket - Air Filter Indicates Gasket Kit contents, Key No. 50, this page
50	530069190	1	Kit - Engine Gasket Contents indicated by * on "Engine Assembly", "External Power Unit", & "Handle Bar Assembly" illustration & parts list

No  
Diagram  
Available  
  
Parts List  
Only

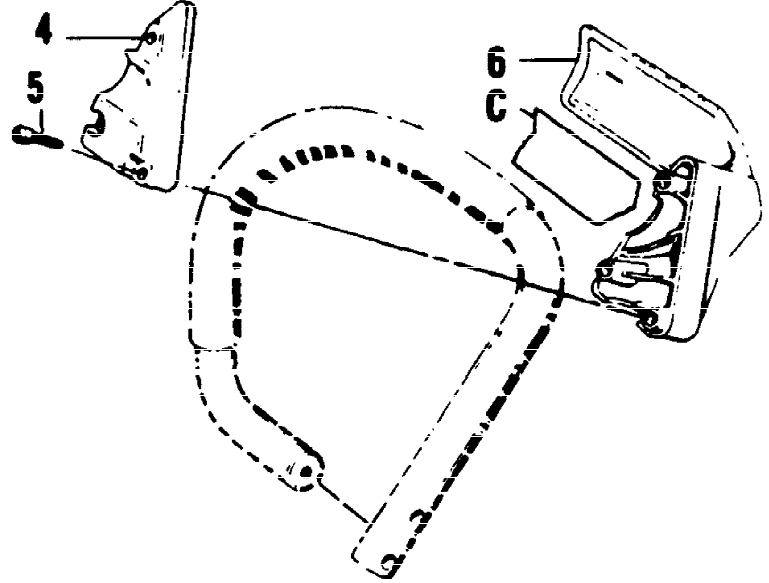


Ref #	Part Number	Qty	Description
1	530052083		Guard Drive Link Repair Parts For 3/8 Pitch, .050 Gauge Chain
2	530052082		L. H. Cutter Repair Parts For 3/8 Pitch, .050 Gauge Chain
3	530052081		R. H. Cutter Repair Parts For 3/8 Pitch, .050 Gauge Chain
4	530052014		Pre-Set Tie Strap Repair Parts For 3/8 Pitch, .050 Gauge Chain
5	530005295		Tie Strap Repair Parts For 3/8 Pitch, .050 Gauge Chain
6	530005297		Drive Link Repair Parts For 3/8 Pitch, .050 Gauge Chain
	530052078		Chain Repair Kit
	952044168		16" Control Tip -S.N., P72S-60 Guide Bar
	952051264		16" Control Tip -S.N., P72S-60 Chain
	44159		18" Control Tip -S.N., P72S-66 Guide Bar
	952051265		18" Control Tip -S.N., P72S-66 Chain
	952044169		20" Control Tip -S.N., P72S-70 Guide Bar
	952051266		20" Control Tip -S.N., P72S-70 Chain

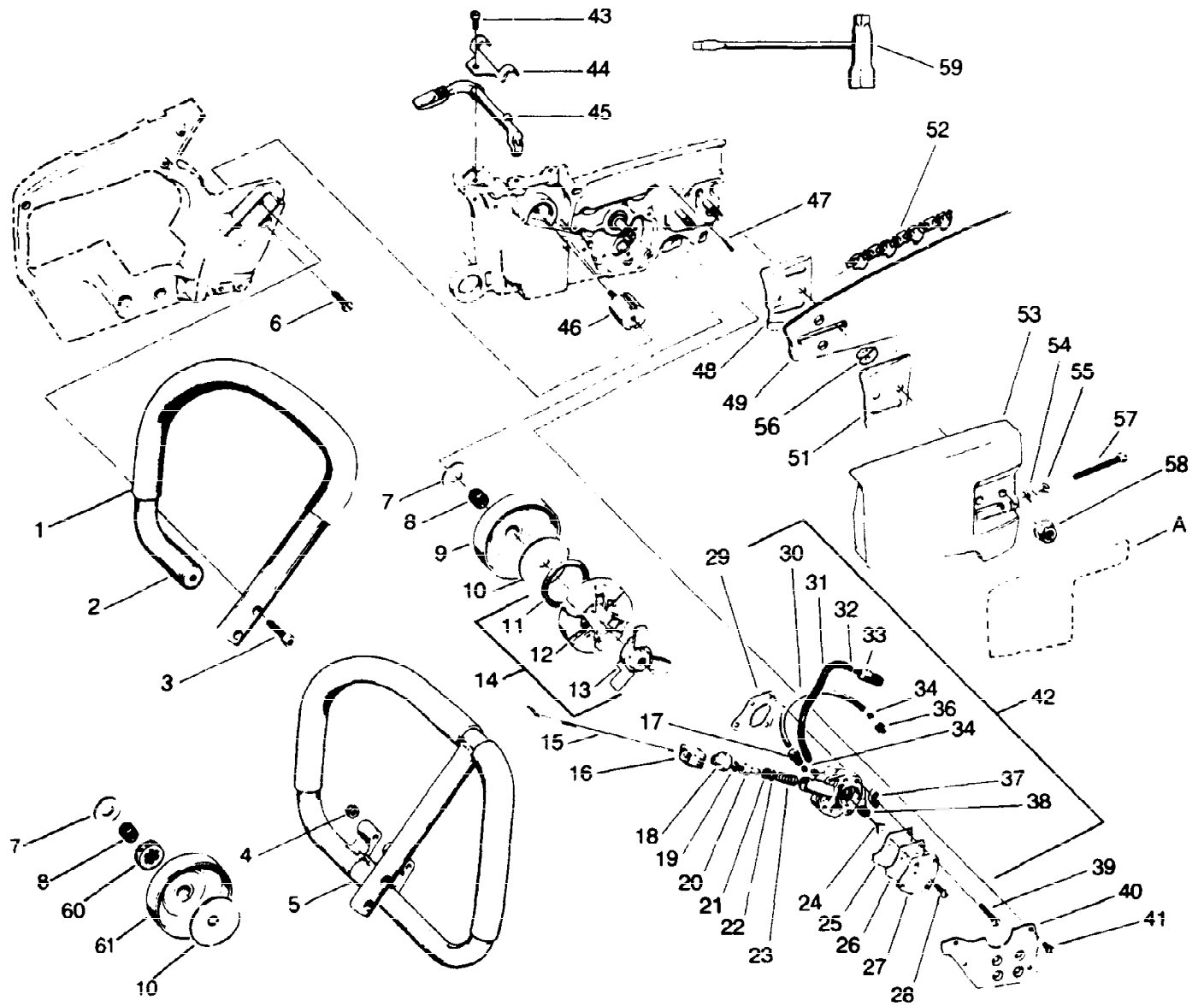
**NEW STYLE HANDGUARD**



**OLD STYLE HANDGUARD**

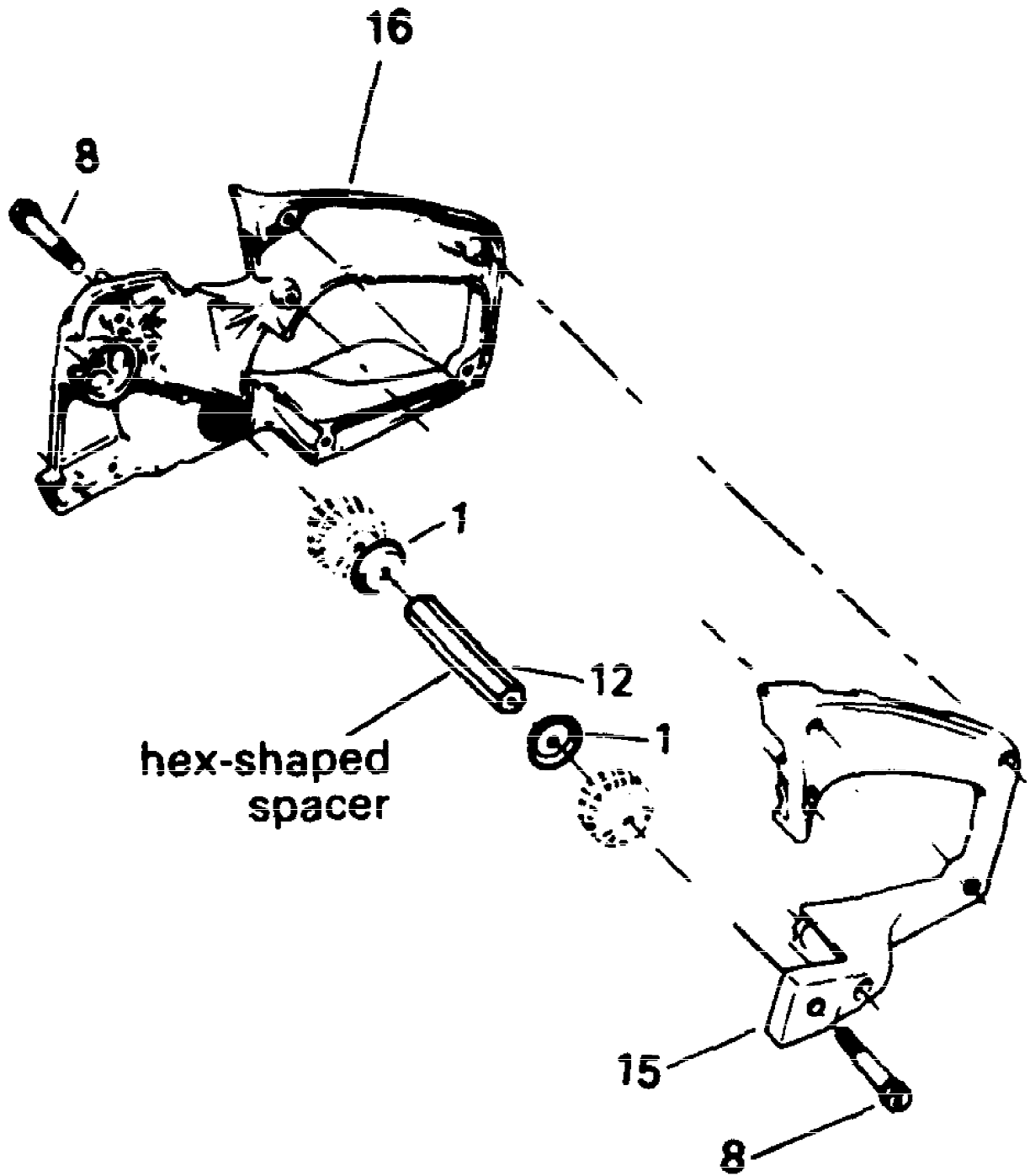


Ref #	Part Number	Qty	Description
1	530025948	1	Handguard
2	530015406	2	Screw-10-24 x 1/2
3	530001543	2	Nut - #10-24
4	530024467	1	Cap - Handguard
5	530015509	3	Screw - #10x1 - Pan Hd. - Handguard
6	530024466	1	Handguard
A		1	Decal-Kickback
	530026850		Guide Bar Powerhead
	530026156		Bow Guide Powerhead
B	530026921	1	Decal-Starting Instructions
C		1	Decal-Kickback Warning
	530025681		Guide Bar Powerhead
	530025383		Bow Guide Powerhead



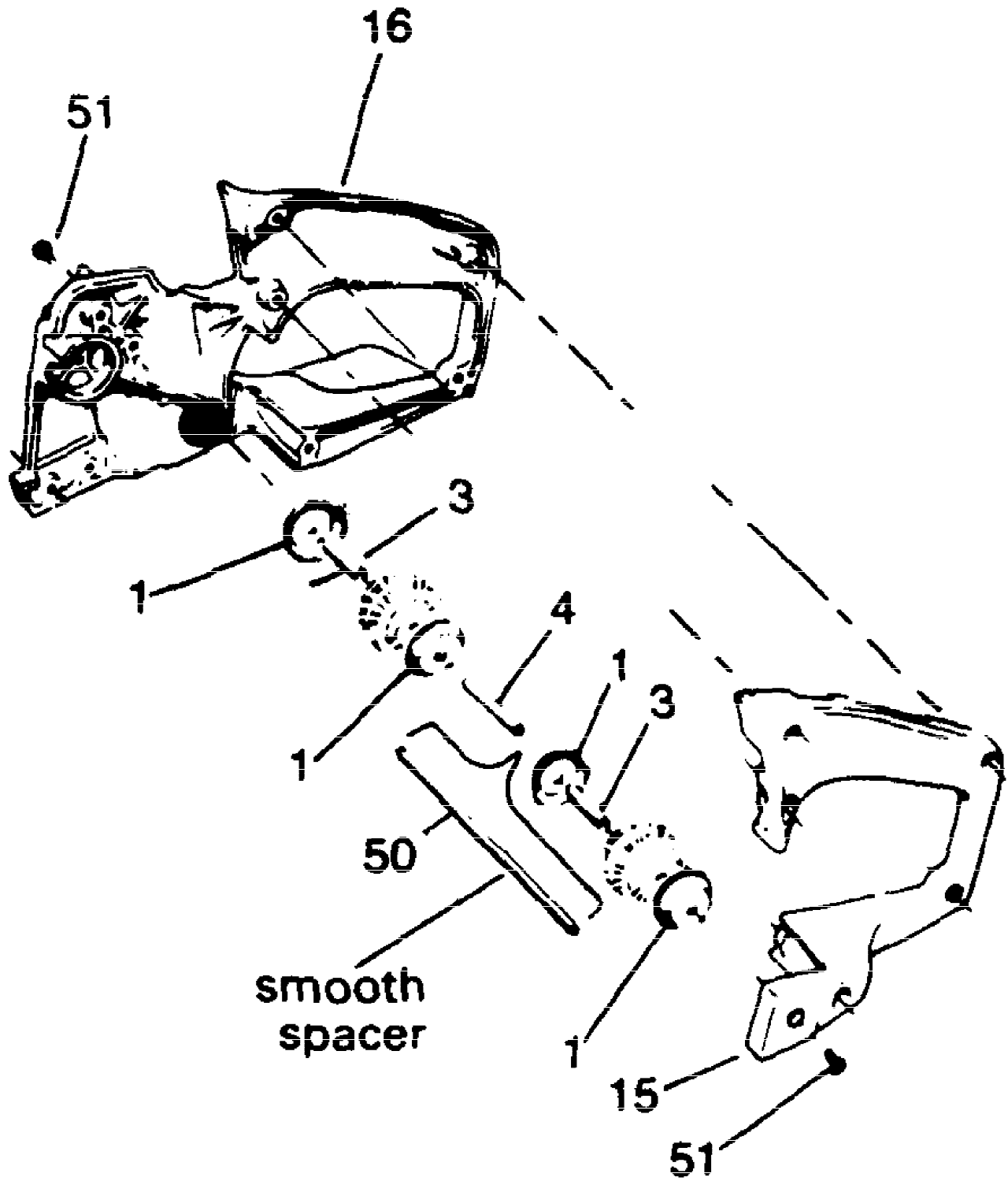
Ref #	Part Number	Qty	Description
1	530069171	1	Kit-Grip Handlebar (Velvet)
2	530022276	1	Handlebar Assembly For new Style Handguard (See "Handguard System" illustration and parts list)
	530022196		For Old Style Handguard (See "Handguard System" illustration and parts list)
3	530001711	2	Screw-1/4-20x1-Socket Hd.- Handlebar to Crankcase
4	530001615	1	Locknut-1/4-20-Wraparound Handle
5	530069163	1	Handlebar-Wraparound Handle Optional for Guide Bar Powerhead only
6	530015406	1	Screw - 10-24x1/2 - Pan. Hd. - Side Isolator
7	530015357	1	Thrust Washer
8	530032049	1	Bearing-Clutch
9	48069	1	Drum & Sprocket Assembly
10	530024465	1	Plate Clutch
11	530024353	1	Spring-Clutch
12	530024352	3	Shoe-Clutch
13	530011625	1	Spider-Clutch
14	530010291	1	Clutch Ass'y (Incl. 11, 12, & 13)
15	530024347	1	Rod-Manual Oiler
16	530023373	1	Boot-Oiler Rod Indicates Gasket Kit contents, Key No. 50, "External Power Unit" illustration and parts list
17	530002615	1	Tubing Nut
18	530023356	1	Cap-Oil Pump
19	530001611	1	Retainer Ring
20	530023357	1	Plunger
21	530019029	1	"O" Ring-Quad Ring
22	530015418	1	Washer-Oiler
23	530023356	1	Spring
24	530022197	1	Ass'y. - Button & Pintle
25	530024345	1	Diaphragm
26	530019102	1	Gasket-Cover to Body Indicates Gasket Kit contents, Key No. 50, "External Power Unit" illustration and parts list
27	530025987	1	Cover-Pump
28	530015297	1	Screw - 8-16x5/8 Pan. Hd. - Oil Pump Cover
29	530019103	1	Gasket-Oiler Ass'y. to Crankcase Indicates Gasket Kit contents, Key No. 50, "External Power Unit" illustration and parts list
30	530021038	1	Discharge Line Oil (Bulk 8115)
31	24677	1	Spring-Oil Line Protector
32	530021031	1	Oil Line (Bulk 8132)
	530010289	1	Oil Line Pick-up Assembly (Incl. 30 & 31)
33	24676	1	Weight-Oil Pick-up Line
34	530002464	2	Sleeve-1/8 Tubing
36	530015422	1	Tubing Nut-Slotted
37	24691	1	Foam-Oil Pump Vent
38	530023699	1	Spring-Diaphragm

Ref #	Part Number	Qty	Description
39	530015401	3	Screw-8-32x1-Pan. Hd. Pump to Crankcase
40	530024399	1	Cover Plate-Oiler
41	530015004	4	Screw - 8-32x5/16-Pan. Hd. Cover Plate
42	530069062	1	Kit-Oil Pump Ass'y Incl. 17-28, 30-33, one of 34 & 36-38); See Drawing Note #2 for Service Reference
43	530015368	1	Screw - 10-24x3/8 - Fil. Hd.- Bracket to Crankcase
44	530024351	1	Bracket Lever to Crankcase
45	530024348	1	Lever-Manual Oiler
46		1	Isolator Side
	24225		Use on Guide Bar Powerhead
	530024637		Use on Bow Guide Powerhead
47	530069185	1	Kit - Oil Vent Replacement
48	530025925	1	Guide Bar Plate - Inner
49		1	Guide Bar or Bar Guide See "Bow Guide Assembly" or "Guide Bar & Chain Information" illustration and parts list for quantity.
51	530025924	1	Guide Bar Plate-Outer
52		1	Chain See "Guide Bar & Chain Information" illustration and parts list for quantity.
53		1	Bar Clamp Ass'y. (Incl. 51-57)
	530010825		Use on Guide Bar Powerhead
	530010826		Use on Bow Guide Powerhead Part Change
54	530025044	1	Pin-Bar Adj.
55	530024419	1	"E" Ring Adj. Screw
56	530025414	1	"U" Clip
57	530015385	1	Screw - 10-24x2-5/16" Bar Adj.
58	530015445	2	Flange Nut Mounting - 5/16-18
59	530031107	1	Scrench
60	530004746	1	Rim-Floating
61	48063	1	Ass'y Drum & Sprocket
A	530026845	1	Decal-Bar Clamp



Ref #	Part Number	Qty	Description
1	530024376	2	Cup Isolator
6		1	Handle Brace
	530011963		Use on Guide Bar Powerhead
	530011964		Use on Bow Guide Powerhead
7	530015194	2	Screw-1/4-20x3/4 Button Hd.
8	530015462	2	Shoulder Screw 1/4-20
12	530025258	1	Spacer-Center
15	530011826	1	Rear Handle-Left
16	530012023	1	Rear Handle-Right





Ref #	Part Number	Qty	Description
1	530024376	4	Cup Isolator
3	530015362	2	Spacer Isolator
4	530015361	1	Spacer Isolator
6		1	Handle Brace
	530011865		Use on Guide Bar Powerhead
	530011645		Use on Bow Guide Powerhead
7	530015387	2	Screw - 10-24x9/16 Fil Hd.
15	530011642	1	Rear Handle-Left
16	530011643	1	Rear Handle-Right
	530011827	1	Rear Handle-Right
50	530024377	1	Pin-Rear Isolator
51	530015192	2	Screw - 10-24 x 3/8 Pan Head