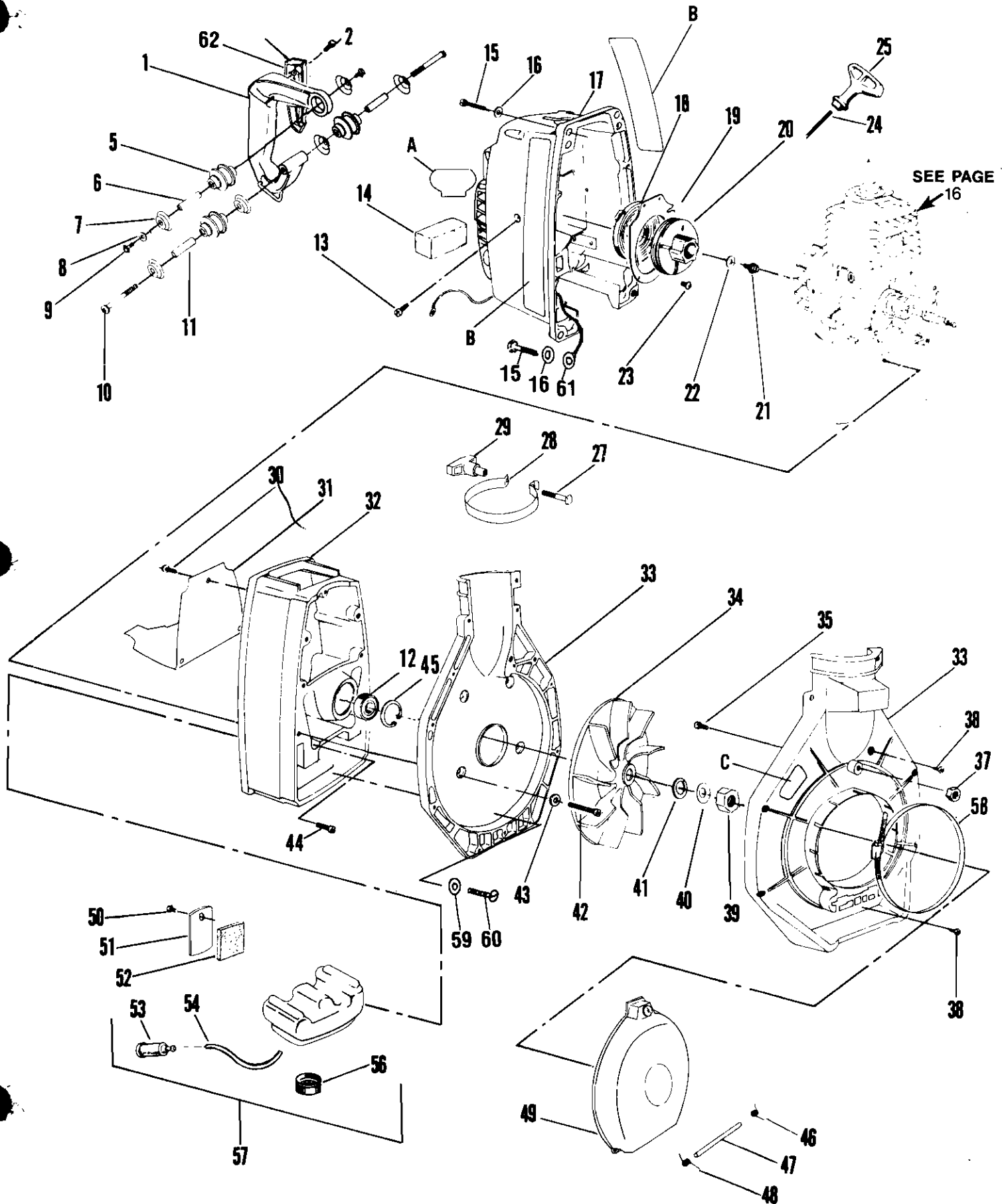


# WEED EATER BLOWER/VAC — PARTS LIST

Illustration — 1

MODEL  
960



## WEED EATER BLOWER/VAC — PARTS LIST

Description — 2

MODEL  
960

KEY NO.	PART NO.	QTY.	DESCRIPTION	KEY NO.	PART NO.	QTY.	DESCRIPTION
1	10827	1	Ass'y - Handle w/Ring (Incl. #2)	34	94215	1	Impeller
2	15635	2	Screw - 10 - 14 x 11/16 Bind. Hd. - Handle	35	15661	1	Screw - 10 - 14 x 88 - Blower Hsg./Inlet Door
5	26994	3	Isolator - Handle	37	15064	1	Nut - 10-24
6	15343	1	Spacer - Isolator (Front)	38	15367	10	Screw - 10 - 14 x 3/4 Pivot Pin/Blower Hsg.
7	26163	6	Cup - Isolator	39	15644	1	Nut - Impeller
8	15629	2	Washer #8 - Front	40	15441	1	Washer - Conical - Impeller
9	15628	2	Screw - 8 - 32 x 7/16 Bind. Hd. - Front	41	15626	1	Washer - Flat - Impeller
10	15561	2	Screw - 12 - 11 x 2	42	15632	4	Screw - 1/4 - 20 x 7/8 - Blower Hsg./Shroud
11	15342	2	Spacer - Isolator (Rear)	43	15682	4	Washer - Blower Hsg./Shroud
12	32091*	1	Bearing - Ball Shroud	44	15168	4	Screw - 10 x 14 x 3/4 - Blower Hsg.
13	15678	2	Screw - 10 - 24 x 5/8 Bind. Hd. - Fan Hsg./Crankcase	45	1516	1	Retainer - Bearing - Shroud
14	24371	1	Air Filter	46	15667	1	Spring - Tension (Right)
15	15676	4	Screw - 10 - 24 x 7/8 - Fan Housing	47	15647	1	Pin - Pivot
16	15677	4	Washer - Fan Hsg.	48	15672	1	Spring - Tension (Left)
17	10821	1	Fan Housing	49	94241	1	Ass'y - Inlet Door
18	42023	1	Spring - Starter Pulley	50	15638	1	Screw - 1/4 x 20 x 1/2 - Retainer
19	26780	1	Baffle - Air	51	15637	1	Retainer - Fuel Tank
20	28626	1	Pulley Starter	52	26781	1	Cushion - Fuel Tank
21	15479	1	Screw - 10 - 3/4 Hex Hd. - Pulley	53	91878	1	Ass'y - Fuel Pick-up
22	15123	1	Washer - Starter Pulley	54	21058	1	Line - Fuel - Tank
23	15544	4	Screw - 10 x 3/8 Pan Hd. - Air Baffle	55	19136	1	"O" Ring - Fuel Cap
24	22289	1	Rope ( 3 ft.)	56	10729	1	Ass'y - Fuel Cap
25	26735	1	Handle - Starter Rope	57	10815	1	Ass'y - Fuel Tank (Incl. #53, 54, & 56)
27	15664	1	1/4 - Square - Clamp	58	94230	1	Clamp w/Screw
28	94222	1	Clamp - Blower Tube	59	15685	1	Washer #10
29	94242	1	Handle - Knob	60	15368	1	Screw 10-24 x 9/16
30	15636	3	Screw #10 - Heat Deflector	61	26991	1	Ground Wire
31	26776	1	Deflector - Heat	62	94212	1	Cover Handle
32	10824*	1	Shroud (Incl. #12 & 45)	DECALS			
33	10835	1	Ass'y - Blower Hsg. (Incl. 9 of #38)	A	26763	1	Decal - Instruction
				B	26926	2	Decal - Fan Housing (Left and Right)
				C	26925	1	Decal - Warning Blower/Vac.

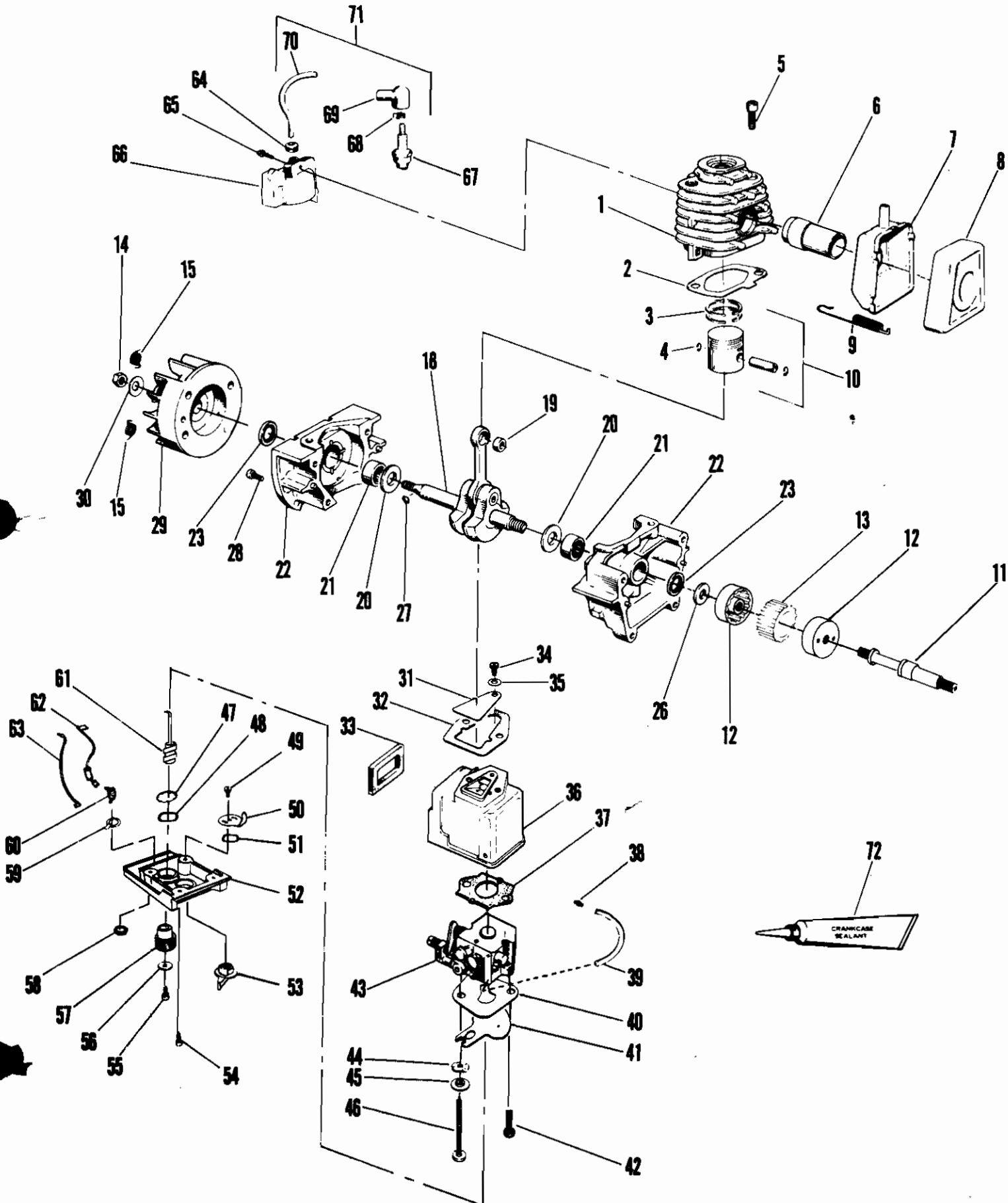
Key Nos. Excluded: #3, 4, 26, 36 & 55

\*When removing or installing the bearing (#32091), the area of the shroud (#10824) receiving the bearing must be heated to approximately 300°F. to avoid damaging the shroud.

# WEED EATER BLOWER/VAC — PARTS LIST

Illustration — 3

MODEL  
960



## WEED EATER BLOWER/VAC — PARTS LIST

Description — 4

MODEL  
960

KEY NO.	PART NO.	QTY.	DESCRIPTION	KEY NO.	PART NO.	QTY.	DESCRIPTION
1	12112	1	Cylinder	42	15676	1	Screw - 10-24x7/8- Carburetor
2	19111	1	Gasket - Cylinder	43	35196	1	Carburetor
3	26681	2	Ring - Piston 28cc	44	15254	1	Washer - Wave - Carburetor
4	15162	2	Retainer - Wrist Pin	45	15673	1	Spacer - Carburetor
5	15239	2	Screw - 1/4 - 20 x 3/4 - Hex Soc Hd. - Cylinder	46	15630	1	Screw - 10 - 24 x 2 3/8 - Carb. Shoulder
6	26949	1	Diffuser - Muffler	47	15654	1	Ring - External Retaining - Throttle
7	10809	1	Ass'y - Body-Muffler	48	15147	1	Washer - Wave - Throttle
8	24361	1	Cover - Muffler	49	15407	1	Screw - 8 - 32 x 5/16 Pan Hd. - Choke Knob
9	24903	2	Spring - Muffler Attachment	50	26773	1	Actuator - Choke
10	69203	1	Piston Kit (Incl.#3, 4 & Pin)	51	15147	1	Washer - Wave - Choke
11	94219	1	Shaft - Arbor	52	26764	1	Cover - Carb. Case
12	12145	2	Coupling - Shaft	53	23807	1	Knob - Choke
13	94243	1	Coupling - Plastic	54	15675	4	Screw - 8 - 18 x 5/8 Phil.
14	626605	1	Nut - Flywheel - 5/16 x 24	55	15660	1	Screw 10 - 14 x 3/8 - Throttle
15	23817	2	Spring - Starter Dog	56	15658	1	Washer - Flat Throttle
18	26765	1	Ass'y - Crankshaft & Rod	57	15614	1	Knob - Throttle
19	32057	1	Bearing - Wrist Pin	58	23575	1	Nut - Grounding Switch
20	15351	2	Washer - Thrust - Crankcase	59	24569	1	Washer - Ground
21	32058	2	Bearing - Crankshaft	60	69204	1	Switch Toggle - Kit (Incl. #58, 59, 62, 63)
22	10819	1	Crankcase Ass'y. (Incl. #21 & 23)	61	26771	1	Ass'y - Throttle Wire
23	19059	2	Seal - Crankcase	62	26951	1	Wire - Ignition
26	15377	1	Washer - Coupling	63	26829	1	Wire - Ground
27	15126	1	Key - Flywheel	64	24435	1	Grommet - Plug Wire
28	15168	4	Screw - 10 - 24 x 5/8 Fil. Hd. Crankcase	65	15128	2	Screw - 8 - 32 x 3/4 Fil. Hd. - Ignition Module
29	39111	1	Flywheel Assembly (Incl. #15)	66	39124	1	Ignition Module
30	15127	1	Washer - Flywheel	67	30058	1	Spark Plug (RCJ-8)
31	24438	1	Reed Valve	68	3933	1	Connector - Spark Plug Lead
32	19108	1	Gasket - Carburetor Case to Crankcase	69	3934	1	Boot - Spark Plug
33	19105	1	Seal - Carburetor Case	70	39082	1	High Tension Lead Wire
34	15241	1	Screw - 6 - 19 x 5/16 - Pan Hd. - Reed Valve	71	39103	1	High Tension - Lead Assembly - (Incl. #68, 69, & 70)
35	23367	1	Washer - Reed Valve Screw	72	30054	1	Sealant - Crankcase - (Not Supplied With Unit)
36	26818	1	Case - Carburetor				
37	19115	1	Gasket - Carburetor				
38	25472	1	Fitting - Fuel Line				
39	21056	1	Line - Fuel - Carburetor				
40	26797	1	Guide Plate - Choke				
41	26772	1	Shutter - Choke				

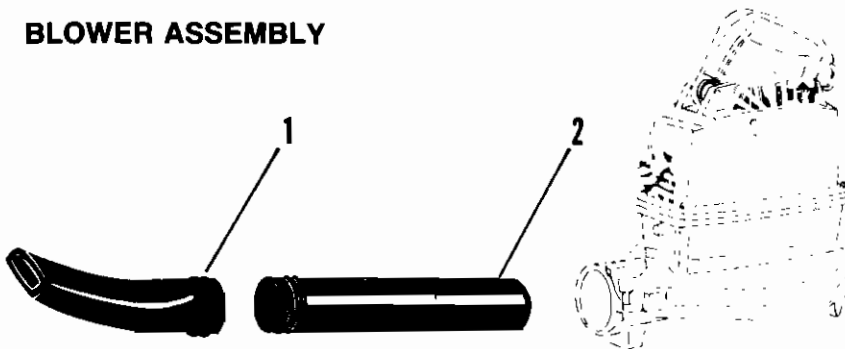
Key Nos. Excluded: #16, 17, 24, & 25

## WEED EATER BLOWER/VAC — PARTS LIST

Illustration & Description — 6

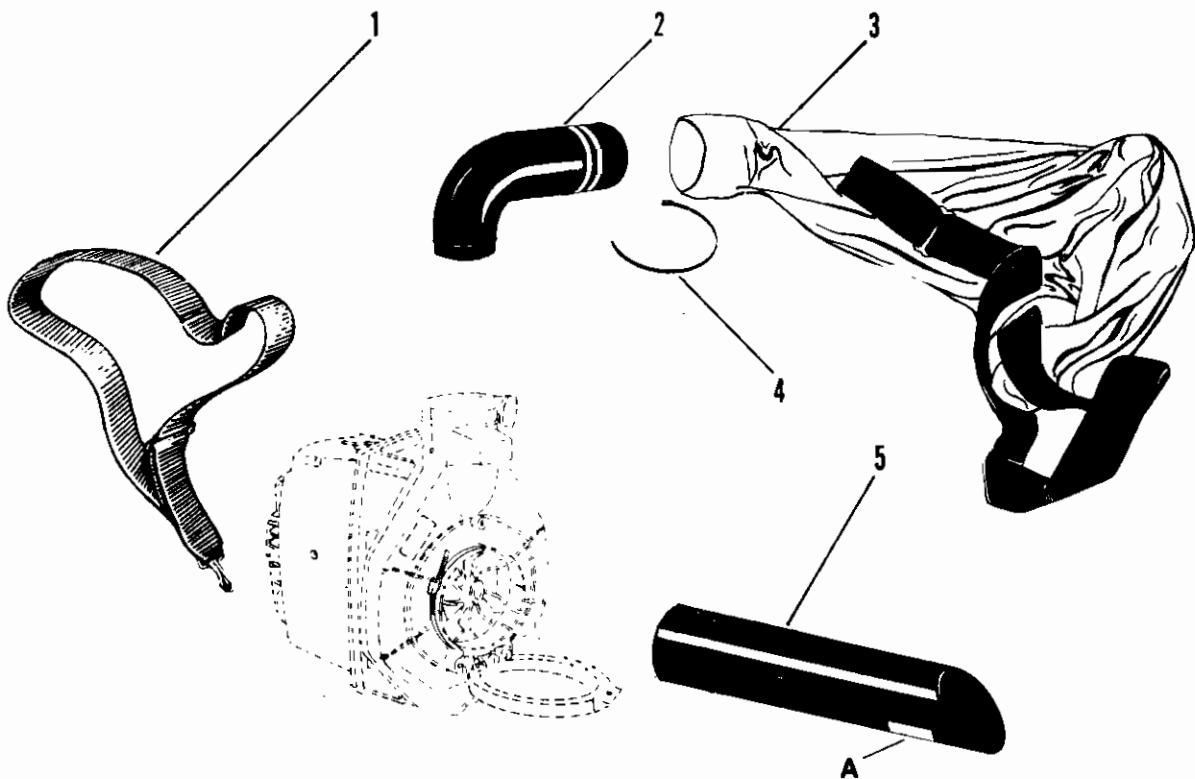
MODEL  
960

### BLOWER ASSEMBLY



KEY NO.	QTY.	PART NO.	DESCRIPTION
1	1	94225	Nozzle - Blower
2	1	94224	Tube - Blower (Upper)

### VACUUM ASSEMBLY



KEY NO.	QTY.	PART NO.	DESCRIPTION
1	1	94394	Strap-Shoulder-Engine
2	1	94231	Tube-Collection Bag
3	1	94399	Bag-Collection w/Strap
4	1	15671	Strap-Tie
5	1	94232	Tube-Suction
DECAL			
A	1	26937	Decal - Suction Tube

# WEED EATER BLOWER/VAC — PARTS LIST

Illustration & Description — 1

MODELS  
960, 965

## GUTTER CLEAN-OUT ATTACHMENT KIT #701586

KEY NO.	PART NO.	QTY.	DESCRIPTION	KEY NO.	PART NO.	QTY.	DESCRIPTION
1	94426	1	Nozzle	6	15666	1	Screw - 1/4 - 20 x 1-1/4
2	94423	1	Elbow	7	15610	1	Nut - 1/4 - 20
3	94425	5	Extension Tube	8	15690	1	Spacer
4	94424	1	Pivot Tube	9	62003	1	Goggles
5	94222	1	Clamp				

