

REPAIR PARTS MANUAL
MODEL NO. 96017000900
Lawn Tractor



HOW TO USE THIS MANUAL

This manual is designed to provide the customer with a means to identify the parts on his/her tractor when ordering repair parts. The illustrations may or may not represent the actual assemblies; therefore, it is not recommended to use this manual as a guide to assemble or disassemble the tractor. Some hardware and parts are drawn larger in order to more readily identify them.

Each tractor has its own model number.

The model number for your tractor can be found on the fender under the seat.

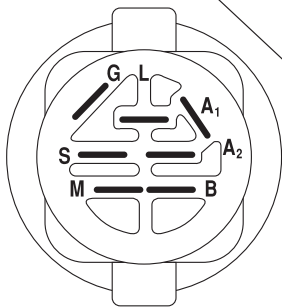
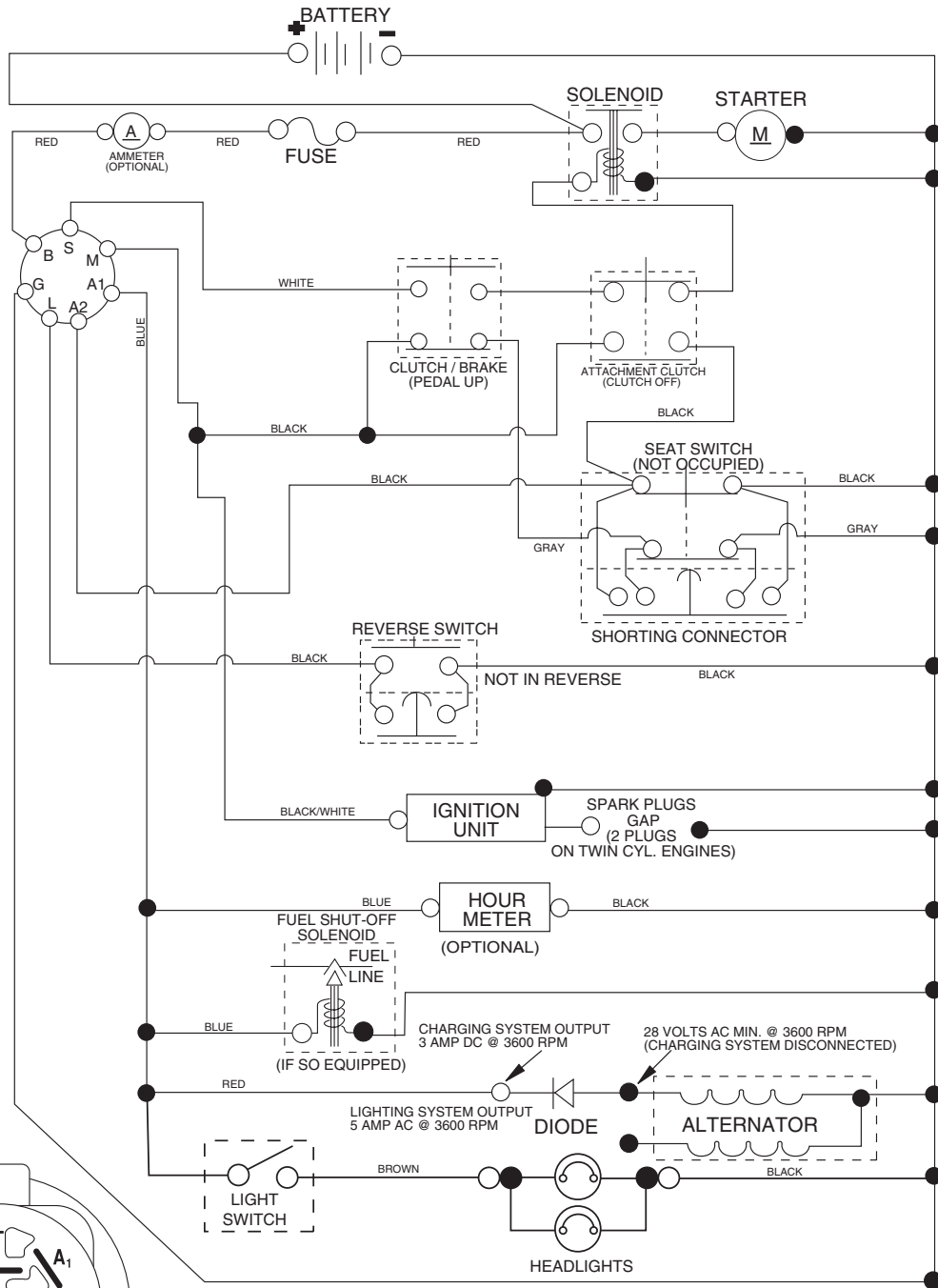
When ordering parts, always give the following information:

- Product - "Tractor"
- Model Number - "96017000900"
- Part Number
- Part Description

TABLE OF CONTENTS

SCHEMATIC	3
ELECTRICAL.....	4-5
CHASSIS	6-7
DRIVE.....	8-9
STEERING	10-11
ENGINE.....	12-13
MOWER DECK	14-15
MOWER LIFT.....	16
DECALS.....	17
SEAT	18
WARRANTY.....	20

TRACTOR - - MODEL NUMBER 96017000900 PRODUCT NO. 960 17 00-09 SCHEMATIC



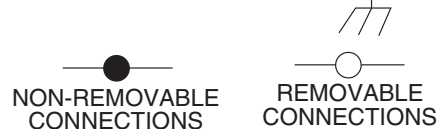
IGNITION SWITCH

POSITION	CIRCUIT "MAKE"
OFF	M+G+A1
RUN/OVERRIDE	B+A1
RUN	B+A1 L+A2
START	B + S + A1

03059

NOTE

YOUR TRACTOR IS EQUIPPED WITH A SPECIAL ALTERNATOR SYSTEM. THE LIGHTS ARE NOT CONNECTED TO THE BATTERY, BUT HAVE THEIR OWN ELECTRICAL SOURCE. BECAUSE OF THIS, THE BRIGHTNESS OF THE LIGHTS WILL CHANGE WITH ENGINE SPEED. AT IDLE THE LIGHTS WILL DIM. AS THE ENGINE IS SPEEDED UP, THE LIGHTS WILL BECOME THEIR BRIGHTEST.



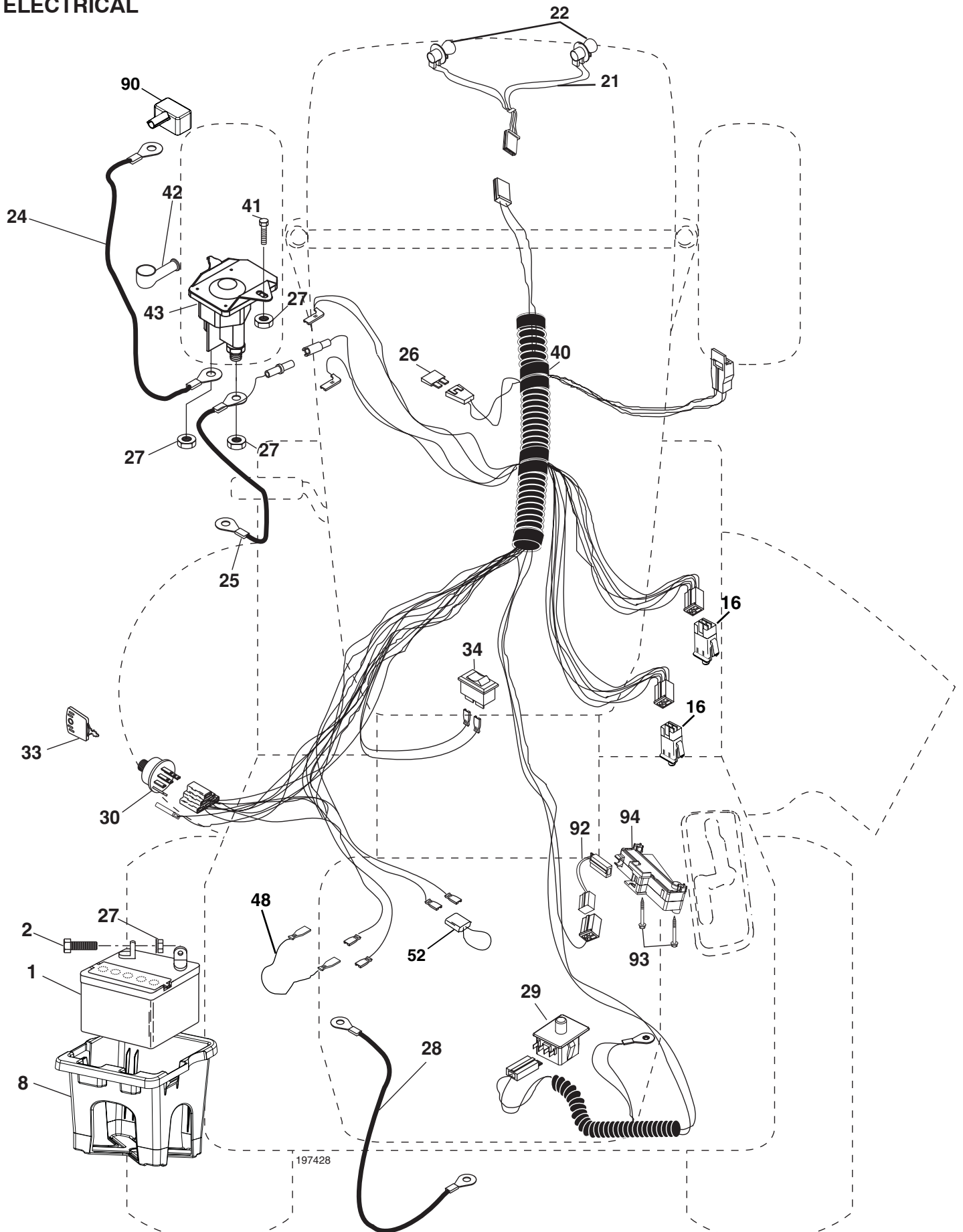
WIRING INSULATED CLIPS

NOTE: IF WIRING INSULATED CLIPS WERE REMOVED FOR SERVICING OF UNIT, THEY SHOULD BE REPLACED TO PROPERLY SECURE YOUR WIRING.

REPAIR PARTS

TRACTOR - - MODEL NUMBER 96017000900 PRODUCT NO. 960 17 00-09

ELECTRICAL



REPAIR PARTS

TRACTOR - - MODEL NUMBER 96017000900 PRODUCT NO. 960 17 00-09
ELECTRICAL

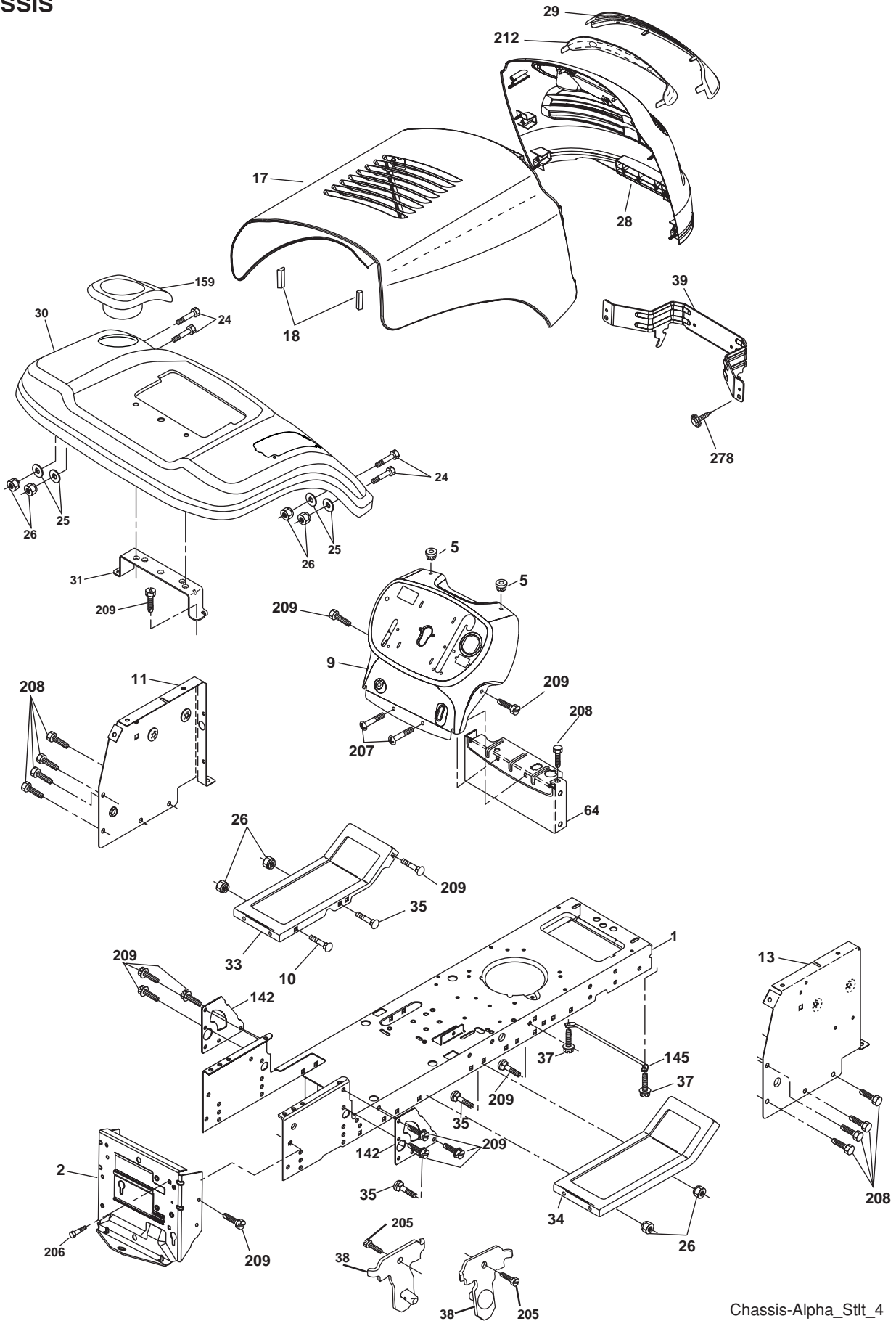
KEY NO.	PART NO.	DESCRIPTION
1	163465	Battery
2	74760412	Bolt Hex Hd 1/4-20 unc x 3/4
8	176689	Box Battery
16	176138	Switch Interlock
21	175688	Harness Asm Light W/4152j
22	4152J	Bulb Light #1156
24	4799J	Cable Battery 6 Ga. 11"red
25	146147	Cable Battery
26	175158	Fuse 20 AMP
27	73510400	Nut Keps Hex 1/4-20 unc
28	4207J	Cable Ground 6 Ga. 12"black
29	192749	Switch
30	193350	Switch Ign
33	140401	Key Ign
34	110712X	Switch Light/Reset
40	197428	Harness Ign
41	71110408	Bolt Blk Fin Hex 1/4-20
42	131563	Cover Terminal Red
43	192507	Solenoid
48	140844	Adapter Ammeter
52	141940	Protection Wire Loop
90	180449	Cover Terminal Battery
92	196615	Harness Pigtail
93	192540	Screw Plastite 10-14 x 2.0
94	191834	Module Reverse

NOTE: All component dimensions given in U. S. inches 1 inch = 25.4 mm.

REPAIR PARTS

TRACTOR - - MODEL NUMBER 96017000900 PRODUCT NO. 960 17 00-09

CHASSIS



Chassis-Alpha_Stlt_4

REPAIR PARTS

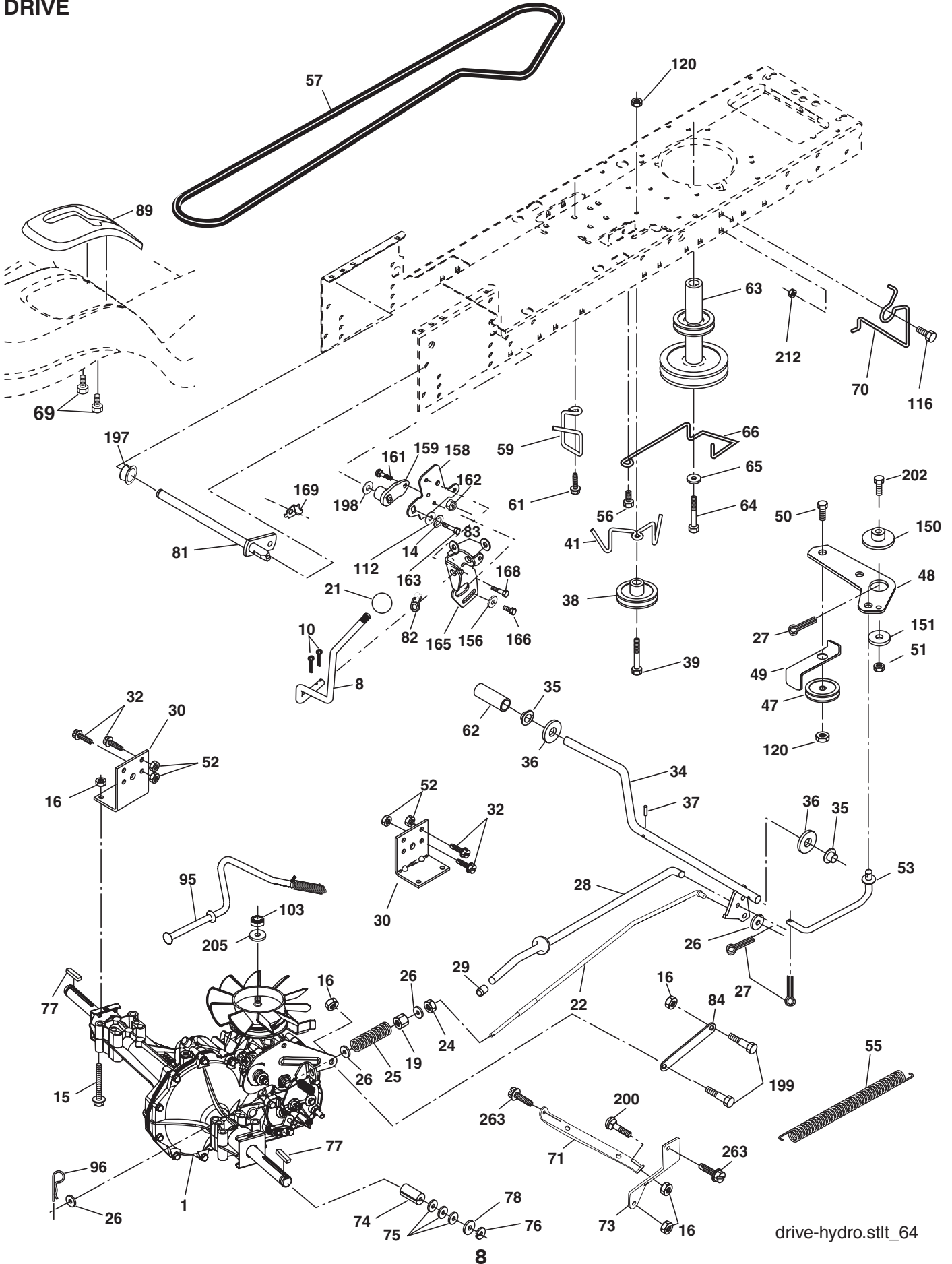
TRACTOR - - MODEL NUMBER 96017000900 PRODUCT NO. 960 17 00-09
CHASSIS

KEY NO.	PART NO.	DESCRIPTION
1	174619	Chassis
2	176554	Drawbar, Stretch
5	155272	Bumper, Hood/Dash
9	193510X010	Dash
10	72140608	Bolt, Carriage 3/8-16 x 1
11	174996	Panel Dash LH
13	172105X010	Panel Silkscr Dash RH
17	187559X505	Hood
18	184921	Bumper Hood
24	74780616	Bolt Fin Hex 3/8-16 unc x 1 Gr. 5
25	19131312	Washer 13/32 x 13/16 x 12 Ga.
26	73800600	Nut Lock Hex w/Ins 3/8-16 unc
28	187598	Grille/Lens Asm (Include Key nos. 29 and 212)
29	187567X599	Lens Grille Basic Bar
30	192528x505	Fender
31	136619	Bracket Fender Repl 109873X
33	179716X505	Footrest Pnt LH
34	179717X505	Footrest Pnt RH
35	72110606	Bolt Rdhd Sht Sqnk 3/8-16 x 3/4
37	17490508	Screw Thdrol 5/16-18 x 1/2 TYT
38	175710	Bracket Asm. Pivot Mower
39	187568	Bracket Pivot
64	154798	Dash Lower
142	175702	Plate Reinforcement
145	409167	Rod Pivot Chassis/Hood
159	169473x428	Cupholder
205	17490608	Screw Thdrol 3/8-16 x 1/2
206	170165	Bolt Shoulder 5/16-18
207	17670508	Screw Thdrol 5/16-18 x 1/2
208	17670608	Screw Thdrol 3/8-16 x 1/2
209	17000612	Screw Hex Wsh Thdrol 3/8-16
212	187569	Insert Lens Reflect
278	191611	Screw 10 x 3/4 Single Lead-Hex
--	5479J	Plug Button Blk 359 Dia Choke
--	187801	Plug Dome Plastic

NOTE: All component dimensions given in U.S. inches
1 inch = 25.4 mm.

REPAIR PARTS

TRACTOR - - MODEL NUMBER 96017000900 PRODUCT NO. 960 17 00-09 DRIVE



REPAIR PARTS

TRACTOR - - MODEL NUMBER 96017000900 PRODUCT NO. 960 17 00-09
DRIVE

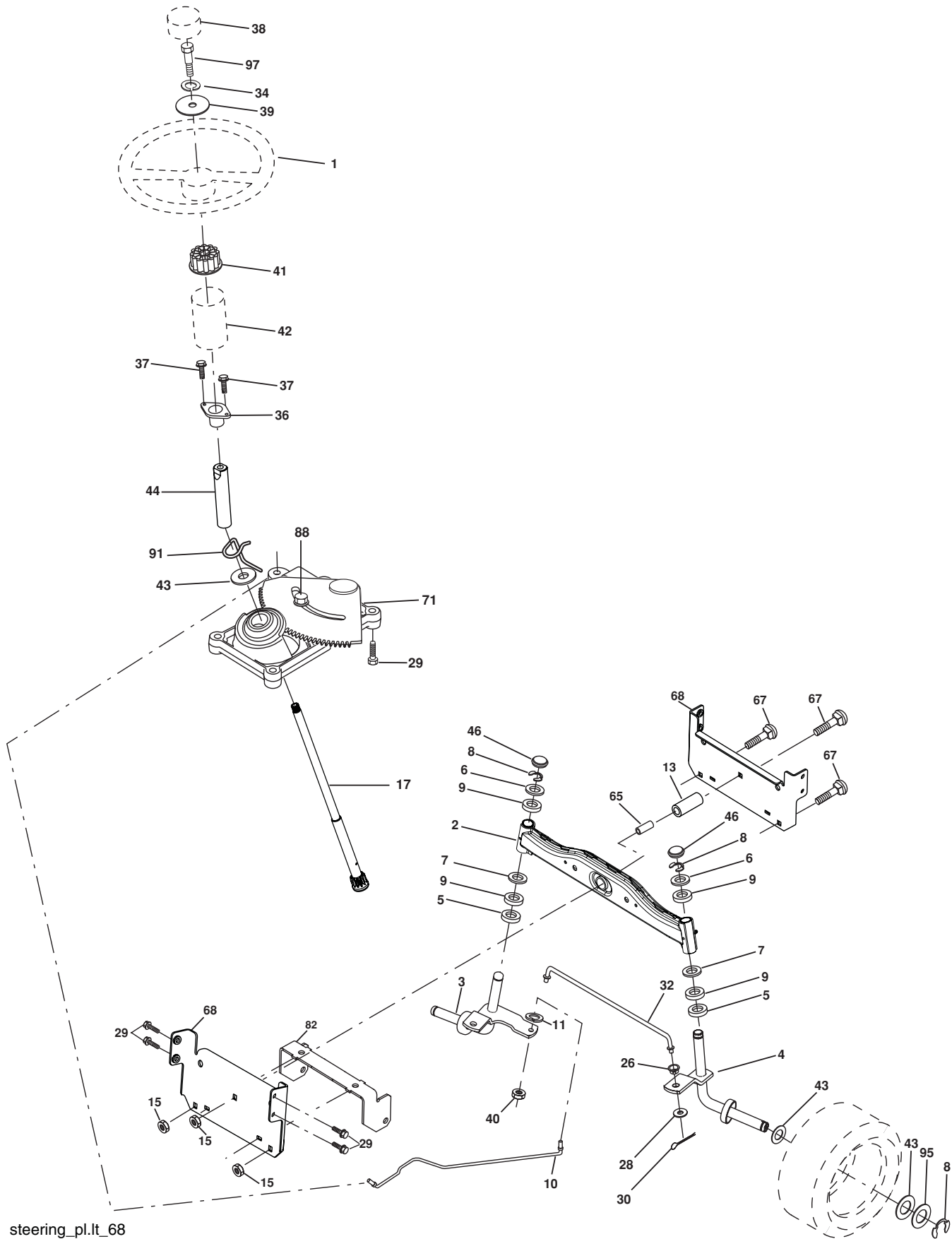
KEY NO.	PART NO.	DESCRIPTION	KEY NO.	PART NO.	DESCRIPTION
1	-----	Transaxle, 322-0510 (Order Parts From Transaxle Manufacturer)	70	134683	Guide Belt Mower Drive RH
8	192706	Rod Shift Fender Adjust STLT	71	169183	Strap Torque LH
10	76020416	Pin Cotter 1/8 x 1 Cad	73	169182	Strap Torque RH
14	10040400	Washer Lock Hvy Helical 1/4	74	137057	Spacer Axle
15	74490544	Bolt 5/16-18 Gr. 5	75	121749	Washer 25/32 x 1 1/4 x 16 Ga.
16	73800500	Nut Lock Hx W/Ins 5/16-18 unc Pl	76	12000001	E-ring #5133-75
19	73800600	Nut Lock 3/8-16 unc	77	123583	Key Square 2 0 x 1845/ 1865
21	140845	Knob	78	121748	Washer 25/32 x 1-5/8 x 16 Ga.
22	169498	Rod Brake Blk Zinc 26 840	81	165596	Shaft Asm Cross Tapered 18"
24	73350600	Nut Hex Jam 3/8-16 unc	82	165711	Spring Torsion T/a
25	106888X	Spring Rod Brake 2 00 Zinc	83	19171216	Washer 17/32 x 3/4 x 16 Ga.
26	19131316	Washer 13/32 x 13/16 x 16 Ga	84	169843	Transaxle Link
27	76020412	Pin Cotter 1/8 x 3/4 Cad	89	192056x428	Console Shift STLT
28	175765	Rod Brake Parking LT/YT	95	170201	Control Asm Bypass
29	71673	Cap Brake Parking	96	4497H	Retainer Spring 1"
30	174973	Bracket Mtg Transaxle	103	19171616	Washer 17/32 x 1 x 16 Ga.
32	74760512	Bolt Hex Hd 5/16-18 unc x 3/4	112	19091210	Washer 9/32 x 3/4 x 10 Ga.
34	175578	Shaft Asm Pedal Foot	116	72140608	Bolt Rdhd Sq Neck 3/8-16 x 1
35	120183	Bearing Nylon Blk 629 Id	120	73900600	Nut Lock Flg. 3/8-16
36	19211616	Washer 21/32 x 1 x 16 Ga	150	175456	Spacer Retainer
37	1572H	Pin Roll 3/16 x 1"	151	19133210	Washer 13/32 x 2 x 10 Ga.
38	179114	Pulley Composite	156	166002	Washer Srrted 5/16 ID x 1.125
39	72110622	Bolt Rdhd 3/8-16 x 2-3/4 Gr. 5	158	165589	Bracket Shift Mount
41	175556	Keeper Belt Idler Flat	159	183900	Hub Shift
47	127783	Pulley Idler V Groove Plastic	161	72140406	Bolt Rdhd Sqnk 1/4-20 x 3/4 Gr. 5
48	154407	Bellcrank Clutch Grnd Drv Stl	162	73680400	Nut Crownlock 1/4-20 unc
49	123205X	Retainer Belt Style Spring	163	74780416	Bolt Hex Fin 1/4-20 unc x 1 Gr. 5
50	72110612	Bolt Carr. sh 3/8-16 x 1-1/2 Gr. 5	165	165623	Bracket Pivot Lever
51	73680600	Nut Crownlock 3/8-16 unc	166	17490510	Screw 5/16-18 x 5/8
52	73680500	Nut Crownlock 5/16-18 unc	168	165492	Bolt Shoulder 5/16-18 x .561
53	199652	Link Clutch	169	165580	Plate Fastening STLT/CRD
55	105709X	Spring Return Clutch 6 75	197	169613	Nyliner Snap-In 5/8" ID
56	17060620	Screw 3/8-16 x 1-1/4	198	169593	Washer Nyl 7/8 Id x .105" Hyd
57	140294	V-Belt	199	169612	Bolt Shoulcer 5/16-18 UNC
59	169691	Keeper Belt Span Ctr	200	72140508	Bolt 5/16 - 18 unc x 1
61	17120614	Screw 3/8-16 x .875	202	72110614	Bolt 3/8-16 x 1-3/4 Gr. 5
62	8883R	Cover Pedal	205	73940800	Nut Hex Jam Toplock 1/2-20 UNF
63	175410	Engine Pulley	212	145212	Nut Hex Flg Lock
64	173937	Bolt Hex	263	17000612	Screw 3/8-16 x 3/4
65	10040700	Washer Lock Hvy Hlcl Spr 7/16			
66	154778	Keeper Belt Engine Foolproof			
69	142432	Screw Hex Wsh Hi-Lo 1/4-1/2 unc			

NOTE: All component dimensions given in U.S. inches
1 inch = 25.4 mm

REPAIR PARTS

TRACTOR - - MODEL NUMBER 96017000900 PRODUCT NO. 960 17 00-09

STEERING



steering_pl.ft_68

REPAIR PARTS

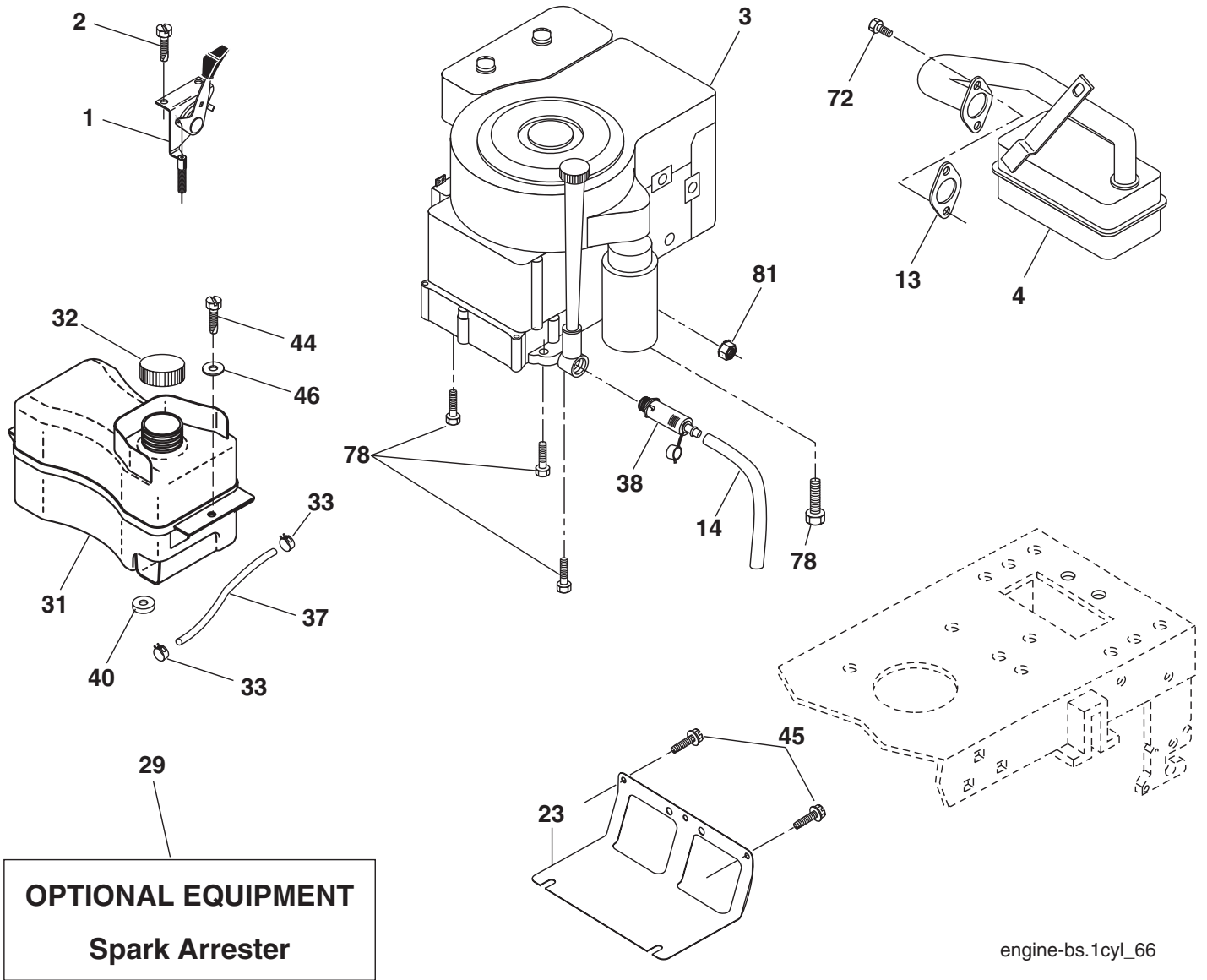
TRACTOR - - MODEL NUMBER 96017000900 PRODUCT NO. 960 17 00-09
STEERING

KEY NO.	PART NO.	DESCRIPTION
1	186780	Wheel Steering
2	195673	Axle Asm
3	169840	Spindle Asm LH
4	169839	Spindle Asm RH
5	6266H	Bearing Race Thrust Harden
6	121748X	Washer 25/32 x 1-5/8 x 16 Ga.
7	19272016	Washer 27/32 x 1-1/4 x 16 Ga.
8	12000029	Ring Klip #t5304-75
9	3366R	Bearing Col Strg Blk
10	175121	Link Drag
11	10040600	Washer Lock Hvy Hlcl Spr 3/8
13	136518	Spacer earing Axle Front
15	145212	Hexflange Lock
17	411386	Shaft Asm Strg
26	126847X	Bushing Link Drag Blk LR
28	19131416	Washer 13/32 x 7/8 x 16 Ga.
29	17000612	Screw 3/8-16 x 3/4
30	76020412	Pin Cotter 1/8 x 3/4 Cad
32	192757	Rod Tie Wire Form 19 75 Mech
34	10040500	Washer Lock Hvy Hlcl Spr 5/16
36	155099	Bushing Strg 5/8 Id Dash
37	152927	Screw
38	192916	Cap Wheel Steer Ayp
39	19113812	Washer 11/32 ID x 2-3/8 OD x 12 Ga.
40	73540600	Nut Crownlock 3/8-24
41	186737	Adaptor Wheel Strg
42	145054X428	Boot Dash Mtl Steering Blk
43	121749X	Washer 25/32 x 1 1/4 x 16 Ga.
44	190752	Extension Steering
46	121232X	Cap Spindle Fr Top Blk
65	160367	Spacer Brace Axle
67	72110618	Bolt RDHD SQNK 3/8-16 x 2-1/4
68	169827	Brace Axle
71	175146	Steering Asm.
82	199978	Bracket Susp Chassis Front
88	175118	Bolt Shoulder 7/16-20
91	175553	Clip Steering
95	188967	Washer Harden .793 x 1.637 x 060
97	74780564	Bolt 5/16-18 unc x 4"L Hlcl Spr. 5/16

NOTE: All component dimensions given in U.S. inches
1 inch = 25.4 mm.

REPAIR PARTS

TRACTOR - - MODEL NUMBER 96017000900 PRODUCT NO. 960 17 00-09
ENGINE



REPAIR PARTS

TRACTOR - - MODEL NUMBER 96017000900 PRODUCT NO. 960 17 00-09
ENGINE

KEY NO.	PART NO.	DESCRIPTION
1	170551	Control Th/ch Flag
2	17720408	Screw Hex Thd Cut 1/4-20 x 1/2
3	-----	Engine, B&S 31A607 (Order parts from engine manufacturer)
4	137352	Muffler Exhaust B&S
13	165291	Gasket
14	148456	Tube Drain Oil Easy
23	169837	Shield BRN/DBR Guard
29	137180	Kit Spark Arrestor (Flat Scrn)
31	407516	Tank Fuel Front
32	197725	Cap Asm Fuel
33	123487X	Clamp Hose
37	401137	Line Fuel 22"
38	181654	Plug Drain Oil
40	124028X	Bushing Snap Nyl Blk Fuel Line
44	17670412	Screw Thdrol 1/4-20 x 3/4
45	17000612	Screw Hex Wsh Thdrol 3/8-16
46	19091416	Washer 9/32 x 7/8 x 16 Ga.
72	192334	Screw Socket Hd 5/16-18 x .75
78	17060620	Screw 3/8-16 x 1-1/4
81	73510400	Nut Keps Hex 1/4-20 unc

NOTE: All component dimensions given in U.S. inches
1 inch = 25.4 mm

For engine service and replacement parts, call the toll free number for your engine manufacturer listed below:

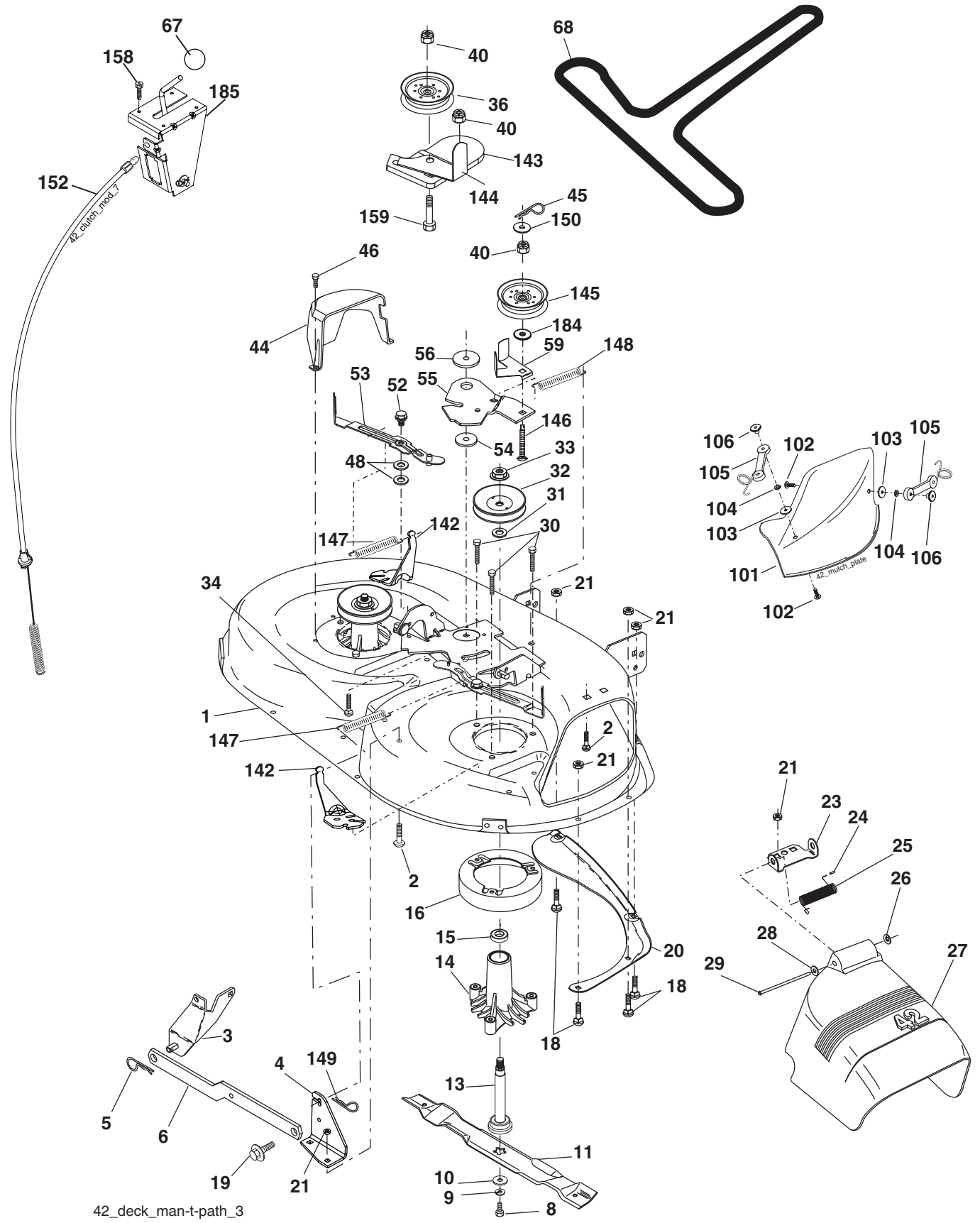
Briggs & Stratton	1-800-233-3723
Kohler Co.	1-800-544-2444
Tecumseh Products	1-800-558-5402
Honda Engines	1-800-426-7701
Kawasaki	1-949-460-5688

Engine Power Rating Information

The gross power rating for individual gas engine models is labeled in accordance with SAE (Society of Automotive Engineers) code J11940 (Small Engine Power & Torque Rating Procedure), and rating performance has been obtained and corrected in accordance with SAE J1995 (Revision 2002-5). Actual gross engine power will be lower and is affected by, among other things, ambient operating conditions and engine-to-engine variability. Given both the wide array of products on which engines are placed and the variety of environmental issues applicable to operating the equipment, the gas engine will not develop the rated gross power when used in a given piece of power equipment (actual "on-site" or net horsepower). This difference is due to a variety of factors including, but not limited to, accessories (air cleaner, exhaust, charging, cooling, carburetor, fuel pump, etc.), application limitations, ambient operating conditions (temperature, humidity, altitude), and engine-to-engine variability. Due to manufacturing and capacity limitations, Briggs & Stratton may substitute an engine of higher rated power for this Series engine.

REPAIR PARTS

TRACTOR - - MODEL NUMBER 96017000900 PRODUCT NO. 960 17 00-09
MOWER DECK



42_deck_man-t-path_3

REPAIR PARTS

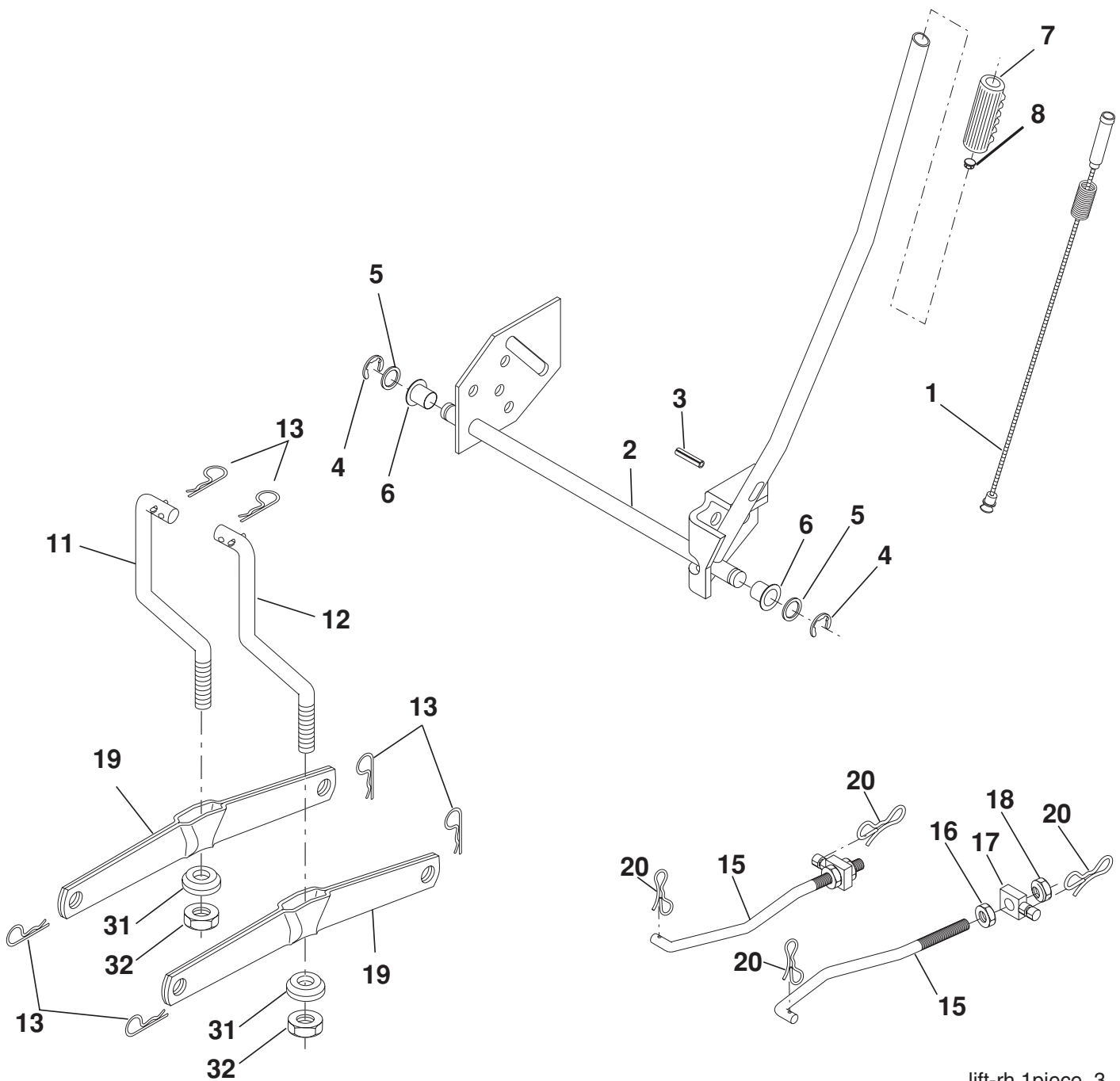
**TRACTOR - - MODEL NUMBER 96017000900 PRODUCT NO. 960 17 00-09
MOWER DECK**

KEY NO.	PART NO.	DESCRIPTION	KEY NO.	PART NO.	DESCRIPTION
1	165892	Mower Deck Assembly, 42"	46	137729	Screw, Thdrol 1/4-20 x 5/8 T
2	72140506	Bolt	48	133944	Washer, Hardened
3	138017	Bracket Asm Fr. Sway Bar 3/42	52	139888	Bolt, Shoulder 5/16-18 unc
4	165460	Bracket Asm Deck 42" Sway Bar	53	184907	Arm Assembly, Pad, Brake
5	4939M	Retainer Spring	54	178515	Washer, Hardened
6	178024	Bar Sway Deck	55	155046	Arm, Idler
8	850857	Bolt 3/8-24 x 1.25 Gr. 8 patched	56	165723	Spacer, Retainer
9	10030600	Washer, Lock	59	141043	Guard TUV Idler
10	140296	Washer, Hardened	67	106932X	Knob Round
		(The following Blades are available)	68	144959	V-Belt, 42" Mower
11	134149	Blade, Mulching 42" Std (for mulching mowers only)	101	193107	Cover Mulching 42"
--	138971	Blade Mower 42" Hi-Lift (for bagging and discharging)	102	71081010	Screw Pan HD Phillip 10-24 x 5/8
--	139775	Blade Mulching 42" Premium (For better wear when mulching)	103	19061216	Washer
			104	10071000	Washer Lock
13	137645	Shaft Assembly, Mandrel, Vented	105	160793	Latch Asm. Mulch/Bagger
14	128774	Housing, Mandrel, Vented	106	2029J	Nut Weld .328/.304 #10-24
15	110485X	Bearing, Ball, Mandrel	142	165890	Arm Spring Brake Mower
16	174493	Stripper, Mandrel Deck	143	157109	Bracket Arm Idler 42"
18	72140505	Bolt, Carriage 5/16-18 x 5/8	144	158634	Keeper Belt 42" Clutch Cable
19	132827	Bolt, Shoulder	145	165888	Pulley Idler Flat
20	159770	Baffle, Vortex	146	171977	Bolt Carriage Idler
21	73680500	Nut	147	131335	Spring Extension
23	177563	Bracket, Deflector Mower 42"	148	169022	Spring Return Idler
24	105304X	Cap, Sleeve 80 x 112 Blk Mower	149	165898	Retainer Spring Yellow
25	123713X	Spring, Torsion, Deflector 2 52	150	19091210	Washer 9/32 x 3/4 x 10 Ga.
26	110452X	Nut, Push Phos & Oil	152	169676	Clutch Cable 42"
27	130968X428	Shield, Deflector 42" Blk	158	17720408	Screw Hex Thd Cut 1/4-20 x 1/2
28	19111016	Washer 11/32 x 5/8 x 16 Ga.	159	72140614	Bolt Rdhd Sqn 3/8-16 unc x 1-3/4
29	131491	Rod, Hinge 42" 6 75 W/G	184	19131410	Washer 13/32 x 7/8 x 10 Ga.
30	173984	Screw Thdrol	185	188234	Head Asm Cable Clutch
31	187690	Washer, Spacer Mower Vented	--	130794	Mandrel Assembly (Includes Housing Shaft and Shaft Hardware Only - Pulley Not Included)
32	153535	Pulley, Mandrel	--	169583	Replacement Mower, Complete
33	400234	Nut, Toplock			
34	72110612	Bolt Carr SH 3/8-16 x 1-1/2 Gr.5			
36	131494	Pulley, Idler, Flat			
40	73900600	Nut Lock 3/8-16			
44	140088	Guard, Mandrel, LH			
45	4497H	Retainer			

NOTE: All component dimensions given in U.S. inches
1 inch = 25.4 mm

REPAIR PARTS

TRACTOR - - MODEL NUMBER 96017000900 PRODUCT NO. 960 17 00-09
MOWER LIFT



lift-rh.1piece_3

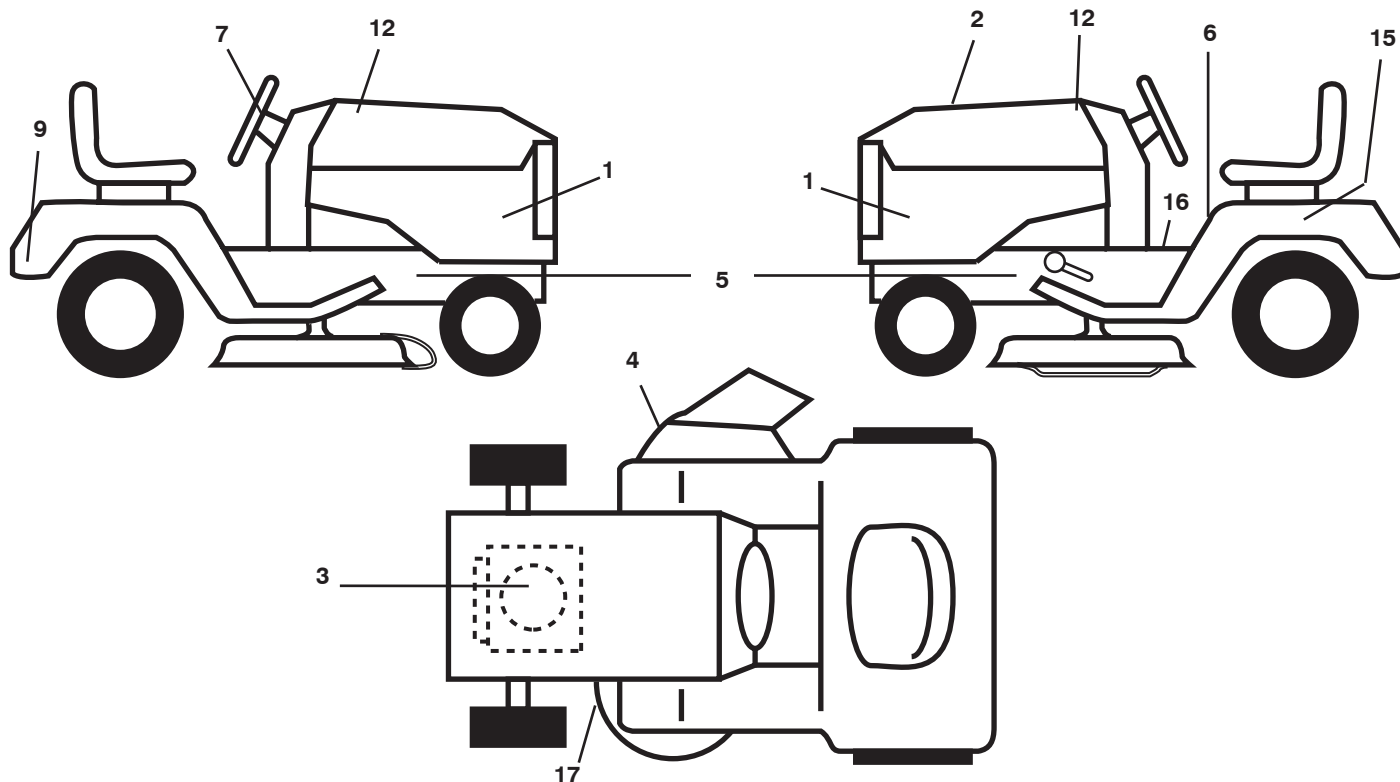
KEY NO.	PART NO.	DESCRIPTION
1	159460	Wire Asm Inner/Sprg w/plunger
2	159471	Shaft Asm Lift RH
3	105767X	Pin Groove 1 500 Zinc
4	12000002	E Ring #5133-62
5	19211621	Washer 21/32 x 1 x 21 Ga.
6	120183X	Bearing Nylon Blk 629 Id
7	109413X	Grip Handle Bicycle Matte Blk
8	124526X	Button Plunger Black
11	139865	Link Lift LH Fixed Length
12	139866	Link Lift RH Fixed Length
13	4939M	Retainer Spring

KEY NO.	PART NO.	DESCRIPTION
15	173288	Link Front
16	73350800	Nut Jam Hex 1/2-13 unc
17	175689	Trunnion
18	73800800	Nut Lockw/Wsh 1/2-13 unc
19	139868	Arm Suspension Rear
20	194209	Pin Cotter 7/16 Bow Tie Lock
31	169865	Bearing Pvt Lift
32	73540600	Nut Crownlock 3/8-24

NOTE: All component dimensions given in U.S. inches
1 inch = 25.4 mm.

REPAIR PARTS

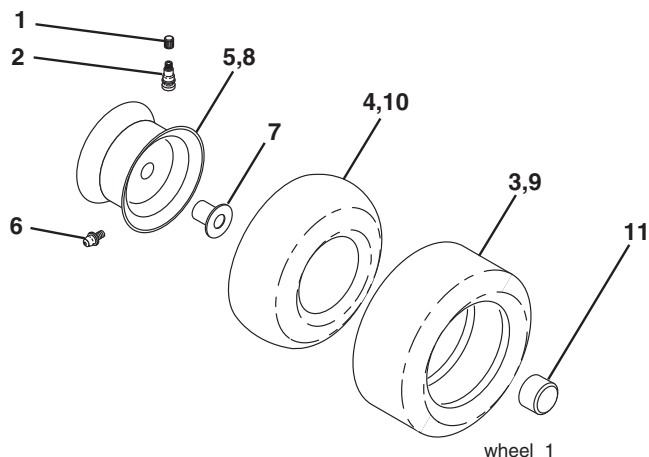
TRACTOR - - MODEL NUMBER 96017000900 PRODUCT NO. 960 17 00-09
DECALS



KEY NO.	PART NO.	DESCRIPTION
1	413702	Decal, Side Panel
2	412733	Decal, Replacement
3	408817	Decal, Engine HP
4	170563	Decal, Warning
5	404070	Decal, Chassis
7	412352	Decal, Ins Str Wh
9	412353	Decal Fender
12	412351	Decal, Hood

KEY NO.	PART NO.	DESCRIPTION
15	145005	Decal, Caution Battery
16	411658	Decal, Fender Warning
17	160396	Decal, V-Belt Sch.
--	138311	Decal, Handle Lft Height Adj.
--	179769X428	Pad Footrest RH
--	179768X428	Pad Footrest LH
--	166960	Decal, Bypass
--	412660	Manual, Operator's E&F
--	412661	Manual, Parts E&F

WHEELS & TIRES

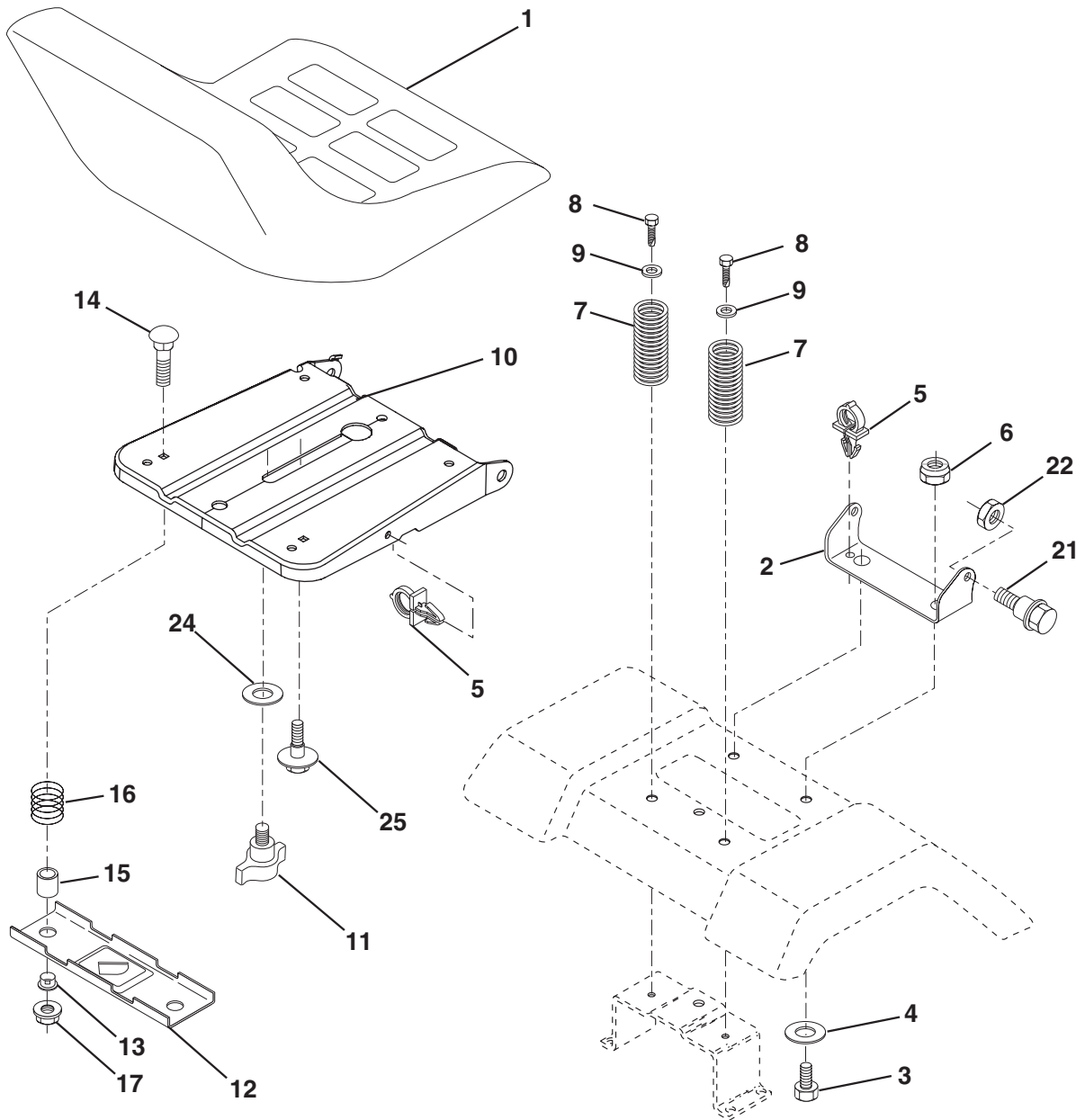


KEY NO.	PART NO.	DESCRIPTION
1	59192	Cap, Tire valve
2	65139	Stem, Valve
3	106222X	Tire, Front
4	59904	Tube, Front (Service item only)
5	106732X624	Rim assembly, 6" front
6	278H	Fitting, Grease (Front wheel only)
7	9040H	Bearing, Flange (Front wheel only)
8	106108X624	Rim assembly, 8" rear
9	106268	Tire, Rear
10	7152J	Tube, Rear (Service item only)
11	104757X428	Cap, Hub Axle
--	144334	Sealant, Tire (10 oz. Tube)

NOTE: All component dimensions given in U.S. inches
1 inch = 25.4 mm

REPAIR PARTS

TRACTOR - - MODEL NUMBER 96017000900 PRODUCT NO. 960 17 00-09
SEAT



seat_lt.knob_13

KEY NO.	PART NO.	DESCRIPTION
1	197895	Seat
2	140551	Bracket Seat Pivot
3	71110616	Bolt Hex 3/8 - 16 x 1
4	19131610	Washer 13/32 x 1 x10 Ga.
5	145006	Clip Push-In Hinged
6	73800600	Nut Lock Hex w/Ins 3/8 - 16
7	124181X	Spring Seat Cprsn 2 250 Blk Zi
8	17000616	Screw 3/8-16 x 1.5
9	19131614	Washer 13/32 x 1 x 14 Ga.
10	195530	Pan Asm. Seat
11	166369	Knob Seat
12	174648	Bracket Pnt Mounting Switch

KEY NO.	PART NO.	DESCRIPTION
13	121248X	Bushing Snap Blk Nyl
14	72050412	Bolt Rdhd Sht Nk 1/4 - 20 x 1 -1/2
15	134300	Spacer Split .28 x .96
16	121250X	Spring Cprsn
17	123976X	Nut Lock 1/4 Lge Flg
21	171852	Bolt Shoulder 5/16-18 unc-2A
22	73800500	Nut Lock Hex w/Ins 5/16 - 18
24	19171912	Washer 17/32 x 1-3/16 x 12 Ga.
25	127018X	Bolt Shoulder 5/16-18 x .62

NOTE: All component dimensions given in U.S. inches
1 inch = 25.4 mm.

SERVICE NOTES

LIMITED WARRANTY

The Manufacturer warrants to the original consumer purchaser that this product as manufactured is free from defects in materials and workmanship. For a period of two (2) years from date of purchase by the original consumer purchaser, we will repair or replace, at our option, without charge for parts or labor incurred in replacing parts, any part which we find to be defective due to materials or workmanship. This Warranty is subject to the following limitations and exclusions.

1. This warranty does not apply to the engine, other than HOP manufactured transaxle/transmission components, battery (except as noted below) or components parts thereof. Please refer to the applicable manufacturer's warranty on these items.
2. Transportation charges for the movement of any power equipment unit or attachment are the responsibility of the purchaser. Transportation charges for any parts submitted for replacement under this warranty must be paid by the purchaser unless such return is requested by HOP.
3. **Battery Warranty:** On products equipped with a Battery, we will replace, without charge to you, any battery which we find to be defective in manufacture, during the first ninety (90) days of ownership. After ninety (90) days, we will exchange the Battery, charging you 1/12 of the price of a new Battery for each full month from the date of the original sale. Battery must be maintained in accordance with the instructions furnished.
4. The Warranty period for any products used for rental or commercial purposes is limited to 90 days from the date of original purchase.
5. This Warranty applies only to products which have been properly assembled, adjusted, operated, and maintained in accordance with the instructions furnished. This Warranty does not apply to any product which has been subjected to alteration, misuse, abuse, improper assembly or installation, delivery damage, or to normal wear of the product.
6. **Exclusions:** Excluded from this Warranty are belts, blades, blade adapters, normal wear, normal adjustments, standard hardware and normal maintenance.
7. In the event you have a claim under this Warranty, you must return the product to an authorized service dealer.

Should you have any unanswered questions concerning this Warranty, please contact:

Briggs and Stratton Canada
Customer Service
1195 Courtneypark Dr. East
Mississauga, Ontario
L5T-1R1

Or, Call Toll Free:
1-800-661-6662
8:30 am - 5 pm ET, Mon - Fri
and ask for Customer Service

giving the model number, serial number and date of purchase of your product and the name and address of the authorized dealer from whom it was purchased.

THIS WARRANTY DOES NOT APPLY TO INCIDENTAL OR CONSEQUENTIAL DAMAGES AND ANY IMPLIED WARRANTIES ARE LIMITED TO THE SAME TIME PERIODS STATED HEREIN FOR OUR EXPRESSED WARRANTIES. Some areas do not allow the limitation of consequential damages or limitations of how long an implied Warranty may last, so the above limitations or exclusions may not apply to you. This Warranty gives you specific legal rights, and you may have other rights which vary from locale to locale.

This is a limited Warranty within the meaning of that term as defined in the Magnuson-Moss Act of 1975.

GARANTIE LIMITÉE

Le Fabricant garantit à l'acheteur initial que son produit tel que manufacturé est libre de défaut de matière et d'ouvrage. Pendant deux (2) ans, à compter de la date d'achat de la part de l'acheteur initial, nous réparerons ou remplacerons à notre choix, gratuitement, toute pièce, sur laquelle nous estimerons qu'il existe un défaut de matière ou d'ouvrage. Cette garantie est soumise aux limitations et exceptions suivantes:

1. Cette garantie ne couvre pas le moteur, la transmission/composants de transmission pas fabriqués par HOP, la batterie (sauf comme mentionnée ci-dessous) ou les pièces détachées. Veuillez-vous consulter la garantie applicable du fabricant des articles.

2. L'acheteur est responsable des frais de transport de tous les équipements actionnés par moteur ou les accessoires. L'acheteur est responsable des frais aussi de transport de toutes les pièces (couvertes par cette garantie) soumis pour le remplacement à moins que HOP demande à l'acheteur de renvoyer les pièces.

3. Garantie de la batterie: Pour les produits équipés d'une batterie, nous remplacerons, gratuitement, toute batterie estimée défectueuse pendant les quatre-vingt-dix (90) jours initiaux suivant l'achat. Après quatre-vingt-dix (90) jours, nous échangerons la batterie, le coût pour vous être 1/12 du prix d'une nouvelle batterie pour chaque mois complet à compter de la date d'achat initiale. La batterie doit être entretenue selon les directives données dans la documentation appropriée.

4. La période de garantie applicable aux produits proposés en location ou à des fins commerciales est limitée à quatre-vingt-dix (90) jours à compter de la date d'achat initiale.

5. Cette garantie ne s'applique qu'aux produits correctement montés, réglés, utilisés et entretenus conformément aux instructions données dans la documentation appropriée. Cette garantie ne s'applique pas aux produits qui ont été modifiés, utilisés incorrectement, abusés, mal installés ou avariés lors de la livraison ou usage normal.

6. Exclusions: Les courroies, les lames, les adaptateurs de lame, l'usage normal, les réglages normaux, la visserie standard, et l'entretien normal sont exclus de cette garantie.

7. En cas de problème entrant dans le cadre de cette garantie, veuillez-vous retourner votre machine à un concessionnaire autorisé.

Si vous avez aucune question sans réponse concernant cette garantie, s'il vous plaît contactez:

en nous donnant le numéro du modèle, le numéro de série, la date d'achat de votre machine ainsi que l'adresse du concessionnaire

Où, Appelez Pège Librement:

1-800-661-6662

8:30 am – 5 pm ET, Mon-Fri

et demandez l'assistance aux Clients

Briggs and Stratton Canada

l'assistance aux Clients

1 95 Courtney Park Dr. East

Mississauga, Ontario

L5T-1R1

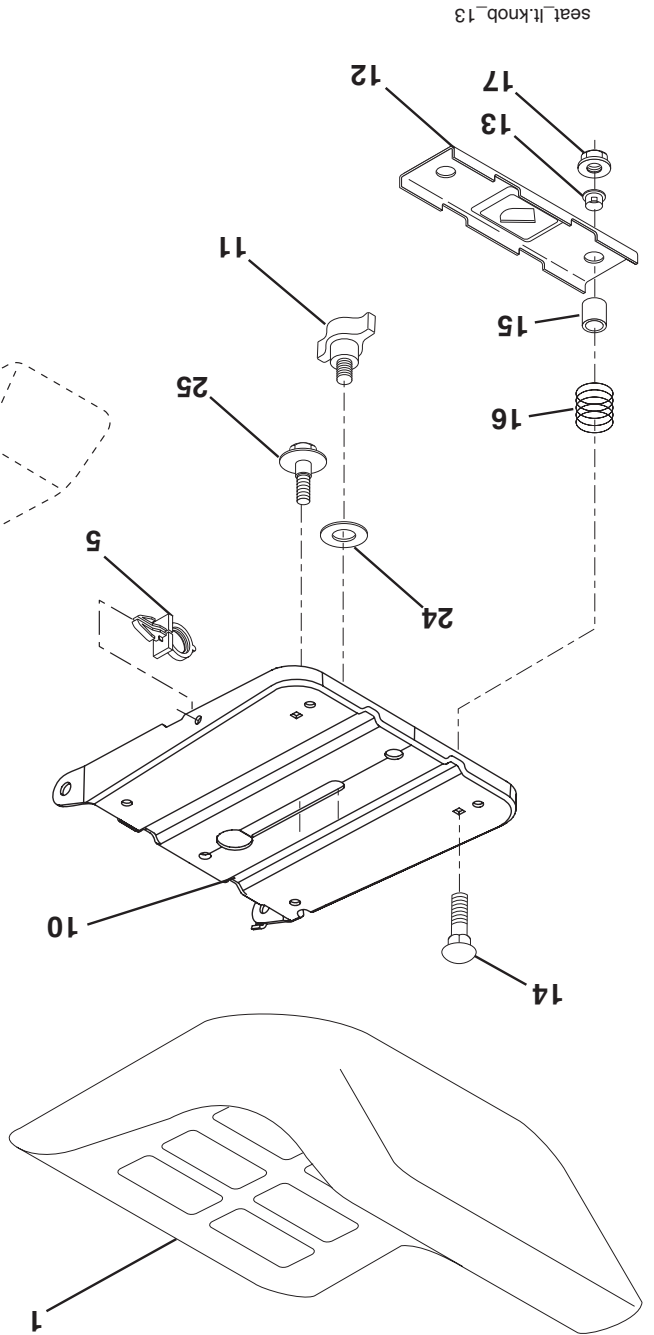
autorisé chez qui vous l'avez acheté.

CETTE GARANTIE NE COUVRE AUCUN DOMMAGE INCIDENTEL OU CONSÉQUENT ET TOUTE GARANTIE IMPLICITE EST LIMITEE AUX MEMES PERIODES PRECISEES ICI POUR LES GARANTIES EXPLICITES DU FABRICANT. Certaines localités ne permettent aucune restriction des dommages conséquents ou de la durée d'une garantie implicite et; par conséquent, il se pourrait que les restrictions et exclusions énoncées ci-dessus ne s'appliquent pas à vous. Cette garantie vous donne droits légaux spécifiques et vous pouvez aussi jouir d'autres droits d'un endroit à un autre.

Cette garantie est une garantie limitée comme définie dans la loi Magnuson-Moss Act de 1975.

PIÈCES DE REMPLACEMENT

TRACTEUR -- NO. DE MODÈLE 9601700900, NO. DE PRODUIT 960 17-00-09
ENSEMBLE DU SIÈGE

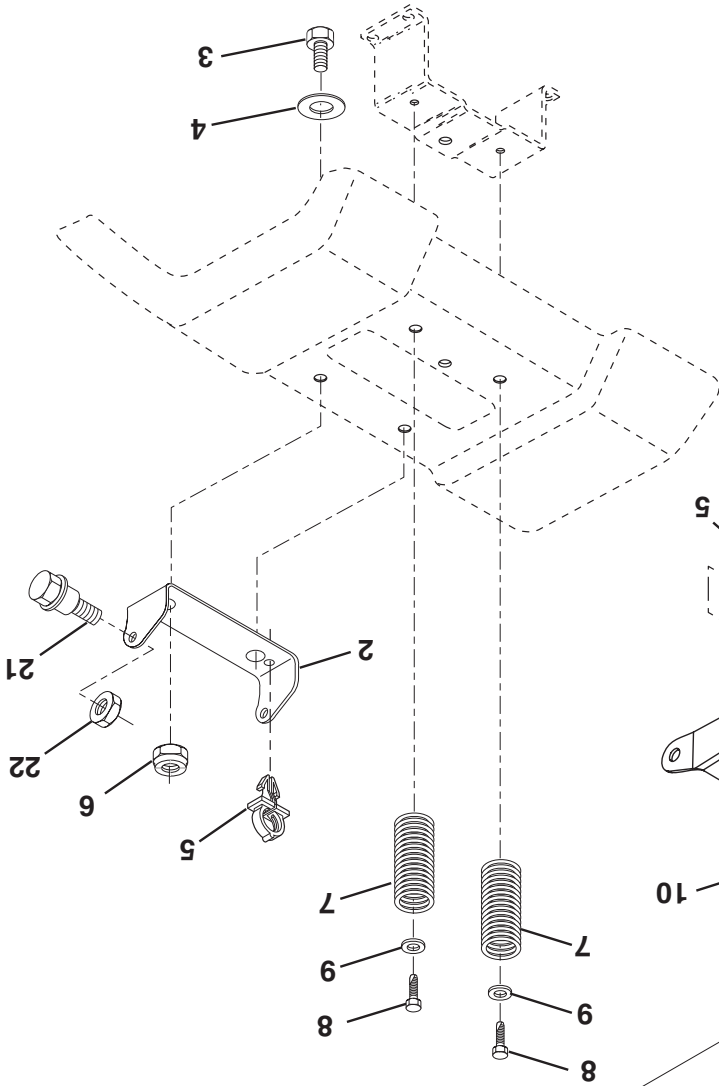


NO. NO. DÉ. DÉ. REF. PIÈCE

1	197895	Siège
2	140551	Support de pivot de siège
3	71110616	Boulon
4	19131610	Rondelle 13/32 x 3/4 x 10 Ja.
5	145006	Collier presse
6	73800600	Ecrou
7	124181X	Ressort de compression de siège
8	1700616	Vis 3/8-16 x 1,5
9	19131614	Rondelle 13/32 x 1 x 14 Ja.
10	195530	Cuvette de siège
11	166369	Siège De Boulon
12	174648	Support de montage de l'interrupteur

NO. NO. DÉ. DÉ. REF. PIÈCE DESCRIPTION

13	121248X	Douille de bouton-pression
14	72050412	Boulon de chariot 1/4-20 x 1-1/2
15	134300	Entretoise fendue
16	121250X	Ressort de compression
17	123976X	Ecrou frein à bride grande 1/4 Cat. 5
21	171852	Boulon à épaulement 5/16-18 unc-2A
22	73800500	Ecrou
24	19171912	Rondelle 17/32 x 1-3/16 x 12 Ja.
25	127018X	Boulon à épaulement 5/16-18 x 62



seat_ltknob_13

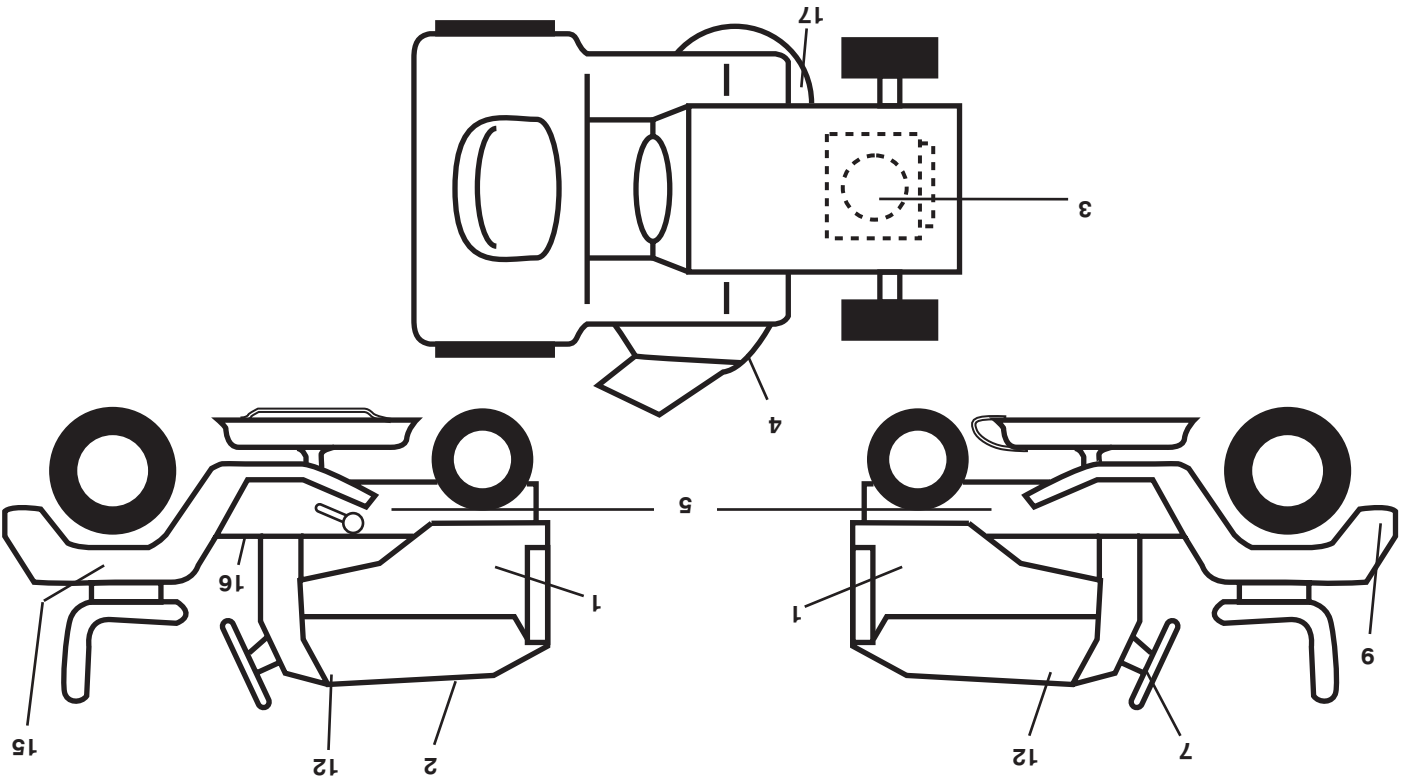
18

REMARQUE: Toutes les dimensions de composant sont données en pouces E.-U. -- 1 pouce = 25,4 mm.

PIÈCES DE REMPLACEMENT

TRACTEUR -- NO. DE MODÈLE 96017000900, NO. DE PRODUIT 960 17-00-09

DÉCALCOMANIES



NO. NO.
DÉ DE
REF. PIÈCE

DESCRIPTION

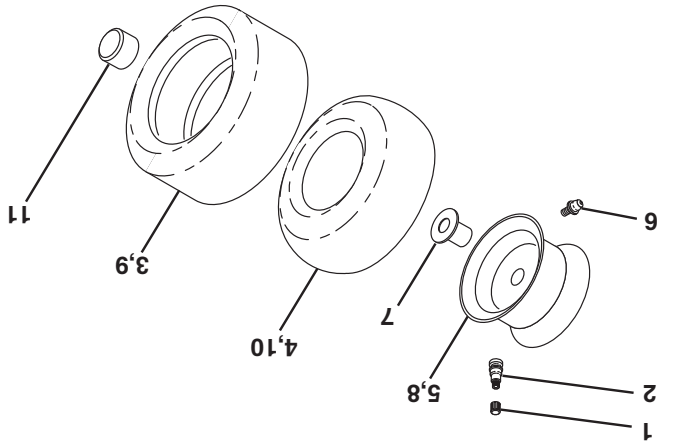
- 1 413702 Décalcomanie de côté
- 2 412733 Décalcomanie Remplacer
- 3 408817 Décalcomanie de C.V. du moteur
- 4 170563 Décalcomanie d'avertissement
- 5 404070 Décalcomanie
- 7 412352 Décalcomanie de l'insert du volant de direction
- 9 412353 Décalcomanie Aile
- 12 412351 Décalcomanie de capot
- 15 145005 Décalcomanie de danger/poison de la

NO. NO.
DÉ DE
REF. PIÈCE

DESCRIPTION

- 16 411658 Décalcomanie Tableau de bord batterie
- 17 160396 Décalcomanie pour la Ceinture d'avertissement
- 179769X428 Le coussin pour le pied gauche
- 179768X428 Le coussin pour le pied droit
- 138311 Décalcomanie de poignée de levage
- 166960 Décalcomanie Bypass
- 412660 Manuel du propriétaire (A&F)
- 412661 Manuel du pièces (A&F)

ROUES & PNEUS



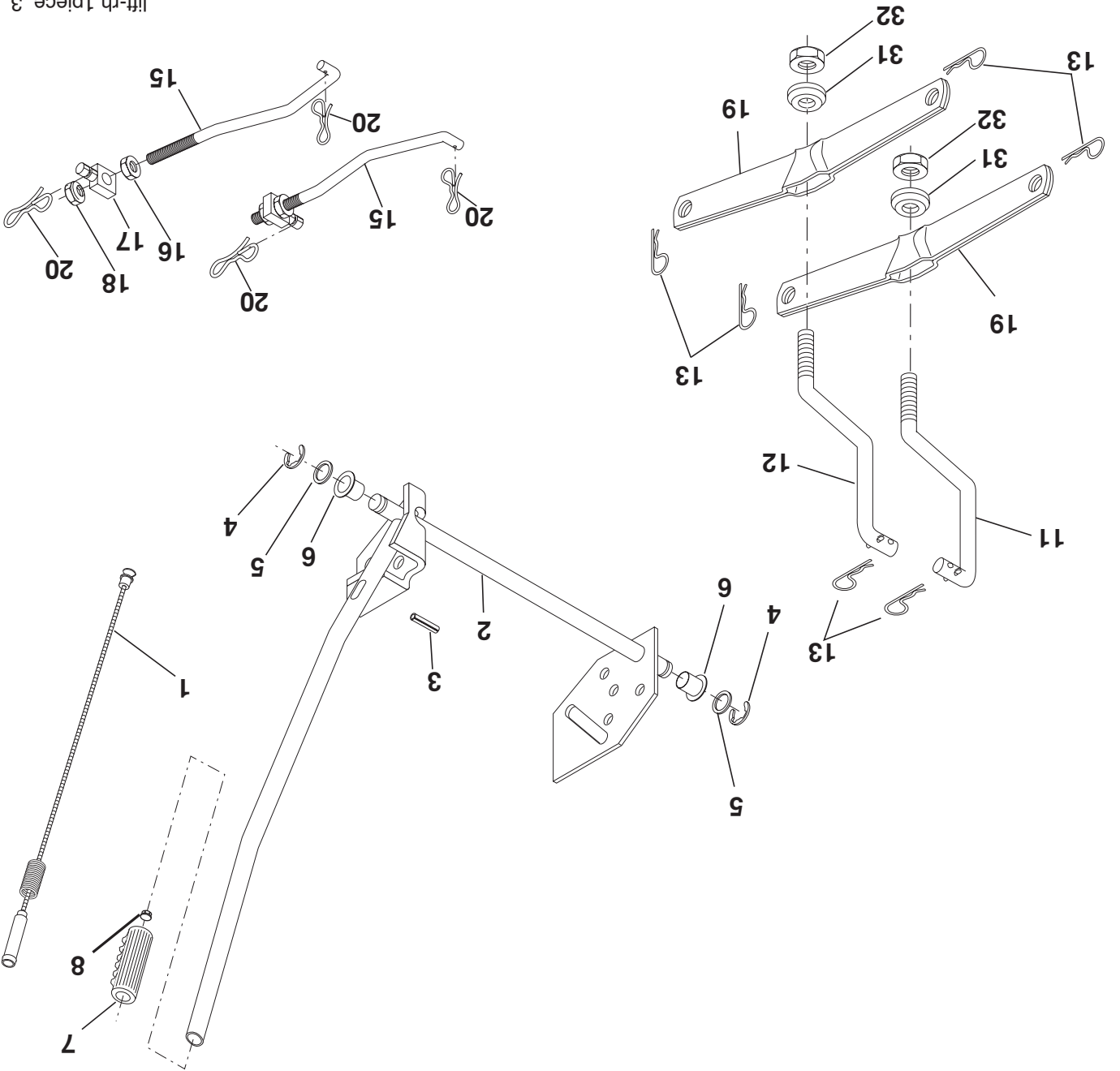
17

REMARQUE: Toutes les dimensions de composant sont données en pouces E.-U. -- 1 pouce = 25,4 mm.

- 1 59192 Capuchon de valve de pneu
- 2 65139 Tubulure de valve
- 3 106222X Pneu antérieur
- 4 59904 Chambre à air antérieure (non fournie)
- 5 106732X624 Ensemble de la jante antérieure 6 po. (nie)
- 6 278H Graisseur (roue antérieure seule-ment)
- 7 9040H Paller à bride (roue antérieure seule-ment)
- 8 106108X624 Ensemble de la jante arrière 8 po. (nie)
- 9 106268 Pneu arrière
- 10 7152J Chambre à air arrière (non fournie)
- 11 104757X428 Capuchon de l'essieu
- 144334 Joint d'étanchéité de pneu (tube de .30L [10 oz.])

PIÈCES DE RECHANGE

TRACTEUR -- NO. DE MODÈLE 96017000900, NO. DE PRODUIT 960 17-00-09
LEVAGE DE TONDEUSE



lift-rh.tpiece_3

NO. NO.	DÉ DE PIÈCE	DESCRIPTION
1	159460	Ensemble du fil intérieur du levier de levage
2	159471	Ensemble de l'arbre de levage
3	105767X	Goupille cannelée
4	1200002	Bague en E 5133-62
5	19211621	Rondelle 21/32 x 1 x 21 Ja.
6	120183X	Pallier en Nylon
7	109413X	Poignée cannelée du levier
8	124526X	Bouton de plongeur
11	139865	Raccord de levage C.G.
12	139866	Raccord de levage C.D.
13	4939M	Ressort de retenue
15	173288	Raccord antérieur

NO. NO.	DÉ DE PIÈCE	DESCRIPTION
16	73350800	Contre-écrou H 1/2-13 unc
17	175689	Tourillon
18	73800800	Écrou frein 1/2-13 unc
19	139868	Bras de suspension arrière
20	194209	Goupille fendue 7/16
31	169865	Pallier de pivot de levage
32	73540600	Écrou auto-serrant 3/8-24

16 REMARQUE: Toutes les dimensions de composant sont données en pouces E.-U. - - 1 pouce = 25,4 mm.

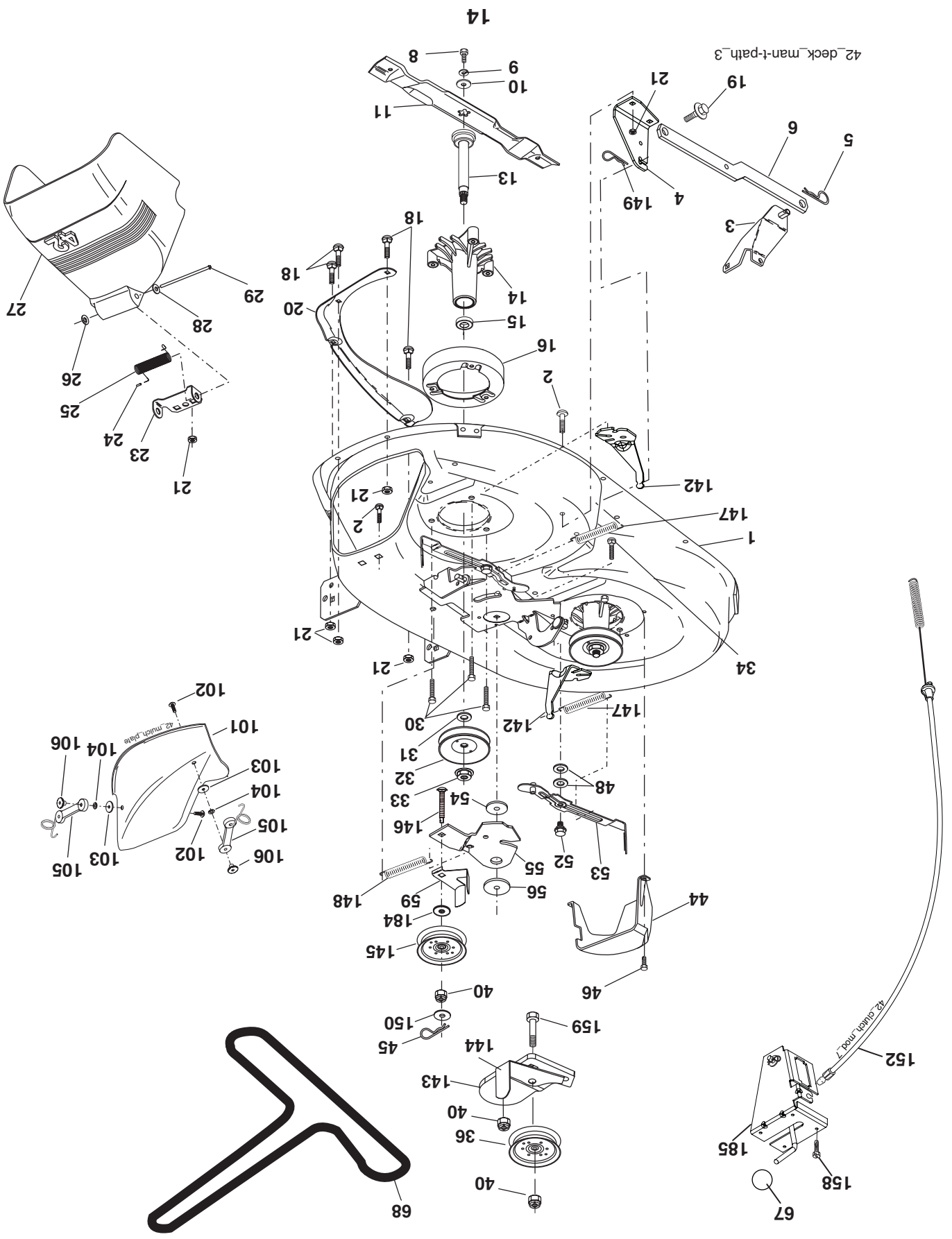
PIÈCES DE RECHANGE

TRACTEUR - - NO. DE MODÈLE 9601700900, NO. DE PRODUIT 960 17-00-09
CARTER DE TONDEUSE

NO. DE DÉ	REF. PIÈCE	DESCRIPTION	NO. DE DÉ	REF. PIÈCE	DESCRIPTION
1	165892	Ensemble de carter de tondeuse 42"	45	4497H	Arrêt-oi
2	72140506	Boulon	46	137729	Vis à filets lamines 1/4-20 x 5/8 T
3	138017	Ensemble du support de barre de non mouvement antérieur 38/42	48	133944	Rondelle durcie
4	165460	Ensemble du support de barre de non mouvement de carter	52	139888	Boulon à épaulement 5/16-18 unc
5	4939M	Ressort de retenue	54	178515	Rondelle durcie
6	178024	Barre de balancement	55	155046	Bras de galet-tendeur
8	850857	Boulon 3/8-24 x 1 25 Cat. 8	56	165723	Entretoise de retenue
9	10030600	Rondelle frein	59	141043	Protecteur du galet-tendeur TVV
10	140296	Rondelle durcie	67	106932X	Bouton
11	134149	Lame déchiqueteuse standard 42" (Les lames suivantes sont disponibles)	101	193107	Couverture 42" de paillage
11	138971	Lame de portance élevée 42"/107cm (pour les tondeuses déchiqueteuses seulement)	102	71081010	Vis 10-24 x 5/8
--	--	Hi-Lift (pour mettre en sac ou dé-verse)	103	19061216	Rondelle
--	--	Lame déchiqueteuse de qualité supérieure 42"/107cm Premium (pour une meilleure résistance à l'usure lors du déchiquetage)	104	10071000	Rondelle
13	137645	Ensemble de l'arbre de mandrin événement	105	160793	Système verrouillage de mulcher et dé bagger
14	128774	Boîtier du mandrin événement	106	2029J	Ecroû .328/.304 #10-24
15	110485X	Roulement à billes du mandrin	142	165890	Ressort
16	174493	Dispositif du courant à air de tondeuse	143	157109	Support 42"
18	72140505	Boulon de chariot 5/16-18 x 5/8	144	158634	Guide-courroie
19	132827	Boulon à épaulement	145	165888	Pouille du galet-tendeur
20	159770	Chicane	146	171977	Galet-tendeur
21	73680500	Ecroû	147	131335	Ressort de traction
22	177563	Support de déflecteur de décharge de tondeuse 42"	148	169022	Ressort de retenue
23	177563	Support de déflecteur de décharge	149	165898	Ressort de retenue
24	105304X	Capuchon de manchon	150	19091210	Rondelle 9/32 x 3/4 x 10 Ja.
25	123713X	Ressort de torsion de déflecteur	152	169676	Câble d'embrayage
26	110452X	Rondelle frein	158	17720408	Vis H 1/4-20 x 1/2
27	130968X428	Déflecteur de décharge	159	72140614	Boulon 3/8-16 unc x 1-3/4
28	19111016	Rondelle 1 1/32 x 5/8 x 16 Ja.	184	19131410	Rondelle 13/32 x 7/8 x 10 Cad
29	131491	Tige à charnière	185	188234	Câble d'embrayage
30	173984	Vis	--	130794	Ensemble du mandrin (il compris
31	187690	Rondelle d'entretroisement de tondeuse événement	--	169583	Ensemble du carter de tondeuse n'est pas compris)
32	153535	Pouille de mandrin	--	--	la quincailerie de l'axe. La pouille
33	400234	Ecroû frein	--	--	seulement du carter, de l'axe et de
34	72110612	Boulon 3/8-16 x 1-1/2 Cat.5	--	--	Ensemble du carter de tondeuse
36	131494	Pouille de galet-tendeur plat	--	--	Ensemble du carter de tondeuse
40	73900600	Ecroû frein 3/8-16	--	--	Ensemble du carter de tondeuse
44	140088	Protecteur de mandrin C.G.	--	--	Ensemble du carter de tondeuse

REMARQUE: Toutes les dimensions de composant sont données en pouces E.U. -- 1 pouce = 25,4 mm.

PIÈCES DE RECHANGE
TRACTEUR -- NO. DE MODELE 9601700900, NO. DE PRODUIT 960 17-00-09
CARTER DE TONDEUSE



PIÈCES DE REMPLACEMENT

TRACTEUR - - NO. DE MODÈLE 96017000900, NO. DE PRODUIT 960 17-00-09

MOTEUR

NO. DE RÉF. DE PIÈCE	DESCRIPTION
1	170551 Commande des gaz
2	17720408 Vis taraudée H 1/4-20 x 1/2
3	----- Moteur Briggs-No. de modèle 31A607
4	137352 Silencieux d'échappement du fabricant du moteur
13	165291 Garniture
14	148456 Tuyau
23	169837 Pare-chaleur
29	137180 Pare-étincelles
31	407516 Réservoir d'essence
32	197725 Bouchon de réservoir d'essence
33	123487X Bride de serrage du tuyau
37	401137 Conduite d'essence-22 po.
38	181654 Bouchon de vidange d'huile
40	124028X Douille de bouton-pression
44	17670412 Vis à tête ronde à filets laminés H 1/4-20 x 3/4
45	17000612 Vis H 3/8-16
46	19091416 Rondelle 9/32 x 7/8 x 16 Ja.
72	192334 Vis 5/16-18 x .75
78	17060602 Vis 3/8-16 x 1-1/4
81	73510400 Ecrou H 1/4-20 unc

REMARQUE: Toutes les dimensions de composant sont données en pouces E.-U. — 1 pouce = 25,4 mm.

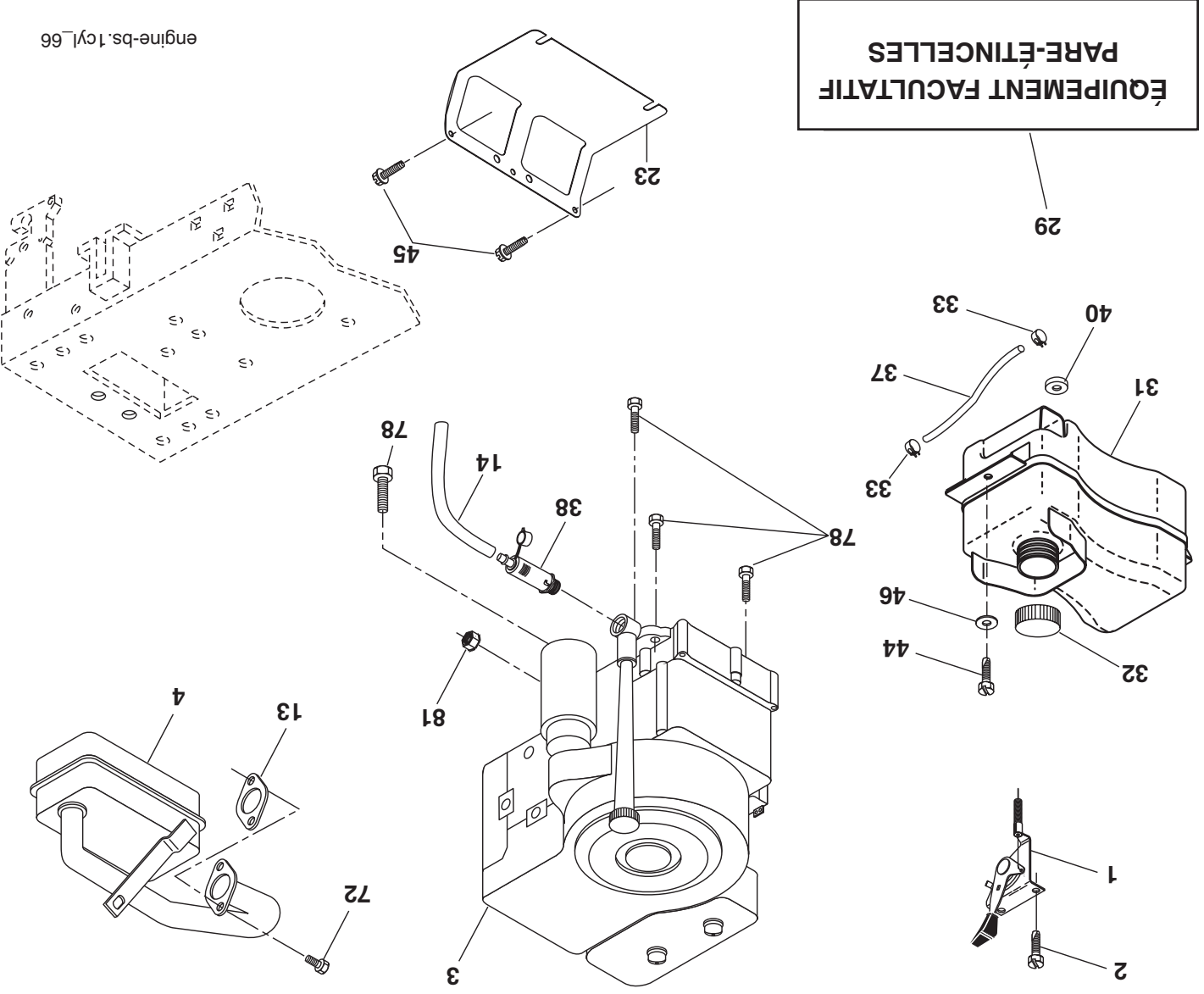
Pour des pièces de service et de rechange de moteur, réclamez le numéro de téléphone libre pour votre fabricant de moteur énuméré ci-dessous:

Briggs & Stratton	1-800-233-3723
Kohler Co.	1-800-544-2444
Tecumseh Products	1-800-558-5402
Honda Engines	1-800-426-7701
Kawasaki	1-949-460-5688

L'Information de Classement de Pouvoir de Moteur

Le pouvoir brut évaluant pour les modèles de moteur de gaz individuels est conformément étiqueté à SAE (la Société d'Ingénieurs Automobileurs) le code J11940 (le Petit Pouvoir de Moteur & le Moment de torsion Évaluant la Procédure), et l'exécution de classement a été obtenue et a été corrigée conformément à SAE J1995 (la Révision 2002-5). Le véritable pouvoir de moteur brut sera plus bas et est affecté par, entre autres choses, les conditions d'opération ambiantes et le moteur-à-la variabilité de moteur. Donné les deux le tableau large de produits sur lesquels est placé et la variété de problèmes écologiques applicables à l'opération de l'équipement, le moteur de gaz ne développera pas le pouvoir de grosse évalué quand utilisé dans un morceau donné d'équipement de pouvoir (la puissance véritable, « sur place » ou nette). Cette différence est en raison d'une assortment de facteurs inclus, mais pas limité à, les accessoires (le nettoyeur d'air, l'échappement, charger, le refroidissement, le carburateur, la pompe de carburant, etc.), les limitations d'application, les conditions d'opération ambiantes (la température, l'humidité, l'altitude), et le moteur-à-la variabilité de moteur. En raison des limitations de fabrication et capacité, Briggs & Stratton peut substituer un moteur de plus haut pouvoir évalué pour ce moteur de Feuilleton.

PIÈCES DE RECHANGE
TRACTEUR -- NO. DE MODELE 9601700900, NO. DE PRODUIT 960 17-00-09
MOTEUR



engine-bs.t cyl_66

PIÈCES DE REMPLACEMENT

TRACTEUR -- NO. DE MODÈLE 96017000900, NO. DE PRODUIT 960 17-00-09
ENSEMBLE DE LA DIRECTION

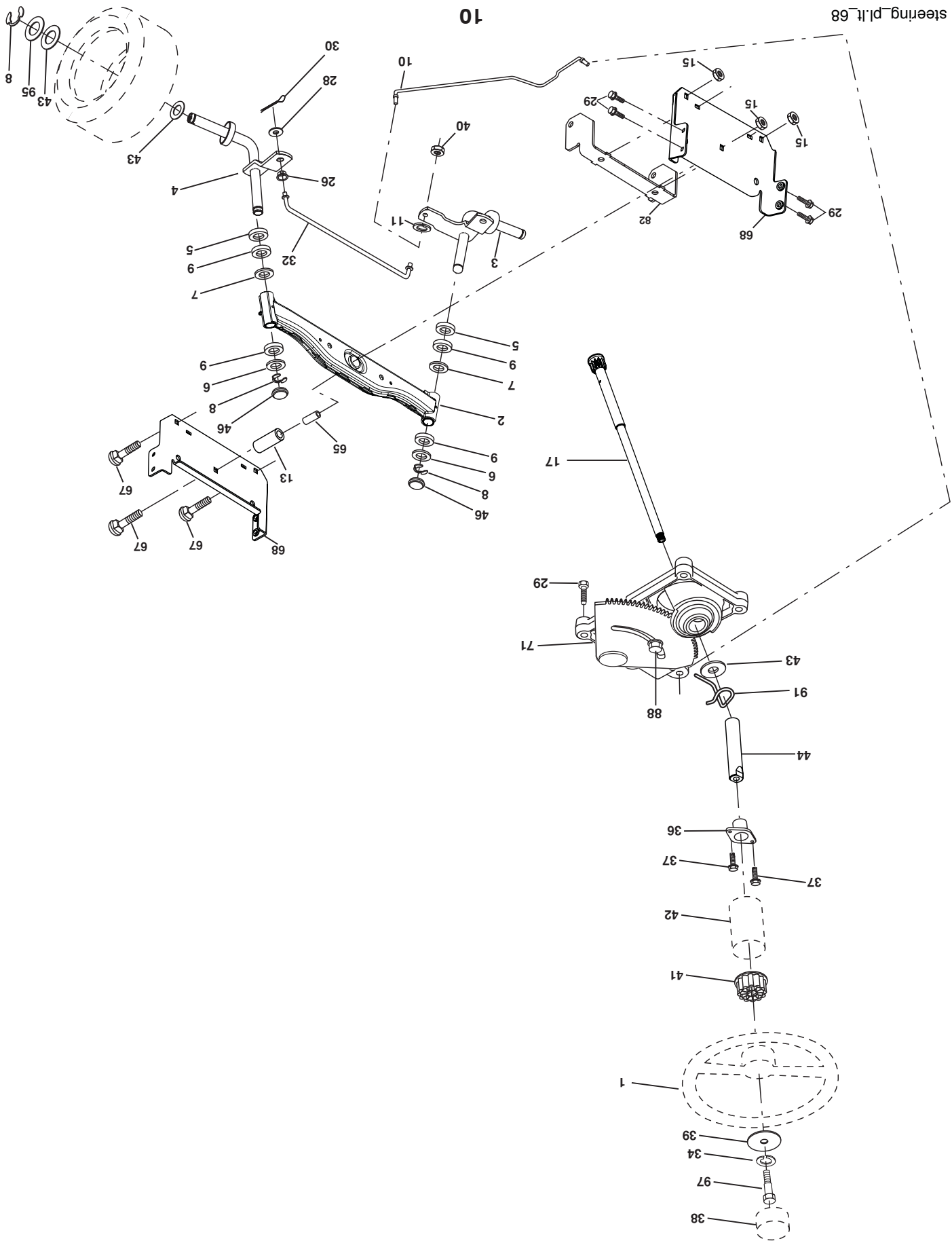
NO. DE PIÈCE	DESCRIPTION
1	Volant de direction
2	Ensemble d'essieu antérieur
3	Ensemble de broche C.G
4	Ensemble de broche C.D.
5	Palier de butée
6	Rondelle 25/32 x 1 5/8 x 16 Ja.
7	Rondelle 27/32 x 1-1/4 x 16 Ja.
8	Rondelle clip
9	Palier de colonne de direction
10	Barre de direction
11	Rondelle frein
13	Entretoise
15	Écrou frein à collet
17	Ensemble de l'arbre de direction
26	Douille de barre d'accouplement
28	Rondelle 13/32 x 7/8 x 16 Ja.
29	Vis 3/8-16 x 3/4
30	Goupille
32	Barre d'accouplement
34	Rondelle 5/16
36	Douille de direction
37	Vis à chapeau n°10-32 x 4 x 3/8
38	Insert de chapeau du volant de direction
39	Rondelle 1 1/32 ID x 2-3/8 OD x 12 Ja.
40	Écrou auto-serrant 3/8-24
41	Adaptateur du volant de direction
42	Manchon de l'arbre de direction
43	Rondelle 25/32 x 1 1/4 x 16 Ja.
44	Direction de rallongement
46	Chapeau de broche
65	Essieu d'entretoise
67	Boulon 3/8-16 x 2-1/4
68	Moise
71	Ensemble de direction
82	Support
88	Boulon 7/16-20
91	Pince
95	Rondelle .793 x 1.637 x .060
97	Boulon 5/16-18 unc x 4" L Cat. 5

REMARQUE: Toutes les dimensions de composant sont données en pouces E.-U. -- 1 pouce = 25,4 mm.

PIÈCES DE REMPLACEMENT

TRACTEUR -- NO. DE MODÈLE 9601700900, NO. DE PRODUIT 960 17-00-09

ENSEMBLE DE LA DIRECTION



PIÈCES DE RECHANGE

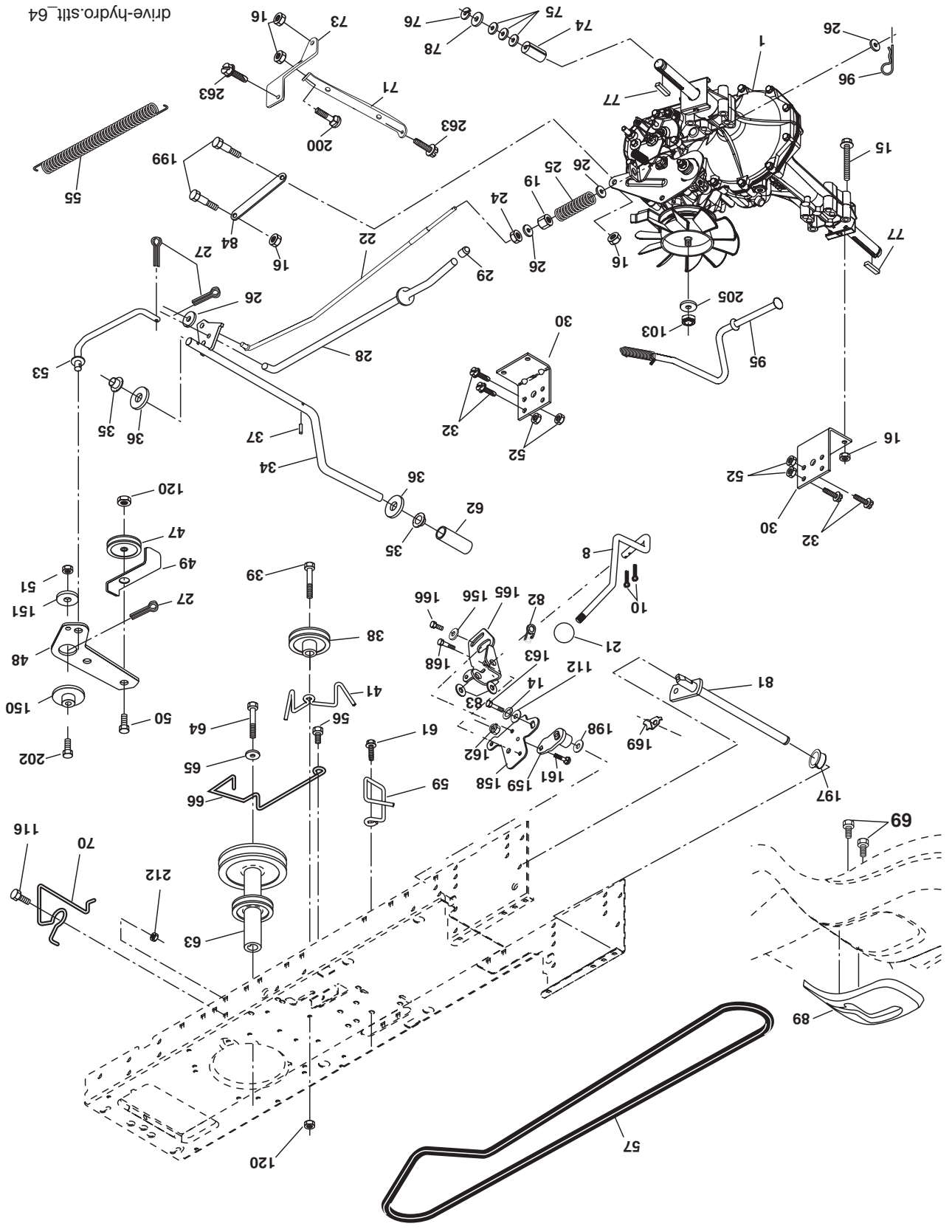
TRACTEUR - - NO. DE MODÈLE 96017000900, NO. DE PRODUIT 960 17-00-09

ENTRAÎNEMENT

NO. DE DÉ	REF. PIÈCE	DESCRIPTION	NO. DE DÉ	REF. PIÈCE	DESCRIPTION
1	-----	Transmission, Hydro 322-0510	70	134683	Guide-courroie de l'entraînement
8	192706	Tige du changement de vitesse	71	169183	Attache C.G.
10	76020416	Goupille fendue 1/8 x 1	73	169182	Attache C.D.
14	10040400	Rondelle frein 1/4	74	137057	Entretoise
15	74490544	Boulon H 5/16-18 Cat. 5	75	121749	Rondelle 25/32 x 1-1/4 x 16 Ja.
16	73800500	Écrou frein 5/16-18	76	12000001	Bague en E
19	73800600	Écrou frein 3/8-16	77	123583	Cle carrée
21	140845	Bouton	78	121748	Rondelle 25/32 x 1-5/8 x 16 Ja.
22	169498	Tige du frein	81	165596	Ensemble de l'arbre
24	73350600	Contre-écrou H 3/8-16	82	165711	Ressort de torsion
25	106888X	Ressort de la tige du frein	83	19171216	Rondelle 17/32 x 3/4 x 16 Ja.
26	19131316	Rondelle 13/32 x 13/16 x 16 Ja.	84	169843	Tige
27	76020412	Goupille fendue 1/8 x 3/4	89	192056X420	Panneau du levier de changement
28	175765	Tige du frein de stationnement	95	170201	Ensemble de la commande de dérivation hydrostatique
29	71673	Chapeau du frein de stationnement	96	4497H	Ressort de retenue
30	174973	Support de montage de la transmission, C.D.	103	19091210	Rondelle 17/32 x 1 x 16 Ja.
32	74760512	Boulon H 5/16-18 unc x 3/4	112	19091210	Rondelle 9/32 x 3/4 x 10 Ja.
34	175578	Arbre de la pédale	116	72140608	Boulon 3/8-16 x 1
35	120183	Pailier de nylon	120	73900600	Écrou 3/8-16 unc
36	19211616	Rondelle 21/32 x 1 x 16 Ja.	150	175456	Ressort de retenue
37	1572H	Goupille mécaniques 3/16 x 1	151	19133210	Rondelle 13/32 x 2 x 10 Ja.
38	179114	Poulie du galet-tendeur plat	156	166002	Rondelle
39	72110622	Boulon 3/8-16 unc x 2-3/4 Cat. 5	158	165589	Support
41	175556	Guide-courroie	159	183900	Moyeu
47	127783	Guide-courroie du galet-tendeur	161	721404-06	Boulon 1/4-20 x 3/4 5 Ja.
48	154407	Levier coude	162	736804-00	Écrou auto-serrant 1/4-20
49	123205X	Bassin de retenue de courroie	163	74780416	Boulon H 1/4-20 x 1 5 Ja.
50	72110612	Boulon H 3/8-16 x 1-1/2	165	165623	Support
51	73680600	Écrou auto-serrant 3/8-16	166	17490510	Vis 5/16-18 x 5/8
52	73680500	Écrou auto-serrant 5/16-18	168	165492	Boulon 5/16 - 18 x .561
53	1996-52	Raccord d'embrayage	169	165580	Plaque
55	105709X	Ressort de rappel de l'embrayage	197	169613	Douille de Nylon 5/8" ID
56	17060620	Vis 3/8-16 x 1-1/4	198	169593	Rondelle 7/8 ID x .105" HYD
57	140294	Courroie trapézoïdale de masse	199	169612	Boulon 5/16-18 unc
59	169691	Guide-courroie du châssis central	200	72140508	Boulon 5/16-18 unc x 1
61	17120614	Vis 3/8-16 x .875	202	72110614	Boulon 3/8-16 x 1-3/4 Ja. 5
62	8883R	Couverture de la pédale	205	73940800	Écrou H 1/2-20
63	175410	Poulie du moteur	212	145212	Écrou H
64	173937	Boulon H	263	17000612	Écrou 3/8-16 x 3/4
65	10040700	Rondelle frein hélicoïdale à ressort			
66	154778	Guide-courroie C.G. du moteur			
69	142432	Vis H 1/4 x 1/2 unc			

REMARQUE: Toutes les dimensions de composant sont données en pouces E.-U. -- 1 pouce = 25,4 mm

PIÈCES DE REMPLACEMENT
TRACTEUR -- NO. DE MODELE 9601700900, NO. DE PRODUIT 960 17-00-09
ENTRAÎNEMENT



drive-hydro.stl_64

PIÈCES DE REMPLACEMENT

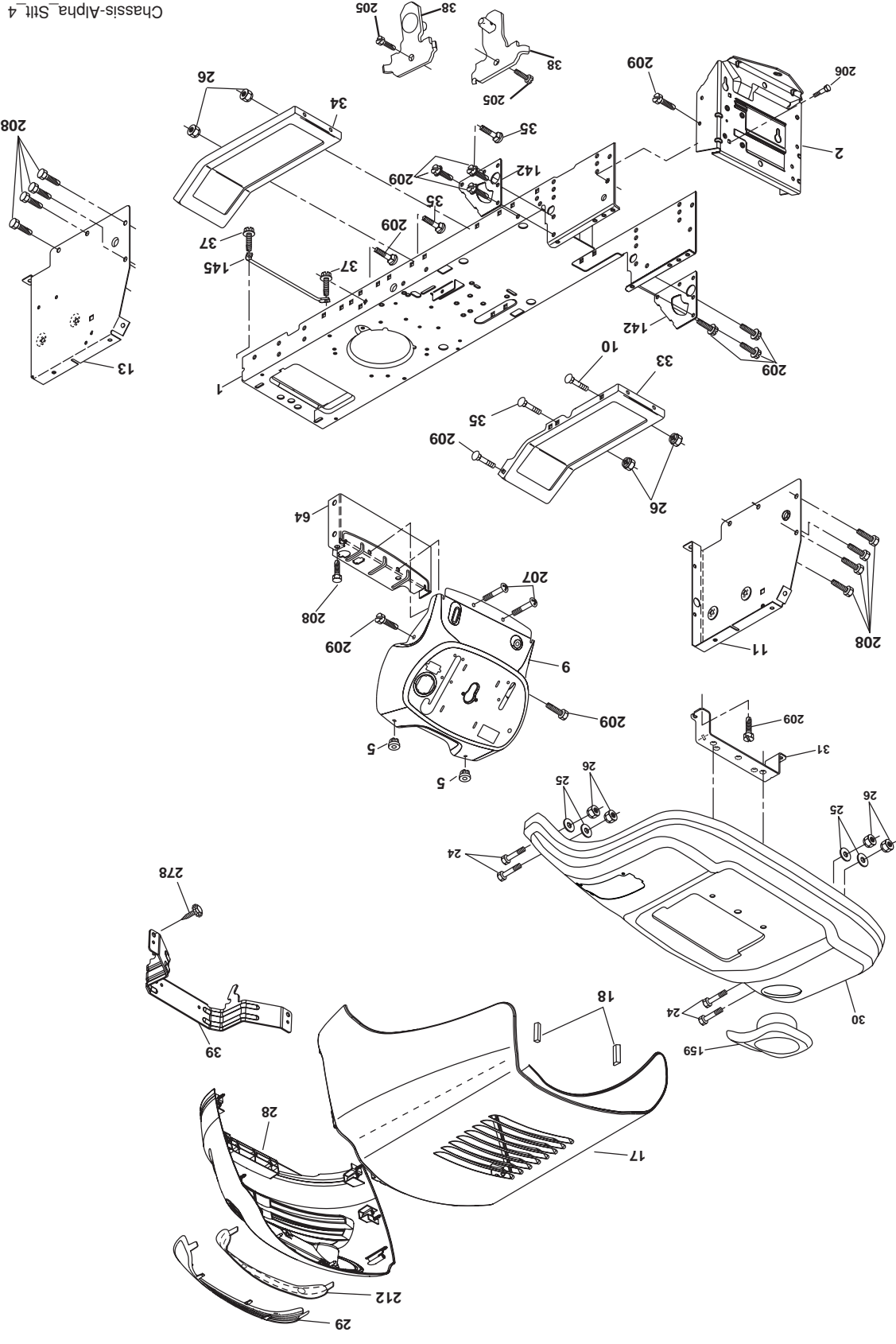
TRACTEUR -- NO. DE MODÈLE 96017000900, NO. DE PRODUIT 960 17-00-09
CHÂSSIS/ENCEINTES

NO. DE RÉF.	NO. PIÈCE	DESCRIPTION
1	174619	Châssis
2	176554	Barre d'attelage
5	155272	Pare-chocs
9	193510X010	Tableau de bord
10	72140608	Boulon de chariot 3/8-16 x 1
11	174996	Panneau du tableau de bord C.G.
13	172105X010	Panneau du tableau de bord C.D.
17	187559X505	Ensemble du capot
18	184921	Coussin de capot
24	74780616	Boulon
25	19131312	Rondelle 13/32 x 13/16 x 12 Ja.
26	73800600	Ecroû
28	187598	Calandre(comprise les nos. de réf 29 et 212)
29	187567X599	Lentille
30	192528X505	Aile
31	136619	Support d'aile
33	179716X505	Repose-pieds C.G.
34	179717X505	Repose-pieds C.D.
35	72110606	Boulon
37	17490508	Vis 5/16-18 x 1/2 TYT
38	175710	Ensemble de support
39	187568	Support
64	154798	Tableau de bord
142	175702	Plaque
145	409167	Tige
159	169473X428	Tasse Support
205	17490608	Vis 3/8-16 x 1/2
206	170165	Boulon à épaulement
207	17670508	Vis 5/16-18 x 1/2
208	17670608	Vis 3/8-16 x 1/2
209	17000612	Vis H 3/8-16
212	187569	Insert de lentille
278	191611	Vis H 10 x 3/4
--	5479J	Bouchon de bouton
--	187801	Bouchon

REMARQUE: Toutes les dimensions de composant sont données en pouces E.-U. -- 1 pouce = 25,4 mm.

PIÈCES DE REMPLACEMENT
TRACTEUR -- NO. DE MODÈLE 9601700900, NO. DE PRODUIT 960 17-00-09
CHÂSSIS/ENCEINTES

TRACTEUR -- NO. DE MODÈLE 9601700900, NO. DE PRODUIT 960 17-00-09



PIÈCES DE REMPLACEMENT

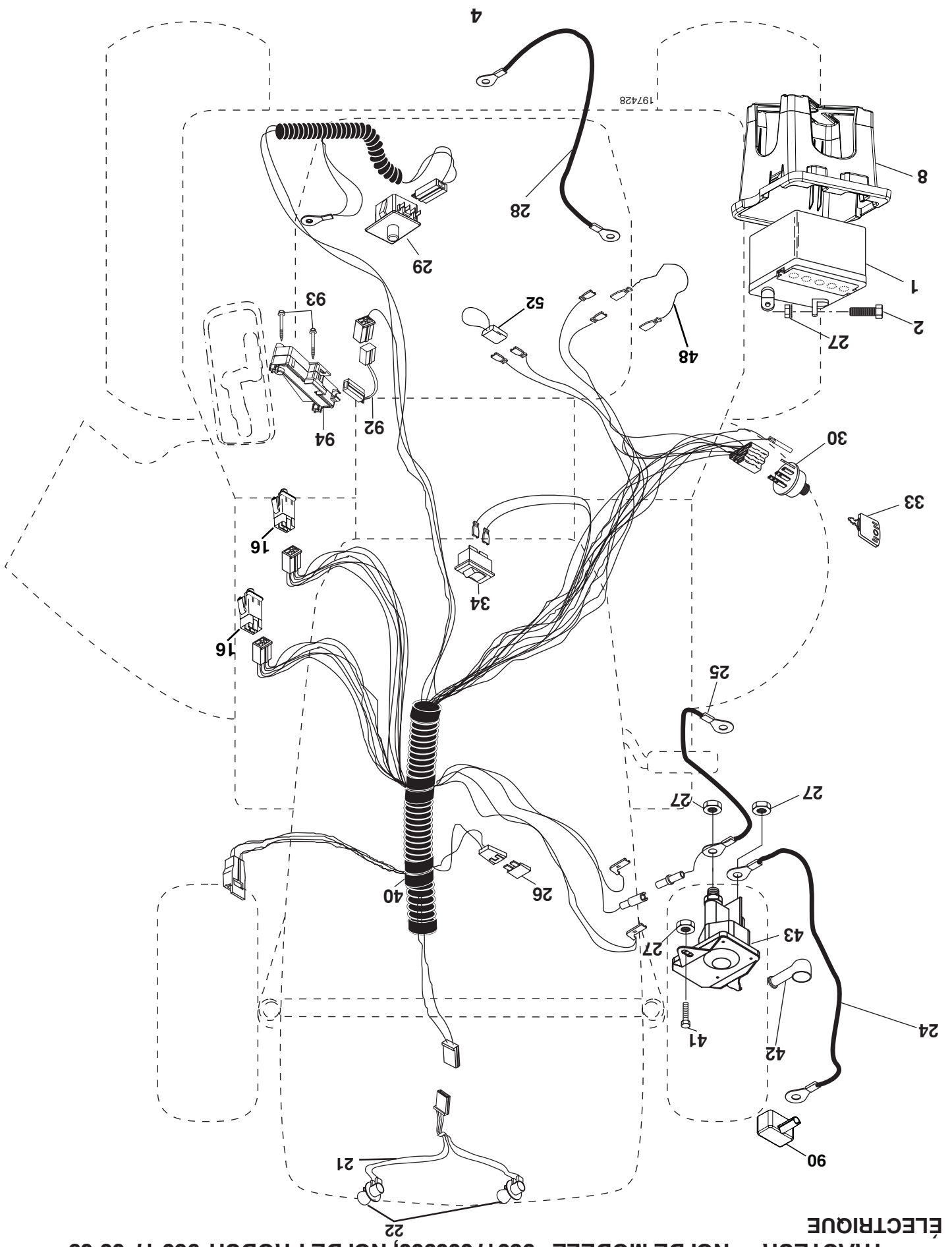
TRACTEUR - - NO. DE MODÈLE 96017000900, NO. DE PRODUIT 960 17-00-09
ÉLECTRIQUE

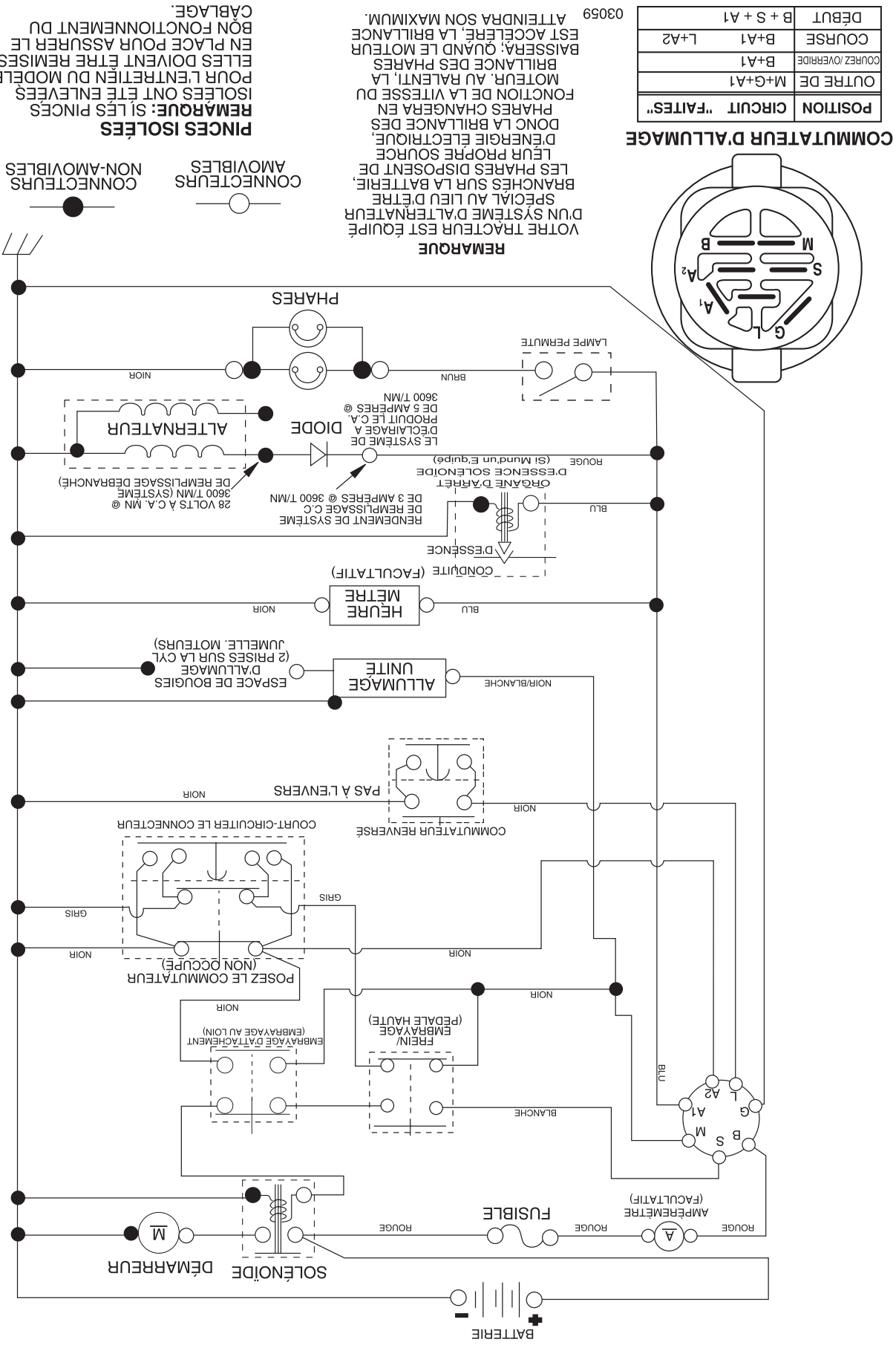
NO. DE PIÈCE	DESCRIPTION
1	Batterie
2	Boulon H 1/4-20 unc x 3/4
8	Bac de batterie
16	Interrupteur de verrouillage
21	Harnais des prises de courant des phares avec 4152J
22	Ampoule N°156
24	Câble de batterie de 6 ja de 11 po. - rouge
25	Câble de batterie de 6 ja avec un fil de 16 po. - rouge
26	Fusible de 20 AMP
27	Écrou à taquets 1/4-20 unc
28	Câble de masse de 6 ja de 12 po. - noir
29	Interrupteur
30	Contacteur d'allumage
33	Cle de contact
34	Interrupteur
40	Harnais des câbles d'allumage
41	Boulon H 1/4-20 x 1/2
42	Couverture de borne
43	Solénoïde
48	Adaptateur de l'ampèremètre rectangulaire
52	Fil en forme de boucle de protection
90	Couverture
92	Harnais
93	Vis 10-14 x 2.0
94	Inverse du module ROS

REMARQUE: Toutes les dimensions de composant sont données en pouces E.-U. -- 1 pouce = 25,4 mm.

PIÈCES DE REMPLACEMENT

TRACTEUR -- NO. DE MODELE 9601700900, NO. DE PRODUIT 960 17-00-09
ÉLECTRIQUE





COMMENT UTILISER CE MANUEL

Ce manuel a été dessiné pour fournir le client avec les moyens d'identification des pièces de détachées du tracteur quand il/elle a besoin de commander les pièces de rechange. Les illustrations ne peuvent pas représenter exactement le modèle que vous avez acheté. N'utilisez pas ce manuel comme un guide dans le montage et/ou démontage de votre tracteur. La visserie montrée est plus grande pour faciliter l'identification.

Chaque tracteur a un numéro de modèle particulier.

Le numéro de modèle du produit se trouvera sur l'aile, dessous le siège.

Lorsque vous commandez des pièces de rechange, donnez toujours les renseignements suivants:

- "Produit - "Tracteur"
- Numéro du Modèle - 96017000900
- Numéro de la Pièce
- Description de la Pièce

TABLE DE MATIERES

SCHEMA.....	3
ELECTRIQUE.....	4-5
CHASSIS/ENCEINTES.....	6-7
ENTRAÎNEMENT.....	8-9
ENSEMBLE DE LA DIRECTION.....	10-11
MOTEUR.....	12-13
CARTER DE TONDEUSE.....	14-15
LEVAGE DE LA TONDEUSE.....	16
DECALCOMANIES.....	17
ENSEMBLE DU SIÈGE.....	18
GARANTIE LIMITÉE.....	20



**MANUEL DES PIÈCES DE
RECHANGÉ
NO. DE MODELE (96017000900)
Tracteur de Pelouse**

