

# REPAIR PARTS MANUAL

MODEL NO. A20K46YT/93603900 (96046000300)  
Lawn Tractor

---



# HOW TO USE THIS MANUAL

This manual is designed to provide the customer with a means to identify the parts on his/her tractor when ordering repair parts. The illustrations may or may not represent the actual assemblies; therefore, it is not recommended to use this manual as a guide to assemble or disassemble the tractor. Some hardware and parts are drawn larger in order to more readily identify them.

Each tractor has its own model number.

The model number for your tractor can be found on the fender under the seat.

When ordering parts, always give the following information:

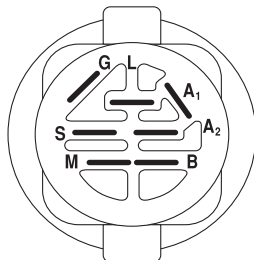
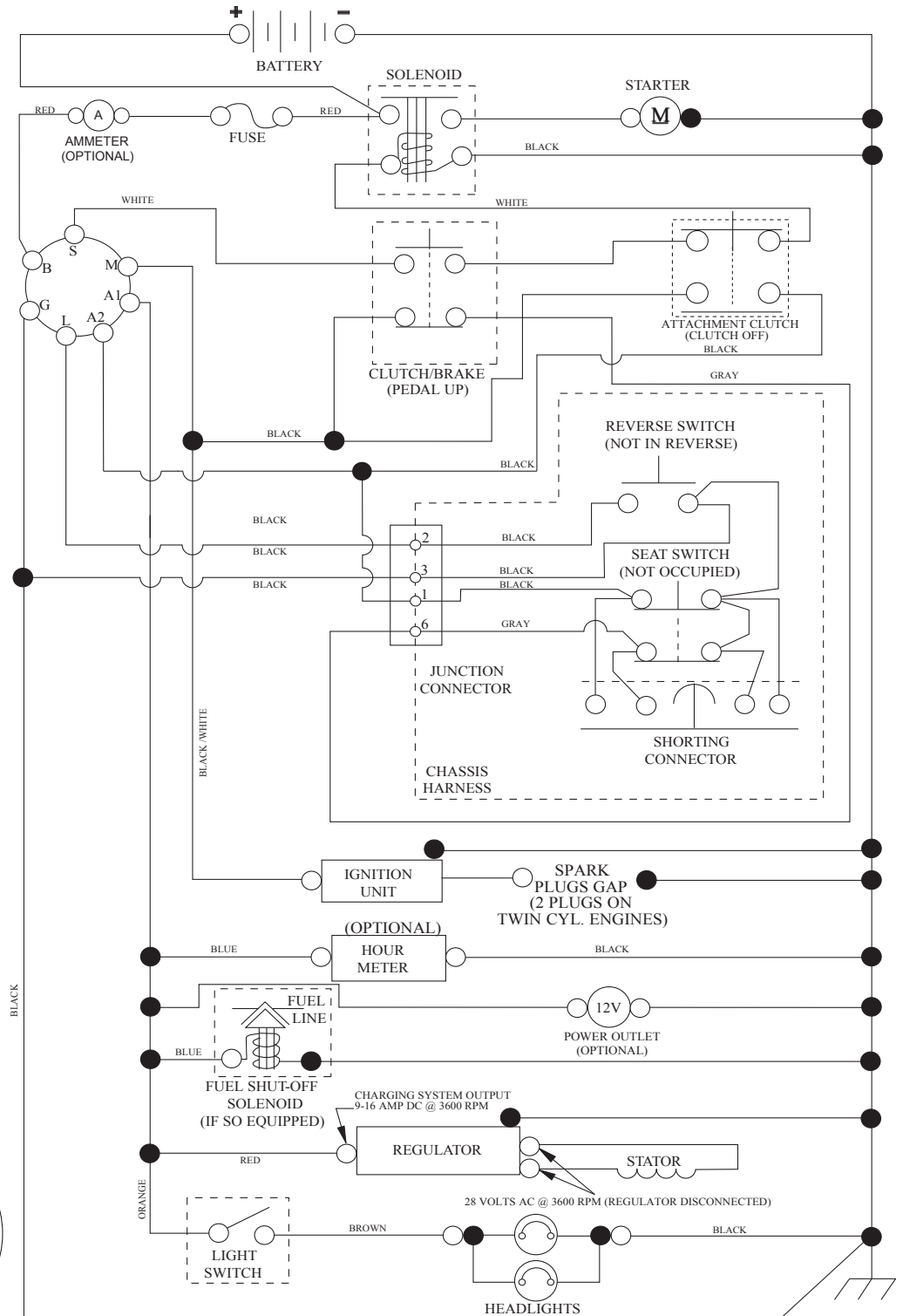
- Product - "Tractor"
- MODEL NUMBER - "A20K46YT/93603900 (96046000300)"
- Part Number
- Part Description

## TABLE OF CONTENTS

SCHEMATIC .....	3
ELECTRICAL.....	4-5
CHASSIS .....	6-7
DRIVE.....	8-9
ENGINE.....	10-11
STEERING .....	12-13
MOWER DECK .....	14-15
MOWER LIFT.....	16
SEAT .....	17
DECALS.....	18
WARRANTY.....	20

# TRACTOR - MODEL NO. A20K46YT/93603900 (96046000300), PRODUCT NO. 960 46 00-03 SCHEMATIC

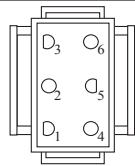
SCH10



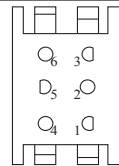
IGNITION SWITCH

POSITION	CIRCUIT	"MAKE"
OFF	M+G+A1	
RUN/OVERRIDE	B+A1	
RUN	B+A1	L+A2
START	B + S + A1	

03107



CHASSIS HARNESS CONNECTOR (MATING SIDE)



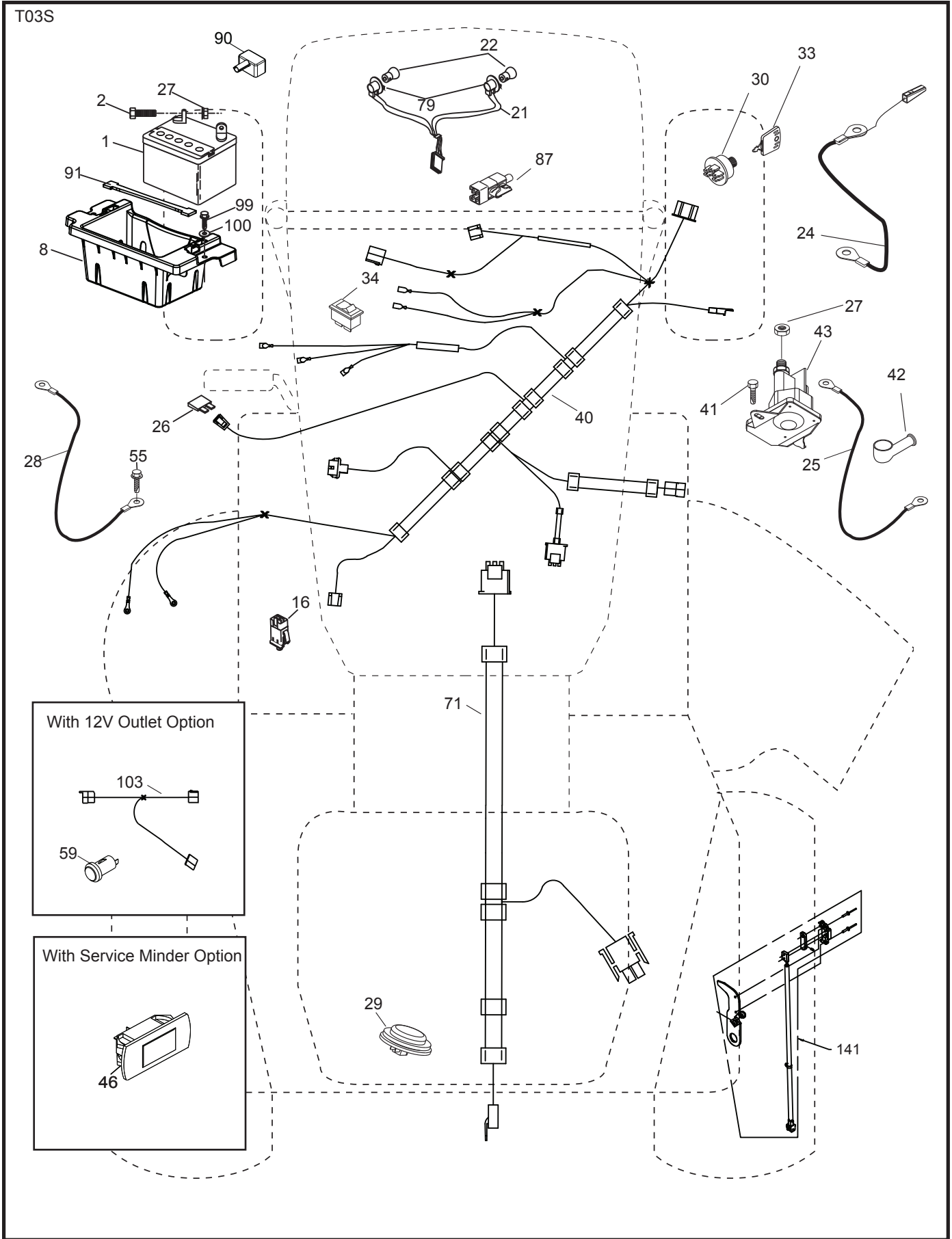
DASH HARNESS CONNECTOR (MATING SIDE)

WIRING INSULATED CLIPS  
NOTE: IF WIRING INSULATED CLIPS WERE REMOVED FOR SERVICING OF UNIT, THEY SHOULD BE RE-INSTALLED TO PROPERLY SECURE YOUR WIRING.

NON-REMOVABLE CONNECTIONS

REMOVABLE CONNECTIONS

**TRACTOR - MODEL NO. A20K46YT/93603900 (96046000300), PRODUCT NO. 960 46 00-03  
ELECTRICAL**

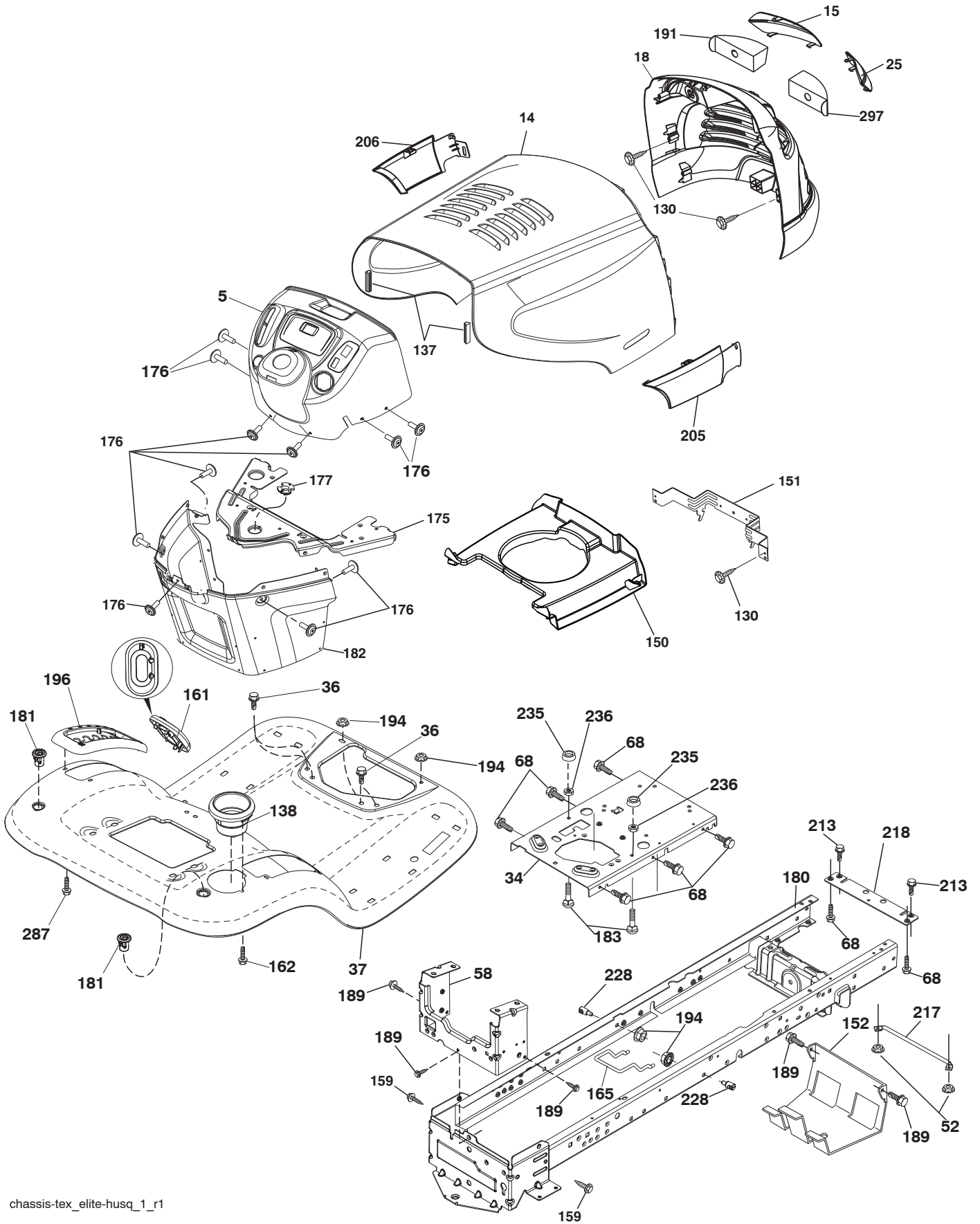


**TRACTOR - MODEL NO. A20K46YT/93603900 (96046000300), PRODUCT NO. 960 46 00-03  
ELECTRICAL**

<b>KEY NO.</b>	<b>PART NO.</b>	<b>DESCRIPTION</b>
1	163465	Battery
2	74760412	Bolt Hex Head 1/4-20 x 3/4
8	186491	Box Battery
16	176138	Switch Interlock Push-In
21	183759	Harness Socket Light w/4152J
22	4152J	Bulb Light
24	400253	Cable Battery 8"
25	412894	Cable Starter
26	175158	Fuse
27	73510400	Nut Keps Hex 1/4-20 unc
28	145491	Cable, Ground
29	401545	Switch, Seat
30	193350	Switch, Ignition
33	411935	Key/Chain
34	110712X	Switch Light/Reset
40	401098	Harness Ignition Dash
41	17720408	Screw Thd Cut 1/4-20 x 1/2
42	131563	Cover, Terminal
43	192507	Solenoid
55	17060512	Screw Thdrol 5/16-18 x 3/4 TYTT
71	194276	Harness Ignition
79	175242	Socket Asm Bulb Twistlock
87	197802	Switch Interlock Clutch Cable
90	400724	Cover Terminal Battery
91	190270	Strap Battery Mount Front
99	17670412	Screw Hexwsh Thdrol 1/4-20 x 3/4
100	19091416	Washer 9/32 x 7/8 x 16 Ga.
141	416977	Kit T2 ROS

**NOTE:** All component dimensions given in U.S. inches  
1 inch = 25.4 mm

**TRACTOR - MODEL NO. A20K46YT/93603900 (96046000300), PRODUCT NO. 960 46 00-03  
CHASSIS**



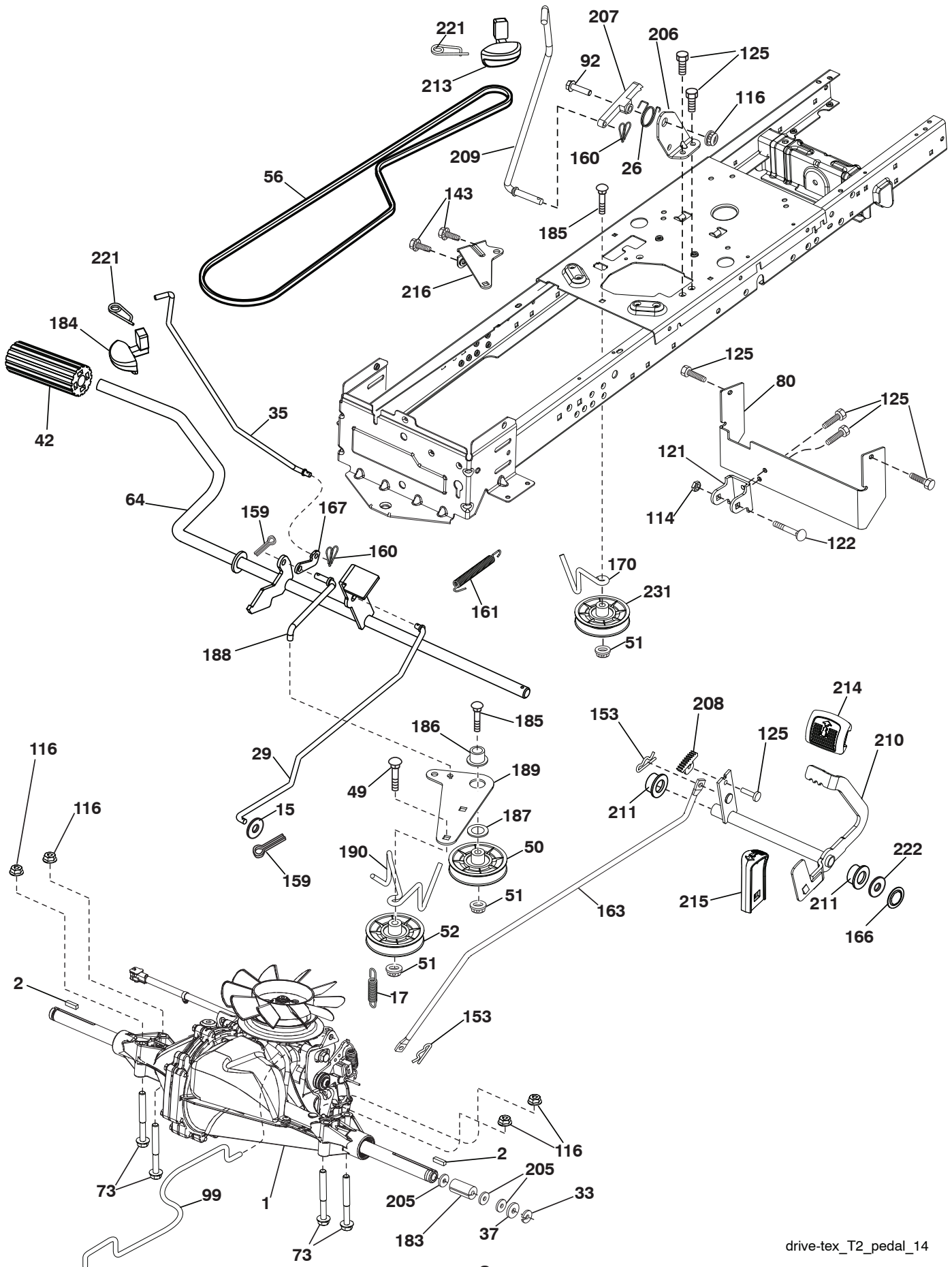
chassis-tex\_elite-husq\_1\_r1

**TRACTOR - MODEL NO. A20K46YT/93603900 (96046000300), PRODUCT NO. 960 46 00-03  
CHASSIS**

<b>KEY NO.</b>	<b>PART NO.</b>	<b>DESCRIPTION</b>
5	401715X428	Dash
14	425404X422	Hood
15	188264X599	Lens Grille LH
18	423180	Grille
25	188263X599	Lens Grille RH
34	196125	Plate Engine
36	17060512	Screw 5/16-18 x 3/4
37	414878X422	Fender
52	73680500	Nut Crown Lock 5/16-18
58	412280	Drawbar Upper
68	17490508	Screw THDROL 5/16-18 x 1/2
130	416358	Screw #10 x 0.750 BOS Thread
137	184921	Bumper Hood
138	193224X428	Cupholder
150	189350	Duct Heat Hood
151	407807	Bracket Pivot
152	199535	Shield Browning/Debris
159	<b>17000612</b>	Screw Hexwsh Thrd 3/8-16 x 3/4
161	193229X428	Window Fuel
162	142432	Screw Hex Wsh Hi-Lo 1/4 x 1/2 unc
165	196826	Support Tank Rear
175	193243	Crossmember
176	400776	Screw 10-24 x 5/8 Wshd Qdrx
177	195227	Bushing Steering
180	415063	Chassis
181	193102X428	Bushing Mtg. Fender Crgo.
182	193057	Dash Lower
183	74780520	Bolt Fin Hex 5/16-18 x 1-1/4
189	17000512	Screw 5/16-18 x 3/4
191	188267	Insert Lens Reflective LH
194	73900500	Nut Lock Hex Flange 5/16-18
196	414579	Console Asm. Deck Lift
205	188265X428	Skirt Side RH
206	188266X428	Skirt Side LH
213	74760512	Bolt Hex HD 5/16-18 unc x 3/4
218	196395	X-Piece Hood
217	409167	Rod Pivot
228	195161	Stud Fastener
235	406129	Spacer Fender
236	73930500	Nut Center Lock 5/16-18 unc
287	17600406	Screw Hex Washhead 1/4-20 x 3/8
297	416500	Insert Lens Reflective RH

**NOTE:** All component dimensions given in U.S. inches  
1 inch = 25.4 mm

TRACTOR - MODEL NO. A20K46YT/93603900 (96046000300), PRODUCT NO. 960 46 00-03  
DRIVE

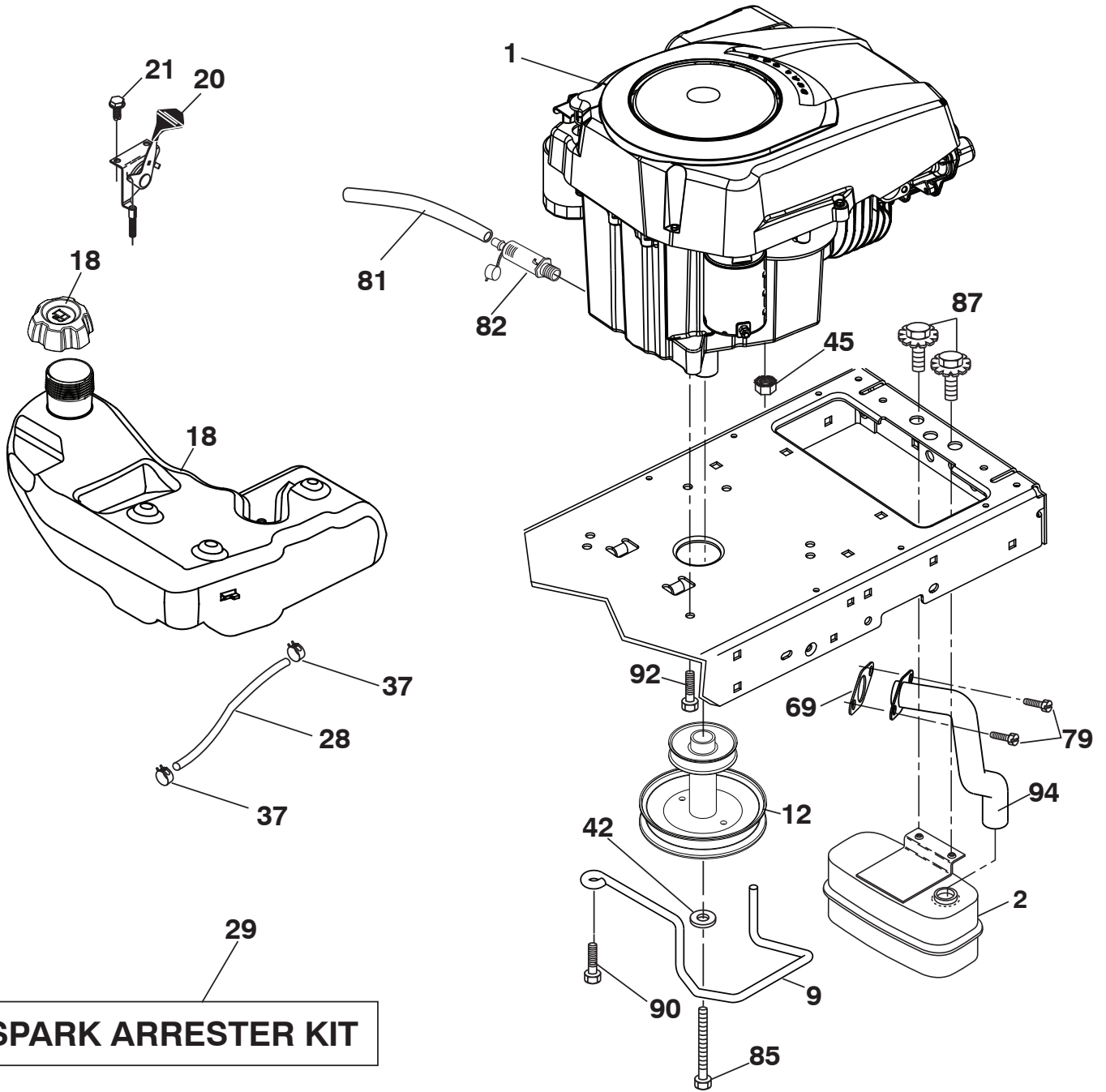




**TRACTOR - MODEL NO. A20K46YT/93603900 (96046000300), PRODUCT NO. 960 46 00-03  
DRIVE**

KEY NO.	PART NO.	DESCRIPTION	KEY NO.	PART NO.	DESCRIPTION
1	-----	Transaxle, Hydro T2-AABC-1X2B-1GX1 (Order Parts from Transaxle Manufacturer)	161	105709	Spring, Return, Clutch
2	123583X	Key	162	408784	Adapter Transaxle
15	19131316	Washer 13/32 x 13/16 x 16 Ga.	163	413322	Rod Pedal Control
17	197296	Spring, Brake	166	197290	Nut Push .625
26	199679	Spring Return Cruise	167	405257	Latch Brake Parking
29	408391	Rod, Brake	170	413430	Keeper Belt Centerspan
33	12000001	Ring E	183	156972	Spacer Axle
35	197722	Rod, Brake, Park	184	198403X505	Handle Parking Brake
37	121749X	Washer 25/32 x 1-1/4 x 16 Ga.	185	72110622	Bolt
42	8883R	Cover, Foot Pedal	186	194321	Spacer Retainer
49	72110614	Bolt	187	19133210	Washer
50	194327	Pulley Idler Flat	188	194323	Link Clutch Ground Drive
51	73900600	Lock Nut 3/8-16	189	194317	Bellcrank Ground Drive
52	194326	Idler V-Groove 910" Offset	190	194318	Keeper Bellcrank Ground Drive
56	125907	V-Belt, Drive	205	121748X	Washer 25/32 x 1-5/8 x 16 Ga.
64	197865	Shaft Asm. Pedal Brake Control	206	197867	Bracket Mount Latch Cruise
73	74490544	Bolt 5/16-18 Gr. 5	207	197868	Latch Control Cruise
80	408393	Strap Torque	208	197869	Gear Sector Control Cruise
92	74760520	Bolt Fin Hex 5/16-18 unc x 1.25	209	400769	Rod Control Cruise
99	408418	Rod Asm Bypass Spring	210	400980	Rockr Asm. Pdeal Control
114	73800500	Nut Lock 5/16-18 unc	211	120183X	Bearing Nylon
116	73900500	Nut Lock Hex Flange 5/16-18	213	400799x428	Knob control Cruise
121	175611	Bracket Strap Torque	214	197302x428	Pad Pedal Forward
122	72010520	Bolt 5/16-18 x 2.50	215	197301x428	Pad Pedal Reverse
125	17000512	Screw 5/16-18 x 3/4	216	196131	Bracket Pulley Idler
143	17490508	Screw Thdrol 5/16-18 x 1/2	221	403187	Retainer Spring Clip Handle
153	4497H	Retainer Spring	222	79212010	Washer 21/32 x 1-1/4 10 Ga.
159	76020412	Pin Cotter 1/8 x 3/4	231	407287	Idler V-Groove 1.688
160	169484	Retainer Clip			

**NOTE:** All component dimensions given in U.S. inches  
1 inch = 25.4 mm



**SPARK ARRESTER KIT**

engine-tex\_Kohl\_11

**TRACTOR - MODEL NO. A20K46YT/93603900 (96046000300), PRODUCT NO. 960 46 00-03  
ENGINE**

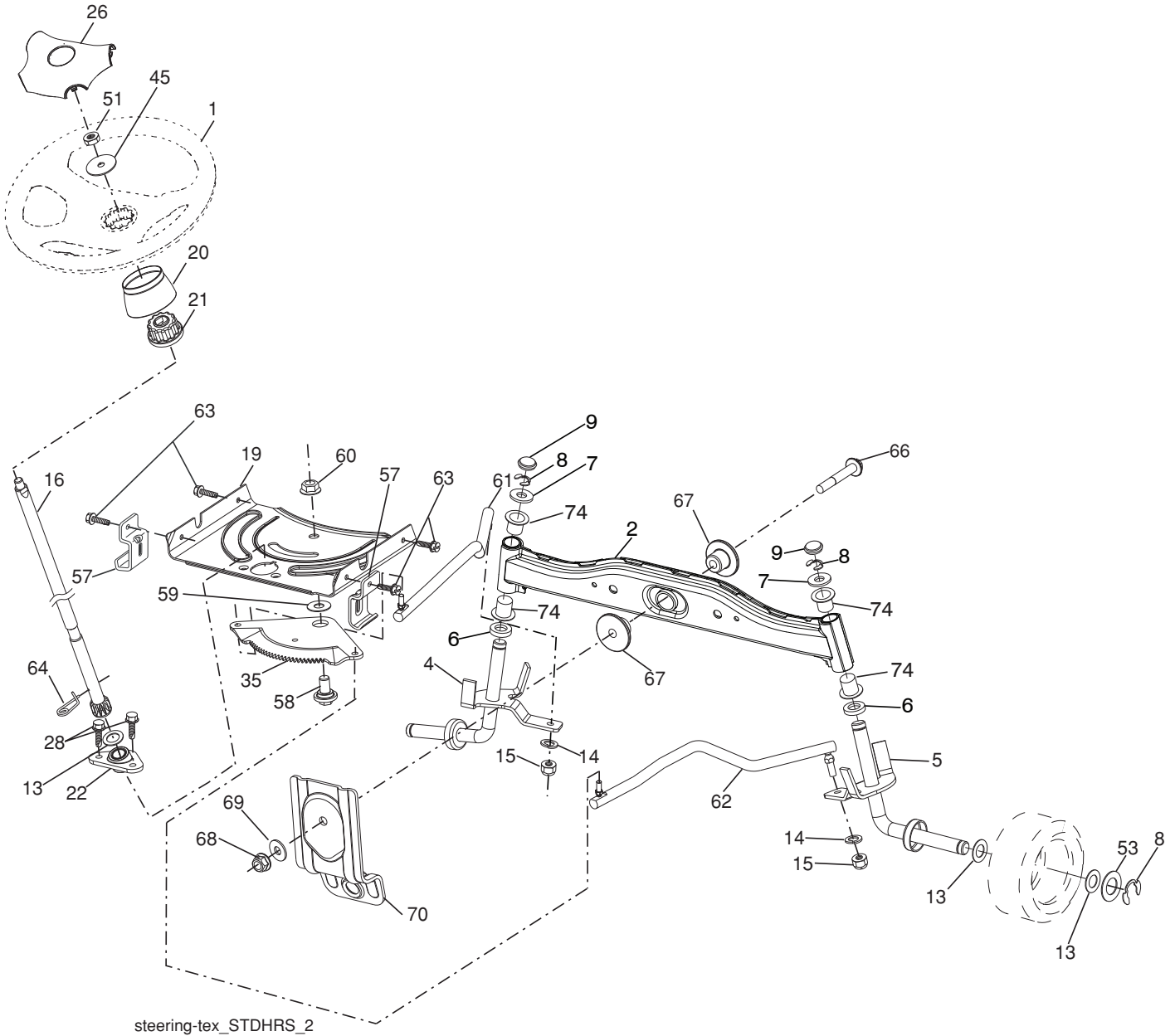
<b>KEY NO.</b>	<b>PART NO.</b>	<b>DESCRIPTION</b>
1	-----	Engine Kohl Model No. SV600
2	188655	Muffler
9	194319	Keeper Belt Engine
12	405140	Pulley Engine
15	400021	Tank Fuel
18	195951	Cap Asm
20	176636X428	Control Throttle
21	416358	Screw #10 x 0.750 BOS Thread
28	401135	Fuel Line
29	137180	Spark Arrester Kit
37	123487X	Clamp Hose
42	10040700	Washer Lock 7/16
45	73510400	Nut Keps Hex 1/4-20 unc
69	185909	Gasket
79	192334	Screw Socket HD 5/16-18 x .75
81	148456	Tube Drain Oil Easy
82	181654	Plug Drain Oil
85	173937	Bolt 7/16-20 x 4 x Gr. 5-1.5
87	171877	Bolt 5/16-18 unc x 3/4
90	17000616	Screw 3/8-16 x 1
92	17120616	Screw 3/8-16 x 1
94	188654	Tube Exhaust

**NOTE:** All component dimensions given in U.S. inches  
1 inch = 25.4 mm

For engine service and replacement parts, call the toll free number for your engine manufacturer listed below:

Kohler Co. 1-800-544-2444

**TRACTOR - MODEL NO. A20K46YT/93603900 (96046000300), PRODUCT NO. 960 46 00-03**  
**STEERING ASSEMBLY**

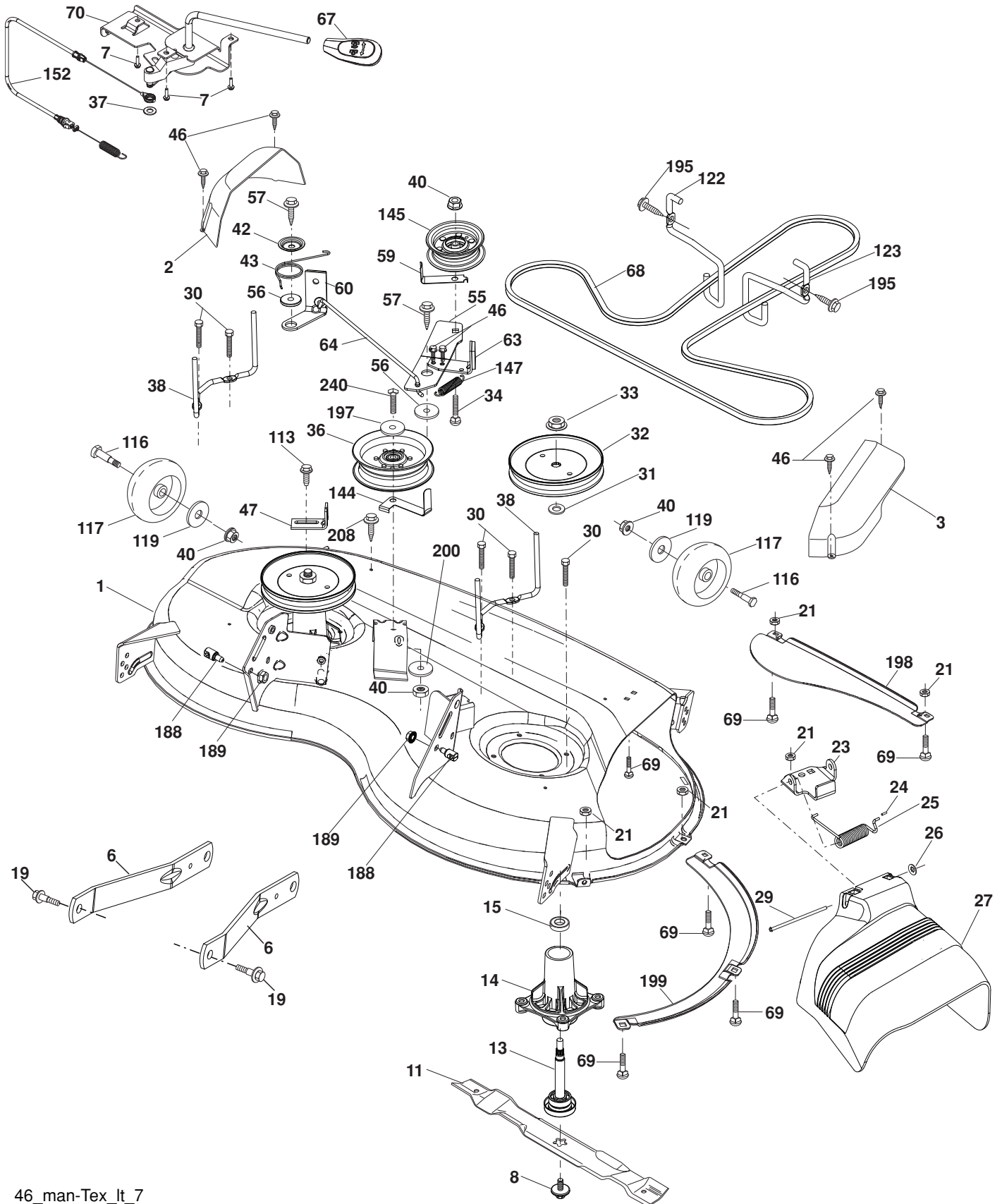


**TRACTOR - MODEL NO. A20K46YT/93603900 (96046000300), PRODUCT NO. 960 46 00-03  
STEERING ASSEMBLY**

<b>KEY NO.</b>	<b>PART NO.</b>	<b>DESCRIPTION</b>
1	414803X428	Wheel, Steering
2	418168	Axle Asm., Front
4	403087	Spindle Asm., LH
5	403088	Spindle Asm., RH
6	6266H	Bearing, Race Thrust Harden
7	121748X	Washer 25/32 x 1-5/8 x 16 Ga.
8	12000029	Ring, Clip #T5304-75
9	121232X	Cap, Spindle
13	121749X	Washer 25/32 x 1-1/4 x 16 Ga.
14	10040600	Washer, Lock Hvy Hlcl Spr 3/8
15	73540600	Nut, Crown Lock 3/8-24 unf
16	408219	Shaft Steering
19	194729	Plate Steering
20	199743X428	Boot, Steering
21	186737	Adapter, Wheel Steering
22	194845	Bushing, Strg. Blk
26	414854X428	Insert, Wheel Steering
28	17000612	Screw 3/8-16 x 3/4
35	194732	Gear, Sector Plate
45	19183812	Washer 9/16 ID x 2-3/8 x 12 Ga.
51	73940800	Nut Hex Jam Toplock 1/2-20 unf
53	188967	Washer Hardened .793 x 1.637 x .060
57	407465	Bracket Upstop
58	194747	Bolt Shoulder Sector Pivot CFM
59	194748	Washer Thrust Sector Steering
60	73971000	Nut Flange Lock 5/8-11
61	194740	Draglink, LH
62	194741	Draglink, RH
63	17000512	Screw 5/16-18 x 3/4
64	199849	Retainer Clip Spring Steering
66	71020748	Bolt Hex Fghd 7/16-14 x 3 Serr
67	194737	Bushing PM Front Axle
68	73900700	Nut Lock Flange 7/16-14 Gr. 5
69	199162	Washer 1.5 x .505 x .118
70	196197	Bracket Deck Susp. Front
74	3366R	Bearing Col. STRG.

**NOTE:** All component dimensions given in U.S. inches  
1 inch = 25.4 mm

**TRACTOR - MODEL NO. A20K46YT/93603900 (96046000300), PRODUCT NO. 960 46 00-03**  
**MOWER DECK**



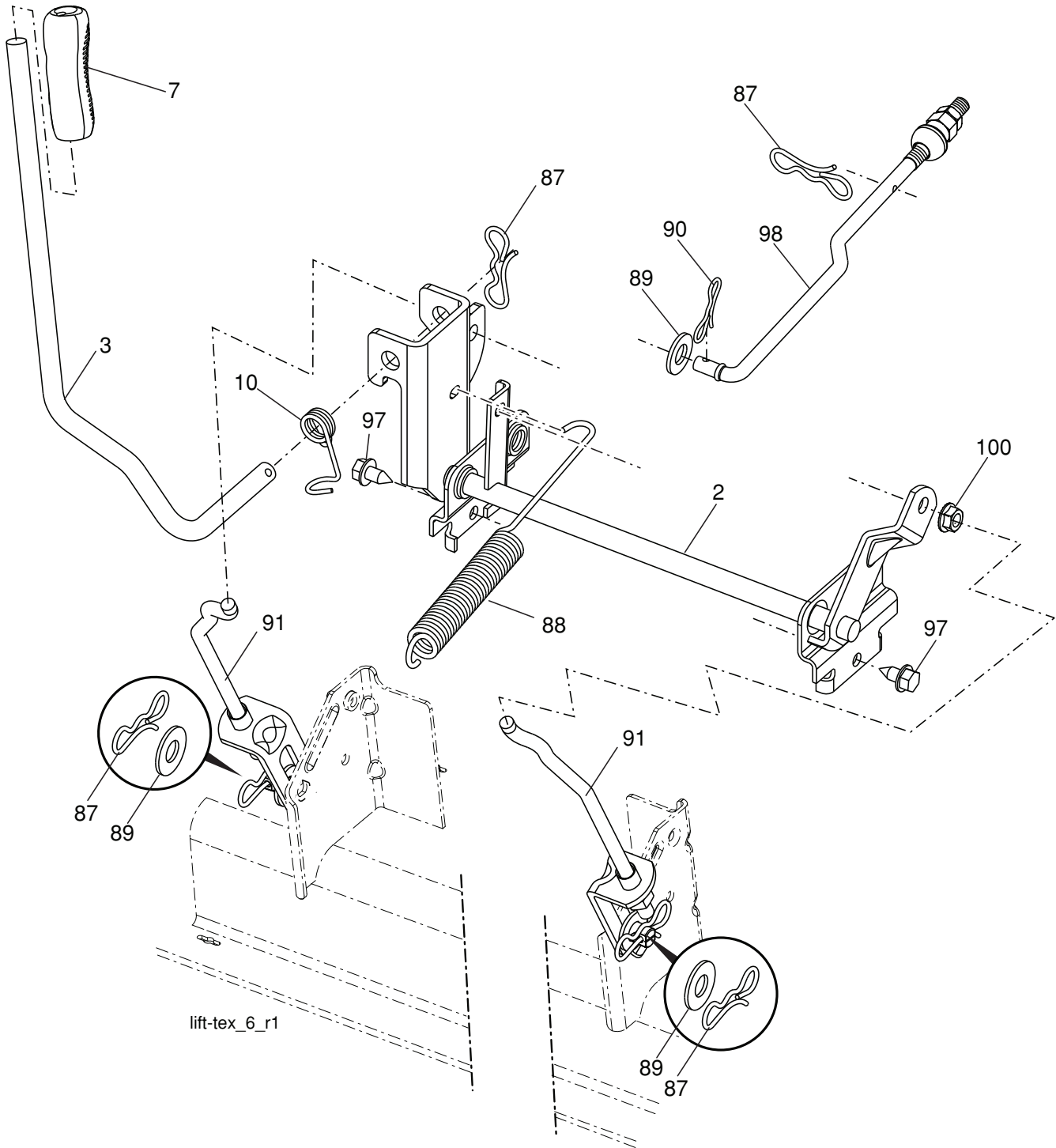
46\_man-Tex\_lt\_7

**TRACTOR - MODEL NO. A20K46YT/93603900 (96046000300), PRODUCT NO. 960 46 00-03  
MOWER DECK**

KEY NO.	PART NO.	DESCRIPTION	KEY NO.	PART NO.	DESCRIPTION
1	405049X422	Mower Housing	63	199478	Arm Brake Mower
2	405506	Cover Mandrel LH	64	405139	Linkage Brake
3	405507	Cover Mandrel RH	67	198398X428	Handle, Clutch Cable
6	195186	Arm Suspension	68	405143	V-Belt
7	416358	Screw #10 x 0.750 BOS Thread	69	72140505	Bolt
8	193003	Bolt/Washer Asm 7/16-20 unf	70	199779	Clutch Asm. Manual
11	405380	Blade Mower	113	17000510	Screw 5/16-18
13	192872	Shaft Assembly, Mandrel	116	193406	Bolt, Shoulder
14	187281	Housing, Mandrel	117	174873	Wheel, Gauge
15	110485X	Bearing, Ball, Mandrel	119	19132012	Washer 13/32 x 1-1/4 x 12 Ga.
19	196539	Bolt, Shoulder	122	197258	Keeper Belt Eng. LH
21	73680500	Nut	123	197259	Keeper Belt Eng. RH
23	192557	Bracket, Deflector	144	199204	Keeper Belt
24	105304X	Cap, Sleeve	145	177968	Pulley Idler
25	197026	Spring, Torsion, Deflector	147	401872	Spring Return
26	110452X	Nut, Push	152	408714	Cable Clutch Manual w/Spr.
27	405357	Shield, Deflector	188	195161	Stud Fastener
29	131491	Rod, Hinge	189	73900500	Nut Lock Hex Flange
30	173984	Screw Thdrol Rolling Wsh Hd	195	17000612	Screw 3/8-16 x 3/4
31	187690	Washer, Spacer	197	19131312	Washer 13/32 x 13/16 x 12 Ga.
32	197473	Pulley, Mandrel	198	403149	Baffle Center Front
33	400234	Nut, Toplock, Flanged	199	403150	Baffle Front RH
34	72110612	Bolt Carr Sh. 3/8-16 x 1-1/2 Gr. 5	208	17670608	Screw Thdrol 3/8-16 x 1/2
36	197379	Pulley, Idler	240	74520636	Bolt Fin Hex 3/8-16 x 2-1/4 Gr. 5
37	19131316	Washer 13/32 x 13/16 x 16 Ga.	200	413524	Washer 13/32 x 1 x 1/2 11 Ga.
38	199189	Keeper Belt LH Mandrel	--	192870	Mandrel Assembly (Includes housing, shaft assembly, and bearing only - pulley/nut/washer and blade bolt/washers not included)
40	73900600	Nut, Lock Flg. 3/8-16 unc	--	423803	Replacement Mower, Complete
42	197256	Spring Torsion Retainer			
43	198410	Spring Torsion Brake			
46	137729	Screw			
47	197250	Bracket Clutch Cable			
55	197249	Arm, Idler			
56	199092	Spacer, Retainer			
57	17000616	Screw Hexwsh Thd 3/8-16 x 1			
59	141043	Guard, Tuv Idler (94)			
60	199471	Arm Brake Mower			

**NOTE:** All component dimensions given in U.S. inches  
1 inch = 25.4 mm

**TRACTOR - MODEL NO. A20K46YT/93603900 (96046000300), PRODUCT NO. 960 46 00-03  
MOWER LIFT**



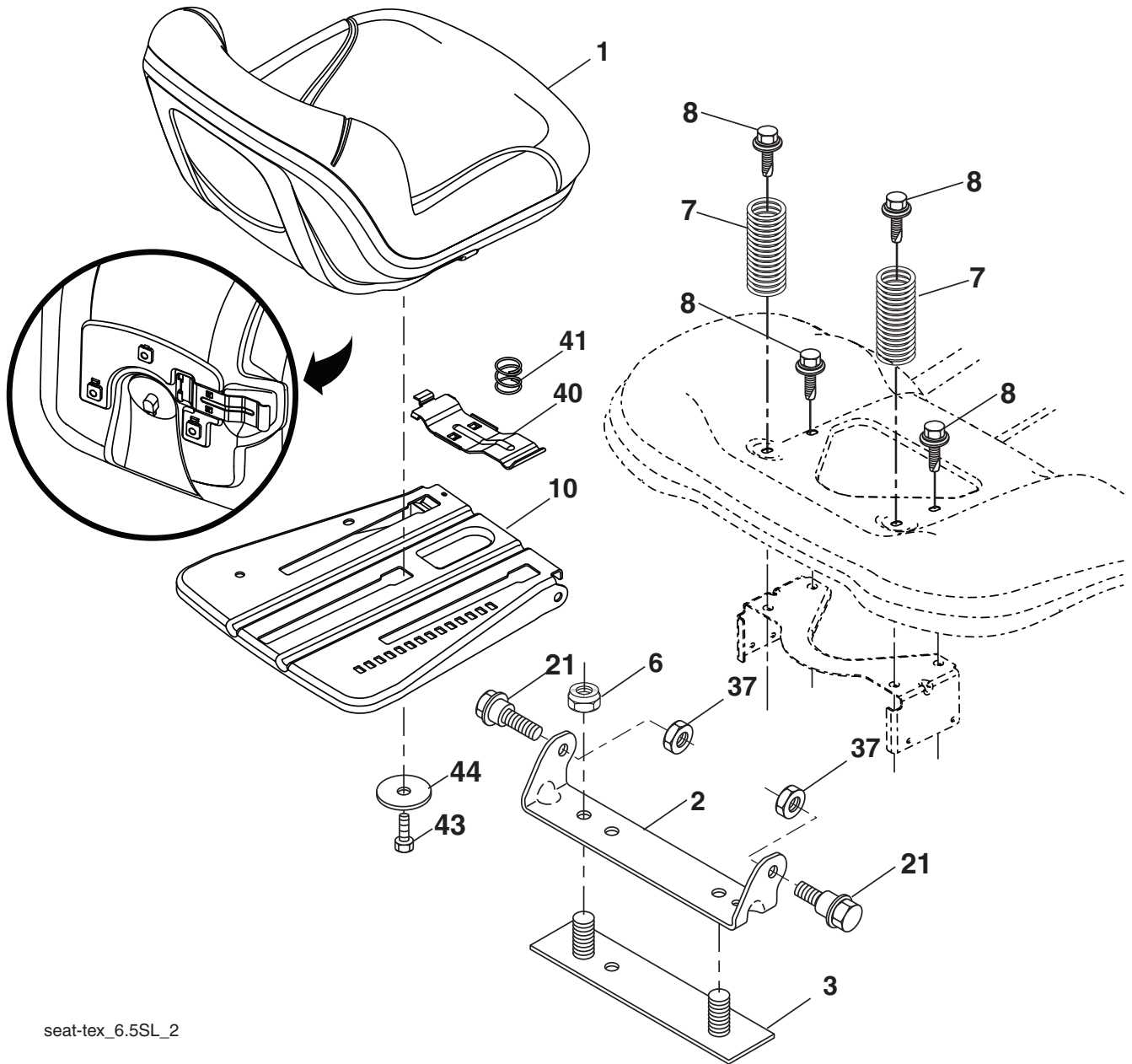
KEY NO.	PART NO.	DESCRIPTION
2	195223	Shaft Asm., Lift
3	195231	Lever Asm., Lift RH
7	196492X421	Grip, Lever
10	196314	Spring Torsion
87	194209	Pin Cotter 7/16 Bow Tie Lock
88	410710	Spring Lift Assist
89	19171912	Washer 17/32 x 1-3/16 x 12 Ga.

KEY NO.	PART NO.	DESCRIPTION
90	194208	Pin Cotter 5/16 Bow Tie Lock
91	195181	Link Asm. Lift Rear
97	17000612	Screw 3/8-16 x .75 Smsgml Tap/R.Z
98	195270	Link Lift Susp. Front Mower
100	73930600	Nut Centerlock 3/8-16 unc

**NOTE:** All component dimensions given in U.S. inches  
1 inch = 25.4 mm



**TRACTOR - MODEL NO. A20K46YT/93603900 (96046000300), PRODUCT NO. 960 46 00-03  
SEAT ASSEMBLY**



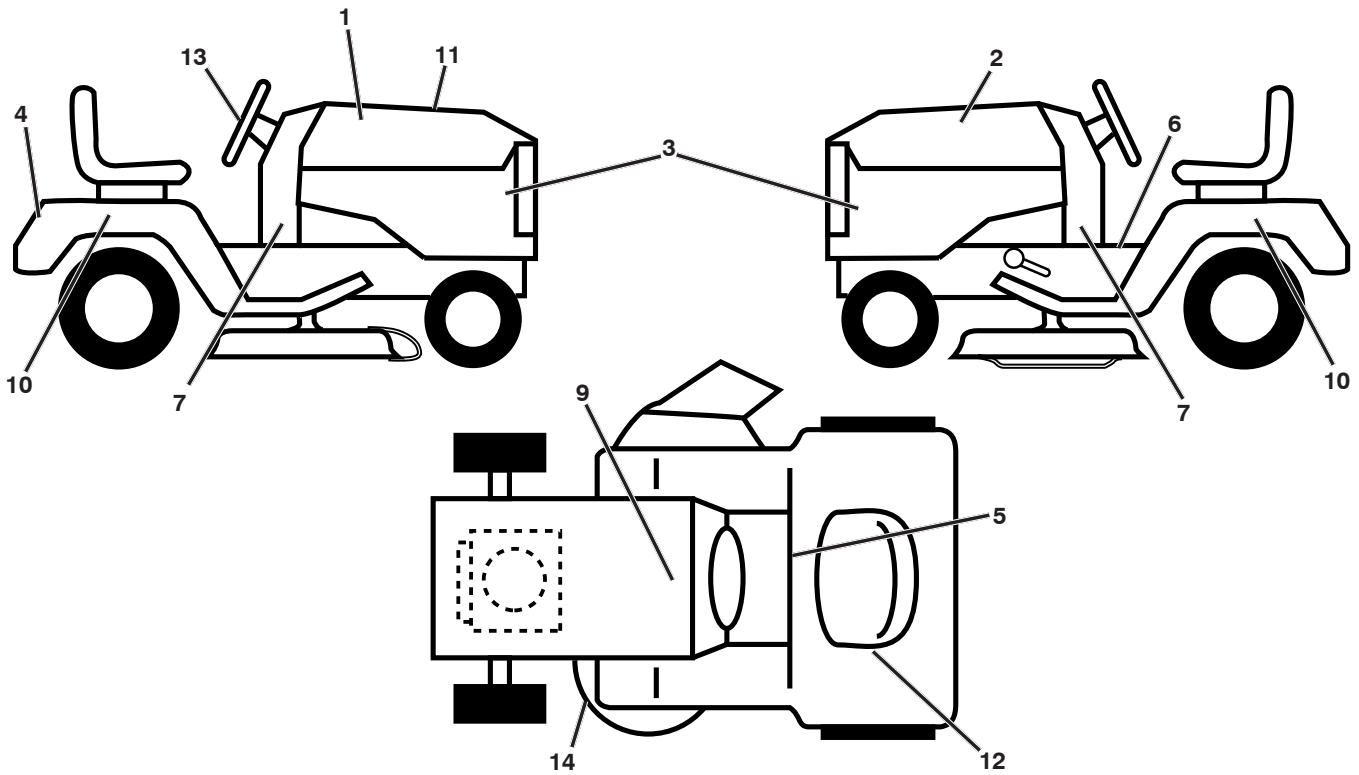
seat-tex\_6.5SL\_2

KEY NO.	PART NO.	DESCRIPTION
1	423010	Seat
2	180166	Bracket Pivot Fender
3	140675	Strap, Asm Fender
6	73800600	Nut, Lock w/Ins. 3/8-16 unc
7	124181X	Spring, Seat Cprsn
8	171877	Bolt 5/16-18 unc x 3/4 w/Sems
10	196977	Pan, Seat
21	171852	Bolt, Shoulder 5/16-18

KEY NO.	PART NO.	DESCRIPTION
37	73800500	Nut, Lock 5/16-18 unc
40	197661	Handle Slide Seat
41	198200	Spring Latch Seat
43	74760612	Bolt Fin Hex 3/8-16 unc x 3/4
44	19133812	Washer 13/32 x 2-3/8 x 12 Ga.

**NOTE:** All component dimensions given in U.S. inches  
1 inch = 25.4 mm

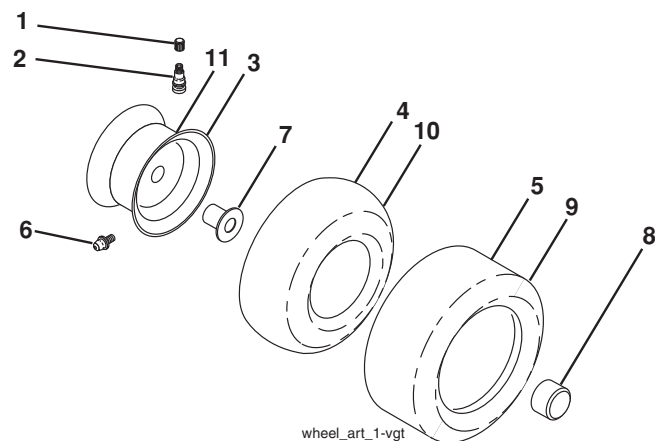
**TRACTOR - MODEL NO. A20K46YT/93603900 (96046000300), PRODUCT NO. 960 46 00-03  
DECALS**



KEY NO.	PART NO.	DESCRIPTION
1	422808	Decal, Hood RH
2	422809	Decal, Hood LH
3	422812	Decal, Side Panel
4	422855	Decal, Fender
5	422816	Decal, Fender Flag USA
6	411658	Decal, Fender Operator's
7	422811	Decal, Lower Dash
8	170563	Decal, Warning
9	145005	Decal, Battery Dnge/Poi
10	422813	Decal, Fender SD RH/LH

KEY NO.	PART NO.	DESCRIPTION
11	424088	Decal, Replacement
12	423830	Decal, Hood E85 Warning
13	422810	Decal, Steering Wheel
14	160396	Decal, Mower Schematic
--	400981X428	Pad, Footrest Control
--	166960	Decal, Bypass
--	193226X428	Pad, Footrest, LH
--	423811	Manual, Operator's (English/French)
--	424624	Manual, Operator's (Spanish)
--	423812	Manual, Parts (English/French)

**WHEELS AND TIRES**



KEY NO.	PART NO.	DESCRIPTION
1	59192	Cap, Valve, Tire
2	65139	Stem, Valve
3	106732X428	Rim Assembly, Front
4	59904	Tube, Front
5	106222X	Tire, Front
6	278H	Fitting, Grease
7	9040H	Bearing, Flange
8	104757X428	Cap, Axle (Front Wheel Only)
9	420531	Tire, Rear 18 x 9.5-8 Turf Saver LT
10	7152J	Tube, Rear
11	106108X428	Rim Assembly, Rear
--	144334	Sealant, Tire (10 oz. Tube)

**NOTE:** All component dimensions given in U.S. inches  
1 inch = 25.4 mm

---

# SERVICE NOTES

---

# LIMITED WARRANTY

The Manufacturer warrants to the original consumer purchaser that this product as manufactured is free from defects in materials and workmanship. For a period of two (2) years from date of purchase by the original consumer purchaser, we will repair or replace, at our option, without charge for parts or labor incurred in replacing parts, any part which we find to be defective due to materials or workmanship. This Warranty is subject to the following limitations and exclusions.

1. This warranty does not apply to the engine, transaxle/transmission components, battery (except as noted below) or components parts thereof. Please refer to the applicable manufacturer's warranty on these items.
2. Transportation charges for the movement of any power equipment unit or attachment are the responsibility of the purchaser. Transportation charges for any parts submitted for replacement under this warranty must be paid by the purchaser unless such return is requested by the manufacturer.
3. Battery Warranty: On products equipped with a Battery, we will replace, without charge to you, any battery which we find to be defective in manufacture, during the first ninety (90) days of ownership. After ninety (90) days, we will exchange the Battery, charging you 1/12 of the price of a new Battery for each full month from the date of the original sale. Battery must be maintained in accordance with the instructions furnished.
4. The Warranty period for any products used for rental or commercial purposes is limited to 90 days from the date of original purchase.
5. This Warranty applies only to products which have been properly assembled, adjusted, operated, and maintained in accordance with the instructions furnished. This Warranty does not apply to any product which has been subjected to alteration, misuse, abuse, improper assembly or installation, delivery damage, or to normal wear of the product.
6. Exclusions: Excluded from this Warranty are belts, blades, blade adapters, normal wear, normal adjustments, standard hardware and normal maintenance.
7. In the event you have a claim under this Warranty, you must return the product to an authorized service dealer.

Should you have any unanswered questions concerning this Warranty, please contact:

HOP  
Outdoor Products Customer Service Dept.  
1030 Stevens Creek Road  
Augusta, GA 30907 USA

In Canada contact:  
HOP  
5855 Terry Fox Way  
Mississauga, Ontario  
L5V 3E4

giving the model number, serial number and date of purchase of your product and the name and address of the authorized dealer from whom it was purchased.

THIS WARRANTY DOES NOT APPLY TO INCIDENTAL OR CONSEQUENTIAL DAMAGES AND ANY IMPLIED WARRANTIES ARE LIMITED TO THE SAME TIME PERIODS STATED HEREIN FOR OUR EXPRESSED WARRANTIES. Some areas do not allow the limitation of consequential damages or limitations of how long an implied Warranty may last, so the above limitations or exclusions may not apply to you. This Warranty gives you specific legal rights, and you may have other rights which vary from locale to locale.

This is a limited Warranty within the meaning of that term as defined in the Magnuson-Moss Act of 1975.





# GARANTIE LIMITEE

Le Fabricant garantit à l'acheteur initial que son produit tel que manufacturé est libre de défaut de matière et d'ouvrage. Pendant deux (2) ans, à compter de la date d'achat de la part de l'acheteur initial, nous réparerons ou remplacerons à notre choix, gratuitement, toute pièce, sur laquelle nous estimerons qu'il existe un défaut de matière ou d'ouvrage. Cette garantie est soumise aux limitations et exceptions suivantes:

1. Cette garantie ne couvre pas le moteur, la transmission/composants, la batterie (sauf comme mentionnée ci-dessous) ou les pièces détachées. Veuillez-vous consulter la garantie applicable du fabricant des articles.
2. L'acheteur est responsable des frais de transport de tous les équipements actionnés par moteur ou les accessoires. L'acheteur à moins que manufacturé demande à l'acheteur de renvoyer les pièces.
3. Garantie de la batterie: Pour les produits équipés d'une batterie, nous remplacerons, gratuitement, toute batterie estimée défectueuse pendant les quatre-vingt-dix (90) jours initiaux suivant l'achat. Après quatre-vingt-dix (90) jours, nous échangeons la batterie, le coût pour vous être 1/12 du prix d'une nouvelle batterie pour chaque mois complet à compter de la date d'achat initiale. La batterie doit être entretenue selon les directives données dans la documentation approuvée.
4. La période de garantie applicable aux produits proposés en location ou à des fins commerciales est limitée à quatre-vingt-dix (90) jours à compter de la date d'achat initiale.
5. Cette garantie ne s'applique qu'aux produits correctement montés, réglés, utilisés et entretenus conformément aux instructions données dans la documentation approuvée. Cette garantie ne s'applique pas aux produits qui ont été modifiés, utilisés incorrectement, abusés, mal installés ou avariés lors de la livraison ou usage normal.
6. Exclusions: Les courroies, les lames, les adaptateurs de lame, l'usage normal, les réglages normaux, la visserie standard, et l'entretien normal sont exclus de cette garantie.
7. En cas de problème entrant dans le cadre de cette garantie, veuillez-vous retourner votre machine à un concessionnaire autorisé.

Si vous auriez aucune question sans réponse concernant cette garantie, s'il vous plaît contactez:

HOP Outdoor Products Customer Service Dept. 1030 Stevens Creek Road Augusta, GA 30907 USA	Au Canada: HOP 5855 Terry Fox Way Mississauga, Ontario L5V 3E4
--	--

en nous donnant le numéro du modèle, le numéro de série, la date d'achat de votre machine ainsi que l'adresse du concessionnaire autorisé chez qui vous l'avez achetée.

CETTE GARANTIE NE COUVRE AUCUN DOMMAGE INCIDENTEL OU CONSÉQUENT ET TOUTE GARANTIE IMPLICITE EST LIMITEE AUX MEMES PERIODES PRECISEES ICI POUR LES GARANTIES EXPLICITES DU FABRICANT. Certaines localités ne permettent aucune restriction des dommages conséquents ou de la durée d'une garantie implicite et; par conséquent, il se pourrait que les restrictions et exclusions énoncées ci-dessus ne s'appliquent pas à vous. Cette garantie vous donne droits légaux spécifiques et vous pouvez aussi avoir d'autres droits d'un endroit à un autre.

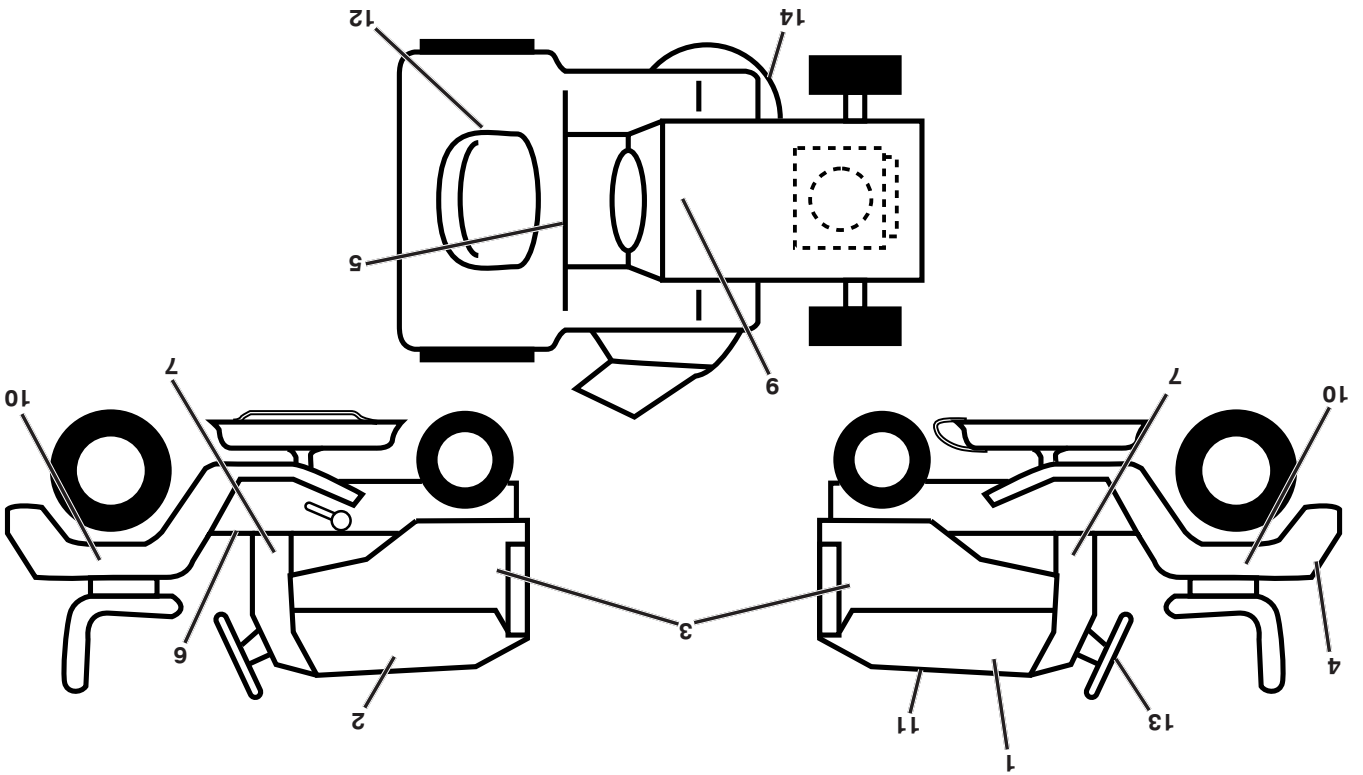
Cette garantie est une garantie limitée comme définie dans la loi Magnuson-Moss Act de 1975.

---

**REMARQUES D'ENTRETIEN**

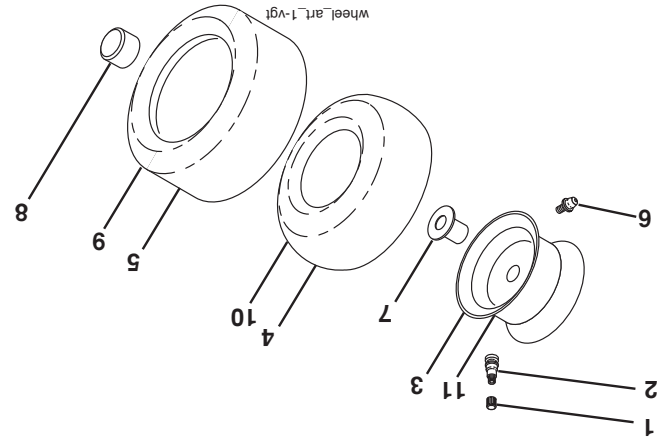
---

DÉCALCOMANIE



NO. DÉ	REF. PIÈCE	DESCRIPTION
1	422808	Décalcomanie du capot C.G.
2	422809	Décalcomanie du capot C.D
3	422812	Décalcomanie du panneau latéral
4	422855	Décalque, Amortisseur
5	422816	Décalque, Amortisseur Drapreau USA
6	411658	Décalcomanie d'opération
7	422811	Décalque, Tirret Inférieur
8	170563	Décalcomanie d'avertissement
9	145005	Décalcomanie de danger/poison de la batterie
10	422813	Décalcomanie du Pare-chocs SD C.D./C.G.
NO. DÉ	REF. PIÈCE	DESCRIPTION
11	424088	Décalcomanie remplaçant
12	423830	Décalcomanie E85 d'avertissement
13	422810	Décalque, Roue De Direction
14	160396	Décalque, Schéma De Fauchuse
--	166960	Décalcomanie dérivation
--	400981X428	Coussin d' repose-pied
--	193226X428	Coussin d' repose-pied C.G.
--	423811	Manuel du propriétaire (anglais/français)
--	424624	Manuel du propriétaire (Espagnol)
--	423812	Manuel du pièces (anglais/français)

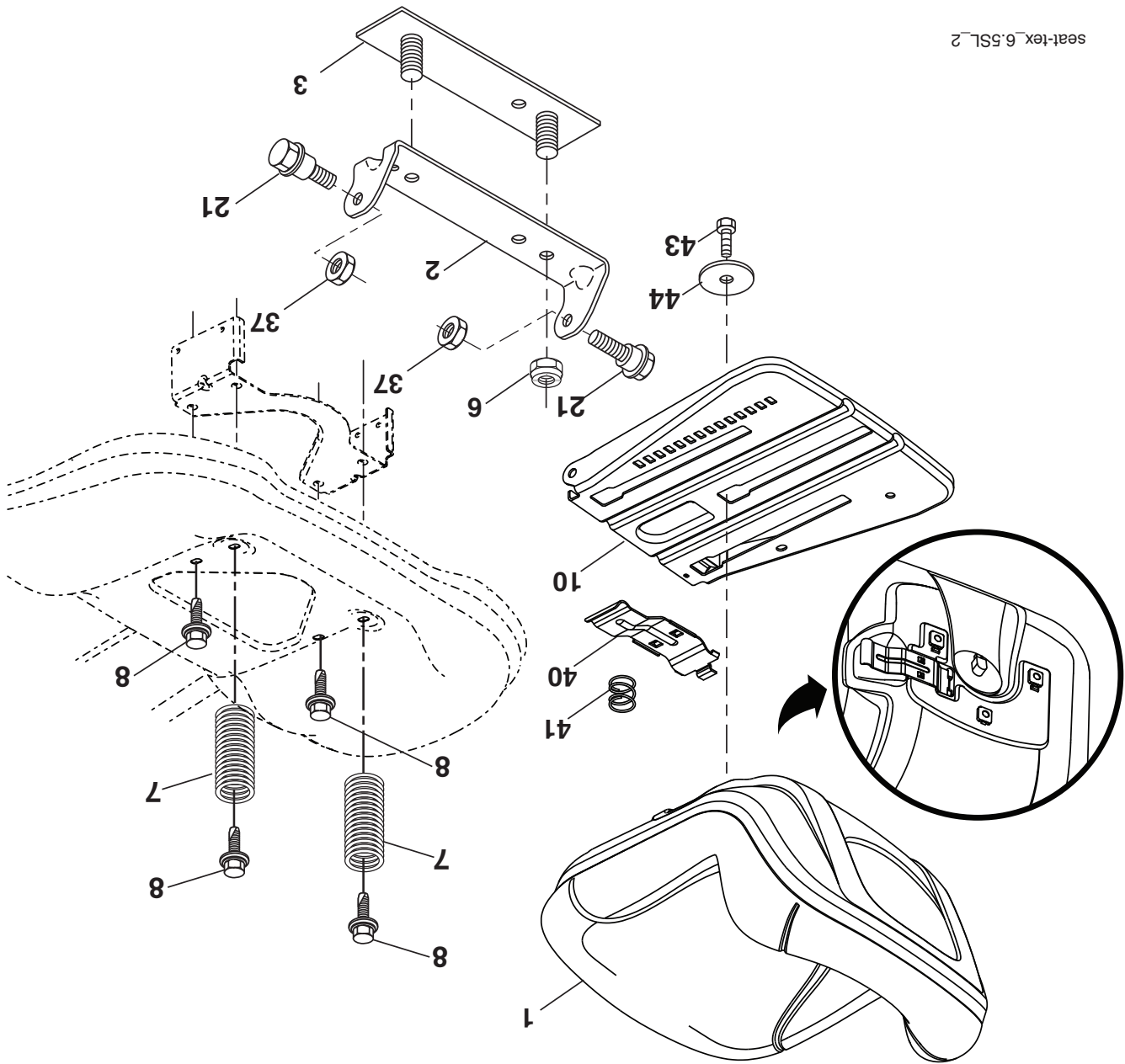
ROUES & PNEUS



NO. DÉ	REF. PIÈCE	DESCRIPTION
1	59192	Capuchon de la valve du pneu
2	65139	Tubulure de la valve
3	106732X428	Ensemble de la jante antérieure de 6"
4	59904	Chambre à air antérieure
5	106222X	Pneu antérieur 15 x 6 0 - 6
6	278H	Graisseur (roue antérieure seulement)
7	9040H	Palier à bride (roue antérieure seulement)
8	104757X428	Chapeau de l'essieu 1 50 x 1 00
9	420531	Pneu arrière 18 x 9,5-8 Turf Saver LT
10	7152J	Chambre à air arrière (non fournie)
11	106108X428	Rim Assembly, Rear
--	144334	Joint d'étanchéité de pneu (tube de .30L [10 oz. Tube])

Remarque: Toutes les dimensions de composant sont données en pouces E.-U. --1 pouce = 25,4 mm

ENSEMBLE DU SIÈGE



seat-tex\_6.5SL\_2

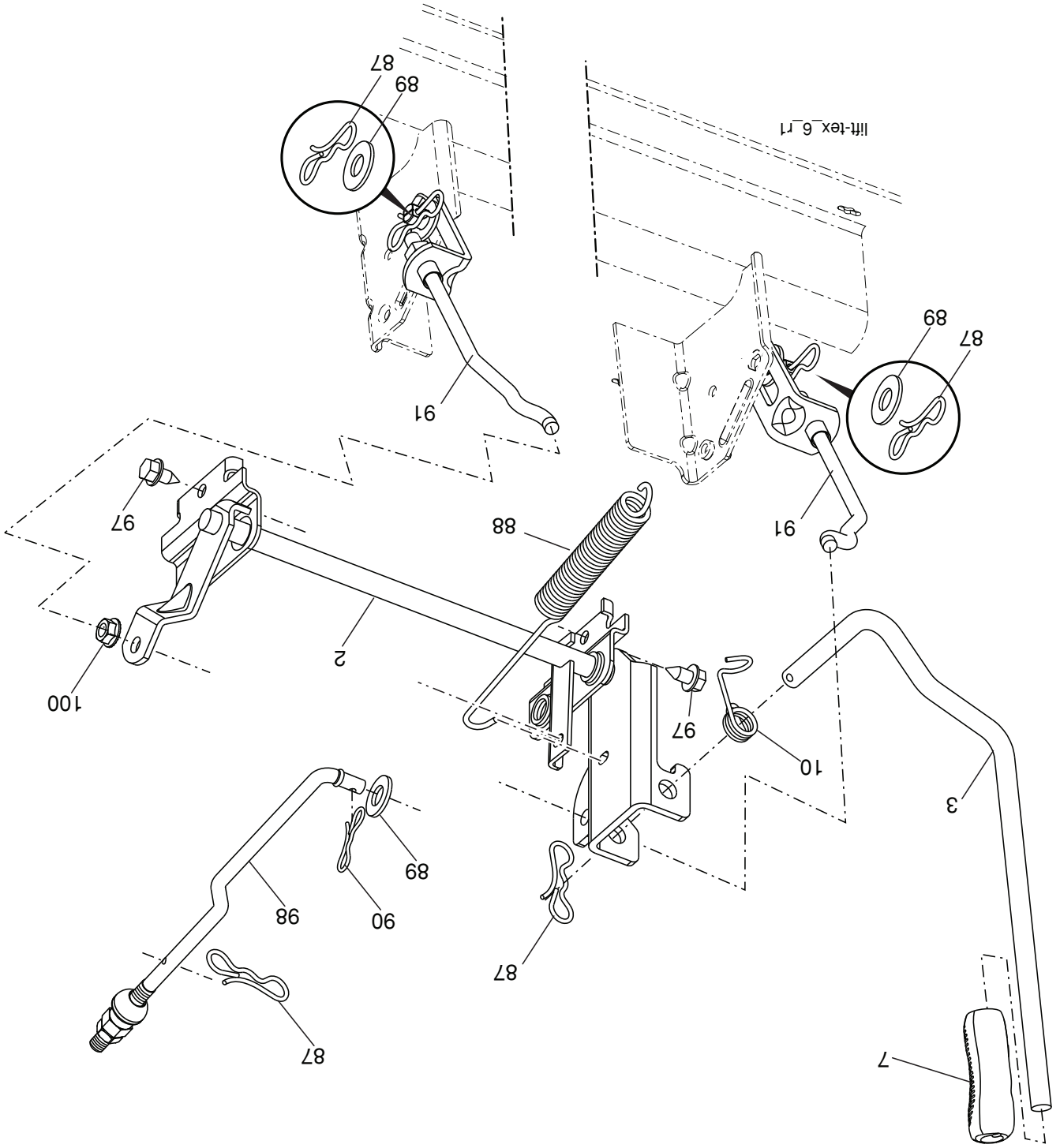
NO.	DÉ	REF.	PIÈCE
1		423010	Siège
2		180166	Support de pivot
3		140675	Attache de l'ensemble de l'aile
6		73800600	Ecroû frein H avec insert 3/8-16 unc
7		124181X	Ressort de compression du siège
8		171877	Boulon 5/16-18 unc x 3/4 s
10		196977	Cuvette du siège
21		171852	Boulon à épaulement 5/16-18

NO.	DÉ	REF.	PIÈCE
37		73800500	Ecroû frein 5/16-18 unc
40		197661	Guidon
41		198200	Ressort de compression
43		74760612	Boulon 3/8-16 unc x 3/4
44		19133812	Rondelle 13/32 x 2-3/8 x 12Ja.

NO.	DÉ	REF.	PIÈCE
37		73800500	Ecroû frein 5/16-18 unc
40		197661	Guidon
41		198200	Ressort de compression
43		74760612	Boulon 3/8-16 unc x 3/4
44		19133812	Rondelle 13/32 x 2-3/8 x 12Ja.

**Remarque:** Toutes les dimensions de composant sont données en pouces E.-U. -- 1 pouce = 25,4 mm





NO. DÉ	REF. PIÈCE
2	195223
3	195231
7	196492X421
10	196314
87	194209
88	410710
89	19171912
90	194208

DESCRIPTION
Ensemble de l'arbre
Ensemble de l'arbre de levage C.D.
Poignée cannelée du levier
Ressort de Torsion
Goupille fendue 7/16
Ressort de retenue
Rondelle 17/32 x 1-3/16 x 12 Ga.
Goupille fendue 5/16

NO. DÉ	REF. PIÈCE
91	195181
97	1700612
98	195270
100	73930600

DESCRIPTION
Raccord de levage
Vis 3/8-16 x .75
Raccord de levage
Centrer la noix de serrure

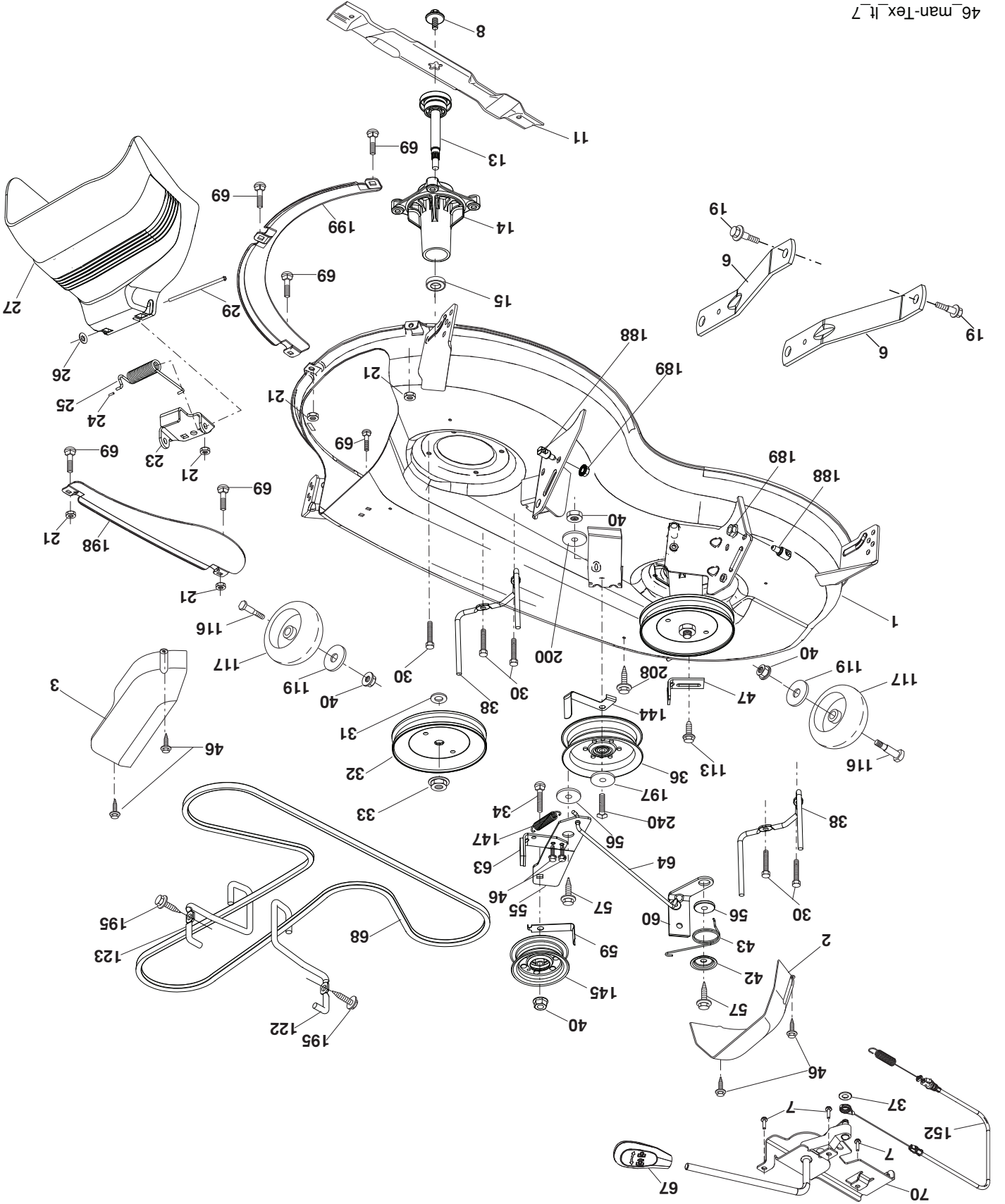
**Remarque:** Toutes les dimensions de composant sont données en pouces E.-U. --1 pouce = 25,4 mm

KEY PART NO.	DESCRIPTION	KEY PART NO.	DESCRIPTION
1	405049X422	63	Armer la Tondeuse à gazon de Frein
2	405506	64	Frein de lien
3	405507	67	Poignée, le Câble De Commande
6	195186	68	V-Ceinture
7	416358	69	Boulon
8	193003	70	Saisir Asm. Manuel
11	405380	113	Vis 5/16-18
13	192872	116	Boulon, Shoulder
14	187281	117	La roue, la Jauge
15	110485X	119	Rondelle 13/32 x 1-1/4 x 12 Ga.
19	196539	122	Ceinture de gardien Eng. LH
21	73680500	123	Ceinture de gardien Eng. RH
23	192557	144	Ceinture de gardien
24	105304X	145	Pouille de tension de pouille
25	197026	147	Bondir le Retour
26	110452X	152	Câbler le Manuel d'Embrayage w/Spr.
27	405357	188	Clouter le Fermoir
29	131491	189	Bride de Sort de Serrure de noix
30	173984	195	Vis 3/8-16 x 3/4
31	187690	197	Rondelle 13/32 x 13/16 x 12 Ga.
32	197473	198	Contondre le milieu du devant
33	400234	199	Contondre le DevantRH
34	72110612	200	Rondelle 13/32 x 1 x 1/2 11 Ga.
36	197379	208	Vis 3/8-16 x 1/2
37	19131316	240	Boulon Fin Hex 3/8-16 x 2-1/4 Gr. 5
38	199189	403150	Contondre le DevantRH
40	73900600	403149	Contondre le milieu du devant
42	197256	4031312	Rondelle 13/32 x 13/16 x 12 Ga.
43	198410	403150	Contondre le DevantRH
46	137729	403149	Contondre le milieu du devant
47	197250	4031312	Rondelle 13/32 x 13/16 x 12 Ga.
55	197249	423803	La Tondeuse à gazon de remplacement, Completé
56	199092		
57	17000616		
59	141043		
60	199471		

**Remarque:** Toutes les dimensions de composant sont données en pouces E.-U. -- 1 pouce = 25,4 mm

# TRACTEUR - NO. DE MODÈLE A20K46YT/93603900 (96046000300), NO. DE PRODUIT 960 46 00-03

## CARTER DE TONDEUSE

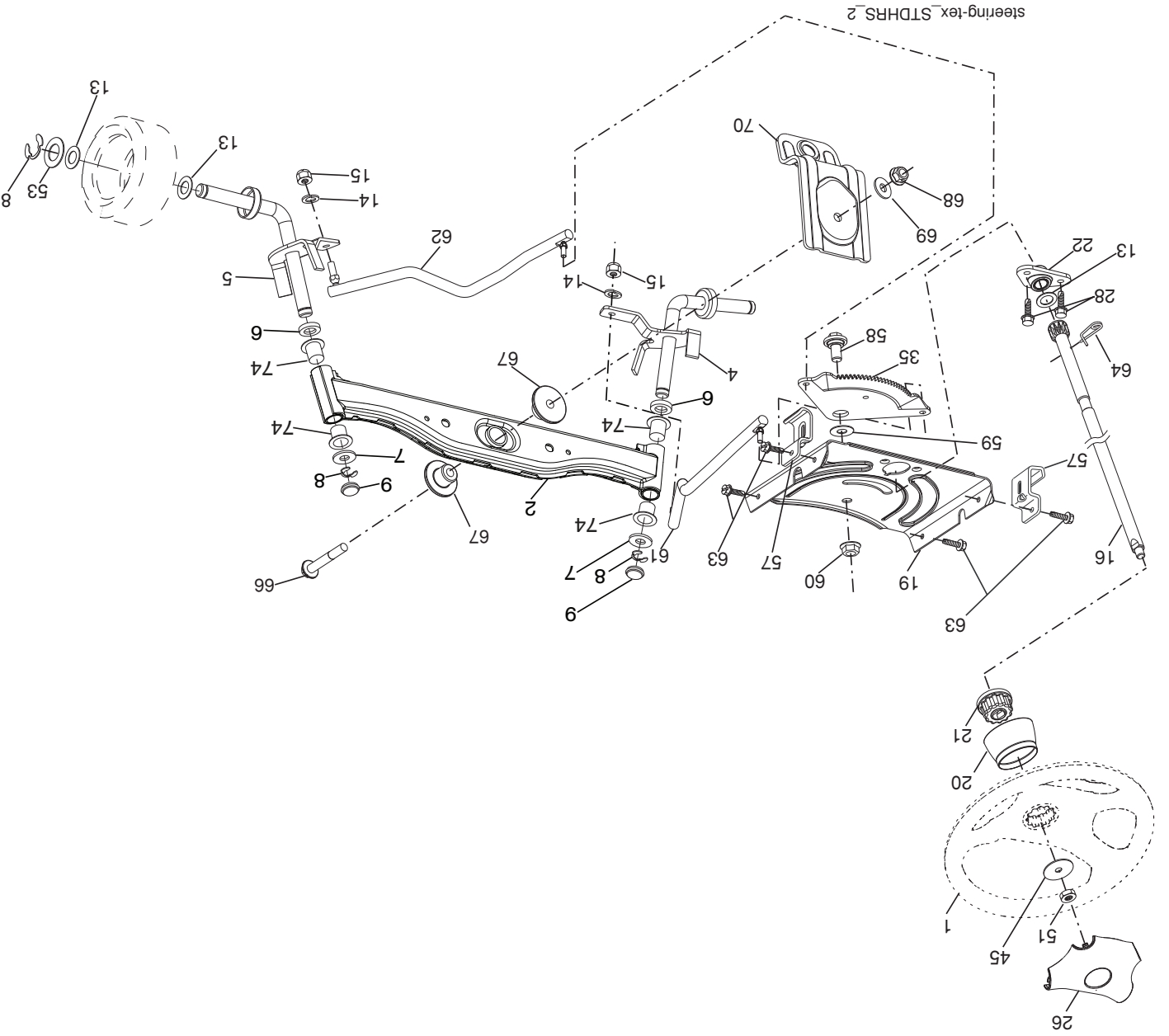


NO. DE RÉF. PIÈCE	DESCRIPTION
1	Volant de direction 414803X428
2	Essieu 418168
4	Ensemble de la broche C.G. 403088
5	Ensemble de la broche C.D. 194744
6	Pallier de butée durci 6266H
7	Rondelle 25/32 x 1-5/8 x 16 Ga. 121748X
8	Rondelle clip n°15304-75 12000029
9	Chapeau de broche 121232X
13	Rondelle 25/32 x 1-1/4 x 16 Ga. 121749X
14	Rondelle 3/8 10040600
15	Ecrou frein 3/8-24 unft 73540600
16	Arbre de direction 408219
19	Arbre de plaque 194729
20	Initialisation de direction 199743X428
21	Adaptateur du volant de direction 186737
22	Douille de direction 194845
26	Insert de chapeau du volant de direction 414854X428
28	Vis 3/8-16 x 3/4 17000612
35	Secteur denté 194732
45	Rondelle 9/16 ID x 2-3/8 x 12 Ga. 19183812
51	Ecrou 1/2-20 unft 73940800
53	Rondelle .793 x 1.637 x .060 188967
57	Support 407465
58	Boulon 194747
59	Rondelle 194748
60	Ecrou 5/8-11 73971000
61	Main gauche De Draglink 194740
62	Main droite De Draglink 194741
63	Vis 5/16-18 x 3/4 17000512
64	Collier de retenue 199849
66	Boulon 7/16-14 x 3 Serr 71020748
67	Douille 194737
68	Ecrou frein à collet 7/16-14 Gr. 5 73900700
69	Rondelle 1.5 x .505 x .18 199162
70	Parenthèse Avant De Prolongation De Plate-forme 196197
74	Pallier 3366R

**Remarque:** Toutes les dimensions de composant sont données en pouces E.-U. --1 pouce = 25,4 mm

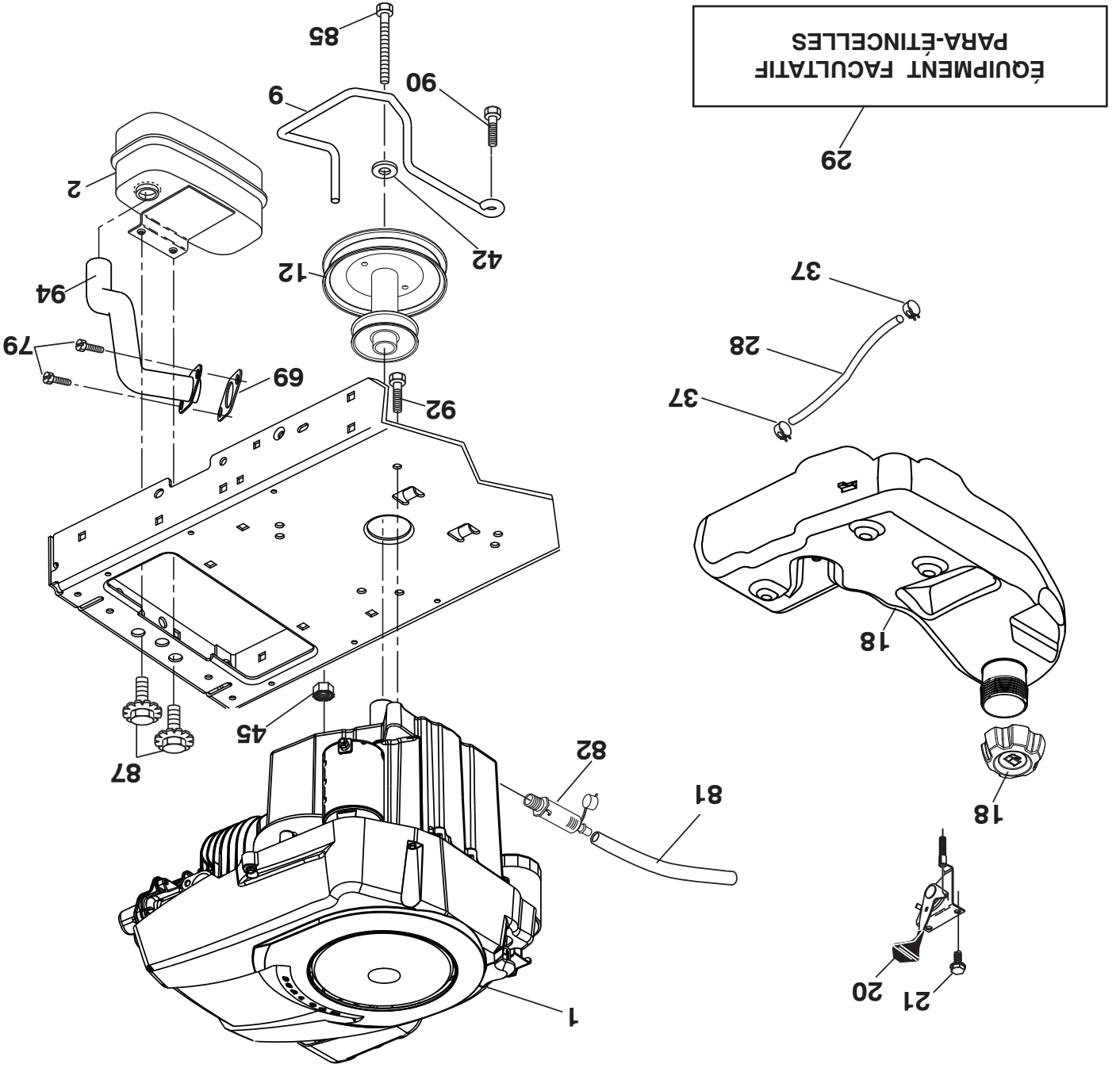
TRACTEUR - NO. DE MODÈLE A20K46YT/93603900 (96046000300), NO. DE PRODUIT 960 46 00-03

ENSEMBLE DE LA DIRECTION



NO. NO. DÉ DÉ RÉF. PIÈCE	DESCRIPTION
1	Moteur Kohl No. de modèle SV600
2	Silencieux
9	Ensemble de la guide courroie du moteur
12	Poulie
15	Réservoir d'essence
18	Chapeau
20	176636X428 Commande des gaz
21	416358 Vis #10 x 0.750
28	401135 Conduite d'essence
29	137180 Jeu de pare - étincelles
37	123487X Bride de serrage de tuyau
42	10040700 Rondelle frein 7/16
45	73510400 Ecrou H 1/4-20 unc
69	185909 Garniture
79	192334 Vis socket HD 5/16-18 x .75
81	148456 Tube de vidange d'huile
82	181654 Bouchon de vidange D'huile
92	17120616 Vis 3/8-16 x 1
85	173937 Boulon 7/16-20 x 4 x Gr. 5-1.5
87	171877 Boulon 5/16-18 unc x 3/4
90	17000616 Vis 3/8-16 x 1
92	17120616 Vis 3/8-16 x 1
94	188654 Tube d'échappement

**REMARQUE:** Toutes les dimensions de composant sont données en pouces E.-U. — 1 pouce = 25,4 mm.  
Pour des pièces de service et de rechange de moteur, réclamez le numéro de téléphone libre pour votre fabricant de moteur énuméré ci-dessous:  
Kohler Co. 1-800-544-2444



ENTRAÎNEMENT

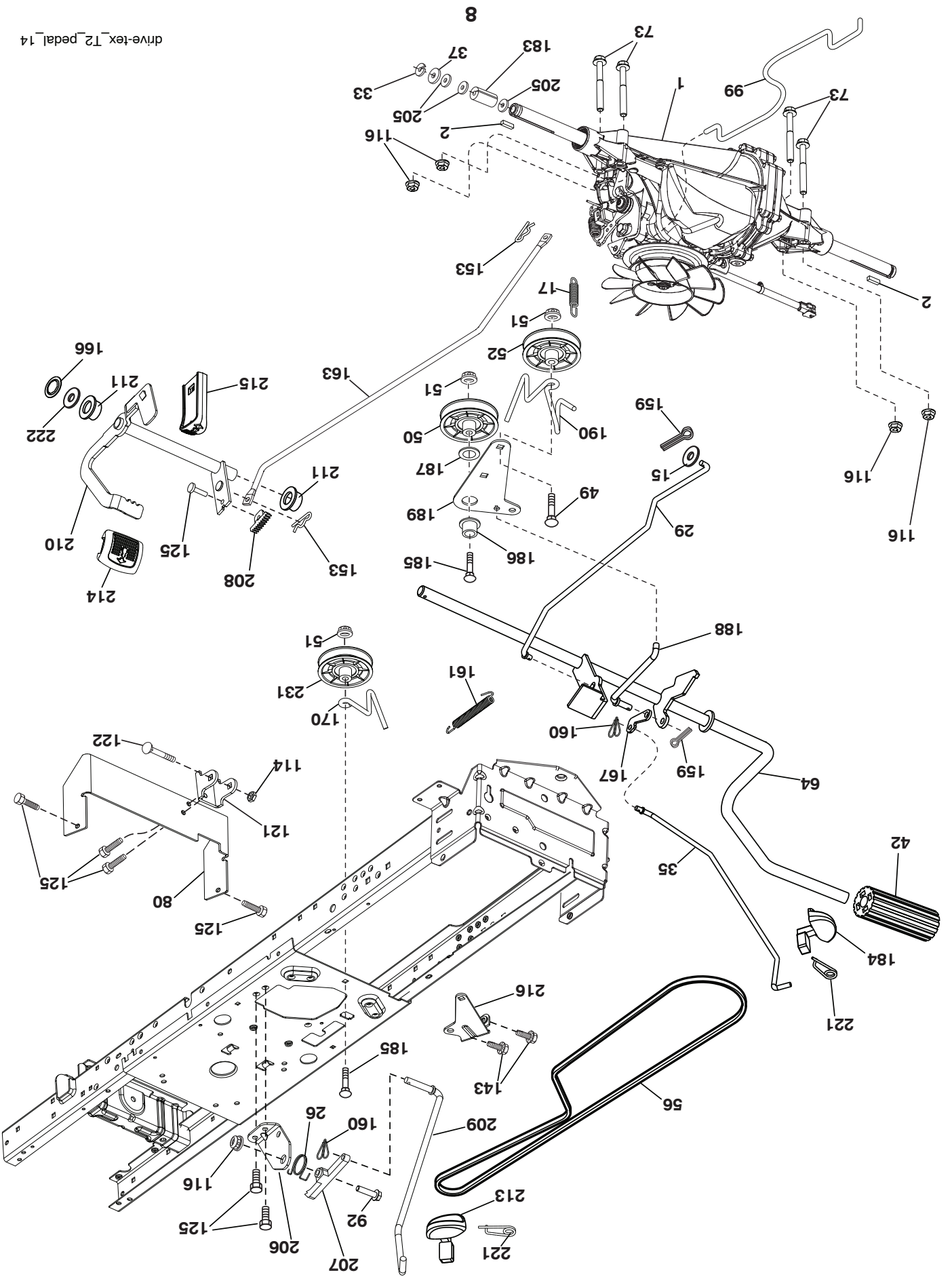
NO. DE DÉPIECE	DESCRIPTION	NO. DE DÉPIECE	DESCRIPTION
1	-----	162	Adaptateur de transmission
2	123583X	163	De commande Tringle De Pédale
33	12000001	166	Poussez l'écroû .625
29	408391	167	Loquet
26	199679	170	Guide-courroies fendue
17	197296	184	Poignée de frein de stationnement
15	19131316	185	Boulon
123583X	Cle	186	Ressort de retenue
197296	Ressort	187	Rondelle
199679	Ressort de rappel	188	Raccord d'embrayage
408391	Tige du frein	189	Levier coude
12000001	Bague en E	190	Commande Au sol De Balancier De Garde
197222	Tige du frein de stationnement	194317	Rondelle 25/32 x 1-5/8 x 16 Ga.
121749X	Rondelle 25/32 x 1-1/4 x 16 Ga.	197867	Support
8883R	Couverture de la pédale	197868	Loquet
72110614	Boulon	197869	Secteur denté
194327	Poulie du galet-tendeur	400769	Tige
73900600	Écroû frein 3/8-16	400980	Commande de pédale
194326	Galet-tendeur	120183X	Pallier de nylon
197865	Ensemble de l'arbre	400799 x428	Bouton De Commande De Croisière
125907	Courroie trapézoïdale	197302 x428	Pédale en avant
408418	Tige de dérivation	197301 x428	Pédale contraire
73900500	Écroû frein 5/16-18 unc	196131	Le soutien de la poulie de tension
116	73900500	403187	Poignée de retenue de trombone de
121	175611	221	printemps
122	72010520	222	Rondelle 21/32 x 1-1/4 10 Ga.
125	17000512	407287	Galet-tendeur cannelée 1.688
143	17490508		
153	4497H		
159	76020412		
160	169484		
161	105709		

Remarque: Toutes les dimensions de composant sont données en pouces E.-U. -- 1 pouce = 25,4 mm



TRACTEUR - NO. DE MODÈLE A20K46YT/93603900 (96046000300), NO. DE PRODUIT 960 46 00-03

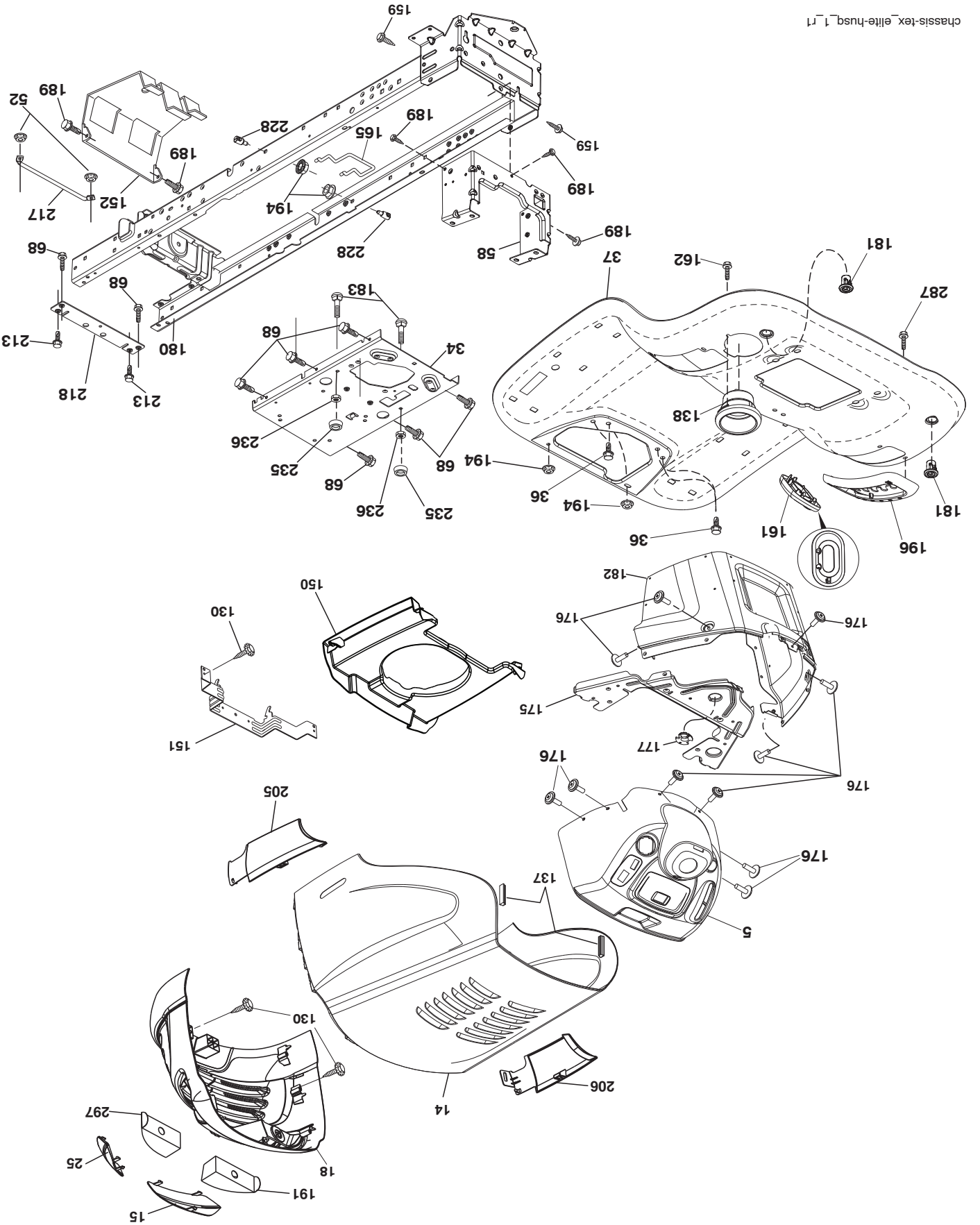
ENTRAÎNEMENT



drive-lex\_T2\_pedal\_14

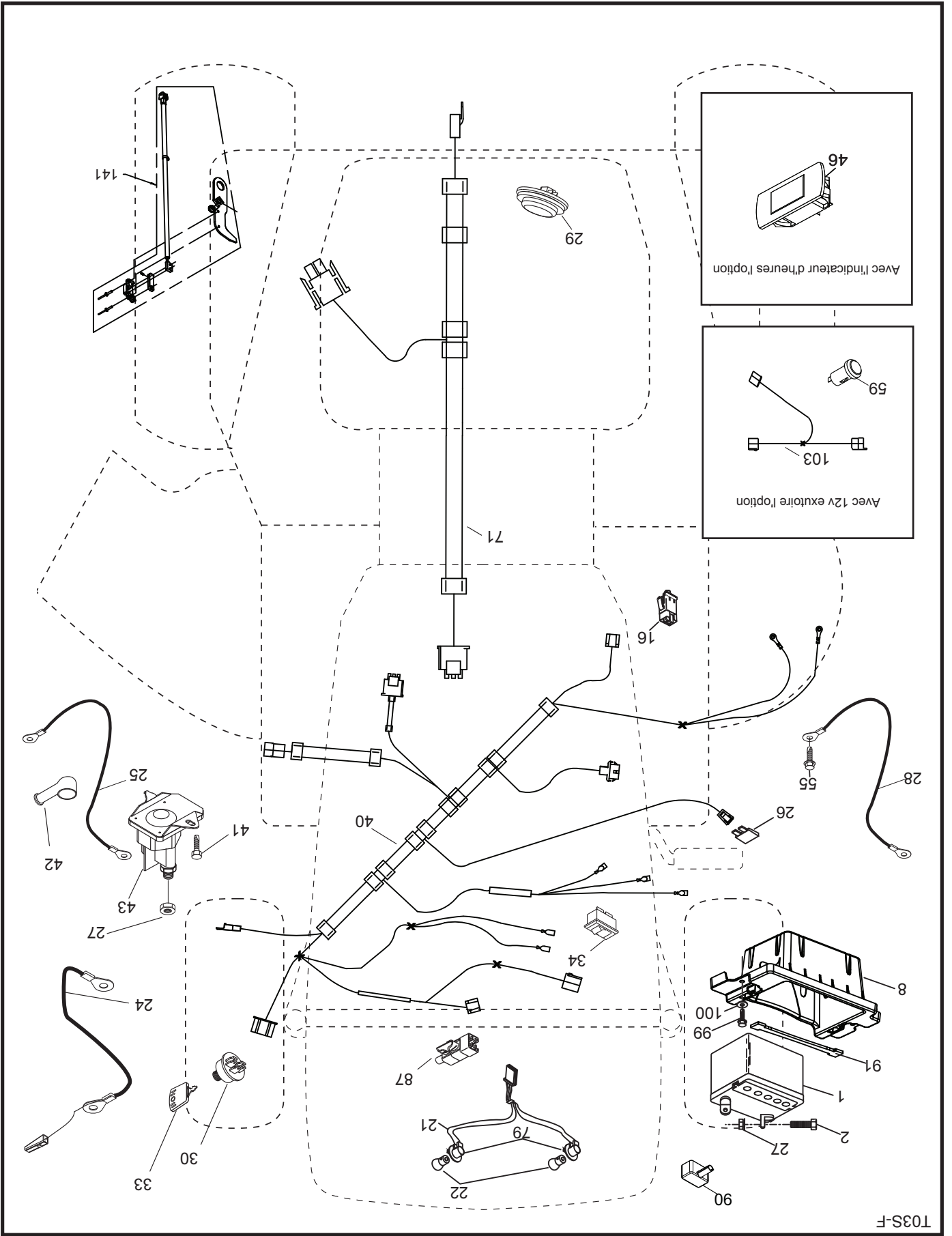
NO. DE RÉF. PIÈCE	DESCRIPTION
5	Tableau de bord
14	Capot
15	Objectif, Main gauche De Grill.
18	Grill
25	Objectif, Main droite De Grill
34	Plaque de moteur
36	Vis 5/16-18 x 3/4
37	Amortisseur
52	Ecroû auto-bloquant 5/16-18
58	Barre d'attelage supérieur
68	Vis 5/16-18 x 1/2
130	Vis #10 x 0.750
137	Capot De butoir
138	Support De Tasse
150	Capot De la Chaleur De Conduit
151	Pivot De Parenthèse
152	Bouclier de débris
159	Vis 3/8-16 x 3/4
161	Fenêtre de combustible
162	Vis H 1/4 x 1/2 unc
165	Soutien du support
175	Crossmember
176	Vis 10-24 x 5/8
177	Direction De Douille
180	Châssis
181	Douille
182	Le Tirer S'abaissent
186	Insérez Le Grill
189	Vis 5/16-18 x 3/4
191	Insert de lentille C.G.
194	Bride De Sortilège De Serrure D'Écroû 5/16-18
196	Assemblée D'Ascenseur De Plate-forme De Console
205	Jupe C.D.
206	Jupe C.G.
213	Boulon H HD 5/16-18 unc x 3/4
217	Tige
218	Coussin
228	Attache De Goujon
235	Pare-chocs plus spatial
236	De serrure de centre de noix 5/16-18 unc
287	Vis H 1/4-20 x 3/8

**Remarque:** Toutes les dimensions de composant sont données en pouces E.-U. --1 pouce = 25,4 mm



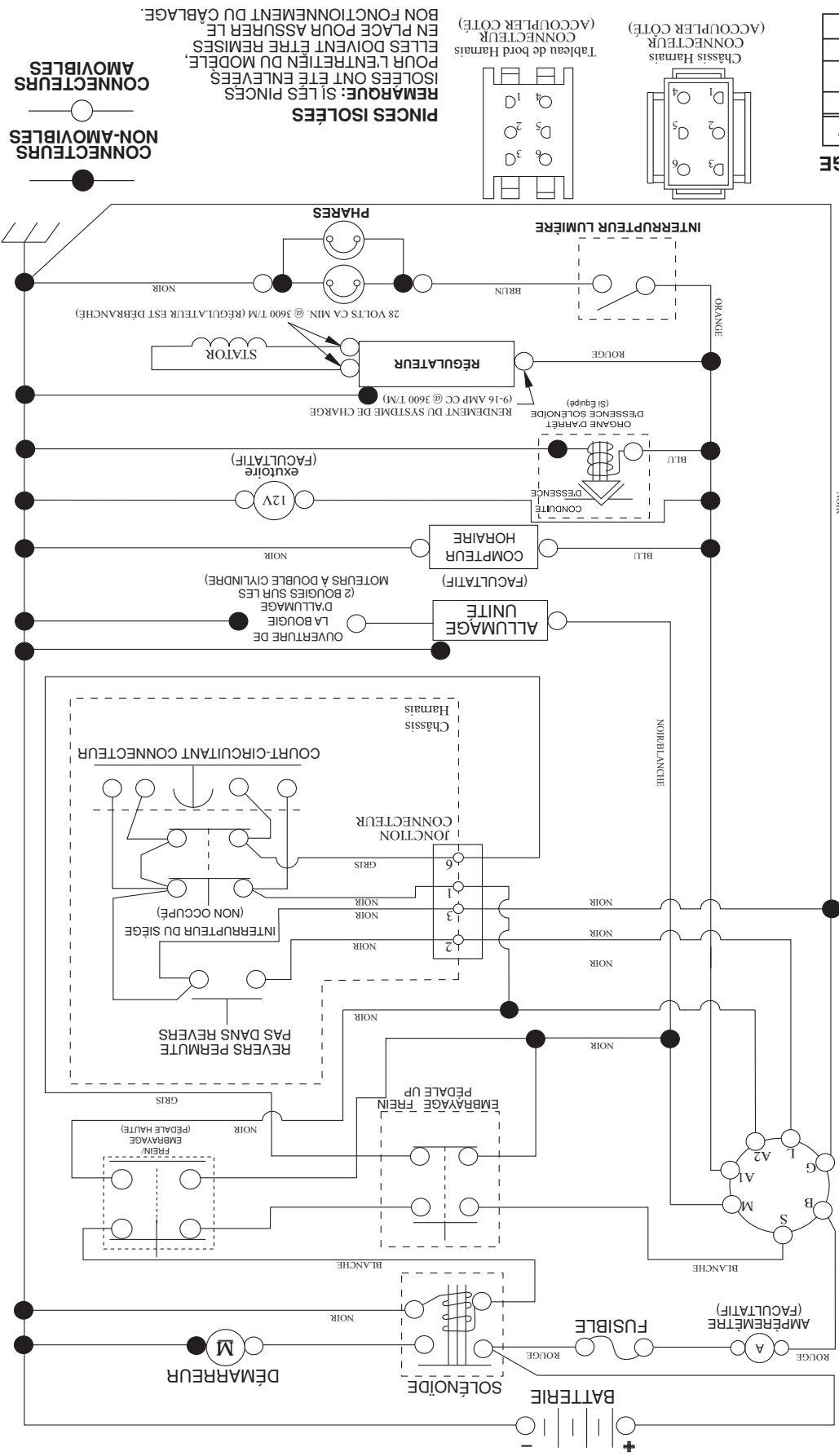
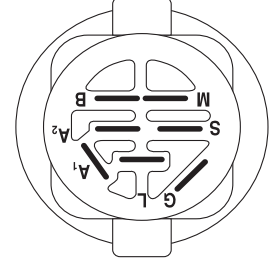
NO. DE DÉ	REF. PIÈCE	DESCRIPTION
1	163465	Batterie
2	74760412	Boulon H 1/4-20 unc x 3/4
8	186491	Bac de batterie
16	176138	Interrupteur de verrouillage pressé
21	183759	Harnais des prises de courant des phares
22	4152J	Ampoule N°1156
24	400253	Câble de batterie
25	412894	Câble
26	175158	Fusible
27	73510400	Écrou H 1/4-20 unc
28	145491	Câble de masse de 6 ja. de 21" - noir
29	401545	Interrupteur
30	193350	Contacteur d'allumage
33	411935	Clé/Chaîne
34	110712X	L'Interrupteur des phares
40	401098	Tiret D'Allumage De Harnais
41	17720408	Vis 1/4-20 x 1/2
42	131563	Couverture de borne
43	192507	Solénoïde
55	17060512	Vis 5/16-18 x 3/4
71	194276	Harnais des câbles d'allumage
79	175242	Assemblage de douille d'ampoule descendante - "Twistlock"
87	197802	Interrupteur de verrouillage de Câbler d'Embrayage
90	400724	Batterie De Borne De Couverture
91	190270	Attache batterie support avant
99	17670412	Vis H 1/4-20 x 3/4
100	19091416	Rondelle 9/32 x 7/8 x 16 Ga.
141	416977	Jeu T2 ROS

**Remarque:** Toutes les dimensions de composant sont données en pouces E.-U. -- 1 pouce = 25,4 mm



CONTACTEUR D'ALLUMAGE

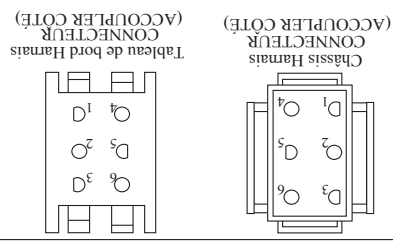
POSITION	CIRCUIT "FAITS"
ARRÊT	M + G + A1
MARCHE/ ALLUMAGE	B + A1
MARCHE	B + A1
DÉMARRAGE	B + S + A1



**PINCES ISOLÉES**  
REMARQUE: SI LES PINCES ISOLÉES ONT ÉTÉ ENLEVÉES POUR L'ENTRETIEN DU MODÈLE, ELLES DOIVENT ÊTRE REMISES EN PLACE POUR ASSURER LE BON FONCTIONNEMENT DU CÂBLAGE.

**CONNECTEURS AMOVIBLES**

**CONNECTEURS NON-AMOVIBLES**



# COMMENT UTILISER CE MANUEL

Ce manuel a été dessiné pour fournir le client avec les moyens d'identification des pièces de détachées du tracteur quand il/elle a besoin de commander les pièces de rechange. Les illustrations ne peuvent pas représenter exactement le modèle que vous avez acheté. N'utilisez pas ce manuel comme un guide dans le montage et/ou démontage de votre tracteur. La visserie montrée est plus grande pour faciliter l'identification.

Chaque tracteur a un numéro de modèle particulier.

Le numéro de modèle du produit se trouvera sur l'aile, dessous le siège.

Lorsque vous commandez des pièces de rechange, donnez toujours les renseignements suivants:

- Produit - "Tracteur"
- Numéro du Modèle - "A20K46YT/93603900 (96046000300)"
- Numéro de la Pièce
- Description de la Pièce

## TABLE DE MATIERES

SCHEMA.....	3
ELECTRIQUE.....	4-5
CHASSIS/ENCEINTES.....	6-7
ENTRAÎNEMENT.....	8-9
MOTEUR.....	10-11
ENSEMBLE DE LA DIRECTION.....	12-13
CARTER DE TONDEUSE.....	14-15
LEVIER DE LEVAGE DE LA TONDEUSE.....	16
ENSEMBLE DU SIÈGE.....	17
DECALCOMANIES.....	18
GARANTIE.....	20



---

**MANUEL DES PIÈCES DE REMPLACEMENT**  
**NO. DE MODÈLE A20K46YT/93603900(96046000300)**  
**Tracteur de Pelouse**

