



# HYDRO TRACTOR

## Parts Manual

---

**Models**  
93604200 42" Hydro Tractor



GB ENGLISH

431473 Rev. 4 02.01.10  
Printed in the U.S.A.

# HOW TO USE THIS MANUAL

This manual is designed to provide the customer with a means to identify the parts on his/her tractor when ordering repair parts. The illustrations may or may not represent the actual assemblies; therefore, it is not recommended to use this manual as a guide to assemble or disassemble the tractor. Some hardware and parts are drawn larger in order to more readily identify them.

Each tractor has its own model number.

The model number for your tractor can be found on the fender under the seat.

When ordering parts, always give the following information:

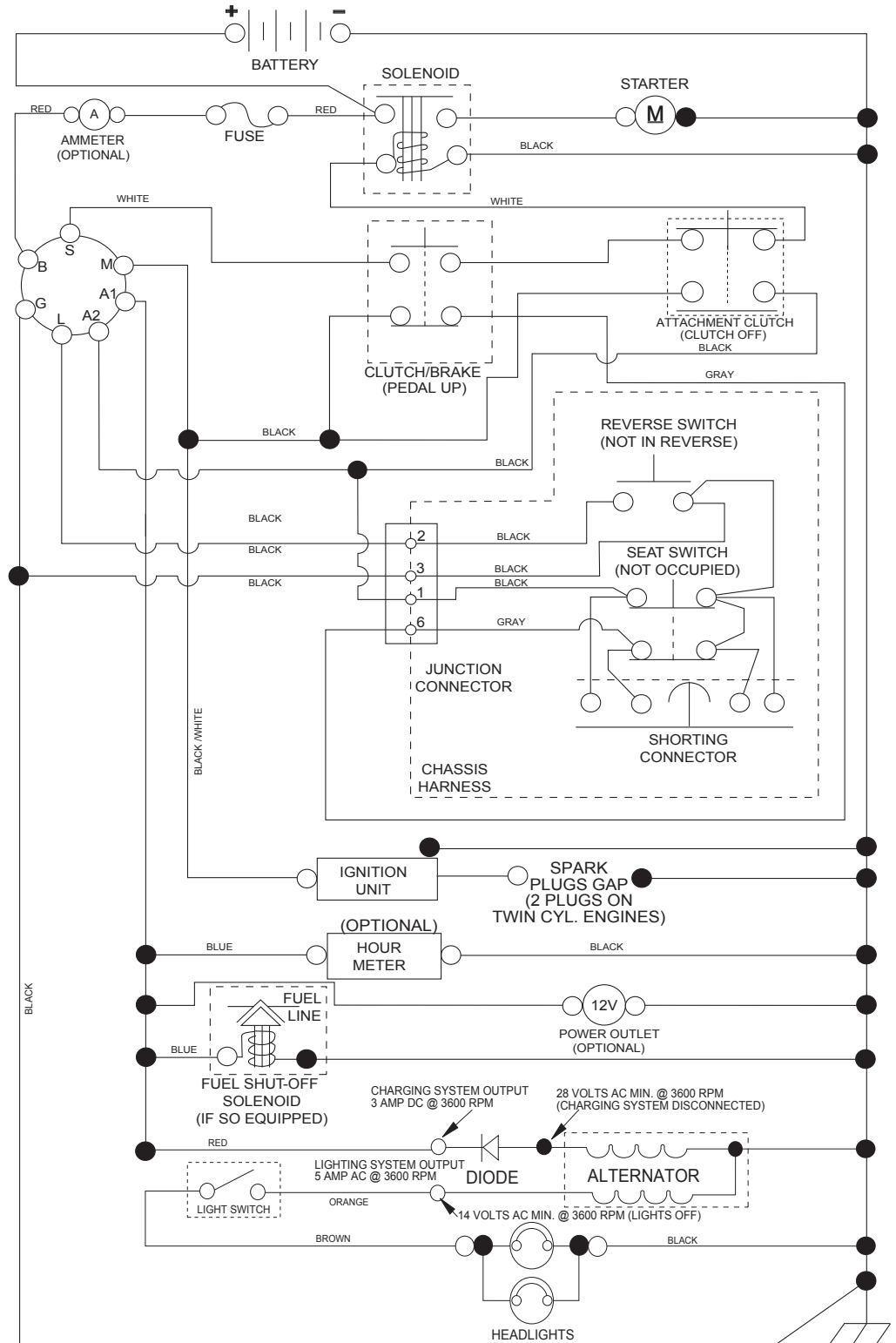
- Product - "Tractor"
- MODEL NUMBER - "93604200 / A20BH42 (96046001100)"
- Part Number
- Part Description

## TABLE OF CONTENTS

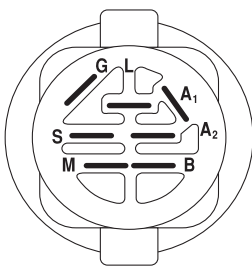
SCHEMATIC .....	3
ELECTRICAL.....	4-5
CHASSIS .....	6-7
DRIVE.....	8-9
ENGINE.....	10-11
STEERING .....	12-13
MOWER DECK .....	14-15
MOWER LIFT.....	16-17
SEAT .....	18-19
DECALS.....	20-21
WARRANTY.....	22-23
PARTS AND SERVICE .....	24

# TRACTOR - MODEL NO. 93604200 / A20BH42 (96046001100), PRODUCT NO. 960 46 00-11 SCHEMATIC

SCH11

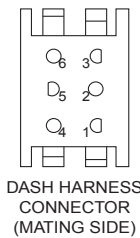
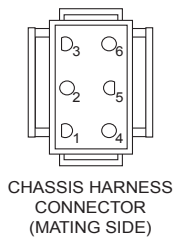


**NOTE**  
YOUR TRACTOR IS EQUIPPED WITH A SPECIAL ALTERNATOR SYSTEM. THE LIGHTS ARE NOT CONNECTED TO THE BATTERY, BUT HAVE THEIR OWN ELECTRICAL SOURCE. BECAUSE OF THIS, THE BRIGHTNESS OF THE LIGHTS WILL CHANGE WITH ENGINE SPEED. AT IDLE THE LIGHTS WILL DIM. AS THE ENGINE IS SPEEDED UP, THE LIGHTS WILL BECOME THEIR BRIGHTEST.

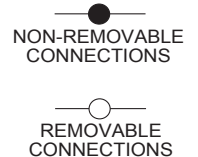


IGNITION SWITCH

POSITION	CIRCUIT	"MAKE"
OFF	M+G+A1	
RUN/OVERRIDE	B+A1	
RUN	B+A1	L+A2
START	B + S + A1	



WIRING INSULATED CLIPS  
NOTE: IF WIRING INSULATED CLIPS WERE REMOVED FOR SERVICING OF UNIT, THEY SHOULD BE RE-INSTALLED TO PROPERLY SECURE YOUR WIRING.



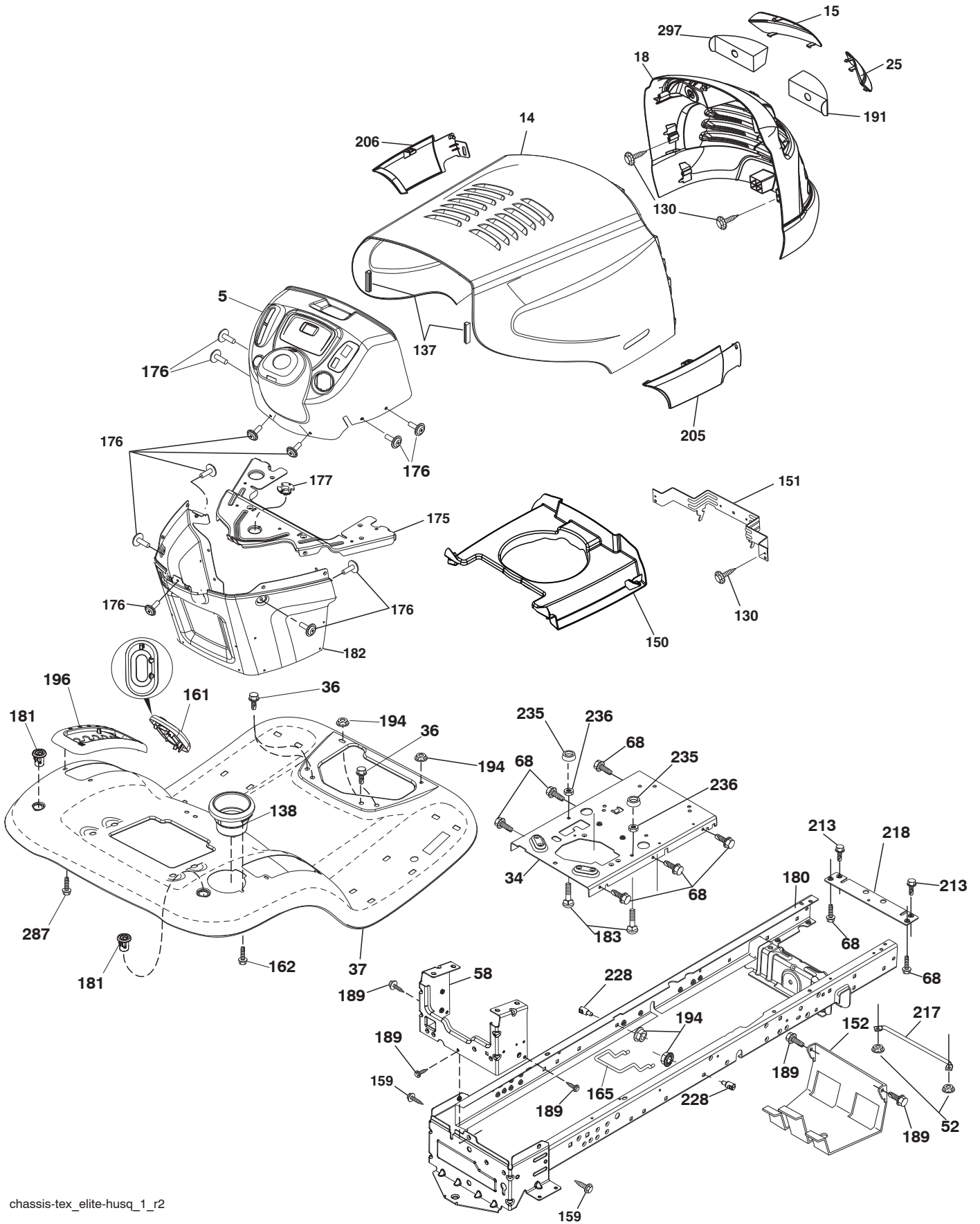


**TRACTOR - MODEL NO. 93604200 / A20BH42 (96046001100), PRODUCT NO. 960 46 00-11  
ELECTRICAL**

<b>ITEM NO.</b>	<b>MFG. NO.</b>	<b>ARIENS PART NO.</b>	<b>DESCRIPTION</b>
1	163465	21546162	BATTERY.12.VOLT.28.AMP.WET
2	74760412	21546803	BOLT HEX HD 1/4-20 UNC X 3/4
8	186491	21546233	BOX.BATTERY.MOUNT.FRONT.LT
16	176138	21546205	SWITCH.INTERLOCK.NONO.GRAY
21	183759	21546226	HARNESS ASM.LIGHT.22"(4152J)
22	4152J	21546673	BULB.LIGHT.#1156
24	400253	21546556	CABLE.BTRY.PSWRE.DSH SOL.8"TEX
25	412894	21546646	CABLE.STARTER.6GA.BL/RED.14.5"
26	175158	21546200	FUSE.20 AMP
27	73510400	21546779	NUT, KEPS HEX 1/4-20 UNC
28	145491	21546112	CABLE.GROUND.21"BLK.6 GA.90T
29	401545	21546574	SWITCH.SEAT.DELTA.OPC.9LB.
30	193350	21546319	SWITCH.IGN.DLTA.P-IN.ROS
33	411935	21546640	KEY/CHAIN.BLISTER PACK.GEN.CE
34	110712X	21546050	SWITCH.LIGHT/RESET.B/B/RED.
40	401098	21546568	HARNESS.IGN.DASH.CBL.YTGT.PRED
41	17720408	21546210	SCREW 1/4-20 X 1/2
42	131563	21546082	COVER.TERMINAL.RED
43	192507	21546294	SOLENOID.W/BRASS PLUNGER.2005
55	17060512	21546187	SCREW.5/16-18X3/4.SMGML.TAP/R
71	194276	21546323	HARNESS.IGN.CHASSIS.TEX
79	175242	21546201	SOCKET ASM.BULB.TWISTLOCK
87	197802	21546457	SWITCH.INTRLCK.CLUTCH.CABLE.TX
90	400724	21546559	COVER.TERMINAL.BATTERY.FR.TEX
91	190270	21546274	STRAP.BATTERY.MOUNT.FRONT
92	196615	21546412	HARNESS.PIGTAIL.CONSLE.ROS.MLK
93	192540	21546295	SCREW.PLASTITE.10-14 X 2.0
94	191834	21546849	MODULE.REVERSE.ROS
99	17670412	21546207	SCREW.HEXWSH.THDROL.1/4-20 X 3/4
100	19091416	21546277	WASHER.9/32 X 7/8 X 16GA.

**NOTE:** All component dimensions given in U.S. inches  
1 inch = 25.4 mm

**TRACTOR - MODEL NO. 93604200 / A20BH42 (96046001100), PRODUCT NO. 960 46 00-11  
CHASSIS**



chassis-tex\_elite-husq\_1\_r2

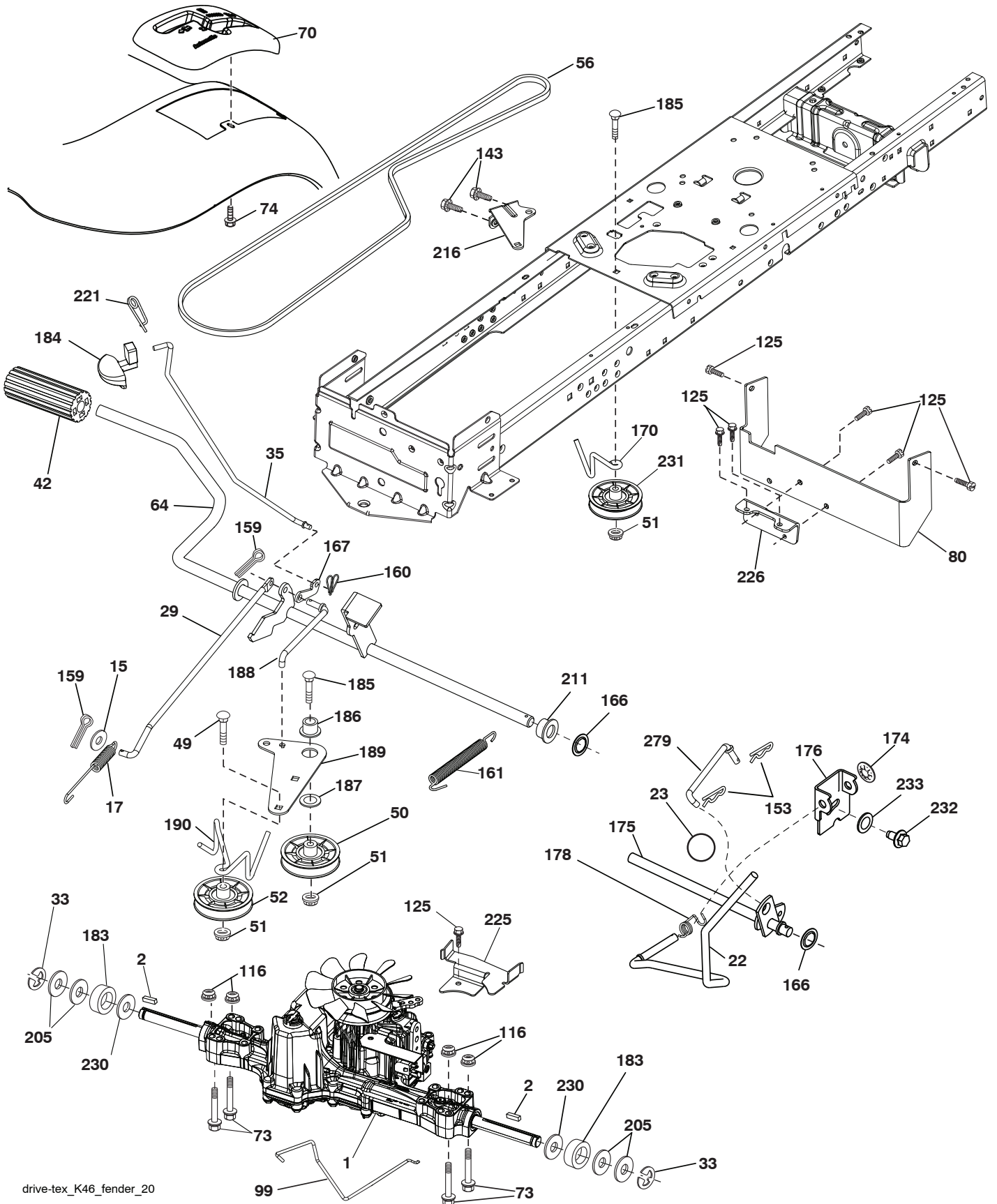
**TRACTOR - MODEL NO. 93604200 / A20BH42 (96046001100), PRODUCT NO. 960 46 00-11  
CHASSIS**

<b>ITEM NO.</b>	<b>MFG. NO.</b>	<b>ARIENS PART NO.</b>	<b>DESCRIPTION</b>
5	197783X428	21546456	DASH.P/L TEX.CBL CL.N/CHK.428
14	425404X422	21546867	HOOD
15	188264X599	21546261	LENS.ELITE-HUSQ.CLEAR.LH
18	423179	21546708	GRILLE.ELITE.ARIENS.BLACK
25	188263X599	21546260	LENS.ELITE-HUSQ.CLEAR.RH
34	196125	21546384	PLATE.ENGINE.WELDED.CHASSIS
36	17060512	21546187	SCREW.5/16-18 X 3/4.SMGML.TAP/R
37	414870X422		FENDER.TLT.W/CPH.W/FW.422
52	73680500	21546784	NUT, HEX, CROWNLOCK 5/16-18
58	412280	21546643	DRAWBAR.UPPER.2PC.SML.FENDER
68	17490508	21546199	SCREW.THDR.5/16-18 X 1/2TYTT
130	416358	21546675	SCREW
137	184921	21546230	BUMPER.HOOD.LARGE. 1.75"
138	193224X428	21546311	CUPHOLDER.TL.TEX.428
150	184322		AIR DUCT.ENGINE.ELITE-SV
151	407807	21546626	BRACKET.PIVOT.LASR/ELTE/HUSQLT
152	199535	21546501	SHIELD.BROWNING.W/TEX
159	17000612	21546181	SCREW.HEXWSH THDR3/8-16 X 3/4.BL
161	193229X428	21546316	WINDOW.FUEL.LT.TEX.428
162	142432	21546106	SCREW.HEX.WSH.HI-LO.1/4X1/2 UNC
165	196826	21546413	SUPPORT.TANK.REAR.W/TEX
175	193243	21546317	CROSSMEMBER.LT
176	400776	21546562	SCREW.#10-24 X 5/8.RND.QUDRX.GIM
177	195228	21546357	BUSHING.STEERING.LT
180	415063	21546670	CHASS.WLDMT.TL.12GA/2PC.18/22"
181	193102X428	21546304	BUSHING.MNT.FEND.CRGO.BLK.TEX
182	193057	21546302	DASH LOWER.LT.CCS
183	74520520		BOLT.FIN.HEX.5/16-18 UNC X1-1/4
189	17000512	21546180	SCREW.5/16-18X3/4.SMGML.TAP/BL
191	416500	21546678	INSERT.REFLECTIVE.RH
194	73900500	21546789	NUT, LOCK HEX FLANGE 5/16-18 UNC
196	414579	21546663	CONSOLE ASM.DECKLFT.BL/RBT.TLT
205	188265X428	21546262	SKIRT.SIDE.RH.ELITE HUSQ.428
206	188266X428	21546263	SKIRT.SIDE.LH.ELITE HUSQ.428
213	74760512	21546804	BOLT, HEX HEAD 5/16-18 X 3/4
217	409167	21546636	ROD.PIVOT.HOOD
218	196395	21546400	X-PIECE.HOOD.STOPNON/STEALTH
228	195161	21546343	STUD.FASTNER.W/D'ANTI-ROTATIO
235	406129	21546619	SPACER.FENDER
236	73930500	21546793	NUT.CENTER LOCK.5/16-18 UNC
287	17600406	21546204	SCREW.HEX.WASHEAD.1/4-20 X 3/8
297	188267	21546264	INSERT.LENS.RFLCT.ELT-HUSQ.

**NOTE:** All component dimensions given in U.S. inches  
1 inch = 25.4 mm



TRACTOR - MODEL NO. 93604200 / A20BH42 (96046001100), PRODUCT NO. 960 46 00-11  
DRIVE



drive-tex\_K46\_fender\_20

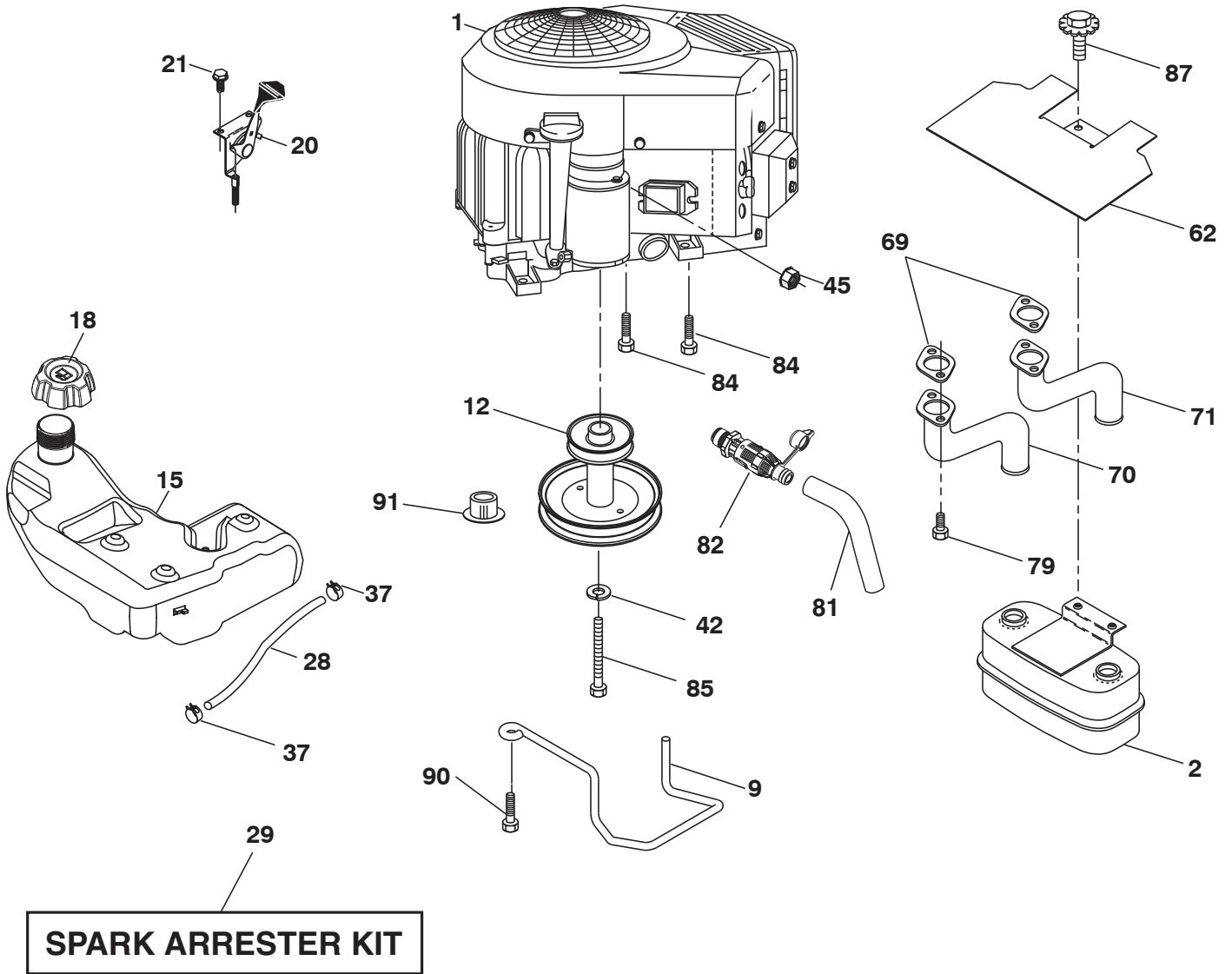


**TRACTOR - MODEL NO. 93604200 / A20BH42 (96046001100), PRODUCT NO. 960 46 00-11  
DRIVE**

ITEM NO.	MFG. NO.	ARIENS PART NO.	DESCRIPTION
1	-----	-----	TRANSAXLE, TUFFTORQ K46AW
2	123583X	21546070	KEY.SQUARE.2.0 X .1845/.1865
15	19131316	21546284	WASHER.13/32 X 13/16 X 16 GA.
17	413678	21546654	SPRING.BRAKE.K46.GREEN
22	197660	21546450	ROD.SHIFT.FENDER.TLT.2006
23	140845		KNOB DELUXE 1/2-13 UNC
29	403806	21546593	ROD.BRAKE.K46
33	12000001	21546051	E-RING.#5133-75
35	197722	21546453	ROD.BRAKE.PARKING.LT.TEX
42	8883R	21546831	COVER.PEDAL.BLK.ROUND
49	72110614	21546766	BOLT.RDHD.3/8-16 UNC X 1-3/4.GR5
50	194327	21546331	IDLER.FLAT.910"OFFSET
51	73900600	21546790	NUT, HEX, FLANGELOCK 3/8-16
52	194326	21546330	IDLER.V-GROOVE.910"OFFSET
56	130969	21546080	V-BELT.MOWER.92.40.42/K46
64	196200	21546387	SHAFT ASM.PEDAL.BRAKE CONTROL
70	193220X428	21546310	CONSOLE.SHIFT.STL.HYD.BLACK.TX
73	74490544	21546798	BOLT.HEX.FLGHD.5/16-18.GR.5
74	142432	21546106	SCREW.HEX.WSH.HI-LO.1/4X1/2UNC
80	410024	21546637	STRAP.TORQUE.K46/18"TEX
99	415742	21546674	ROD.SPRING.BYPASS.K46.LT.Z
116	73900500	21546789	NUT, LOCK HEX FLANGE 5/16-18 UNC
125	17000512	21546180	SCREW.5/16-18 X 3/4.SMGML.TAP/BL
143	17490508	21546199	SCREW.THDROL.5/16-18 X 1/2TYTT
153	4497H	21546739	RETAINER SPRING
159	76020412	21546820	PIN.COTTER.1/8 X 3/4.CAD.
160	169484	21546178	RETAINER.CLIP(M).DIA.290
161	105709X	21546028	SPRING.RETURN.CLUTCH.6.75
166	428305		NUT PUSH .625
167	405257	21546608	LATCH.BRAKE.PARKING
170	413430	21546648	KEEPER.CENTER SPAN.1.688
174	197289	21546431	NUT.PUSH..500
175	408539	21546634	SHAFT ASM SHIFT
176	196214	21546394	ARM.CLEVIS.ROD.SHIFT
178	197456	21546445	SPRING.SHIFT.GT.2006
183	137057	21546087	SPACER.AXLE.HYDRO/PEERLES
184	198403X505	21546477	HANDLE.PARKING BRAKE.LTTEX.505
185	72110622	21546768	BOLT.RDHD.3/8-16 UNC X 2-3/4 GR5
186	194321	21546328	SPACER.RETAINER
187	19133210	21546287	WASHER.13/32 X 2 X 10 GA.
188	194323	21546329	LINK.CLUTCH.GROUND DRIVE
189	194317	21546324	BELLCRANK.GROUNDRIE.NSTG/NSTL
190	194318	21546325	KEEPER.BELLCRANK.DRIVE.GROUND
205	121748X	21546066	WASHER.25/32 X 1-5/8 X 16 GA.
211	196212	21546393	BUSHING.SHAFT.BRAKE.HAND CONTR
216	196131	21546385	BRACKET.PULLEY.IDLER.WTEX
221	403187	21546588	RETAINER.SPRING.CLIPHANDLE
225	403319	21546589	KEEPER.BELT.TRANSAXLE.K46
226	401564	21546575	BRACKET.MOUNT.TORQUE.K46.TLT
230	188967	21546272	WASHER.HARDEN..793 X 1.637 X 060
231	407287	21546622	IDLER.V-GROOVE.1.688"OFFSET
232	74780716	21546818	BOLT.FIN HEX.7/16-14X1 GR5
233	405296	21546609	WASHER.SERRATED
279	413150		LINK SHIFT T/A

**NOTE:** All component dimensions given in U.S. inches  
1 inch = 25.4 mm

TRACTOR - MODEL NO. 93604200 / A20BH42 (96046001100), PRODUCT NO. 960 46 00-11  
ENGINE



engine-tex\_bs-2cyl\_51\_r1

**TRACTOR - MODEL NO. 93604200 / A20BH42 (96046001100), PRODUCT NO. 960 46 00-11  
ENGINE**

ITEM NO.	MFG. NO.	ARIENS PART NO.	DESCRIPTION
1	-----	-----	ENGINE BRIGGS MODEL NO. 406777-0442-B1
2	149723		MUFFLER
9	194320	21546327	KEEPER.BELT.ENGINE.4.25"NSTG
12	405471	21547006	PULLEY ENGINE
15	400021	21546553	TANK.FUEL.SIDE-FILL.3.00 GA.
18	430218		CAP FUEL
20	421473X428		CONTROL.TH/CK.
21	416358	21546675	SCREW
28	401135	21546570	LINE.FUEL.64"REAR.EMIS.CA.LP
29	137180	21546090	KIT.SPARK ARRESTOR(392390 B&S)
37	123487X	21546069	CLAMP.HOSE.BLK.
42	10040700	21546004	WASHER.LOCK.HVY HLCL.SPR.7/16
45	73510400	21546779	NUT, KEPS HEX 1/4-20 UNC
62	146629	21546113	SHIELD.HEAT.MUFFLER.CV-INTEK
69	165391		GASKET MUFFLER
70	159955		EXHAUST TUBE LH
71	160589		EXHAUST TUBE RH
79	183906		SCREW SOCKET HEAD 5/16-18 X 1
81	148456	21546117	TUBE.DRAIN.OIL.EASY
82	428287		VALVE OIL DRAIN
84	17060620		SCREW 3/8-16 X 1-1/4
85	173937	21546191	BOLT.HEX.7/16-20 X 4 X GR. 5-1.5THR.
87	171877	21546190	BOLT.5/16-18 UNC X 3/4 W/SEMS.BLK
90	17000616	21546182	SCREW.3/8-16X1.SMGML.TAP/R.BLK
91	187495	21546246	BUSHING.1.375OD.HEYCO 2210

**NOTE:** All component dimensions given in U.S. inches  
1 inch = 25.4 mm

For engine service and replacement parts, call the toll free number for your engine manufacturer listed below:

Briggs & Stratton                      1-800-233-3723

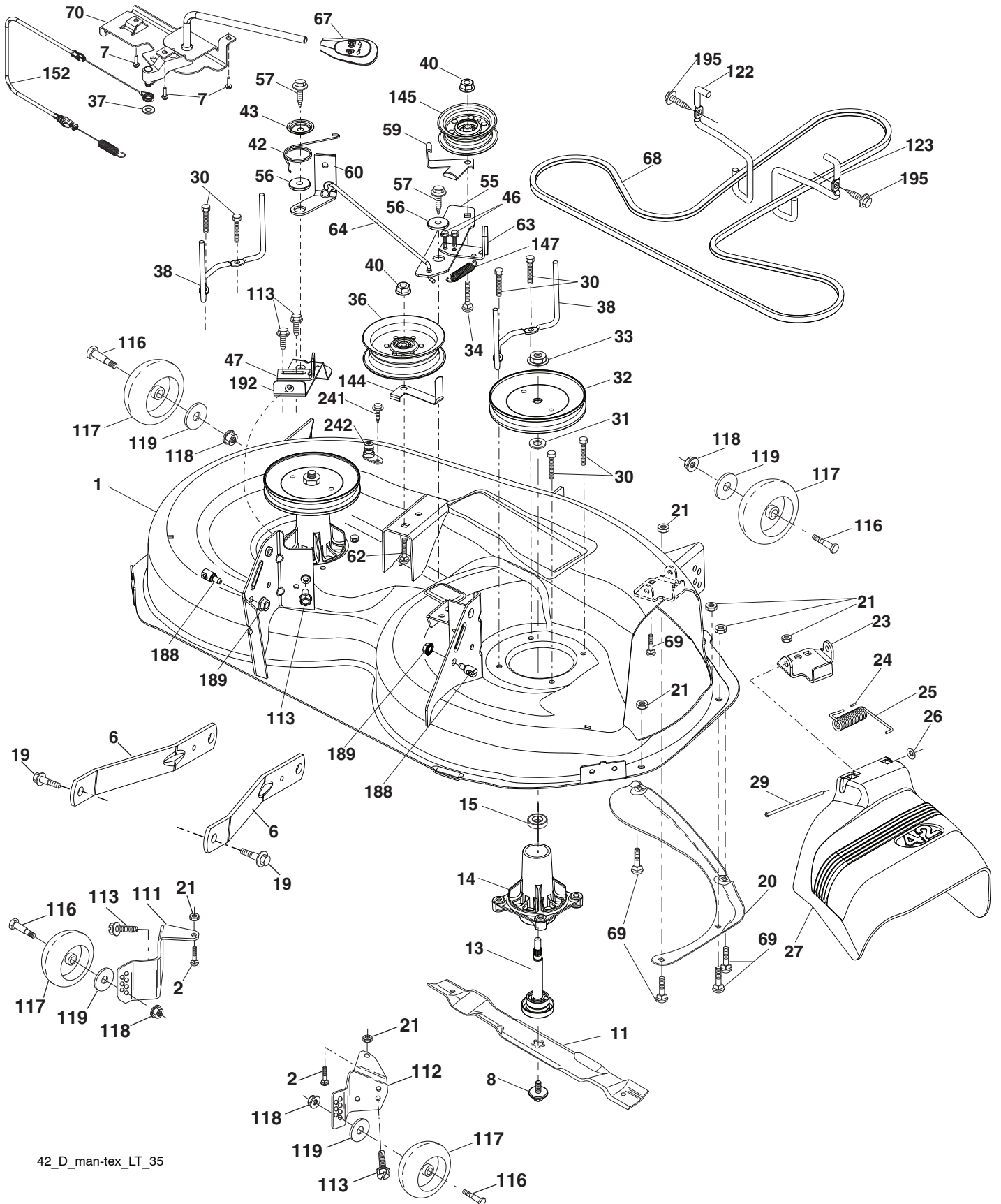


**TRACTOR - MODEL NO. 93604200 / A20BH42 (96046001100), PRODUCT NO. 960 46 00-11  
STEERING ASSEMBLY**

<b>ITEM NO.</b>	<b>MFG. NO.</b>	<b>ARIENS PART NO.</b>	<b>DESCRIPTION</b>
1	414851X428		WHEEL STEERING
2	418168	21546681	AXLE ASM.WELDED
4	403087	21546582	SPINDLE.WELDED.LH.15"TEX
5	403088	21546583	SPINDLE.WELDED.RH.15"TEX
6	6266H	21546750	WASHER.THRUST..75 X 1.230
7	121748X	21546066	WASHER.25/32 X 1 1/8 X 16GA.
8	12000029	21546053	RING.KLIP.#T5304-75
9	121232X	21546064	CAP.SPINDLE.FR.TOP.BLK.
13	121749X	21546067	WASHER.25/32 X 1 1/4 X 16 GA.
14	10040600	21546003	WASHER, LOCK 3/8
15	73540600	21546782	NUT.CROWNLOCK.3/8-24
16	429374		SHAFT STEERING
19	194729	21546334	PLATE.STEER.DDL.NLT/NGT
20	198375X428	21546475	BOOT.STEERING.LT.TEX P/L.428
21	186737	21546234	ADAPTER.WHEEL.STRG..760
22	420537	21547007	STEERING SUPT. LOWER
26	414854X428	21546665	CAP.WHL.STRG.HRS/SRS.BLACK
28	17000612	21546181	SCREW.HEXWSH THDR 3/8-16 X 3/4.BL
33	10040500	21546002	WASHER, LOCK 5/16
35	194732	21546335	GEAR SECTOR.PLATE.DDL.NLT/NGT
45	19113812	21546280	WASHER.11/32ID X2 3/8OD X 12GA
51	73940800	21546795	NUT.HEX.JAM.TOPLOCK.1/2-20 UNF
53	188967	21546272	WASHER.HARDEN..793 X 1.637 X 060
57	407465	21546623	BRACKET.UPSTOP.TEX
58	194747	21546339	BOLT.SHOULDER.SECTOR.PIVOT.CFM
59	194748	21546340	WASHER.THRUST.SECTOR.STEER.NLT
60	73971000	21546797	NUT.FLANGE LOCK.5/8-11
61	194740	21546337	DRAGLINK.LH.BALLSTUD.DDL.
62	194741	21546338	DRAGLINK.RH.BALLSTUD.DDL
63	17000512	21546180	SCREW.5/16-18X3/4. SMGML.TAP/BL
64	199849	21546512	RETAINER.CLIP.SPRING.STEERING
66	71020748	21546754	BOLT.HEX.FGHD.7/16-14 X 3.SERR
67	194737	21546336	BUSHING.PM.FRONT AXLE
68	73900700	21546791	NUT.LOCK.FLANGE.7/16-14.GR5
69	199162	21546483	WASHER.1.5 X .505 X .118
70	196197	21546386	BRACKET.DECK.SUSPENSION.FRONT
71	190752		SHAFT EXTENSION STEERING
72	428982		BOLT FIN HEX 5/16-18 X 4 W/PATCH
74	3366R	21546550	BEARING.COL.STRG.BLK.

**NOTE:** All component dimensions given in U.S. inches  
1 inch = 25.4 mm

**TRACTOR - MODEL NO. 93604200 / A20BH42 (96046001100), PRODUCT NO. 960 46 00-11  
MOWER DECK**



42\_D\_man-tex\_LT\_35

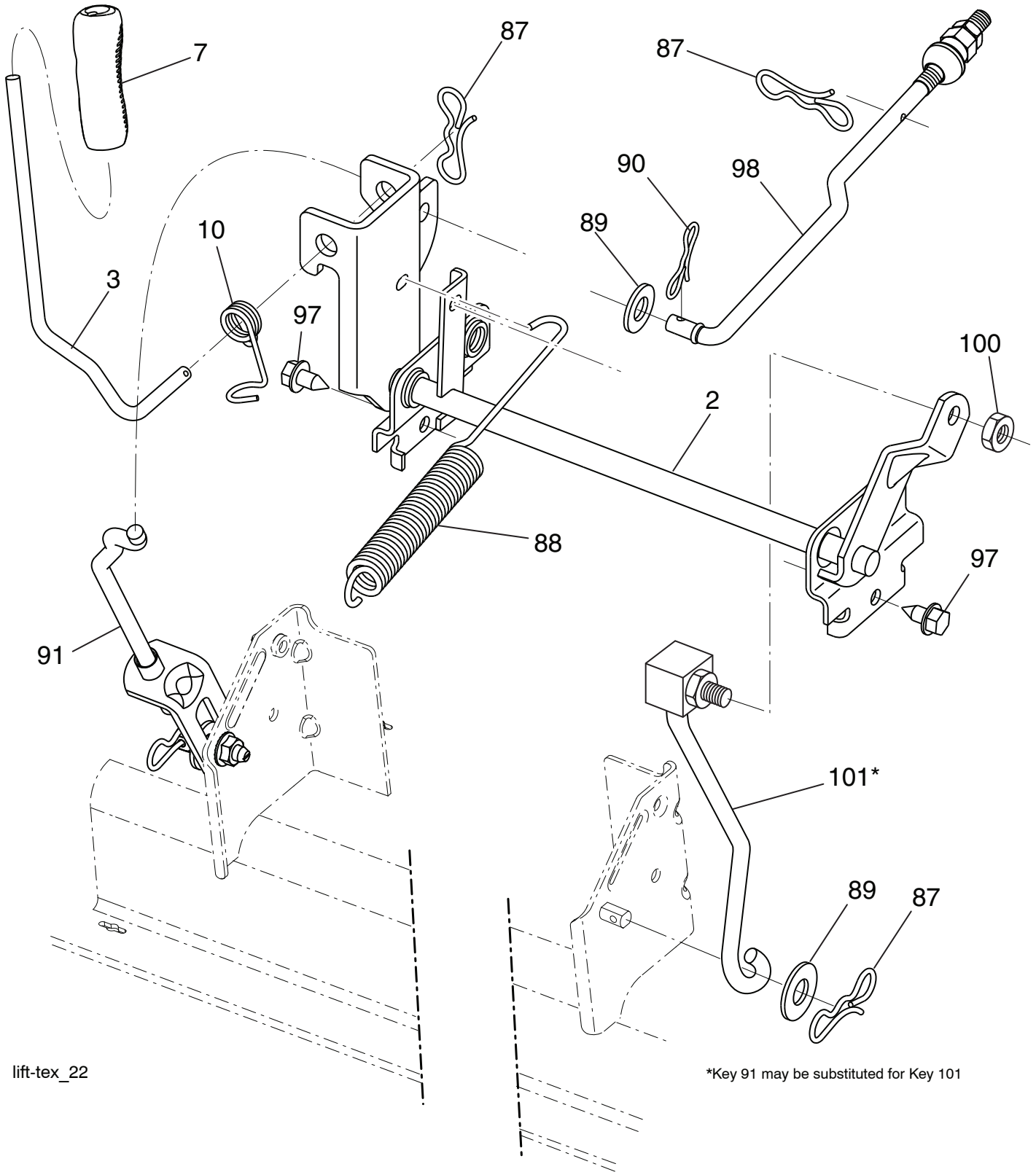
**TRACTOR - MODEL NO. 93604200 / A20BH42 (96046001 100), PRODUCT NO. 960 46 00-11  
MOWER DECK**

ITEM NO.	MFG. NO.	ARIENS PART NO.	DESCRIPTION	ITEM NO.	MFG. NO.	ARIENS PART NO.	DESCRIPTION
1	196495X422		MOWER HOUSING	57	17000616	21546182	SCREW.3/8-16X1.SMGML. TAP/R.BLK
2	72140506		BOLT 5/16-18 UNC X 3/4	59	141043	21546103	GUARD.TUV.IDLER
6	195186	21546347	ARM.SUSPENSION.	60	197261	21546429	ARM.BRAKE.MOWER.42"
7	416358	21546675	MOWER.REAR.LD	62	72110616	21546767	BOLT.RD.HD.SQ.NK.3/8- 16UNC X 2
8	193003	21546301	SCREW	63	199477	21546499	ARM.BRAKE.MOWER
			BOLT/WASHER	64	199918		LINKAGE BRAKE
			ASM.7/16-20.UNF	67	198398X428	21546476	HANDLE.CLUTCH.CABLE. LT TEX.428
11	138971	21546095	BLADE.MOWER.42"HI LIFT PREMIUM	68	429636		V-BELT
--	424752		BLADE 3 N 1	69	72140505	21546770	BOLT.RDHD.SQNK.5/16-18 X 5/8
--	422719		BLADE 3 N 1 PREMIUM	70	198332	21546474	CLUTCH ASM.MANUAL. LT.TEX
--	134149		BLADE MULCHING STANDARD	111	404784		BRACKETWHEELGAUGELH
--	139775		BLADE MULCHING PREMIUM	112	404785		BRACKETWHEELGAUGERH
13	192872	21546300	SHAFT ASM.MNDRL.N/ GREASEABLE38	113	17000510	21546179	BOLT.5/16-18 HEX.WHS. HD.LCKSERR
14	187281	21546238	HOUSING.MANDREL.4PT. SERVICE	116	4898H	21546741	BOLT.SHLD."A"2.41."B"1.66
15	110485X	21546046	BEARING.BALL.MANDREL	117	188606	21546267	WHEEL.GAGE.HALF. SPOKED
19	196539	21546411	BOLT.SHOULDER	118	73930600	21546794	NUT.CENTERLOCK.3/8-16 UNC.
20	159770	21546144	BAFFLE.VORTEX.42.STD/ HEAVY DTY	119	19121414	21546281	WASHER 3/8 X 7/8 X 14 GA.
21	73680500	21546784	NUT, HEX, CROWNLOCK 5/16-18	122	197258	21546424	KEEPER.BELT.ENGINE. LH.LT.TEX
23	192557	21546296	BRACKET. DEFLECTOR.38/42"2005	123	197259	21546426	KEEPER.BELT.ENGINE. RH.LT.TEX
24	105304X	21546025	CAPSLEEVE..80 X.112.BLK. MOWER	144	199204	21546489	KEEPER.BELT.MOWER
25	197026	21546416	SPRING.TORSION. DFL.38/42/46.GR	145	193197	21546308	PULLEY IDLER
26	110452X	21546045	NUT.PUSH.PHOS.& OIL	147	401971	21546577	SPRING.RETURN. DECK.38/46"
27	193108X428	21546305	SHIELD.DEFLECTOR. MOWER 42"BLK	152	408714	21546635	CABLE.CLUTCH. MANUAL.W/SPR.
29	131491	21546081	ROD.HINGE.42/46"	188	195161	21546343	STUD.FASTNER.W/D'ANTI- ROTATIO
30	173984	21546192	SCREW.THDR.ROLL.DOD PT.HEX	189	73900500	21546789	NUT, LOCK HEX FLANGE 5/16-18 UNC
31	187690	21546253	WASHER.SPACER. MANDREL	192	197260	21546428	BRACKET.BRAKE.STAND.LH
32	197473	21546446	PULLEY.MANDREL.5.438 PD.42"	195	17000612	21546181	SCREW.HEXWSH THDR 3/8-16 X 3/4.BL
33	400234	21546554	NUT.FLANGE.LOCK.TOP	241	152927		SCREW
34	72110612	21546765	BOLT.CARR.SH.3/8-16 X 1-1/2.GR5	242	415598		PORT WASHOUT
36	197379	21546440	PULLEY.IDLER.4.50.RAW	--	192870	21546299	MANDRELASSEMBLY (INCL- UDES HOUSING, SHAFT ASSEMBLY, AND BEARING ONLY - PULLEY/NUT/WASH- ER AND BLADE BOLT/WAS- HERS NOT INCLUDED)
37	19131316	21546284	WASHER.13/32 X 13/16 X 16 GA.	--	431481		DECK.SVC.46"HP. CC.4GWB.TEX.422
38	199189	21546487	KEEPER.BELT. LH.MANDREL.42/46"				
40	73900600	21546790	NUT, HEX, FLANGELOCK 3/8-16				
42	198410	21546478	SPRING.TORSION.BRAKE				
43	197256	21546423	SPRING.TORSION. RETAINER				
46	137729	21546091	SCREW.THDR.ROLL.1/4-20 X 5/8				
47	197250	21546421	BRACKET.CLUTCH.CABLE				
55	197249	21546419	IDLER.ARM				
56	199092	21546482	SPACER.RETAINER				

**NOTE:** All component dimensions given in U.S. inches  
1 inch = 25.4 mm



TRACTOR - MODEL NO. 93604200 / A20BH42 (96046001100), PRODUCT NO. 960 46 00-11  
MOWER LIFT



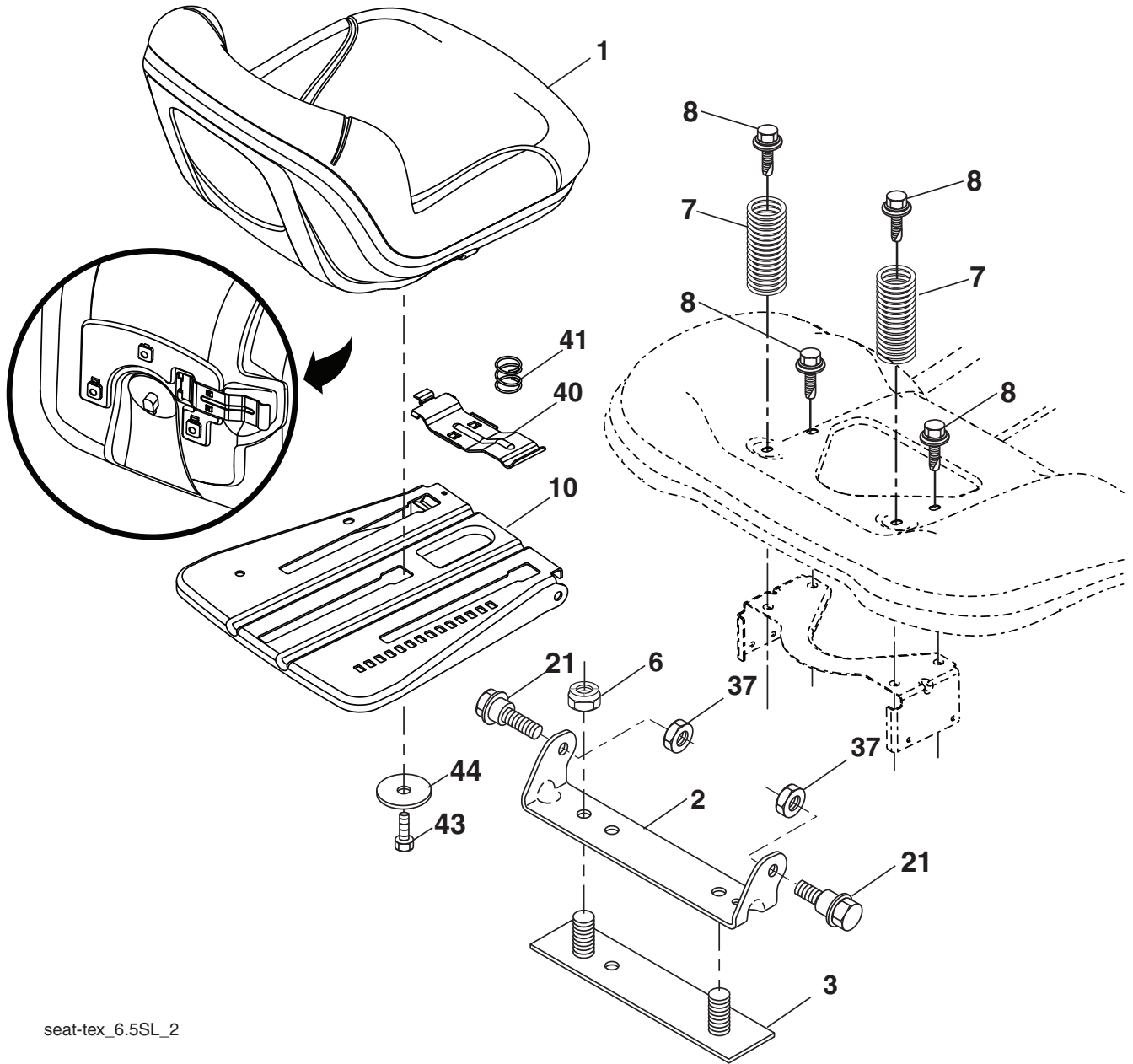
lift-tex\_22

**TRACTOR - MODEL NO. 93604200 / A20BH42 (96046001100), PRODUCT NO. 960 46 00-11  
MOWER LIFT**

<b>ITEM NO.</b>	<b>MFG. NO.</b>	<b>ARIENS PART NO.</b>	<b>DESCRIPTION</b>
2	422027	21547008	SHAFT ASM., LIFT
3	195231	21546358	LEVER.LIFT.HANDLE.LT
7	196492X428	21546408	GRIPLEVER..5625 LD.BLACK 428
10	196314	21546397	SPRING.TORSION.HANDLE.LIFT
87	194209	21546322	PIN.COTTER.7/16.BOW TIE LOCK
88	410710	21546638	SPRING.LIFT ASSIST
89	19191912	21546292	WASHER.CLEAR ZINC
90	194208	21546321	PIN.COTTER.5/16.BOW TIE LOCK
91	195181	21546344	LINK ASM.LIFT.LH.REAR
97	17000612	21546181	SCREW.HEXWSH THDR3/8-16 X 3/4.BL
98	195270	21546360	LINK ASM.SUSP.FRONT.MWR.11
100	73930600	21546794	NUT.CENTERLOCK.3/8-16 UNC
101	407003	21546620	LINK ASM.LIFT.FIXED.38/42/46"

**NOTE:** All component dimensions given in U.S. inches  
1 inch = 25.4 mm

TRACTOR - MODEL NO. 93604200 / A20BH42 (96046001100), PRODUCT NO. 960 46 00-11  
SEAT ASSEMBLY



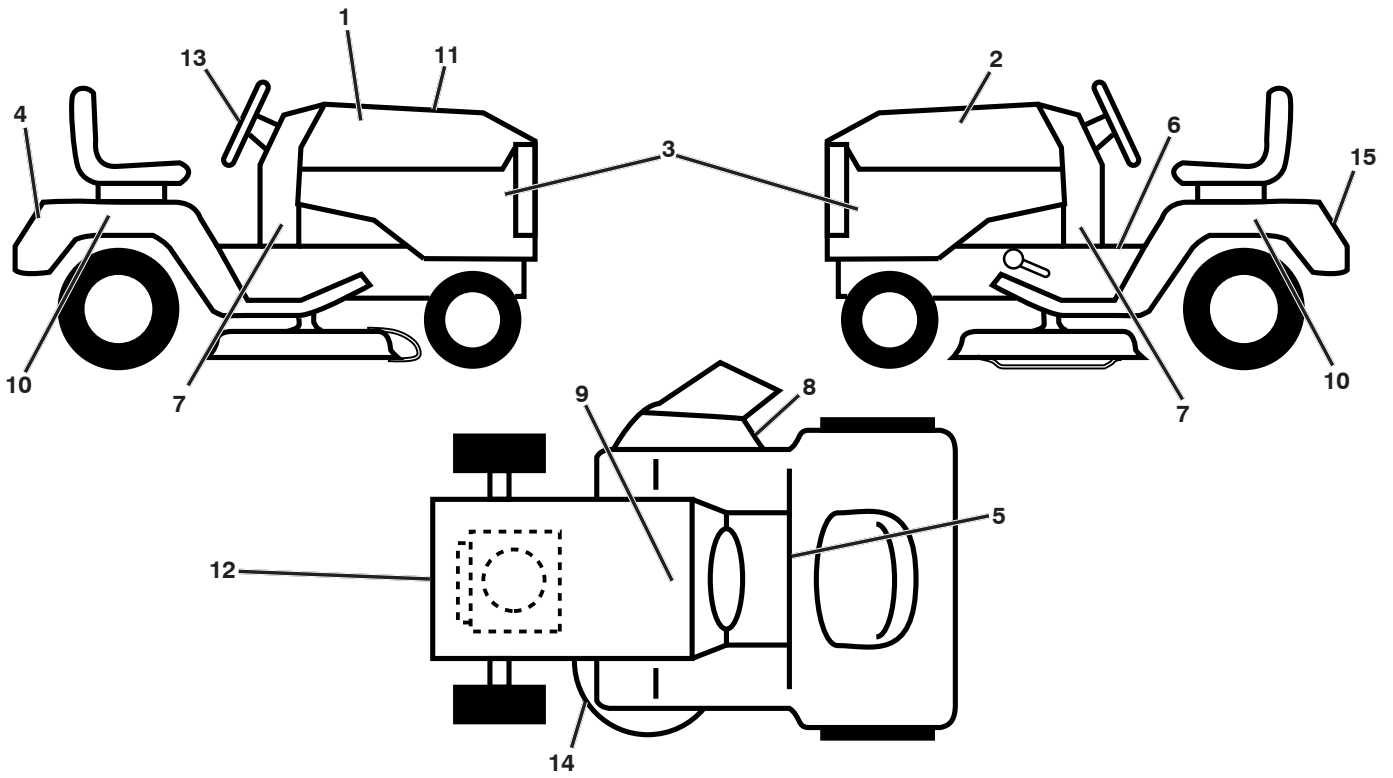
seat-tex\_6.5SL\_2

**TRACTOR - MODEL NO. 93604200 / A20BH42 (96046001100), PRODUCT NO. 960 46 00-11  
SEAT ASSEMBLY**

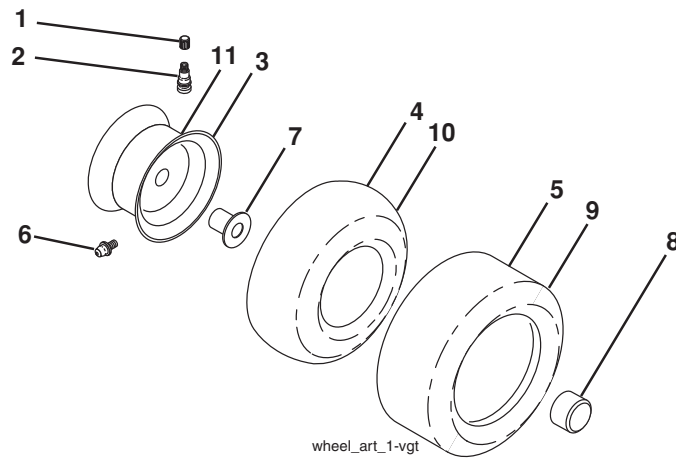
<b>ITEM NO.</b>	<b>MFG. NO.</b>	<b>ARIENS PART NO.</b>	<b>DESCRIPTION</b>
1	423010	21546703	SEAT.TA150.KB/SLD.BLK.ARIENS
2	180166	21546216	BRACKET.PIVOT.FENDER.2002
3	140675	21546101	STRAP ASM.FENDER.94
6	73800600	21546787	LOCKNUT, WASHER INSERT 3/8-16
7	124181X	21546074	SPRING.SEAT.CPRSN.2.250.BLK.ZI
8	171877	21546190	BOLT.5/16-18 UNC X 3/4 W/SEMS.BLK
10	196977	21546414	PAN ASM.SEAT.3PT.
21	171852	21546189	BOLT.SHLD.5/16-18 UNC-2A.BLK D
37	73800500	21546786	LOCKNUT, WASHER INSERT 5/16-18
40	197661	21546451	HANDLE.SLIDE.SEAT.TEX.MILSCO
41	198200	21546473	SPRING.LATCH.SEAT.TEX
43	74760612	21546810	BOLT.FIN.HEX.3/8-16 UNC X 3/4
44	19133812	21546288	WASHER.13/32 X 2 3/8 X 12 GA.

**NOTE:** All component dimensions given in U.S. inches  
1 inch = 25.4 mm

**TRACTOR - MODEL NO. 93604200 / A20BH42 (96046001100), PRODUCT NO. 960 46 00-11  
DECALS**



**WHEELS AND TIRES**



**TRACTOR - MODEL NO. 93604200 / A20BH42 (96046001100), PRODUCT NO. 960 46 00-11  
DECALS**

ITEM NO.	MFG. NO.	ARIENS PART NO.	DESCRIPTION
1	431719		DECAL.HOOD.RH.PRECISION.ARIENS
2	431748		DECAL.HOOD.LH.PRECISION.ARIENS
3	432540		DECAL.SDPNL.PWRDBY KOHL.ARIENS
4	431721		DECAL.FENDER.REAR.ARIENS
5	422816	21546695	DECAL.FLAG
6	419138	21547009	DECAL, WARNING START INST.
7	422811	21546691	DECAL.DASH.LOWER.
8	170563	21546186	DECAL.MOWER.WARN.KEEP HAND AWY
9	145005	21546109	DECAL.BAT.DAN/POI P/L SYM.WPN
10	422813	21546693	DECAL.FENDER.SIDE.HYDRO.ARIENS
11	431434		DECAL, REPLACEMENT
12	429561		DECAL ENGINE
13	422810	21546690	DECAL.WHEEL.STEER.ARIENS
14	160396	21546145	DECAL.V-BELT.SCH.42/46"MEC/ELE
15	431375		DECAL FENDER SERVICE
--	193227X428		PAD FOOTREST
--	166960	21546177	DECAL.BYPASS.FENDER.CRD/LT/YT
--	193226X428	21546313	PAD.FOOTREST.LH.TLT.BLACK.428
--	431471		MANUAL, OPERATOR'S (ENGLISH/FRENCH)
--	431472		MANUAL, OPERATOR'S (SPANISH)
--	431473		MANUAL, PARTS (ENGLISH/FRENCH)

**NOTE:** All component dimensions given in U.S. inches  
1 inch = 25.4 mm

ITEM NO.	MFG. NO.	ARIENS PART NO.	DESCRIPTION
1	59192	21546747	CAP, VALVE, TIRE
2	65139	21546751	STEM, VALVE
3	106732X		RIM ASSEMBLY, FRONT
4	59904	21546748	TUBE, FRONT
5	106222X	21546034	TIRE, FRONT
6	278H	21546547	FITTING, GREASE
7	9040H	21546832	BEARING, FLANGE
8	104757X428	21546024	CAP, AXLE (FRONT WHEEL ONLY)
9	420531	21546685	TIRE, REAR 18 X 9.5-8 TURF SAVER LT
10	7152J	21546755	TUBE, REAR
11	106108X		RIM ASSEMBLY, REAR
--	144334	21546845	SEALANT, TIRE (10 OZ. TUBE)

**NOTE:** All component dimensions given in U.S. inches  
1 inch = 25.4 mm



## Two-Year Limited Consumer Lawn Tractor Warranty

Ariens Company (Ariens) warrants to the **original purchaser** that Ariens brand consumer tractors will be free from defects in material and workmanship for a period of two years after the date of purchase. An authorized Ariens dealer will repair any defect in material or workmanship, and repair or replace any defective part, subject to the conditions, limitations and exclusions set forth herein. Such repair or replacement will be free of charge (labor and parts) to the original purchaser except as noted below.

### ***90-Day Limited Warranty on Service Parts and Accessories***

Genuine Ariens brand service parts and accessories are warranted to be free from defects in material and workmanship for a period of 90 days after the date of purchase. An authorized Ariens dealer will repair or replace any such part or accessory free of charge, except for labor, during that period.

The duration of all warranties herein applies only if the product is put to personal use around a household or residence. If the product is put to any business use, agricultural, commercial, or industrial, then the duration of these warranties shall be 90 days after the date of purchase. If any product is rented or leased, then the duration of these warranties shall be 90 days after the date of purchase.

## Exceptions, Limitations, Exclusions

### ***Customer Responsibilities***

**Register the product immediately at the time of sale.** If the dealer does not register the product, the customer must complete the product registration card in the literature package and return it to the Ariens Company, or register the unit online at [www.ariens.com](http://www.ariens.com).

To obtain warranty service, the **original purchaser** must:

- Perform the maintenance and minor adjustments explained in the owner's manual.
- Promptly notify Ariens or an authorized Ariens service representative of the need for warranty service.
- Transport the product to and from the place of warranty service.
- Have the warranty service performed by an authorized Ariens service representative.

To find an Ariens authorized service representative, contact Ariens at:

655 W. Ryan Street  
Brillion, WI 54110  
(800) 317-5898  
(920) 756 - 2141  
[www.ariens.com](http://www.ariens.com)

### ***Exceptions and Limitations***

- Batteries are warranted only for a period of 12 months after date of purchase, on a prorated basis. For the first 90 days of the warranty period, a defective battery will be replaced free of charge. If the applicable warranty period is more than 90 days, Ariens will cover the prorated cost of any defective battery, for up to 12 months after the date of purchase.



## Exclusions – Items Not Covered by This Warranty

- Engines and engine accessories are covered only by the engine manufacturer's warranty and are not covered by this warranty.
- Parts that are not genuine Ariens service parts are not covered by this warranty.
- The following maintenance, service and replacement items are not covered by this warranty unless they are noted in the Limitations section above: lubricants, spark plugs, oil, oil filters, air filters, fuel filters, brake linings, brake arms, shoes, runners, belts, scraper blades, shear bolts, mower blades, mower vanes, headlights, light bulbs, knives, cutters.
- Any misuse, alteration, improper assembly, improper adjustment, neglect, or accident which requires repair is not covered by this warranty.
- This warranty applies only to products purchased in the United States (including Puerto Rico) and Canada. In all other countries, contact place of purchase for warranty information.

### ***Disclaimer***

Ariens may from time to time change the design of its products. Nothing contained in this warranty shall be construed as obligating Ariens to incorporate such design changes into previously manufactured products, nor shall such changes be construed as an admission that previous designs were defective.

### ***LIMITATION OF REMEDY AND DAMAGES***

Ariens Company's liability under this warranty, and under any implied warranty that may exist, is limited to repair of any defect in workmanship, and repair or replacement of any defective part. Ariens shall not be liable for incidental, special, or consequential damages (including lost profits). Some states do not allow the exclusion of incidental or consequential damages, so the above limitation or exclusion may not apply to you.

### ***DISCLAIMER OF FURTHER WARRANTY***

**Ariens Company makes no warranty, express or implied, other than what is expressly made in this warranty. If the law of your state provides that an implied warranty of merchantability, or an implied warranty of fitness for particular purpose, or any other implied warranty, applies to Ariens Company, then any such implied warranty is limited to the duration of this warranty. Some states do not allow limitations on how long an implied warranty lasts, so the above limitation may not apply to you.**

*This warranty gives you specific legal rights, and you may also have other rights which vary from state to state.*



Ariens Company  
 655 West Ryan Street  
 Brillion, WI 54110-1072  
 800-317-5898  
 www.ariens.com

## PARTS AND SERVICE

This product has been expertly engineered and carefully manufactured to rigid quality standards. As with all mechanical products, some adjustments or part replacement may be necessary during the life of your unit.

For parts and service, contact your local Ariens dealer. To find a dealer in your area, call 1-800-317-5898, or use the Dealer Locator on our web site, [www.ariens.com](http://www.ariens.com).

- For replacement parts, have available the following information:
  - a. Model Number/Manufacturer's I.D. Number.
  - b. Description of part.

For Technical Assistance: call 1-800-317-5898.

For a Parts Manual, go to our website: [www.ariens.com/customerservice/default.aspx](http://www.ariens.com/customerservice/default.aspx)

**MODEL NUMBER** \_\_\_\_\_

**SERIAL NUMBER** \_\_\_\_\_

**DATE OF PURCHASE** \_\_\_\_\_

**THE MODEL AND SERIAL NUMBERS WILL BE FOUND ON A DECAL ATTACHED TO THE FENDER UNDER THE SEAT OF YOUR TRACTOR.**

**YOU SHOULD RECORD BOTH SERIAL NUMBER AND DATE OF PURCHASE AND KEEP IN A SAFE PLACE FOR FUTURE REFERENCE.**

**Ariens**

PRODUCT	MAINTENANCE LEVEL	SERIAL
<b>960460011</b>	<b>00</b>	<b>120108A001234</b>
<small>MODEL</small>		
<b>93604200 / A20BH42</b>		
<b>42" Hydro Tractor</b>		

FOR SERVICE CALL 1-800-317-5898      CONFORMS TO ANSI B71.1-2003 SAFETY STANDARDS  
 ASSEMBLED IN U.S.A.      424354  
 ORANGEBURG, SC 29116



Ariens Company  
 655 West Ryan Street  
 Brillion, WI 54110-1072  
 800-317-5898  
 www.ariens.com

# L'ENTRETIEN ET LES PIÈCES DE RECHANGE

Ce produit, conçu avec les soins les plus attentifs, est fabriqué en accord avec des standards stricts. Comme pour tous les produits avec des parties mobiles, il peut être nécessaire pendant la durabilité de votre machine d'effectuer des ajustements ou le remplacement de certaines pièces.

• Pour les pièces de rechange et l'entretien, contactez notre concessionnaire autorisé: appelez 1-800-317-5898  
 Pour les pièces de rechange, ayez près de vous:

- A. Numéro du modèle/Référence numéro du fabricant
- B. Description de la pièce

Pour l'assistance technique: appelez 1-800-317-5898

Pour un manuel de pièces, allez à notre site web: [www.ariens.com/customer-service/default.aspx](http://www.ariens.com/customer-service/default.aspx)

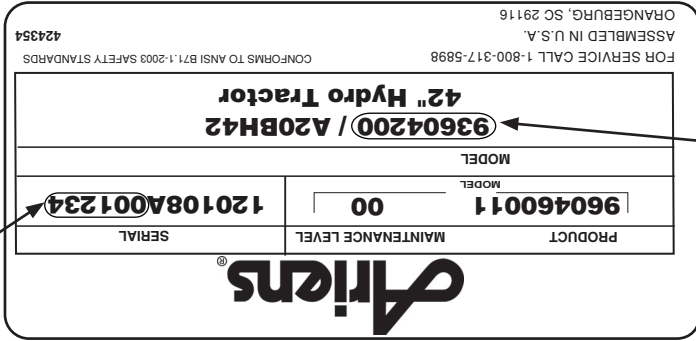
NUMÉRO  
DU MODÈLE

NUMÉRO  
DU MODÈLE

NUMÉRO  
DE SÉRIE

DATE D'ACHAT

DANS LA FUTUR.  
 LE NUMÉRO DU MODÈLE ET SÉRIE SONT  
 TROUVÉS SUR UN DÉCALCOMANIE SUR L'AILLE  
 SOUS LA LE SIÈGE DE VOTRE TRACTEUR.  
 DEVRIEZ-VOUS ENREGISTRER TOUT LE NUMÉRO  
 DU MODÈLE ET SÉRIE ET CONSERVEZ-VOUS  
 DANS UN ENDROIT SÛR POUR RÉFÉRENCE



NUMÉRO  
DU MODÈLE

NUMÉRO  
DE SÉRIE

## Exceptions et Limitations

- Les batteries ne sont garanties, au prorata, que pendant une période de douze (12) mois après la date d'achat. Pendant les premiers (90) jours de la garantie, une batterie défectueuse sera remplacée gratuitement. Si la période de garantie applicable est supérieure à 90 jours, Ariens couvrira le coût au prorata de toute batterie défectueuse, jusqu'à douze (12) après la date d'achat.

## Exclusions – Points non couverts par cette garantie

- Les moteurs et les accessoires moteur ne sont couverts que par le fabricant du moteur, cette garantie ne les couvre pas.
- Les équipements Eye-Q™ et Scan-Mate™ sont couverts par leur propre garantie et ne sont pas couverts par cette garantie
- Les pièces de rechange qui ne sont pas d'origine Ariens ne sont pas couvertes par cette garantie.
- L'entretien, le service et les pièces de rechange suivantes ne sont pas couvertes par cette garantie, aux limitations indiquées plus haut près : lubrifiants, bougies, huile, filtres à air, filtre à carburant, garnitures de frein, semelles, patins, lames de racle, boulons à tête cassante, lames de coupe, pales de coupe, phares, ampoules, couteaux, cutters.
- Tout défaut résultant d'une mauvaise utilisation, d'altération, d'un montage ou d'un réglage incorrect, d'une négligence ou d'un accident nécessitant une réparation, n'est pas couvert par cette garantie.
- Cette garantie ne s'applique qu'aux produits achetés aux États-Unis (comprenant Porto Rico) et au Canada. Dans les autres pays, contacter le vendeur pour obtenir les informations concernant la garantie.

## Déni de responsabilité

Ariens peut, de temps en temps, modifier la conception de ses produits. Rien de cette garantie ne constitue une obligation d'Ariens Company d'apporter ces changements aux produits déjà fabriqués. Ces changements ne signifient en aucun cas que les conceptions précédentes étaient défectueuses.

## LIMITATIONS DE RECOURS ET DE DOMMAGES

La responsabilité de la société Ariens au titre de cette garantie, ainsi que de toute garantie implicite qui pourrait exister, est limitée à la réparation de toute défectuosité et à la réparation ou au remplacement de toute pièce défectueuse. Ariens ne saurait être tenu responsable de dommages accessoires, particuliers ou indirects (y compris les pertes de profits). Des états n'autorisent pas l'exclusion de dommages particuliers ou indirects, auquel cas les limitations et exclusions précédentes peuvent ne pas s'appliquer à vous.

## DÉNI DE RESPONSABILITÉ SUPPLÉMENTAIRE

La société Ariens n'assure aucune garantie, implicite ou explicite, autre que celle exprimée dans cette garantie. Si la loi de l'état prescrit qu'une garantie implicite de qualité marchande ou d'adaptation à une utilisation particulière s'applique à Ariens, une telle garantie se limite à la durée de cette garantie explicite. Certains états n'autorisent pas les limitations de durée de garantie implicite, auquel cas les limitations précédentes peuvent ne pas s'appliquer à vous.

*Cette garantie vous donne des droits légaux spécifiques; d'autres droits peuvent s'appliquer en fonction de votre État de résidence.*

ARIENS COMPANY

GRAVELLY® | STENS® | LOCKE® | NATIONAL® | BYNORM® | EVERRIDE® | GREAT DANE®

Con\_Tracor\_2009  
2 sur 2

# Garantie jardinage de deux ans pour les utilisateurs privés de Tracteur



La société Ariens (Ariens) garantit l'acheteur d'origine que les produits tracteur des marques Ariens contre tout défaut de matériau et de main-d'œuvre pendant une période de deux ans suivant la date initiale d'achat. Un concessionnaire Ariens autorisé réparera tout défaut de matériau ou de main-d'œuvre et réparera ou remplacera toute pièce défectueuse, selon les conditions, limitations et exclusions indiquées ici. Cette réparation ou remplacement se fera sans frais pour l'acheteur d'origine (main-d'œuvre et pièces), sauf pour les exceptions suivantes.

## **90 jours de garantie limitée pour les pièces de rechange et les accessoires.**

Les pièces de rechange et accessoires d'origine de la marque Ariens sont garanties contre les défauts de matériau et de main d'œuvre pendant une période de 90 jours suivant la date d'achat. Un concessionnaire Ariens autorisé réparera ou remplacera gratuitement la pièce de rechange ou l'accessoire, à l'exception de la main d'œuvre, pendant cette période.

La durée de toutes les garanties ci-après ne s'applique qu'à des produits utilisés à titre personnel dans un domicile ou une résidence. Si le produit est utilisé de façon professionnelle, agricole, commerciale ou industrielle, la durée de ces garanties sera de 90 jours suivant la date d'achat. Si un produit est loué ou mis en leasing, la durée de ces garanties est de 90 jours suivant la date d'achat.

## **Exceptions, limitations, exclusions,**

### **Responsabilités du client**

**Enregistrer le produit immédiatement au moment de la vente.** Si le concessionnaire n'enregistre pas le produit, le client doit remplir la carte d'enregistrement qui se trouve dans la littérature d'accompagnement et la retourner à la société Ariens, ou enregistrer l'équipement en ligne sur [www.ariens.com](http://www.ariens.com). Pour bénéficier de la garantie, l'acheteur initial devra répondre aux conditions suivantes:

- L'acheteur doit effectuer l'entretien et les réglages mineurs en conformité avec le manuel du propriétaire.
- L'acheteur doit rapidement aviser le représentant Ariens agréé si un service sous garantie est nécessaire.
- L'acheteur doit assurer le transport du produit vers/du lieu où la réparation sous garantie sera effectuée.
- Le service de garantie doit être effectué par un concessionnaire agréé par Ariens.

Pour connaître un représentant de service Ariens autorisé, contacter Ariens à :

655 W. Ryan Street  
Brillion, Wisconsin 54110  
(800) 317 - 5898  
(920) 756 - 2141  
[www.ariens.com](http://www.ariens.com)

ARIENS COMPANY

GRAVELLY® | STENS® | LOCKE® | NATIONAL® | BYNORM® | EVERRIDE® | GREAT DANÉ®

Con\_Tractor\_2009  
1 sur 2

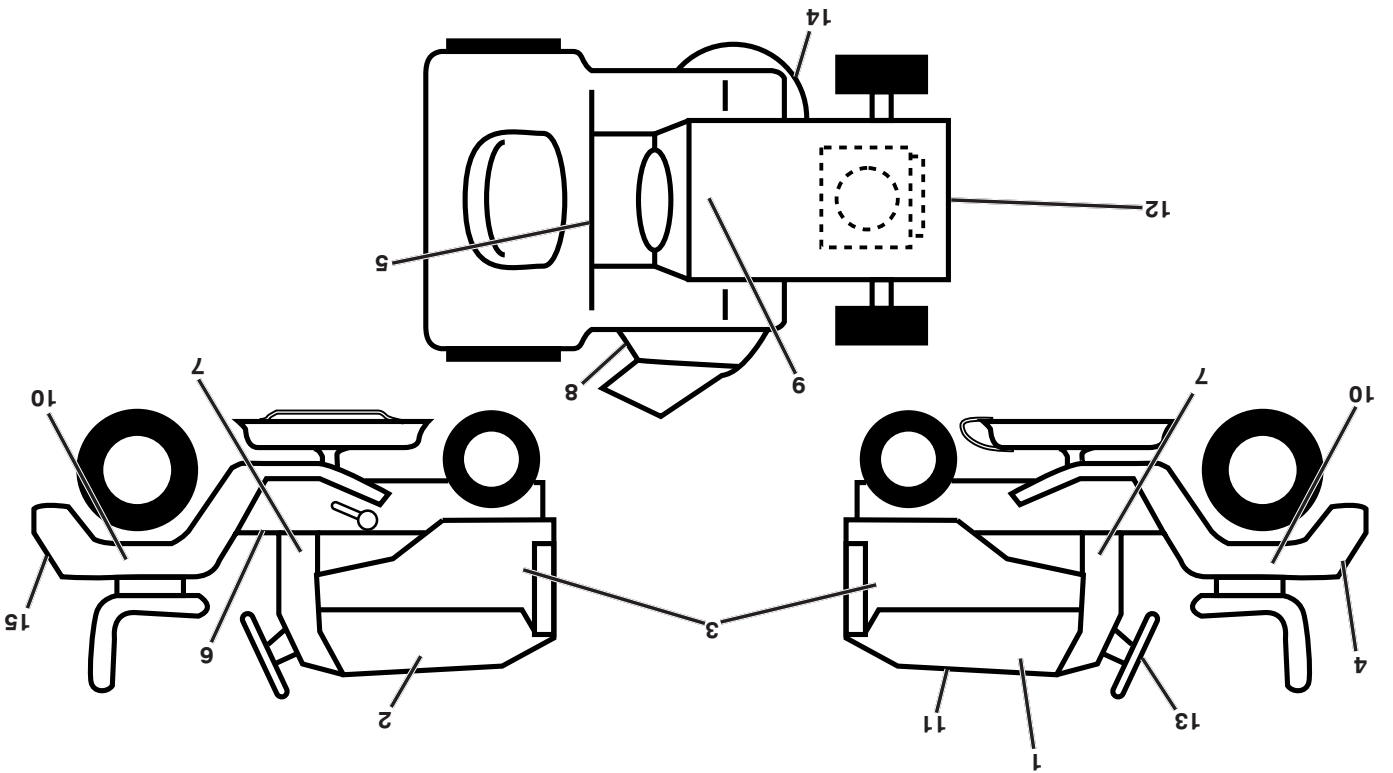
NO. DE D'OBJ. FAB.	NO. DE ARIENS	DESCRIPTION
1	431719	DÉCALCOMANIE, CAPOT C.D.
2	431748	DÉCALCOMANIE, CAPOT C.G.
3	432540	DÉCALCOMANIE, PANNEAU CÔTÉ
4	431721	DÉCALCOMANIE, PARE-CHOC DE DEVANT
5	422816	DÉCALCOMANIE, DRAPÉAU
6	419138	DÉCALCOMANIE, D'AVERTISSEMENT
7	422811	DÉCALCOMANIE, TABLEAU DU BORD INFÉRIEUR
8	170563	DÉCALCOMANIE, D'AVERTISSEMENT DU TONDEUSE
9	145005	DÉCALCOMANIE, BATTERIE
10	422813	DÉCALCOMANIE, PANNEAU CÔTÉ
11	431434	DÉCALCOMANIE, REMPLACEMENT
12	429561	DÉCALCOMANIE, MOTEUR
13	422810	DÉCALCOMANIE, VOLANT DE DIRECTION
14	160396	DÉCALCOMANIE, COURROIE
15	431375	DÉCALCOMANIE, PARE-CHOC D'ENTRETIEN
--	193227X428	COUSSIN DE REPOSE-PIED
--	166960	DÉCALCOMANIE, DÉRIVATION
--	193226X428	COUSSIN DE REPOSE-PIED C.G.
--	431471	MANUEL DE L'OPÉRATEUR (ANGLAIS/FRANÇAIS)
--	431472	MANUEL DE L'OPÉRATEUR (ESPAGNOL)
--	431473	MANUEL DU PIÈCES (ANGLAIS/FRANÇAIS)

Remarque: Toutes les dimensions de composant sont données en pouces E.-U. --1 pouce = 25,4 mm

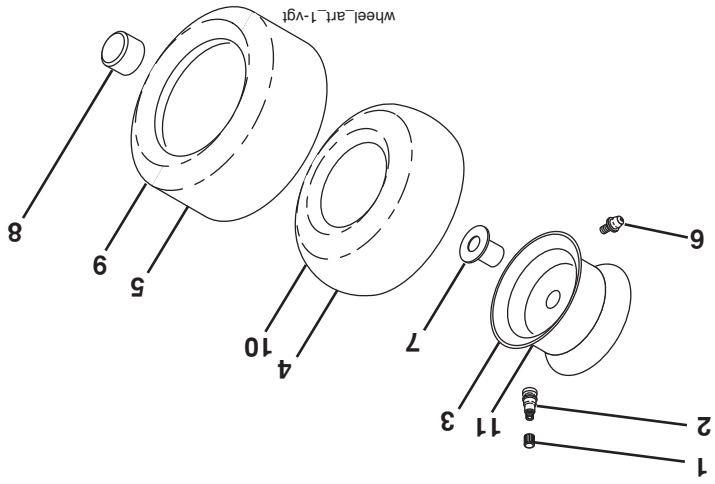
NO. DE D'OBJ. FAB.	NO. DE ARIENS	DESCRIPTION
1	59192	CHAPÉAU DE SOUPAPE DU PNEU
2	65139	TUYAU DU SOUPAPE
3	106732X	ASSEMBLAGE DE LA JANTE ANTÉRIEURE
4	59904	CHAMBRE À AIR ANTÉRIEURE
5	106222X	PNEU ANTÉRIEUR
6	278H	GRAISSÉUR
7	9040H	PALIER À COLLETTTE
8	104757X428	CHAPÉAU DE L'ESSIEU (ROUE ANTÉRIEURE SEULEMENT)
9	420531	PNEU ARRIÈRE 18 X 9.5-8 "TURFSAVER LT"
10	7152J	CHAMBRE À AIR ARRIÈRE
11	106108X	ASSEMBLAGE DE LA JANTE ARRIÈRE
--	144334	JOINT D'ÉTANCHÉITÉ DE PNEU (TUBE DE .30L [10 OZ. TUBE])
--	21546845	

Remarque: Toutes les dimensions de composant sont données en pouces E.-U. --1 pouce = 25,4 mm





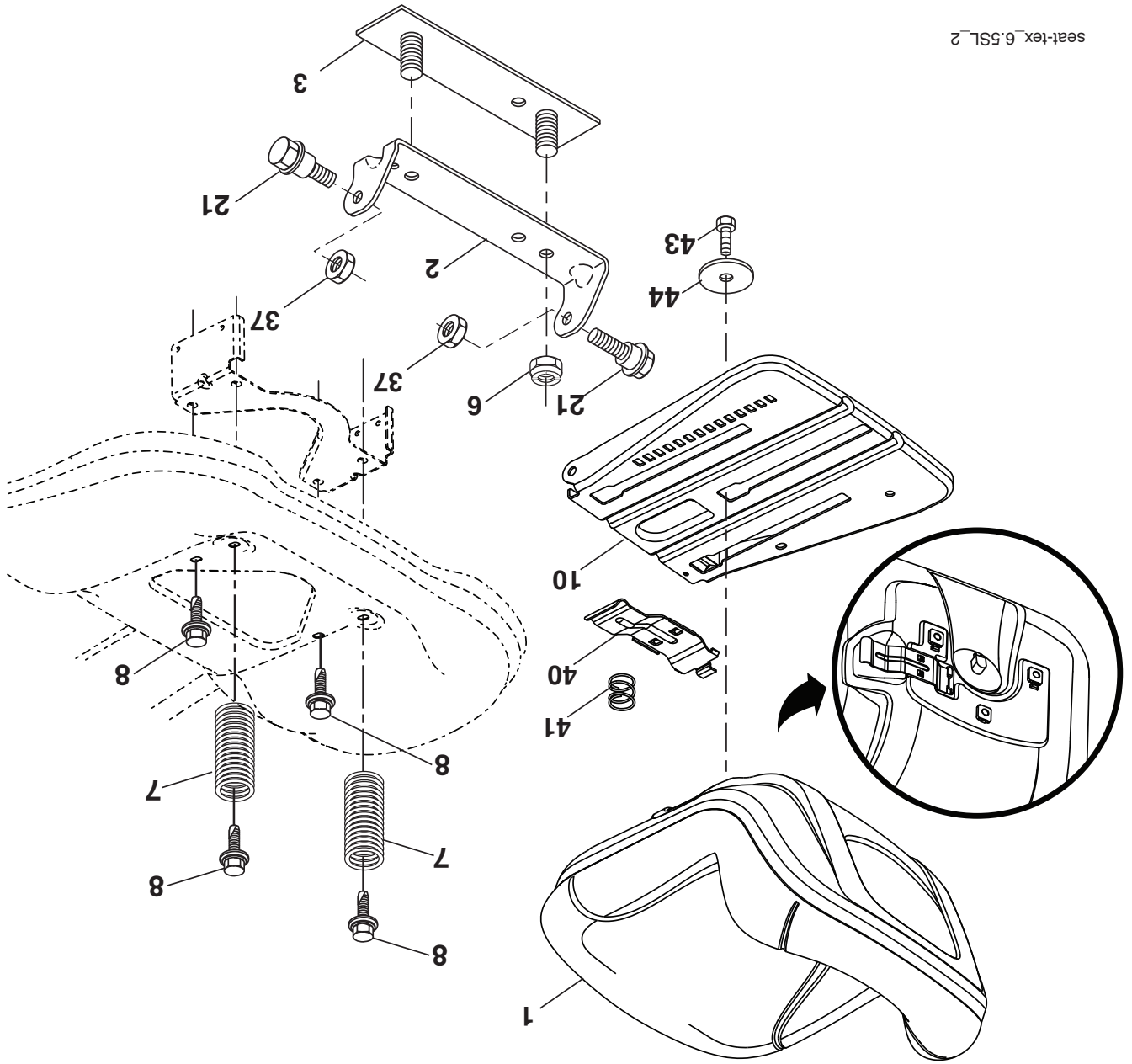
ROUES & PNEUS





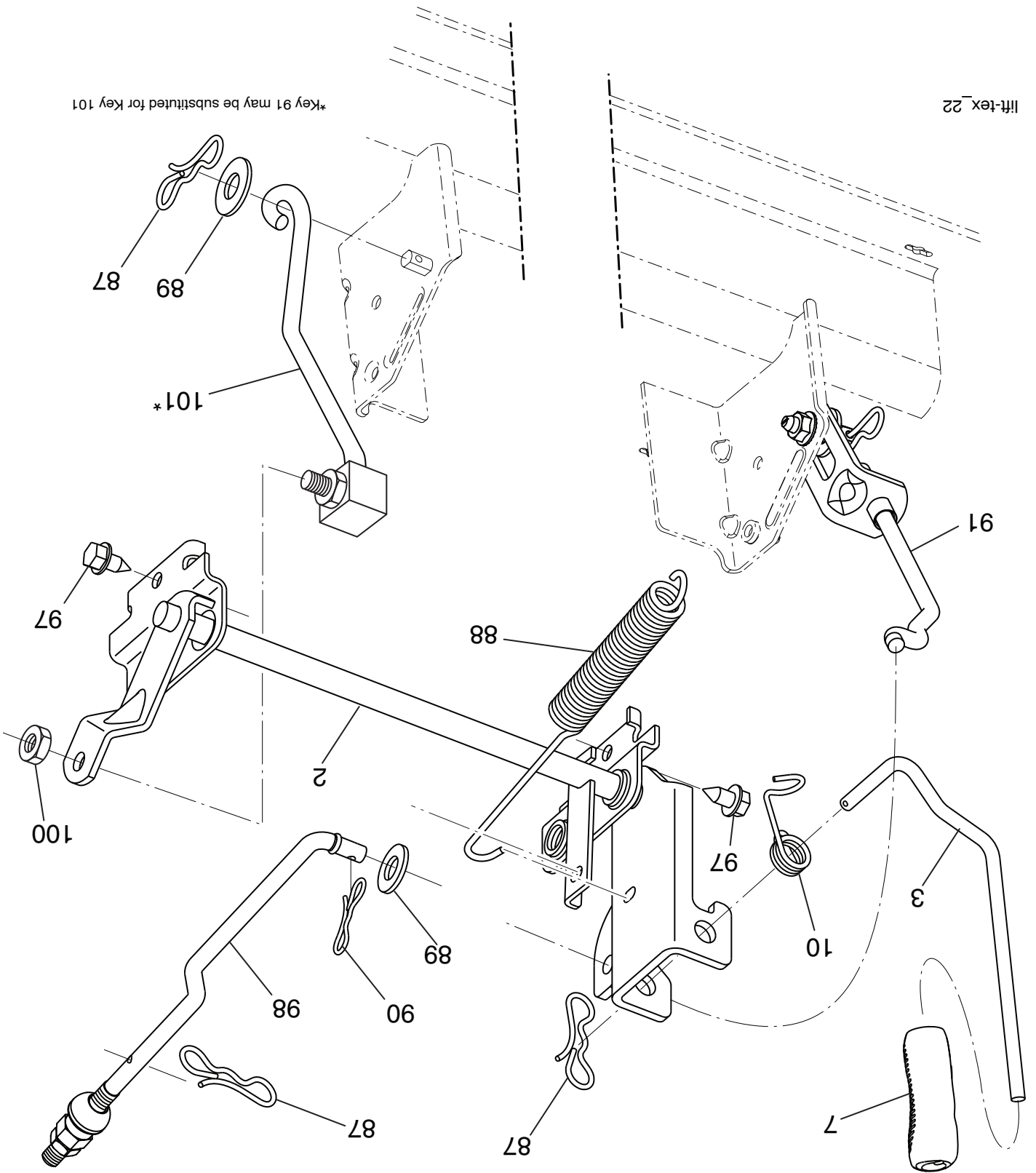
NO. DE D'OBJ. FAB.	NO. DE NO. PIÈCE	DESCRIPTION
1	423010	SIÈGE
2	180166	SUPPORT DE PIVOT
3	140675	SUPPORT DE SIÈGE
6	73800600	CONTRE-ÉCROU AVEC RONDELLE INSERT 3/8-16
7	124181X	RESSORT DE COMPRESSION DU SIÈGE
8	171877	BOULON 5/16-18 UNC X 3/4
10	196977	PANNEAU DU SIÈGE
21	171852	BOULON 5/16-18
37	73800500	CONTRE-ÉCROU AVEC RONDELLE INSERT 5/16-18
40	197661	POIGNÉE GLISSANT DU SIÈGE
41	198200	RESSORT DU LOQUET
43	74760612	BOULON 3/8-16 UNC X 3/4
44	19133812	RONDELLE 13/32 X 2 3/8 X 12 JA.

**Remarque:** Toutes les dimensions de composant sont données en pouces E.-U. --1 pouce = 25,4 mm



NO. DE D'OBJ. FAB.	NO. DE ARIENS	DESCRIPTION
2	422027	ENSEMBLE DE L'ARBRE
3	195231	LEVIER DE LEVAGE
7	196492X428	POIGNÉE NOIR DU LEVIER
10	196314	RESSORT DE TORSION
87	194209	GOUVILLE FENDUE 7/16
88	410710	RESSORT DU LEVAGE
89	19191912	RONDELLE
90	194208	GOUVILLE FENDUE 5/16
91	195181	TIGE DE LEVAGE (C.G)
97	17000612	VIS 3/8-16 X 3/4
98	195270	TIGE DE LEVAGE
100	73930600	ÉCROU
101	407003	TIGE DE LEVAGE DU SUSPENSION
		AVANT

**Remarque:** Toutes les dimensions de composant sont données en pouces E.-U. -- 1 pouce = 25,4 mm



TRACTEUR - NO. DE MODÈLE 93604200 / A20BH42 (96046001100), NO. DE PRODUIT 960 46 00-11  
 CARTER DE TONDEUSE

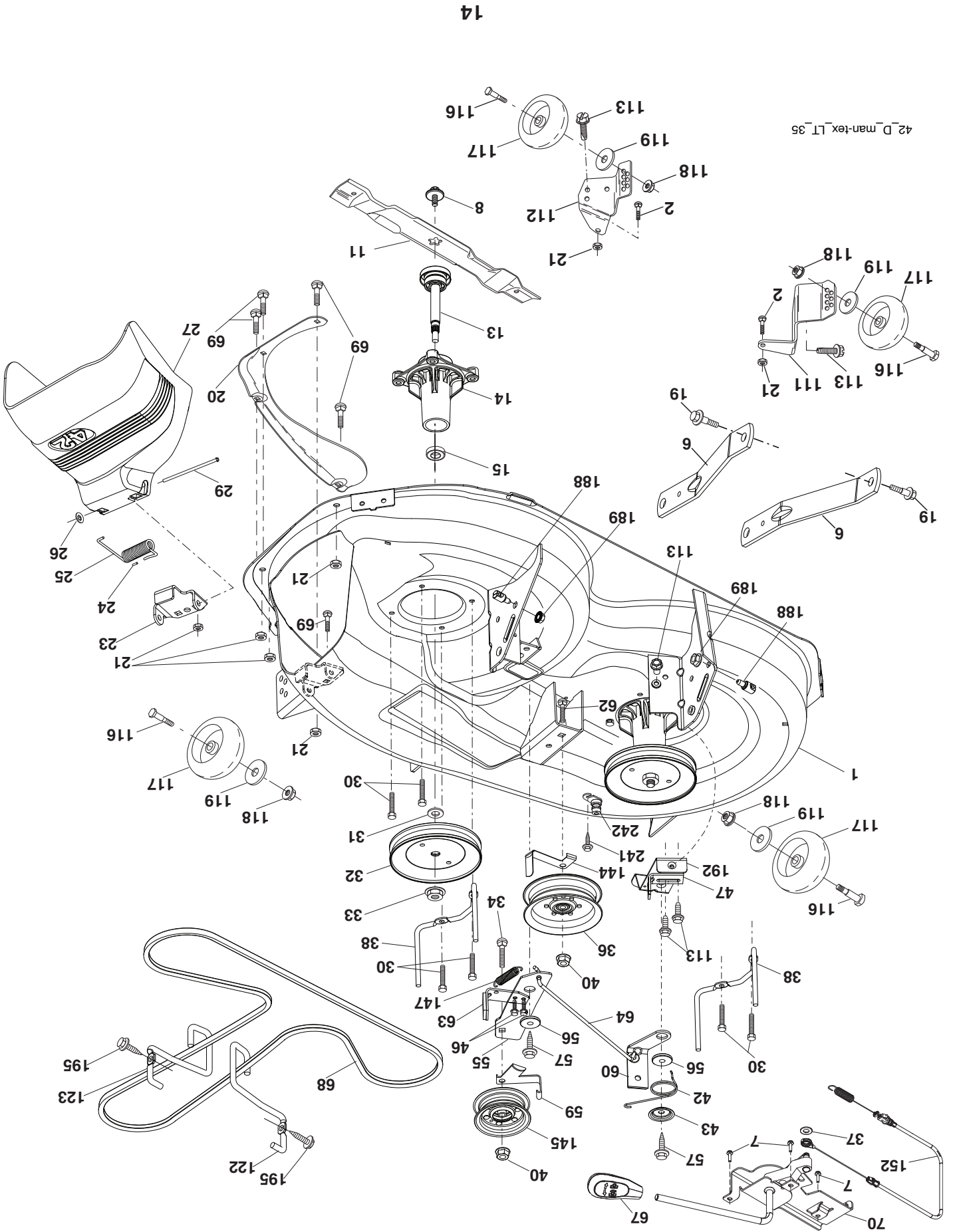
NO. NO. DE NO. PIÈCE	DESCRIPTION	NO. NO. DE NO. PIÈCE	DESCRIPTION
1	TONDEUSE	196495X422	
2	BOULON	72140506	
6	TIGE	21546347	
7	VIS	21546675	
8	BOULON/RONDELLE	21546301	
11	LAME	21546095	
--	LAME 3 N 1		
--	LAME 3 N 1 PREMIUM		
--	LAME	404784	
--	SUPPORT DU ROUE (C.G.)	112	404785
--	SUPPORT DU ROUE (C.G.)	113	17000510
13	TIGE	116	4898H
14	MANDRIL	117	188606
15	PALIER	118	73930600
19	BOULON	119	19121414
20	CHICANE	21546144	
21	ÉCROU 5/16-18	21546784	
23	SUPPORT	21546296	
24	CHAPPEAU	21546025	
25	RESSORT	21546416	
26	ÉCROU	21546045	
27	DÉFLECTEUR DE	21546305	193108X428
29	TIGE	21546081	
30	VIS	21546192	
31	RONDELLE	21546253	
32	POULIE DU MANDRIN	21546446	
33	ÉCROU	21546554	
34	BOULON 3/8-16 X 1-1/2.	21546765	
36	POULIE	21546440	
37	RONDELLE 13/32 X 13/16 X 16 JA.	21546284	
38	GARDE DU COURROIE	21546487	
40	ÉCROU 3/8-16	21546790	
42	RESSORT DE RETENUE	21546478	
43	RESSORT DE RETENUE	21546423	
46	VIS 1/4-20 X 5/8	21546091	
47	SUPPORT DU CÂBLE	21546421	
55	D'EMBRAYAGE	21546419	
56	SUPPR	21546482	
57	VIS 3/8-16X1	21546182	
59	GARDE DU POULIE	21546103	
60	TIGE DU FREIN	21546429	
62	BOULON 3/8-16 UNC X 2	21546767	
63	TIGE	199477	
64	TIGE DU FREIN	199918	
67	POIGNÉE	198398X428	
68	COURROIE	429636	
69	BOULON 5/16-18 X 5/8	72140505	
70	SUPPORT DU POIGNÉE	198332	
111	D'EMBRAYAGE	404784	
112	SUPPORT DU ROUE (C.G.)	404785	
113	SUPPORT DU ROUE (C.G.)	17000510	
116	BOULON	4898H	
117	ROUE	188606	
118	ÉCROU 3/8-16 UNC.	73930600	
119	RONDELLE 3/8 X 7/8 X 14 JA.	19121414	
122	GARDE DU COURROIE	197258	
123	GARDE DU COURROIE	197259	
144	GARDE DU COURROIE	199204	
145	POULIE	193197	
147	RESSORT DE RETENUE	401971	
152	CÂBLE D'EMBRAYAGE	408714	
188	TÉNON	195161	
189	ÉCROU 5/16-18 UNC	73900500	
192	SUPPORT (C.G.)	197260	
195	VIS 3/8-16 X 3/4.BL	17000612	
241	VIS	152927	
242	RACCORD DE LAVAGE	415598	
21546299	ASSEMBLAGE DU	192870	
21546181	ASSEMBLAGE DU	17000612	
21546428	SUPPORT (C.G.)	197260	
21546789	ÉCROU 5/16-18 UNC	73900500	
21546343	TÉNON	195161	
21546635	CÂBLE D'EMBRAYAGE	408714	
21546577	RESSORT DE RETENUE	401971	
21546308	POULIE	193197	
21546489	GARDE DU COURROIE	199204	
21546426	GARDE DU COURROIE	197259	
21546424	GARDE DU COURROIE	197258	
21546281	RONDELLE 3/8 X 7/8 X 14	19121414	
21546794	ÉCROU 3/8-16 UNC.	73930600	
21546267	ROUE	188606	
21546741	BOULON	4898H	
21546179	BOULON 5/16-18	17000510	
21546785	SUPPORT DU ROUE (C.G.)	404785	
21546474	SUPPORT DU POIGNÉE	198332	
21546770	BOULON 5/16-18 X 5/8	72140505	
21546476	POIGNÉE	198398X428	
21546499	TIGE	199477	
431481	TONDEUSE DU GAZON	431481	
	POUR REMPLACEMENT,		
	COMPLETE		

Remarque: Toutes les dimensions de composant sont données en pouces E.-U. -- 1 pouce = 25,4 mm

TRACTEUR - NO. DE MODÈLE 93604200 / A20BH42 (96046001100), NO. DE PRODUIT 960 46 00-11

CARTER DE TONDEUSE

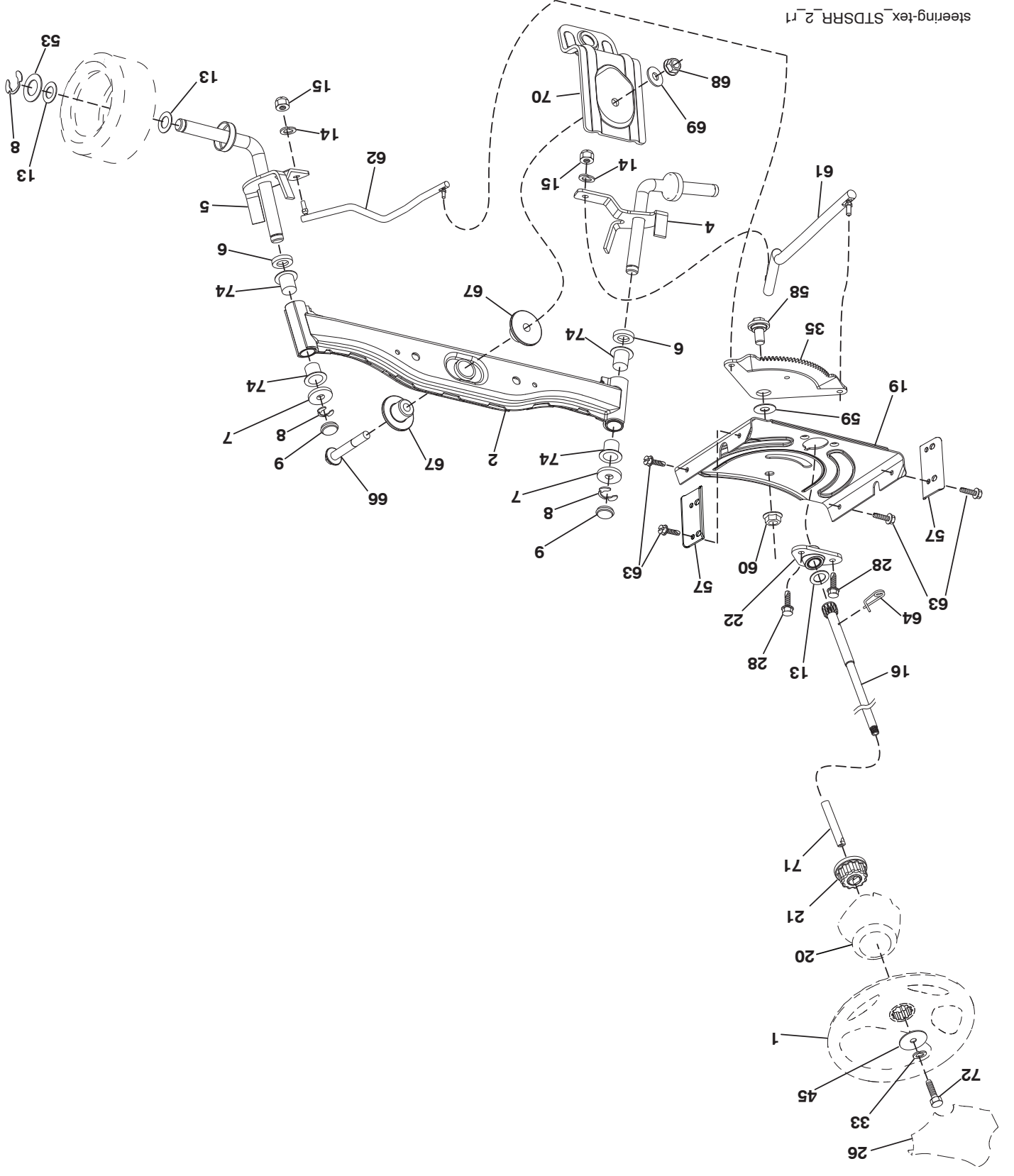
42\_D\_man-tex\_LT\_35



NO. DE D'OBJ. FAB.	NO. PIÈCE ARIENS	DESCRIPTION
414851X428	21546681	VOLANT DE DIRECTION
403088	21546582	FUSÉE D'ARBRE (C.G.)
403088	21546583	FUSÉE D'ARBRE (C.D.)
6266H	21546750	RONDELLE .75 X 1.230
121748X	21546066	RONDELLE 25/32 X 1-5/8 X 16 JA.
12000029	21546053	ANNEAU DE RETÈNUE #T5304-75
121232X	21546064	CHAPEAU DE FUSÉE D'ARBRE
121749X	21546067	RONDELLE 25/32 X 1-1/4 X 16 JA.
10040600	21546003	RONDELLE 3/8
73540600	21546782	ÉCROU 3/8-24 UNF
429374		TIGE DE DIRECTION
194729	21546334	PLAQUE DE DIRECTION
198375X428	21546475	MANÇON DE DIRECTION
186737	21546234	ADAPTATEUR DU VOLANT DE DIRECTION
420537	21547007	SUPPORT DE DIRECTION, INFÉRIEUR
414854X428	21546665	CHAPEAU DU VOLANT DE DIRECTION
17000612	21546181	VIS 3/8-16 X 3/4
10040500	21546002	RONDELLE 5/16
194732	21546335	PLAQUE DE MÉCANISME DENTÉ
19113812	21546280	RONDELLE .11/32 X2 3/8 X 12 JA
73940800	21546795	ÉCROU 1/2-20 UNF
188967	21546272	RONDELLE .793 X 1.637 X 060
407465	21546623	SUPPORT
194747	21546339	BOULON
194748	21546340	RONDELLE
73971000	21546797	CONTRE-ÉCROU COLLETTE 5/8-11
194740	21546337	TIGE DE DIRECTION (C.G.)
194741	21546338	TIGE DE DIRECTION (C.D.)
17000512	21546180	VIS 5/16-18 X 3/4
199849	21546512	COLLIER DE RETÈNUE
71020748	21546754	BOULON 7/16-14 X 3
194737	21546336	COUSSINET
73900700	21546791	CONTRE-ÉCROU COLLETTE 7/16-14 CAT. 5
199162	21546483	RONDELLE 1.5 X .505 X .118
196197	21546386	SUPPORT DU SUSPENSION DE TONDEUSE
190752		TIGE
428982		BOULON 5/16-18 X 4
3366R	21546550	PALIER

Remarque: Toutes les dimensions de composant sont données en pouces E.-U. -- 1 pouce = 25,4 mm





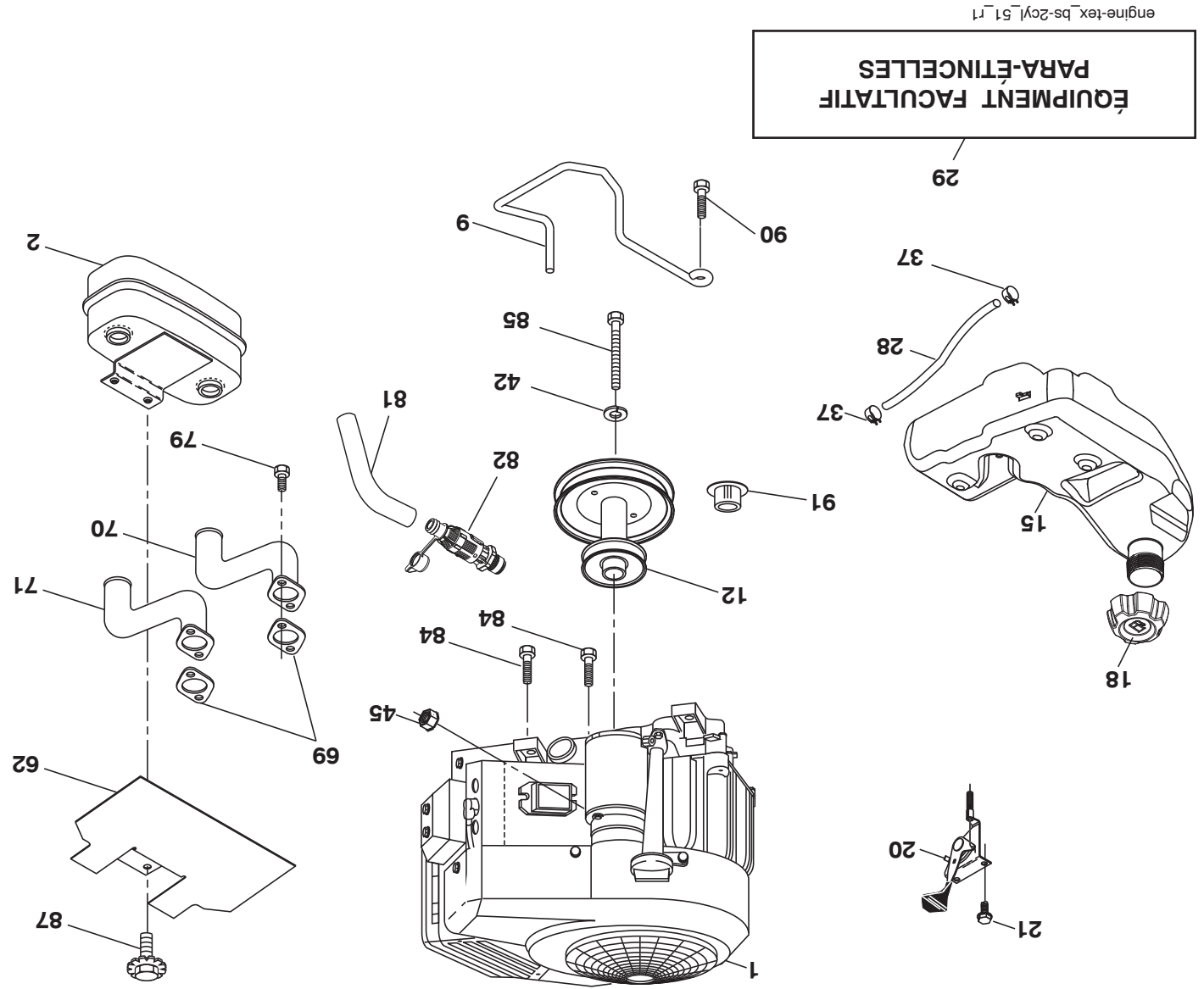
NO. DE D'OBJ. FAB.	NO. DE ARIENS	DESCRIPTION
1	----	MOTEUR BRIGGS NO. DE MODÈLE 406777-0442-B1
2	149723	SILENCIEUX
9	194320	GARDE DU COURROIE
12	405472	POULIE DU MOTEUR
15	400021	RÉSÉRVOIR D'ESSENCE
18	430218	CHAPPEAU
20	421473X428	CONTRÔLE
21	416358	VIS
28	401135	CONDUITE D'ESSENCE
29	137180	JEU D'ÉQUIPEMENT FACULTATIF PARA-ÉTIN- CELLES
37	123487X	BRIDE DE SERRAGE DU TUYAU
42	10040700	RONDELLE 7/16
45	73510400	ÉCROU 1/4-20 UNC
62	146629	PARE-CHALEUR
69	165391	GARNITURE DU SILENCIEUX
70	159955	TUYAU D'ÉCHAPPEMENT (C. G.)
71	160589	TUYAU D'ÉCHAPPEMENT (C. D.)
79	183906	VIS 5/16-18 X 1
81	148456	TUYAU D'HUILE
82	428287	SOUPIPE D'HUILE
84	17060620	VIS 3/8-16 X 1-1/4
85	173937	BOULON 7/16-20 X 4 X CAT. 5-1.5
87	171877	BOULON 5/16-18 UNC X 3/4
90	17000616	VIS 3/8-16 X 1
91	187495	DOUILLE

**REMARQUE:** Toutes les dimensions de composant sont données en pouces E.-U. — 1 pouce = 25,4 mm.

Pour des pièces de service et de rechange de moteur, réclamez le numéro de téléphone libre pour votre fabricant de moteur énuméré ci-dessous:

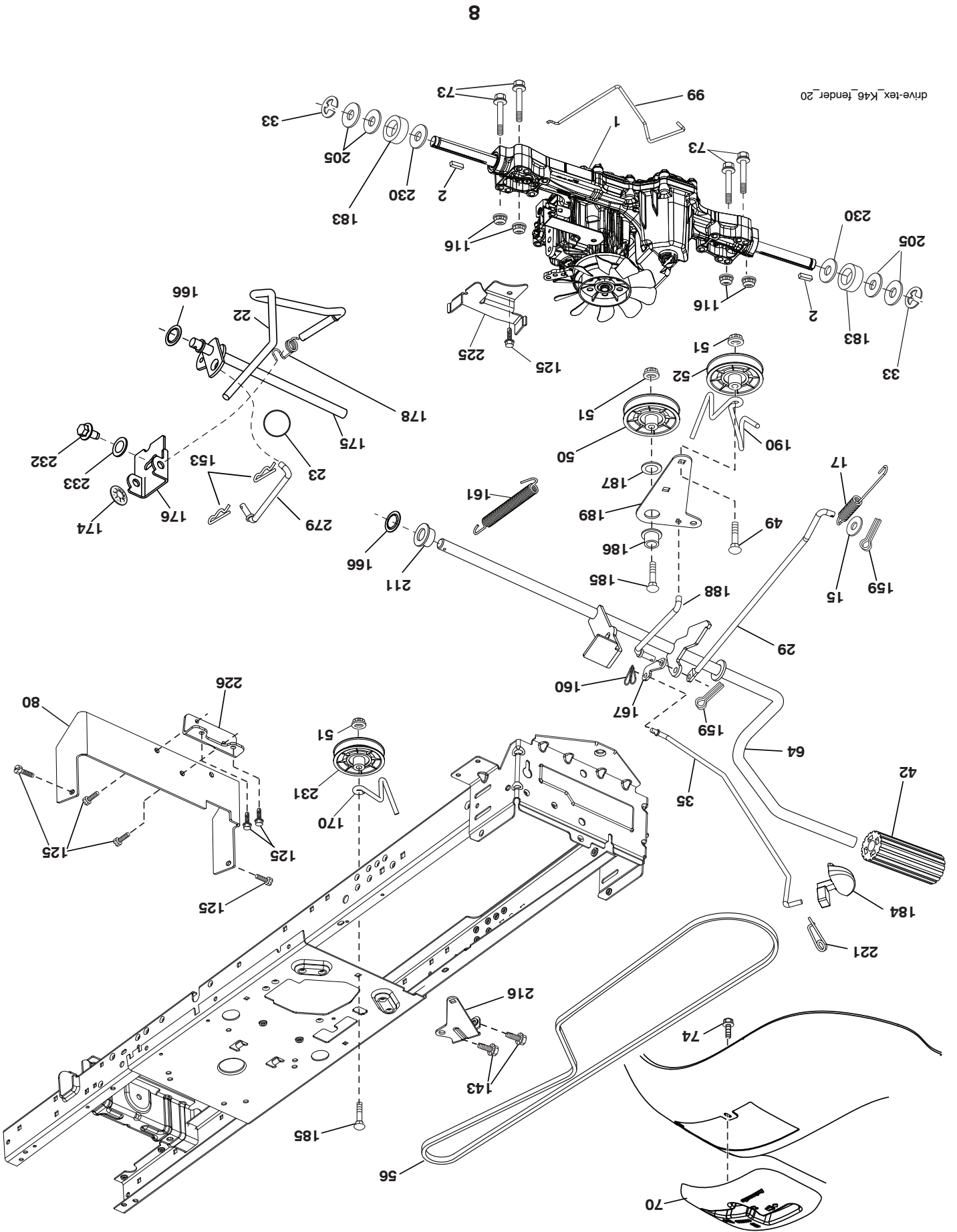
Briggs & Stratton

1-800-233-3723



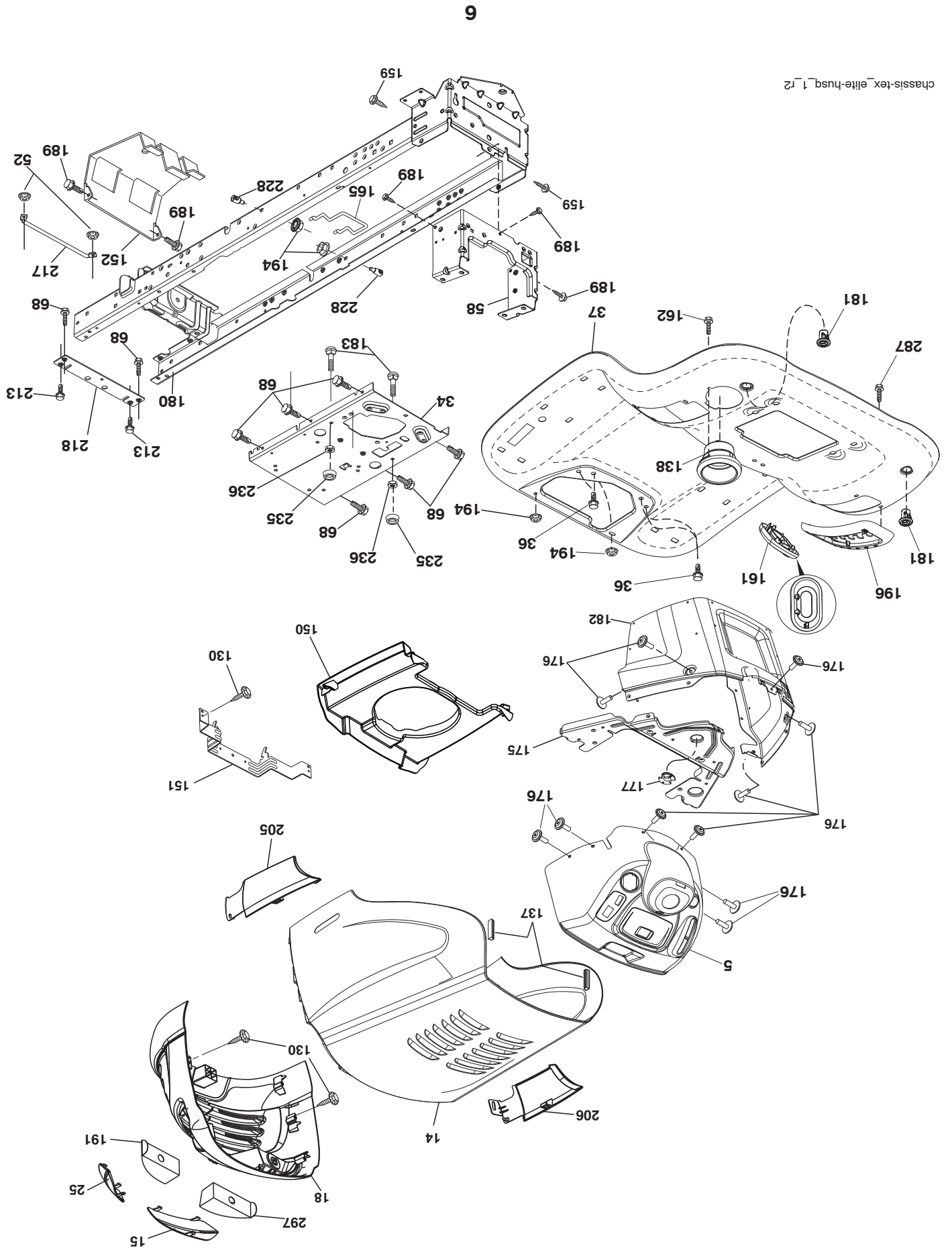
NO. DE D'OBJ. FAB.	NO. PIÈCE ARIENS	DESCRIPTION
1	----	TRANSMISSION, TUFFTORQ K46AW
2	21546070	CLÉ
15	19131316	RONDELLE.13/32 X 13/16 X 16 JA.
17	413678	RESSORT DU FREIN
22	197660	TIGE DE MOUVEMENT
23	140845	BOUON
29	403806	TIGE DU FREIN
33	1200001	ANNEAU
35	197722	TIGE DU FREIN DE STATIONNEMENT
42	8883R	COUVERCLE DU PEDALE
49	72110614	BOULON 3/8-16 UNC X 1-3/4 CAT. 5
50	194327	POULIE
51	73900600	ÉCROU 3/8-16
52	194326	POULIE
56	130969	COURROIE
64	196200	TIGE DU PEDALE DU FREIN
70	1932220X428	SUPPORT
73	74490544	BOULON 5/16-18. CAT. 5
74	142432	VIS 1/4 X 1/2 UNC
80	410024	SUPPORT
99	415742	TIGE DE DÉRIVATION
116	73900500	ÉCROU 5/16-18 UNC
125	17000512	VIS 5/16-18 X 3/4
143	17490508	VIS 5/16-18 X 1/2
153	4497H	RESSORT DE RETENUE
159	76020412	GOUILLLE FENDUE
160	169484	PINCE
161	105709X	RESSORT D'EMBAYAGE
166	428305	NUT PUSH .625
167	405257	LATCH BRAKE PARKING
170	413430	KEEPER.CENTER SPAN.1.688
174	197289	ÉCROU
175	408539	TIGE DE MOUVEMENT
176	196214	TIGE DE MOUVEMENT
178	197456	RESSORT DU MOUVEMENT
183	137057	ENTRÊTOISE
184	198403X505	POIGNÉE DE FREIN DE STATIONNEMENT
185	72110622	BOULON 3/8-16 UNC X 2-3/4 CAT. 5
186	194321	ENTRÊTOISE
187	19133210	RONDELLE.13/32 X 2 X 10 JA.
188	194323	TIGE D'EMBAYAGE
189	194317	SUPPORT DU POULIES
190	194318	GARDE DU POULIES
205	121748X	RONDELLE.25/32 X 1-5/8 X 16 JA.
211	196212	COUSSINET
216	196131	SUPPORT
221	403187	RESSORT DE RETENUE
225	403319	GARDE DU COURROIE
226	401564	SUPPORT
230	188967	RONDELLE.793 X 1.637 X 060
231	407287	POULIE
232	74780716	BOULON 7/16-14X1 CAT. 5
233	405296	RONDELLE
279	413150	TIGE DE MOUVEMENT

**Remarque:** Toutes les dimensions de composant sont données en pouces E.-U. --1 pouce = 25,4 mm



NO. PIÈCE	NO. DE D'OBJ. FAB.	ARIENS	DESCRIPTION
5	197783X428	21546456	TABEAU DE BORD
14	425404X422	21546867	CAPOT
15	188264X599	21546261	LENTILLE TRANSPARENTE (C.G.)
18	423179	21546708	GRILLE
25	188263X599	21546260	LENTILLE TRANSPARENTE (C.D.)
34	196125	21546384	PLAQUETTE DE MOTEUR
36	17060512	21546187	VIS 5/16-18 X 3/4
37	414870X422	21546784	AMORTISSEUR
52	73680500	21546784	ÉCROU AUTO-BLOQUANT 5/16-18
58	412280	21546643	BARRE D'ATTACHE SUPÉRIEUR
68	17490508	21546199	VIS 5/16-18 X 1/2
130	416358	21546675	VIS
137	184921	21546230	BUTOIR GRANDE DU CAPOT
138	193224X428	21546311	SUPPORT DE TASSE
150	184322	21546626	SUPPORT
151	407807	21546626	SUPPORT
152	199535	21546501	BOUCLEUR DE DÉBRIS
159	17000612	21546181	VIS 3/8-16 X 3/4
161	193229X428	21546316	LENTILLE POUR L'ESSENCE
162	142432	21546106	VIS 1/4X1/2
165	196826	21546413	SUPPORT D'ESSENCE
175	193243	21546317	TRAVERSE
176	400776	21546562	VIS 10-24 X 5/8
177	195228	21546357	COUSSINET
180	415063	21546670	CHASSIS
181	193102X428	21546304	COUSSINET
182	193057	21546302	TABEAU DU BORD INFÉRIEUR
183	74520520	21546180	BOULON 5/16-18 X 1-1/4
189	17000512	21546180	VIS 5/16-18 X 3/4
191	416500	21546678	INSERTION DE LENTILLE
194	73900500	21546789	CONTRE-ÉCROU COLLETTTE 5/16-18
196	414579	21546663	ASSEMBLAGE DU CONSOLE
205	188265X428	21546262	PANNEAU PLUS BAS (C.D.)
206	188266X428	21546263	PANNEAU PLUS BAS (C.G.)
213	74760512	21546804	BOULON 5/16-18 UNC X 3/4
217	409167	21546636	TIGE DE PIVOT DU CAPOT
218	196395	21546400	BONDE DU CAPOT
228	195161	21546343	ATTACHE À TENON
235	406129	21546619	ENTRETOISE DU PARE-CHOC
236	73930500	21546793	CONTRE-ÉCROU 5/16-18
287	17600406	21546204	VIS 1/4-20 X 3/8
297	188267	21546264	INSERT DE LENTILLE

**Remarque:** Toutes les dimensions de composant sont données en pouces E.-U. --1 pouce = 25,4 mm

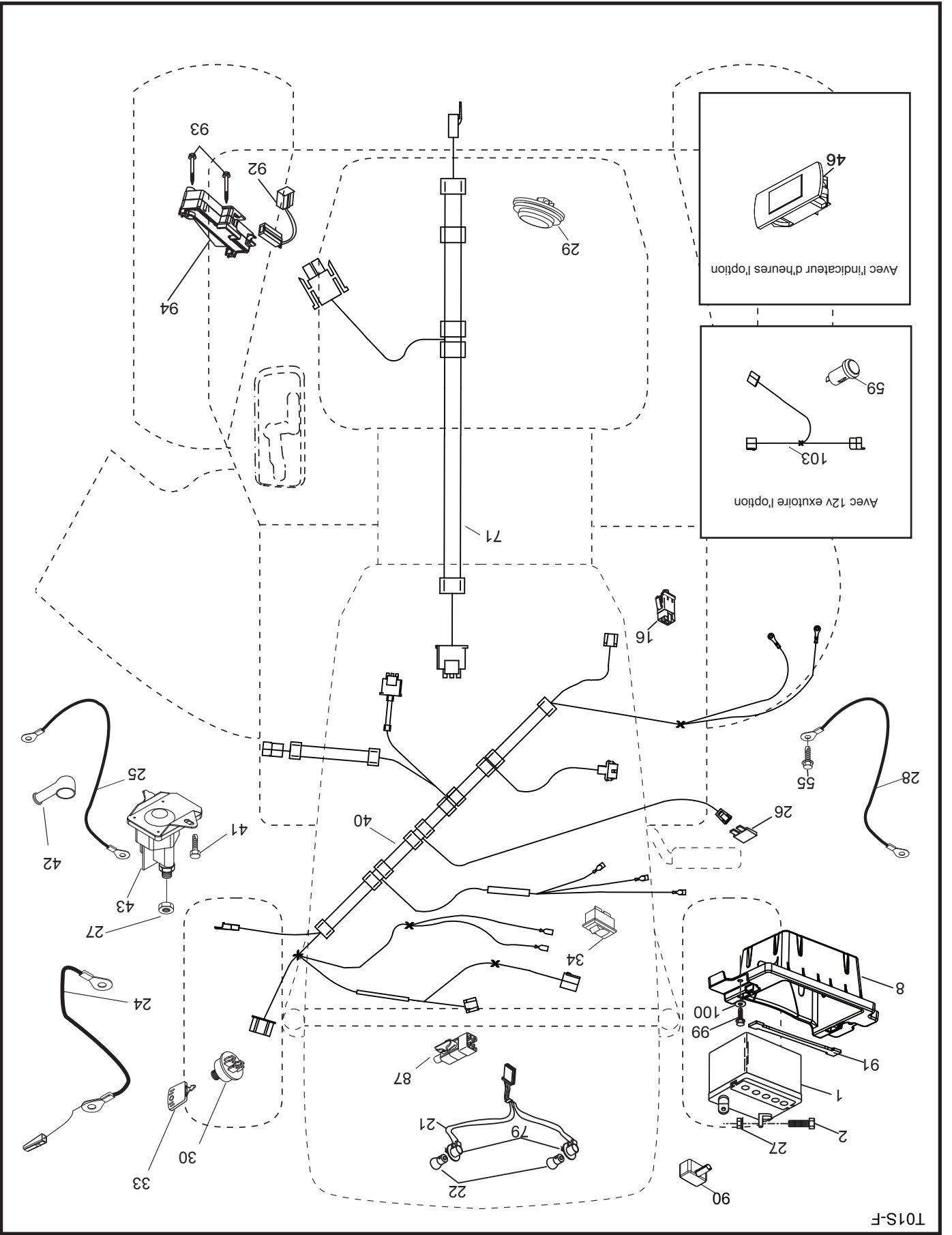


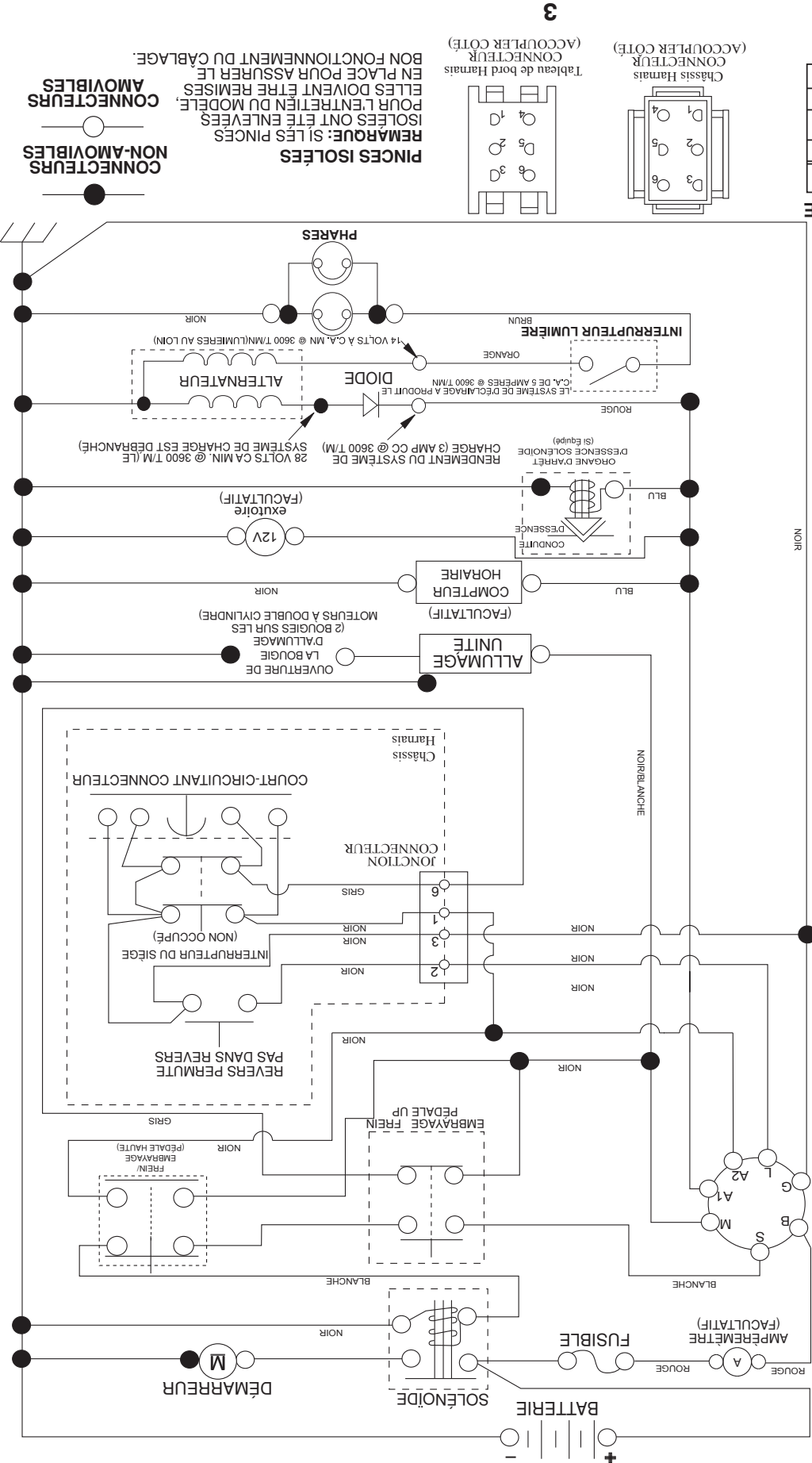
NO. PIÈCE	NO. DE	D'OBJ. FAB.	ARIENS	DESCRIPTION
1	163465		21546162	BATTERIE 12V
2	74760412		21546803	BOULON 1/4-20 UNC X 3/4
8	186491		21546233	BAC DE BATTERIE
16	176138		21546205	INTERRUPTEUR D'ENCLANCHÉMENT GRIS
21	183759		21546226	HARNAIS DES PRISES DE COURANT DES PHARES (4152J)
22	4152J		21546673	AMPPOULE #1156
24	400253		21546556	CÂBLE DU TABLEAU DU BORD
25	412894		21546646	CÂBLE DU DÉMARRÉUR
26	175158		21546200	FUSIBLE.20 AMPÈRE
27	73510400		21546779	ÉCROU 1/4-20 UNC
28	145491		21546112	CÂBLE NOIR.22". BATTERIE ARRIÈRE
29	401545		21546574	INTERRUPTEUR DE SIÈGE
30	193350		21546319	INTERRUPTEUR D'ALLUMAGE
33	411935		21546640	CLÉ/CHAÎNE
34	110712X		21546050	L'INTERRUPTEUR DES PHARES
40	401098		21546568	HARNAIS D'ALLUMAGE
41	17720408		21546210	VIS 1/4-20 X 1/2
42	131563		21546082	COUVERCLE DE BORNE.ROUGE
43	192507		21546294	SOLÉNOÏDE AVEC PLONGEUR LATON
55	17060512		21546187	VIS 5/16-18 X 3/4
71	194276		21546323	HARNAIS D'ALLUMAGE
79	175242		21546201	PRISE DE COURANT D'AMPPOULE
87	197802		21546457	INTERRUPTEUR DE VERROUILLAGE DE CÂBLE D'EMBRAYAGE
90	400724		21546559	COUVERCLE DU BORNE DE BATTERIE
91	190270		21546274	SANGLE DE BATTERIE
92	196615		21546412	HARNAIS
93	192540		21546295	VIS
94	191834		21546849	MODULE
100	19091416		21546277	RONDELLE 9/32 X 7/8 X 16 JA.

**Remarque:** Toutes les dimensions de composant sont données en pouces E.-U. --1 pouce = 25,4 mm

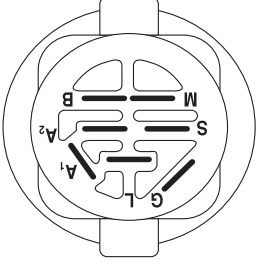


T01S-F



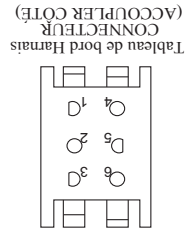
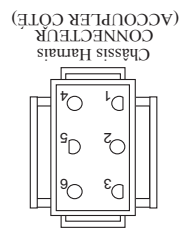


CONTACTEUR D'ALLUMAGE



**REMARQUE**  
 VOTRE TRACTEUR EST ÉQUIPÉ D'UN SYSTÈME D'ALTERNATEUR SPÉCIAL AU LIEU D'ÊTRE BRANCHÉS SUR LA BATTERIE, LES PHARES DISPOSENT DE LEUR PROPRE SOURCE D'ÉNERGIE ÉLECTRIQUE, DONC LA BRILLANCE DES PHARES CHANGERA EN FONCTION DE LA VITESSE DU MOTEUR. AU RALENTI, LA BRILLANCE DES PHARES BAISSERA; QUAND LE MOTEUR EST ACCÉLÉRÉ, LA BRILLANCE ATTEINDRA SON MAXIMUM.

POSITION	CIRCUIT "FAITS"
ARRÊT	M + G + A1
MARCHE/ ALLUMAGE	B + A1
MARCHE	B + A1
DEMARRAGE	B + S + A1



3

**PINCES ISOLÉES**  
 REMARQUE: SI LES PINCES ISOLÉES ONT ÉTÉ ENLEVÉES, ELLES DOIVENT ÊTRE REMISES EN PLACE POUR ASSURER LE BON FONCTIONNEMENT DU CABLAGE.

**CONNECTEURS AMOVIBLES**

**CONNECTEURS NON-AMOVIBLES**

# COMMENT UTILISER CE MANUEL

Ce manuel a été dessiné pour fournir le client avec les moyens d'identification des pièces de détachées du tracteur quand il/elle a besoin de commander les pièces de rechange. Les illustrations ne peuvent pas représenter exactement le modèle que vous avez acheté. N'utilisez pas ce manuel comme un guide dans le montage et/ou démontage de votre tracteur. La visserie montrée est plus grande pour faciliter l'identification.

Chaque tracteur a un numéro de modèle particulier.

Le numéro de modèle du produit se trouvera sur l'aile, dessous le siège.

Lorsque vous commandez des pièces de rechange, donnez toujours les renseignements suivants:

- Produit - "Tracteur"
- Numéro du Modèle - "93604200 / A20BH42 (96046001100)"
- Numéro de la Pièce
- Description de la Pièce

## TABLE DE MATIERES

SCHEMA.....	3
ELECTRIQUE.....	4-5
CHASSIS/ENCEINTES.....	6-7
ENTRAÎNEMENT.....	8-9
MOTEUR.....	10-11
ENSEMBLE DE LA DIRECTION.....	12-13
CARTER DE TONDEUSE.....	14-15
LEVIER DE LEVAGE DE LA TONDEUSE.....	16-17
ENSEMBLE DU SIÈGE.....	18-19
DECALCOMANIES.....	20-21
GARANTIE.....	22-23
L'ENTRETIEN ET LES PIÈCES DE RECHANGE.....	24



# TRACTEUR DE HYDROSTATIQUE

Manuel Des Pièces



**Modèles**  
93604200 42" Tracteur De Hydrostatique

