



HYDRO TRACTOR

Parts Manual

Models
42" Hydro Tractor



GB ENGLISH

532 44 15-76 02.16.11
Printed in the U.S.A.

HOW TO USE THIS MANUAL

This manual is designed to provide the customer with a means to identify the parts on his/her tractor when ordering repair parts. The illustrations may or may not represent the actual assemblies; therefore, it is not recommended to use this manual as a guide to assemble or disassemble the tractor. Some hardware and parts are drawn larger in order to more readily identify them.

Each tractor has its own model number.

The model number for your tractor can be found on the fender under the seat.

When ordering parts, always give the following information:

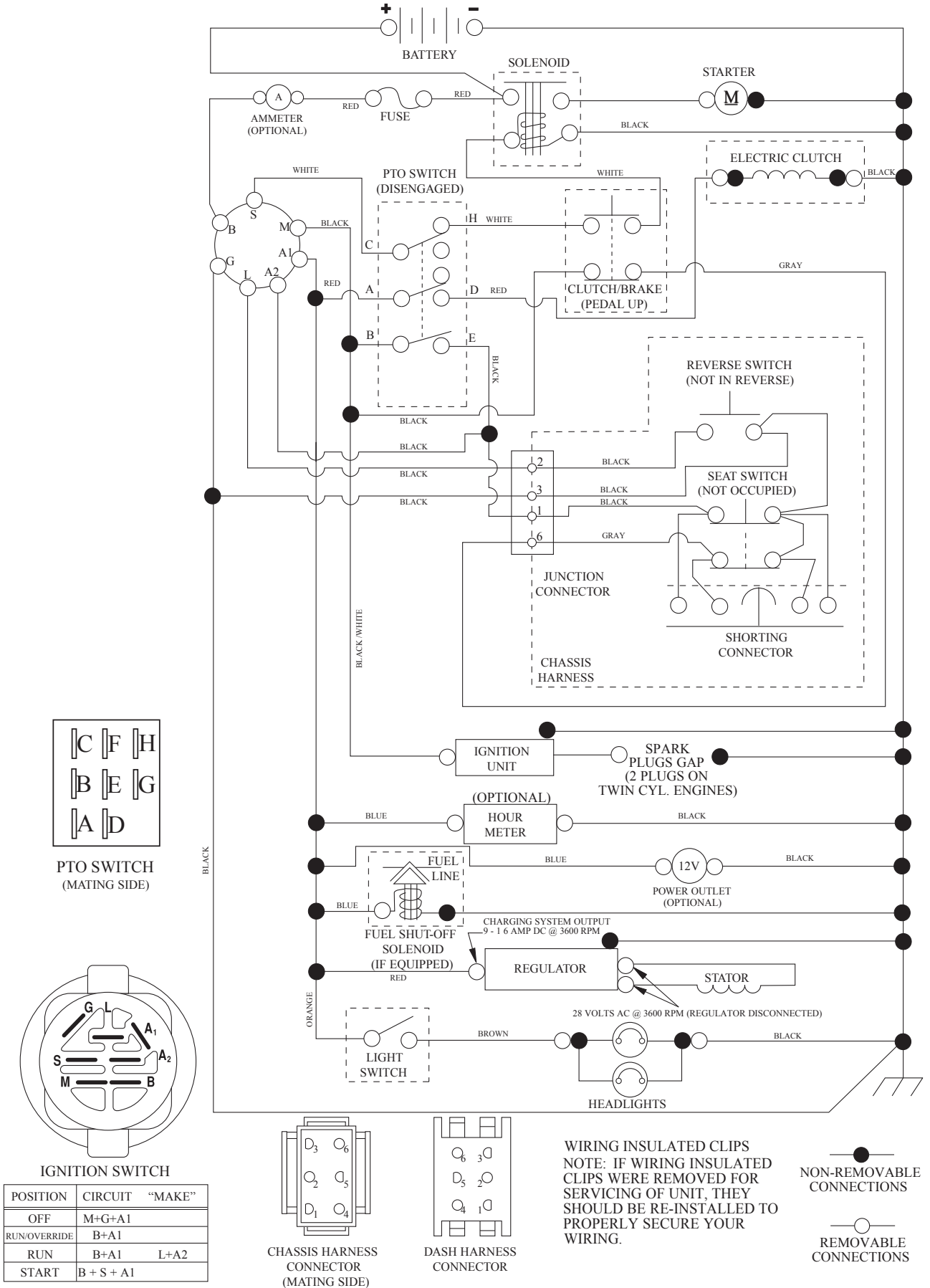
- Product - "Tractor"
- MODEL NUMBER - " (96046003200)"
- Part Number
- Part Description

TABLE OF CONTENTS

SCHEMATIC	3
ELECTRICAL.....	4-5
CHASSIS	6-7
DRIVE.....	8-9
ENGINE.....	10-11
STEERING	12-13
MOWER DECK	14-15
MOWER LIFT.....	16-17
SEAT	18-19
DECALS.....	20-21
PARTS AND SERVICE.....	BACK COVER

TRACTOR - MODEL NUMBER (96046003200), PRODUCT NUMBER 960 46 00-32 SCHEMATIC

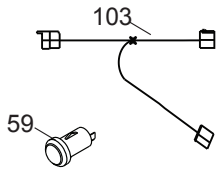
SCH12



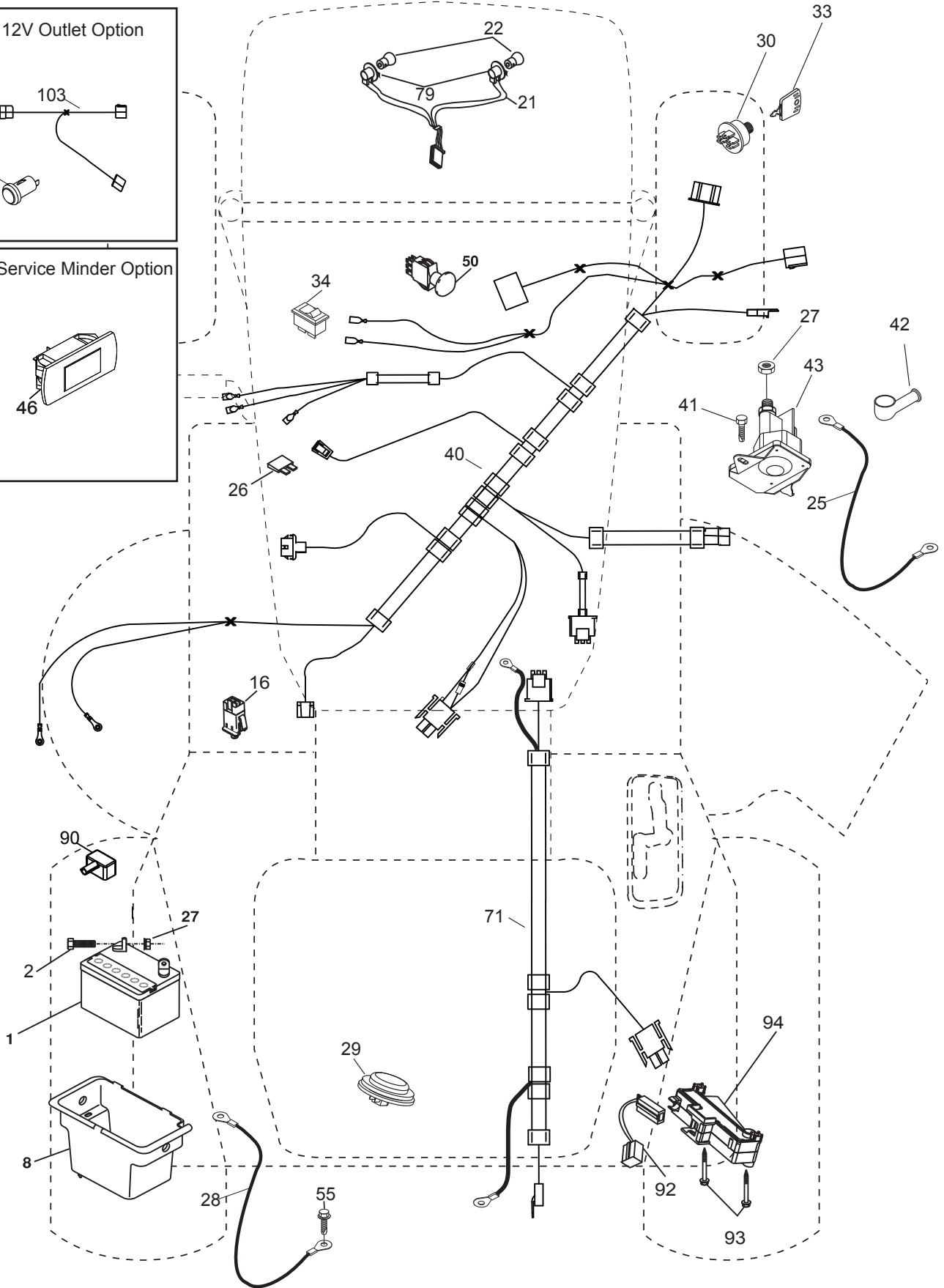
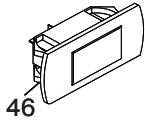
**TRACTOR - MODEL NUMBER (96046003200), PRODUCT NUMBER 960 46 00-32
ELECTRICAL**

T08S

With 12V Outlet Option



With Service Minder Option

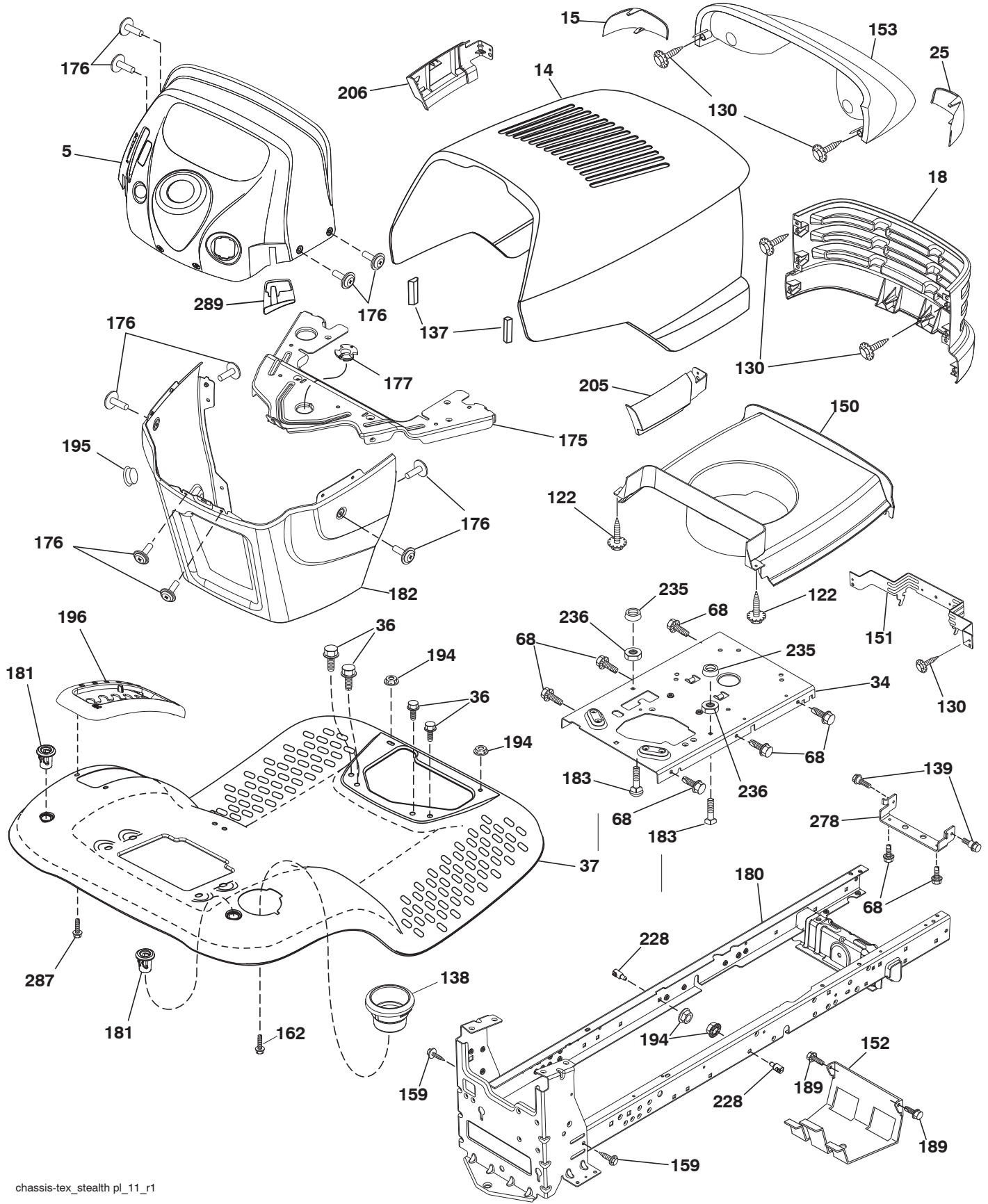


**TRACTOR - MODEL NUMBER (96046003200), PRODUCT NUMBER 960 46 00-32
ELECTRICAL**

ITEM NO.	MFG. NO.	ARIENS PART NO.	DESCRIPTION
1	532 16 34-65	21546162	BATTERY.12.VOLT.28.AMP.WET
2	874 76 04-12	21546803	BOLT HEX HD 1/4-20 UNC X 3/4
8	532 19 32-28	21546315	BOX.BATTERY.MOUNT.FRONT.LT
16	532 17 61-38	21546205	SWITCH.INTERLOCK.NONO.GRAY
21	532 17 56-88	21546226	HARNES.ASM.LIGHT.22"(4152J)
22	532 00 41-52	21546673	BULB.LIGHT.#1156
25	532 41 28-95	21547566	CABLE STARTER 6 G4. BL/RED 14.5
26	532 17 51-58	21546200	FUSE.20 AMP.
27	873 51 04-00	21546779	NUT, KEPS HEX 1/4-20 UNC
28	532 19 88-85	21546481	CABLE.BLACK.22"REAR BATT.TEX
29	532 40 15-45	21546574	SWITCH.SEAT.DELTA.OPC.9LB.
30	532 19 33-50	21546319	SWITCH.IGN.DLTA.P-IN.ROS
33	532 41 19-35	21546640	KEY/CHAIN.BLISTER PACK.GEN.CE
34	532 11 07-12	21546050	SWITCH.LIGHT/RESET.B/B/RED.
40	532 40 11-04	21546569	HARNES IGN ELEC RELAY
41	817 72 04-08	21546210	SCREW 1/4-20 X 1/2
42	532 13 15-63	21546082	COVER.TERMINAL.RED
43	532 19 25-07	21546294	SOLENOID.W/BRASS PLUNGER.2005
50	532 17 46-51	21546196	SWITCH.PTO.8 TERMINAL.BLACK
55	817 06 05-12	21546187	SCREW.5/16-18X3/4.SMGML.TAP/R
71	532 40 04-49	21546558	HARNES.IGN.CHASSIS.TEX
79	532 17 52-42	21546201	SOCKET ASM.BULB.TWISTLOCK
90	532 43 53-95	21547570	COVER TERMINAL BATTERY FR. TEX
92	532 19 66-15	21546412	HARNES.PIGTAIL.CONSOLE.ROS.MLK
93	532 19 25-40	21546295	SCREW.PLASTITE.10-14 X 2.0
94	532 19 18-34	21546849	MODULE.REVERSE.ROS

NOTE: All component dimensions given in U.S. inches
1 inch = 25.4 mm

**TRACTOR - MODEL NUMBER (96046003200), PRODUCT NUMBER 960 46 00-32
CHASSIS**



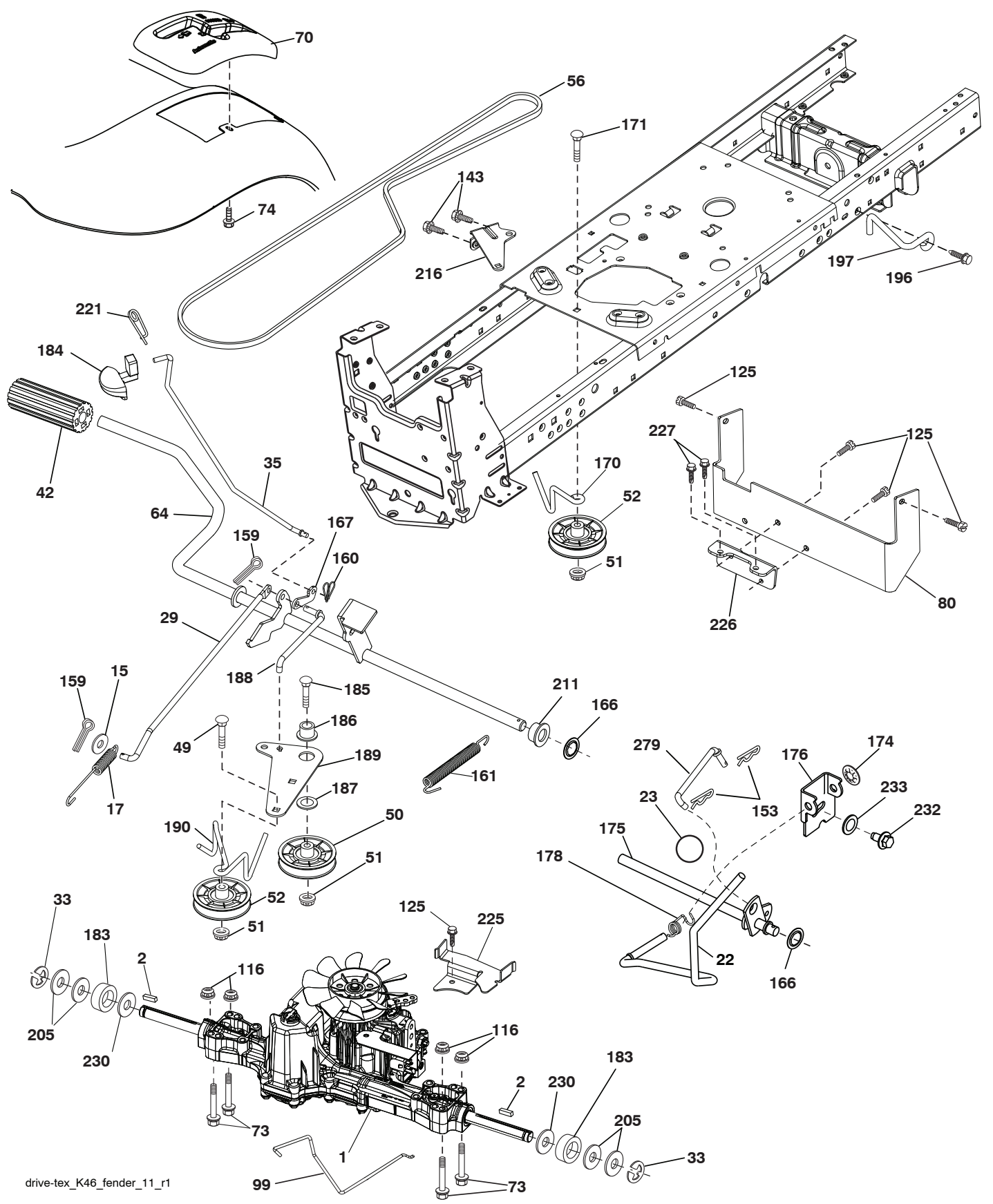
chassis-tex_stealth_pl_11_r1

**TRACTOR - MODEL NUMBER (96046003200), PRODUCT NUMBER 960 46 00-32
CHASSIS**

ITEM NO.	MFG. NO.	ARIENS PART NO.	DESCRIPTION
5	532 44 11-25	21547736	DASH P/L TEX CABLE
14	532 44 18-22	21547739	HOOD
15	532 16 18-41	21547543	LENS ELITE ARIENS BLACK
18	532 18 71-14	21547551	GRILLE ELITE ARIENS BLACK
25	532 16 18-42	21547544	LENS ELITE HUSQ CLEAR RH
34	532 19 61-25	21546384	PLATE.ENGINE.WELDED.CHASSIS
36	817 06 05-12	21546187	SCREW.5/16-18 X 3/4.SMGML.TAP/R
37	532 44 12-66	21547643	FENDER TLT W/CPH W/FW 422
68	817 49 05-08	21546199	SCREW.THDROL.5/16-18 X 1/2TYTT
122	532 19 25-12	21547529	SCREW TO 32 X 5/8
130	532 41 63-58	21546675	SCREW
137	532 16 46-55	21547545	BUMPER HOOD LARGE 1.75
138	532 40 97-30	21547560	CUPHOLDER TL TEX 428
139	532 17 18-73	21547301	BOLT SHOULDER 5/16-18
150	532 19 03-08	21547552	AIR DUCT ENGINE ELITE SV
151	532 17 02-00	21547546	BRACKET PIVOT LASR/ELTE/HUSQLT
152	532 19 95-35	21546501	SHIELD.BROWNING.W/TEX
153	532 43 92-58	21547530	ASM LIGHT BOX
159	817 00 06-12	21546181	SCREW.HEXWSH THDR3/8-16 X 3/4.BL
162	532 14 24-32	21546106	SCREW.HEX.WSH.HI-LO.1/4X1/2 UNC
175	532 19 32-36	21547554	CROSSMEMBER LT
176	532 40 07-76	21546562	SCREW.#10-24 X 5/8.RND.QUDRX.GIM
177	532 19 52-27	21546356	BUSHING.STEERING.YT/GT
180	532 19 54-57	21547555	CHASS. WLDMT TL 12 GA/2PC 18/22
181	532 40 47-96	21547557	BUSHING MNT FEND CRGO BLK TEX
182	532 19 25-51	21547553	DASH LOWER LT CCS
183	874 52 05-20	21547383	BOLT.FIN.HEX.5/16-18 UNC X1-1/4
189	817 00 05-12	21546180	SCREW.5/16-18X3/4.SMGML.TAP/BL
194	873 90 05-00	21546789	NUT, LOCK HEX FLANGE 5/16-18 UNC
195	532 40 41-37	21547532	PLUG HOLE DASH LOWER
196	532 43 95-30		CONSOLE ASM.DECKLFT.BL/RBT.TLT
205	532 18 71-11	21547549	SKIRT SIDE RH ELITE HUSQ 428
206	532 18 71-12	21547550	SKIRT SIDE LH ELITE HUSQ 428
228	532 19 51-61	21546343	STUD.FASTNER.W/D'ANTI-ROTATIO
235	532 40 61-29	21546619	SPACER.FENDER
236	873 93 05-00	21546793	NUT.CENTER LOCK.5/16-18 UNC
278	532 19 63-94	21547317	BRACKET.HOOD/MUFFLER
287	817 60 04-06	21546204	SCREW.HEX.WASHEAD.1/4-20 X 3/8
289	532 41 14-11	21547533	PLUG CRUISE CONTROL
--	532 41 17-08	21547534	PLUG DASH

NOTE: All component dimensions given in U.S. inches
1 inch = 25.4 mm

**TRACTOR - MODEL NUMBER (96046003200), PRODUCT NUMBER 960 46 00-32
DRIVE**



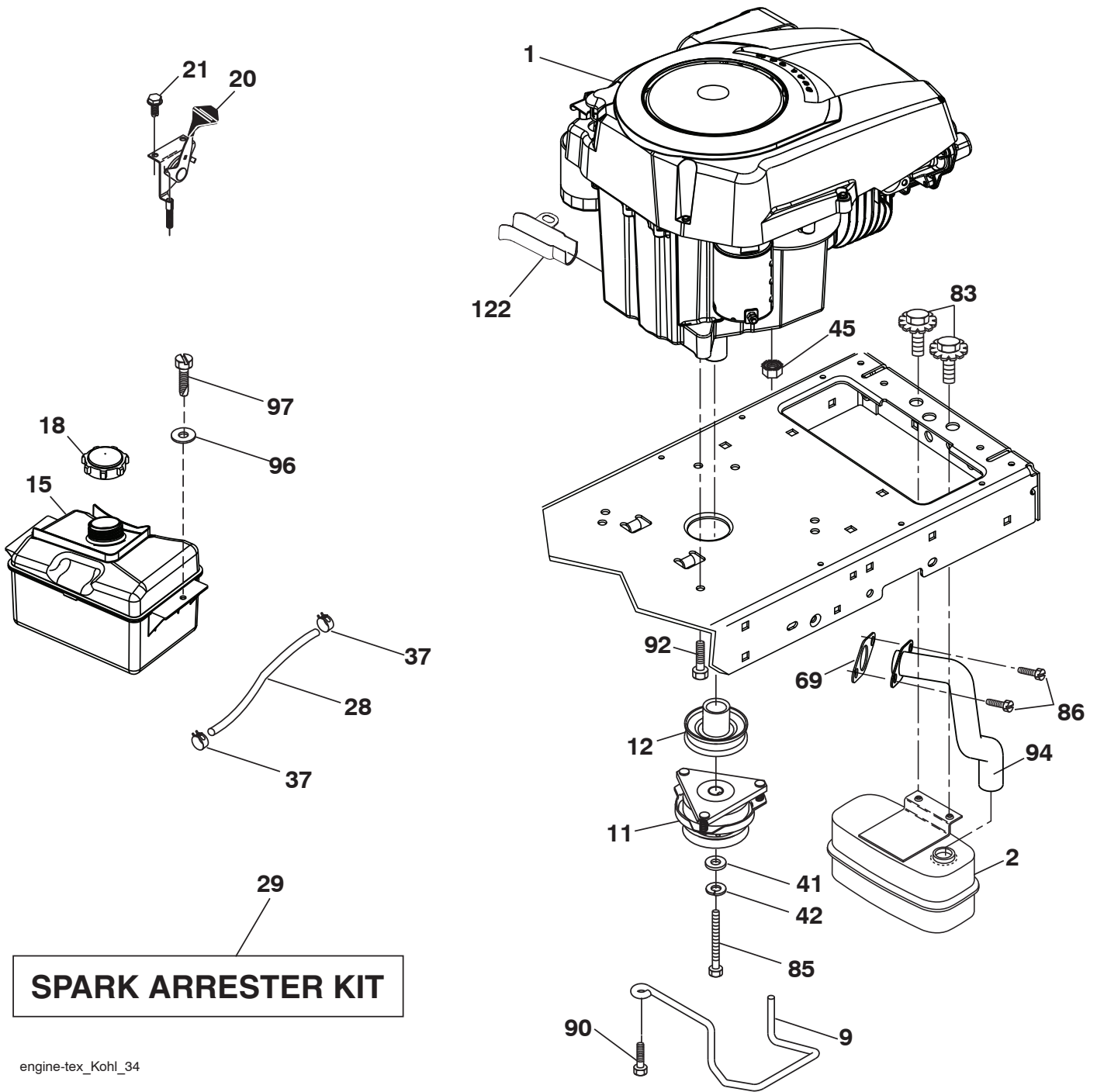
drive-tex_K46_fender_11_r1

**TRACTOR - MODEL NUMBER (96046003200), PRODUCT NUMBER 960 46 00-32
DRIVE**

ITEM NO.	MFG. NO.	ARIENS PART NO.	DESCRIPTION
1	532 40 82-14	21547794	TRANSAXLE, TUFFTORQ K46BA
2	532 12 35-83	21546070	KEY.SQUARE.2.0 X .1845/.1865
15	819 13 13-16	21546284	WASHER.13/32 X 13/16 X 16 GA.
17	532 41 36-78	21546654	SPRING.BRAKE.K46.GREEN
22	532 19 76-60	21546450	ROD.SHIFT.FENDER.TLT.2006
23	532 14 08-45	21546844	KNOB DELUXE 1/2-13 UNC
29	532 40 38-06	21546593	ROD.BRAKE.K46
33	812 00 00-01	21546051	E-RING.#5133-75
35	532 19 72-75	21547556	ROD BRAKE PARKING LT TEX
42	532 12 48-72	21547538	COVER PEDAL BLK ROUND
49	872 11 06-14	21546766	BOLT.RDHD.3/8-16 UNC X 1-3/4.GR5
50	532 19 43-27	21546331	IDLER.FLAT.910"OFFSET
51	873 90 06-00	21546790	NUT, HEX, FLANGELOCK 3/8-16
52	532 19 43-26	21546330	IDLER.V-GROOVE.910"OFFSET
56	532 13 09-69	21546080	V-BELT.MOWER.92.40.42/K46
64	532 19 62-00	21546387	SHAFT ASM.PEDAL.BRAKE CONTROL
70	532 41 13-29	21547563	CONSOLE SHIFT STL HYD BLACK TX
73	874 49 05-44	21546798	BOLT HEX FLGHD 5/16-18 GR.5
74	532 14 24-32	21546106	SCREW.HEX.WSH.HI-LO.1/4X1/2UNC
80	532 44 06-19	21547733	STRAP.TORQUE.K46/18"TEX
99	532 41 57-42	21546674	ROD.SPRING.BYPASS.K46.LT.Z
116	873 90 05-00	21546789	NUT, LOCK HEX FLANGE 5/16-18 UNC
125	817 00 05-12	21546180	SCREW.5/16-18 X 3/4.SMGML.TAP/BL
143	817 49 05-08	21546199	SCREW.THDROL.5/16-18 X 1/2TYTT
153	532 12 47-88	21547536	RETAINER SPRING
159	876 02 04-12	21546820	PIN.COTTER.1/8 X 3/4.CAD.
160	532 16 94-84	21546178	RETAINER.CLIP(M).DIA.290
161	532 10 57-09	21546028	SPRING.RETURN.CLUTCH.6.75
166	532 42 91-64	21547349	NUT PUSH .625
167	532 40 52-57	21546608	LATCH.BRAKE.PARKING
170	532 19 43-22	21547311	KEEPER BELT CENTERSPAN
171	872 11 06-16	21546767	BOLT 3/8-16 UNC X 2
174	532 19 72-89	21546431	NUT.PUSH..500
175	532 40 62-08	21547558	SHAFT ASM SHIFT
176	532 19 62-14	21546394	ARM.CLEVIS.ROD.SHIFT
178	532 19 74-56	21546445	SPRING.SHIFT.GT.2006
183	532 13 70-57	21546087	SPACER.AXLE.HYDRO/PEERLES
184	532 44 16-36	21547738	HANDLE PARKING BRAKE LT TEX 667
185	872 11 06-22	21546768	BOLT.RDHD.3/8-16 UNC X 2-3/4 GR5
186	532 19 43-21	21546328	SPACER.RETAINER
187	819 13 32-10	21546287	WASHER.13/32 X 2 X 10 GA.
188	532 19 43-23	21546329	LINK.CLUTCH.GROUND DRIVE
189	532 19 43-17	21546324	BELLCRANK.GROUNDRIE.NSTG/NSTL
190	532 19 43-18	21546325	KEEPER.BELLCRANK.DRIVE.GROUND
196	817 00 06-16	21546182	SCREW 3/8-16 X 1
197	532 19 58-04	21546374	LINK CLUTCH ANTI-ROTAION
205	532 12 17-48	21546066	WASHER.25/32 X 1-5/8 X 16 GA.
211	532 19 62-12	21546393	BUSHING.SHAFT.BRAKE.HAND CONTR
216	532 19 61-31	21546385	BRACKET.PULLEY.IDLER.WTEX
221	532 40 31-87	21546588	RETAINER.SPRING.CLIPHANDLE
225	532 40 33-19	21546589	KEEPER.BELT.TRANSAXLE.K46
226	532 40 15-64	21546575	BRACKET.MOUNT.TORQUE.K46.TLT
227	817 49 05-12	21547613	SCREW 5/16-18 X 3/4
230	532 18 89-67	21546272	WASHER.HARDEN..793 X 1.637 X 060
232	874 78 07-16	21546818	BOLT.FIN HEX.7/16-14X1 GR5
233	532 40 52-96	21546609	WASHER.SERRATED
279	532 40 62-07	21547580	LINK SHIFT T/A

NOTE: All component dimensions given in U.S. inches
1 inch = 25.4 mm

**TRACTOR - MODEL NUMBER (96046003200), PRODUCT NUMBER 960 46 00-32
ENGINE**

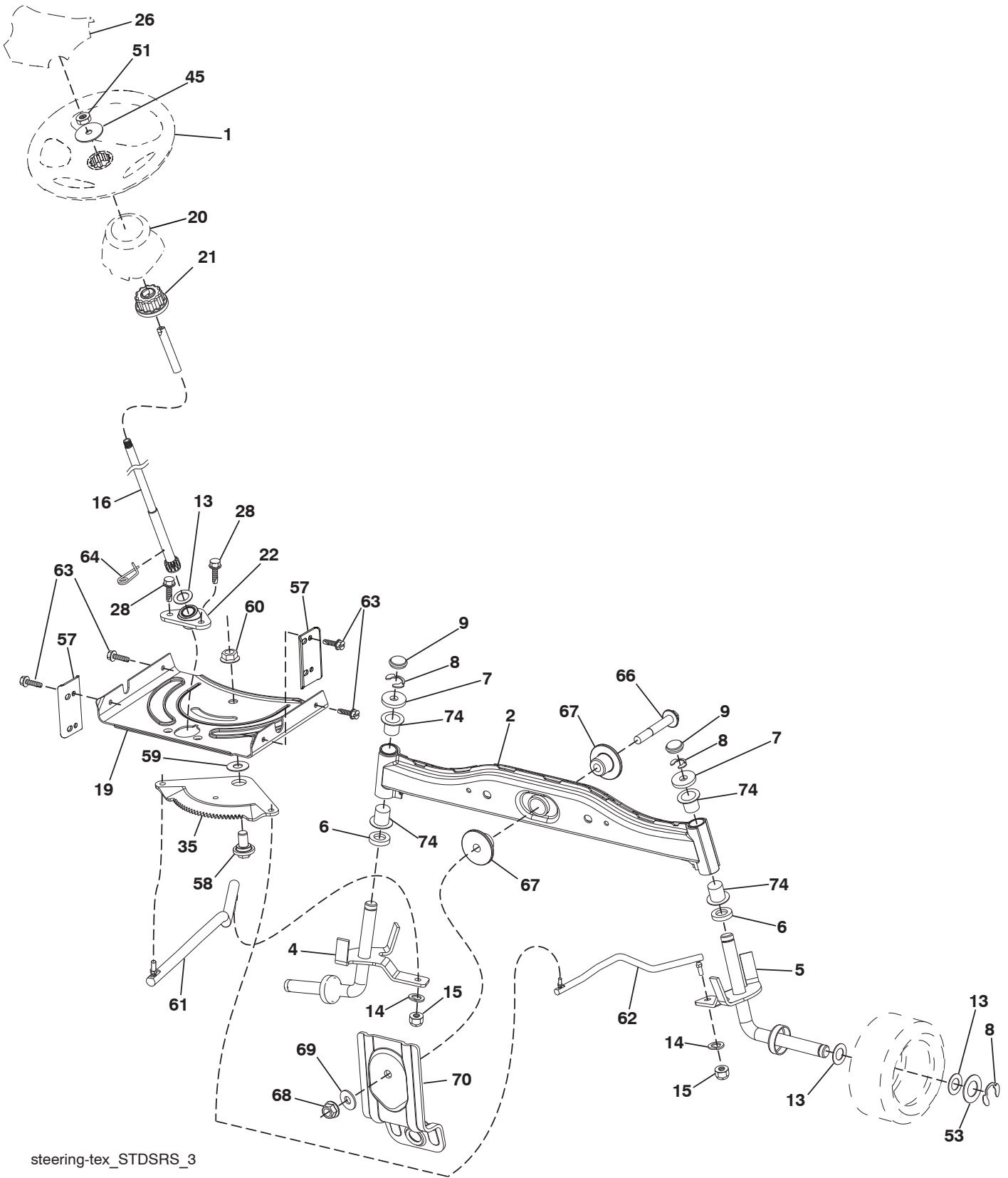


**TRACTOR - MODEL NUMBER (96046003200), PRODUCT NUMBER 960 46 00-32
ENGINE**

ITEM NO.	MFG. NO.	ARIENS PART NO.	DESCRIPTION
1	532 44 21-94		ENGINE KOHL MODEL NO. SV590-3229
2	532 18 86-55	21546118	MUFFLER ASM
9	532 19 43-20	21546327	KEEPER.BELT.ENGINE.4.25"NSTG
11	532 18 05-05	21547726	CLUTCH.OGURA
12	532 40 50-97	21546604	PULLEY.ENGINE.TUFFTORQE.1"CRK.
15	532 40 74-89	21547581	TANK FUEL
18	532 43 02-20	21547418	CAP FUEL
20	532 40 15-08	21547796	CONTROL THROTTLE/CHOKE
21	532 41 63-58	21546675	SCREW
28	532 40 11-37	21546571	LINE.FUEL.22"FRONT.EMIS.CA.LP
29	532 13 71-80	21546090	KIT.SPARK ARRESTOR(392390 B&S)
37	532 12 34-87	21546069	CLAMP.HOSE.BLK.
41	532 12 61-97	21546077	WASHER.1-1/2 ODX15/32 IDX.250
42	810 04 07-00	21546004	WASHER.LOCK.HVY HLCL.SPR.7/16
45	873 51 04-00	21546779	NUT, KEPS HEX 1/4-20 UNC
69	532 18 59-09	21546232	GASKET MUFFLER
83	532 17 18-77	21546190	BOLT.5/16-18 UNC X 3/4 W/SEMS.BLK
85	532 17 39-37	21546191	BOLT.HEX.7/16-20 X 4 X GR. 5-1.5THR.
86	532 19 23-34	21547307	SCREW SOCKET HEAD 5/16-18 X .75
90	817 00 06-16	21546182	SCREW.3/8-16X1.SMGML.TAP/R.BLK
92	817 12 06-16	21546188	SCREW 3/8-16 X 1
94	532 18 86-54	21546268	TUBE EXHAUST
96	819 09 14-16	21546277	WASHER 9/32 X 7/8 X 16 GA
97	817 67 04-12	21546207	SCREW 1/4-20 X 3/4
122	532 42 19-22	21547116	EXTENSION DRAIN OIL

NOTE: All component dimensions given in U.S. inches
1 inch = 25.4 mm

**TRACTOR - MODEL NUMBER (96046003200), PRODUCT NUMBER 960 46 00-32
STEERING ASSEMBLY**



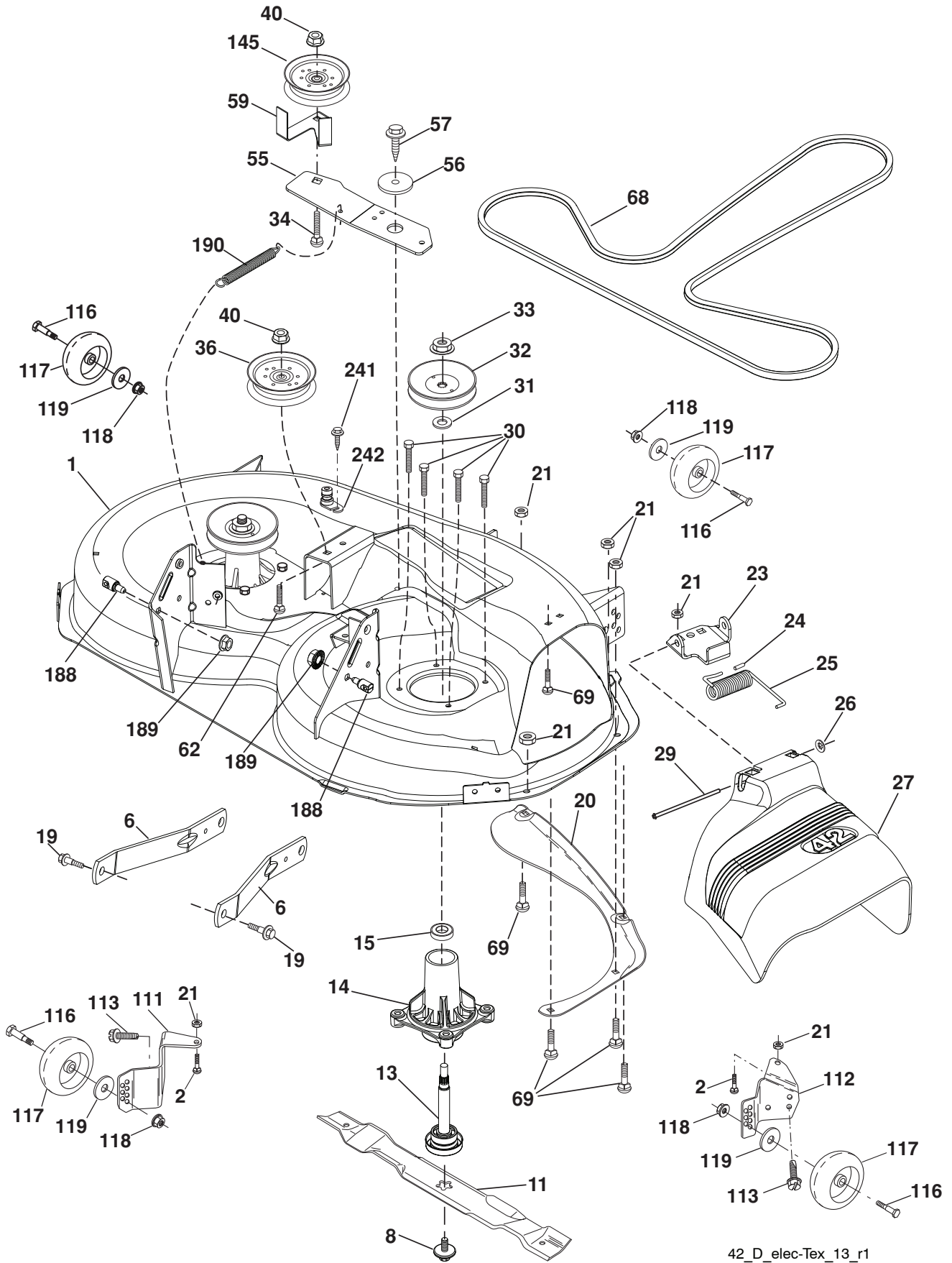
steering-tex_STDSRS_3

**TRACTOR - MODEL NUMBER (96046003200), PRODUCT NUMBER 960 46 00-32
STEERING ASSEMBLY**

ITEM NO.	MFG. NO.	ARIENS PART NO.	DESCRIPTION
1	532 42 41-46	21547582	WHEEL STEERING
2	532 41 81-68	21546681	AXLE ASM.WELDED
4	532 40 30-87	21546582	SPINDLE.WELDED.LH.15"TEX
5	532 40 30-88	21546583	SPINDLE.WELDED.RH.15"TEX
6	532 12 49-31	21547540	WASHER THRUST .75 X 1.230
7	532 12 17-48	21546066	WASHER.25/32 X 1 1/4 X 16GA.
8	812 00 00-29	21546053	RING.KLIP.#T5304-75
9	532 12 12-32	21546064	CAP.SPINDLE.FR.TOP.BLK.
13	532 12 17-49	21546067	WASHER.25/32 X 1 1/4 X 16 GA.
14	810 04 06-00	21546003	WASHER, LOCK 3/8
15	873 54 06-00	21546782	NUT.CROWNLOCK.3/8-24
16	532 40 82-19	21546628	SHAFT.STEER.3/4 TEX.NON-PLATED
19	532 19 47-29	21546334	PLATE.STEER.DDL.NLT/NGT
20	532 41 14-25	21547564	BOOT STEERING LT TEX P/L .428
21	532 18 67-37	21546234	ADAPTER.WHEEL.STRG..760
22	532 42 05-37	21547007	STEERING SUPT. LOWER
26	532 42 46-91	21547568	CAP WHEEL STEERING HRS/SRS BLACK
28	817 00 06-12	21546181	SCREW.HEXWSH THDR 3/8-16 X 3/4.BL
35	532 19 47-32	21546335	GEAR SECTOR.PLATE.DDL.NLT/NGT
45	819 11 38-12	21546280	WASHER.11/32ID X2 3/8OD X 12GA
51	873 94 08-00	21546795	NUT.HEX.JAM.TOPLOCK.1/2-20 UNF
53	532 18 89-67	21546272	WASHER.HARDEN..793 X 1.637 X 060
57	532 40 74-65	21546623	BRACKET.UPSTOP.TEX
58	532 19 47-47	21546339	BOLT.SHOULDER.SECTOR.PIVOT.CFM
59	532 19 47-48	21546340	WASHER.THRUST.SECTOR.STEER.NLT
60	873 97 10-00	21546797	NUT.FLANGE LOCK.5/8-11
61	532 19 47-40	21546337	DRAGLINK.LH.BALLSTUD.DDL.
62	532 19 47-41	21546338	DRAGLINK.RH.BALLSTUD.DDL
63	817 00 05-12	21546180	SCREW.5/16-18X3/4.SMGML.TAP/BL
64	532 19 98-49	21546512	RETAINER.CLIP.SPRING.STEERING
66	871 02 07-48	21546754	BOLT.HEX.FGHD.7/16-14 X 3.SERR
67	532 19 47-37	21546336	BUSHING.PM.FRONT AXLE
68	873 90 07-00	21546791	NUT.LOCK.FLANGE.7/16-14.GR5
69	532 19 91-62	21546483	WASHER.1.5 X .505 X .118
70	532 19 61-97	21546386	BRACKET.DECK.SUSPENSION.FRONT
74	532 12 49-37	21547541	BEARING COL STRNG BLK

NOTE: All component dimensions given in U.S. inches
1 inch = 25.4 mm

**TRACTOR - MODEL NUMBER (96046003200), PRODUCT NUMBER 960 46 00-32
MOWER DECK**



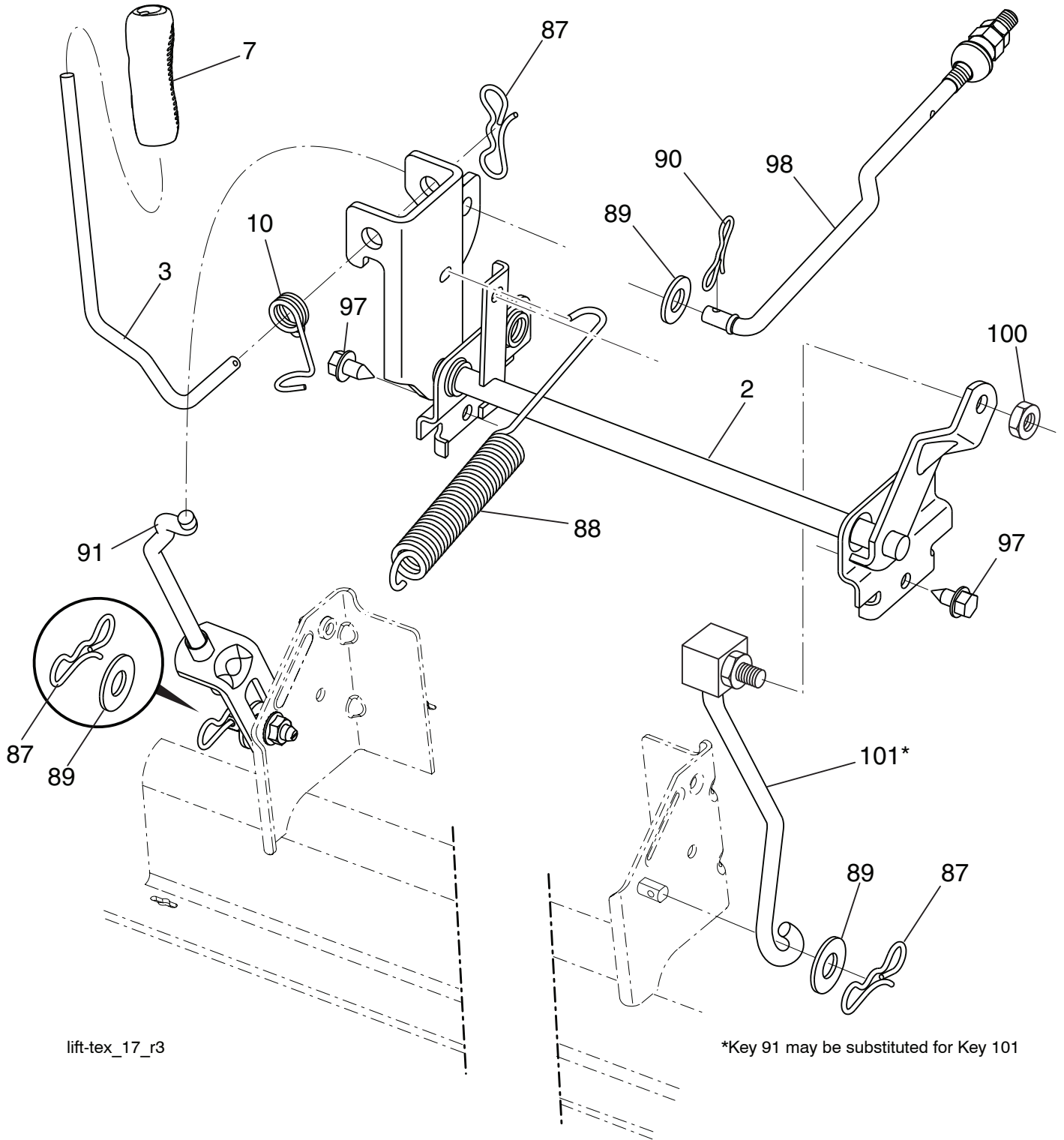
42_D_elec-Tex_13_r1

**TRACTOR - MODEL NUMBER (96046003200), PRODUCT NUMBER 960 46 00-32
MOWER DECK**

ITEM NO.	MFG. NO.	ARIENS PART NO.	DESCRIPTION	ITEM NO.	MFG. NO.	ARIENS PART NO.	DESCRIPTION
1	532 44 12-75	21547737	MOWER HOUSING	55	532 19 72-49	21546419	IDLER.ARM
2	872 14 05-06	21547167	BOLT 5/16-18 UNC X 3/4	56	532 19 90-92	21546482	SPACER.RETAINER
6	532 19 51-86	21546347	ARM.SUSPENSION. MOWER.REAR.LD	57	817 00 06-16	21546182	SCREW.3/8-16X1.SMGML. TAP/R.BLK
8	532 19 30-03	21546301	BOLT/WASHER ASM.7/16- 20.UNF	59	532 14 10-43	21546103	GUARD.TUV.IDLER
11	532 13 89-71	21546095	BLADE.MOWER.42"HI LIFT PREMIUM	62	872 11 06-16	21546767	BOLT.RD.HD.SQ.NK.3/8- 16UNC X 2
--	532 42 47-52	21547174	BLADE 3 N 1	68	532 14 49-59	21547188	BELT.DRIVE.
--	532 42 27-19	21547175	BLADE 3 N 1 PREMIUM	69	872 14 05-05	21546770	BOLT.RDHD.SQNK.5/16-18 X 5/8
--	532 13 41-49	21547024	BLADE MULCHING STANDARD	111	532 40 47-84	21547329	BRACKETWHEELGAUGELH
--	532 13 97-75	21547173	BLADE MULCHING PREMIUM	112	532 40 47-85	21547330	BRACKETWHEELGAUGERH
13	532 19 28-72	21546300	SHAFT ASM.MNDRL.N/ GREASEABLE38	113	817 00 05-10	21546179	BOLT.5/16-18 HEX.WHS. HD.LCKSERR
14	532 18 72-81	21546238	HOUSING.MANDREL.4PT. SERVICE	116	532 12 48-42	21547537	BOLT.SHLD."A"2.41."B"1.66
15	532 11 04-85	21546046	BEARING.BALL.MANDREL	117	532 18 86-06	21546267	WHEEL.GAGE.HALF. SPOKED
19	532 19 65-39	21546411	BOLT.SHOULDER	118	873 93 06-00	21546794	NUT.CENTERLOCK.3/8-16 UNC.
20	532 15 97-70	21546144	BAFFLE.VORTEX.42.STD/ HEAVY DTY	119	819 12 14-14	21546281	WASHER 3/8 X 7/8 X 14 GA.
21	873 68 05-00	21546784	NUT, HEX, CROWNLOCK 5/16-18	145	532 19 31-97	21546308	PULLEY IDLER
23	532 19 25-57	21546296	BRACKET. DEFLECTOR.38/42"2005	188	532 19 51-61	21546343	STUD.FASTNER.W/D'ANTI- ROTATIO
24	532 10 53-04	21546025	CAPSLEEVE..80 X.112.BLK. MOWER	189	873 90 05-00	21546789	NUT, LOCK HEX FLANGE 5/16-18 UNC
25	532 19 70-26	21546416	SPRING.TORSION. DFL.38/42/46.GR	190	532 19 72-51	21547318	SPRING MOWER DRIVE
26	532 11 04-52	21546045	NUT.PUSH.PHOS.& OIL	241	532 15 29-27	21547128	SCREW
27	532 40 30-04	21547728	SHIELD.DEFLECTOR. MOWER 42"BLK	242	532 41 55-98	21547345	PORT WASHOUT
29	532 13 14-91	21546081	ROD.HINGE.42/46"	--	532 41 64-05	21547347	COUPLING CONNECT
30	532 17 39-84	21546192	SCREW.THDROLL.DOD PT.HEX	--	532 19 28-70	21546299	MANDREL ASSEMBLY (INCL-UDES HOUSING, SHAFT ASSEMBLY, AND BEARING ONLY - PULLEY/ NUT/WASH-ER AND BLADE BOLT/WAS-HERS NOT INCLUDED)
31	532 18 76-90	21546253	WASHER.SPACER. MANDREL	--	532 41 82-66	21547729	DECK.SVC.42"HPE.4GWB. TEX.668
32	532 15 35-35	21546127	PULLEY.MANDREL.				
33	532 40 02-34	21546554	NUT.FLANGE.LOCK.TOP				
34	872 11 06-12	21546765	BOLT.CARR.SH.3/8-16 X 1-1/2.GR5				
36	532 19 73-79	21546440	PULLEY.IDLER.4.50.RAW				
40	873 90 06-00	21546790	NUT, HEX, FLANGELOCK 3/8-16				

NOTE: All component dimensions given in U.S. inches
1 inch = 25.4 mm

**TRACTOR - MODEL NUMBER (96046003200), PRODUCT NUMBER 960 46 00-32
MOWER LIFT**



lift-tex_17_r3

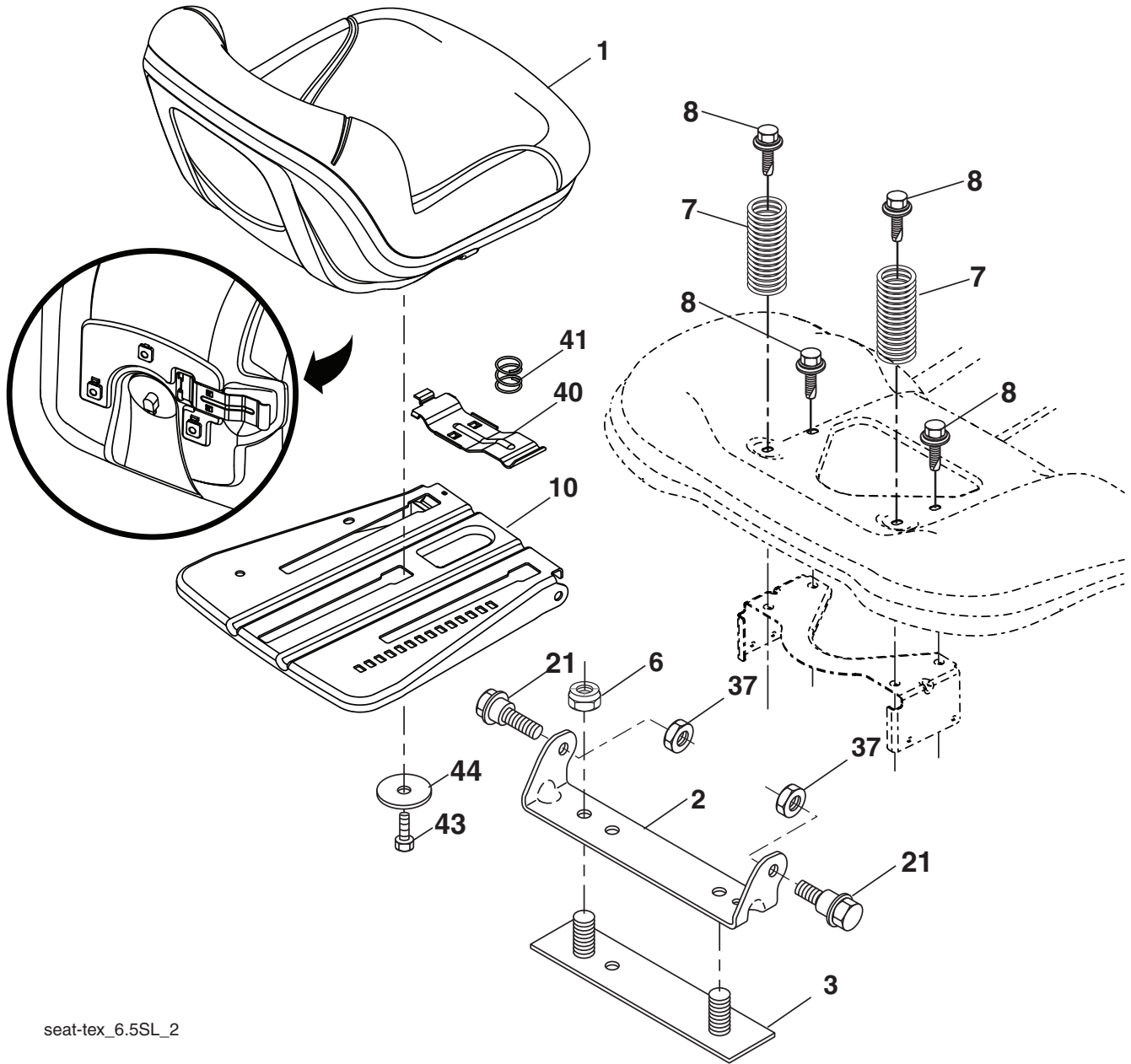
*Key 91 may be substituted for Key 101

**TRACTOR - MODEL NUMBER (96046003200), PRODUCT NUMBER 960 46 00-32
MOWER LIFT**

ITEM NO.	MFG. NO.	ARIENS PART NO.	DESCRIPTION
2	532 42 20-27	21547008	SHAFT ASM., LIFT
3	532 19 52-31	21546358	LEVER.LIFT.HANDLE.LT
7	532 41 15-55	21547565	GRIP LEVER 5625 LD BLACK 428
10	532 19 63-14	21546397	SPRING.TORSION.HANDLE.LIFT
87	532 19 42-09	21546322	PIN.COTTER.7/16.BOW TIE LOCK
88	532 41 07-10	21546638	SPRING.LIFT ASSIST
89	819 19 19-12	21546292	WASHER.CLEAR ZINC
90	532 19 42-08	21546321	PIN.COTTER.5/16.BOW TIE LOCK
91	532 19 51-81	21546344	LINK ASM.LIFT.LH.REAR
97	817 00 06-12	21546181	SCREW.HEXWSH THDR3/8-16 X 3/4.BL
98	532 19 52-70	21546360	LINK ASM.SUSP.FRONT.MWR.11
100	873 93 06-00	21546794	NUT.CENTERLOCK.3/8-16 UNC
101	532 40 70-03	21546620	LINK ASM.LIFT.FIXED.38/42/46"

NOTE: All component dimensions given in U.S. inches
1 inch = 25.4 mm

**TRACTOR - MODEL NUMBER (96046003200), PRODUCT NUMBER 960 46 00-32
SEAT ASSEMBLY**



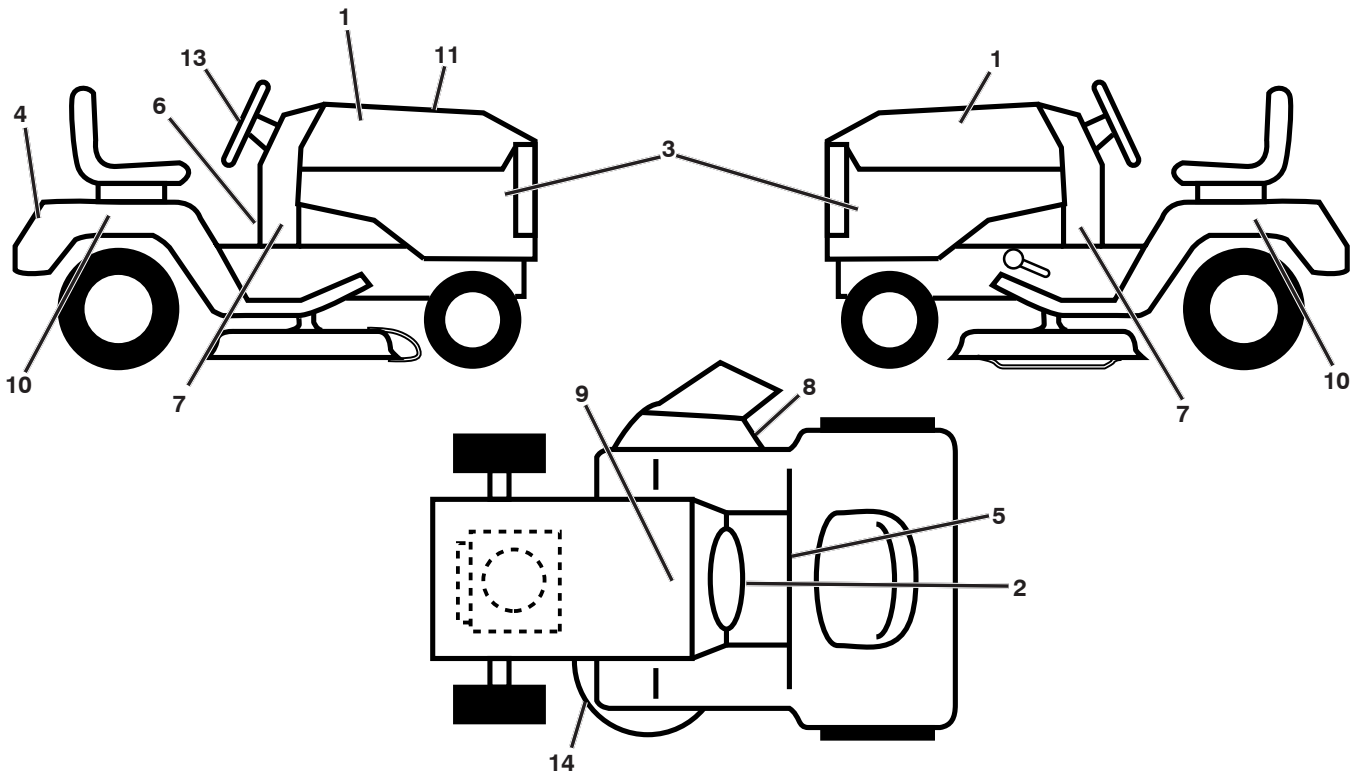
seat-tex_6.5SL_2

**TRACTOR - MODEL NUMBER (96046003200), PRODUCT NUMBER 960 46 00-32
SEAT ASSEMBLY**

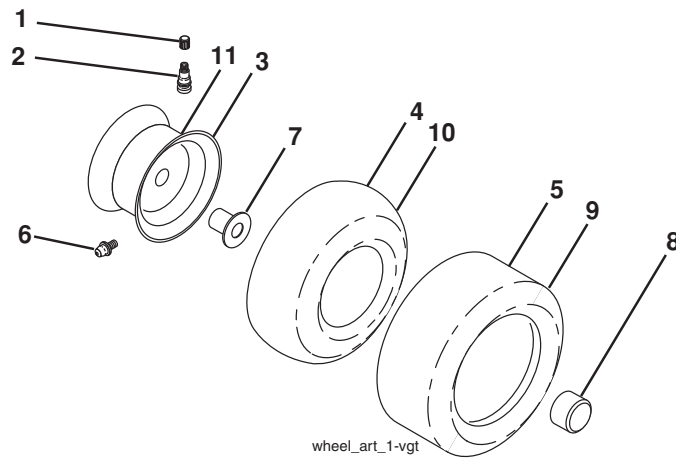
ITEM NO.	MFG. NO.	ARIENS PART NO.	DESCRIPTION
1	532 42 30-10	21546703	SEAT.TA150.KB/SLD.BLK.ARIENS
2	532 18 01-66	21546216	BRACKET.PIVOT.FENDER.2002
3	532 14 06-75	21546101	STRAP ASM.FENDER.94
6	873 80 06-00	21546787	LOCKNUT, WASHER INSERT 3/8-16
7	532 12 41-81	21546074	SPRING.SEAT.CPRSN.2.250.BLK.ZI
8	532 17 18-77	21546190	BOLT.5/16-18 UNC X 3/4 W/SEMS.BLK
10	532 19 69-77	21546414	PAN ASM.SEAT.3PT.
21	532 17 18-52	21546189	BOLT.SHLD.5/16-18 UNC-2A.BLK D
37	873 80 05-00	21546786	LOCKNUT, WASHER INSERT 5/16-18
40	532 19 76-61	21546451	HANDLE.SLIDE.SEAT.TEX.MILSCO
41	532 19 82-00	21546473	SPRING.LATCH.SEAT.TEX
43	874 76 06-12	21546810	BOLT.FIN.HEX.3/8-16 UNC X 3/4
44	819 13 38-12	21546288	WASHER.13/32 X 2 3/8 X 12 GA.

NOTE: All component dimensions given in U.S. inches
1 inch = 25.4 mm

**TRACTOR - MODEL NUMBER (96046003200), PRODUCT NUMBER 960 46 00-32
DECALS**



WHEELS AND TIRES



**TRACTOR - MODEL NUMBER (96046003200), PRODUCT NUMBER 960 46 00-32
DECALS**

ITEM NO.	MFG. NO.	ARIENS PART NO.	DESCRIPTION
1	532 44 15-85	21547674	DECAL HOOD RH PRECISION ARIENS
2	532 41 16-58	21546639	DECAL, FENDER
3	532 43 91-28	21547669	DECAL.SDPNL.PWRDBY KOHL.ARIENS
4	532 43 91-24	21547668	DECAL.FENDER.REAR.ARIENS
5	532 42 28-16	21546695	DECAL.FLAG
6	532 43 52-86		DECAL, WARNING SPARK
7	532 43 91-29	21547797	DECAL DASH LOWER
8	532 17 05-63	21546186	DECAL.MOWER.WARN.KEEP HAND AWY
9	532 14 50-05	21546109	DECAL.BAT.DAN/POI P/L SYM.WPN
10	532 43 93-42	21547670	DECAL FENDER SIDE HYDRO ARIENS
11	532 44 24-40		DECAL REPLACEMENT
13	532 43 91-23	21547667	DECAL.WHEEL.STEER.ARIENS
14	532 16 03-96	21546145	DECAL.V-BELT.SCH.42/46"MEC/ELE
--	532 41 12-73	21547561	PAD FOOTREST
--	532 16 69-60	21546177	DECAL.BYPASS.FENDER.CRD/LT/YT
--	532 40 95-05	21547559	PAD FOOTREST LH TLT BLACK .428
--	532 44 15-75		MANUAL, OPERATORS (ENGLISH/FRENCH)
--	532 44 15-76		MANUAL, PARTS (ENGLISH)

NOTE: All component dimensions given in U.S. inches
1 inch = 25.4 mm

ITEM NO.	MFG. NO.	ARIENS PART NO.	DESCRIPTION
1	532 05 91-92	21546747	CAP, VALVE, TIRE
2	532 06 51-39	21546751	STEM, VALVE
3	532 43 96-73		RIM ASM.6"FRONT.BLACK.SERVICE
4	532 05 99-04	21546748	TUBE, FRONT
5	532 10 62-22	21546034	TIRE, FRONT
6	532 12 49-57	21546037	RIM ASM.6"FRONT.BLACK.SERVICE
7	532 12 49-59	21547542	BEARING FLANGE
8	532 17 50-39	21547547	CAP AXLE (FRONT WHEEL ONLY)
9	532 13 84-68	21546094	TIRE.R.TS.20 X 8-8.C.SERVICE
10	532 12 49-26	21547539	TUBE, REAR
11	532 44 08-81		RIM ASM.8"REAR.W.GRY.SRVCE.643
--	532 14 43-34	21546845	SEALANT, TIRE (10 OZ. TUBE)

NOTE: All component dimensions given in U.S. inches
1 inch = 25.4 mm

SERVICE NOTES

SERVICE NOTES



Ariens Company
 655 West Ryan Street
 Brillion, WI 54110-1072
 1-877-257-6920
 www.ariens.com

PARTS AND SERVICE

This product has been expertly engineered and carefully manufactured to rigid quality standards. As with all mechanical products, some adjustments or part replacement may be necessary during the life of your unit.

For parts and service, contact your local Ariens dealer. To find a dealer in your area, call 1-877-257-6920, or use the Dealer Locator on our web site, www.ariens.com.

- For replacement parts, have available the following information:
 - a. Model Number/Manufacturer's I.D. Number.
 - b. Description of part.

For Technical Assistance: call 1-877-257-6920.

For a Parts Manual, go to our website: www.ariens.com/corporate/Pages/customerservice.aspx

MODEL NUMBER _____

SERIAL NUMBER _____

DATE OF PURCHASE _____

THE MODEL AND SERIAL NUMBERS WILL BE FOUND ON A DECAL ATTACHED TO THE FENDER UNDER THE SEAT OF YOUR TRACTOR.

YOU SHOULD RECORD BOTH SERIAL NUMBER AND DATE OF PURCHASE AND KEEP IN A SAFE PLACE FOR FUTURE REFERENCE.

Ariens [®]		
<small>PRODUCT</small>	<small>MAINTENANCE LEVEL</small>	<small>SERIAL</small>
960460032	00	120108A001234
<small>MODEL</small>		
42" Hydro Tractor		
<small>FOR SERVICE CALL 1-877-257-6920</small>		
<small>CONFORMS TO ANSI B71.1-2003 SAFETY STANDARDS</small>		
<small>ASSEMBLED IN U.S.A.</small>		<small>424354</small>
<small>ORANGEBURG, SC 29116</small>		

MODEL NUMBER

SERIAL NUMBER