

**Repair Parts Manual**  
**Manuel De Pièces De Rechange**  
YTH2146 / 96048004200

Please read the operator's manual carefully and make sure  
you understand the instructions before using the machine.

Lisez très attentivement et soyez certain de comprendre  
ces instructions avant d'utiliser cette machine.



**English/French**



**581 55 37-24**

# HOW TO USE THIS MANUAL

This manual is designed to provide the customer with a means to identify the parts on his/her tractor when ordering repair parts. The illustrations may or may not represent the actual assemblies; therefore, it is not recommended to use this manual as a guide to assemble or disassemble the tractor. Some hardware and parts are drawn larger in order to more readily identify them.

Each tractor has its own model number.

The model number for your tractor can be found on the fender under the seat.

When ordering parts, always give the following information:

- Product - "TRACTOR"
- MODEL NUMBER - "YTH2146" (96048004200)"
- Part Number
- Part Description

## TABLE OF CONTENTS

SCHEMATIC .....	3
ELECTRICAL.....	4-5
CHASSIS .....	6-7
DRIVE.....	8-9
ENGINE.....	10-11
STEERING .....	12-13
MOWER DECK.....	14-15
MOWER LIFT.....	16
SEAT .....	17
DECALS.....	18

## COMO UTILIZAR ESTE MANUAL

Este manual está diseñado para brindarle al comprador un medio para identificar las piezas del tractor para cuando necesite hacer el pedido de un repuesto. Las ilustraciones pueden o no representar los ensambles reales; por lo tanto, no se recomienda utilizar este manual como una guía para ensamblar o desarmar el tractor. Algunos accesorios y piezas están dibujados en tamaños más grandes para identificarlos con mayor facilidad.

Cada tractor tiene su propio número de modelo.

El número de modelo del tractor se encuentra en el guardabarros debajo del asiento.

Cuando haga el pedido de una pieza, siempre brinde la siguiente información:

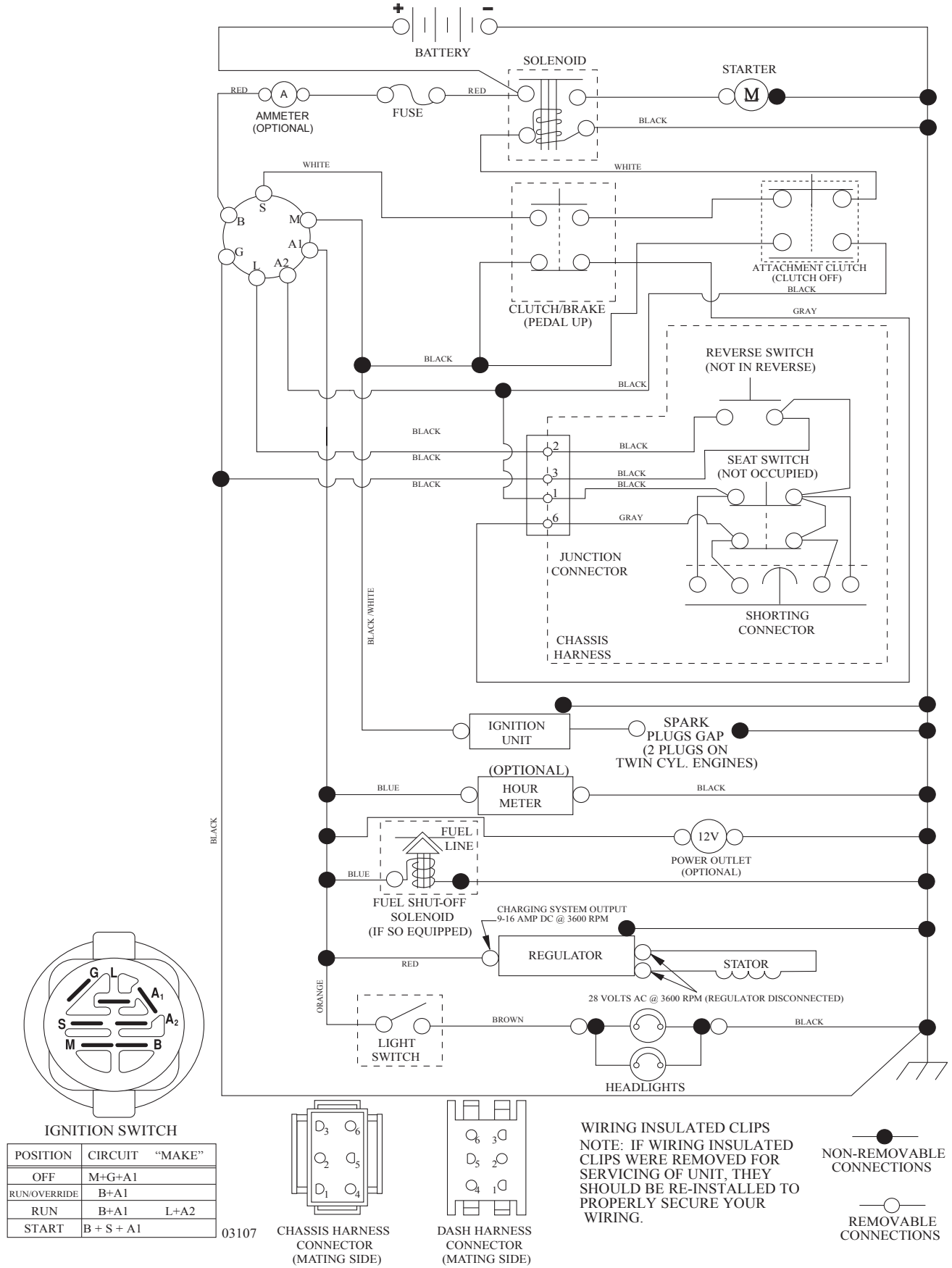
- Producto: "TRACTOR"
- NÚMERO DE MODELO: "YTH2146" (96048004200)"
- Número de pieza
- Descripción de la pieza

## ÍNDICE

DIAGRAMA.....	19
DIAGRAMA ELÉCTRICO .....	20-21
CHASIS.....	22-23
TRANSMISIÓN .....	24-25
MOTOR .....	26-27
DIRECCIÓN .....	28-29
PLATAFORMA DE LA CORTADORA DE CÉSPED.....	30-31
ELEVACIÓN DE LA CORTADORA DE CÉSPED.....	32
ASIENTO.....	33
CALCOMANÍAS.....	34

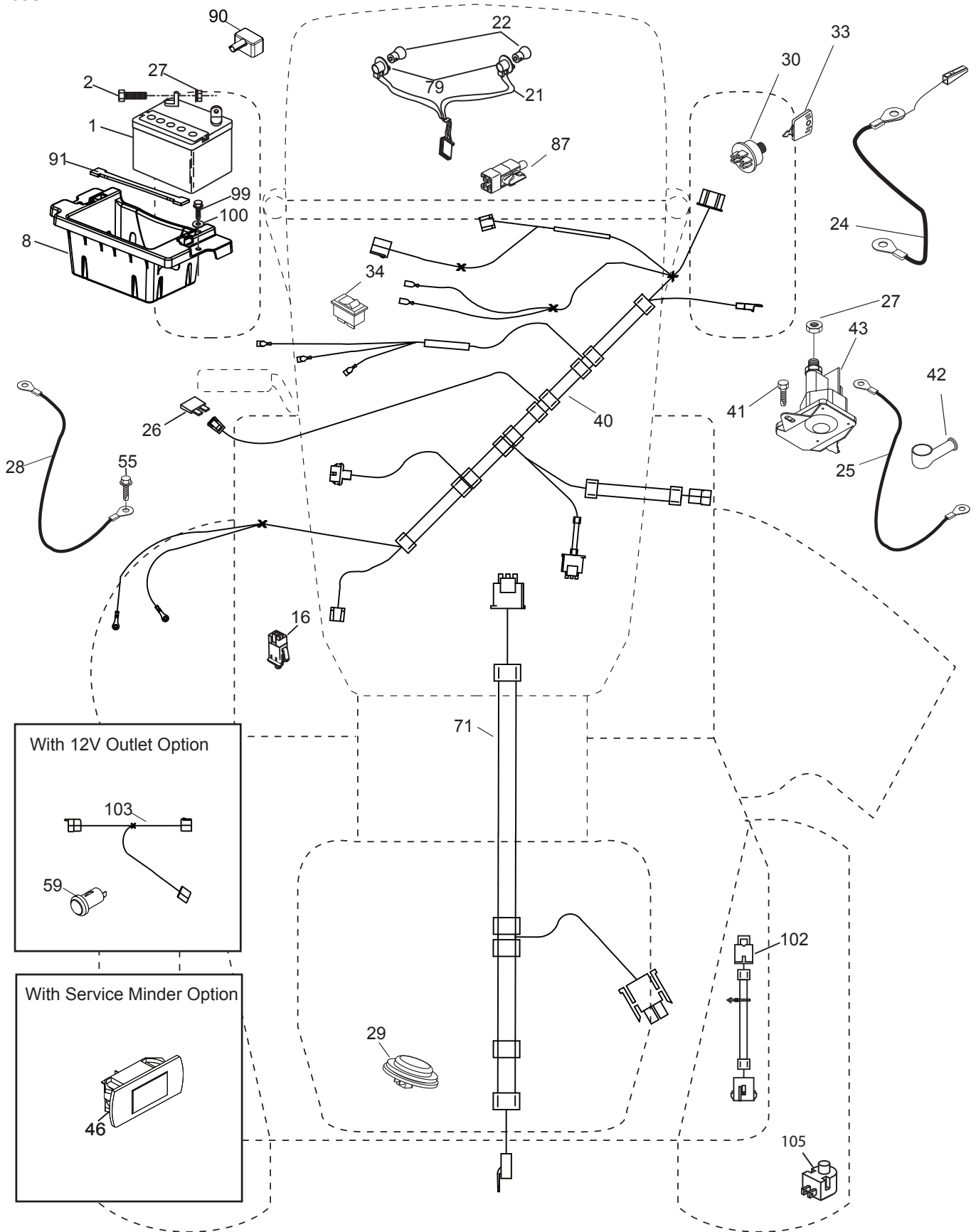
# TRACTOR - MODEL NO. YTH2146 (96048004200), PRODUCT NO. 960 48 00-42 SCHEMATIC

SCH10



**TRACTOR - MODEL NO. YTH2146 (96048004200), PRODUCT NO. 960 48 00-42  
ELECTRICAL**

T05S



With 12V Outlet Option

This inset shows the wiring for the 12V outlet option, featuring a 12V outlet (59) connected to a fuse (103).

With Service Minder Option

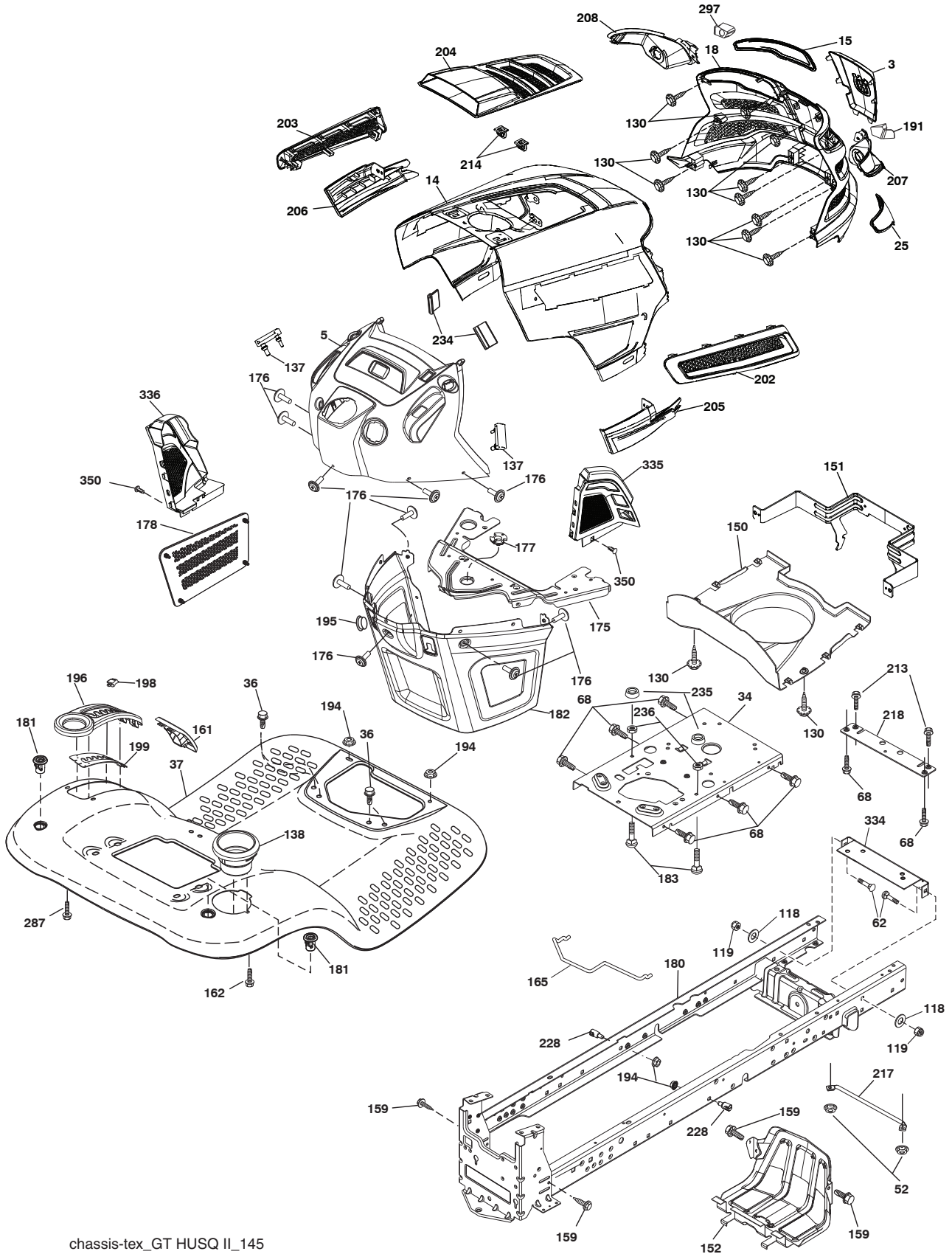
This inset shows the wiring for the service minder option, featuring a service minder device (46).

**TRACTOR - MODEL NO. YTH2146 (96048004200), PRODUCT NO. 960 48 00-42  
ELECTRICAL**

<b>KEY NO.</b>	<b>PART NO.</b>	<b>DESCRIPTION</b>
1	532 16 34-65	Battery
2	874 76 04-12	Bolt Hex Head 1/4-20 x 3/4
8	532 18 64-91	Box Battery
16	532 17 61-38	Switch Interlock Push-In
21	532 40 02-52	Harness Socket Light w/4152J
22	532 00 41-52	Bulb Light
25	532 41 28-95	Cable Starter
26	532 17 51-58	Fuse
27	873 51 04-00	Nut Keps Hex 1/4-20 unc
28	532 14 54-91	Cable, Ground
29	532 40 15-45	Switch, Seat
30	532 19 33-50	Switch, Ign
33	532 41 19-35	Key/Chain
34	532 11 07-12	Switch Light/Reset
40	532 40 10-98	Harness Ign. Dash
41	817 72 04-08	Screw Thd Cut 1/4-20 x 1/2
42	532 13 15-63	Cover, Terminal
43	532 19 25-07	Solenoid
46	532 40 17-63	Gauge Serviceminder Hrmtr
55	817 06 05-12	Screw Thdrol 5/16-18 x 3/4 TYTT
71	532 19 42-76	Harness Ign.
79	532 17 52-42	Socket Asm. Bulb
87	532 19 78-02	Switch Interlock
90	532 43 53-95	Cover Terminal
91	532 19 02-70	Strap Battery Mount Front
99	817 67 04-12	Screw Hexwsh Thdrol 1/4-20 x 3/4
100	819 09 14-16	Washer 9/32 x 7/8 x 16 Ga.
102	532 40 44-54	Harness Pigtail
105	532 40 75-68	Switch Reverse

**NOTE:** All component dimensions given in U.S. inches  
1 inch = 25.4 mm

TRACTOR - MODEL NO. YTH2146 (96048004200), PRODUCT NO. 960 48 00-42  
CHASSIS



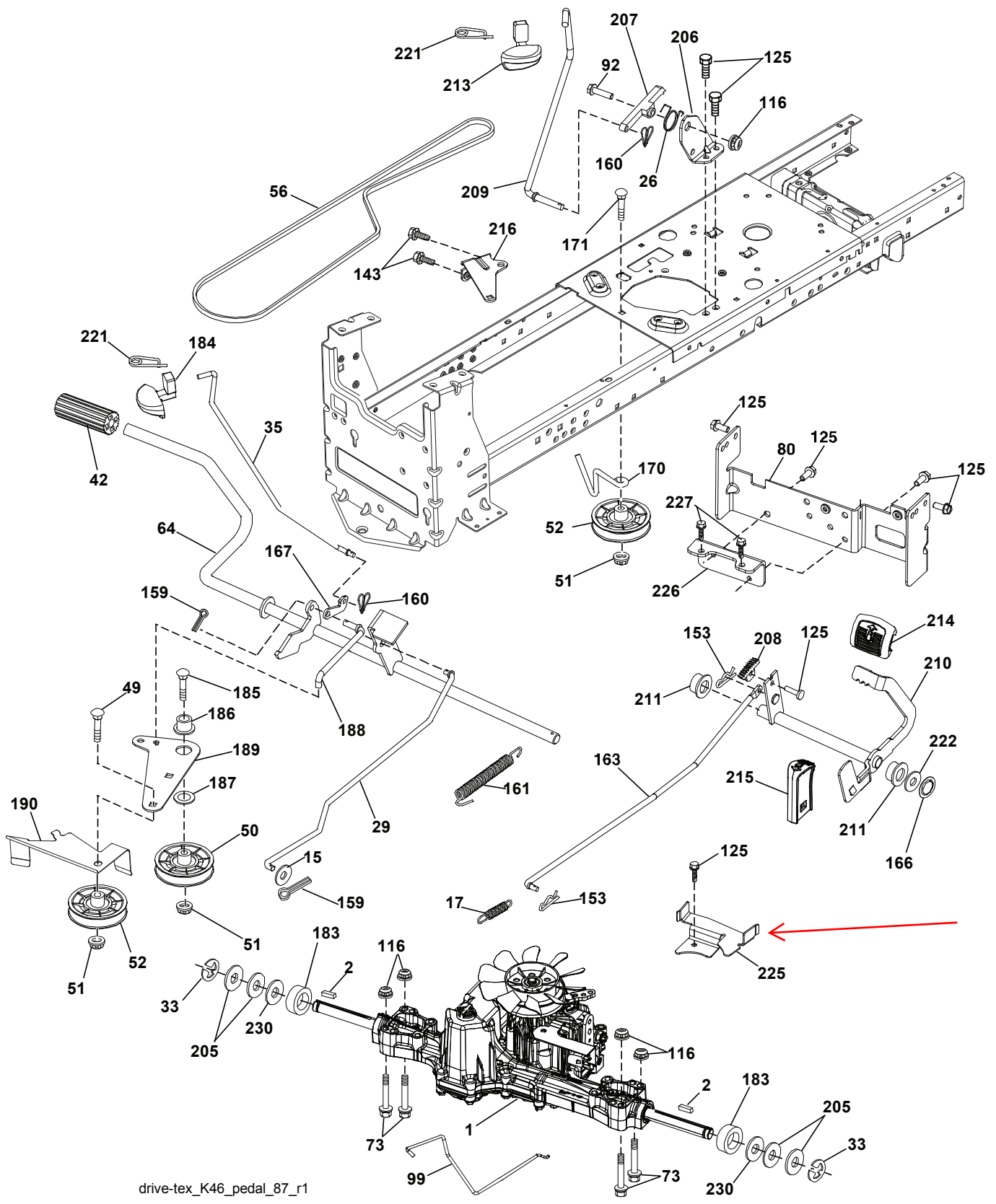
chassis-tex\_GT HUSQ II\_145

**TRACTOR - MODEL NO. YTH2146 (96048004200), PRODUCT NO. 960 48 00-42  
CHASSIS**

KEY NO.	PART NO.	DESCRIPTION	KEY NO.	PART NO.	DESCRIPTION
3	532 44 44-81	Applique Sub Asm.	191	532 43 74-55	Insert Reflective RH
5	581 46 69-01	Dash	194	873 90 05-00	Nut Lock Hex Flange 5/16-18
14	532 44 11-77	Hood	195	532 40 41-37	Plug Hole Dash Lower
15	532 43 97-33	Lens LH	196	532 43 96-47	Console Asm. Deck Lift
18	532 44 06-53	Grille	198	532 44 15-52	Indicator Deck Lift
25	532 44 33-85	Lens RH	199	532 41 34-85	Plate Deck
34	580 91 08-01	Plate Engine	202	532 43 97-28	Vent Side Hood RH
36	817 06 05-12	Screw 5/16-18 x 3/4	203	532 43 97-27	Vent Side Hood LH
37	532 44 12-69	Fender	204	532 43 57-14	Vent Top Hood
52	873 68 05-00	Nut Lock 5/16-18	205	532 43 97-30	Skirt Hood Side RH
62	872 11 06-08	Bolt Rdhd Sqnk 3/8-16 x 1 Gr. 5	206	532 43 97-29	Skirt Hood Side LH
68	817 49 05-08	Screw Thdrol 5/16-18 x 1/2	207	532 43 97-34	Bezel RH
118	819 13 13-16	Washer 13/32 x 13/16 x 16 Ga.	208	532 43 97-35	Bezel LH
119	873 68 06-00	Nut Crownlock 3/8-16 unc	213	874 76 05-12	Bolt 5/16-18 x 3/4
130	532 41 63-58	Screw #10 x 0.750	214	532 19 91-45	Clip Retainer Tinner
137	532 40 75-90	Bumper Dash	217	532 40 91-67	Rod Pivot
138	532 43 97-47	Cupholder	218	532 19 63-95	X-Piece Hood Stop
150	532 43 99-21	Air Duct	228	532 19 51-61	Stud Fastner
151	532 43 66-70	Bracket Pivot	234	532 40 47-42	Bumper Hood
152	532 43 98-70	Shield Browning	235	532 40 61-29	Spacer Fender
159	817 00 06-12	Screw Hexwsh Thrd 3/8-16 x 3/4	236	873 93 05-00	Nut Lock 5/16-18 unc
161	532 43 97-81	Console Fuel Window	287	817 60 04-06	Screw 1/4-20 x 3/8
162	532 14 24-32	Screw	297	532 43 74-56	Insert Reflective LH
165	532 19 68-26	Support Tank Rear	334	532 44 25-37	Bracket Engine
175	532 19 63-04	Crossmember	335	532 44 82-04	Cover RH
176	532 40 07-76	Screw 10-24 x 5/8	336	532 44 53-09	Cover LH
177	532 19 52-27	Bushing Steering	350	532 44 51-43	Clip X-mas Tree
178	532 19 97-82	Cargo Asm. Net	--	532 40 09-44	Bumper
180	532 19 54-57	Chassis			
181	532 43 97-46	Bushing			
182	532 40 68-59	Dash Lower			
183	874 52 05-20	Bolt 5/16-18 x 1-1/4			

**NOTE:** All component dimensions given in U.S. inches  
1 inch = 25.4 mm

TRACTOR - MODEL NO. YTH2146 (96048004200), PRODUCT NO. 960 48 00-42  
DRIVE



drive-tex\_K46\_pedal\_87\_r1

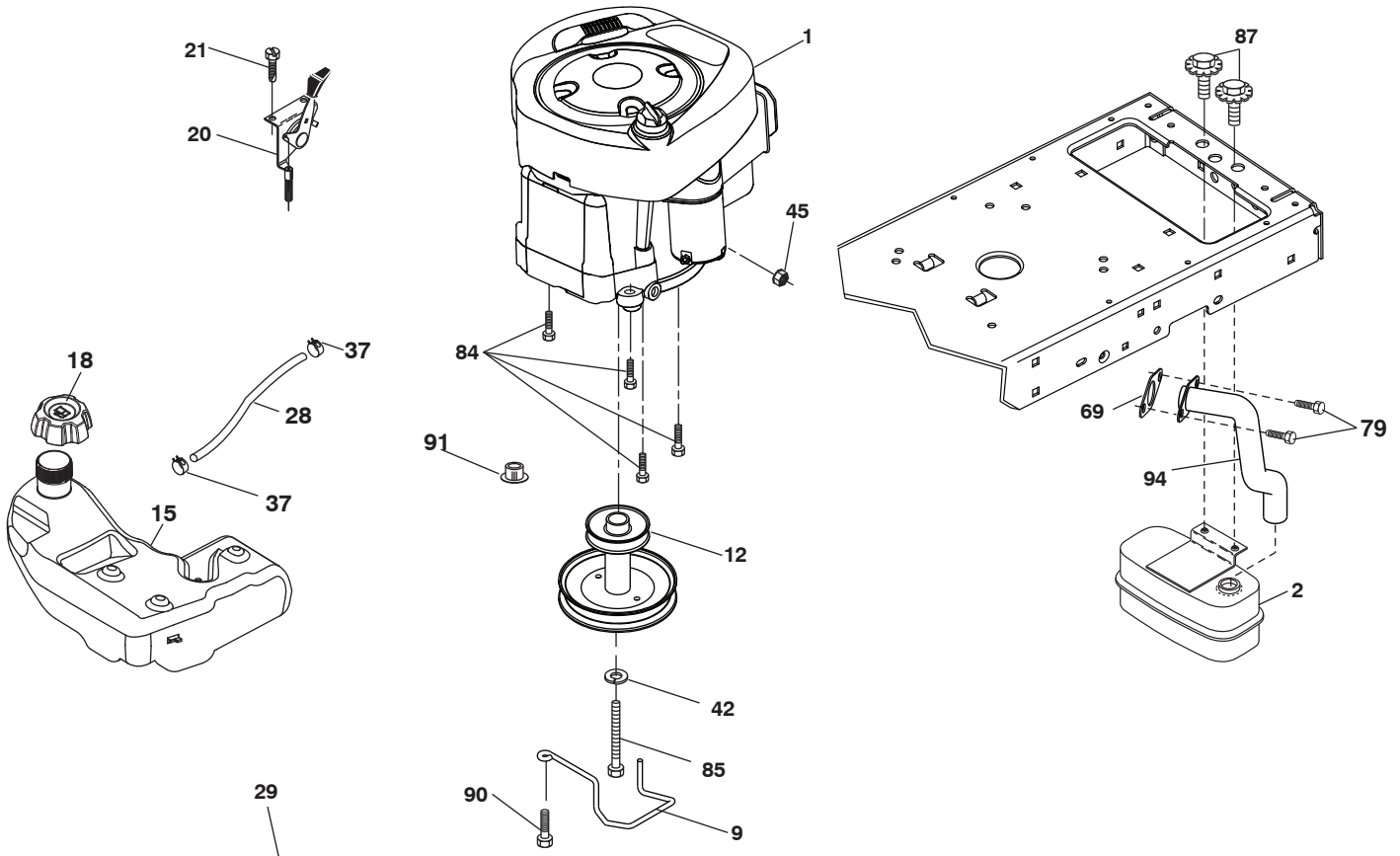


# TRACTOR - MODEL NO. YTH2146 (96048004200), PRODUCT NO. 960 48 00-42 DRIVE

KEY NO.	PART NO.	DESCRIPTION	KEY NO.	PART NO.	DESCRIPTION
1	---	Transaxle, TUFFTORQ K46BT (426120) (Order parts from transaxle manufacturer.)	171	872 11 06-16	Bolt 3/8-16 unc x 2
2	532 12 35-83	Key Square	183	532 13 70-57	Spacer Axle
15	819 13 13-16	Washer 13/32 x 13/16 x 16 Ga.	184	532 44 14-55	Handle Parking Brake
17	532 41 36-78	Spring, Brake	185	872 11 06-22	Bolt
26	532 19 96-79	Spring Return Cruise	186	532 19 43-21	Spacer Retainer
29	532 40 38-06	Rod, Brake	187	819 13 32-10	Washer
33	812 00 00-01	Ring E	188	532 19 43-23	Link Clutch Ground Drive
35	532 43 54-86	Rod, Brake, Park	189	532 19 43-17	Bellcrank Ground Drive
42	532 12 48-72	Cover, Foot Pedal	190	532 19 43-18	Keeper Bellcrank Ground Drive
49	872 11 06-14	Bolt	205	532 12 17-48	Washer 25/32 x 1-5/8 x 16 Ga.
50	532 19 43-27	Pulley Idler Flat	206	532 44 85-96	Bracket Mount Latch Cruise
51	873 90 06-00	Lock Nut 3/8-16	207	532 19 78-68	Latch Control Cruise
52	532 19 43-26	Idler V-Groove	208	532 19 78-69	Gear Sector Control Cruise
56	532 13 09-69	V-Belt, Drive	209	532 19 95-92	Rod Control Cruise
64	532 19 78-65	Shaft Asm. Pedal Brake Control	210	532 40 09-80	Rocker Asm. Pedal Control
73	874 49 05-40	Bolt Hex 5/16-18 x 2 1/2 G.5	211	532 12 01-83	Bearing Nylon
80	532 44 06-19	Strap Torque	213	532 40 31-19	Knob Control Cruise
92	874 76 05-20	Bolt Fin Hex 5/16-18 unc x 1.25	214	532 42 12-63	Pedal Forward
99	532 41 57-42	Rod Spring Bypass	215	532 40 17-23	Pedal Reverse
116	873 90 05-00	Nut Lock Hex Flange 5/16-18	216	532 19 61-31	Bracket Pulley Idler
125	817 00 05-12	Screw 5/16-18 x 3/4	221	532 40 31-87	Retainer Spring Clip Handle
143	817 49 05-08	Screw 5/16-18 x 1/2	222	879 21 20-10	Washer 21/32 x 1-1/4 10 Ga.
153	532 12 47-88	Retainer Spring 1"	225	532 40 33-19	Keeper Belt Transaxle
159	876 02 04-12	Pin Cotter 1/8 x 3/4	226	532 40 15-64	Bracket Strap Torque
160	532 16 94-84	Retainer Clip	227	817 49 05-12	Screw 5/16-18 x 3/4
161	532 10 57-09	Spring, Return, Clutch	230	532 18 89-67	Washer .793 x 1.637 x 060
163	532 44 82-75	Rod Control			
166	532 42 91-64	Nut Push			
167	532 40 52-57	Latch Brake Parking			
170	532 19 43-22	Keeper V-Idler			

**NOTE:** All component dimensions given in U.S. inches  
1 inch = 25.4 mm

**TRACTOR - MODEL NO. YTH2146 (96048004200), PRODUCT NO. 960 48 00-42  
ENGINE**



**OPTIONAL EQUIPMENT  
SPARK ARRESTER**

engine-tex\_BS\_13\_r3

# TRACTOR - MODEL NO. YTH2146 (96048004200), PRODUCT NO. 960 48 00-42 ENGINE

KEY NO.	PART NO.	DESCRIPTION
1	---	Engine B&S Model No. 33M977-0002-G5 (581187001) (Order parts from engine manufacturer.)
2	532 18 86-55	Muffler
9	532 19 43-20	Keeper Belt Engine
12	532 40 54-72	Pulley Engine
15	532 43 80-80	Tank Fuel
18	532 43 92-08	Cap Asm
20	532 40 15-08	Control Throttle
21	532 41 63-58	Screw # 10 x 0.750
28	532 40 11-37	Fuel Line
29	532 13 71-80	Spark Arrester Kit
37	532 12 34-87	Clamp Hose
42	810 04 07-00	Washer Lock 7/16
45	873 51 04-00	Nut Keps Hex 1/4-20 unc
69	532 16 52-91	Gasket
79	532 19 23-34	Screw Socket Hd. 5/16-18 x .75
84	817 06 06-20	Screw 3/8-16 x 1-1/4
85	532 17 39-37	Bolt Hex 7/16-20 x 4 x Gr. 5-1.5 Thr
87	537 17 18-77	Bolt 5/16-18 unc x 3/4 w/Sems
90	817 00 06-16	Screw 3/8-16 x 1
91	532 18 74-95	Bushing 1.375 OD
94	532 40 54-50	Tube Exhaust

**NOTE:** All component dimensions given in U.S. inches  
1 inch = 25.4 mm

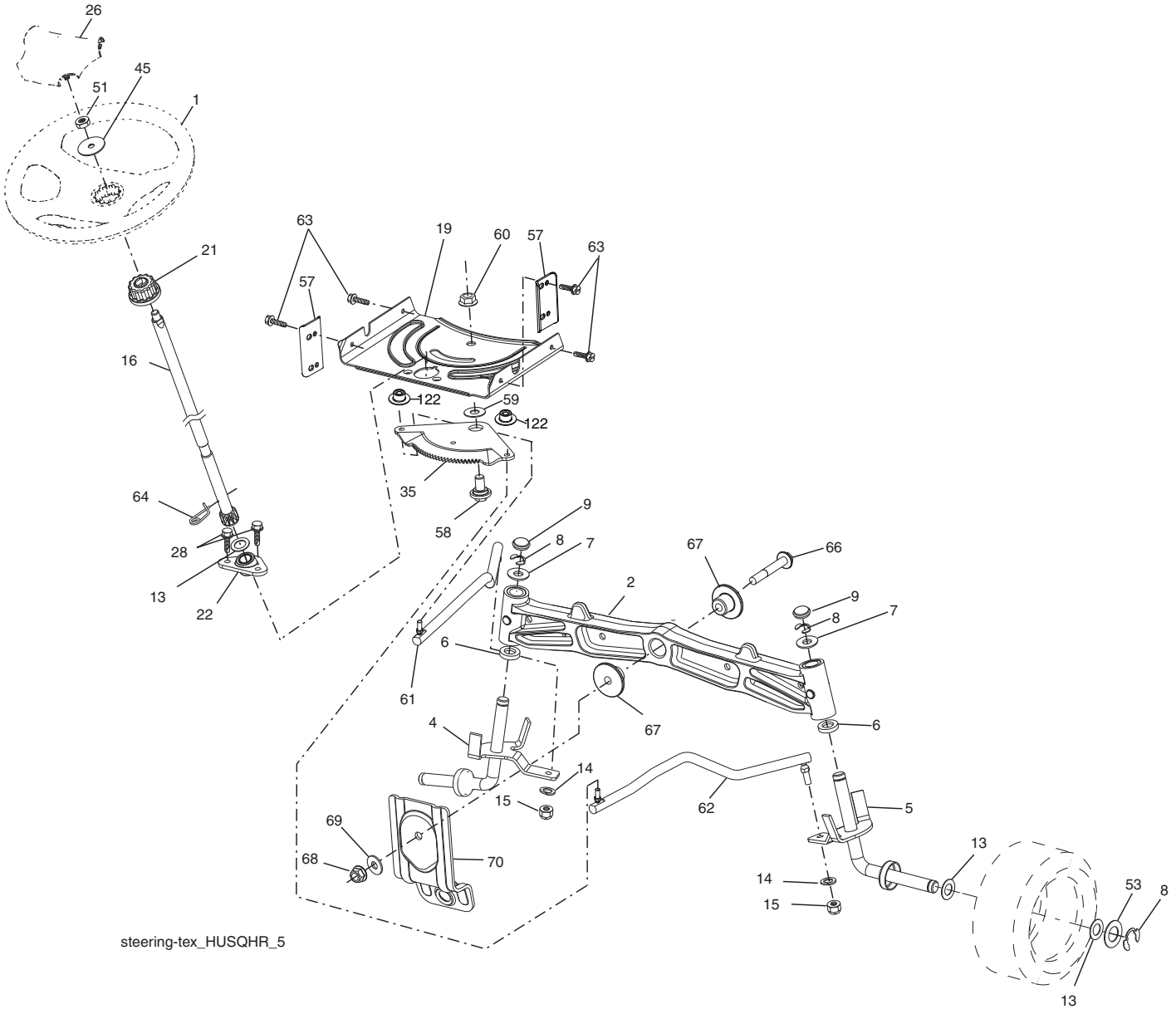
For engine service and replacement parts, call the toll free number for your engine manufacturer listed below:

Briggs & Stratton                      1-800-233-3723

## Engine Power Rating Information

The gross power rating for individual gas engine models is labeled in accordance with SAE (Society of Automotive Engineers) code J1940 (Small Engine Power & Torque Rating Procedure), and rating performance has been obtained and corrected in accordance with SAE J1995 (Revision 2002-05). Torque values are derived at 3060 RPM; horsepower values are derived at 3600 RPM. Actual gross engine power will be lower and is affected by, among other things, ambient operating conditions and engine-to-engine variability. Given both the wide array of products on which engines are placed and the variety of environmental issues applicable to operating the equipment, the gas engine will not develop the rated gross power when used in a given piece of power equipment (actual "on-site" or net power). This difference is due to a variety of factors including, but not limited to, accessories (air cleaner, exhaust, charging, cooling, carburetor, fuel pump, etc.), application limitations, ambient operating conditions (temperature, humidity, altitude), and engine-to-engine variability. Due to manufacturing and capacity limitations, Briggs & Stratton may substitute an engine of higher rated power for this Series engine.

**TRACTOR - MODEL NO. YTH2146 (96048004200), PRODUCT NO. 960 48 00-42**  
**STEERING ASSEMBLY**



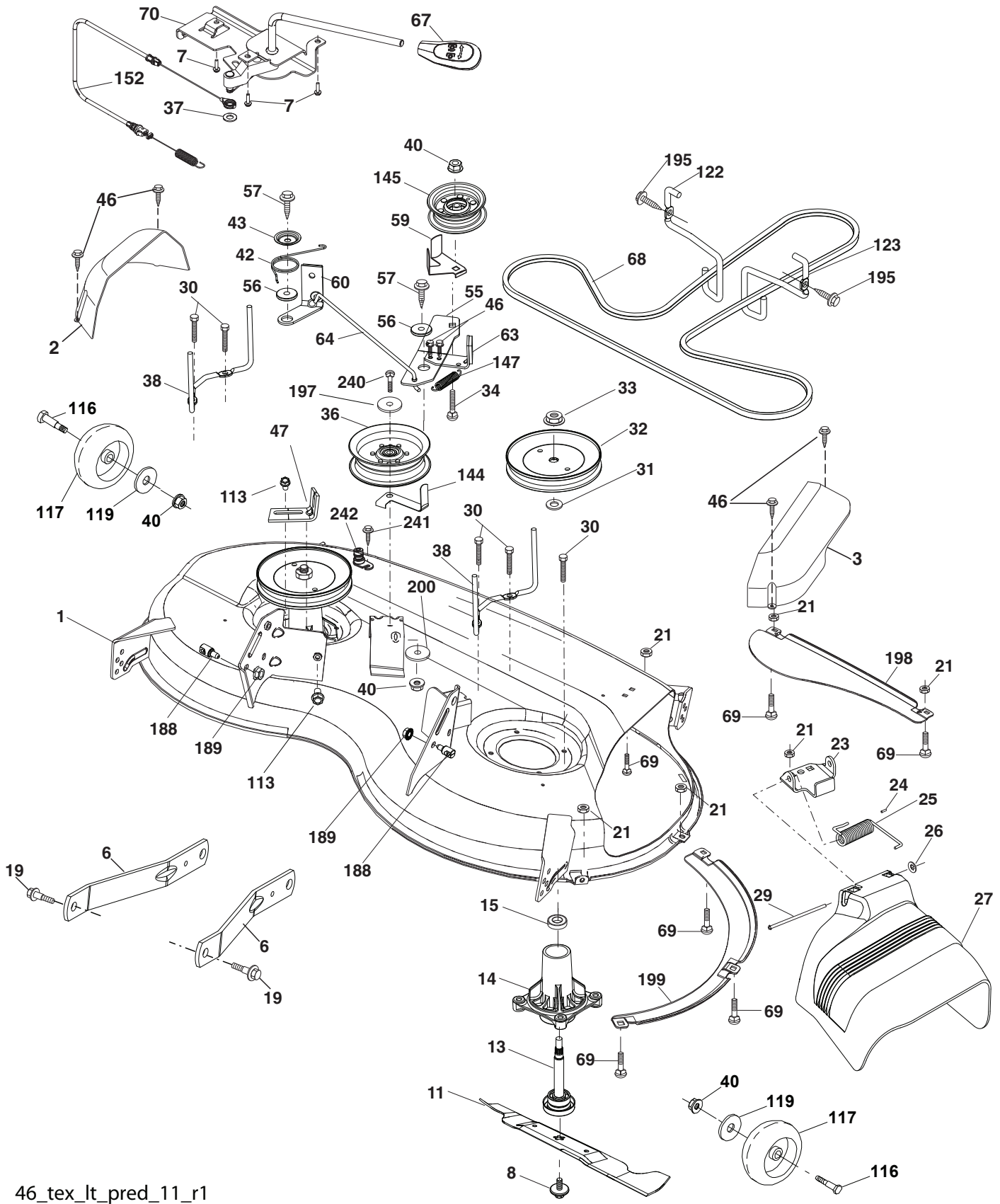
steering-tex\_HUSQHR\_5

**TRACTOR - MODEL NO. YTH2146 (96048004200), PRODUCT NO. 960 48 00-42  
STEERING ASSEMBLY**

<b>KEY NO.</b>	<b>PART NO.</b>	<b>DESCRIPTION</b>
1	532 43 97-40	Wheel, Steering
2	532 19 59-68	Axle Cast Iron
4	532 40 30-87	Spindle Asm., LH
5	532 40 30-88	Spindle Asm., RH
6	532 12 49-31	Washer, Thrust
7	532 12 17-48	Washer 25/32 x 1-5/8 x 16 Ga.
8	812 00 00-29	Ring, Klip #T5304-75
9	532 12 12-32	Cap, Spindle
13	532 12 17-49	Washer 25/32 x 1-1/4 x 16 Ga.
14	810 04 06-00	Washer, Lock Hvy Hlcl Spr 3/8
15	873 54 06-00	Nut, Crown Lock 3/8-24 unf
16	532 40 82-19	Shaft Steering
19	532 19 47-29	Plate Steering
21	532 18 67-37	Adapter, Wheel Steering
22	532 42 05-37	Steering Support
26	532 43 97-43	Insert, Wheel Steering
28	817 00 06-12	Screw 3/8-16 x 3/4
35	532 19 47-32	Gear, Sector Plate
45	819 18 38-12	Washer 9/16 ID x 2-3/8 OD 12 Ga.
51	873 94 08-00	Nut Hex Jam Toplock 1/2-20 unf
53	532 18 89-67	Washer Hardened .793x1.637x.060
57	532 40 74-65	Bracket Upstop
58	532 19 47-47	Bolt Shoulder Sector Pivot CFM
59	532 19 47-48	Washer Thrust Sector Steering
60	873 97 10-00	Nut Flange Lock 5/8-11
61	532 19 47-40	Draglink, LH
62	532 19 47-41	Draglink, RH
63	817 00 05-12	Screw 5/16-18 x 3/4
64	532 19 98-49	Retainer Clip Spring Steering
66	871 02 07-48	Bolt Hex Fghd 7/16-14 x 3 Serr
67	532 19 47-37	Bushing PM Front Axle
68	873 90 07-00	Nut Lock Flange 7/16-14 Gr. 5
69	532 19 91-62	Washer 1.5 x .505 x .118
70	532 19 61-97	Bracket Deck Susp. Front
122	532 44 49-62	Cap Gear

**NOTE:** All component dimensions given in U.S. inches  
1 inch = 25.4 mm

**TRACTOR - MODEL NO. YTH2146 (96048004200), PRODUCT NO. 960 48 00-42**  
**MOWER DECK**



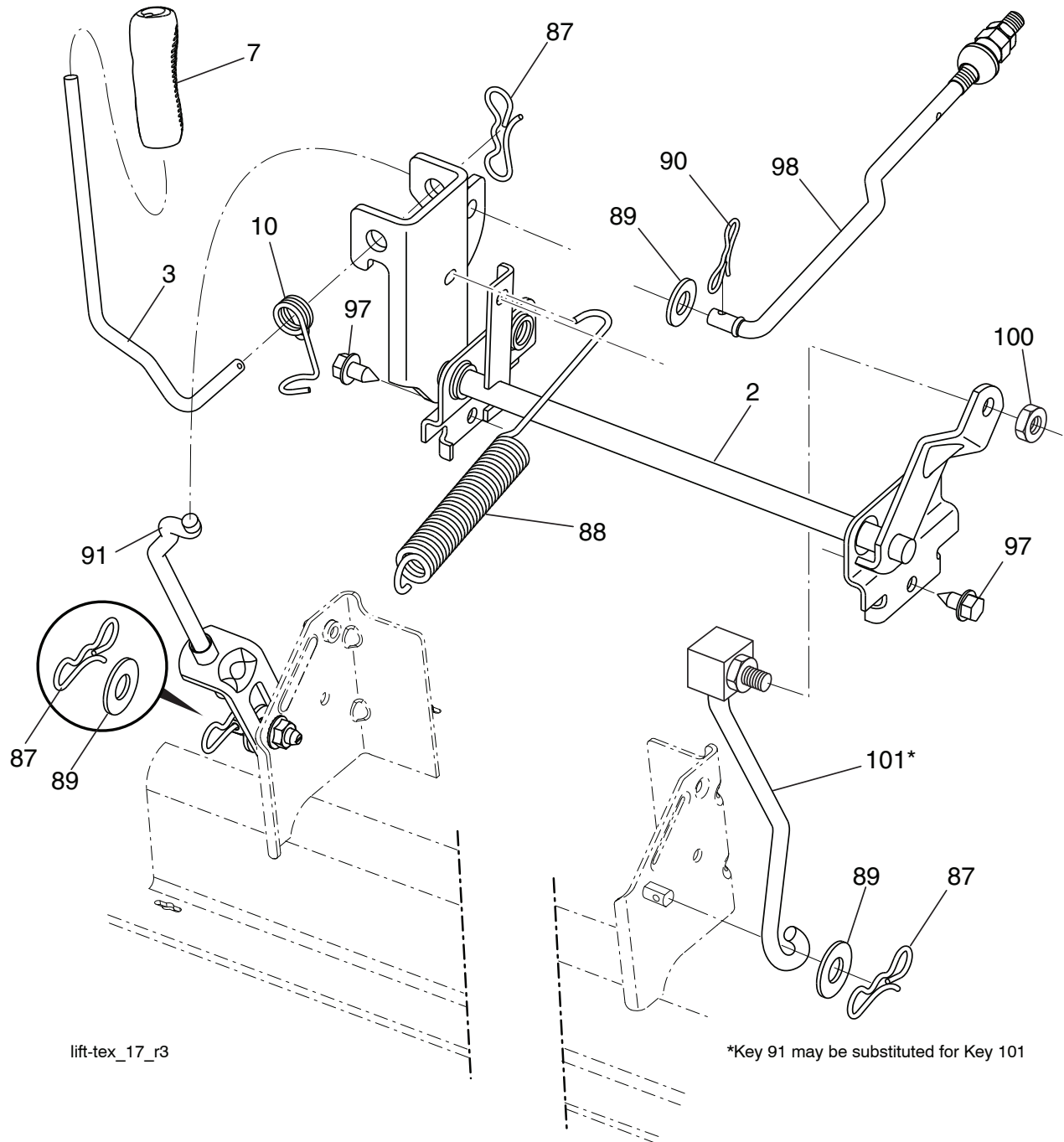
46\_tex\_lt\_pred\_11\_r1

**TRACTOR - MODEL NO. YTH2146 (96048004200), PRODUCT NO. 960 48 00-42  
MOWER DECK**

<b>KEY PART NO. NO.</b>	<b>DESCRIPTION</b>	<b>KEY PART NO. NO.</b>	<b>DESCRIPTION</b>		
1	532 44 24-05	Mower Housing	64	532 40 51-38	Linkage Brake
2	532 40 55-06	Cover Mandrel RH	67	532 40 30-12	Handle, Clutch Cable
3	532 40 55-07	Cover Mandrel LH	68	532 40 51-43	V-Belt
6	532 19 51-86	Arm Suspension	69	872 14 05-05	Bolt
7	532 41 63-58	Screw # 10 x 0.750	70	532 19 99-72	Clutch Asm. Cable
8	532 19 30-03	Bolt/Washer asm 7/16-20 unf	113	817 00 05-10	Screw 5/16-18
11	532 40 53-80	Blade Mower Hi Lift	116	532 19 34-06	Bolt, Shoulder
13	532 19 28-72	Shaft Assembly, Mandrel	117	532 17 48-73	Wheel, Gauge
14	532 18 72-81	Housing, Mandrel	119	819 13 20-12	Washer 13/32 x 1-1/4 x 12 Ga.
15	532 11 04-85	Bearing, Ball, Mandrel	122	532 19 72-58	Keeper Belt Eng. LH
19	532 19 65-39	Bolt, Shoulder	123	532 19 72-59	Keeper Belt Eng. RH
21	873 68 05-00	Nut	144	532 19 92-04	Keeper Belt
23	532 19 25-57	Bracket, Deflector	145	532 19 31-97	Pulley Idler
24	532 10 53-04	Cap, Sleeve	147	532 40 18-72	Spring Return
25	532 19 70-26	Spring, Torsion, Deflector	152	532 43 51-10	Cable Clutch Manual w/Spr.
26	532 11 04-52	Nut, Push	188	532 19 51-61	Stud Fastener
27	532 40 53-57	Shield, Deflector	189	873 90 05-00	Nut Lock Hex Flange
29	532 13 14-91	Rod, Hinge	195	817 00 06-12	Screw 3/8-16 x 3/4
30	532 17 39-84	Screw Thdrol Rolling Wsh Hd	197	819 13 13-12	Washer 13/32 x 13/16 x 12 Ga.
31	532 18 76-90	Washer, Spacer	198	532 40 31-49	Baffle Center Front
32	532 19 74-73	Pulley, Mandrel	199	532 40 31-50	Baffle Front RH
33	532 40 02-34	Nut, Toplock, Flanged	200	532 41 35-24	Washer 13/32 x 1 x 1/2 11 Ga.
34	872 11 06-12	Bolt Carr Sh. 3/8-16 x 1-1/2 Gr. 5	240	874 52 06-36	Bolt 3/8-16 unc x 2-1/4 Gr. 5
36	532 19 73-79	Pulley, Idler, Flat	241	532 15 29-27	Screw
37	819 13 13-16	Washer 13/32 x 13/16 x 16 Ga.	242	532 41 55-98	Washout Port
38	532 43 25-20	Keeper Belt LH Mandrel	--	532 41 64-05	Quick Connect Coupling
40	873 90 06-00	Nut, Lock Flg. 3/8-16 unc	--	532 19 28-70	Mandrel Assembly (Includes housing (key #14), shaft assembly (key #13), and bearing (key #15) only - pulley/ nut/washer and blade bolt/washers not included)
42	532 19 84-10	Spring Torsion Brake			
43	532 19 72-56	Spring Torsion Retainer			
46	532 13 77-29	Screw			
47	532 19 72-50	Bracket Clutch Cable			
55	532 19 72-49	Arm, Idler	--	581 90 12-01	Mulcher Kit
56	532 19 90-92	Spacer, Retainer	--	581 89 31-01	Replacement Mower, Complete
57	817 00 06-16	Screw Hexwsh Thd 3/8-16 x 1			
59	532 14 10-43	Guard, Tuv Idler (94)			
60	532 19 94-71	Arm Brake Mower LH			
63	532 19 94-77	Arm Brake Mower			

**NOTE:** All component dimensions given in U.S. inches  
1 inch = 25.4 mm

**TRACTOR - MODEL NO. YTH2146 (96048004200), PRODUCT NO. 960 48 00-42  
MOWER LIFT**



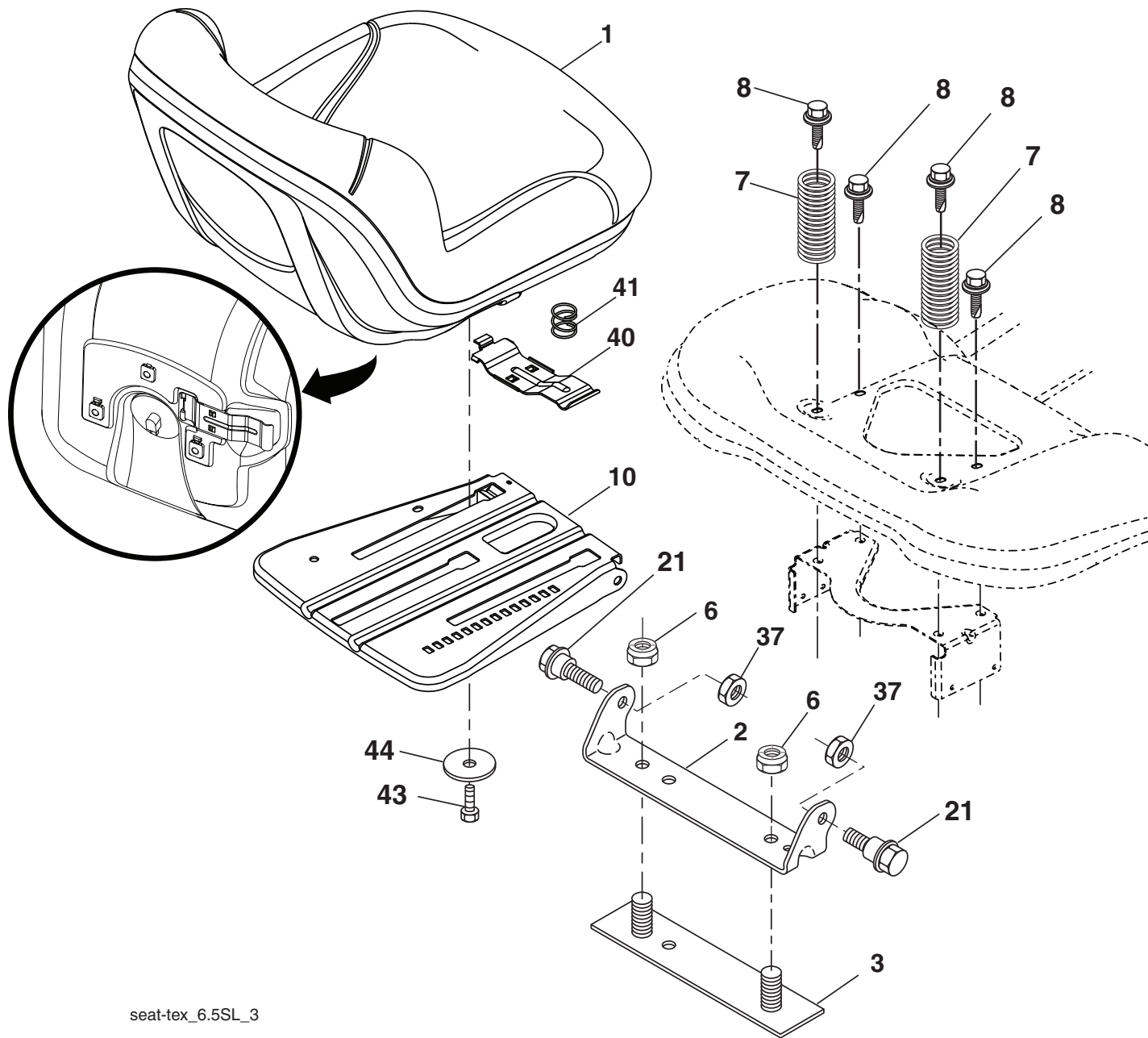
KEY NO.	PART NO.	DESCRIPTION
2	532 42 20-27	Shaft Asm., Lift
3	532 19 52-31	Lever Asm., Lift RH
7	580 96 23-01	Grip, Lever
10	532 19 63-14	Spring Torsion
87	532 19 42-09	Pin Cotter 7/16 Bow Tie Lock
88	532 41 07-10	Spring Lift Assist
89	819 19 19-12	Washer Clear Zinc
90	532 19 42-08	Pin Cotter 5/16 Bow Tie Lock
91	532 19 51-81	Link Lift Susp Mower Rear

KEY NO.	PART NO.	DESCRIPTION
97	817 00 06-12	Screw 3/8-16 x .75 Smgml Tap/R.Z
98	532 19 52-70	Link Lift Susp. Front Mower
100	873 93 06-00	Nut Center Lock 3/8-16 unc
101	532 40 70-03	Link Asm Lift Fixed

**NOTE:** All component dimensions given in U.S. inches  
1 inch = 25.4 mm



**TRACTOR - MODEL NO. YTH2146 (96048004200), PRODUCT NO. 960 48 00-42  
SEAT ASSEMBLY**



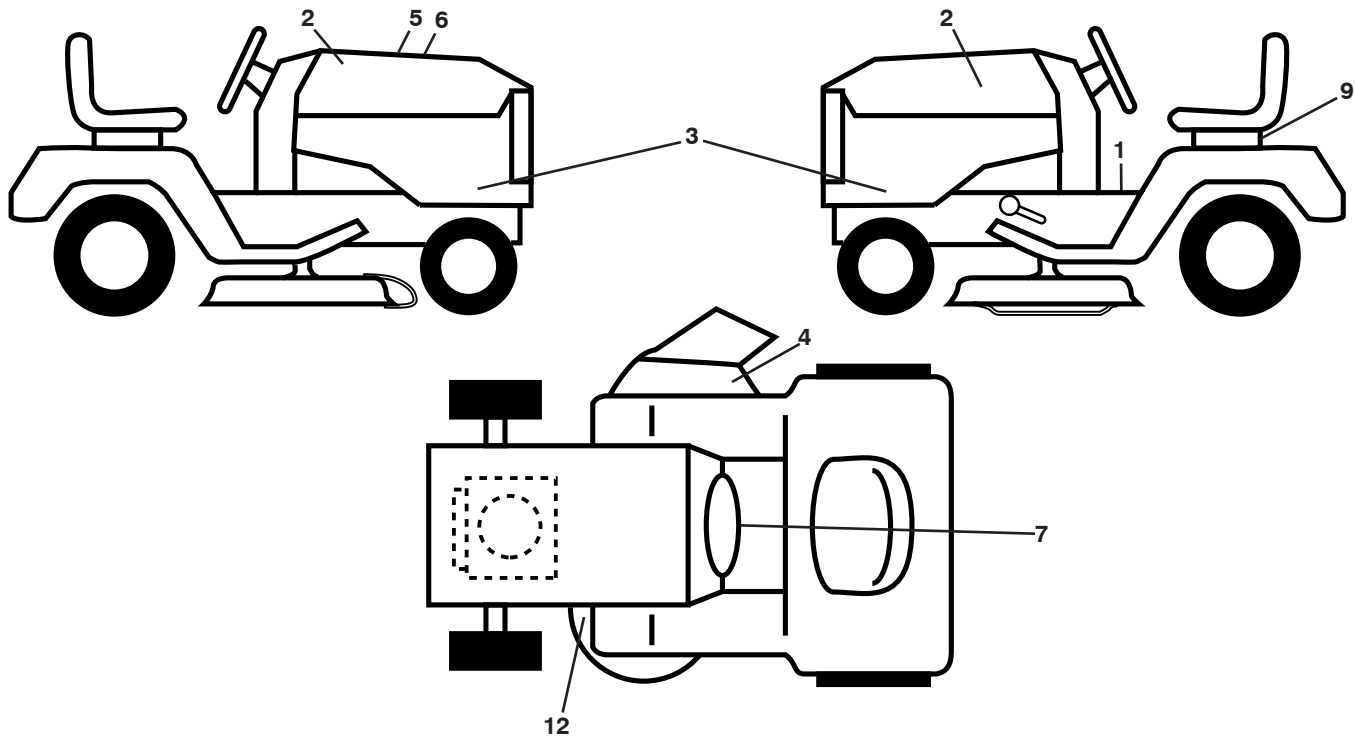
seat-tex\_6.5SL\_3

KEY NO.	PART NO.	DESCRIPTION
1	532 43 98-22	Seat
2	532 18 01-66	Bracket Pivot Fender
3	532 14 06-75	Strap, Asm Fender
6	873 80 06-00	Nut, Lock w/Ins. 3/8-16 unc
7	532 12 41-81	Spring, Seat Cprsn
8	532 17 18-77	Bolt 5/16-18 unc x 3/4 w/Sems
10	532 19 69-77	Pan, Seat
21	532 17 18-52	Bolt, Shoulder 5/16-18

KEY NO.	PART NO.	DESCRIPTION
37	873 80 05-00	Nut, Lock 5/16-18 unc
40	532 19 76-61	Handle Slide Seat
41	532 19 82-00	Spring Latch Seat
43	874 76 06-12	Bolt Fin Hex 3/8-16 unc x 3/4
44	819 13 38-12	Washer 13/32 x 2-3/8 x 12 Ga.

**NOTE:** All component dimensions given in U.S. inches  
1 inch = 25.4 mm

**TRACTOR - MODEL NO. YTH2146 (96048004200), PRODUCT NO. 960 48 00-42  
DECALS**



KEY NO.	PART NO.	DESCRIPTION
1	532 41 16-58	Decal, Fender Warning
2	532 42 91-96	Decal, Hood
3	581 58 31-01	Decal, Hood Panel SD
4	532 17 05-63	Decal, Mower
5	532 42 38-29	Decal, Customer Respons.
6	581 51 16-01	Decal, Replacement
7	532 43 52-86	Decal, Warning Spark.
9	532 14 50-05	Decal, Battery Dnge/Poi

KEY NO.	PART NO.	DESCRIPTION
12	532 16 03-96	Decal, Mower V-Belt Schematic
--	532 16 69-60	Decal, Bypass
--	532 43 96-81	Pad, Footrest, LH
--	532 43 96-82	Pad, Footrest, RH
--	581 55 37-96	Manual, Operator's (English/French)
--	581 55 37-24	Manual, Parts (English/French)

**WHEELS AND TIRES**

KEY NO.	PART NO.	DESCRIPTION
1	532 05 91-92	Cap Valve Tire
2	532 06 51-39	Stem Valve
3	532 13 83-36	Rim Front
4	532 05 99-04	Tube Front (Service Item Only)
5	532 10 62-22	Tire Front 15 x 6.0-6
6	532 12 49-57	Fitting Grease (Front Wheel Only)
7	532 12 49-59	Bearing Flange (Front Wheel Only)
8	532 17 50-39	Cap Axle Blk 1 50 x 1 00
9	532 13 84-68	Tire R 20 x 8-8 Turf Saver LT
10	532 12 49-26	Tube Rear (Service Item Only)
11	532 13 83-37	Rim Asm 8" Rear
--	532 14 43-34	Sealant, Tire (10 oz. Tube)

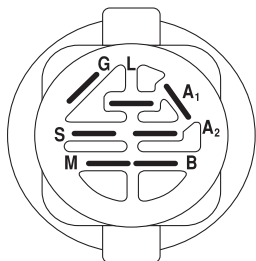
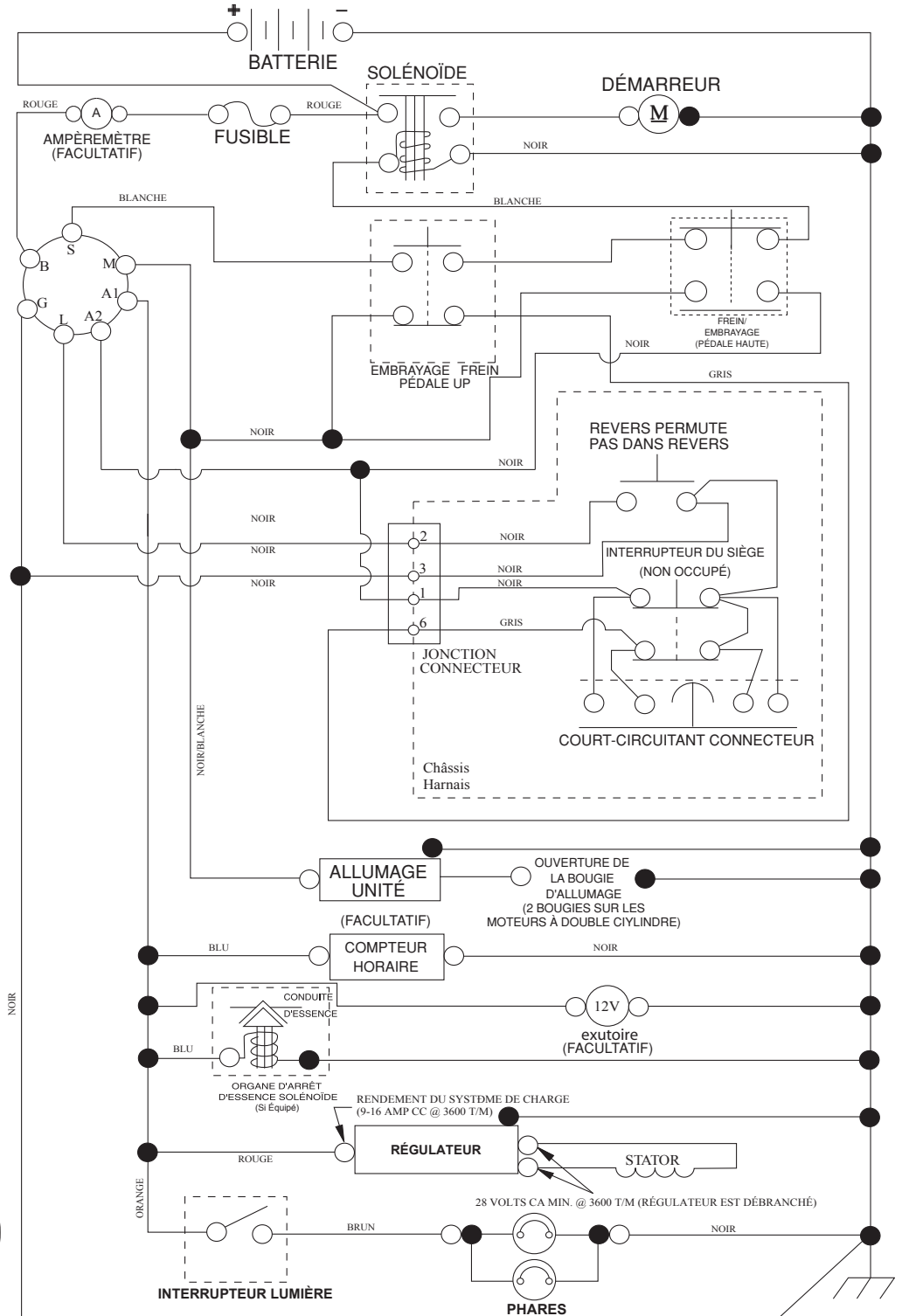
**NOTE:** All component dimensions given in U.S. inches  
1 inch = 25.4 mm

wheel\_art\_1-tex

# TRACTEUR - NO. DE MODÈLE YTH2146 (96048004200), NO. DE PROD. 960 48 00-42

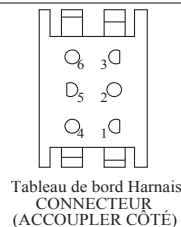
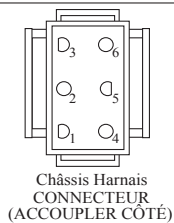
## SCHEMA

SCH10-F



### CONTACTEUR D'ALLUMAGE

POSITION	CIRCUIT "FAITS"
ARRÊT	M + G + A1
MARCHE/ ALLUMAGE	B + A1
MARCHE	B + A1 L+A2
DÉMARRAGE	B + S + A1



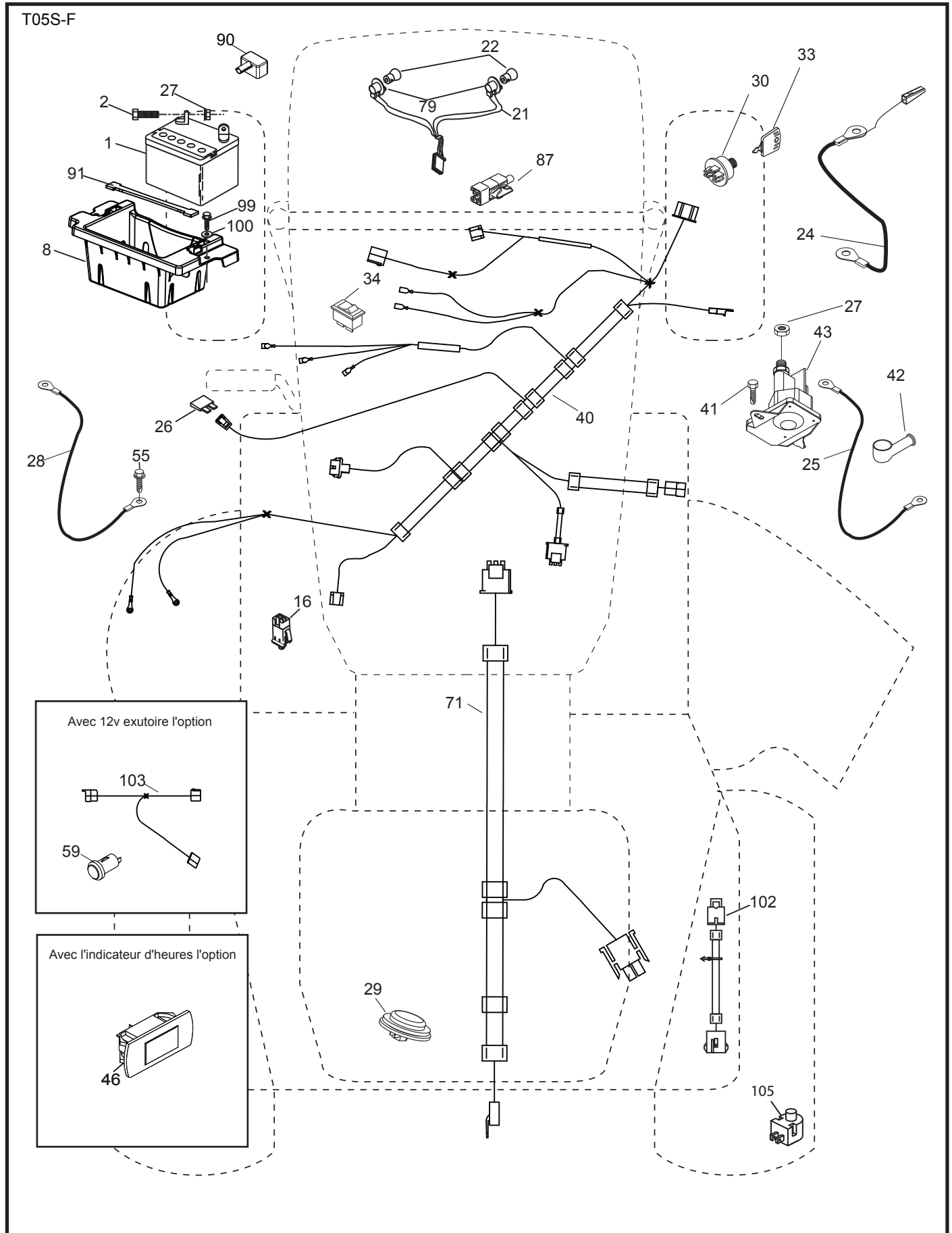
### PINCES ISOLÉES

**REMARQUE:** SI LES PINCES ISOLÉES ONT ÉTÉ ENLEVÉES POUR L'ENTRETIEN DU MODÈLE, ELLES DOIVENT ÊTRE REMISES EN PLACE POUR ASSURER LE BON FONCTIONNEMENT DU CÂBLAGE.

CONNECTEURS  
NON-AMOVIBLES

CONNECTEURS  
AMOVIBLES

TRACTEUR - NO. DE MODÈLE YTH2146 (96048004200), NO. DE PROD. 960 48 00-42  
ÉLECTRIQUE

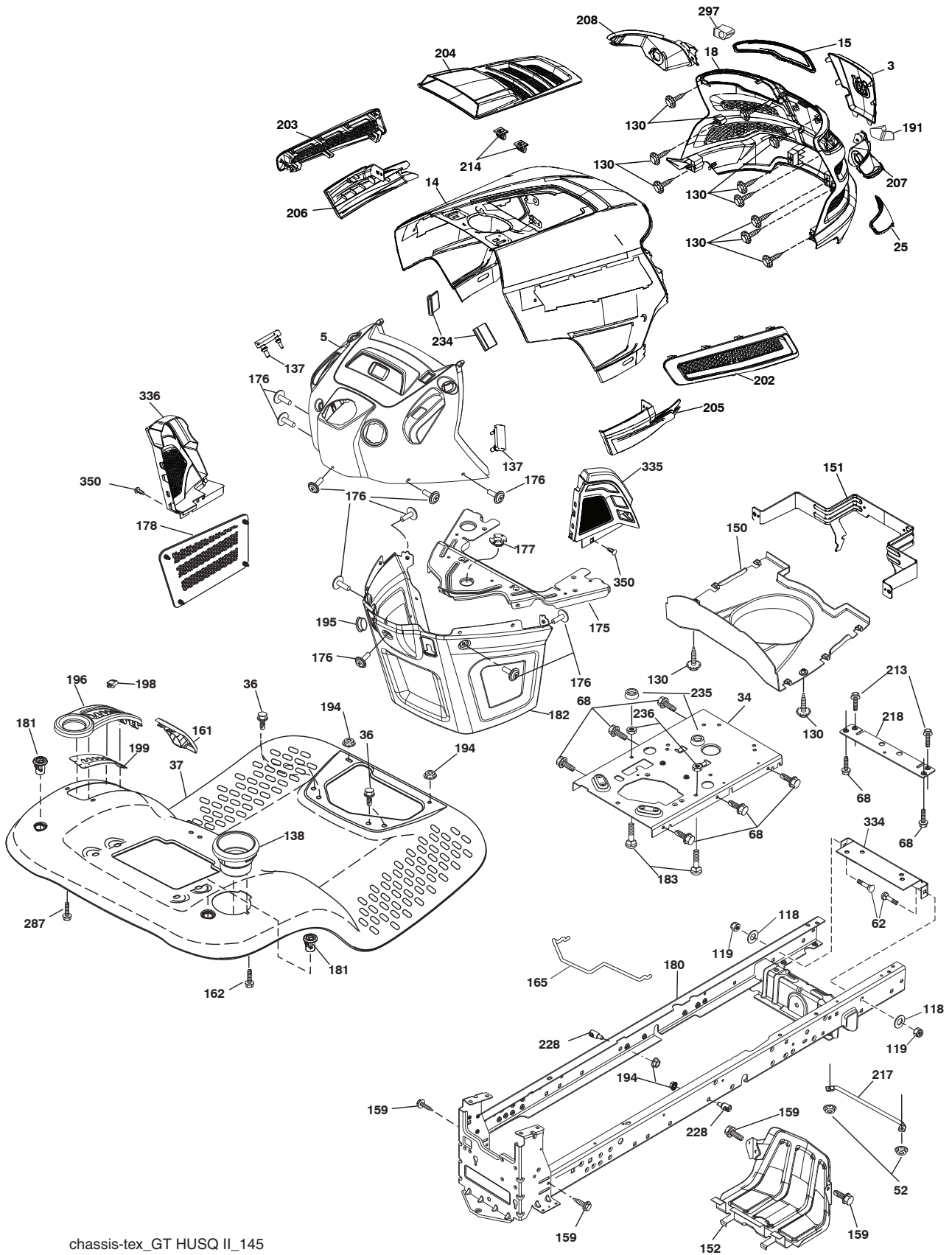


**TRACTEUR - NO. DE MODÈLE YTH2146 (96048004200), NO. DE PROD. 960 48 00-42  
ÉLECTRIQUE**

<b>NO. DE RÉF.</b>	<b>NO DE PIÈCE</b>	<b>DESCRIPTION</b>
1	532 16 34-65	Batterie
2	874 76 04-12	Boulon H 1/4-20 unc x 3/4
8	532 18 64-91	Bac de batterie
16	532 17 61-38	Interrupteur de verrouillage pressé
21	532 40 02-52	Harnais des prises de courant des phares avec 4152J
22	532 00 41-52	Ampoule N°1156
25	532 41 28-95	Câble de batterie
26	532 17 51-58	Fusible
27	873 51 04-00	Écrou H 1/4-20 unc
28	532 14 54-91	Câble de masse
29	532 40 15-45	Interrupteur
30	532 19 33-50	Contacteur d'allumage
33	532 41 19-35	Clé/chaîne
34	532 11 07-12	L'interrupteur des phares
40	532 40 10-98	Harnais des câbles d'allumage
41	817 72 04-08	Vis 1/4-20 x 1/2
42	532 13 15-63	Couverture de borne
43	532 19 25-07	Solénoïde
46	532 40 17-63	Jauge
55	817 06 05-12	Vis 5/16-18 x 3/4 TYTT
71	532 19 42-76	Harnais des cables of d'allumage
79	532 17 52-42	Prise de courant d'ampoule
87	532 19 78-02	Interrupteur
90	532 43 53-95	Couverture
91	532 19 02-70	Attache de batterie
99	817 67 04-12	Vis 1/4-20 x 3/4
100	819 09 14-16	Rondelle 9/32 x 7/8 x 16 Ja.
102	532 40 44-54	Harnais
105	532 40 75-68	Interrupteur

**REMARQUE:** Toutes les dimensions de composant sont données en pouces É.-U. --1 pouce = 25,4 mm

TRACTEUR - NO. DE MODÈLE YTH2146 (96048004200), NO. DE PROD. 960 48 00-42  
CHÂSSIS/ENCEINTES



chassis-tex\_GT HUSQ II\_145

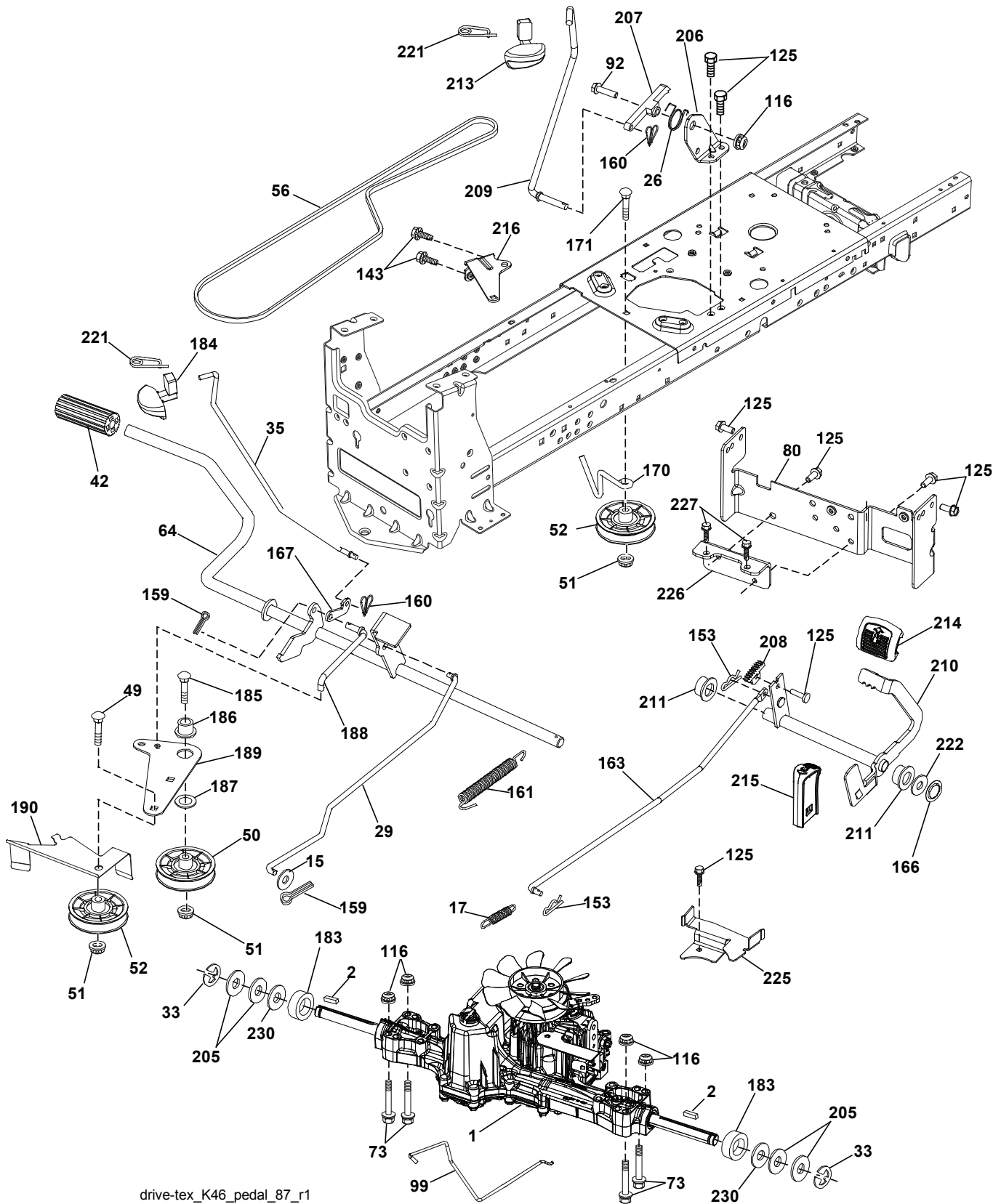
**TRACTEUR - NO. DE MODÈLE YTH2146 (96048004200), NO. DE PROD. 960 48 00-42  
CHÂSSIS/ENCEINTES**

<b>NO. DE RÉF.</b>	<b>NO DE PIÈCE</b>	<b>DESCRIPTION</b>	<b>NO. DE RÉF.</b>	<b>NO DE PIÈCE</b>	<b>DESCRIPTION</b>
3	532 44 44-81	Applique	191	532 43 74-55	Insert (C,D)
5	581 46 69-01	Tableau de bord, Husq.	194	873 90 05-00	Écrou frein H 5/16-18
14	532 44 11-77	Capot	195	532 40 41-37	Bouchon
15	532 43 97-33	Lentille C.G.	196	532 43 96-47	Panneau
18	532 44 06-53	Calandre	198	532 44 15-52	Jauge
25	532 44 33-85	Lentille C.D.	199	532 41 34-85	Plaque
34	580 91 08-01	Plaquette de moteur	202	532 43 97-28	Ventilé C.D.
36	817 06 05-12	Vis 5/16-18 x 3/4	203	532 43 97-27	Ventilé C.G.
37	532 44 12-69	Aile	204	532 43 57-14	Ventilé supérieur
52	873 68 05-00	Écrou auto-bloquant 5/16-18	205	532 43 97-30	Jupe C.D.
62	872 11 06-08	Boulon 3/8-16 x 1 cat. 5	206	532 43 97-29	Jupe C.G.
68	817 49 05-08	Vis 5/16-18 x 1/2	207	532 43 97-34	Biseau C.D.
118	819 13 13-16	Rondelle 13/32 x 13/16 x 16 Ja.	208	532 43 97-35	Biseau C.G.
119	873 68 06-00	Écrou 3/8-16 unc	213	874 76 05-12	Boulon H 5/16-18 unc x 3/4
130	532 41 63-58	Vis #10 x 0.750	214	532 19 91-45	Pince de arrêt
137	532 40 75-90	Tableau de bord du chocs	217	532 40 91-67	Attache
138	532 43 97-47	Tenante de tasse	218	532 19 63-95	Le "X" morceau pour arrêter le capuchon
150	532 43 99-21	Conduit d'air	228	532 19 51-61	Tenon
151	532 43 66-70	Soutien du support	234	532 40 47-42	Capot/pare-chocs
152	532 43 98-70	Défecteur	235	532 40 61-29	Entretoise pour l'aile
159	817 00 06-12	Vis 3/8-16 x 3/4	236	873 93 05-00	Écrou auto-bloquant 5/16-18 unc
161	532 43 97-81	Fenêtre De Carburant	287	817 60 04-06	Vis 1/4-20 x 3/8
162	532 14 24-32	Vis	297	532 43 74-56	Insert C.G
165	532 19 68-26	Support	334	532 44 25-37	Support
175	532 19 63-04	Croix	335	532 44 82-04	Couvercle C.D.
176	532 40 07-76	Vis 10-24 x 5/8	336	532 44 53-09	Couvercle C.G.
177	532 19 52-27	Direction De Douille	350	532 44 51-43	Attache
178	532 19 97-82	Filet de Fret	--	532 40 09-44	Pare-chocs
180	532 19 54-57	Châssis			
181	532 43 97-46	Douille			
182	532 40 68-59	Inférieur du tableau de bord			
183	874 52 05-20	Boulon H 5/16-18 x 1-1/4			

**REMARQUE:** Toutes les dimensions de composant sont données en pouces E.-U. --1 pouce = 25,4 mm



**TRACTEUR - NO. DE MODÈLE YTH2146 (96048004200), NO. DE PROD. 960 48 00-42  
ENTRAÎNEMENT**



drive-tex\_K46\_pedal\_87\_r1

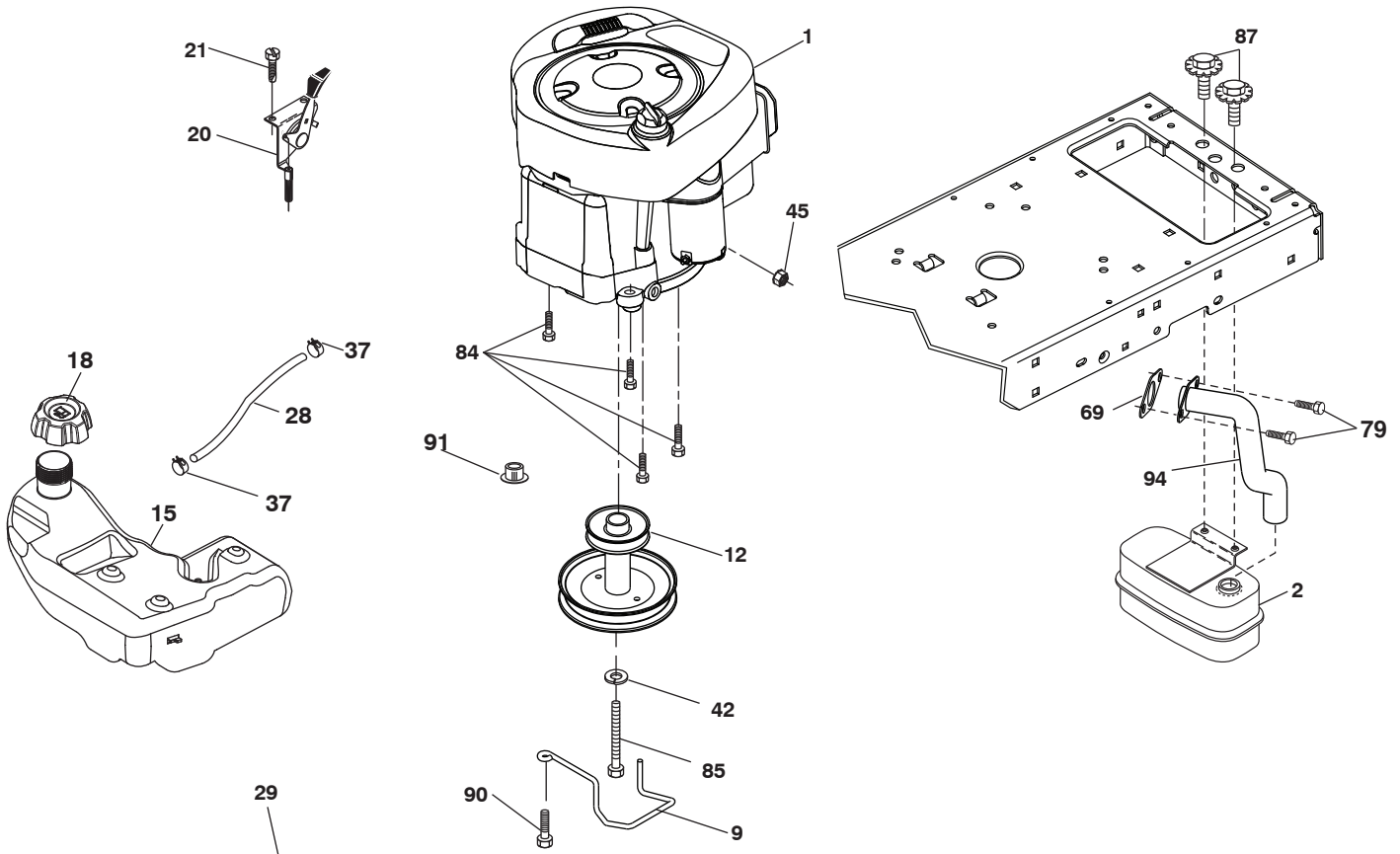


**TRACTEUR - NO. DE MODÈLE YTH2146 (96048004200), NO. DE PROD. 960 48 00-42  
ENTRAÎNEMENT**

<b>NO. DE RÉF.</b>	<b>NO DE PIÈCE</b>	<b>DESCRIPTION</b>	<b>NO. DE RÉF.</b>	<b>NO DE PIÈCE</b>	<b>DESCRIPTION</b>
1	---	Transmission TUFFTORQ K46BT (426120) (Commandez les pièces du fabricant du transmission.)	170	532 19 43-22	Guide-courroie
2	532 12 35-83	Clé	171	872 11 06-16	Boulon 3/8-16 unc x 2
15	819 13 13-16	Rondelle 13/32 x 13/16 x 16 Ja.	183	532 13 70-57	Entretoise
17	532 41 36-78	Ressort	184	532 44 14-55	Poignée de frein de stationnement
26	532 19 96-79	Ressort de rappel	185	872 11 06-22	Boulon
29	532 40 38-06	Tige du frein	186	532 19 43-21	Ressort de retenue
33	812 00 00-01	Bague en E	187	819 13 32-10	Rondelle
35	532 43 54-86	Tige du frein de stationnement	188	532 19 43-23	Raccord d'embrayage
42	532 12 48-72	Couverture de la pédale	189	532 19 43-17	Levier coudé
49	872 11 06-14	Boulon	190	532 19 43-18	Garde du courroie
50	532 19 43-27	Poulie du galet-tendeur	205	532 12 17-48	Rondelle 25/32 x 1-5/8 x 16 Ja.
51	873 90 06-00	Écrou frein 3/8-16	206	532 44 85-96	Support
52	532 19 43-26	Galet-tendeur	207	532 19 78-68	Loquet
56	532 13 09-69	Courroie trapézoïdale	208	532 19 78-69	Secteur denté
64	532 19 78-65	Ensemble de l'arbre	209	532 19 95-92	Tige
73	874 49 05-40	Boulon 5/16-18 x 2 1/2 Cat. 5	210	532 40 09-80	Commande de pédale
80	532 44 06-19	Couple De Courroie	211	532 12 01-83	Palier de nylon
92	874 76 05-20	Boulon 5/16-18 unc x 1.25	213	532 40 31-19	Bouton
99	532 41 57-42	Tige de dérivation	214	532 42 12-63	Pédale en avant
116	873 90 05-00	Écrou frein 5/16-18	215	532 40 17-23	Pédale contraire
125	817 00 05-12	Vis 5/16-18 x 3/4	216	532 19 61-31	Support (poulie du galet-tendeur)
143	817 49 05-08	Vis 5/16-18 x 1/2	221	532 40 31-87	Ressort de retenue
153	532 12 47-88	Ressort D'Arrêtoir	222	879 21 20-10	Rondelle 21/32 x 1-1/4 10 Ja.
159	876 02 04-12	Goupille fendue 1/8 x 3/4	225	532 40 33-19	Garde du courroie
160	532 16 94-84	Collier de retenue	226	532 40 15-64	Support
161	532 10 57-09	Ressort de rappel d'embrayage	227	817 49 05-12	Vis 5/16-18 x 3/4
163	532 44 82-75	Tige du contrôle	230	532 18 89-67	Rondelle .793 x 1.637 x 060
166	532 42 91-64	Écrou .625			
167	532 40 52-57	Loquet			

**REMARQUE:** Toutes les dimensions de composant sont données en pouces É.-U. --1 pouce = 25,4 mm

TRACTEUR - NO. DE MODÈLE YTH2146 (96048004200), NO. DE PROD. 960 48 00-42  
MOTEUR



**EQUIPO APAGACHISPAS**

engine-tex\_BS\_13\_r3

# TRACTEUR - NO. DE MODÈLE YTH2146 (96048004200), NO. DE PROD. 960 48 00-42 MOTEUR

NO. DE RÉF.	NO. DE PIÈCE	DESCRIPTION
1	- - - - -	Moteur B&S-No. de modèle 33M977-0002-G5 (581187001) (Commandez les pièces du fabricant du moteur.)
2	532 18 86-55	Silencieux
9	532 19 43-20	Guide-courroie du moteur
12	532 40 54-72	Poulie de moteur
15	532 43 80-80	Réservoir d'essence
18	532 43 92-08	Chapeau d'essence
20	532 40 15-08	Commande des gaz
21	532 41 63-58	Vis #10 x 0.750
28	532 40 11-37	Conduite d'essence
29	532 13 71-80	Jeu de pare - étincelles (écran plate)
37	532 12 34-87	Bride de serrage de tuyau
42	810 04 07-00	Rondelle frein 7/16
45	873 51 04-00	Écrou H 1/4-20 unc
69	532 16 52-91	Garniture
79	532 19 23-34	Vis 5/16-18 x .75
84	817 06 06-20	Vis 3/8-16 x 1-1/4
85	532 17 39-37	Boulon
87	537 17 18-77	Boulon 5/16-18 UNC x 3/4
90	817 00 06-16	Vis 3/8-16 x 1
91	532 18 74-95	Coussinet
94	532 40 54-50	Le tuyau du silencieux

**REMARQUE:** Toutes les dimensions de composant sont données en pouce d'E.-U. - - 1 pouce = 25,4 mm.

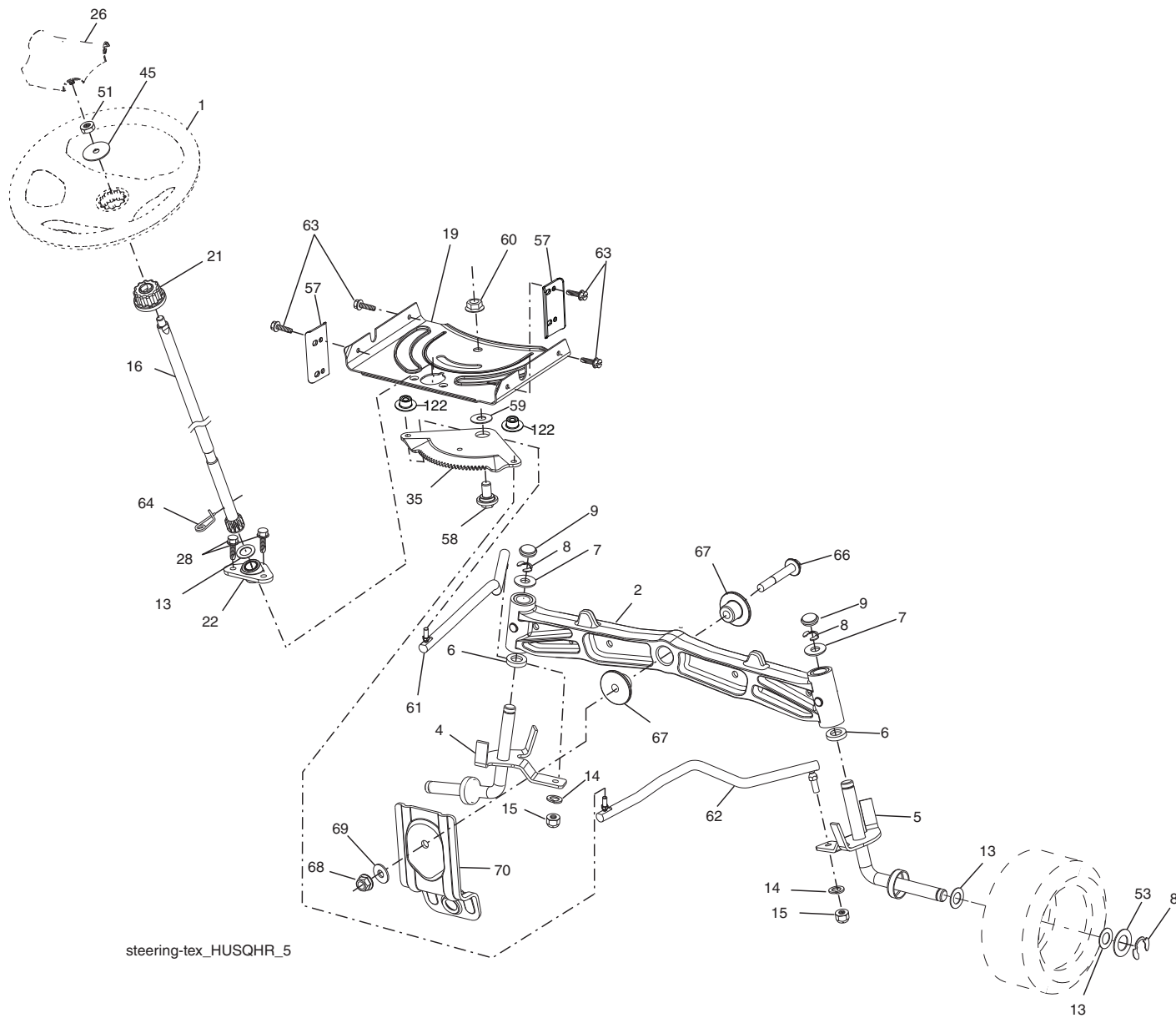
Pour des pièces de service et de rechange de moteur, réclamez le numéro de téléphone libre pour votre fabricant de moteur énuméré ci-dessous:

Briggs & Stratton 1-800-233-3723

## Informations concernant la puissance théorique du moteur

La puissance brute pour chaque Modèle de moteur à essence est indiquée conformément au code J1940 (procédure de calcul de la puissance et du couple des petits moteurs) de la SAE (Society of Automotive Engineers) et les performances théoriques ont été obtenues et corrigées selon SAE J1995 (révision 2002-05). Les valeurs de couple sont calculées sur la base de 3060tr/min et celles de puissance sur la base de 3600tr/min. La puissance brute réelle du moteur peut être plus faible notamment à cause des conditions de fonctionnement et des variations d'un moteur à l'autre. Compte tenu de la grande variété de machines sur lesquelles nos moteurs sont utilisés et du nombre de problèmes environnementaux applicables au fonctionnement des équipements, il se peut que le moteur à essence ne développe pas sa puissance théorique une fois qu'il est monté sur une machine particulière (puissance nette ou réelle «sur site»). Cette différence s'explique par un grand nombre de facteurs, tels que (liste non limitative): accessoires (filtre à air, échappement, admission, refroidissement, carburateur, pompe à essence, etc.), limites d'utilisation, conditions ambiantes d'utilisation (température, humidité, altitude) et variations d'un moteur à l'autre. Pour des raisons de fabrication et de capacité limitées, Briggs & Stratton est susceptible de remplacer ce Modèle par un moteur plus puissant.

TRACTEUR - NO. DE MODÈLE YTH2146 (96048004200), NO. DE PROD. 960 48 00-42  
ENSEMBLE DE LA DIRECTION



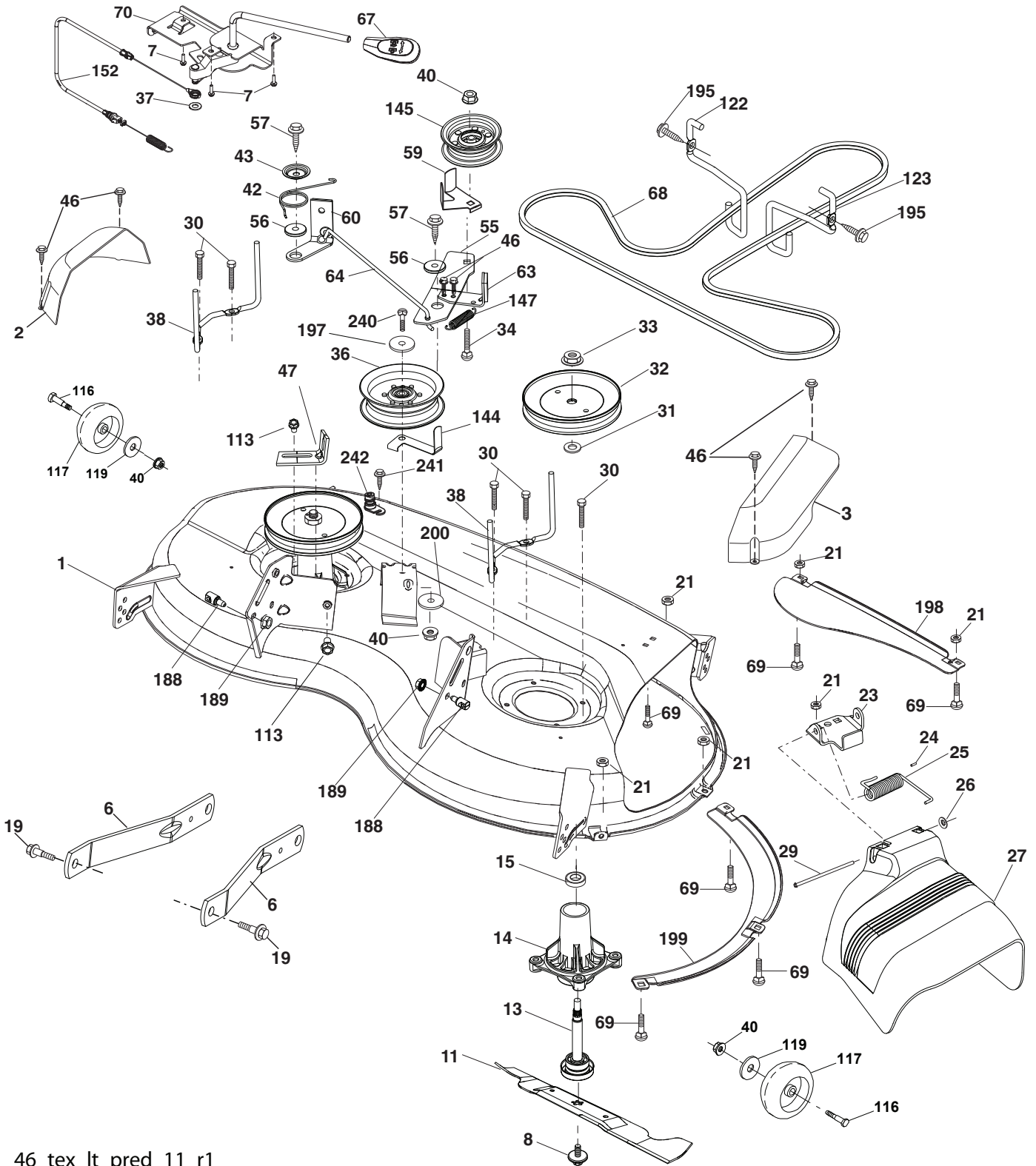
steering-tex\_HUSQHR\_5

**TRACTEUR - NO. DE MODÈLE YTH2146 (96048004200), NO. DE PROD. 960 48 00-42  
ENSEMBLE DE LA DIRECTION**

<b>NO. DE RÉF.</b>	<b>NO DE PIÈCE</b>	<b>DESCRIPTION</b>
1	532 43 97-40	Volant de direction
2	532 19 59-68	Essieu
4	532 40 30-87	Ensemble de la broche C.G.
5	532 40 30-88	Ensemble de la broche C.D.
6	532 12 49-31	Palier de butée durci
7	532 12 17-48	Rondelle 25/32 x 1-5/8 x 16 Ja.
8	812 00 00-29	Rondelle clip n°t5304-75
9	532 12 12-32	Chapeau de broche
13	532 12 17-49	Rondelle 25/32 x 1-1/4 x 16 Ja.
14	810 04 06-00	Rondelle frein 3/8
15	873 54 06-00	Écrou frein 3/8-24 unf
16	532 40 82-19	Arbre de direction
19	532 19 47-29	Arbre de plaque
21	532 18 67-37	Adaptateur du volant de direction
22	532 42 05-37	Support
26	532 43 97-43	Insert de chapeau du volant de direction
28	817 00 06-12	Vis 3/8-16 x 3/4
35	532 19 47-32	Secteur denté
45	819 18 38-12	Rondelle 9/16 x 2-3/8 x 12 Ja.
51	873 94 08-00	Contre-écrou 1/2-20 unf
53	532 18 89-67	Rondelle .793 x 1.637 x .060
57	532 40 74-65	Support
58	532 19 47-47	Boulon à épaulement
59	532 19 47-48	Rondelle
60	873 97 10-00	Écrou frein à collet 5/8-11
61	532 19 47-40	Barre de direction C.G.
62	532 19 47-41	Barre de direction C.D.
63	817 00 05-12	Vis 5/16-18 x 3/4
64	532 19 98-49	Collier de retenue
66	871 02 07-48	Boulon 7/16-14 x 3
67	532 19 47-37	Douille
68	873 90 07-00	Écrou frein à collet 7/16-14 Cat. 5
69	532 19 91-62	Rondelle 1.5 x .505 x .118
70	532 19 61-97	Support
122	532 44 49-62	Chapeau

**REMARQUE:** Toutes les dimensions de composant sont données en pouces É.-U. --1 pouce = 25,4 mm

**TRACTEUR - NO. DE MODÈLE YTH2146 (96048004200), NO. DE PROD. 960 48 00-42**  
**CARTER DE TONDEUSE**



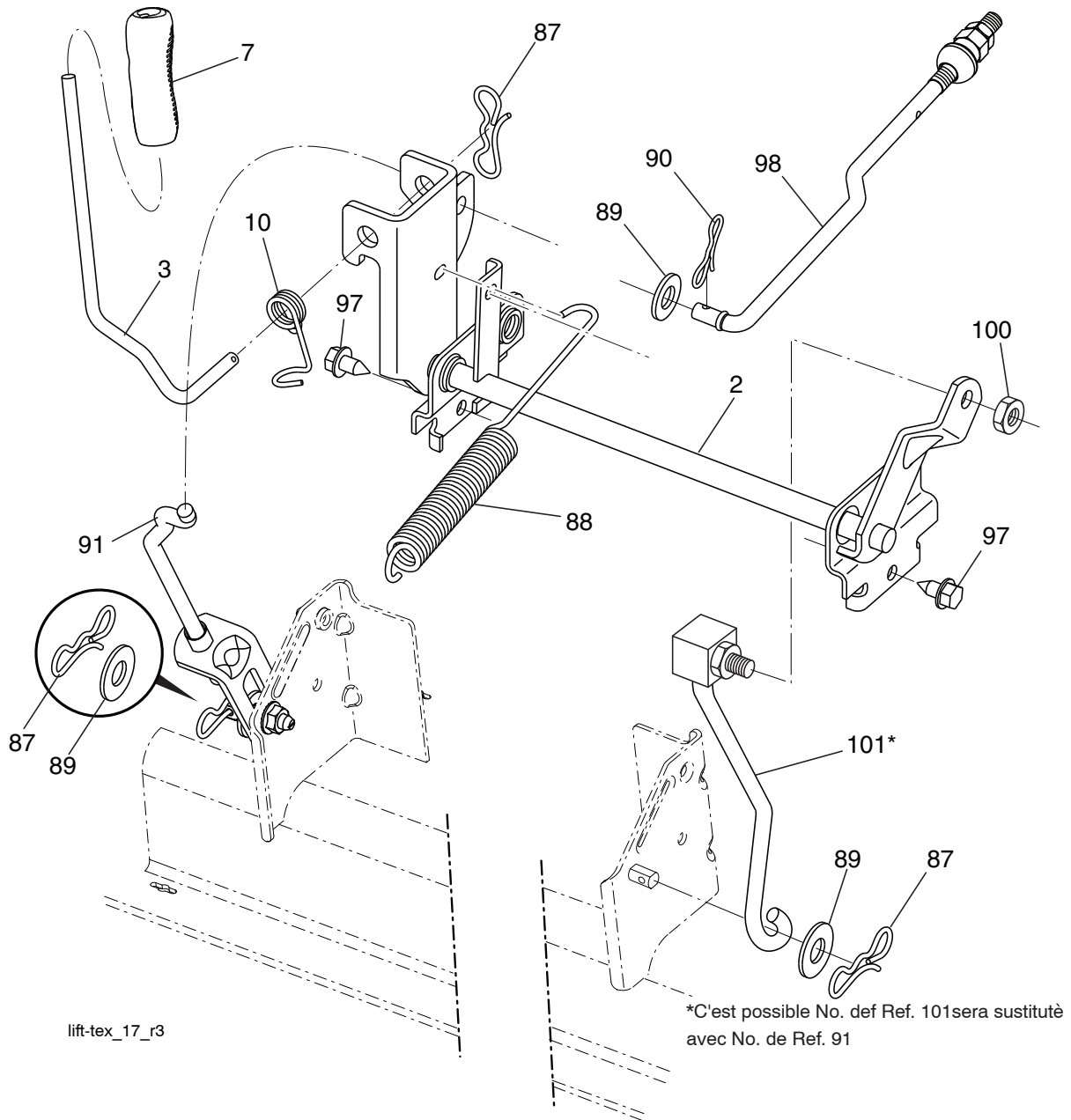
46\_tex\_lt\_pred\_11\_r1

**TRACTEUR - NO. DE MODÈLE YTH2146 (96048004200), NO. DE PROD. 960 48 00-42  
CARTER DE TONDEUSE**

NO. DE RÉF.	NO DE PIÈCE	DESCRIPTION	NO. DE RÉF.	NO DE PIÈCE	DESCRIPTION
1	532 44 24-05	Carter de tondeuse	68	532 40 51-43	Courroie Trapézoïdale
2	532 40 55-06	Couverture du mandrin CD	69	872 14 05-05	Boulon 5/16-18 x 5/8
3	532 40 55-07	Couverture du mandrin CG	70	532 19 99-72	Embrayage
6	532 19 51-86	Bras de suspension	113	817 00 05-10	Vis 5/16-18
7	532 41 63-58	Vis #10 x 0.750 BOS	116	532 19 34-06	Boulon 3/8-16 x 3-5/8 Cat. 5
8	532 19 30-03	Boulon/Rondelle 7/16-20	117	532 17 48-73	Roue De Jauge
11	532 40 53-80	Lame, 42" Hi-Lift	119	819 13 20-12	Rondelle 13/32 x 1-1/4 x 12 GA.
13	532 19 28-72	Ensemble de l'arbre	122	532 19 72-58	Guide-Courroie du Moteur
14	532 18 72-81	Carter du mandrin	123	532 19 72-59	Main droite de Moteur de Ceinture de Garde
15	532 11 04-85	Roulement à billes			
19	532 19 65-39	Boulon	144	532 19 92-04	Guide-courroie
21	873 68 05-00	Écrou Auto-Serrant5/16-18 unc	145	532 19 31-97	Poulie de Tension
23	532 19 25-57	Support de déflecteur	147	532 40 18-72	Ressort de rappel
24	532 10 53-04	Boulon à Tête	152	532 43 51-10	Câble d'embrayage
25	532 19 70-26	Ressort de Torsion de Déflecteur	188	532 19 51-61	Attache à Tenon
26	532 11 04-52	Écrou de Poussee	189	873 90 05-00	Écrou
27	532 40 53-57	Déflecteur	195	817 00 06-12	Vis 3/8-16 x 3/4
29	532 13 14-91	Tige à Charnière	197	819 13 13-12	Rondelle 13/32 x 13/16 x 12 Ja.
30	532 17 39-84	Vis	198	532 40 31-49	Chicane
31	532 18 76-90	Rondelle, Entretoise	199	532 40 31-50	Chicane
32	532 19 74-73	Poulie du Mandrin	200	532 41 35-24	Rondelle 13/32 x 1 x 1/2 11 Ja.
33	532 40 02-34	Tuerca de Seguridad con Brida	240	874 52 06-36	Boulon 3/8-16 unc x 2-1/4 Cat. 5
34	872 11 06-12	Boulon. 3/8-16 x 1-1/2 Cat. 5	241	532 15 29-27	Vis #10-32.5 3/8 Flange
36	532 19 73-79	Poulie de Tension 4.50 RAW	242	532 41 55-98	Raccord de lavage du plateau de coupe
37	819 13 13-16	Rondelle 13/32 x 13/16 x 16 Ga.	---	532 41 64-05	Connecter d'accouplement du rapide
38	532 43 25-20	Guide-courroie du mandrin	---	532 19 28-70	Ensamble del Mandril (solo incluye la carcasa (#14), el ensamble del eje (#13) y el rodamiento (#15); no incluye la polea/tuerca/arandela ni los pernos/arandelas de la cuchilla)
40	873 90 06-00	Écrou, Lock Fig. 3/8-16	--	581 90 12-01	Broyeuse
42	532 19 84-10	Ressort de torsion des freins	---	581 89 31-01	Ensemble du carter de tondeuse complet
43	532 19 72-56	Ressort de torsion des retenue			
46	532 13 77-29	Vis 1/4-20 x 5/8			
47	532 19 72-50	Support de câble d'embrayage			
55	532 19 72-49	Bras du galet-tendeur			
56	532 19 90-92	Ressort de retenue			
57	817 00 06-16	Vis 3/8-16 x 1			
59	532 14 10-43	Protecteur TUV du galet-tendeur			
60	532 19 94-71	Bras du frein			
63	532 19 94-77	Bras du frein			
64	532 40 51-38	Raccord			
67	532 40 30-12	Guidon			

**REMARQUE:** Toutes les dimensions de composant sont données en pouces É.-U. --1 pouce = 25,4 mm

**TRACTEUR - NO. DE MODÈLE YTH2146 (96048004200), NO. DE PROD. 960 48 00-42  
LEVAGE DE TONDEUSE**



lift-tex\_17\_r3

\*C'est possible No. def Ref. 101 sera substitué avec No. de Ref. 91

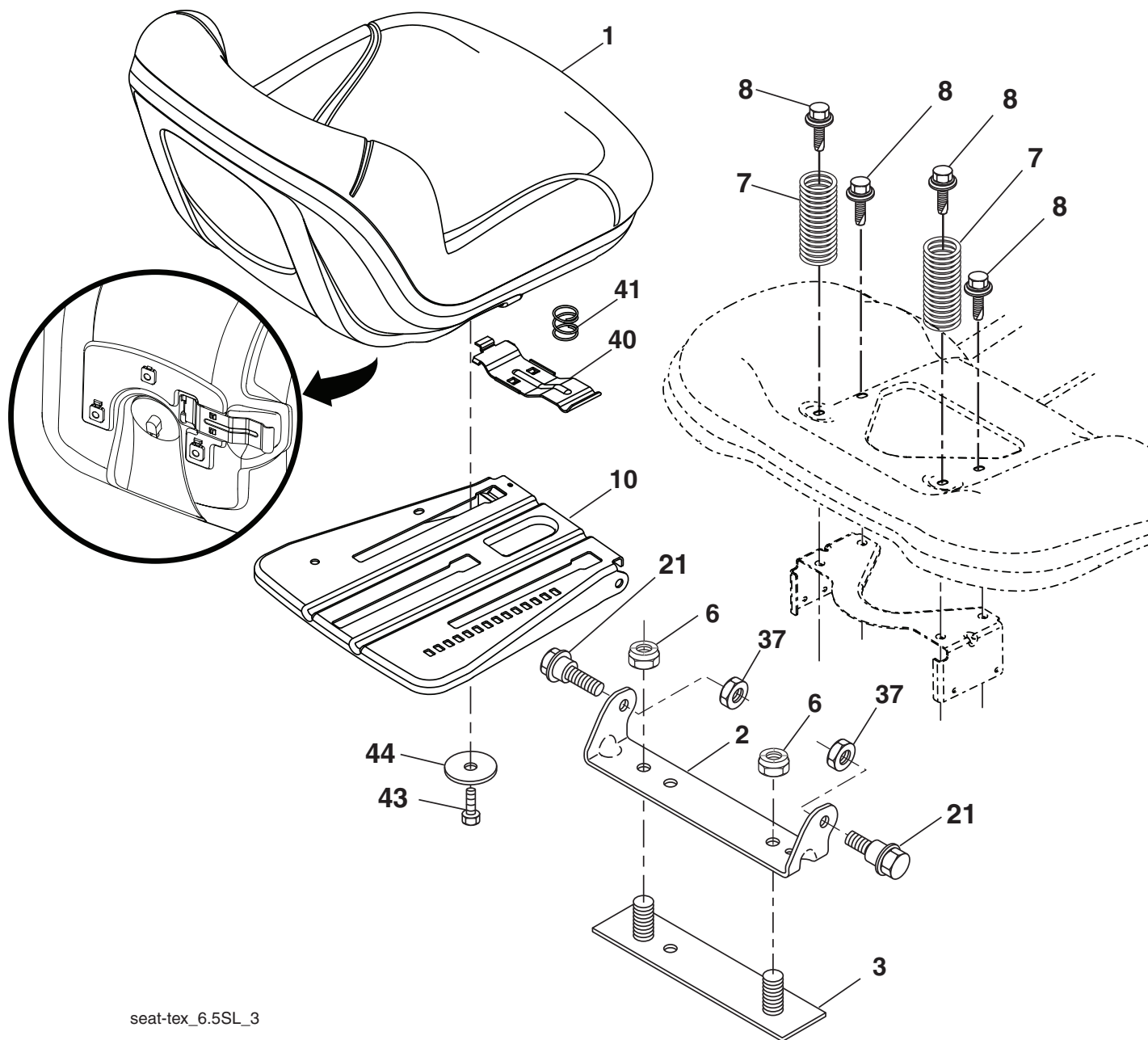
NO. DE RÉF.	NO DE PIÈCE	DESCRIPTION
2	532 42 20-27	Arbre
3	532 19 52-31	Ensemble de l'arbre de levage C.D.
7	580 96 23-01	Poignée du levier
10	532 19 63-14	Ressort de torsion
87	532 19 42-09	Goupille fendue 7/16 frein
88	532 41 07-10	Ressort
89	819 19 19-12	Rondelle
90	532 19 42-08	Goupille fendue 5/16 frein

NO. DE RÉF.	NO DE PIÈCE	DESCRIPTION
91	532 19 51-81	Levage d'accord, suspension arrière
97	817 00 06-12	Vis 3/8-16 x 3/4
98	532 19 52-70	Raccord de levage
100	873 93 06-00	Écrou 3/8-16 unc
101	532 40 70-03	Tige de levage stationnement

**REMARQUE:** Toutes les dimensions de composant sont données en pouces E.-U. --1 pouce = 25,4 mm



**TRACTEUR - NO. DE MODÈLE YTH2146 (96048004200), NO. DE PROD. 960 48 00-42**  
**ENSEMBLE DU SIÈGE**



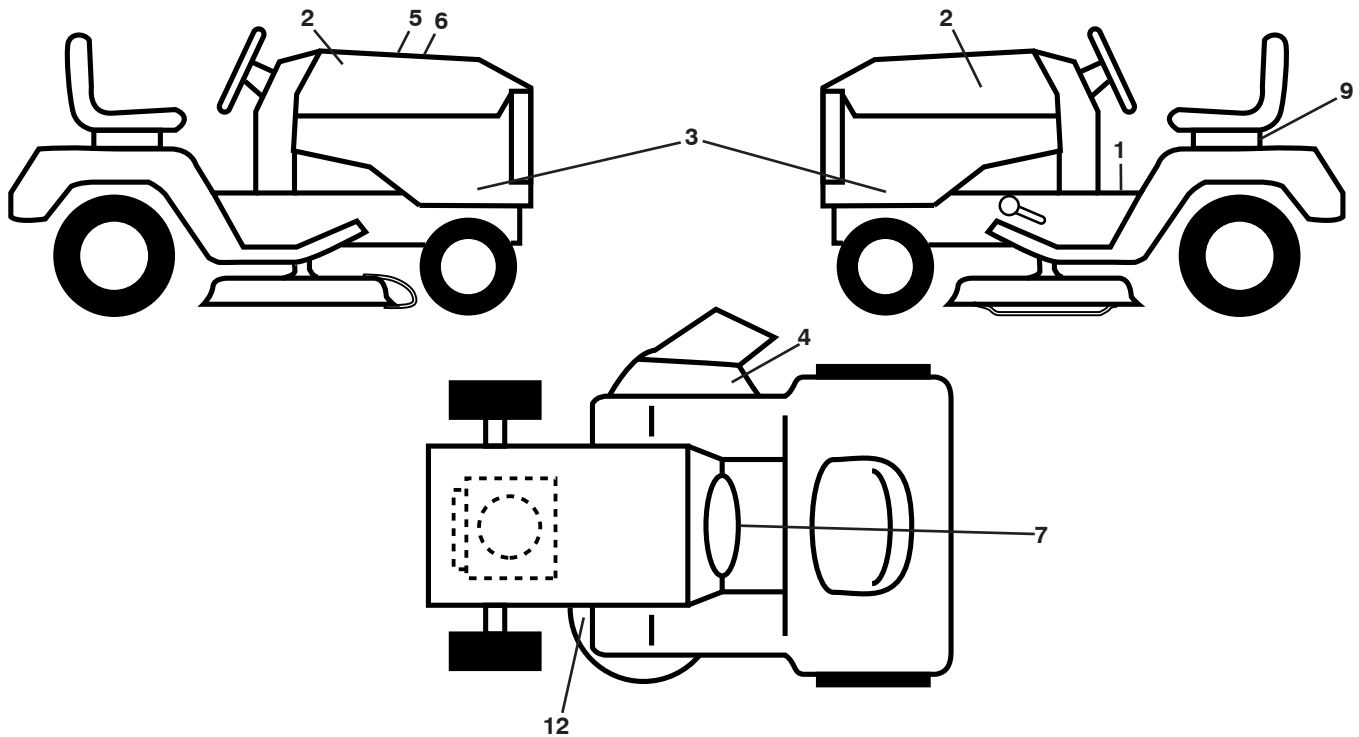
seat-tex\_6.5SL\_3

NO. DE RÉF.	NO DE PIÈCE	DESCRIPTION
1	532 43 98-22	Siège
2	532 18 01-66	Support de pivot
3	532 14 06-75	Attache de l'ensemble de l'aile
6	873 80 06-00	Écrou frein avec insert 3/8-16 unc
7	532 12 41-81	Ressort de compression du siège
8	532 17 18-77	Boulon 5/16-18 unc x 3/4
10	532 19 69-77	Cuvette du siège
21	532 17 18-52	Boulon à épaulement 5/16-18

NO. DE RÉF.	NO DE PIÈCE	DESCRIPTION
37	873 80 05-00	Écrou frein 5/16-18 unc
40	532 19 76-61	Guidon
41	532 19 82-00	Ressort de compression
43	874 76 06-12	Boulon 3/8-16 x 3/4
44	819 13 38-12	Rondelle 13/32 x 2-3/8 x 12 Ja.

**REMARQUE:** Toutes les dimensions de composant sont données en pouces É.-U. --1 pouce = 25,4 mm

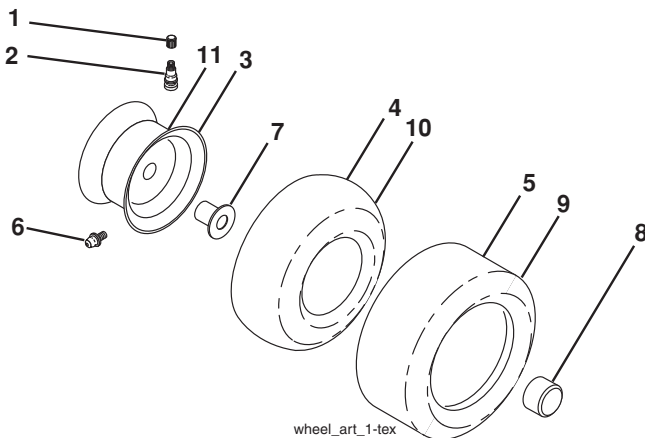
**TRACTEUR - NO. DE MODÈLE YTH2146 (96048004200), NO. DE PROD. 960 48 00-42**  
**DÉCALCOMANIE**



NO. DE RÉF.	NO DE PIÈCE	DESCRIPTION
1	532 41 16-58	Décalcomanie d'avertissement
2	532 42 91-96	Décalcomanie du capot
3	581 58 31-01	Décalcomanie du capot
4	532 17 05-63	Décalcomanie d'avertissement
5	532 42 38-29	Décalcomanie du responsabilités de client
6	581 51 16-01	Décalcomanie
7	532 43 52-96	Décalcomanie du moteur
9	532 14 50-05	Décalcomanie de danger/poison de la batterie

NO. DE RÉF.	NO DE PIÈCE	DESCRIPTION
12	532 16 03-96	Décalcomanie de la courroie rapézoïdale
--	532 16 69-60	Décalcomanie
--	532 43 96-81	Coussin d' repose-pied C.G.
--	532 43 96-82	Coussin d' repose-pied C.D.
--	581 55 37-96	Manuel de l'Opérateur (Anglais/ Français)
--	581 55 37-24	Manuel des pièces (Anglais/ Français)

**RUEDAS Y NEUMÁTICOS**



NO. DE RÉF.	NO DE PIÈCE	DESCRIPTION
1	532 05 91-92	Capuchon de la valve du pneu
2	532 06 51-39	Tubulure de la valve
3	532 13 83-36	Ensemble de la jante antérieure de 6"
4	532 05 99-04	Chambre à air antérieure
5	532 10 62-22	Le service de pneu de devant 15x 6.0-6
6	532 12 49-57	Graisser (roue antérieure seulement)
7	532 12 49-59	Palier à bride (roue antérieure seulement)
8	532 17 50-39	Chapeau de l'essieu 1 50 x 1 00
9	532 13 84-68	Pneu R 20 x 8-8 C
10	532 12 49-26	Chambre à air arrière
11	532 13 83-37	Ensemble de la jante arrière de 8"
--	532 14 43-34	Joint d'étanchéité de pneu (tube de .30L [10 oz. Tube])

**REMARQUE:** Toutes les dimensions de composant sont données en pouces É.-U. --1 pouce = 25,4 mm

---

# **SERVICE NOTES/REMARQUES D'ENTRETIEN**

---

**10/30/2012 BD**