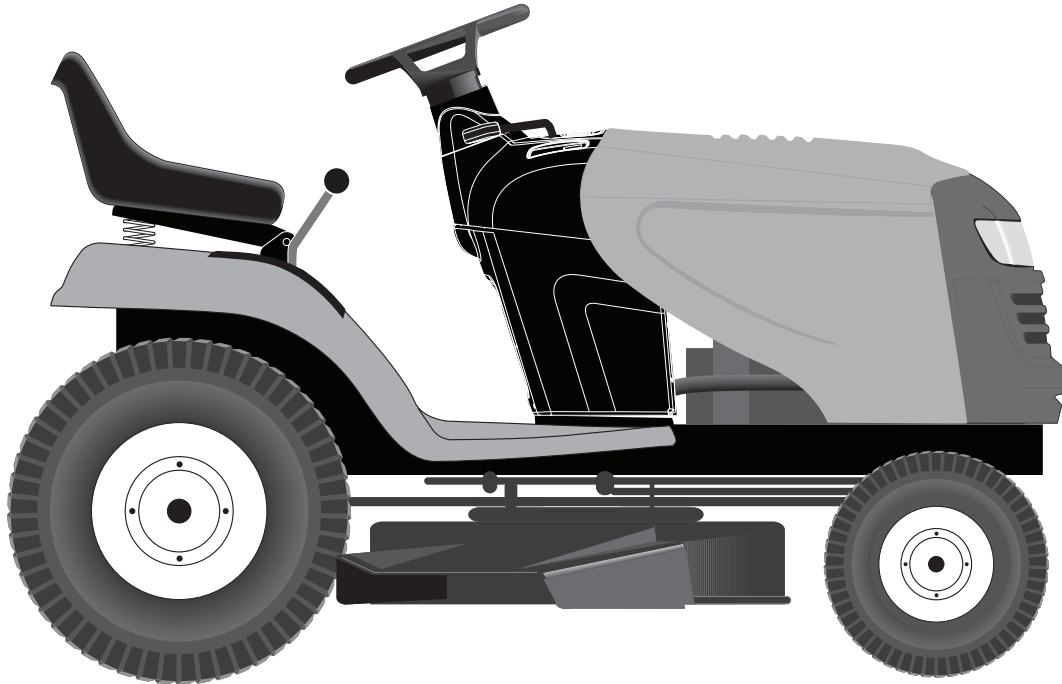


Poulan PRO



REPAIR PART'S MANUAL

MODEL:

PB185A42LT

LAWN TRACTOR

ALWAYS WEAR EYE PROTECTION DURING OPERATION

Visit our website: www.poulanpro.com



WARNING:

Read this Manual and follow all Warnings and Safety Instructions. Failure to do so can result in serious injury.

HOW TO USE THIS MANUAL

This manual is designed to provide the customer with a means to identify the parts on his/her tractor when ordering repair parts. The illustrations may or may not represent the actual assemblies; therefore, it is not recommended to use this manual as a guide to assemble or disassemble the tractor. Some hardware and parts are drawn larger in order to more readily identify them.

Each tractor has its own model number.

The model number for your tractor can be found on the fender under the seat.

When ordering parts, always give the following information:

- Product - "Tractor"
- MODEL NUMBER - "PB185A42LT (96048007300)"
- Part Number
- Part Description

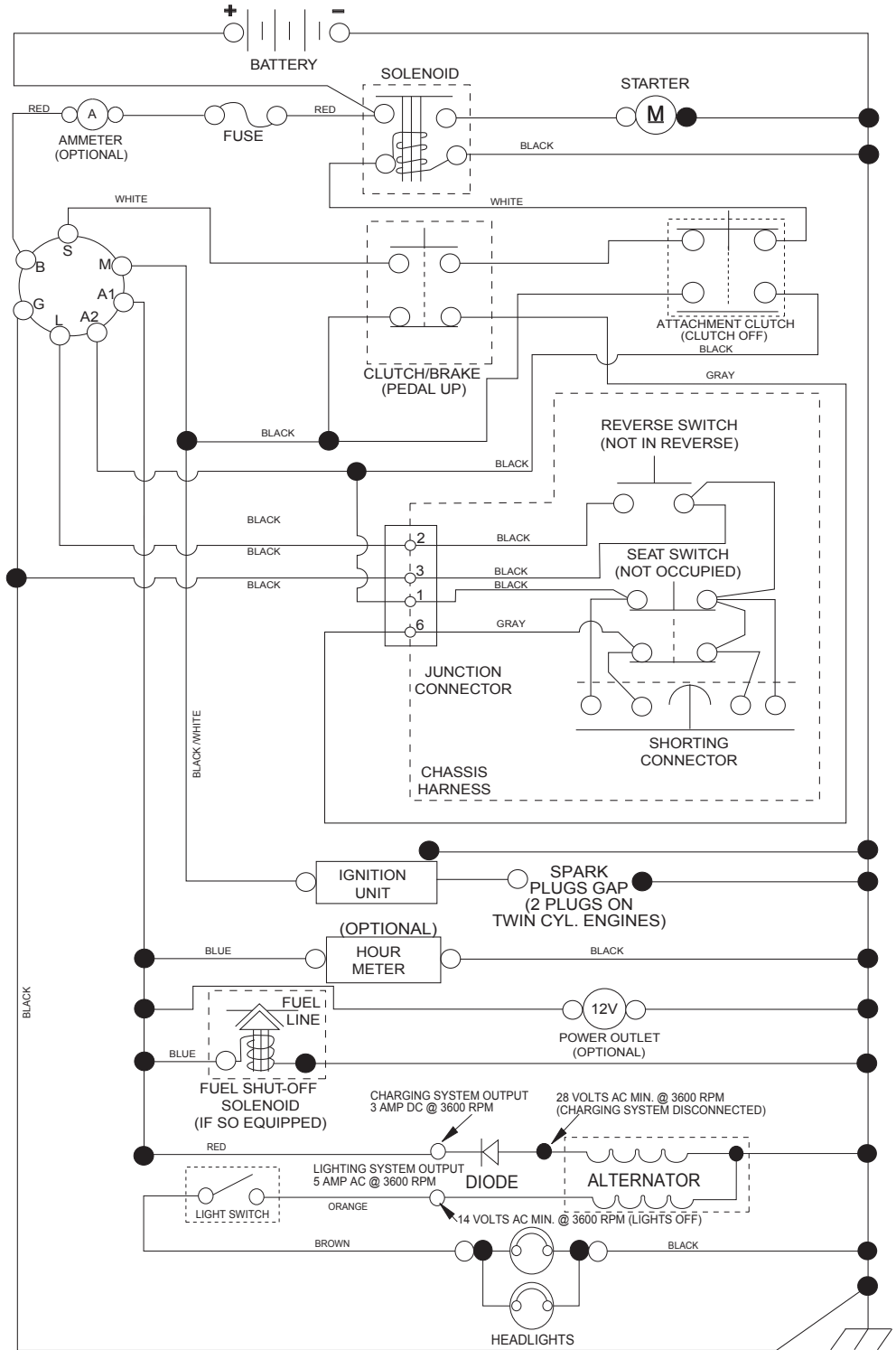
TABLE OF CONTENTS

| | |
|-------------------------|-------|
| SCHEMATIC | 3 |
| ELECTRICAL..... | 4-5 |
| CHASSIS | 6-7 |
| DRIVE..... | 8-9 |
| ENGINE..... | 10-11 |
| STEERING | 12-13 |
| MOWER DECK | 14-15 |
| MOWER LIFT..... | 16 |
| SEAT | 17 |
| DECALS..... | 18 |
| WARRANTY..... | 19 |
| PARTS AND SERVICE | 20 |

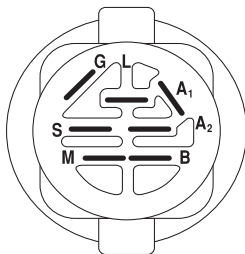
REPAIR PARTS

TRACTOR - - MODEL NUMBER PB185A42LT (96048007300), PRODUCT NO. 960 48 00-73 SCHEMATIC

SCH11

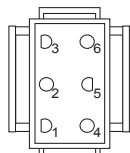


NOTE
YOUR TRACTOR IS EQUIPPED WITH A SPECIAL ALTERNATOR SYSTEM. THE LIGHTS ARE NOT CONNECTED TO THE BATTERY, BUT HAVE THEIR OWN ELECTRICAL SOURCE. BECAUSE OF THIS, THE BRIGHTNESS OF THE LIGHTS WILL CHANGE WITH ENGINE SPEED. AT IDLE THE LIGHTS WILL DIM. AS THE ENGINE IS SPEEDED UP, THE LIGHTS WILL BECOME THEIR BRIGHTEST.

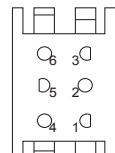


IGNITION SWITCH

| POSITION | CIRCUIT "MAKE" |
|--------------|----------------|
| OFF | M+G+A1 |
| RUN/OVERRIDE | B+A1 |
| RUN | B+A1 L+A2 |
| START | B + S + A1 |



CHASSIS HARNESS CONNECTOR (MATING SIDE)



DASH HARNESS CONNECTOR (MATING SIDE)

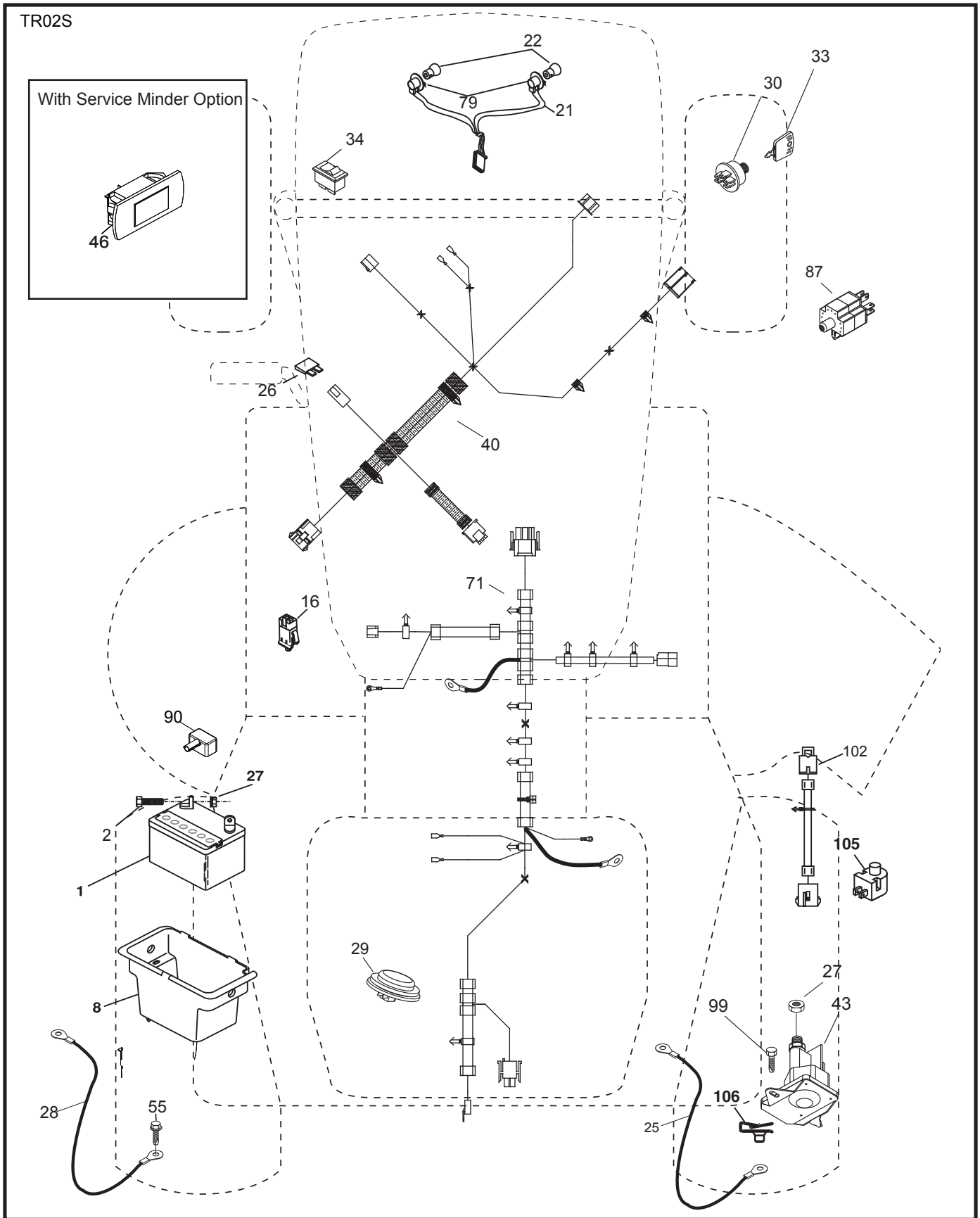
WIRING INSULATED CLIPS
NOTE: IF WIRING INSULATED CLIPS WERE REMOVED FOR SERVICING OF UNIT, THEY SHOULD BE RE-INSTALLED TO PROPERLY SECURE YOUR WIRING.

● NON-REMOVABLE CONNECTIONS

○ REMOVABLE CONNECTIONS

REPAIR PARTS

TRACTOR - - MODEL NUMBER PB185A42LT (96048007300), PRODUCT NO. 960 48 00-73
ELECTRICAL



REPAIR PARTS

TRACTOR - - MODEL NUMBER PB185A42LT (96048007300), PRODUCT NO. 960 48 00-73
ELECTRICAL

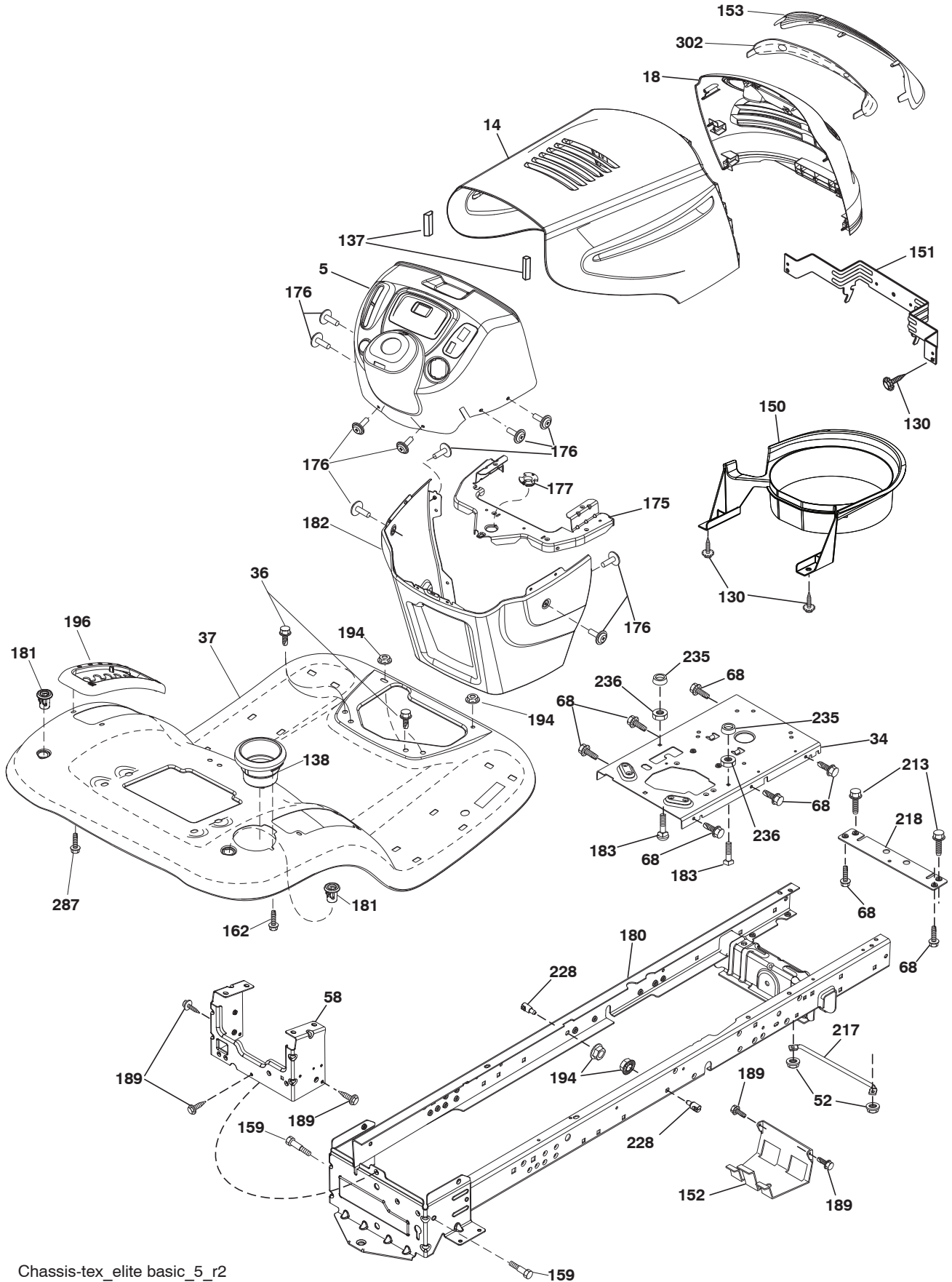
| KEY NO. | PART NO. | DESCRIPTION |
|---------|--------------|---|
| 1 | 532 16 34-65 | Battery |
| 2 | 874 76 04-12 | Bolt Hex Hd 1/4-20 unc x 3/4 |
| 8 | 532 19 32-28 | Box Battery |
| 16 | 532 17 61-38 | Switch Interlock |
| 21 | 532 18 37-59 | Harness Socket Light |
| 22 | 532 00 41-52 | Bulb, Light #1156 |
| 25 | 581 49 80-01 | Cable Starter 6 Ga. BL/Red 14.5 |
| 26 | 532 17 51-58 | Fuse |
| 27 | 873 51 04-00 | Nut Keps Hex 1/4-20 unc |
| 28 | 532 42 16-86 | Cable Ground 18" Rear Battery Blk 6 Ga. |
| 29 | 532 40 15-45 | Switch Seat |
| 30 | 532 19 33-50 | Switch Ign |
| 33 | 532 41 19-35 | Key/Chain |
| 34 | 532 11 07-12 | Switch Light/Reset |
| 40 | 581 02 31-01 | Harness Ign Dash |
| 43 | 532 19 25-07 | Solenoid |
| 55 | 817 06 05-12 | Screw 5/16-18 x 3/4 |
| 71 | 581 02 30-01 | Harness Ign. Chassis |
| 79 | 532 17 52-42 | Socket Asm. Bulb |
| 87 | 532 19 78-02 | Switch Interlock Clutch |
| 90 | 532 43 53-95 | Cover Terminal |
| 99 | 817 67 04-12 | Screw |
| 102 | 581 90 16-01 | Pigtail Harness Vatr. |
| 105 | 532 40 75-68 | Switch Reverse |
| 106 | 532 17 48-14 | Pal nut |

NOTE: All component dimensions given in U.S. inches
1 inch = 25.4 mm

REPAIR PARTS

TRACTOR - - MODEL NUMBER PB185A42LT (96048007300), PRODUCT NO. 960 48 00-73

CHASSIS



Chassis-tex_elite basic_5_r2

REPAIR PARTS

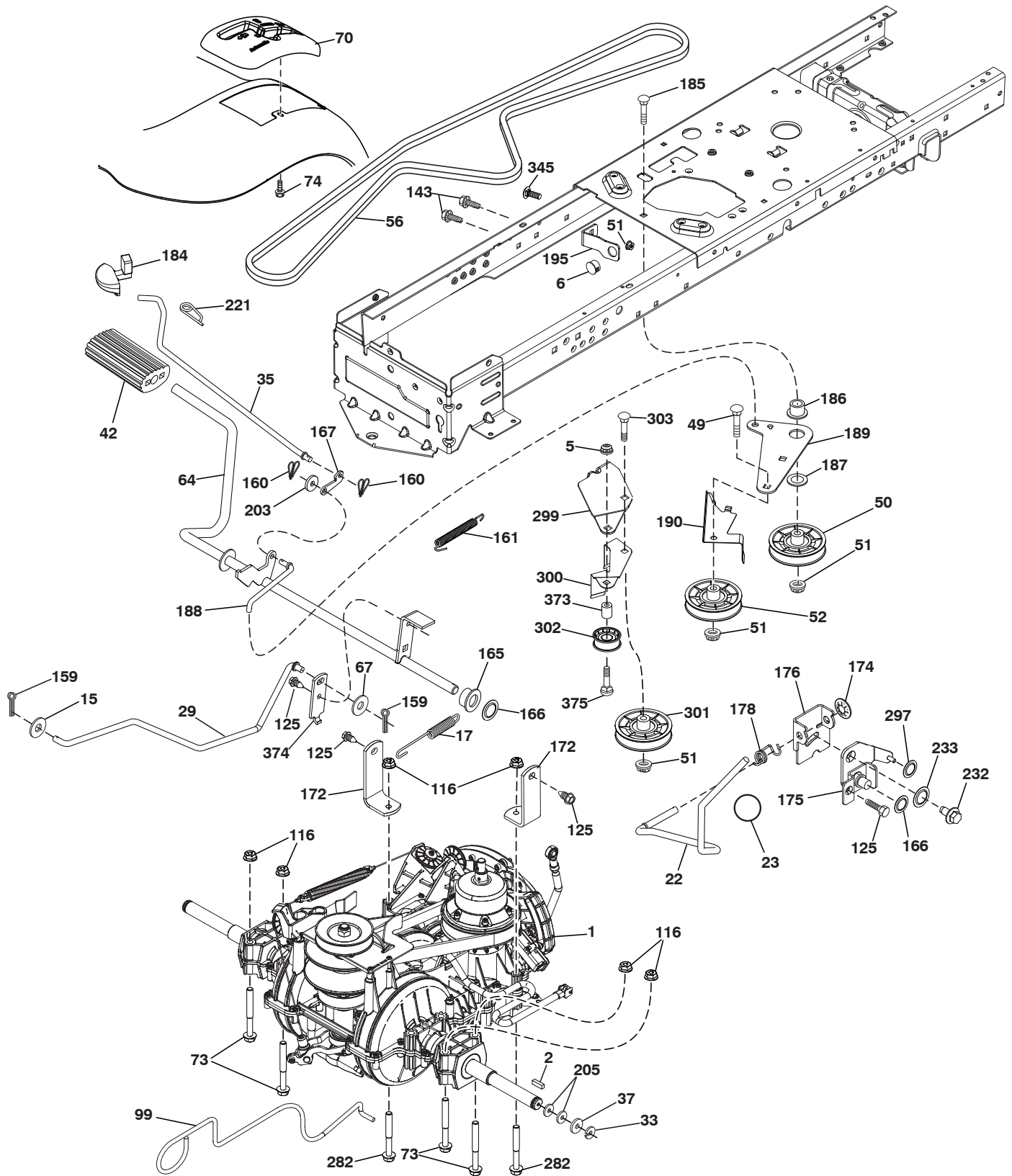
TRACTOR - - MODEL NUMBER PB185A42LT (96048007300), PRODUCT NO. 960 48 00-73
CHASSIS

| KEY NO. | PART NO. | DESCRIPTION |
|---------|--------------|----------------------------------|
| 5 | 532 41 17-64 | Dash |
| 14 | 532 18 58-47 | Hood |
| 18 | 532 42 67-92 | Grille |
| 34 | 580 91 08-01 | Plate Engine |
| 36 | 817 06 05-12 | Screw 5/16-18 x 3/4 |
| 37 | 532 43 65-23 | Fender |
| 52 | 873 68 05-00 | Nut Lock 5/16-18 |
| 58 | 532 41 22-80 | Drawbar Upper |
| 68 | 817 49 05-08 | Screw Thdrol 5/16-18 x 1/2 |
| 130 | 532 41 63-58 | Screw #10 x 0.750 |
| 137 | 532 18 49-21 | Bumper Hood |
| 138 | 532 40 97-30 | Cupholder |
| 150 | 532 18 44-61 | Duct Heat Hood |
| 151 | 532 40 78-07 | Bracket Pivot |
| 152 | 532 19 95-35 | Shield Browning |
| 153 | 532 18 98-37 | Lens Grille |
| 159 | 817 00 06-12 | Screw Hexwsh Thdrol 3/8-16 x 3/4 |
| 162 | 532 14 24-32 | Screw Hex Wsh Hi-Lo 1/4 x 1/2 |
| 175 | 532 19 32-43 | Crossmember |
| 176 | 532 40 07-76 | Screw 10-24 x 5/8 Wshd Qdrx |
| 177 | 532 19 52-28 | Bushing Steering |
| 180 | 532 41 50-63 | Chassis |
| 181 | 532 40 47-96 | Bushing Mtg. Fender Crgo. |
| 182 | 532 19 30-57 | Dash Lower |
| 183 | 874 52 05-20 | Bolt 5/16-18 x 1-1/4 |
| 189 | 817 00 05-12 | Screw 5/16-18 x 3/4 |
| 194 | 873 90 05-00 | Nut Lock Hex Flange 5/16-18 |
| 196 | 532 41 45-79 | Console Asm. Deck Lift |
| 213 | 874 76 05-12 | Bolt 5/16-18 x 3/4 |
| 217 | 532 40 91-67 | Rod Pivot Hood |
| 218 | 532 19 63-95 | X-Piece Hood Step |
| 228 | 532 19 51-61 | Stud Fastener |
| 235 | 532 40 61-29 | Spacer Fender |
| 236 | 873 93 05-00 | Nut Center Lock 5/16-18 |
| 287 | 817 60 04-06 | Screw 1/4-20 x 3/8 |
| 302 | 532 18 38-23 | Insert Lens Reflective |

NOTE: All component dimensions given in U.S. inches
1 inch = 25.4 mm

REPAIR PARTS

TRACTOR - - MODEL NUMBER PB185A42LT (96048007300), PRODUCT NO. 960 48 00-73
DRIVE



REPAIR PARTS

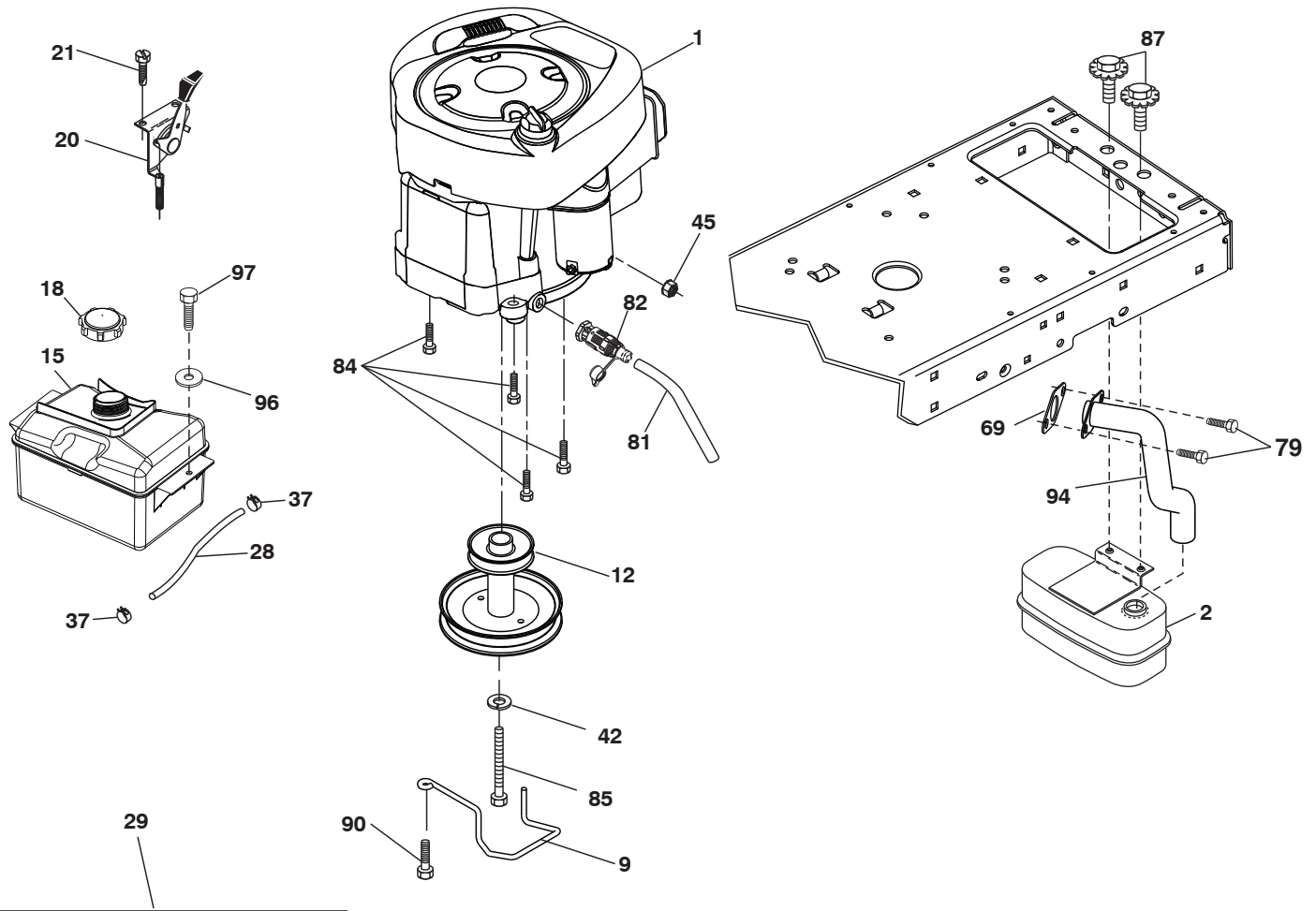
TRACTOR - - MODEL NUMBER PB185A42LT (96048007300), PRODUCT NO. 960 48 00-73
DRIVE

| KEY NO. | PART NO. | DESCRIPTION | KEY NO. | PART NO. | DESCRIPTION |
|---------|--------------|--|---------|--------------|-----------------------------------|
| 1 | --- | Transaxle, Gentrans Variator (580486301)(Order parts from transaxle manufacturer.) | 167 | 532 40 52-57 | Latch Brake Parking |
| 2 | 532 12 35-83 | Key Square 2.0 x .1845/.1865 | 172 | 583 97 42-01 | Strap Torque LH/RH |
| 5 | 873 68 06-00 | Nut Crownlock | 174 | 532 19 72-89 | Nut Push .500 |
| 6 | 532 12 40-28 | Bushing Snap | 175 | 532 41 56-77 | Shaft Asm Shift |
| 15 | 819 13 13-16 | Washer 13/32 x 13/16 x 16 Ga. | 176 | 532 19 62-14 | Arm Clevis Rod Shift |
| 17 | 584 95 40-01 | Spring Brake | 178 | 532 19 74-56 | Spring Shift Gt 2006 |
| 22 | 532 42 10-63 | Rod Shift | 184 | 532 44 15-04 | Handle Parking Brake.Lttex.505 |
| 23 | 532 14 08-45 | Knob | 185 | 872 11 06-22 | Bolt Rdhd 3/8-16 unc x 2-3/4 Gr.5 |
| 29 | 584 82 31-01 | Rod Brake | 186 | 532 19 43-21 | Spacer Retainer |
| 33 | 812 00 00-01 | E-Ring #5133-75 | 187 | 819 13 32-10 | Washer 13/32 x 2 x 10 Ga. |
| 35 | 532 19 77-22 | Rod Brake Parking Lt.Tex | 188 | 532 19 43-23 | Link Clutch Ground Drive |
| 37 | 532 18 89-67 | Washer Harden .793x1.637x060 | 189 | 532 19 43-17 | Bellcrank Groundrive Nstg/Nstl |
| 42 | 532 12 48-72 | Cover Pedal Blk Round | 190 | 532 19 43-18 | Keeper Bellcrank Drive Ground |
| 49 | 872 11 06-14 | Bolt Rdhd 3/8-16unc x 1-3/4.Gr 5 | 195 | 581 50 46-01 | Bracket Brake |
| 50 | 532 19 43-27 | Idler Flat | 203 | 819 11 11-16 | Washer 11/32 x 11/16 x 16 Ga. |
| 51 | 873 90 06-00 | Nut, Hex, Flangelock 3/8-16 | 205 | 532 12 17-48 | Washer 25/32 x 1-5/8 x 16 Ga. |
| 52 | 532 19 43-26 | Idler V-Groove | 221 | 532 40 31-87 | Retainer Spring Clip Handle |
| 56 | 532 19 72-53 | Belt.Drive.100.97" | 232 | 874 78 07-16 | Bolt Fin Hex 7/16-14 x 1 Gr5 |
| 64 | 580 40 15-01 | Shaft Asm. Pedal Brake Control | 233 | 532 40 52-96 | Washer Serrated |
| 67 | 819 13 13-12 | Washer 13/32 x 13/16 x 12 Ga. | 282 | 874 49 05-48 | Screw Thdrol 5/16-18 x 3 |
| 70 | 532 44 03-23 | Console | 297 | 532 42 02-23 | Nut Push 1/4 |
| 73 | 874 49 05-44 | Bolt Hex Flghd 5/16-18.Gr.5 | 299 | 532 41 56-83 | Bracket Mount Idler |
| 74 | 532 14 24-32 | Screw Hex Wsh.Hi-Lo.1/4 x 1/2 unc | 300 | 532 41 56-81 | Keeper Idler Rear |
| 99 | 532 43 59-35 | Rod Bypass | 301 | 532 41 56-80 | Pulley Idler V-Groove |
| 116 | 873 90 05-00 | Nut, Lock Hex Flange 5/16-18 unc | 302 | 581 42 05-01 | Pulley Idler Flat 2.0 Od |
| 125 | 817 00 05-12 | Screw 5/16-18 x 3/4.Smgml. Tap/Bl | 303 | 872 11 06-18 | Bolt Rdhd Sgnk 3/8-16 x 2-1/4 |
| 143 | 817 49 05-08 | Screw Thdrol 5/16-18 x 1/2 Tytt | 345 | 872 11 06-06 | Bolt Rdhd Sqnk 3/16 x 1 Gr. 5 |
| 159 | 876 02 04-12 | Pin Cotter 1/8 x 3/4 | 373 | 581 46 18-01 | Spacer Idler |
| 160 | 532 16 94-84 | Retainer Clip(M).Dia.290 | 374 | 581 47 52-01 | Arm Control Brake |
| 161 | 532 10 57-09 | Spring Return Clutch.6.75 | 375 | 874 76 06-36 | Bolt Hex |
| 165 | 532 19 62-12 | Bushing Shaft Brake Hand Contr | | | |
| 166 | 532 42 91-64 | Nut Push .625 | | | |

NOTE: All component dimensions given in U.S. inches
1 inch = 25.4 mm

REPAIR PARTS

TRACTOR - - MODEL NUMBER PB185A42LT (96048007300), PRODUCT NO. 960 48 00-73
ENGINE



OPTIONAL EQUIPMENT
SPARK ARRESTER

engine-tex_BS_77

REPAIR PARTS

TRACTOR - - MODEL NUMBER PB185A42LT (96048007300), PRODUCT NO. 960 48 00-73
ENGINE

| KEY NO. | PART NO. | DESCRIPTION |
|---------|--------------|--|
| 1 | — — — — — | Engine B&S Model No. 33R777-0005-G1 (586306801) (Order parts from engine manufacturer.) |
| 2 | 580 53 23-01 | Muffler |
| 9 | 532 19 43-19 | Keeper Belt Engine |
| 12 | 532 40 19-85 | Pulley Engine |
| 15 | 581 28 99-01 | Tank Fuel 1.50 |
| 18 | 532 43 02-20 | Cap Fuel |
| 20 | 532 17 05-45 | Control Throttle/Choke |
| 21 | 532 41 63-58 | Screw #10 x 0.750 |
| 28 | 532 40 11-37 | Fuel Line |
| 29 | 532 13 71-80 | Spark Arrester Kit |
| 37 | 532 12 34-87 | Clamp Hose |
| 42 | 810 04 07-00 | Washer Lock 7/16 |
| 45 | 873 51 04-00 | Nut Keps Hex 1/4-20 unc |
| 69 | 532 16 52-91 | Gasket |
| 79 | 532 19 23-34 | Screw Socket Hd 5/16-18 x .75 |
| 81 | 532 14 84-56 | Tube Drain Oil Easy |
| 82 | 532 42 82-87 | Valve Oil Drain |
| 84 | 817 06 06-20 | Screw 3/8-16 x 1-1/4 |
| 85 | 532 17 39-37 | Bolt Hex 7/16-20 x 4 x Gr. 5-1.5 |
| 87 | 532 17 18-77 | Bolt 5/16-18 unc |
| 90 | 817 00 06-16 | Screw 3/8-16 x 1.0 |
| 94 | 581 88 09-01 | Exhaust Tube |
| 96 | 819 09 14-16 | Washer 9/32 x 7/8 x 16 Ga. |
| 97 | 817 67 04-12 | Screw 1/4-20 x 3/4 |

NOTE: All component dimensions given in U.S. inches
1 inch = 25.4 mm

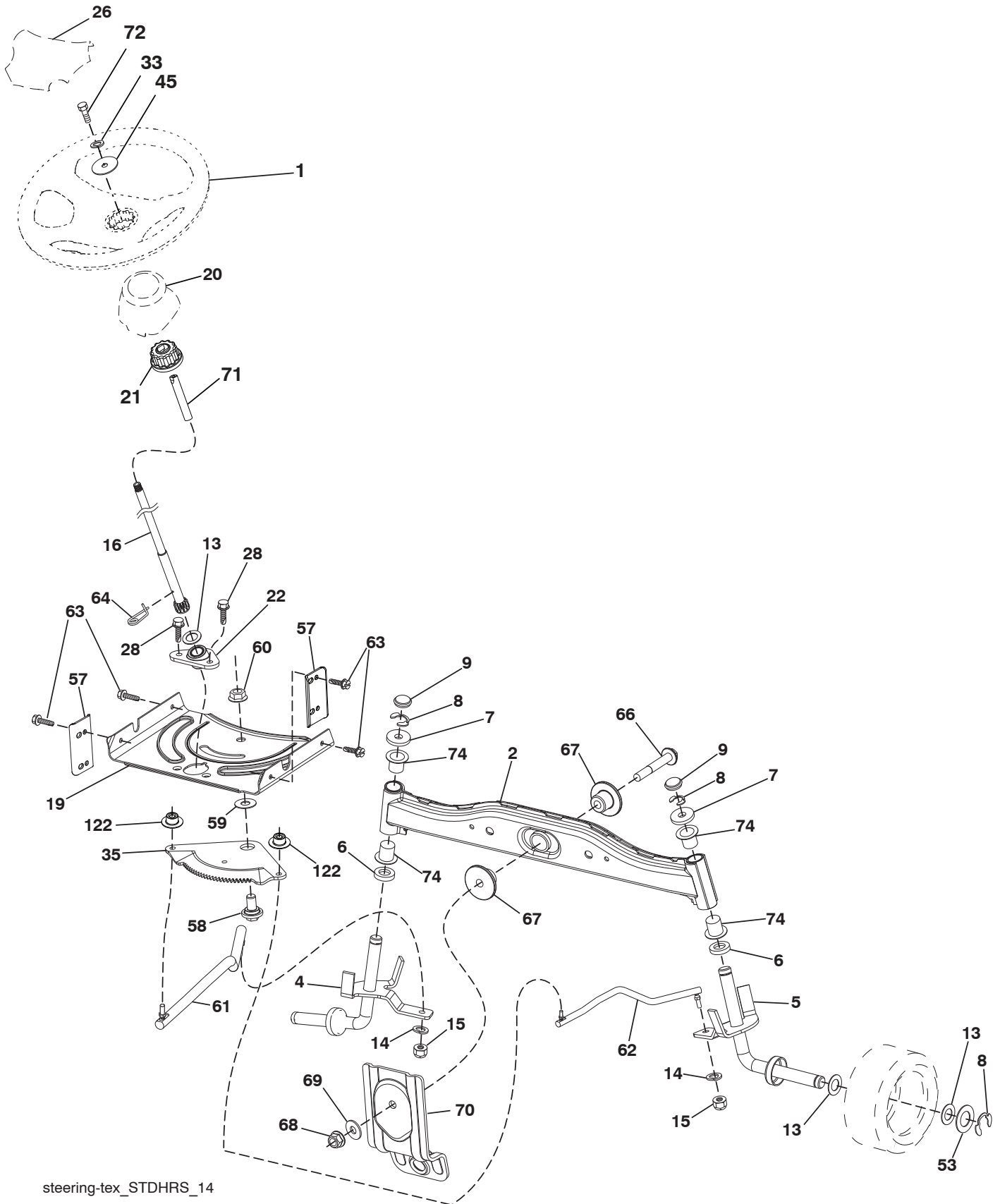
For engine service and replacement parts, call the toll free
number for your engine manufacturer listed below:
Briggs & Stratton 1-800-233-3723

Engine Power Rating Information

The gross power rating for individual gas engine models is labeled in accordance with SAE (Society of Automotive Engineers) code J1940 (Small Engine Power & Torque Rating Procedure), and rating performance has been obtained and corrected in accordance with SAE J1995 (Revision 2002-05). Torque values are derived at 3060 RPM; horsepower values are derived at 3600 RPM. Actual gross engine power will be lower and is affected by, among other things, ambient operating conditions and engine-to-engine variability. Given both the wide array of products on which engines are placed and the variety of environmental issues applicable to operating the equipment, the gas engine will not develop the rated gross power when used in a given piece of power equipment (actual "on-site" or net power). This difference is due to a variety of factors including, but not limited to, accessories (air cleaner, exhaust, charging, cooling, carburetor, fuel pump, etc.), application limitations, ambient operating conditions (temperature, humidity, altitude), and engine-to-engine variability. Due to manufacturing and capacity limitations, Briggs & Stratton may substitute an engine of higher rated power for this Series engine.

REPAIR PARTS

TRACTOR - - MODEL NUMBER PB185A42LT (96048007300), PRODUCT NO. 960 48 00-73
STEERING



steering-tex_STDHRS_14

REPAIR PARTS

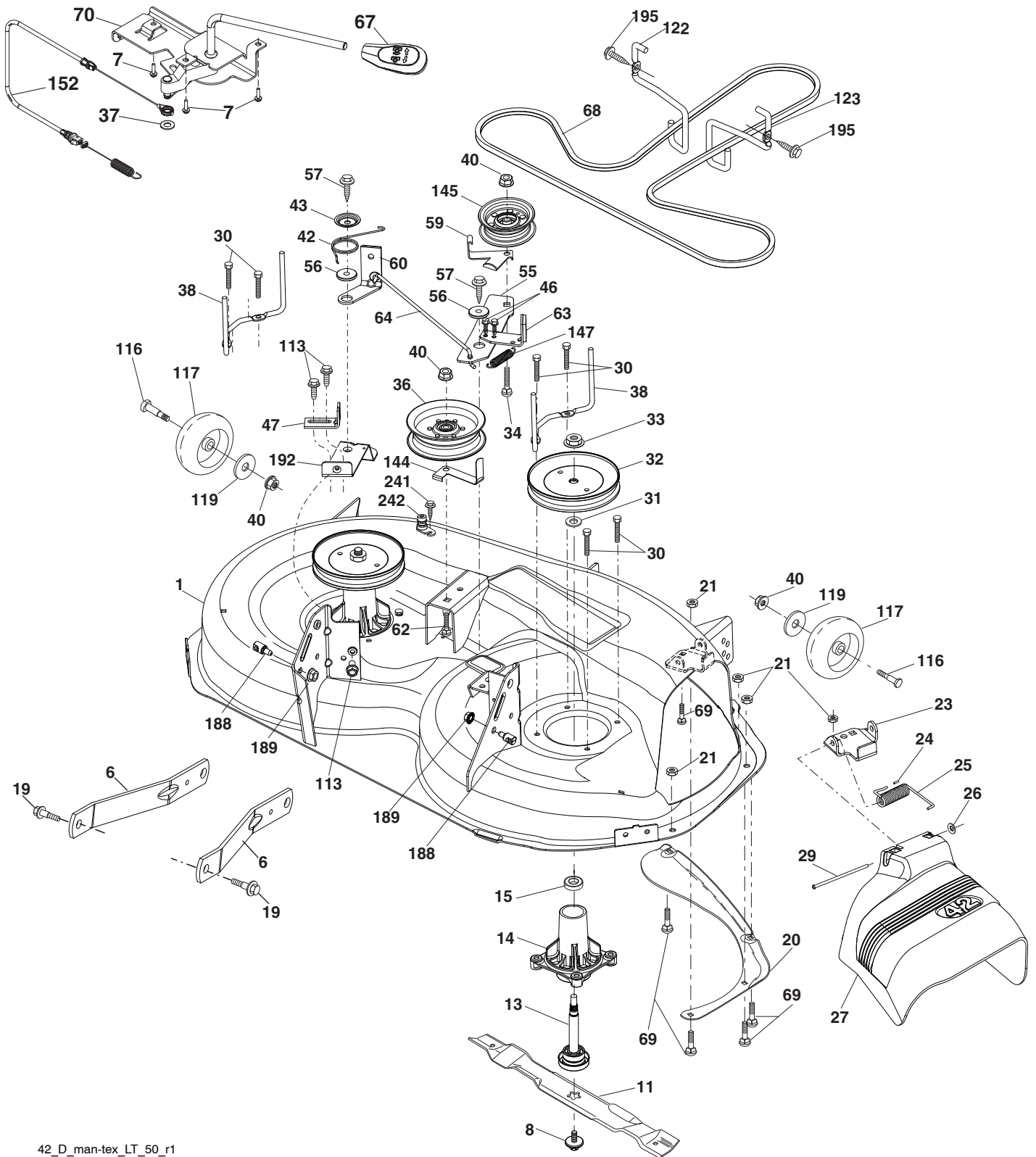
TRACTOR - - MODEL NUMBER PB185A42LT (96048007300), PRODUCT NO. 960 48 00-73
STEERING

| KEY NO. | PART NO. | DESCRIPTION |
|---------|--------------|-------------------------------------|
| 1 | 532 42 45-43 | Wheel, Steering |
| 2 | 532 41 81-68 | Axle Asm., Front |
| 4 | 532 40 30-87 | Spindle Asm., LH |
| 5 | 532 40 30-88 | Spindle Asm., RH |
| 6 | 532 12 49-31 | Washer Thrust 0.75 x 1.23 |
| 7 | 532 12 17-48 | Washer 25/32 x 1-5/8 x 16 Ga. |
| 8 | 812 00 00-29 | Ring, Clip #T5304-75 |
| 9 | 532 12 12-32 | Cap, Spindle |
| 13 | 532 12 17-49 | Washer 25/32 x 1-1/4 x 16 Ga. |
| 14 | 810 04 06-00 | Washer Lock 3/8 |
| 15 | 873 54 06-00 | Nut, Crown Lock 3/8-24 unf |
| 16 | 532 42 93-74 | Shaft Steering |
| 19 | 532 19 47-29 | Plate Steering |
| 20 | 532 41 12-91 | Boot, Steering |
| 21 | 532 18 67-37 | Adapter, Wheel Steering |
| 22 | 532 42 05-37 | Strg. Supt. Lower |
| 26 | 532 42 46-91 | Insert, Wheel Steering |
| 28 | 817 00 06-12 | Screw 3/8-16 x 3/4 |
| 33 | 810 04 05-00 | Washer Lock 5/16 |
| 35 | 532 19 47-32 | Gear, Sector Plate |
| 45 | 819 11 38-12 | Washer 11/32 x 2-3/8 x 12 Ga. |
| 53 | 532 18 89-67 | Washer Hardened .793 x 1.637 x .060 |
| 57 | 532 40 74-65 | Bracket Upstop |
| 58 | 532 19 47-47 | Bolt Shoulder Sector Pivot CFM |
| 59 | 532 19 47-48 | Washer Thrust Sector Steering |
| 60 | 873 97 10-00 | Nut Flange Lock 5/8-11 |
| 61 | 532 19 47-40 | Draglink, LH |
| 62 | 532 19 47-41 | Draglink, RH |
| 63 | 817 00 05-12 | Screw 5/16-18 x 3/4 |
| 64 | 532 19 98-49 | Retainer Clip Spring Steering |
| 66 | 871 02 07-48 | Bolt Hex Fghd 7/16-14 x 3 Serr |
| 67 | 532 19 47-37 | Bushing PM Front Axle |
| 68 | 873 90 07-00 | Nut Lock Flange 7/16-14 Gr. 5 |
| 69 | 532 19 91-62 | Washer 1.5 x .505 x .118 |
| 70 | 532 19 61-97 | Bracket Deck Susp. Front |
| 71 | 532 19 07-52 | Shaft Ext. Steering |
| 72 | 532 42 89-82 | Bolt 5/16-18 x 4 W/Patch |
| 74 | 532 12 49-37 | Bearing |
| 122 | 532 44 49-62 | Cap Gear Sector Tex |

NOTE: All component dimensions given in U.S. inches
1 inch = 25.4 mm

REPAIR PARTS

TRACTOR - - MODEL NUMBER PB185A42LT (96048007300), PRODUCT NO. 960 48 00-73
MOWER DECK



42_D_man-tex_LT_50_r1

REPAIR PARTS

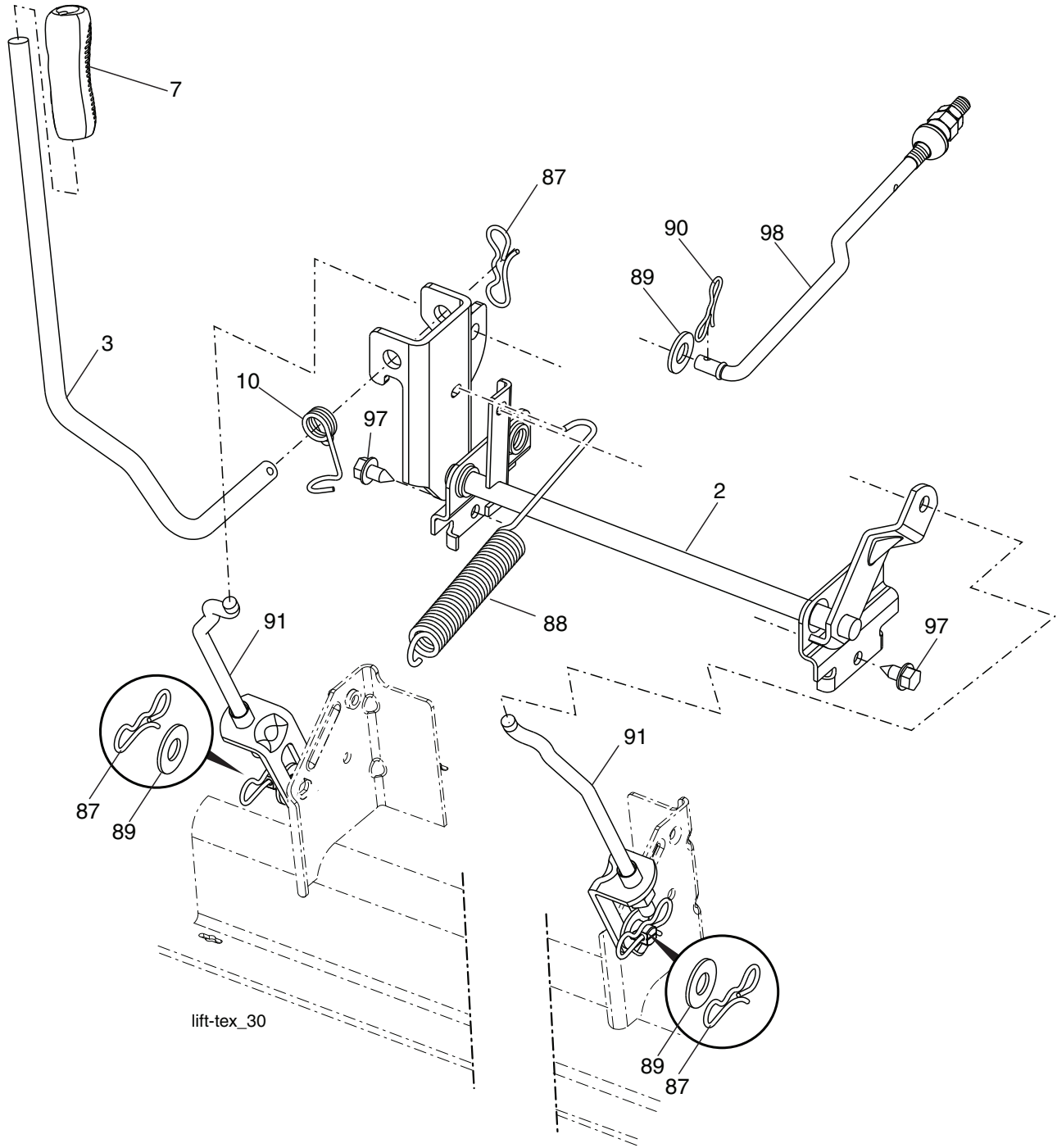
TRACTOR - - MODEL NUMBER PB185A42LT (96048007300), PRODUCT NO. 960 48 00-73
MOWER DECK

| KEY NO. | PART NO. | DESCRIPTION | KEY NO. | PART NO. | DESCRIPTION |
|---------|--------------|--|---------|--------------|---|
| 1 | 532 19 64-95 | Mower Housing | 57 | 817 00 06-16 | Screw Hexwsh Thd 3/8-16 x 1 |
| 6 | 532 19 51-86 | Arm Suspension | 59 | 532 14 10-43 | Guard, Tuv Idler (94) |
| 7 | 532 41 63-58 | Screw #10 x 0.750 BOS Thread | 60 | 532 19 72-61 | Arm Brake Mower |
| 8 | 532 19 30-03 | Bolt/Washer Asm 7/16-20 unf | 62 | 872 11 06-16 | Bolt Rdhd Sqnk 3/8-16 unc x 2 |
| 11 | 532 13 89-71 | Blade, 42" Hi-Lift (For bagging or discharge) | 63 | 532 19 94-77 | Arm Brake Mower |
| -- | 532 13 97-75 | Blade, 42" Mulching Premium (For better wear when mulching) | 64 | 532 19 97-90 | Linkage Brake |
| -- | 532 13 41-49 | Blade, 42" Mulching Std (For mulching mowers only) | 67 | 532 40 30-12 | Handle, Clutch Cable |
| -- | 532 42 47-52 | Blade 42SP" 3N1 | 68 | 532 42 96-36 | V-Belt |
| -- | 532 42 27-19 | Blade 42SP" Premium | 69 | 872 14 05-05 | Bolt Rdhd Sqnk 5/16-18 x 5/8 |
| 13 | 532 19 28-72 | Shaft Assembly, Mandrel | 70 | 532 19 83-32 | Clutch Asm. Manual |
| 14 | 532 18 72-81 | Housing, Mandrel | 113 | 817 00 05-10 | Screw 5/16-18 |
| 15 | 532 11 04-85 | Bearing, Ball, Mandrel | 116 | 532 12 48-42 | Bolt Shoulder "A" s.41 "B" 1.66 |
| 19 | 532 19 65-39 | Bolt, Shoulder | 117 | 532 18 86-06 | Wheel Gauge |
| 20 | 532 15 97-70 | Baffle, Vortex | 119 | 819 12 14-14 | Washer 3/8 x 7/8 x 14 Ga. |
| 21 | 873 68 05-00 | Nut, Crownlock 5/16-18 unc | 122 | 532 19 72-58 | Keeper Belt Eng. LH |
| 23 | 532 19 25-57 | Bracket, Deflector | 123 | 532 19 72-59 | Keeper Belt Eng. RH |
| 24 | 532 10 53-04 | Cap, Sleeve | 144 | 532 19 92-04 | Keeper Belt |
| 25 | 532 19 70-26 | Spring, Torsion, Deflector | 145 | 532 19 31-97 | Pulley Idler Primary |
| 26 | 532 11 04-52 | Nut, Push | 147 | 532 40 19-71 | Spring Return |
| 27 | 532 40 30-04 | Shield, Deflector | 152 | 584 24 35-01 | Cable Clutch Manual w/Spr. |
| 29 | 532 13 14-91 | Rod, Hinge | 188 | 532 19 51-61 | Stud Fastener |
| 30 | 532 17 39-84 | Screw Thdrol Rolling Wsh Hd | 189 | 873 90 05-00 | Nut Lock Hex Flange |
| 31 | 532 18 76-90 | Washer, Spacer | 192 | 532 19 72-60 | Bracket Brake Stand LH |
| 32 | 532 19 74-73 | Pulley, Mandrel | 195 | 817 00 06-12 | Screw Hexwsh Thdr 3/8-16 x 3/4 |
| 33 | 532 40 02-34 | Nut, Toplock, Flanged | 241 | 532 15 29-27 | Screw #10 - 32.5 3/8 Flange |
| 34 | 872 11 06-12 | Bolt Carr Sh. 3/8-16 x 1-1/2 Gr. 5 | 242 | 532 41 55-98 | Port Washout |
| 36 | 532 19 73-79 | Pulley, Idler 4.50 RAW | -- | 532 41 64-05 | Coupling Quick Connect |
| 37 | 819 13 13-16 | Washer 13/32 x 13/16 x 16 Ga. | -- | 532 19 28-70 | Mandrel Assembly (Includes housing (key #14), shaft assembly (key #13), and bearing only (key #15) - pulley/nut/washer and blade bolt/washers not included) |
| 38 | 532 43 25-20 | Keeper Belt Mandrel | -- | 532 43 77-30 | Replacement Mower, Complete |
| 40 | 873 90 06-00 | Nut, Lock Flg. 3/8-16 unc | | | |
| 42 | 532 19 84-10 | Spring Torsion Brake | | | |
| 43 | 532 19 72-56 | Spring Torsion Retainer | | | |
| 46 | 532 13 77-29 | Screw Thd Roll 1/4-20 x 5/8 | | | |
| 47 | 532 19 72-50 | Bracket Clutch Cable | | | |
| 55 | 532 43 71-10 | Arm, Idler | | | |
| 56 | 532 19 90-92 | Spacer, Retainer | | | |

NOTE: All component dimensions given in U.S. inches
1 inch = 25.4 mm

REPAIR PARTS

TRACTOR - - MODEL NUMBER PB185A42LT (96048007300), PRODUCT NO. 960 48 00-73
MOWER LIFT



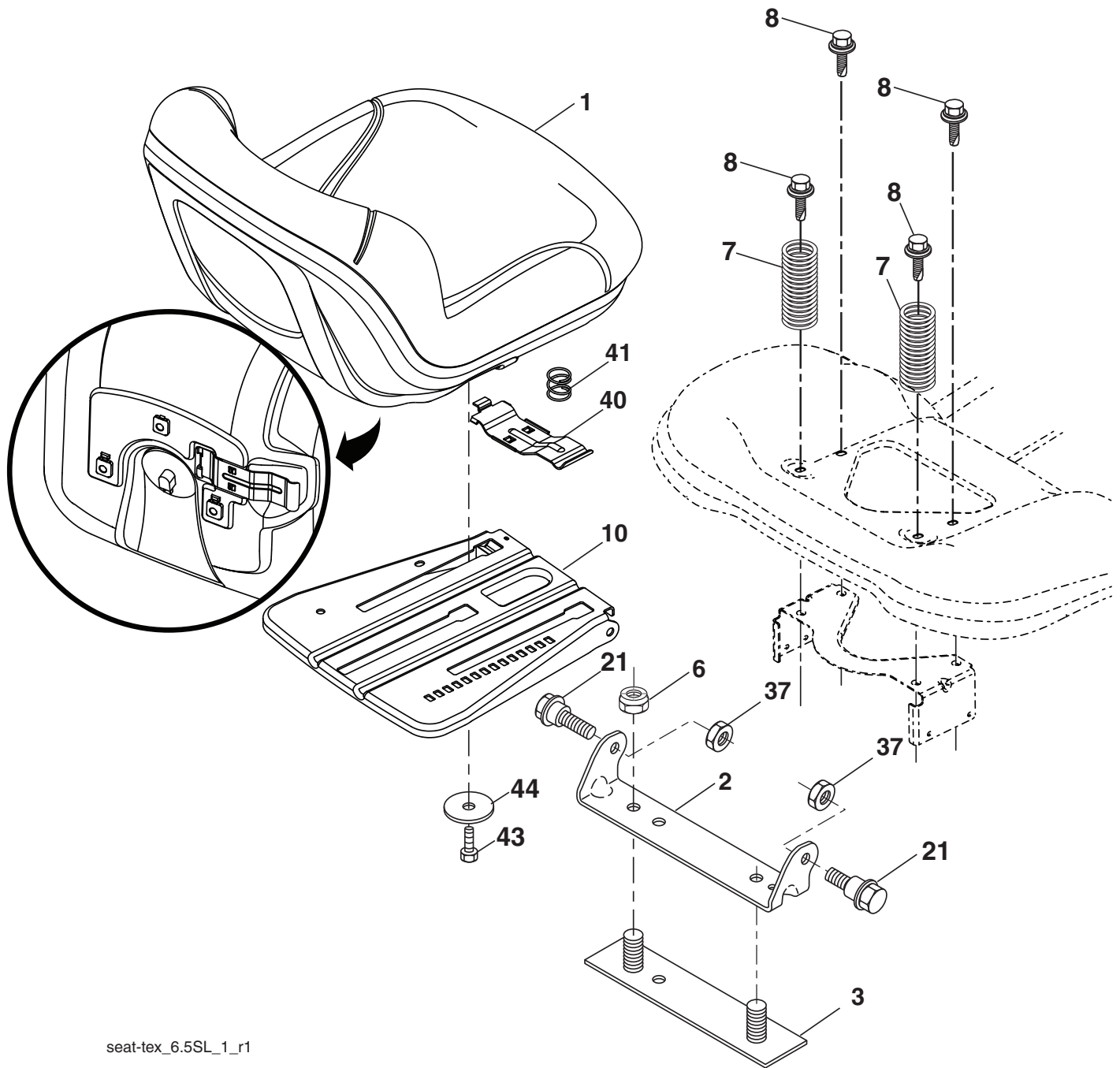
| KEY NO. | PART NO. | DESCRIPTION |
|---------|--------------|------------------------------|
| 2 | 532 42 20-27 | Shaft Asm., Cross Lift |
| 3 | 532 19 52-31 | Lever Asm., Lift RH |
| 7 | 580 96 23-01 | Grip, Lever |
| 10 | 532 19 63-14 | Spring Torsion |
| 87 | 532 19 42-09 | Pin Cotter 7/16 Bow Tie Lock |
| 88 | 532 41 07-10 | Spring Lift Assist |
| 89 | 819 19 19-12 | Washer Clear Zinc |
| 90 | 532 19 42-08 | Pin Cotter 5/16 Bow Tie Lock |

| KEY NO. | PART NO. | DESCRIPTION |
|---------|--------------|----------------------------------|
| 91 | 532 19 79-84 | Link Lift Susp Mower Rear |
| 97 | 817 00 06-12 | Screw 3/8-16 x .75 Smgml Tap/R.Z |
| 98 | 532 42 05-25 | Link Lift Susp. Front Mower |

NOTE: All component dimensions given in U.S. inches
1 inch = 25.4 mm

REPAIR PARTS

TRACTOR - - MODEL NUMBER PB185A42LT (96048007300), PRODUCT NO. 960 48 00-73
SEAT



seat-tex_6.5SL_1_r1

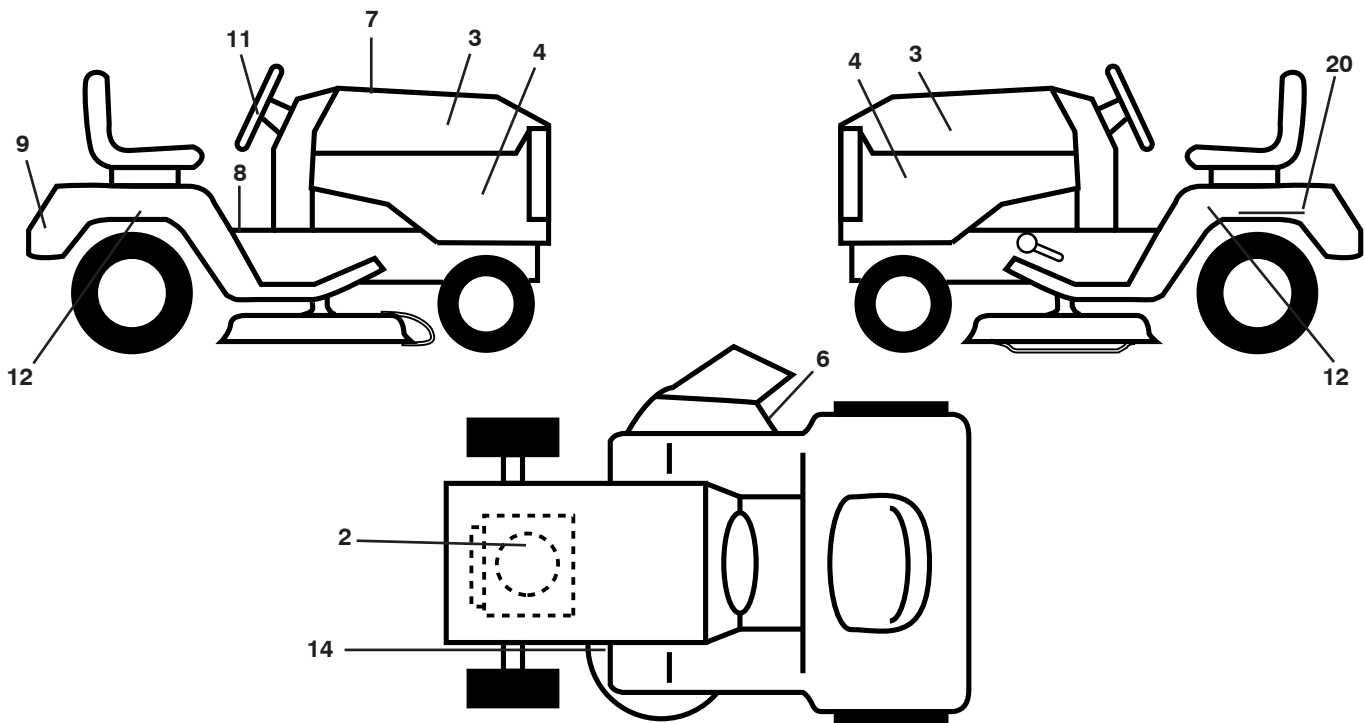
| KEY NO. | PART NO. | DESCRIPTION |
|---------|--------------|-------------------------------|
| 1 | 532 19 75-14 | Seat |
| 2 | 532 18 01-66 | Bracket Pivot Fender |
| 3 | 532 14 06-75 | Strap, Asm Fender |
| 6 | 873 80 06-00 | Nut, Lock w/Ins. 3/8-16 unc |
| 7 | 532 12 41-81 | Spring, Seat Cprsn |
| 8 | 532 17 18-77 | Bolt 5/16-18 unc x 3/4 w/Sems |
| 10 | 532 19 69-77 | Pan, Seat |
| 21 | 532 17 18-52 | Bolt, Shoulder 5/16-18 |

| KEY NO. | PART NO. | DESCRIPTION |
|---------|--------------|-------------------------------|
| 37 | 873 80 05-00 | Nut, Lock 5/16-18 unc |
| 40 | 532 19 76-61 | Handle Slide |
| 41 | 532 19 82-00 | Spring Latch |
| 43 | 874 76 06-12 | Bolt 3/8-16 unc x 3/4 |
| 44 | 819 13 38-12 | Washer 13/32 x 2 3/8 x 12 Ga. |

NOTE: All component dimensions given in U.S. inches
1 inch = 25.4 mm

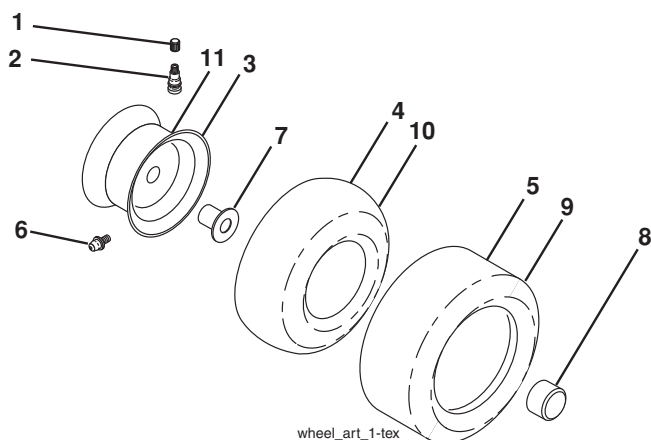
REPAIR PARTS

TRACTOR - - MODEL NUMBER PB185A42LT (96048007300), PRODUCT NO. 960 48 00-73



| KEY NO. | PART NO. | DESCRIPTION | KEY NO. | PART NO. | DESCRIPTION |
|---------|--------------|-------------------------------|---------|--------------|------------------------------------|
| 2 | 585 55 60-01 | Decal Eng. H.P. | 12 | 586 33 59-01 | Decal Fend SD |
| 3 | 532 44 52-35 | Decal Hood | 14 | 581 58 00-01 | Decal V-Belt Schematic |
| 4 | 586 33 60-01 | Decal Side Panel Logo | 20 | 532 14 50-05 | Decal Bat Dan/Psn |
| 6 | 581 57 95-01 | Decal Warning, Keep Hand Away | -- | 581 72 48-01 | Decal Bypass |
| 7 | 586 30 86-01 | Decal Replacement Parts | -- | 532 40 95-05 | Pad Footrest LH |
| 8 | 581 57 90-01 | Decal Fender Warn S/F | -- | 532 41 12-73 | Pad Footrest RH |
| 9 | 532 44 52-34 | Decal Fender Logo | -- | 586 33 06-26 | Manual Operator's (English/French) |
| 11 | 532 43 85-01 | Decal Ins Strg Whl | -- | 586 33 06-32 | Manual Parts (English/French) |

WHEELS AND TIRES



| KEY NO. | PART NO. | DESCRIPTION |
|---------|--------------|-----------------------------------|
| 1 | 532 05 91-92 | Cap Valve Tire |
| 2 | 532 06 51-39 | Stem Valve |
| 3 | 532 43 96-73 | Rim Asm 6" Front |
| 4 | 532 05 99-04 | Tube Front (Service Item Only) |
| 5 | 532 10 62-22 | Tire Front 15 x 6-6 |
| 6 | 532 12 49-57 | Fitting Grease (Front Wheel Only) |
| 7 | 532 12 49-59 | Bearing Flange (Front Wheel Only) |
| 8 | 532 17 50-39 | Cap Axle |
| 9 | 532 13 84-68 | Tire Rear 20 x 8-8 |
| 10 | 532 12 49-26 | Tube Rear (Service Item Only) |
| 11 | 532 44 08-81 | Rim Asm 8" Rear Service |
| -- | 532 14 43-34 | Sealant, Tire (Not Shown) |

NOTE: All component dimensions given in U.S. inches
1 inch = 25.4 mm

LIMITED WARRANTY

The Manufacturer warrants to the original consumer purchaser that this product as manufactured is free from defects in materials and workmanship. For a period of two (2) years from date of purchase by the original consumer purchaser, we will repair or replace, at our option, without charge for parts or labor incurred in replacing parts, any part which we find to be defective due to materials or workmanship. This Warranty is subject to the following limitations and exclusions.

1. This warranty does not apply to the engine, transaxle/transmission components, battery (except as noted below) or components parts thereof. Please refer to the applicable manufacturer's warranty on these items.
2. Transportation charges for the movement of any power equipment unit or attachment are the responsibility of the purchaser. Transportation charges for any parts submitted for replacement under this warranty must be paid by the purchaser unless such return is requested by the manufacturer.
3. Battery Warranty: On products equipped with a Battery, we will replace, without charge to you, any battery which we find to be defective in manufacture, during the first ninety (90) days of ownership. After ninety (90) days, we will exchange the Battery, charging you 1/12 of the price of a new Battery for each full month from the date of the original sale. Battery must be maintained in accordance with the instructions furnished.
4. The Warranty period for any products used for rental or commercial purposes is limited to 90 days from the date of original purchase.
5. This Warranty applies only to products which have been properly assembled, adjusted, operated, and maintained in accordance with the instructions furnished. This Warranty does not apply to any product which has been subjected to alteration, misuse, abuse, improper assembly or installation, delivery damage, or to normal wear of the product.
6. Exclusions: Excluded from this Warranty are belts, blades, blade adapters, normal wear, normal adjustments, standard hardware and normal maintenance.
7. In the event you have a claim under this Warranty, you must return the product to an authorized service dealer.

Should you have any unanswered questions concerning this Warranty, please contact:

HOP
Outdoor Products Customer Service Dept.
9335 Harris Corners Parkway
Charlotte, NC 28269 USA

In Canada contact:
HOP
5855 Terry Fox Way
Mississauga, Ontario
L5V 3E4

giving the model number, serial number and date of purchase of your product and the name and address of the authorized dealer from whom it was purchased.

THIS WARRANTY DOES NOT APPLY TO INCIDENTAL OR CONSEQUENTIAL DAMAGES AND ANY IMPLIED WARRANTIES ARE LIMITED TO THE SAME TIME PERIODS STATED HEREIN FOR OUR EXPRESSED WARRANTIES. Some areas do not allow the limitation of consequential damages or limitations of how long an implied Warranty may last, so the above limitations or exclusions may not apply to you. This Warranty gives you specific legal rights, and you may have other rights which vary from locale to locale.

This is a limited Warranty within the meaning of that term as defined in the Magnuson-Moss Act of 1975.

Poulan PRO

PARTS AND SERVICE

This product has been expertly engineered and carefully manufactured to rigid quality standards. As with all mechanical products, some adjustments or part replacement may be necessary during the life of your unit.

For Parts and service, contact our authorized distributor: call 1-800-849-1297

- For replacement parts, have available the following information:
 - a. Model Number/Manufacturer's I.D. Number
 - b. Description of part.

For Technical Assistance: call 1-800-829-5886

For a Parts Manual, go to our website: www.poulanpro.com

NOTE: HOP provides parts and service through its authorized distributors and dealers; therefore, all requests for parts and service should be directed to your local dealer(s). The philosophy of HOP is to continually improve all of its products. If the operating characteristics or the appearance of your product differs from those described in this Manual, please contact your local dealer for updated information and assistance.

Poulan PRO

L'ENTRETIEN ET LES PIÈCES DE RECHANGE

Ce produit, conçu avec les soins les plus attentifs, est fabriqué en accord avec des standards stricts. Comme pour tous les produits avec des parties mobiles, il peut être nécessaire pendant la durabilité de votre machine d'effectuer des ajustements ou le remplacement de certaines pièces .

Pour les pièces de rechange et l'entretien, contactez notre concessionnaire autorisé: appelez 1-800-849-1297

• Pour les pièces de rechange, ayez près de vous:

a. Numéro du modèle/Référence numéro du fabricant

b. Description de la pièce

Pour l'assistance technique: appelez 1-800-829-5886

Pour un manuel de pièces, allez à notre site web: www.poulanpro.com

N.B.: HOP assure la distribution des pièces de rechange et l'entretien de ses produits par l'intermédiaire des concessionnaires et des distributeurs agréés; par conséquent toute demande de pièces ou d'entretien doit être adressée directement au distributeur agréé le plus proche. La philosophie de HOP est d'améliorer en permanence la gamme complète de ses produits. Si les caractéristiques ou l'apparence de votre outil sont différentes de celles décrites dans ce Manuel, contactez S.V.P. votre concessionnaire pour les informations et l'assistance concernant les mises à jour.

GARANTIE LIMITÉE

Le Fabricant garantit à l'acheteur initial que son produit tel que manufacturé est libre de défaut de matière et d'ouvrage. Pendant deux (2) ans, à compter de la date d'achat de la part de l'acheteur initial, nous réparerons ou remplacerons à notre choix, gratuitement, toute pièce, sur laquelle nous estimerons qu'il existe un défaut de matière ou d'ouvrage. Cette garantie est soumise aux limitations et exceptions suivantes:

1. Cette garantie ne couvre pas le moteur, la transmission/composants, la batterie (sauf comme mentionnée ci-dessous) ou les pièces détachées. Veuillez-vous consulter la garantie applicable du fabricant des articles.
2. L'acheteur est responsable des frais de transport de tous les équipements actionnés par moteur ou les accessoires. L'acheteur est responsable des frais aussi du transport de toutes les pièces (couvertes par cette garantie) soumis pour le remplacement à moins que manufacturé demande à l'acheteur de renvoyer les pièces.
3. Garantie de la batterie: Pour les produits équipés d'une batterie, nous remplacerons, gratuitement, toute batterie estimée défectueuse pendant les quatre-vingt-dix (90) jours initiaux suivant l'achat. Après quatre-vingt-dix (90) jours, nous échangeons la batterie, le coût pour vous être 1/12 du prix d'une nouvelle batterie pour chaque mois complet à compter de la date d'achat initiale. La batterie doit être entretenue selon les directives données dans la documentation appropriée.
4. La période de garantie applicable aux produits proposés en location ou à des fins commerciales est limitée à quatre-vingt-dix (90) jours à compter de la date d'achat initiale.
5. Cette garantie ne s'applique qu'aux produits correctement montés, réglés, utilisés et entretenus conformément aux instructions données dans la documentation appropriée. Cette garantie ne s'applique pas aux produits qui ont été modifiés, utilisés incorrectement, abusés, mal installés ou avariés lors de la livraison ou usage normal.
6. Exclusions: Les courroies, les lames, les adaptateurs de lame, l'usage normal, les réglages normaux, la visserie standard, et l'entretien normal sont exclus de cette garantie.
7. En cas de problème entrant dans le cadre de cette garantie, veuillez-vous retourner votre machine à un concessionnaire autorisé.

Si vous auriez aucune question sans réponse concernant cette garantie, s'il vous plaît contactez:

HOP
Outdoor Products Customer Service Dept.
9335 Harris Corners Parkway
Charlotte, NC 28269 USA

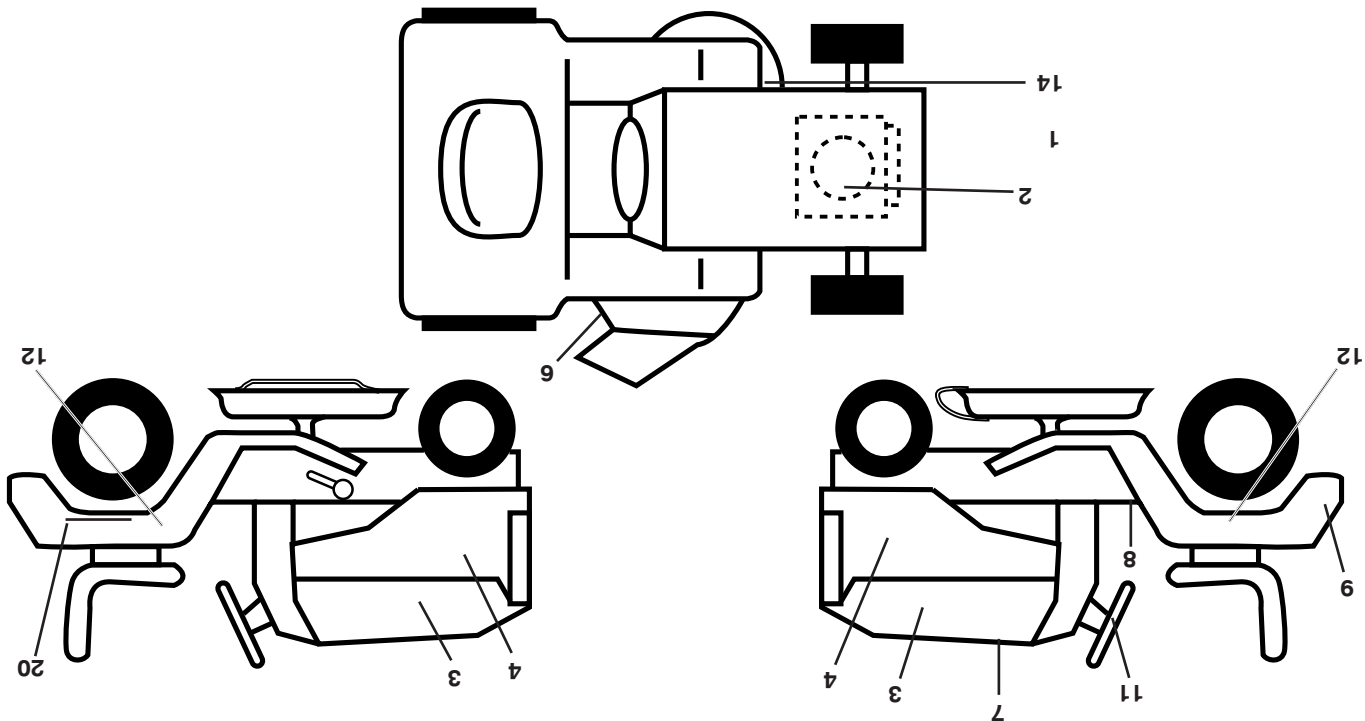
Au Canada:
HOP
5855 Terry Fox Way
Mississauga, Ontario
L5V 3E4

en nous donnant le numéro du modèle, le numéro de série, la date d'achat de votre machine ainsi que l'adresse du concessionnaire autorisé chez qui vous l'avez achetée.

CETTE GARANTIE NE COUVRE AUCUN DOMMAGE INCIDENTEL OU CONSÉQUENT ET TOUTE GARANTIE IMPLICITE EST LIMITEE AUX MEMES PERIODES PRECISEES ICI POUR LES GARANTIES EXPLICITES DU FABRICANT. Certaines localités ne permettent aucune restriction des dommages consécutifs ou de la durée d'une garantie implicite et, par conséquent, il se pourrait que les restrictions et exclusions énoncées ci-dessus ne s'appliquent pas à vous. Cette garantie vous donne droits légaux spécifiques et vous pouvez aussi jouir d'autres droits d'un endroit à un autre.

Cette garantie est une garantie limitée comme définie dans la loi Magnuson-Moss Act de 1975.

DÉCALCOMANIE



NO.
DE
REF.

585 55 60-01 Décalcomanie du moteur C.V.
532 44 52-35 Décalcomanie du capot
586 33 60-01 Décalcomanie du logo de panneau latéral
581 57 95-01 Décalcomanie d'avertissement, mains
586 30 86-01 Décalcomanie de pièces de rechange
581 57 90-01 Décalcomanie d'avertissement, aile
532 44 52-34 Décalcomanie de l'aile
532 43 85-01 Décalcomanie de volant de direction

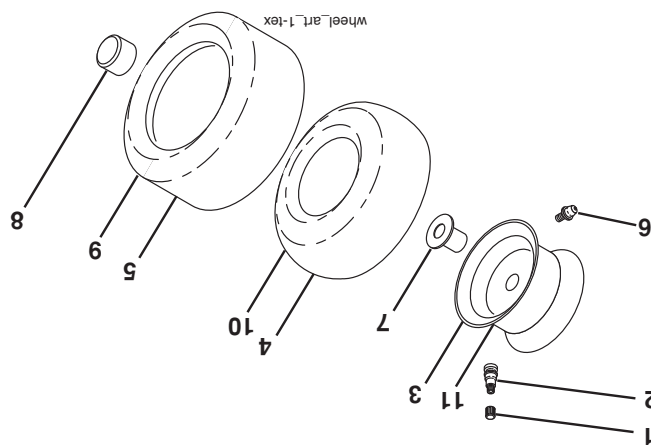
DESCRIPTION

NO.
DE
REF.

586 33 59-01 Décalcomanie du de l'aile C.D.
581 58 00-01 Décalcomanie de la courroie trapézoïdale
532 14 50-05 Décalcomanie de la batterie
581 72 48-01 Décalcomanie de dérivation
532 40 95-05 Coussin d repose-pied C.G.
532 41 12-73 Coussin d repose-pied C.D.
586 33 06-26 Manuel du l'opérateur (Français/Anglais)
586 33 06-32 Manuel du pièces (Français/Anglais)

DESCRIPTION

ROUES & PNEUS

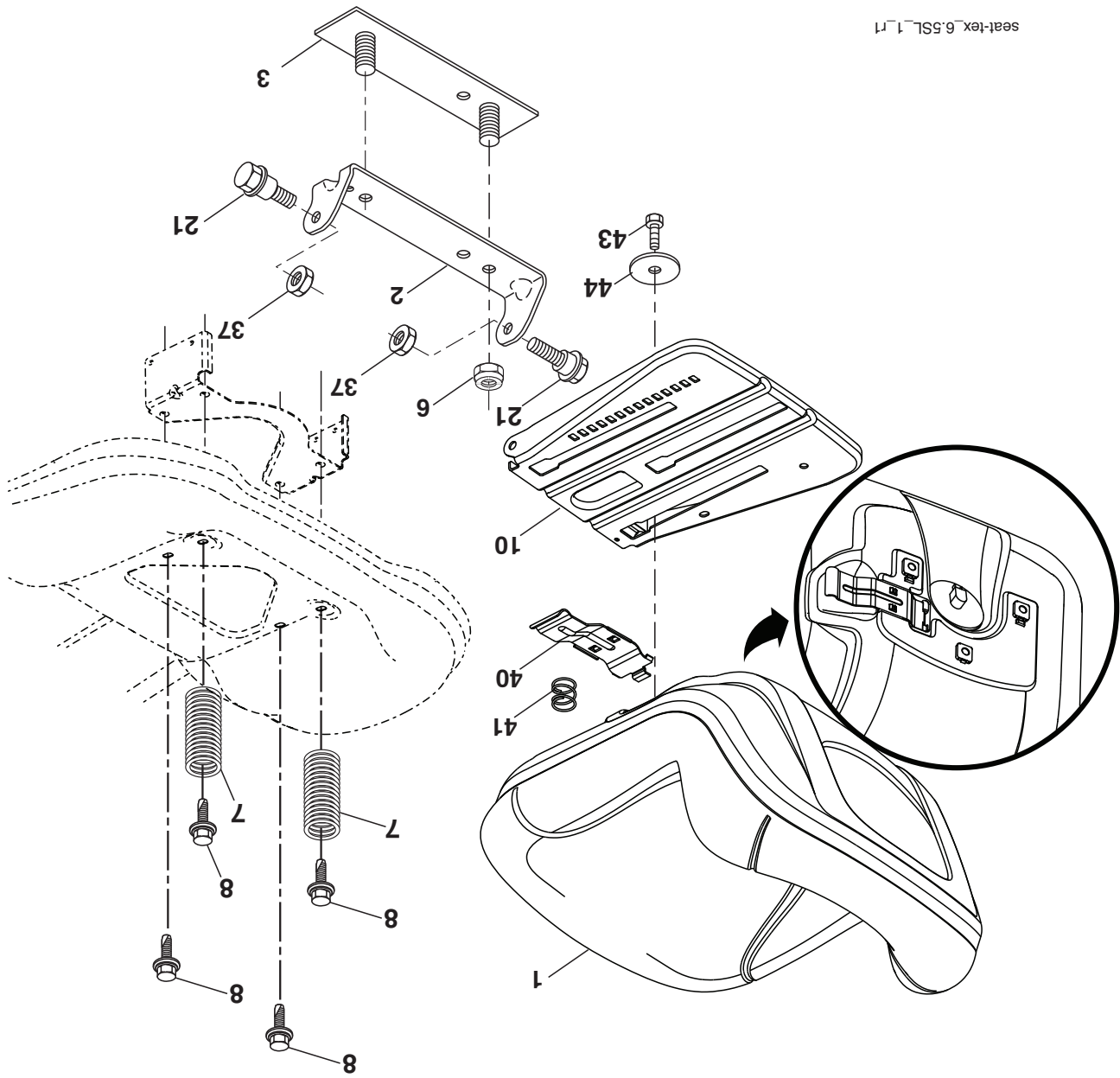


NO.
DE
REF.

532 05 91-92 Capuchon de valve
532 06 51-39 Tubulure de la valve
532 43 96-73 Ensemble de la jante antérieure de 6"
532 05 99-04 Chambre à air antérieure
532 10 62-22 Pneu antérieur 15 x 6-6
532 12 49-57 Graisseur (roue antérieure seulement)
532 12 49-59 Palier à bride (roue antérieure seulement)
532 17 50-39 Chapéau de l'essieu
532 13 84-68 Pneu arrière 20 x 8-8
532 12 49-26 Chambre à air arrière (non fournie)
532 44 08-81 Ensemble de la jante arrière de 8"
532 14 43-34 Joint d'étanchéité de pneu (n'est pas montrée)

DESCRIPTION

REMARQUE: Toutes les dimensions de composant sont données en pouces E.-U. -- 1 pouce = 25,4 mm



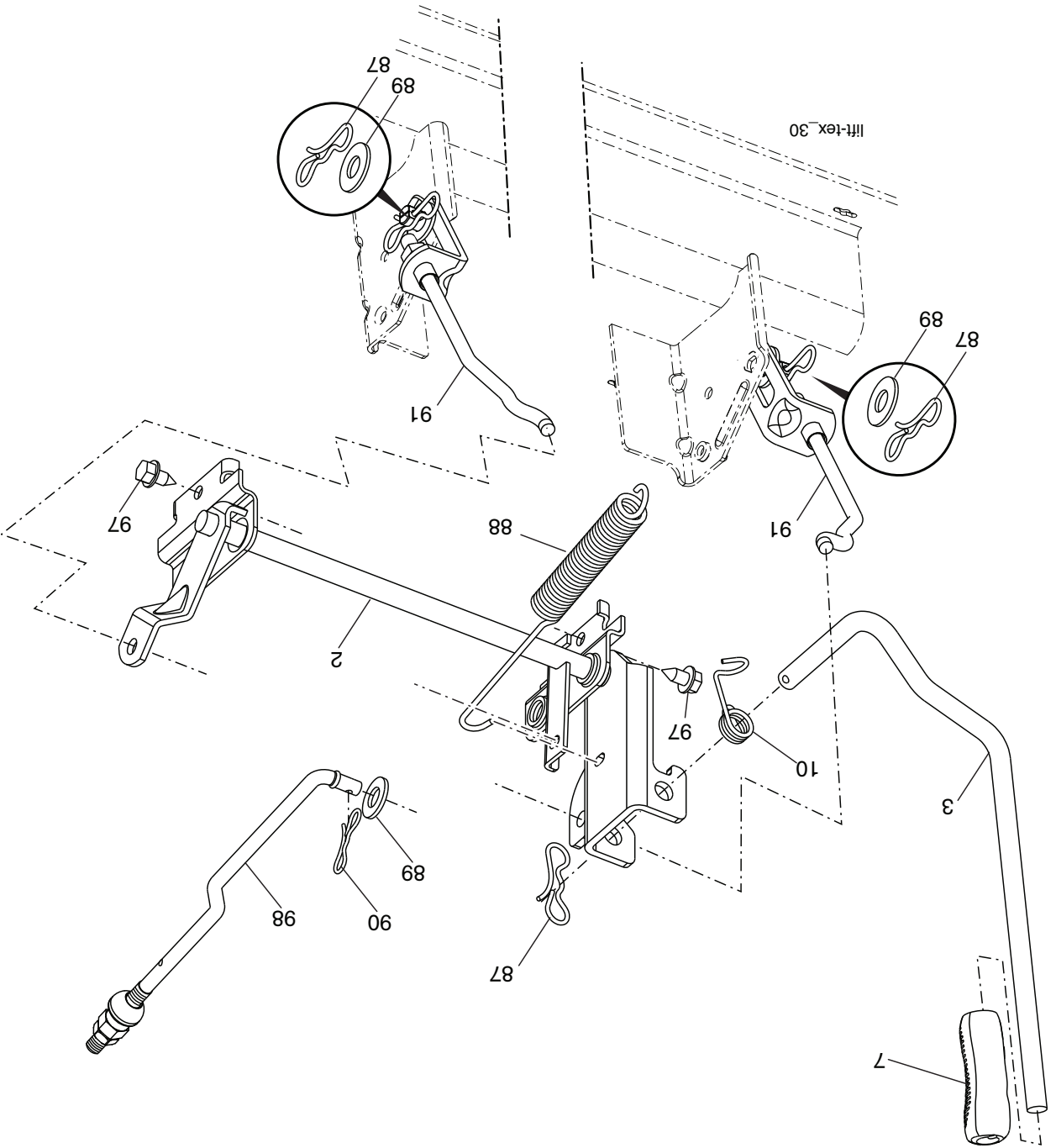
seat-tex_6.5SL_1_r1

| NO. | DÉ | PIÈCE | DESCRIPTION |
|-----|----|-------|---------------------------------|
| 1 | | | Siège |
| 2 | | | Support de pivot |
| 3 | | | Attache De L'ensemble De L'aile |
| 6 | | | Ecrou 3/8-16 unc |
| 7 | | | Ressort |
| 8 | | | Boulon 5/16-18 unc x 3/4 |
| 10 | | | Bac Du Siège |
| 21 | | | Boulon 5/16-18 |
| 37 | | | Ecrou 5/16-18 unc |

| NO. | DÉ | PIÈCE | DESCRIPTION |
|-----|----|-------|---------------------------------|
| 40 | | | Guidon de levage |
| 41 | | | Ressort de goupille de loquet |
| 43 | | | Boulon 3/8-16 unc x 3/4 |
| 44 | | | Rondelle 13/32 x 2 3/8 x 12 Ja. |

REMARQUE: Toutes les dimensions de composant sont données en pouces E.-U. -- 1 pouce = 25,4 mm.

TRACTEUR - - NUMÉRO DE MODÈLE PB185A42LT (96048007300), NO. DE PRODUIT 960 48 00-73
LEVAGE DE TONDEUSE



| NO. DÉ | PIÈCE | DESCRIPTION | NO. DÉ | PIÈCE | DESCRIPTION |
|--------|--------------|----------------------------|--------|--------------|----------------------------|
| 2 | 532 42 20-27 | Ensemble de l'arbre | 91 | 532 19 79-84 | Raccord du levage, arrière |
| 3 | 532 19 52-31 | Levier de l'ensemble, C.D. | 97 | 817 06 06-12 | Vis 3/8-16 x .75 |
| 7 | 580 96 23-01 | Poignée | 98 | 532 42 05-25 | Raccord du levage, avant |
| 10 | 532 19 63-14 | Ressort de torsion | | | |
| 87 | 532 19 42-09 | Goupille fendue 7/16 | | | |
| 88 | 532 19 53-03 | Ressort | | | |
| 89 | 819 19 19-12 | Rondelle | | | |
| 90 | 532 19 42-08 | Goupille fendue 5/16 | | | |

REMARQUE: Toutes les dimensions de composant sont données en pouces E.-U. -- 1 pouce = 25,4 mm.

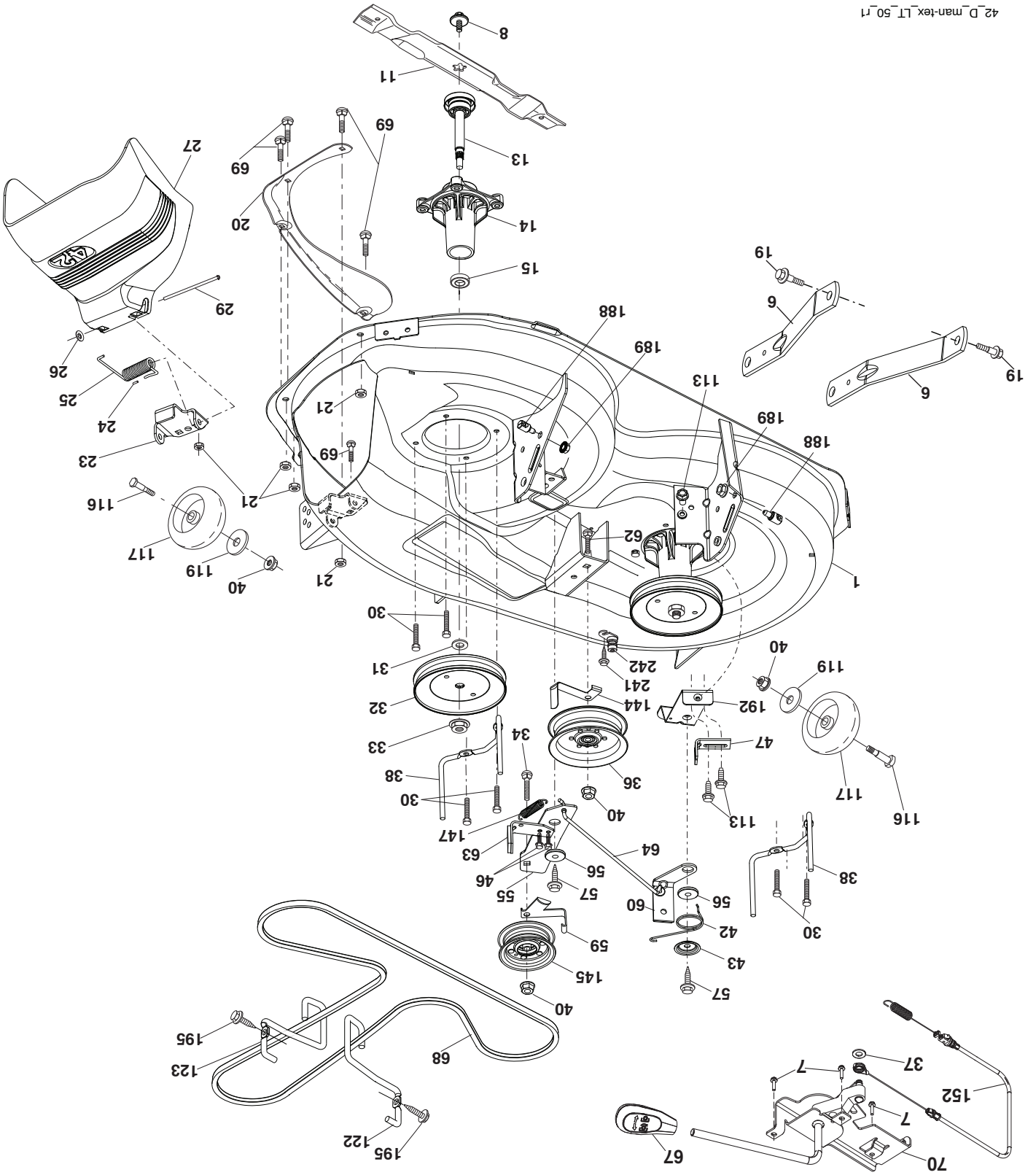
TRACTEUR - - NUMÉRO DE MODÈLE PB185A42LT (96048007300), NO. DE PRODUIT 960 48 00-73
 CARTER DE TONDEUSE

| NO. DE RÉF. | DESCRIPTION | NO. DE RÉF. | DESCRIPTION |
|-------------|--------------|-------------|--------------|
| 1 | 532 19 64-95 | 56 | 532 19 90-92 |
| 6 | 532 19 51-86 | 57 | 817 00 06-16 |
| 7 | 532 41 63-58 | 59 | 532 14 10-43 |
| 8 | 532 19 30-03 | 60 | 532 19 72-61 |
| 11 | 532 13 89-71 | 62 | 872 11 06-16 |
| -- | 532 13 97-75 | 63 | 532 19 94-77 |
| -- | 532 13 41-49 | 64 | 532 19 97-90 |
| -- | | 67 | 532 40 30-12 |
| | | 68 | 532 42 96-36 |
| | | 69 | 872 14 05-05 |
| | | 70 | 532 19 83-32 |
| | | 113 | 817 00 05-10 |
| | | 116 | 532 12 48-42 |
| -- | | 117 | 532 18 86-06 |
| -- | | 119 | 819 12 14-14 |
| 13 | 532 19 28-72 | 122 | 532 19 72-58 |
| 14 | 532 18 72-81 | 123 | 532 19 72-59 |
| 15 | 532 11 04-85 | 144 | 532 19 92-04 |
| 19 | 532 19 65-39 | 145 | 532 19 31-97 |
| 20 | 532 15 97-70 | 147 | 532 40 19-71 |
| 21 | 873 68 05-00 | 152 | 584 24 35-01 |
| 23 | 532 19 25-57 | 188 | 532 19 51-61 |
| 24 | 532 10 53-04 | 189 | 873 90 05-00 |
| 25 | 532 19 70-26 | 192 | 532 19 72-60 |
| 26 | 532 11 04-52 | 195 | 817 00 06-12 |
| 27 | 532 40 30-04 | 241 | 532 15 29-27 |
| 29 | 532 13 14-91 | 242 | 532 41 55-98 |
| 30 | 532 17 39-84 | -- | -- |
| 31 | 532 18 76-90 | -- | -- |
| 33 | 532 40 02-34 | -- | -- |
| 34 | 872 11 06-12 | -- | -- |
| 36 | 532 19 73-79 | -- | -- |
| 37 | 819 13 13-16 | -- | -- |
| 38 | 532 43 25-20 | -- | -- |
| 40 | 873 90 06-00 | -- | -- |
| 42 | 532 19 84-10 | -- | -- |
| 43 | 532 19 72-56 | -- | -- |
| 46 | 532 13 77-29 | -- | -- |
| 47 | 532 19 72-50 | -- | -- |
| 55 | 532 43 71-10 | -- | -- |

REMARQUE: Toutes les dimensions de composant sont données en pouces E.-U. -- 1 pouce = 25,4 mm.

532 43 77-30 -- -- La Tondeuse à gazon de remplacement, complet (inclut) Rondelle et lame, boulon/rondelle ne pas pailler seulement (cle #15) - poulie/écrou/ (cle #14), ensemble arbe (cle #13), et Ensemble du mandrin (inclut boîtier Connecter d'accouplement du rapide Raccord de lavage 532 41 64-05 532 41 55-98 242 Vis #10-32.5 3/8 532 15 29-27 241 Vis 3/8-16 x 3/4 817 00 06-12 195 Support C.G. 532 19 72-60 192 Écrou frein 873 90 05-00 189 Attache 532 19 51-61 188 Câbler le Manuel d'Embrayage 584 24 35-01 152 Ressort de rappel 532 40 19-71 147 Poulie de tension principal 532 19 31-97 145 Guide-courroie 532 19 92-04 144 Guide-courroie du Moteur C.D. 532 19 72-59 123 Rondelle 3/8 x 7x8 x 14 Ja. 819 12 14-14 119 Support de roue 532 18 86-06 117 Boulon "A" 2.41 "B" 1.66 532 12 48-42 116 Vis 5/16-18 817 00 05-10 113 Ensemble du embrayage 532 19 83-32 70 Boulon 5/16-18 x 5/8 872 14 05-05 69 Courroie trapézoïdale 532 42 96-36 68 (Pour mieuX l'usage quand paille) 532 40 30-12 67 La lame, 42" Paillet la Prime ou déchargé) 532 19 97-90 64 La lame, 42" Paillet à épaulement 532 19 94-77 63 Cartier du mandrin 532 19 72-81 62 Roulement à billes du Mandrin 532 11 04-85 15 Chapeau de manchon 532 10 53-04 24 Support du déflecteur 532 19 25-57 23 Déflecteur de décharge 532 40 30-04 27 Tige à filets lamines 532 13 14-91 29 Vis à filets lamines 532 17 39-84 30 Entretoise 532 18 76-90 31 Écrou 532 40 02-34 33 Poulie du Mandrin 532 19 74-73 32 Rondelle 13/32 x 13/16 x 16 Ja. 819 13 13-16 37 Guide-courroie du Mandrin. 532 43 25-20 38 Écrou frein 3/8-16 unc 873 90 06-00 40 Ressort la Torsion de retenue 532 19 84-10 42 Ressort la Torsion de retenue 532 19 72-56 43 Vis 1/4-20 x 5/8 532 13 77-29 46 Support du câble d'embrayage 532 19 72-50 47 Bras du gallet-tendeur 532 43 71-10 55

TRACTEUR - - NUMÉRO DE MODÈLE PB185A42LT (96048007300), NO. DE PRODUIT 960 48 00-73
 CARTER DE TONDEUSE



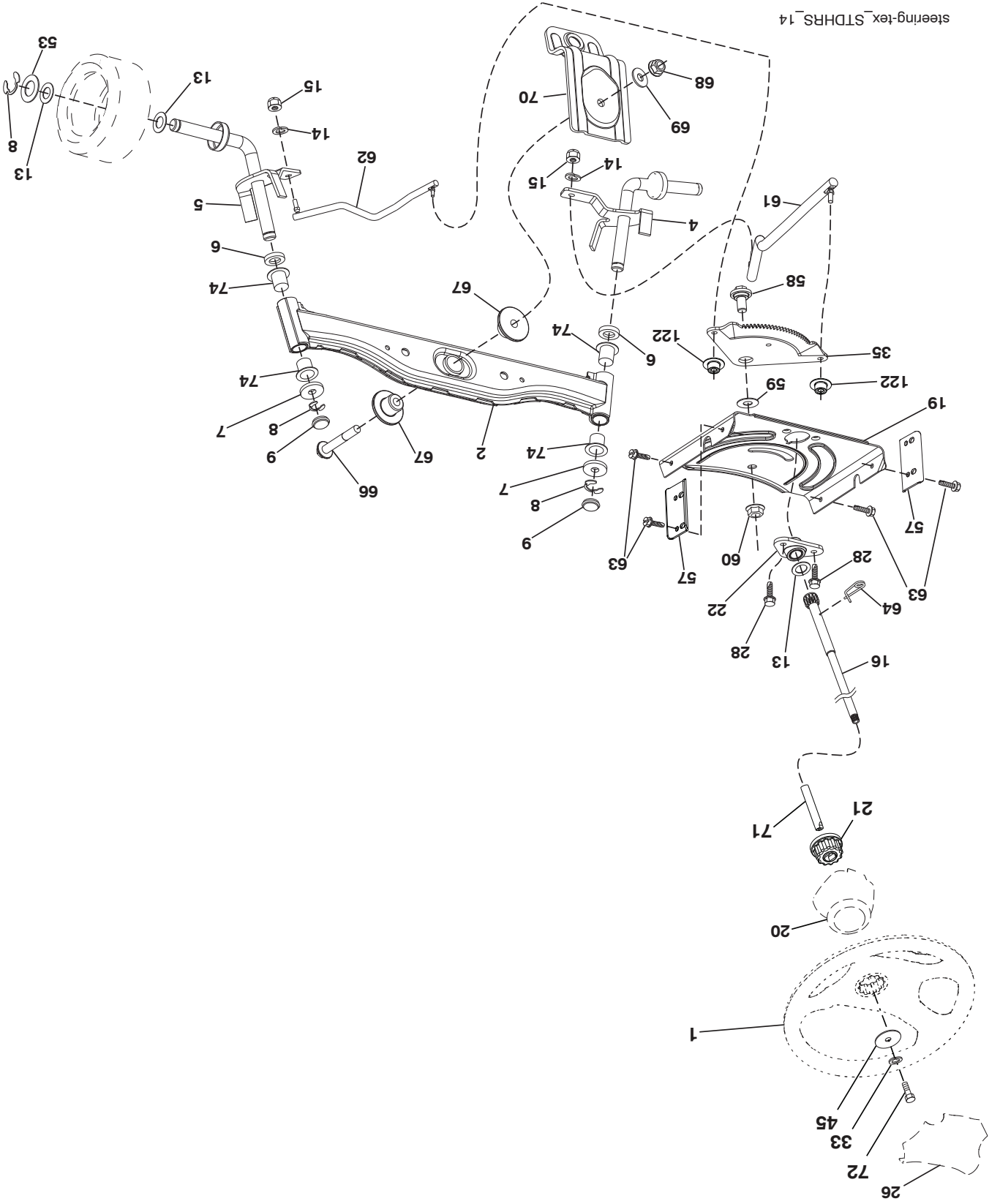
42_D_man-tex_LT_50_r1

| NO. DE DÉ | REF. PIÈCE | DESCRIPTION |
|-----------|--------------|----------------------------------|
| 1 | 532 42 45-43 | Volant de direction |
| 2 | 532 41 81-68 | Ensemble de essieu, antérieur |
| 4 | 532 40 30-87 | Ensemble de broche, (C.G.) |
| 5 | 532 40 30-88 | Ensemble de broche, (C.D.) |
| 6 | 532 12 49-31 | Rondelle 0.75 x 1.230 |
| 7 | 532 12 17-48 | Rondelle 25/32 x 1-5/8 x 16 Ja. |
| 8 | 812 00 00-29 | Bague #T5304-75 |
| 9 | 532 12 12-32 | Capuchon de broche |
| 13 | 532 12 17-49 | Rondelle 25/32 x 1-1/4 x 16 Ja. |
| 14 | 810 04 06-00 | Rondelle trein 3/8 |
| 15 | 873 54 06-00 | Ecrou auto-serrant 3/8-24 unt |
| 16 | 532 42 93-74 | Arbre de direction |
| 19 | 532 19 47-29 | Plaque de direction |
| 20 | 532 41 12-91 | Soufflet de direction |
| 21 | 532 18 67-37 | Adaptateur |
| 22 | 532 42 05-37 | Soutien direction Intérieur |
| 26 | 532 42 46-91 | Insert |
| 28 | 817 00 06-12 | Vis 3/8-16 x 3/4 |
| 33 | 810 04 05-00 | Rondelle trein 5/16 |
| 35 | 532 19 47-32 | Secteur denté |
| 45 | 819 11 38-12 | Rondelle 1 1/32 x 2-3/8 x 12 Ja. |
| 53 | 532 18 89-67 | Rondelle .793 x 1.637 x .060 |
| 57 | 532 40 74-65 | Support d'arrêt supérieur |
| 58 | 532 19 47-47 | Boulin à épaulement |
| 59 | 532 19 47-48 | Rondelle butée |
| 60 | 873 97 10-00 | Ecrou à collet 5/8-11 |
| 61 | 532 19 47-40 | Barre de direction (C.G.) |
| 62 | 532 19 47-41 | Barre de direction (C.D.) |
| 63 | 817 00 05-12 | Vis 5/16-18 x 3/4 |
| 64 | 532 19 98-49 | Pince d'arrêt |
| 66 | 871 02 07-48 | Boulin H 7/16-14 x 3 |
| 67 | 532 19 47-37 | Douille |
| 68 | 873 90 07-00 | Ecrou trein 7/16-14 Cat. 5 |
| 69 | 532 19 91-62 | Rondelle 1.5 x .505 x .118 |
| 70 | 532 19 61-97 | Support |
| 71 | 532 19 07-52 | Arbre de rallonge de direction |
| 72 | 532 42 89-82 | Boulin 5/16-18 x 4 |
| 74 | 532 12 49-37 | Roulement |
| 122 | 532 44 49-62 | Chapeau |

REMARQUE: Toutes les dimensions de composant sont données en pouces E.-U. -- 1 pouce = 25,4 mm.

TRACTEUR - - NUMÉRO DE MODÈLE PB185A42LT (96048007300), NO. DE PRODUIT 960 48 00-73

ENSEMBLE DE LA DIRECTION



NO. NO. DÉ DÉ RÉF. PIÈCE DESCRIPTION

1 - - - - - Moteur B&S Model No. 33R777-0005-G1 (586306801)
(Commandez les pièces du fabricant du moteur.)

2 580 53 23-01 Silencieux

9 532 19 43-19 Guide-courroie du moteur

12 532 40 19-85 Poule du moteur

15 581 28 99-01 Réservoir d'essence 1.50

18 532 43 02-20 Boudhon du réservoir d'essence

20 532 17 05-45 Commande des gaz/du starter

21 532 41 63-58 Vis #10 x 0.750

28 532 40 11-37 conduite d'essence/conduite du carburant

29 532 13 71-80 Pare-étincelles

37 532 12 34-87 Bride de serrage du tuyau

42 810 04 07-00 Rondelle frein 7/16

45 873 51 04-00 Ecrou H 1/4-20 unc

69 532 16 52-91 Joint

79 532 19 23-34 Vis 5/16-18 x .75

81 532 14 84-56 Tube

82 532 42 82-87 Soupape

84 817 06 06-20 Vis 3/8-16 x 1-1/4

85 532 17 39-37 Boulon H 7/16-20 x 4 x Cat. 5-1.5

87 532 17 18-77 Boulon 5/16-18 unc

90 817 00 06-16 Vis 3/8-16 x 1.0

94 581 88 09-01 Tube

96 819 09 14-16 Rondelle 9/32 x 7/8 x 16 Ja.

97 817 67 04-12 Vis 1/4-20 x 3/4

REMARQUE: Toutes les dimensions de composant sont données en pouce d'E.-U. - - - 1 pouce = 25,4 mm.

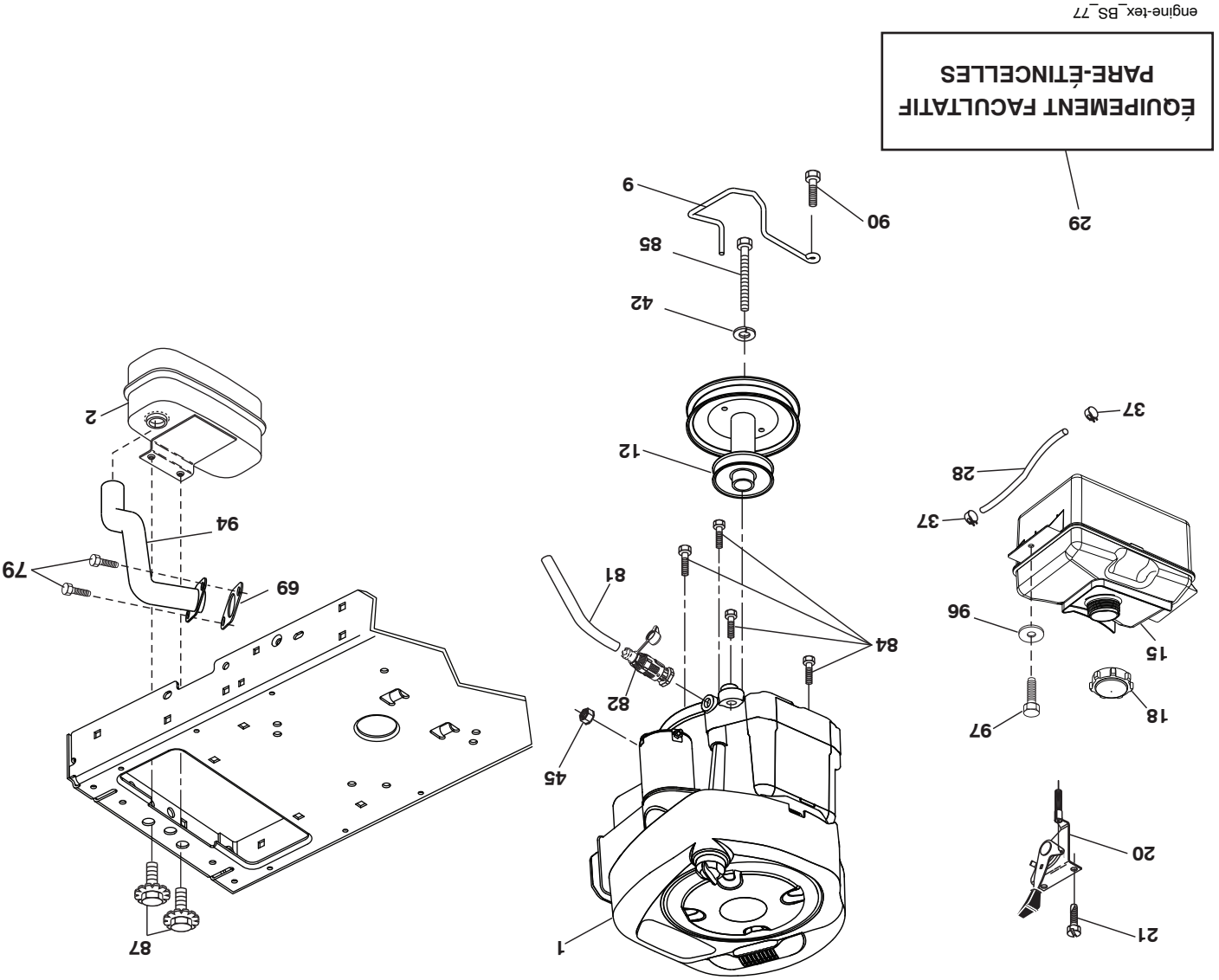
Pour des pièces de service et de rechange de moteur, réclamez le numéro de téléphone libre pour votre fabricant de

moteur énuméré ci-dessous:

Briggs & Stratton 1-800-233-3723

INFORMATIONS CONCERNANT LA PUISSANCE THÉORIQUE DU MOTEUR

La puissance brute pour chaque Modèle de moteur à essence est indiquée conformément au code J1940 (procédure de calcul de la puissance et du couple des petits moteurs) de la SAE (Society of Automotive Engineers) et les performances théoriques ont été obtenues et corrigées selon SAE J1995 (révision 2002-05). Les valeurs de couple sont calculées sur la base de 3060tr/min et celles de puissance sur la base de 3600tr/min. La puissance brute réelle du moteur peut être plus faible notamment à cause des conditions de fonctionnement et des variations d'un moteur à l'autre. Compte tenu de la grande variété de machines sur lesquelles nos moteurs sont utilisés et du nombre de problèmes environnements applicables au fonctionnement des équipements, il se peut que le moteur à essence ne développe pas sa puissance théorique une fois qu'il est monté sur une machine particulière (puissance nette ou réelle « sur site »). Cette différence s'explique par un grand nombre de facteurs, tels que (liste non limitative): accessoires (filtre à air, échappement, admission, refroidissement, carburateur, pompe à essence, etc.), limites d'utilisation, conditions ambiantes d'utilisation (température, humidité, altitude) et variations d'un moteur à l'autre. Pour des raisons de fabrication et de capacité limitées, Briggs & Stratton est susceptible de remplacer ce Modèle par un moteur plus puissant.



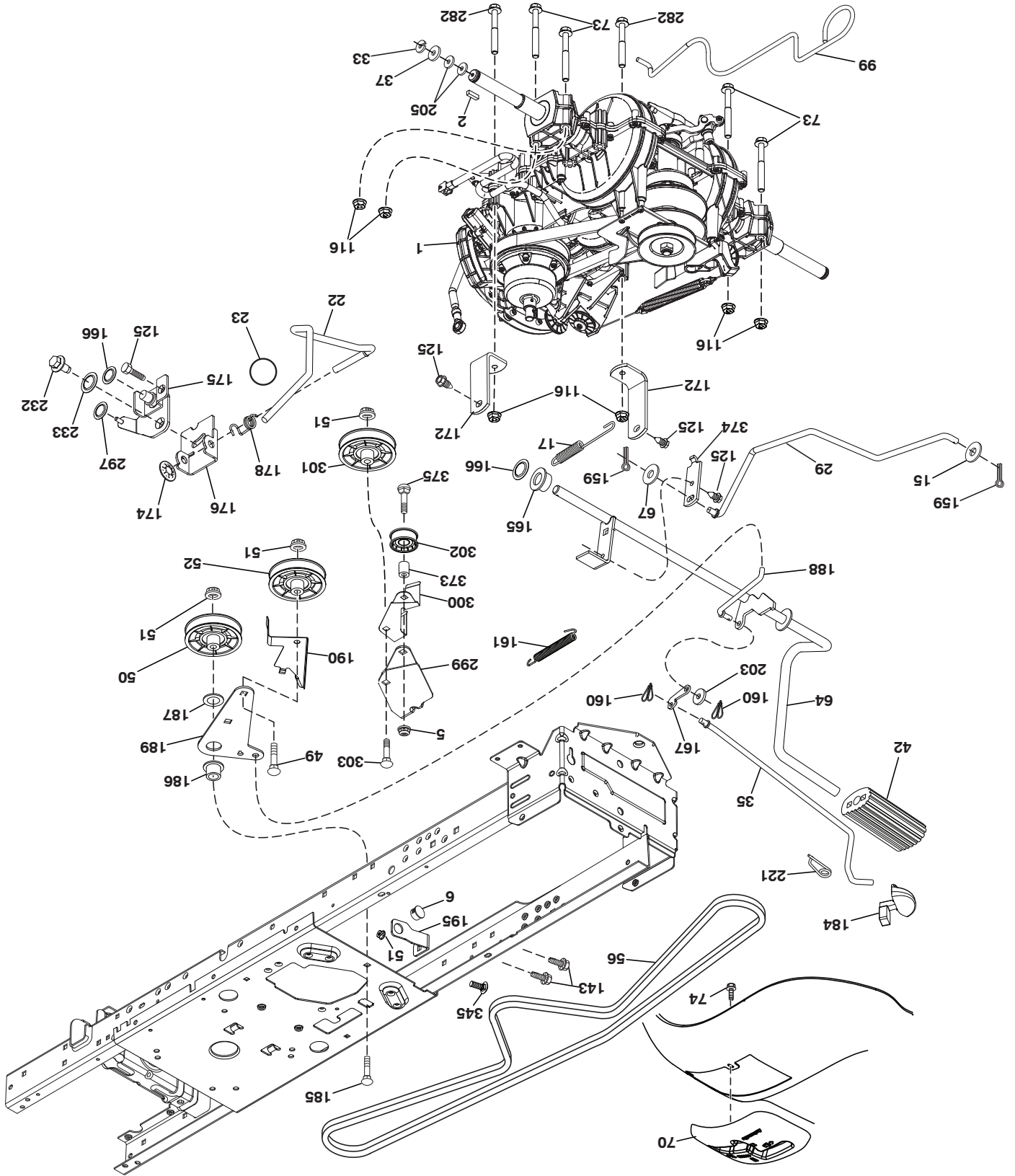
TRACTEUR - - NUMÉRO DE MODÈLE PB185A42LT (96048007300), NO. DE PRODUIT 960 48 00-73

ENTRAÎNEMENT

| NO. | DE | PIÈCE | DESCRIPTION |
|-----|-----|----------|---------------------------------------|
| 1 | --- | --- | Transaxle, Gentrans (580486301) |
| 2 | 532 | 12 35-83 | C16.2.0 X .1845/.1865 (transmission.) |
| 5 | 873 | 68 06-00 | Ecroû |
| 6 | 532 | 12 40-28 | Douille De Bouton-Pression |
| 15 | 819 | 13 13-16 | Rondelle 13/32 x 13/16 x 16 Ja. |
| 17 | 584 | 95 40-01 | Ressort De Rappel-Du Frein |
| 22 | 532 | 42 10-63 | Tige |
| 23 | 532 | 14 08-45 | Bouton |
| 29 | 584 | 82 31-01 | Tige Du Frein |
| 33 | 812 | 00 00-01 | Anneau,#5133-75 |
| 35 | 532 | 19 77-22 | Tige De Frein Du Stationnement |
| 37 | 532 | 18 89-67 | Rondelle .793 x 1.637 x 060 |
| 42 | 532 | 12 48-72 | Couvercle Du Pedale |
| 49 | 872 | 11 06-14 | Boulon 3/8-16 Unc X 1-3/4. Cat. 5 |
| 50 | 532 | 19 43-27 | Pouille |
| 51 | 873 | 90 06-00 | Ecroû 3/8-16 |
| 52 | 532 | 19 43-26 | Pouille |
| 56 | 532 | 19 72-53 | Courroie |
| 64 | 580 | 40 15-01 | Ensemble Du Tige Du Frein |
| 67 | 819 | 13 13-12 | Rondelle 13/32 x 13/16 x 12 Ja. |
| 70 | 532 | 44 03-23 | Console |
| 73 | 874 | 49 05-44 | Boulon 5/16-18.Cat.5 |
| 74 | 532 | 14 24-32 | Vis 1/4 X 1/2 Unc |
| 99 | 532 | 43 59-35 | Tige |
| 116 | 873 | 90 05-00 | Ecroû 5/16-18 Unc |
| 125 | 817 | 00 05-12 | Vis .5/16-18X3/4 |
| 143 | 817 | 49 05-08 | Vis.5/16-18 X 1/2 |
| 159 | 876 | 02 04-12 | Goupille Fendue 1/8 x 3/4 |
| 160 | 532 | 16 94-84 | Ressort De Retenue |
| 161 | 532 | 10 57-09 | Ressort D'embrayage 6.75 |
| 165 | 532 | 19 62-12 | Douille |
| 166 | 532 | 42 91-64 | Ecroû .625 |

REMARQUE: Toutes les dimensions de composant sont données en pouces E.-U. -- 1 pouce = 25,4 mm.

| NO. | DE | PIÈCE | DESCRIPTION |
|-----|-----|----------|----------------------------------|
| 167 | 532 | 40 52-57 | Du Frein De Stationnement |
| 172 | 583 | 97 42-01 | Support |
| 174 | 532 | 19 72-89 | Ecroû .500 |
| 175 | 532 | 41 56-77 | Tige Du Mouvement |
| 176 | 532 | 19 62-14 | Tige |
| 178 | 532 | 19 74-56 | Ressort Du Mouvement |
| 184 | 532 | 44 15-04 | Poignée |
| 185 | 872 | 11 06-22 | Boulon.3/8-16 unc X 2-3/4 Cat. 5 |
| 186 | 532 | 19 43-21 | Entretoise |
| 187 | 819 | 13 32-10 | Rondelle.13/32 X 2 X 10 Ja. |
| 188 | 532 | 19 43-23 | Tige D'embrayage |
| 189 | 532 | 19 43-17 | Support |
| 190 | 532 | 19 43-18 | Support |
| 195 | 581 | 50 46-01 | Support De Frein |
| 203 | 819 | 11 11-16 | Rondelle 11/32 X 11/16 X 16 Ja. |
| 205 | 532 | 12 17-48 | Rondelle.25/32 X 1-5/8 X 16 Ja. |
| 221 | 532 | 40 31-87 | Ressort De Retenue |
| 232 | 874 | 78 07-16 | Boulon. 7/16-14 X 1 Cat.5 |
| 233 | 532 | 40 52-96 | Rondelle |
| 282 | 874 | 49 05-48 | Vis 5/16-18 X 3 |
| 297 | 532 | 42 02-23 | Ecroû 1/4 |
| 299 | 532 | 41 56-83 | Support De Pouille |
| 300 | 532 | 41 56-81 | Garde Du Pouille |
| 301 | 532 | 41 56-80 | Pouille |
| 302 | 581 | 42 05-01 | Pouille |
| 303 | 872 | 11 06-18 | Boulon 3/8-16 X 2-1/4 |
| 345 | 872 | 11 06-06 | Boulon 3/16 x 1 Cat. 5 |
| 373 | 581 | 46 18-01 | Entretoise |
| 374 | 581 | 47 52-01 | Levier De Frein |
| 375 | 874 | 76 06-36 | Boulon |



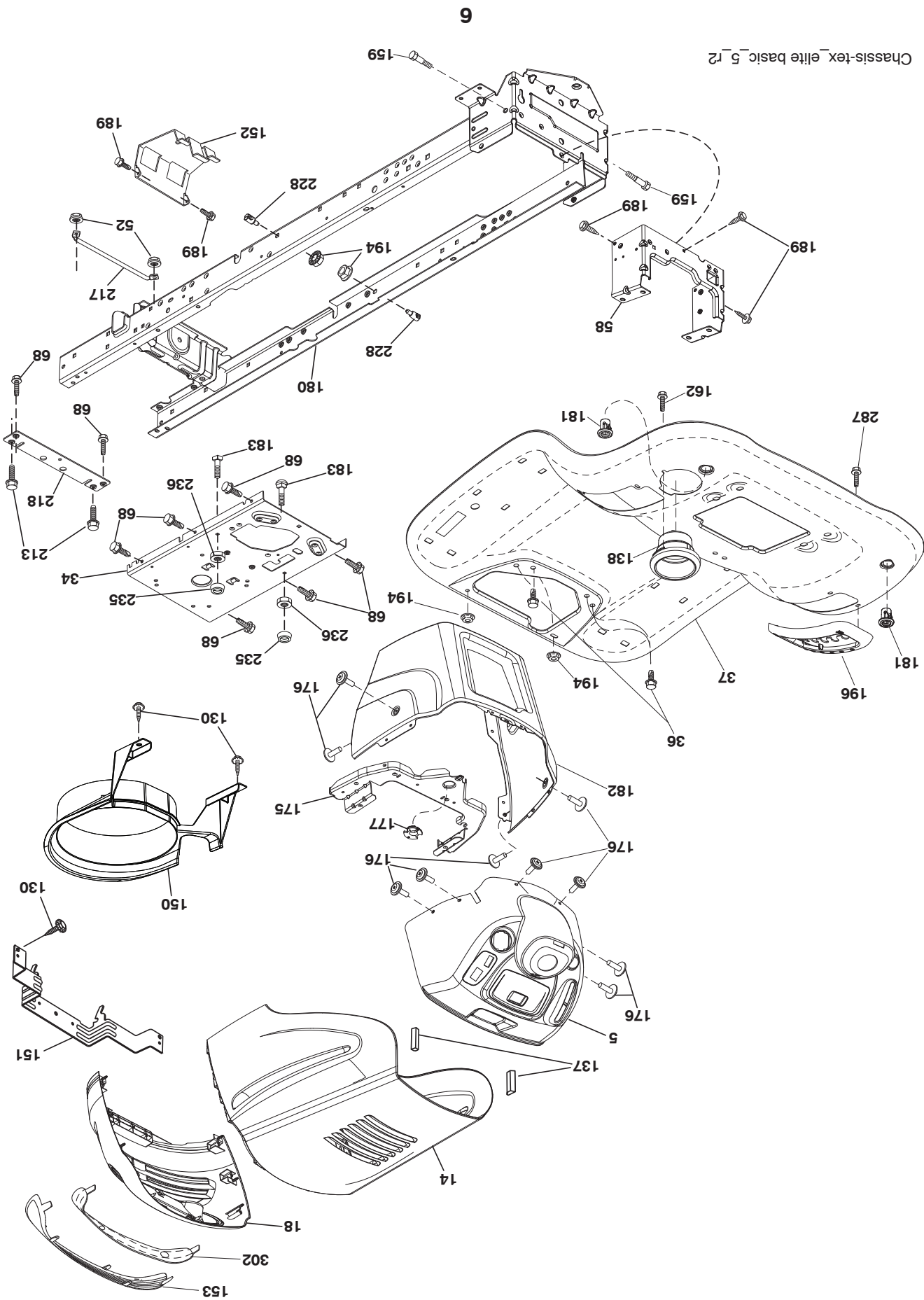
| NO. DE DÉ | REF. PIÈCE | DESCRIPTION |
|-----------|--------------|---------------------------------|
| 5 | 532 41 17-64 | Tableau de bord |
| 14 | 532 18 58-47 | Capot |
| 18 | 532 42 67-92 | Calandre |
| 34 | 580 91 08-01 | Protection d'essence |
| 36 | 817 06 05-12 | Vis 5/16-18 x 3/4 |
| 37 | 532 43 65-23 | Aile |
| 52 | 873 68 05-00 | Écrou frein 5/16-18 |
| 58 | 532 41 22-80 | Barre d'attelage supérieur |
| 68 | 817 49 05-08 | Vis 5/16-18 x 1/2 |
| 130 | 532 41 63-58 | Vis #10 x 0.750 |
| 137 | 532 18 49-21 | Pare-chocs de capot |
| 138 | 532 40 97-30 | Porte-gobelet |
| 150 | 532 18 44-61 | Canalisation de chaleur |
| 151 | 532 40 78-07 | Support de la pivot |
| 152 | 532 19 95-35 | Défecteur |
| 153 | 532 18 98-37 | Calandre de lentille |
| 159 | 817 00 06-12 | Vis 3/8-16 x 3/4 |
| 162 | 532 14 24-32 | Vis 1/4 x 1/2 |
| 175 | 532 19 32-43 | Pièce d'entretoisement |
| 176 | 532 40 07-76 | Vis 10-24 x 5/8 |
| 177 | 532 19 52-28 | Douille de direction |
| 180 | 532 41 50-63 | Châssis |
| 181 | 532 40 47-96 | Douille |
| 182 | 532 19 30-57 | Tableau de bord baisser |
| 183 | 874 52 05-20 | Boulon 5/16-18 x 1-1/4 |
| 189 | 817 00 05-12 | Vis 5/16-18 x 3/4 |
| 194 | 873 90 05-00 | Écrou frein H 5/16-18 |
| 196 | 532 41 45-79 | Ensemble de panneau |
| 213 | 874 76 05-12 | Boulon 5/16-18 X 3/4 |
| 217 | 532 40 91-67 | Tige de capot |
| 218 | 532 19 63-95 | X-Pièce capot |
| 228 | 532 19 51-61 | Ténon |
| 235 | 532 40 61-29 | Éntrétoise de l'aile |
| 236 | 873 93 05-00 | Écrou frein central 5/16-18 |
| 287 | 817 60 04-06 | Vis 1/4-20 x 3/8 |
| 302 | 532 18 38-23 | Insert lentille réfléchissantes |

REMARQUE: Toutes les dimensions de composant sont données en pouces E.-U. -- 1 pouce = 25,4 mm.

TRACTEUR - - NUMÉRO DE MODÈLE PB185A42LT (96048007300), NO. DE PRODUIT 960 48 00-73

CHÂSSIS/ENCEINTES

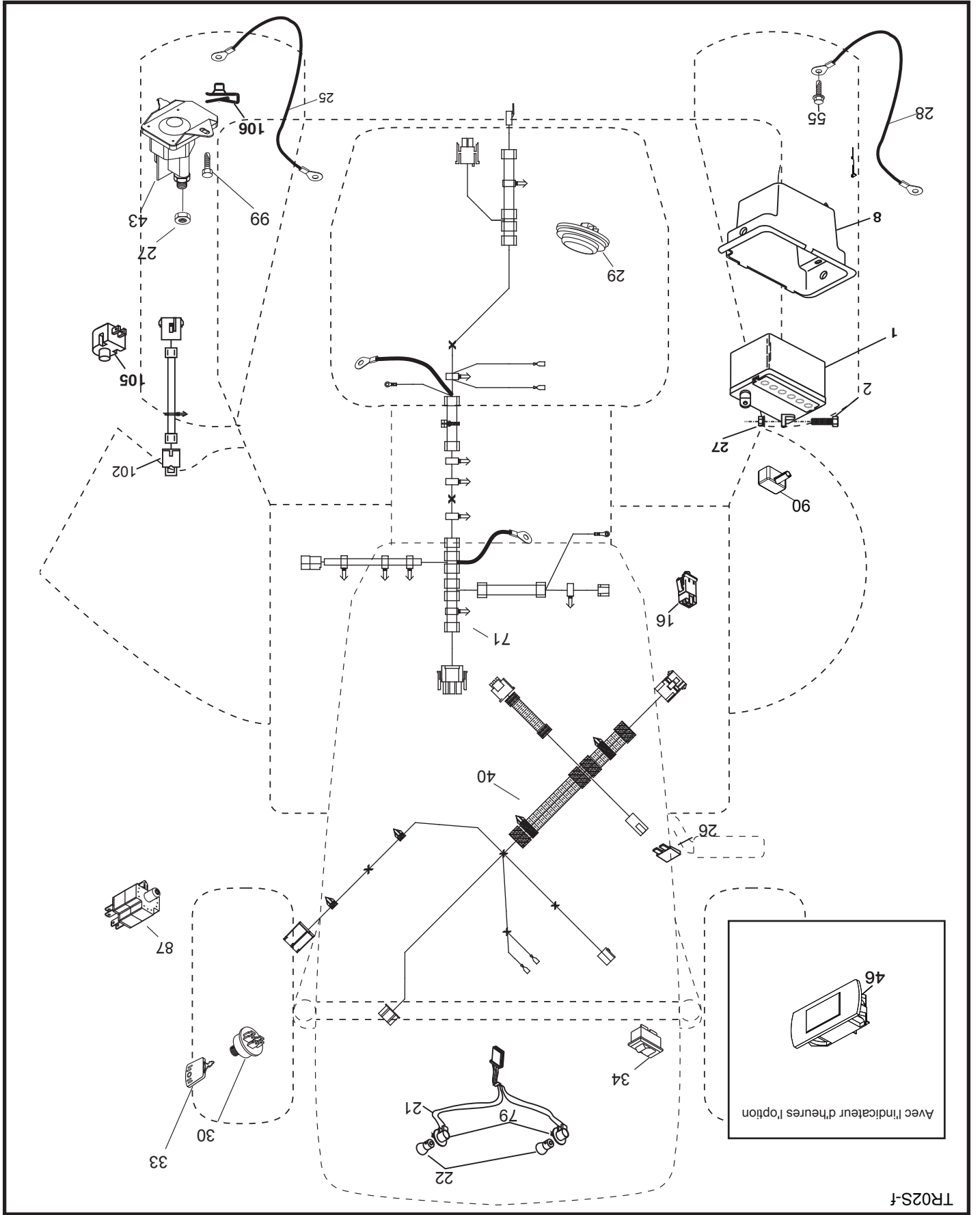
Chassis-tex_élite basic_5_r2

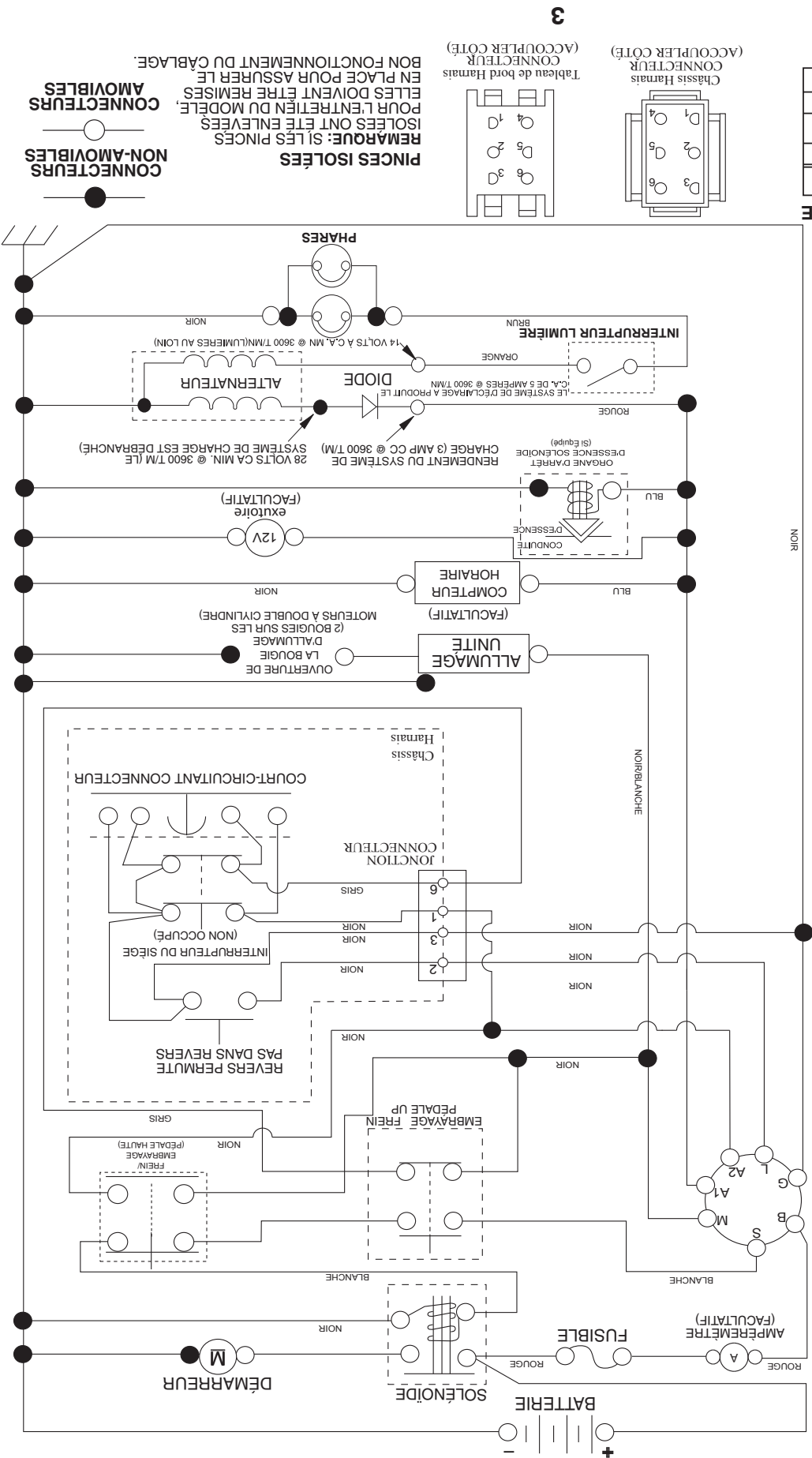


| NO. DE PIÈCE | DESCRIPTION |
|--------------------|--|
| 1 | Batterie |
| 2 | Boulon H 1/4-20 unc x 3/4 |
| 8 | Bac de batterie |
| 16 | Interrupteur de verrouillage |
| 21 | Harnais de prise de courant du phare |
| 22 | Ampoule N°1 156 |
| 25 | Câble démarreur de 6 ja. noir/rouge 14,5 |
| 26 | Fusible |
| 27 | Ecrou à taquets H 1/4-20 unc |
| 28 | Câble de masse de 6 ja. de 18" pile postérieure noir |
| 29 | Interrupteur |
| 30 | Contacteur d'allumage |
| 33 | Clé/chaîne |
| 34 | Interrupteur de lumière |
| 40 | Harnais des câbles d'allumage de tableau de bord |
| 43 | Solénoïde |
| 55 | Vis 5/16-18 x 3/4 |
| 71 | Harnais des câbles of d'allumage |
| 79 | Ensemble de prise de courant d'ampoule |
| 87 | Interrupteur de embrayage verrouillage |
| 90 | Couverture |
| 99 | Vis |
| 102 | Harnais renversé de fil |
| 105 | Inverseur |
| 106 | Ecrou |

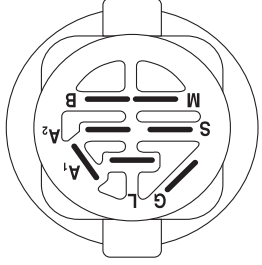
REMARQUE: Toutes les dimensions de composant sont données en pouces E.-U. -- 1 pouce = 25,4 mm.

TR02S-f





CONTACTEUR D'ALLUMAGE



REMARQUE
 VOTRE TRACTEUR EST ÉQUIPÉ D'UN SYSTÈME D'ALTERNATEUR SPÉCIAL AU LIEU D'ÊTRE BRANCHÉS SUR LA BATTERIE. LES PHARES DISPOSENT DE LEUR PROPRE SOURCE D'ÉNERGIE ÉLECTRIQUE. DONC LA BRILLANCE DES PHARES CHANGERA EN FONCTION DE LA VITESSE DU MOTEUR. AU RALENTI, LA BRILLANCE DES PHARES BAISSERA: QUAND LE MOTEUR EST ACCÉLÉRÉ, LA BRILLANCE ATTEINDRA SON MAXIMUM.

NOIR

BLANCHE

NOIR/BLANCHE

ROUGE

ROUGE

ROUGE

ROUGE

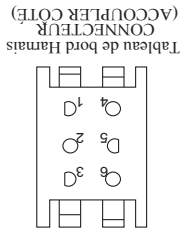
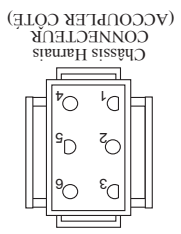
ROUGE

ROUGE

ROUGE

ROUGE

| POSITION | CIRCUIT "FAITS" |
|------------------|-----------------|
| ARRÊT | M + G + A1 |
| MARCHE/ ALLUMAGE | B + A1 |
| MARCHE | B + A1 |
| DÉPARTAGE | B + S + A1 |



3

PINCES ISOLÉES
 REMARQUE: SI LES PINCES ISOLÉES ONT ÉTÉ ENLEVÉES POUR L'ENTRETIEN DU MODÈLE, ELLES DOIVENT ÊTRE REMISES EN PLACE POUR ASSURER LE BON FONCTIONNEMENT DU CABLAGE.



COMMENT UTILISER CE MANUEL

Ce manuel a été dessiné pour fournir le client avec les moyens d'identification des pièces de détails du tracteur quand il/elle a besoin de commander les pièces de rechange. Les illustrations ne peuvent pas représenter exactement le modèle que vous avez acheté. N'utilisez pas ce manuel comme un guide dans le montage et/ou démontage de votre tracteur. La visserie montrée est plus grande pour faciliter l'identification.

Chaque tracteur a un numéro de modèle particulier.

Le numéro de modèle du produit se trouvera sur l'aile, dessous le siège.

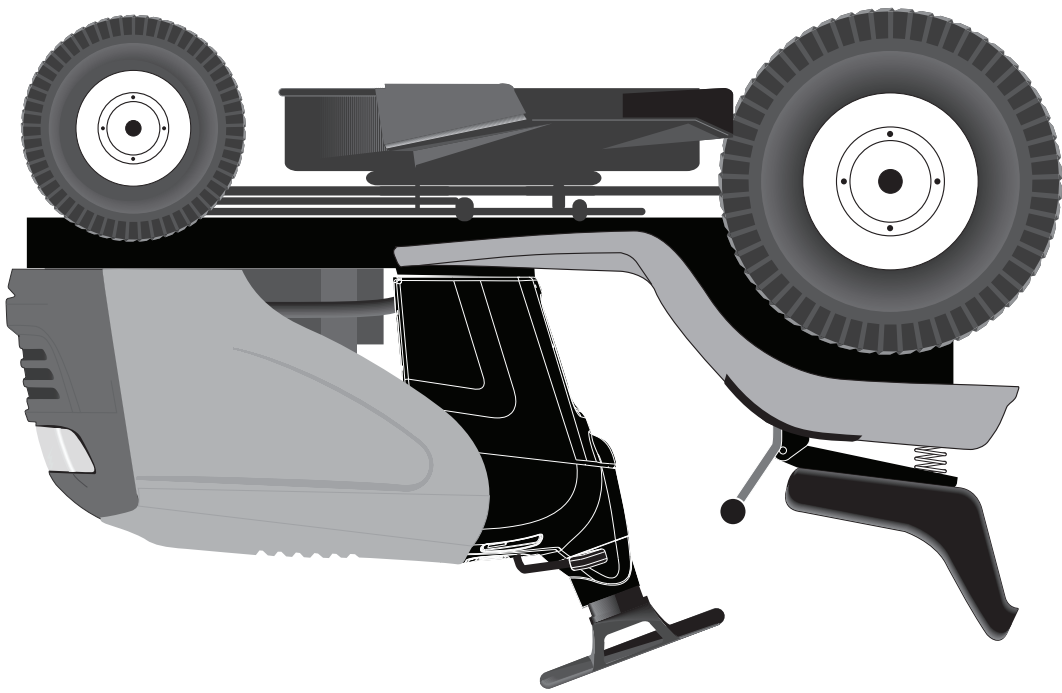
Lorsque vous commandez des pièces de rechange, donnez toujours les renseignements suivants:

- Produit - "TRACTEUR"
- NUMÉRO DU MODÈLE - "PB185A42LT (96048007300)"
- Numéro de la Pièce
- Description de la Pièce

TABLE DE MATIERES

| | |
|--|-------|
| SCHEMA..... | 3 |
| ELECTRIQUE..... | 4-5 |
| CHASSIS/ENCEINTES..... | 6-7 |
| ENTRAÎNEMENT..... | 8-9 |
| MOTEUR..... | 10-11 |
| ENSEMBLE DE LA DIRECTION..... | 12-13 |
| CARTER DE TONDEUSE..... | 14-15 |
| LEVAGE DE LA TONDEUSE..... | 16 |
| ENSEMBLE DU SIÈGE..... | 17 |
| DECALCOMANIES..... | 18 |
| GARANTIE..... | 19 |
| L'ENTRETIEN ET LES PIÈCES DE RECHANGE..... | 20 |

Poulan PRO




MANUEL DE PARTIES DE RÉPARATION

MODÈLE:

PB185A42LT
TRACTEUR DE PELOUSE

Portez toujours des lunettes de sécurité lors de l'utilisation.
Visitez notre site web: www.poulanpro.com

AVERTISSEMENT:  Lisez soigneusement le manuel suivez tous les avertissements et les instructions de sécurité. Les blessures sérieuses peuvent en résulter si vous ne lisez pas ces avertissements et instructions de sécurité.