

### LIMITED WARRANTY

The Manufacturer warrants to the original consumer purchaser that this product as manufactured is free from defects in materials and workmanship. For a period of two (2) years from date of purchase by the original consumer purchaser, we will repair or replace, at our option, without charge for parts or labor incurred in replacing parts, any part which we find to be defective due to materials or workmanship. This Warranty is subject to the following limitations and exclusions.

1. This warranty does not apply to the engine, transaxle/transmission components, battery (except as noted below) or components parts thereof. Please refer to the applicable manufacturer's warranty on these items.
2. Transportation charges for the movement of any power equipment unit or attachment are the responsibility of the purchaser. Transportation charges for any parts submitted for replacement under this warranty must be paid by the purchaser unless such return is requested by the manufacturer.
3. Battery Warranty: On products equipped with a Battery, we will replace, without charge to you, any battery which we find to be defective in manufacture, during the first ninety (90) days of ownership. After ninety (90) days, we will exchange the Battery, charging you 1/12 of the price of a new Battery for each full month from the date of the original sale. Battery must be maintained in accordance with the instructions furnished.
4. The Warranty period for any products used for rental or commercial purposes is limited to 45 days from the date of original purchase.
5. This Warranty applies only to products which have been properly assembled, adjusted, operated, and maintained in accordance with the instructions furnished. This Warranty does not apply to any product which has been subjected to alteration, misuse, abuse, improper assembly or installation, delivery damage, or to normal wear of the product.
6. Exclusions: Excluded from this Warranty are belts, blades, blade adapters, normal wear, normal adjustments, standard hardware and normal maintenance.
7. In the event you have a claim under this Warranty, you must return the product to an authorized service dealer.

Should you have any unanswered questions concerning this Warranty, contact:

Weed Eater  
Customer Service Department  
1030 Stevens Creek Road  
Augusta, GA 30907 USA

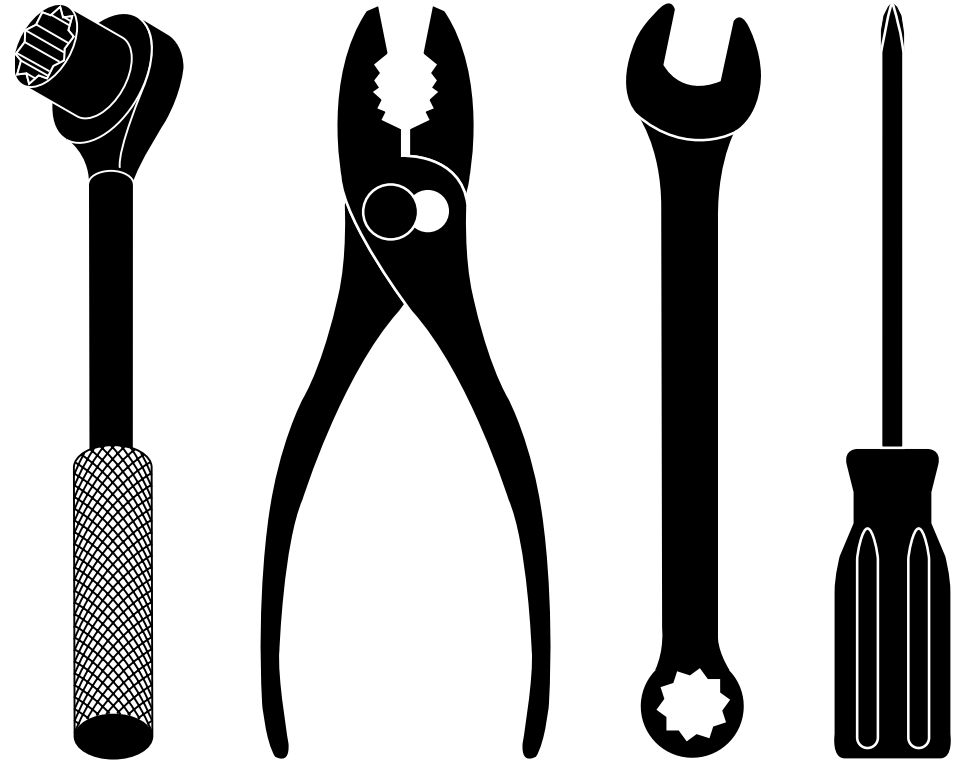
In Canada contact:  
Weed Eater  
Customer Service Department  
5855 Terry Fox Way  
Mississauga, Ontario L5V 3E4

giving the model number, serial number and date of purchase of your product and the name and address of the authorized dealer from whom it was purchased.

**THIS WARRANTY DOES NOT APPLY TO INCIDENTAL OR CONSEQUENTIAL DAMAGES AND ANY IMPLIED WARRANTIES ARE LIMITED TO THE SAME TIME PERIODS STATED HEREIN FOR OUR EXPRESSED WARRANTIES.**

Some areas do not allow the limitation of consequential damages or limitations of how long an implied Warranty may last, so the above limitations or exclusions may not apply to you. This Warranty gives you specific legal rights, and you may have other rights which vary from locale to locale.

This is a limited Warranty within the meaning of that term as defined in the Magnuson-Moss Act of 1975.



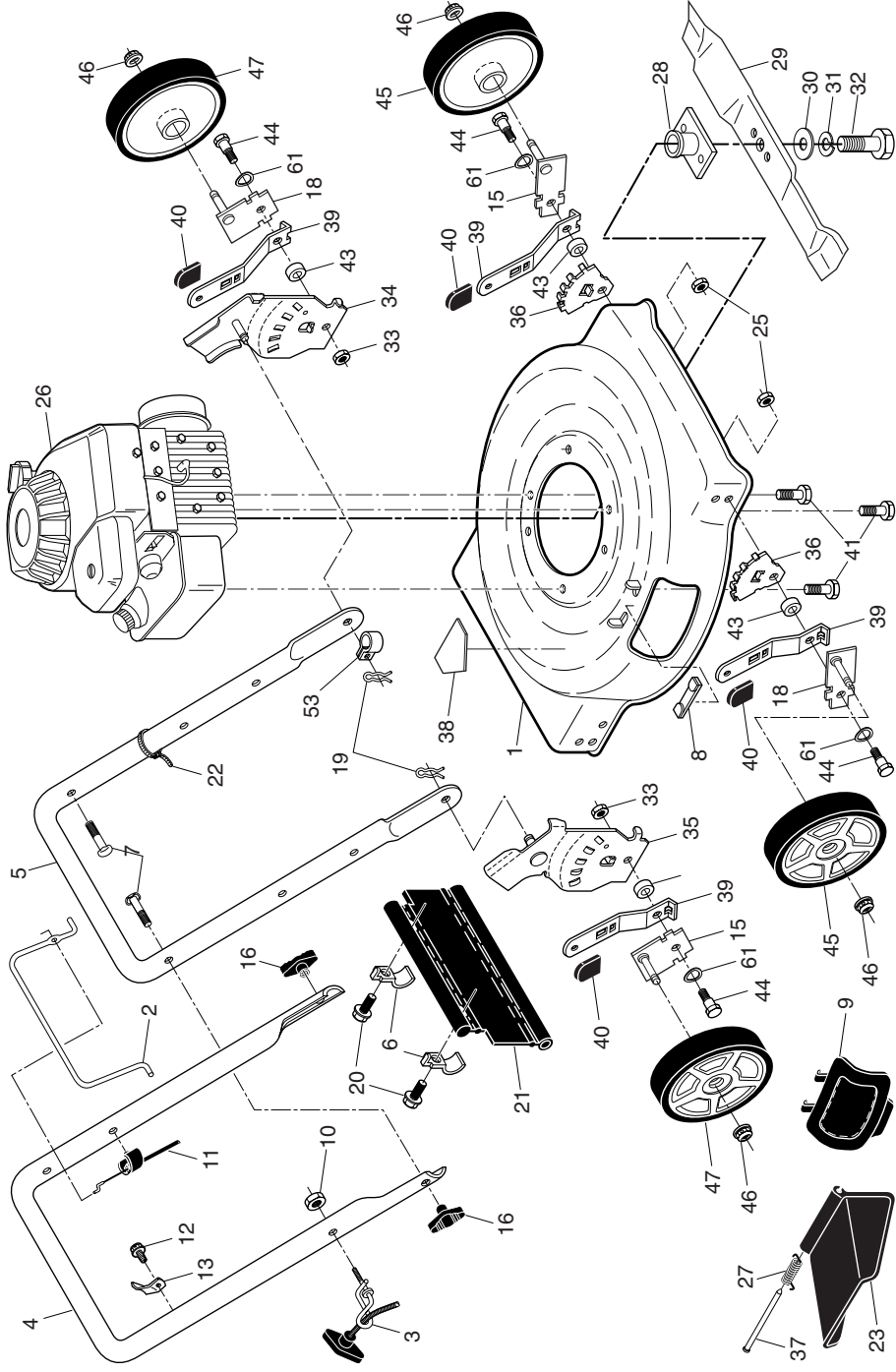
## REPAIR PARTS MANUAL MODEL NO. 96114001502 Rotary Lawn Mower

For Parts and Service, contact our authorized distributor: call 1-800-849-1297  
For Technical Assistance: call 1-800-829-5886

# WEED EATER®

# WEED EATER®

## ROTARY LAWN MOWER -- MODEL NUMBER 96114001502



2

## ROTARY LAWN MOWER -- MODEL NUMBER 96114001502

**KEY PART NO.**

| KEY PART NO. | DESCRIPTION   |
|--------------|---|
| 1            | 161657 Lawn Mower Housing Assembly (Includes Key Number 38)   |
| 2            | 194177X428 Control Bar  |
| 3            | 194788 Rope Guide   |
| 4            | 194179X479 Upper Handle   |
| 5            | 169708X479 Lower Handle   |
| 6            | 192301X004 Hinge Bracket  |
| 7            | 191574 Handle Bolt 5/16-18  |
| 8            | 161622 Clip, Closeout   |
| 9            | 160830 Mulcher Plate  |
| 10           | 132004 Locknut, Hex 1/4-20  |
| 11           | 158152 Engine Zone Control Cable  |
| 12           | 750634 Screw, Hex Head, Threaded, Rolled #10-24 x1/2  |
| 13           | <b>429930X004</b> Up-Stop Bracket   |
| 15           | 401174X004 Axle Arm Assembly (Rear, RH / Front, LH)   |
| 16           | 189713X428 Handle Knob  |
| 18           | 401175X004 Axle Arm Assembly (Rear, LH / Front, RH)   |
| 19           | 51793 Hairpin Cotter  |
| 20           | 750097 Screw  |
| 21           | 413160 Rear Skirt   |
| 22           | 66426 Wire Tie  |
| 23           | 160831 Discharge Guard  |
| 25           | <b>426589</b> Nut, Hex  |
| 26           | --- Engine, Briggs & Stratton, Model Number 10T502-1022-B1 (For engine service and replacement parts, call Briggs & Stratton at 1-800-233-3723) |

3

**KEY PART NO.**

| KEY PART NO. | DESCRIPTION   |
|--------------|---|
| 27           | 408585 Torsion Spring                               |
| 28           | <b>193825</b> Blade Adapter                         |
| 29           | 406713 22" Blade                                    |
| 30           | 851074 Hardened Washer                              |
| 31           | 850263 Helical Lockwasher 3/8                       |
| 32           | 851084 Hex Head Screw 3/8-24 x 1/4 Grade 8          |
| 33           | 73930500 Nut, Hex, Centerlock 5/16-18               |
| 34           | 400781X479 Support, Wheel Bracket, LH               |
| 35           | 400782X479 Support, Wheel Bracket, RH               |
| 36           | 407494X005 Adjuster, Wheel Bracket                  |
| 37           | 160833 Hinge Rod                                    |
| 38           | 404763 Danger Decal                                 |
| 39           | 401621X004 Selector Spring                          |
| 40           | 87877 Selector Knob                                 |
| 41           | 150406 Screw, Hex Head, Threaded, Rolled 3/8-16 x 1 |
| 43           | 401629 Spacer                                       |
| 44           | 401638 Shoulder Bolt                                |
| 45           | <b>193931X617</b> Wheel & Tire Assembly, Front      |
| 46           | 409148 Locknut, Hex 3/8-16                          |
| 47           | 193905X617 Wheel & Tire Assembly, Rear              |
| 53           | 197991 Clip, Cable                                  |
| 61           | 401630 Washer, Curved, Cylindrical                  |
| --           | 404764 Warning Decal (not shown)                    |
| --           | 193732 Operator's Manual, English                   |
| --           | 193735 Operator's manual, Spanish                   |
| --           | <b>431866</b> Repair Parts Manual                   |

**IMPORTANT:** Use only Original Equipment Manufacturer (O.E.M.) replacement parts. Failure to do so could be hazardous, damage your lawn mower and void your warranty.

**NOTE:** All component dimensions given in U.S. inches. 1 inch = 25.4 mm.