

LIMITED WARRANTY

The Manufacturer warrants to the original consumer purchaser that this product as manufactured is free from defects in materials and workmanship. For a period of two (2) years from date of purchase by the original consumer purchaser, we will repair or replace, at our option, without charge for parts or labor incurred in replacing parts, any part which we find to be defective due to materials or workmanship. This Warranty is subject to the following limitations and exclusions.

1. This warranty does not apply to the engine, transaxle/transmission components, battery (except as noted below) or components parts thereof. Please refer to the applicable manufacturer's warranty on these items.
2. Transportation charges for the movement of any power equipment unit or attachment are the responsibility of the purchaser. Transportation charges for any parts submitted for replacement under this warranty must be paid by the purchaser unless such return is requested by the manufacturer.
3. Battery Warranty: On products equipped with a Battery, we will replace, without charge to you, any battery which we find to be defective in manufacture, during the first ninety (90) days of ownership. After ninety (90) days, we will exchange the Battery, charging you 1/12 of the price of a new Battery for each full month from the date of the original sale. Battery must be maintained in accordance with the instructions furnished.
4. The Warranty period for any products used for rental or commercial purposes is limited to 45 days from the date of original purchase.
5. This Warranty applies only to products which have been properly assembled, adjusted, operated, and maintained in accordance with the instructions furnished. This Warranty does not apply to any product which has been subjected to alteration, misuse, abuse, improper assembly or installation, delivery damage, or to normal wear of the product.
6. Exclusions: Excluded from this Warranty are belts, blades, blade adapters, normal wear, normal adjustments, standard hardware and normal maintenance.
7. In the event you have a claim under this Warranty, you must return the product to an authorized service dealer.

Should you have any unanswered questions concerning this Warranty, contact:

Poulan Pro
Customer Service Department
1030 Stevens Creek Road
Augusta, GA 30907 USA

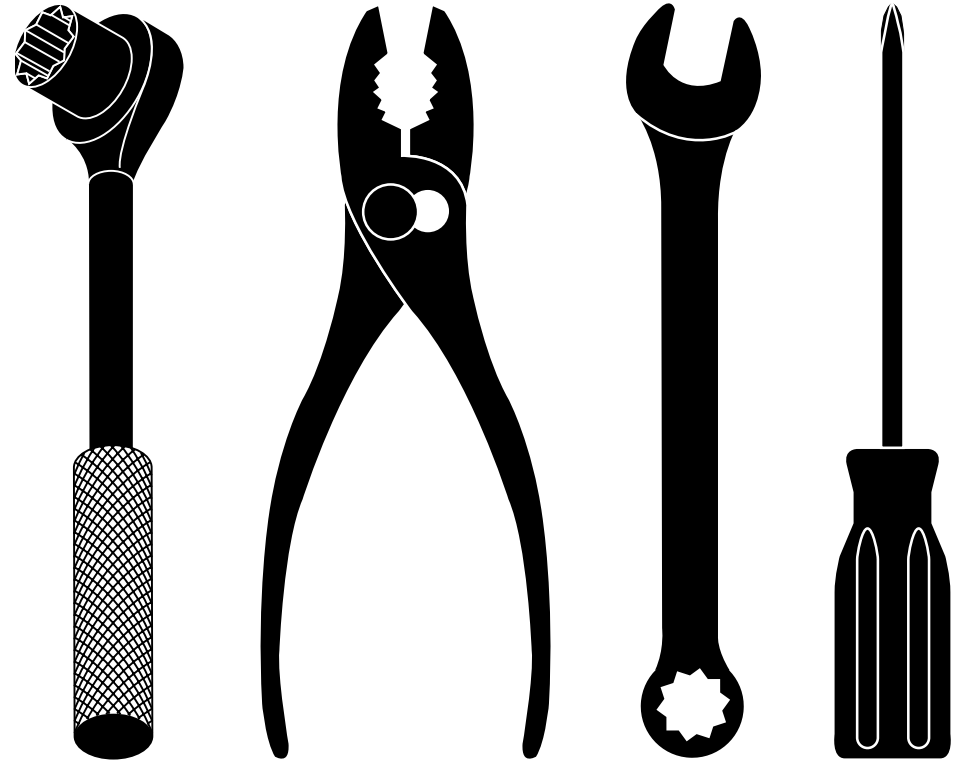
In Canada contact:
Poulan Pro
Customer Service Department
5855 Terry Fox Way
Mississauga, Ontario L5V 3E4

giving the model number, serial number and date of purchase of your product and the name and address of the authorized dealer from whom it was purchased.

THIS WARRANTY DOES NOT APPLY TO INCIDENTAL OR CONSEQUENTIAL DAMAGES AND ANY IMPLIED WARRANTIES ARE LIMITED TO THE SAME TIME PERIODS STATED HEREIN FOR OUR EXPRESSED WARRANTIES.

Some areas do not allow the limitation of consequential damages or limitations of how long an implied Warranty may last, so the above limitations or exclusions may not apply to you. This Warranty gives you specific legal rights, and you may have other rights which vary from locale to locale.

This is a limited Warranty within the meaning of that term as defined in the Magnuson-Moss Act of 1975.



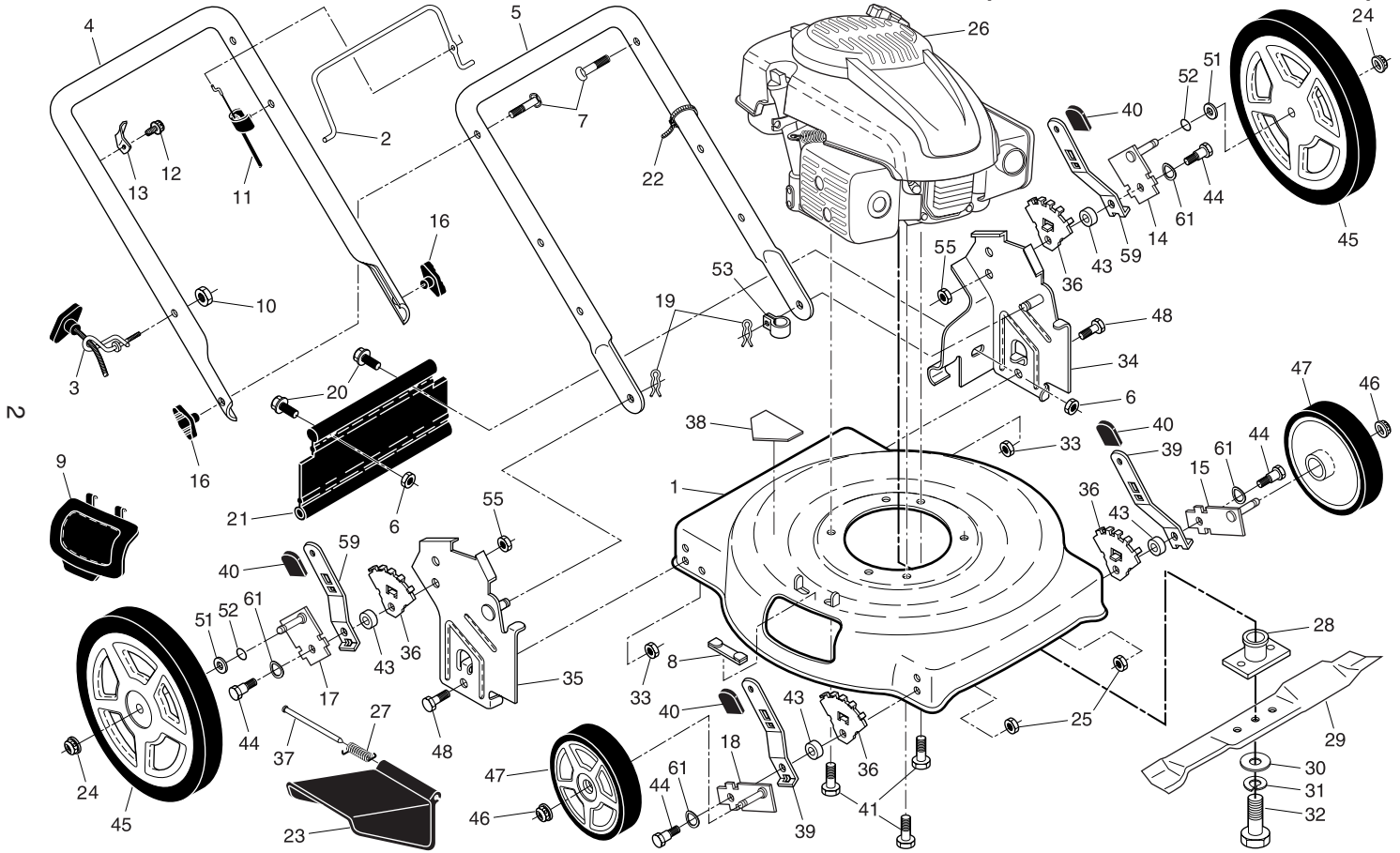
REPAIR PARTS MANUAL MODEL NO. PR625N22SHC (MFG. ID. NO. 96118000501) Rotary Lawn Mower

For Parts and Service, contact our authorized distributor: call 1-800-849-1297
For Technical Assistance: call 1-800-829-5886

Poulan PRO

Poulan PRO

ROTARY LAWN MOWER - - MODEL NUMBER PR625N22SHC (MFG. ID. NO. 96118000501)



ROTARY LAWN MOWER - - MODEL NUMBER PR625N22SHC (MFG. ID. NO. 96118000501)

KEY NO.	PART NO.	DESCRIPTION	KEY NO.	PART NO.	DESCRIPTION	KEY NO.	PART NO.	DESCRIPTION
1	165187	Kit, Lawn Mower Housing (Includes Key Number 38)	19	51793	Hairpin Cotter	37	160833	Hinge Rod
2	194176X421	Control Bar	20	74760412	Screw, Hex Cap Head 1/4-20	38	404763	Danger Decal
3	194788	Rope Guide	21	413160	Rear Deflector	39	401621X004	Selector Spring, Front
4	194180X479	Upper Handle	22	66426	Wire Tie	40	701037X421	Selector Knob
5	400512X479	Lower Handle	23	160831	Discharge Guard	41	150406	Screw, Hex Head, Threaded, Rolled 3/8-16 x 1
6	73800400	Locknut, Hex 1/4-20	24	409149	Nut, Hex, Flangelock 3/8-16	43	401629	Spacer
7	191574	Handle Bolt 5/16-18	25	166785	Nut, Hex, Flangelock 5/16-18	44	401638	Shoulder Bolt 5/16-18
8	161622	Clip, Closeout	26	---	Engine, Kohler, Model No. XT149-0026-EA (order parts from engine manufacturer)	45	193906X421	Wheel & Tire Assembly, Rear, 12"
9	160830	Mulcher Plate	27	408585	Torsion Spring	46	409148	Nut, Hex, Flangelock 3/8-16
10	132004	Nut, Hex 1/4-20	28	420097	Blade Adapter	47	193909X421	Wheel & Tire Assembly, Front, 8"
11	183281	Engine Zone Control Cable	29	406713	22" Blade	48	74760514	Bolt, Hex Head 5/16-18
12	750634	Hex Washer Head Screw #10-24 x 1/2	30	851074	Hardened Washer	51	88348	Washer, Flat 3/8
13	86899X004	Up-Stop Bracket	31	850263	Helical Lockwasher 3/8	52	197480	O-Ring
14	401176X004	Axle Arm Assembly, Rear, LH	32	851084	Screw, Hex Head, Grade 8, 3/8-24 x 1-3/8	53	197991	Clip, Cable
15	401174X004	Axle Arm Assembly, Front, LH	33	73800500	Nut, Hex, Nylock 5/16-18	55	751153	Nut, Hex
16	189713X428	Knob, Handle	34	193083X479	Handle Bracket, LH	59	401624X004	Selector Spring, Rear
17	401177X004	Axle Arm Assembly, Rear, RH	35	193082X479	Handle Bracket, RH	61	401630	Washer, Curved, Cylindrical
18	401175X004	Axle Arm Assembly, Front, RH	36	407494X005	Wheel Bracket Adjuster	--	404764	Warning Decal (not shown)
						--	193732	Operator's Manual, English
						--	193734	Operator's Manual, French
						--	427909	Repair Parts Manual

NOTE: All component dimensions given in U.S. inches. 1 inch = 25.4 mm.

IMPORTANT: Use only Original Equipment Manufacturer (O.E.M.) replacement parts. Failure to do so could be hazardous, damage your lawn mower and void your warranty.