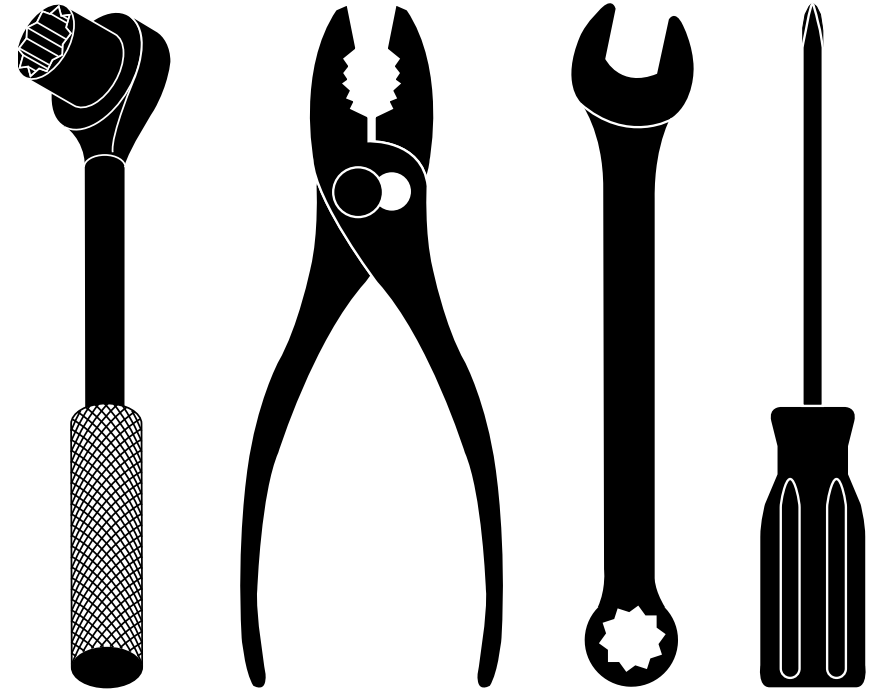


# Poulan

# Poulan



## **REPAIR PARTS MANUAL**

MODEL NUMBER **PO140N22S**  
(MFG. ID. NUMBER 96118001001)

### **Rotary Lawn Mower**

For Parts and Service or Technical Assistance, call 1-800-487-5951

## **MANUEL DES PIÈCES DE RECHANGE**

NUMÉRO DE MODÈLE **PO140N22S**  
(NO. DE MFG. 96118001001)

### **Tondeuse à Gazon Rotative**

Pour les pièces de rechange et l'entretien ou l'assistance technique,  
appelez 1-800-487-5951

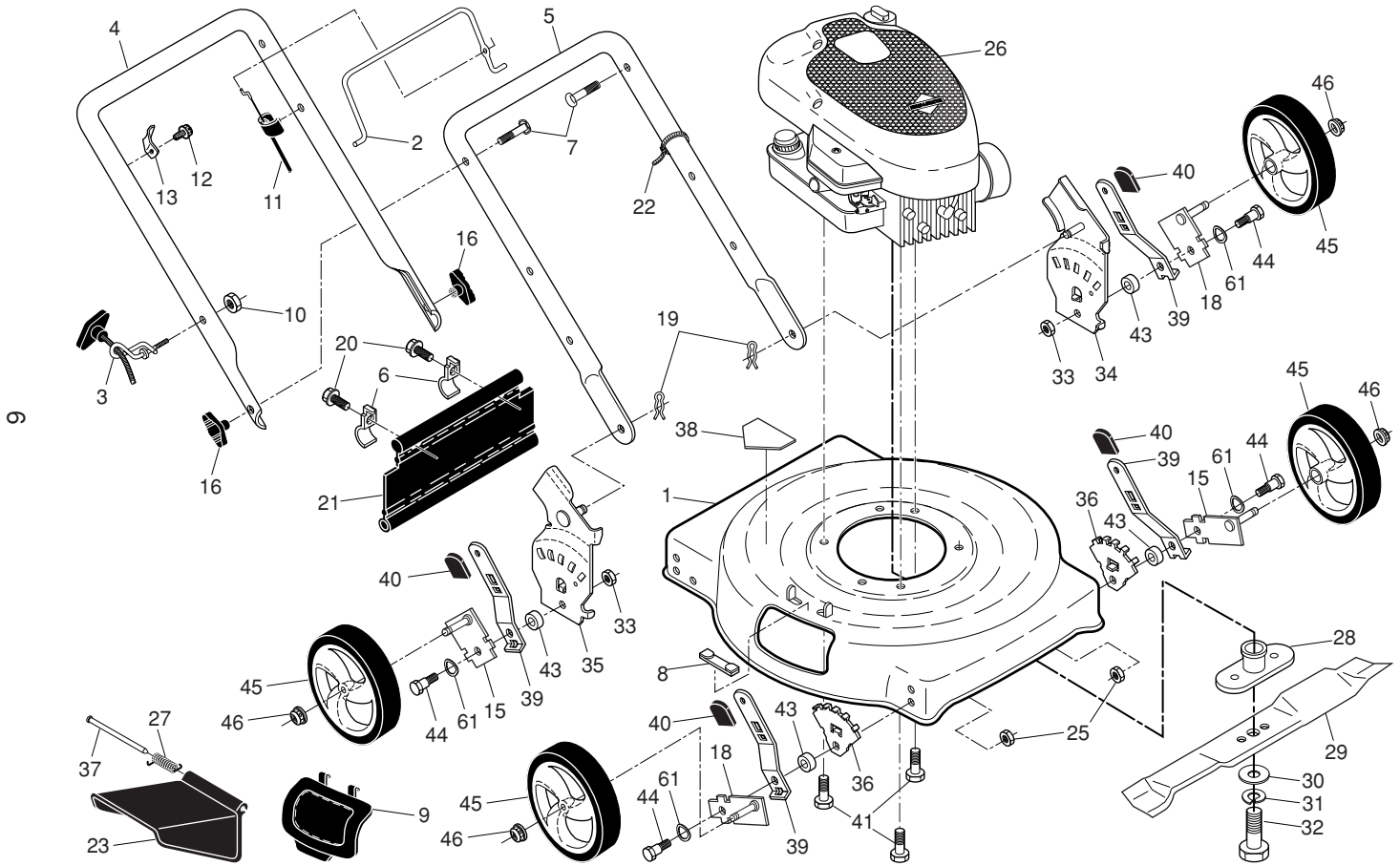
Gasoline containing up to 10% ethanol (E10) is acceptable for use in this machine.  
The use of any gasoline exceeding 10% ethanol (E10) will void the product warranty.

Vous pouvez utiliser de l'essence contenant jusqu'à 10 % d'éthanol (E10) avec cet appareil.  
L'utilisation d'essence contenant plus de 10 % d'éthanol annulera la garantie du produit.

580 61 85-32 02.21.12 BY

Printed in U.S.A.

# TONDEUSE À GAZON ROTATIVE - NO. DE MODÈLE **PO140N22S** (MFG. ID. NO. 96118001001)



# POULAN ROTARY LAWN MOWER - MODEL NUMBER **PO140N22S** (MFG. ID. NO. 96118001001)

KEY NO.	PART NO.	DESCRIPTION	KEY NO.	PART NO.	DESCRIPTION
1	532 17 28-20	Kit, Housing (Includes Key Number 38)	27	532 40 85-85	Torsion Spring
2	532 19 60-25	Control Bar	28	532 85 09-77	Blade Adapter
3	532 19 47-88	Rope Guide	29	532 40 67-13	22" Blade
4	532 44 82-63	Upper Handle	30	532 85 10-74	Hardened Washer
5	532 43 45-14	Lower Handle	31	532 85 02-63	Helical Lockwasher 3/8
6	532 43 63-72	Bracket, Rear Skirt	32	532 85 10-84	Screw, Hex Head, Grade 8 3/8-24 x 1-3/8
7	532 19 15-74	Handle Bolt 5/16-18	33	873 93 05-00	Nut, Hex, Flangelock 5/16-18
8	532 16 16-22	Clip, Closeout	34	532 40 34-56	Wheel Bracket Support (Left)
9	532 16 08-30	Plate, Mulcher	35	532 40 34-57	Wheel Bracket Support (Right)
10	532 13 20-04	Locknut, Hex 1/4-20	36	532 41 05-94	Wheel Bracket Adjuster
11	532 44 09-34	Engine Zone Control Cable	37	532 16 08-33	Hinge Rod
12	532 17 88-48	Screw, Hex Head, Threaded, Rolled #10-16 x 5/8	38	532 40 47-63	Danger Decal
13	532 43 00-34	Up-Stop Bracket	39	532 40 64-28	Selector Spring
15	532 40 66-89	Axle Arm Assembly, Left Front & Right Rear	40	532 08 78-77	Selector Knob
16	532 44 50-19	Handle Knob	41	532 15 04-06	Screw, Hex Head, Threaded, Rolled 3/8-16 x 1
18	532 40 66-90	Axle Arm Assembly, Right Front & Left Rear	43	532 40 16-29	Spacer
19	532 0517-93	Hairpin Cotter	44	532 40 16-38	Shoulder Bolt 5/16-18 x .33
20	532 75 00-97	Screw, Tapping, Hex Washer Head #10-24	45	532 44 12-95	Wheel & Tire Assembly
21	532 41 31-60	Rear Skirt	46	532 40 91-48	Nut, Hex, Flangelock 3/8-16
22	532 06 64-26	Wire Tie	61	532 40 16-30	Washer, Curved, Cylindrical
23	532 16 08-31	Discharge Guard	--	532 40 47-64	Warning Decal (not shown)
25	532 42 65-89	Nut, Hex, Flangelock 5/16-18	--	532 19 37-32	Operator's Manual, English
26	- - -	Engine, Briggs & Stratton, Model No. <b>10L802-0119-F1</b> (For engine service and replacement parts, call Briggs & Stratton at 1-800-233-3723)	--	532 19 37-34	Operator's Manual, French
			--	<b>580 61 85-32</b>	Repair Parts Manual

**NOTE:** All component dimensions given in U.S. inches. 1 inch = 25.4 mm.

**IMPORTANT:** Use only Original Equipment Manufacturer (O.E.M.) replacement parts. Failure to do so could be hazardous, damage your lawn mower and void your warranty.