



LIMITED WARRANTY

The Manufacturer warrants to the original consumer purchaser that this product as manufactured is free from defects in materials and workmanship. For a period of two (2) years from date of purchase by the original consumer purchaser, we will repair or replace, at our option, without charge for parts or labor incurred in replacing parts, any part which we find to be defective due to materials or workmanship. This Warranty is subject to the following limitations and exclusions.

1. This warranty does not apply to the engine, transaxle/transmission components, battery (except as noted below) or components parts thereof. Please refer to the applicable manufacturer's warranty on these items.
2. Transportation charges for the movement of any power equipment unit or attachment are the responsibility of the purchaser. Transportation charges for any parts submitted for replacement under this warranty must be paid by the purchaser unless such return is requested by the manufacturer.
3. Battery Warranty: On products equipped with a Battery, we will replace, without charge to you, any battery which we find to be defective in manufacture, during the first ninety (90) days of ownership. After ninety (90) days, we will exchange the Battery, charging you 1/12 of the price of a new Battery for each full month from the date of the original sale. Battery must be maintained in accordance with the instructions furnished.
4. The Warranty period for any products used for rental or commercial purposes is limited to 45 days from the date of original purchase.
5. This Warranty applies only to products which have been properly assembled, adjusted, operated, and maintained in accordance with the instructions furnished. This Warranty does not apply to any product which has been subjected to alteration, misuse, abuse, improper assembly or installation, delivery damage, or to normal wear of the product.
6. Exclusions: Excluded from this Warranty are belts, blades, blade adapters, normal wear, normal adjustments, standard hardware and normal maintenance.
7. In the event you have a claim under this Warranty, you must return the product to an authorized service dealer.

Should you have any unanswered questions concerning this Warranty, contact:

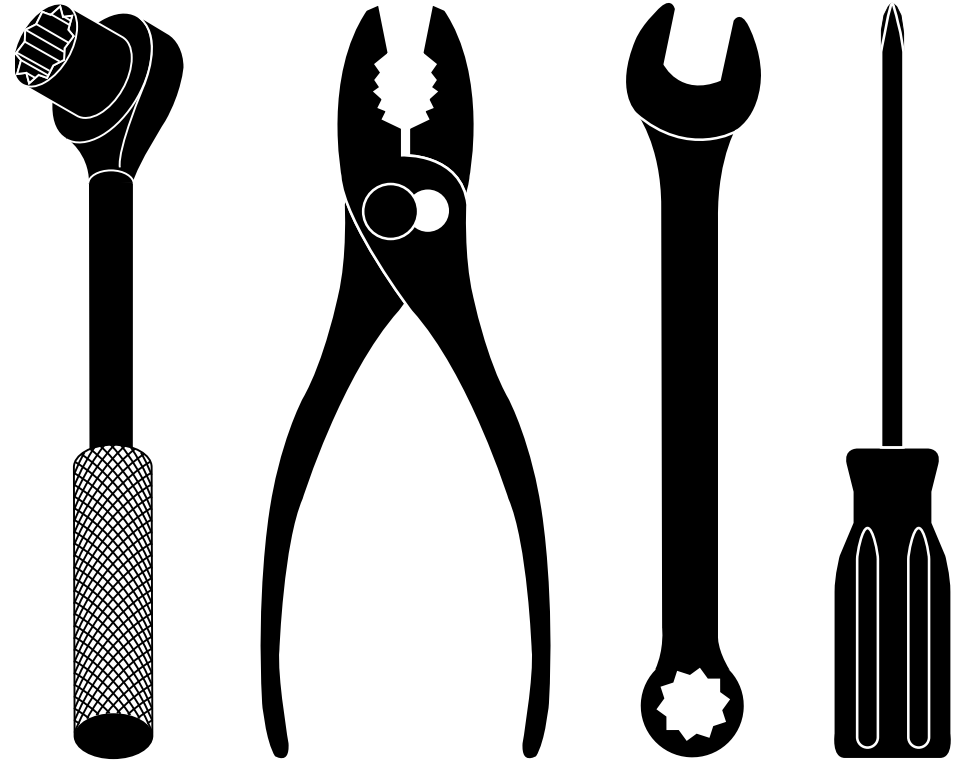
Briggs and Stratton Canada
Customer Service
1195 Courtneypark Dr. East
Mississauga, Ontario
L5T-1R1

Or, Call Toll Free:
1-800-661-6662
8:30 am – 5 pm ET, Mon–Fri
and ask for Customer Service

giving the model number, serial number and date of purchase of your product and the name and address of the authorized dealer from whom it was purchased.

THIS WARRANTY DOES NOT APPLY TO INCIDENTAL OR CONSEQUENTIAL DAMAGES AND ANY IMPLIED WARRANTIES ARE LIMITED TO THE SAME TIME PERIODS STATED HEREIN FOR OUR EXPRESSED WARRANTIES. Some areas do not allow the limitation of consequential damages or limitations of how long an implied Warranty may last, so the above limitations or exclusions may not apply to you. This Warranty gives you specific legal rights, and you may have other rights which vary from locale to locale.

This is a limited Warranty within the meaning of that term as defined in the Magnuson-Moss Act of 1975.



REPAIR PARTS MANUAL

MODEL NO. 30534376

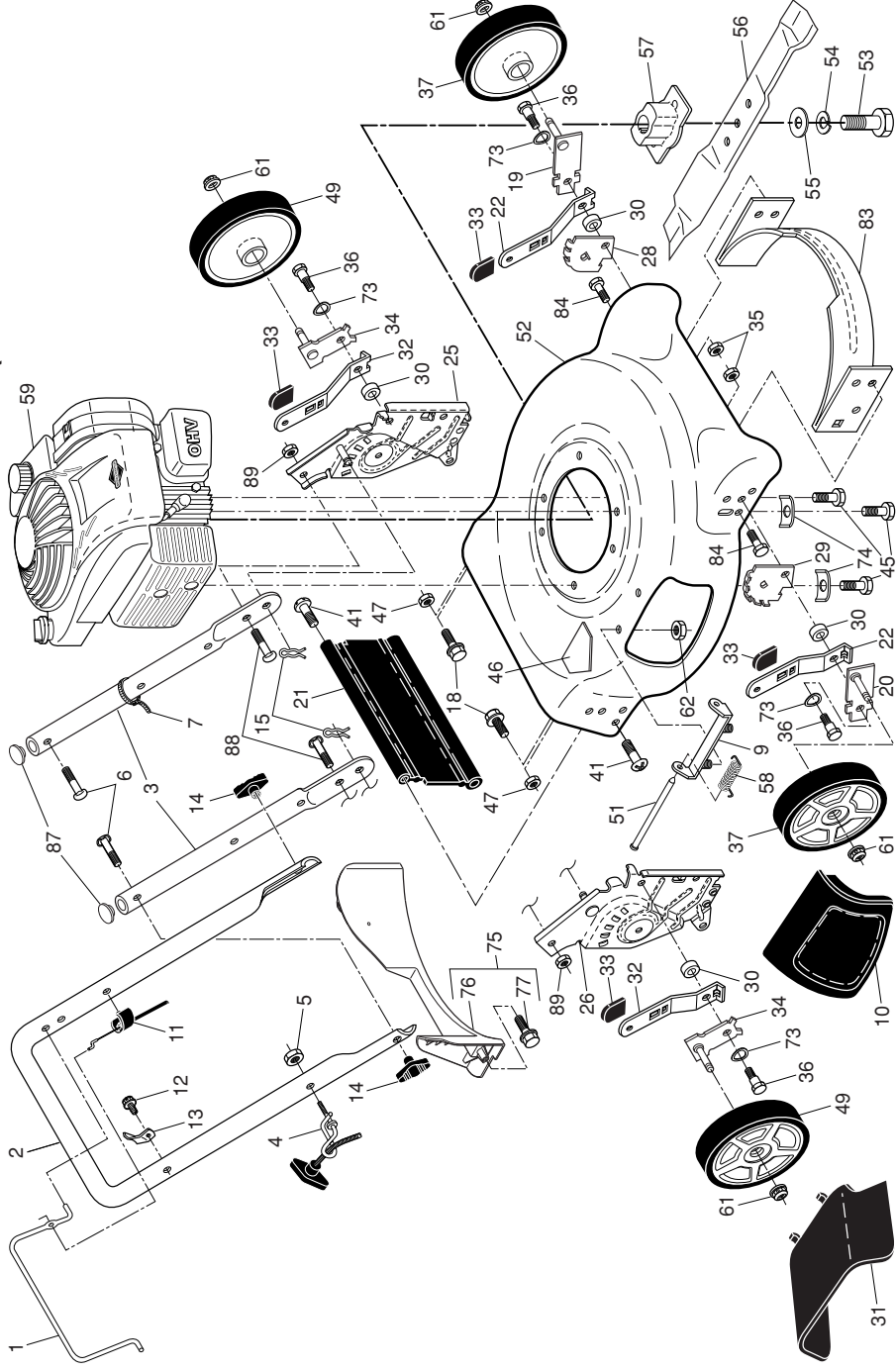
MFG. I.D. NO. 96118001200

Rotary Lawn Mower

For Parts and Service or Technical Assistance, call 1-800-661-6662

NOTE: Gasoline containing up to 10% ethanol (E10) is acceptable for use in this machine. The use of any gasoline exceeding 10% ethanol (E10) will void the product warranty.

MURRAY ROTARY LAWN MOWER - MODEL NUMBER 30534376 (MFG ID. NO. 96118001200)



2

MURRAY ROTARY LAWN MOWER - MODEL NUMBER 30534376 (MFG ID. NO. 96118001200)

KEY PART NO.	DESCRIPTION	KEY PART NO.	DESCRIPTION	KEY PART NO.	DESCRIPTION
1	194176X428 Control Bar	29	407500X005 Wheel Adjusting Bracket, RH	58	152124 Hinge Spring
2	447814X479 Upper Handle	30	401629 Spacer	59	Engine, Briggs & Stratton, Model Number 9P702-0025-F1 (For engine service and replacement parts, call Briggs & Stratton at 1-800-233-3723)
3	580638602 Bar, Lower Handle	31	165760 Discharge Deflector	61	409148 Flanged Locknut
4	194788 Rope Guide	32	401623X004 Selector Spring, Rear	62	73800400 Nut, Hex
5	132004 Nut, Hex	33	87877 Selector Knob	73	40 16-30 Washer, Curved, Cylindrical
6	191574 Handle Bolt	34	401173X004 Axle Arm Assembly, Rear	74	851201X004 Washer, Special, Engine Kit, Rear Baffle (Includes 3 Screws)
7	66426 Wire Tie	35	426589 Locknut, Hex 5/16-18	75	413693 Baffle, Rear
9	154132 Hinge Bracket	36	401638 Shoulder Bolt 5/16-18	76	410589 Baffle, Rear
10	165754 Mulcher Door	37	193931X460 Wheel & Tire Assembly, Front, 7 x 1-3/4	77	17411312 Screw, Rear Baffle
11	440934 Engine Zone Control Cable	41	194186 Screw, Hinge	83	428501 Baffle, Front
12	178848 Hex Washer Head Screw #10-16 x 5/8	45	150406 Hex Head Thread Rolling Screw 3/8-16 x 1	84	17000510 Screw, Hex Head 5/8-16
13	429930X004 Up-Stop Bracket	46	404763 Danger Decal	87	437516 Bolt, Handle Bar
14	189713X428 Handle Knob	47	739305000 Nut, Hex	88	72250505 Nut, Hex
15	51793 Hairpin Cotter	49	193905X460 Wheel & Tire Assembly, Rear, 8 x 1-3/4	89	73970500 Warming Decal (not shown)
18	17600406 Screw	51	147286 Hinge Rod	--	404764 Operator's Manual, English
19	401174X004 Axle Arm Assembly, Front, LH	52	581708312 Kit, Housing (Includes #46)	--	193732 Operator's Manual, French
20	401175X004 Axle Arm Assembly, Front, RH	53	851084 Screw, Hex Head, Grade 8 3/8-24 x 1-3/8	--	193735 Operator's Manual, Spanish
21	418655 Kit, Rear Skirt	54	850263 Helical Lockwasher	--	581790427 Repair Parts Manual
22	401621X004 Selector Spring, Front	55	851074 Hardened Washer		
25	581714502 Handle Bracket, LH	56	406712 21" Blade		
26	581714602 Handle Bracket, RH	57	850977 Blade Adapter		
28	407499X005 Wheel Adjusting Bracket, LH				

IMPORTANT: Use only Original Equipment Manufacturer (O.E.M.) replacement parts. Failure to do so could be hazardous, damage your lawn mower and void your warranty.

NOTE: All component dimensions given in U.S. inches. 1 inch = 25.4 mm.