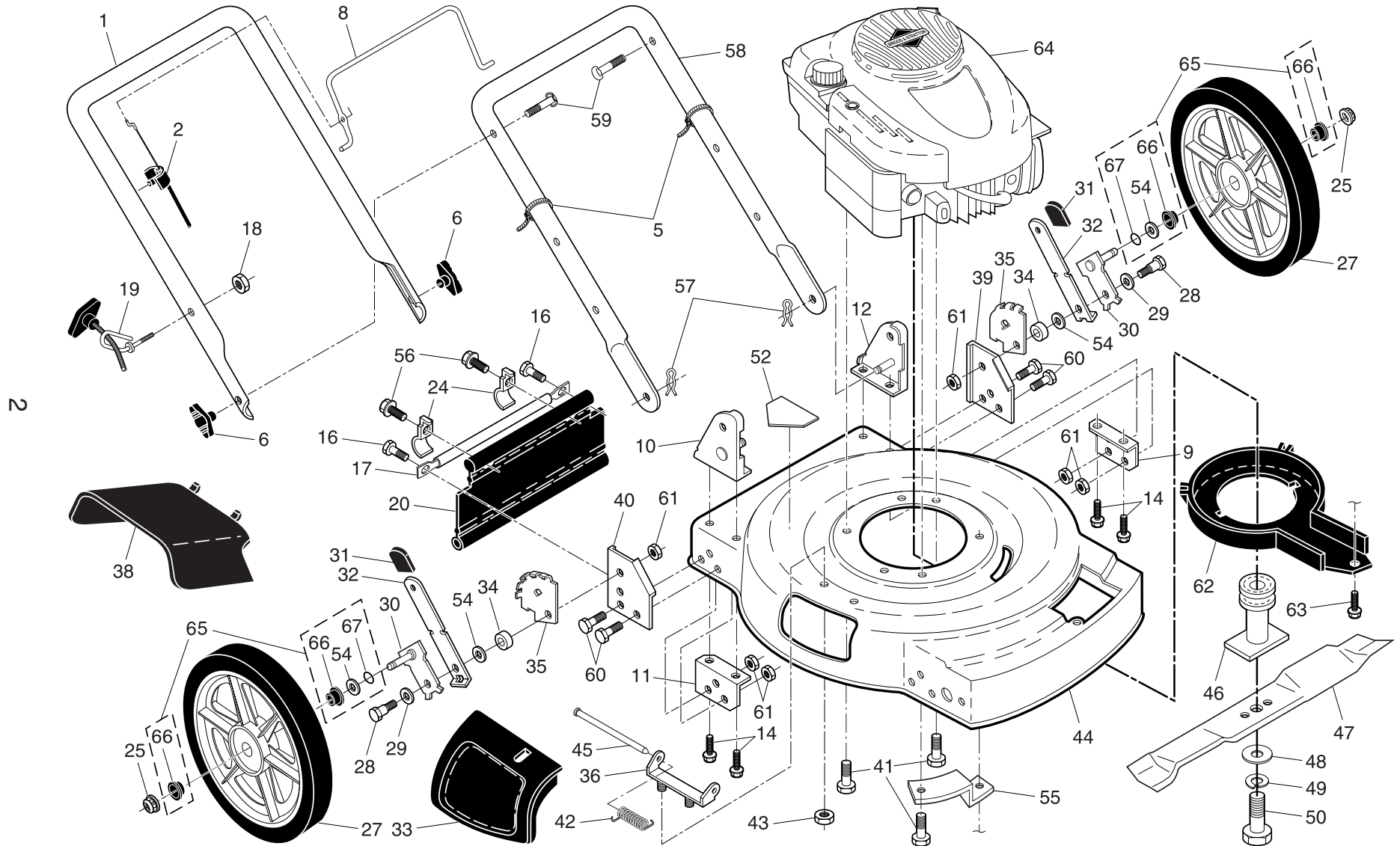


ROTARY LAWN MOWER - - CATALOG NUMBER PR675Y22SHP (MFG. ID. NUMBER 96122000400)



ROTARY LAWN MOWER - - CATALOG NUMBER **PR675Y22SHP** (MFG. ID. NUMBER 96122000400)

KEY NO.	PART NO.	DESCRIPTION	KEY NO.	PART NO.	DESCRIPTION
1	166860X479	Upper Handle	45	147286	Rod, Hinge
2	156581	Engine Zone Control Cable	46	189179	Blade Adapter / Pulley
5	66426	Wire Tie	47	192682	Blade, 22"
6	189713X428	Handle Knob	48	851074	Washer, Hardened
8	146771	Control Bar	49	850263	Washer, Lock, Helical Spring
9	153282X479	Support Bracket, Handle, LH	50	851084	Screw, Hex Head 3/8-24 x 1-3/8 (Grade 8)
10	170345X479	Handle Bracket Assembly, RH	52	107339X	Decal, Danger
11	153350X479	Support Bracket, Handle, RH	54	88348	Washer, Flat 3/8
12	170346X479	Handle Bracket Assembly, LH	55	188839X004	Mounting Bracket, Debris Shield
14	149741	Screw, Thread Cutting 5/16-18 x 3/4	56	750097	Screw, Hex Washer Head #10-24 x 1/2
16	54583	Screw, Support Rod	57	51793	Hairpin Cotter
17	165175X479	Rod, Support	58	151590X479	Lower Handle
18	132004	Locknut, Keps 1/4-20	59	191574	Handle Bolt
19	179585	Rope Guide	60	74760612	Bolt, Hex Head 3/8-16 x 3/4
20	189008	Rear Deflector	61	751592	Locknut, Hex 3/8-16
24	87584X004	Bracket, Deflector	62	188784	Debris Shield
25	83923	Locknut, Hex 3/18-16	63	192325	Screw
27	181383	Wheel & Tire Assembly, Rear, 14"	64	- - -	Engine, Briggs & Stratton, Model Number 125K02 (For engine service and replacement parts, call Briggs & Stratton at 1-800-233-3723)
28	142748	Bolt, Shoulder 3/8-16 x 1	65	193498	Kit, Bushing, High Wheel
29	61651	Belleville Washer	66	193028X428	Bushing, Nylon, Black
30	180413X004	Axle Arm Assembly	67	188152	O-Ring
31	170143	Knob, Selector	--	162300	Warning Decal (not shown)
32	700331X004	Spring, Selector	--	193733	Operator's Manual, English
33	151889	Mulcher Door	--	193736	Operator's Manual, French
34	146630	Spacer	--	195087	Repair Parts Manual, English / French
35	750085X007	Bracket, Wheel Adjuster	Available accessories not included with lawn mower:		
36	154132	Bracket, Housing	--	GCK5000	Grass Catcher Assembly
38	176509	Deflector, Discharge	NOTE: All component dimensions given in U.S. inches. 1 inch = 25.4 mm		
39	700168X479	Support Bracket, LH			
40	700166X479	Support Bracket, RH			
41	150406	Screw, Hex Head, Threaded, Rolled 3/8-16 x 1-1/8			
42	152124	Spring, Torsion			
43	73800400	Locknut, Hex 1/4-20			
44	194628	Lawn Mower Housing (Includes Key Number 52)			

IMPORTANT: Use only Original Equipment Manufacturer (O.E.M.) replacement parts. Failure to do so could be hazardous, damage your lawn mower and void your warranty.

ROTARY LAWN MOWER - - CATALOG NUMBER **PR675Y22SHP** (MFG. ID. NUMBER 96122000400)

5

KEY NO.	PART NO.	DESCRIPTION
1	184587	Control Cable Assembly
2	88058	Bearing, Wheel Adjuster
3	143603	Pan Head Tapping Screw #10-24 x 2-3/4
4	158755	Hex Washer Head Screw 1/4-20 x 2.12
5	146527	V-Belt
6	150495	Spring Retainer
7	191730	Nut, Hex, Flanged 1/4-20
8	77400	Hubcap
9	145212	Locknut
11	180766	Wheel & Tire Assembly
12	12000058	E-Ring
13	137054	Pinion
14	189403	Dust Cover
16	67725	Washer 1/2 x 1-1/2 x .134
18	170143	Selector Knob
28	194398X428	Drive Cover
31	132010	Hex Flange Nut
32	189407	Drive Pulley
35	152018	Kit, Wheel Adjuster, LH (Includes Knob and Bearing)
36	187211	Gear Case Assembly, Complete
38	73800400	Locknut, Hex 1/4-20
40	137090	Spring

KEY NO.	PART NO.	DESCRIPTION
41	152019	Kit, Wheel Adjuster, RH (Includes Knob and Bearing)
55	86012	Driveshaft Cover
60	183497	Case, Lower (Use Dow Corning #709 to reseal)
61	183498	Case, Upper (Use Dow Corning #709 to reseal)
62	183499	Gear, 27 Teeth
63	183500	Lever, Clutch
64	183501	Spring, Return
65	183502	Shaft, Input
66	183503	Dog, Movable
67	183504	Dog, Fixed
68	183505	Wire, Formed
69	183506	Bearing, Ball
70	183507	Fork, Shift
71	183508	Seal, Output Shaft
72	183509	Washer
73	183510	Seal, Case
74	183511	Bushing
75	187521	Shaft, Output
76	183513	Screw
77	183514	Seal, Input Shaft

NOTE: All component dimensions given in U.S. inches.
1 inch = 25.4 mm

IMPORTANT: Use only Original Equipment Manufacturer (O.E.M.) replacement parts. Failure to do so could be hazardous, damage your lawn mower and void your warranty.