

LIMITED WARRANTY

The Manufacturer warrants to the original consumer purchaser that this product as manufactured is free from defects in materials and workmanship. For a period of two (2) years from date of purchase by the original consumer purchaser, we will repair or replace, at our option, without charge for parts or labor incurred in replacing parts, any part which we find to be defective due to materials or workmanship. This Warranty is subject to the following limitations and exclusions.

1. This warranty does not apply to the engine, transaxle/transmission components, battery (except as noted below) or components parts thereof. Please refer to the applicable manufacturer's warranty on these items.
2. Transportation charges for the movement of any power equipment unit or attachment are the responsibility of the purchaser. Transportation charges for any parts submitted for replacement under this warranty must be paid by the purchaser unless such return is requested by the manufacturer.
3. Battery Warranty: On products equipped with a Battery, we will replace, without charge to you, any battery which we find to be defective in manufacture, during the first ninety (90) days of ownership. After ninety (90) days, we will exchange the Battery, charging you 1/12 of the price of a new Battery for each full month from the date of the original sale. Battery must be maintained in accordance with the instructions furnished.
4. The Warranty period for any products used for rental or commercial purposes is limited to 45 days from the date of original purchase.
5. This Warranty applies only to products which have been properly assembled, adjusted, operated, and maintained in accordance with the instructions furnished. This Warranty does not apply to any product which has been subjected to alteration, misuse, abuse, improper assembly or installation, delivery damage, or to normal wear of the product.
6. Exclusions: Excluded from this Warranty are belts, blades, blade adapters, normal wear, normal adjustments, standard hardware and normal maintenance.
7. In the event you have a claim under this Warranty, you must return the product to an authorized service dealer.

Should you have any unanswered questions concerning this Warranty, contact:

Weed Eater
Customer Service Department
9335 Harris Corners Parkway
Charlotte, NC 28269 USA

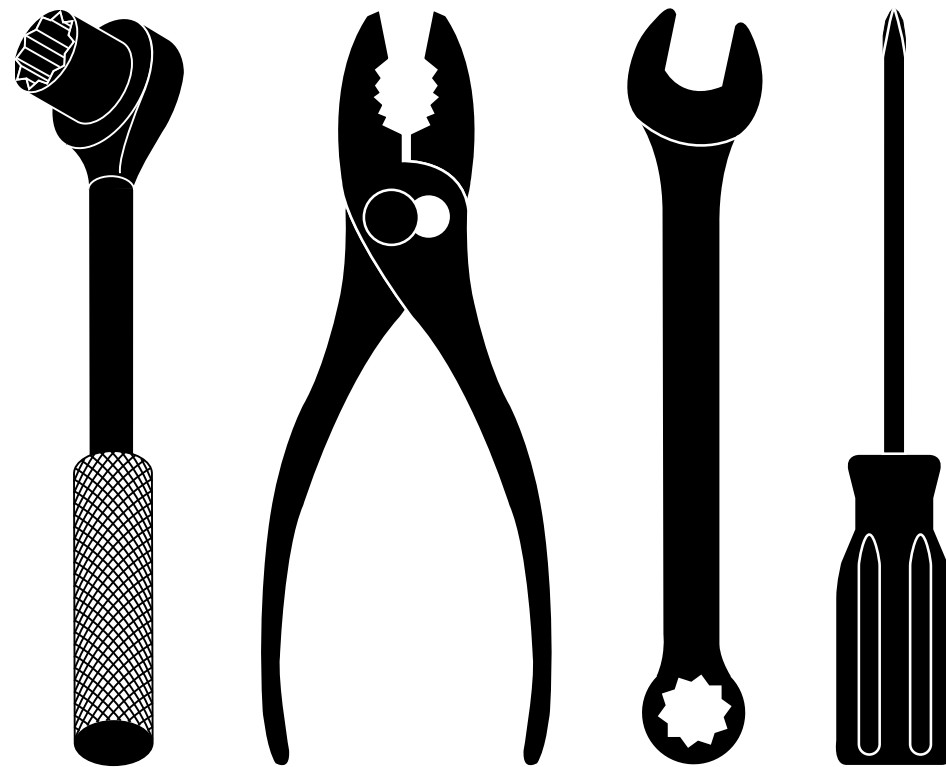
In Canada contact:
Weed Eater
Customer Service Department
5855 Terry Fox Way
Mississauga, Ontario L5V 3E4

giving the model number, serial number and date of purchase of your product and the name and address of the authorized dealer from whom it was purchased.

THIS WARRANTY DOES NOT APPLY TO INCIDENTAL OR CONSEQUENTIAL DAMAGES AND ANY IMPLIED WARRANTIES ARE LIMITED TO THE SAME TIME PERIODS STATED HEREIN FOR OUR EXPRESSED WARRANTIES.

Some areas do not allow the limitation of consequential damages or limitations of how long an implied Warranty may last, so the above limitations or exclusions may not apply to you. This Warranty gives you specific legal rights, and you may have other rights which vary from locale to locale.

This is a limited Warranty within the meaning of that term as defined in the Magnuson-Moss Act of 1975.



REPAIR PARTS MANUAL MODEL NO. 96132007200 Rotary Lawn Mower

For Parts and Service or Technical Assistance, call 1-800-487-5951

WEED EATER®

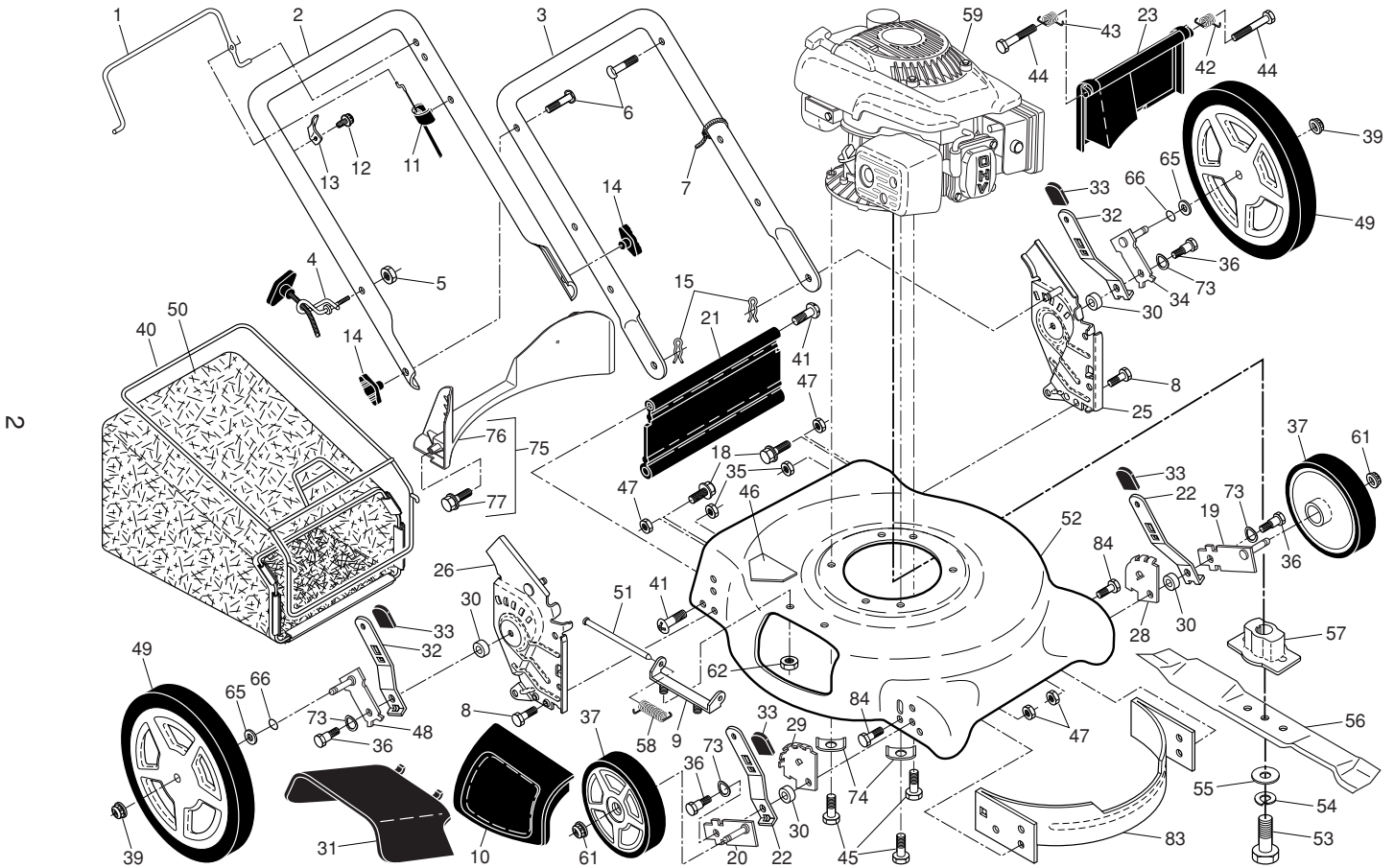
NOTE: Gasoline containing up to 10% ethanol (E10) is acceptable for use in this machine. The use of any gasoline exceeding 10% ethanol (E10) will void the product warranty.

532 44 57-31 Rev. 1 03.20.12 BY

Printed in U.S.A.

WEED EATER®

WEED EATER ROTARY LAWN MOWER - - MODEL NUMBER 96132007200



WEED EATER ROTARY LAWN MOWER - - MODEL NUMBER 96132007200

KEY NO.	PART NO.	DESCRIPTION	KEY NO.	PART NO.	DESCRIPTION	KEY NO.	PART NO.	DESCRIPTION
1	532 19 60-25	Control Bar	30	532 40 16-29	Spacer	54	532 85 02-63	Helical Lockwasher
2	532 44 82-63	Upper Handle	31	532 16 57-60	Discharge Deflector	55	532 85 10-74	Hardened Washer
3	532 43 45-14	Lower Handle	32	532 44 15-59	Selector Spring, Rear	56	532 40 67-12	21" Blade
4	532 19 47-88	Rope Guide	33	532 08 78-77	Selector Knob	57	532 41 83-73	Blade Adapter
5	532 13 20-04	Nut, Hex	34	532 41 06-00	Axle Arm Assembly, Rear, LH	58	532 15 21-24	Hinge Spring
6	532 19 15-74	Handle Bolt	35	532 42 65-89	Locknut, Hex 5/16-18	59	532 44 57-22	Engine, Rato, Model No. RV140-1 (For engine service and replacement parts, call HOP, Inc. at 1-800-487-5951)
7	532 06 64-26	Wire Tie	36	532 40 16-38	Shoulder Bolt	61	532 40 91-48	Nut, Hex
8	874 78 05-12	Bolt, Hex Head 5/16-18 x 3/4	37	532 43 64-33	Wheel & Tire Assembly, Front	62	873 80 04-00	Locknut, Hex 1/4-20
9	532 15 41-32	Hinge Bracket	39	532 40 91-49	Flanged Locknut, Hex	65	532 08 83-48	Washer, Flat
10	532 16 57-54	Mulcher Door	40	532 41 19-49	Frame, Grassbag	66	532 19 74-80	O-Ring
11	532 44 09-34	Engine Zone Control Cable	41	532 19 41-86	Hinge Screw	73	532 40 16-30	Washer, Curved, Cylindrical
12	532 17 88-48	Screw, Hex Washer Head #10-16 x 5/8	42	532 40 54-21	Spring, Rear Door, LH	74	532 12 50-78	Washer, Special, Engine
13	532 43 00-34	Up-Stop Bracket	43	532 40 54-23	Spring, Rear Door, RH	75	532 41 36-93	Kit, Rear Baffle (Includes 3 Screws)
14	532 44 50-19	Handle Knob	44	532 18 41-93	Bolt, Rear Door	76	532 41 05-89	Baffle, Rear
15	532 05 17-93	Hairpin Cotter	45	532 15 04-06	Screw, Hex Head, Threaded, Rolled 3/8-16 x 1	77	817 41 13-12	Screw, Rear Baffle
18	817 60 04-06	Screw 1/4-20 x 3/8	46	532 40 47-63	Danger Decal	83	532 42 85-01	Baffle, Front
19	532 40 66-89	Axle Arm Assembly, Front, LH	47	532 75 11-53	Nut, Hex	84	817 00 05-10	Bolt, Hex Head, Rear Baffle
20	532 40 66-90	Axle Arm Assembly, Front, RH	48	532 41 06-01	Axle Arm Assembly, Rear, RH	--	532 40 47-64	Warning Decal (not shown)
21	532 41 86-55	Kit, Rear Skirt	49	532 43 67-10	Wheel & Tire Assembly, Rear	--	532 19 37-32	Operator's Manual, English
22	532 40 64-28	Selector Spring, Front	50	532 49 07-46	Grassbag	--	532 19 37-35	Operator's Manual, Spanish
23	532 41 06-03	Rear Door Assembly	51	532 14 72-86	Hinge Rod	--	532 44 57-31	Replacement Parts Manual
25	532 44 67-99	Handle Bracket Assembly, LH	52	532 44 20-11	Kit, Lawn Mower Housing (Includes Key Number 46)			
26	532 44 68-02	Handle Bracket Assembly, RH	53	532 18 17-12	Screw, Hex Head, Grade 8 3/8-24 x 1-3/8			
28	532 41 44-41	Wheel Adjusting Bracket, LH						
29	532 41 44-40	Wheel Adjusting Bracket, RH						

NOTE: All component dimensions given in U.S. inches. 1 inch = 25.4 mm.

IMPORTANT: Use only Original Equipment Manufacturer (O.E.M.) replacement parts. Failure to do so could be hazardous, damage your lawn mower and void your warranty.