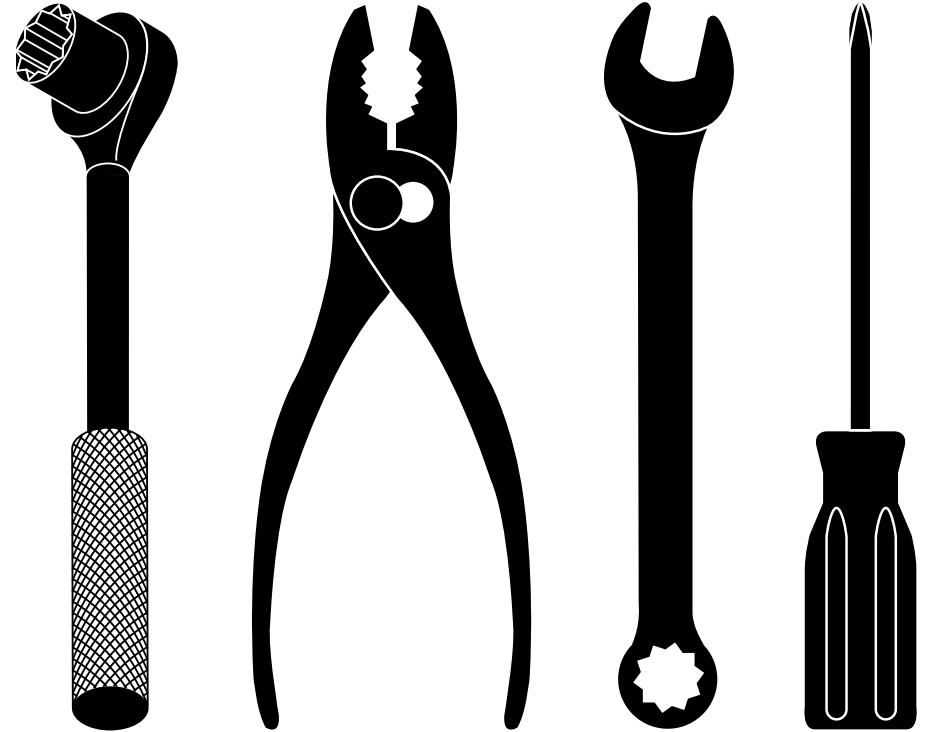


WEED EATER®

WEED EATER®



REPAIR PARTS MANUAL

MODEL NUMBER **30534377**
(MFG. ID. NUMBER 96138002901)

Rotary Lawn Mower

For Parts and Service or Technical Assistance, call 1-800-487-5951

MANUEL DES PIÈCES DE RECHANGE

NUMÉRO DE MODÈLE **30534377**
(NO. DE MFG. 96138002901)

Tondeuse à Gazon Rotative

Pour les pièces de rechange et l'entretien ou l'assistance technique,
appelez 1-800-487-5951

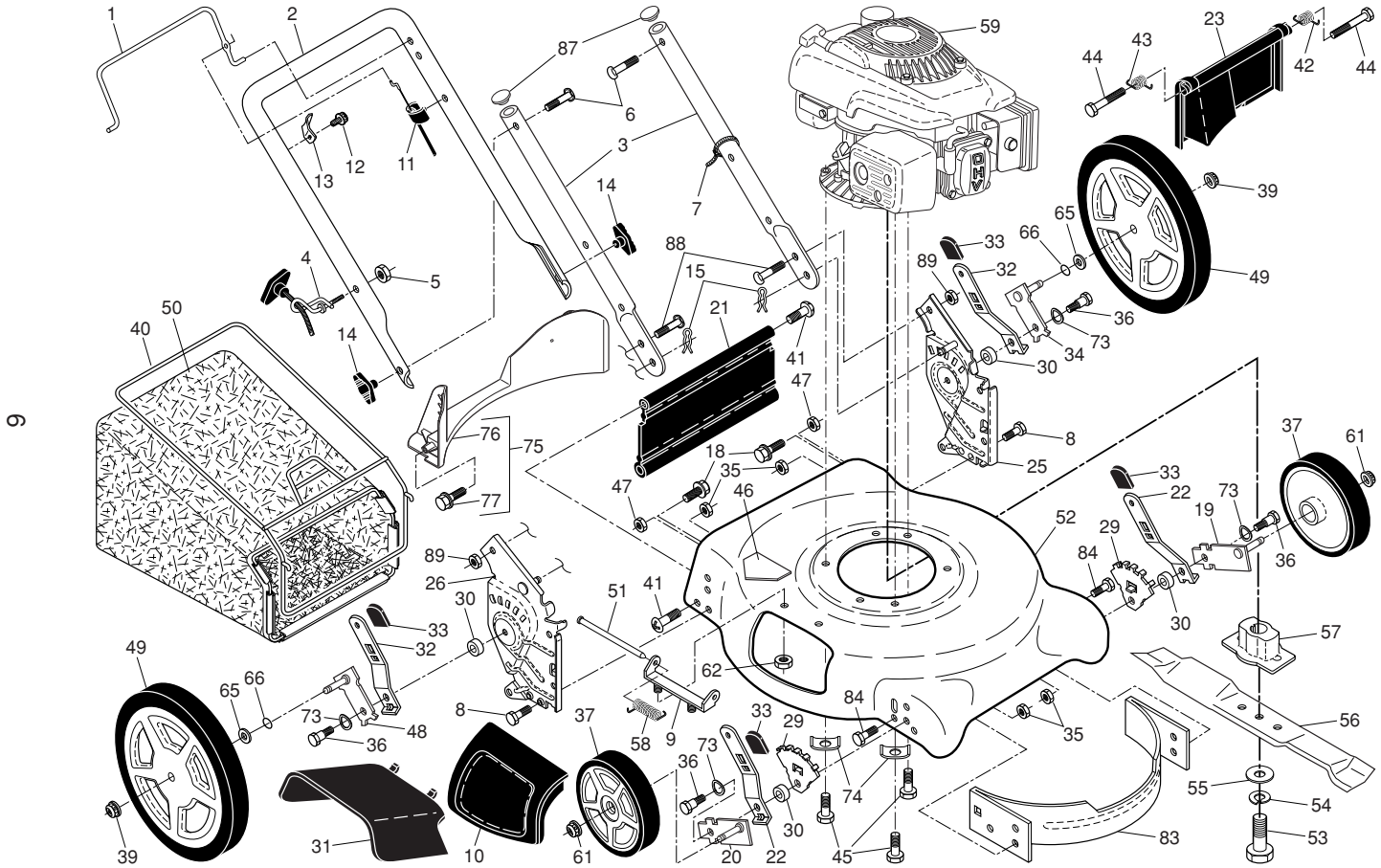
Gasoline containing up to 10% ethanol (E10) is acceptable for use in this machine.
The use of any gasoline exceeding 10% ethanol (E10) will void the product warranty.

Vous pouvez utiliser de l'essence contenant jusqu'à 10% d'éthanol (E10) avec cet appareil.
L'utilisation d'essence contenant plus de 10% d'éthanol annulera la garantie du produit.

584 47 19-27 01.30.13 BY

Printed in U.S.A.
Imprimé aux É.U.

TONDEUSE À GAZON ROTATIVE DE WEED EATER - NO. DE MODÈLE 30534377 (96138002901)



WEED EATER ROTARY LAWN MOWER - MODEL NUMBER 30534377 (MFG ID. NO. 96138002901)

KEY NO.	PART NO.	DESCRIPTION	KEY NO.	PART NO.	DESCRIPTION	KEY NO.	PART NO.	DESCRIPTION
1	532 19 60-25	Control Bar	31	532 16 57-60	Discharge Deflector	56	532 40 67-12	21" Blade
2	532 44 82-63	Upper Handle	32	532 44 15-59	Selector Spring, Rear	57	532 41 83-73	Blade Adapter
3	580 63 86-02	Bar, Lower Handle	33	532 08 78-77	Selector Knob	58	532 15 21-24	Hinge Spring
4	532 19 47-88	Rope Guide	34	532 41 06-00	Axle Arm Assy., Rear, LH	59	532 44 67-86	Engine, Rato, Model Number RV140-1 (For engine service and replacement parts, call HOP, Inc. at 1-800-487-5951)
5	532 13 20-04	Nut, Hex	35	532 42 65-89	Locknut, Hex 5/16-18	61	532 40 91-48	Flanged Locknut
6	532 19 15-74	Handle Bolt	36	532 40 16-38	Shoulder Bolt 5/16-18	62	873 80 04-00	Nut, Hex
7	532 06 64-26	Wire Tie	37	532 43 52-80	Wheel & Tire Assembly, Front, 7 x 1-3/4	65	532 08 83-48	Washer, Flat
8	874 78 05-12	Bolt, Hex Head 5/16-18 x 3/4	39	532 40 91-49	Nut, Hex	66	532 19 74-80	O-Ring
9	532 15 41-32	Hinge Bracket	40	532 41 19-49	Frame, Grassbag	73	532 40 16-30	Washer, Curved, Cylindrical
10	532 16 57-54	Mulcher Door	41	532 19 41-86	Screw, Hinge	74	532 12 50-78	Washer, Special, Engine
11	532 44 09-34	Engine Zone Control Cable	42	532 40 54-21	Spring, LH	75	532 41 36-93	Kit, Rear Baffle (Includes 3 Screws)
12	532 17 88-48	Hex Washer Head Screw #10-16 x 5/8	43	532 40 54-23	Spring, RH	76	532 41 05-89	Baffle, Rear
13	532 43 00-34	Up-Stop Bracket	44	532 18 41-93	Bolt, Rear Door	77	817 41 13-12	Screw, Rear Baffle
14	532 19 19-38	Handle Knob	45	532 15 04-06	Hex Head Thread Rolling Screw 3/8-16 x 1	83	532 42 85-01	Baffle, Front
15	532 05 17-93	Hairpin Cotter	46	532 40 47-63	Danger Decal	84	817 00 05-10	Screw, Hex Head 5/8-16
18	817 60 04-06	Screw	47	532 75 11-53	Nut, Hex	87	532 43 75-16	Plug, Handle Bar
19	532 40 66-89	Axle Arm Assembly, Front, LH	48	532 41 06-01	Axle Arm Assy., Rear, RH	88	872 25 05-05	Bolt, Carriage
20	532 40 66-90	Axle Arm Assembly, Front, RH	49	581 01 03-22	Wheel & Tire Assembly, Rear, 12 x 1-3/4	89	873 97 05-00	Locknut, Hex, Flanged
21	532 41 86-55	Kit, Rear Skirt	50	581 00 21-06	Grassbag	--	532 40 47-64	Warning Decal (not shown)
22	532 40 64-28	Selector Spring, Front	51	532 14 72-86	Hinge Rod	--	532 19 37-32	Operator's Manual, English
23	532 41 06-03	Rear Door Assembly	52	532 44 33-06	Kit, Housing (Includes #46)	--	532 19 37-34	Operator's Manual, French
25	580 91 56-02	Handle Bracket, LH	53	532 18 17-12	Screw, Hex Head, Grade 8 3/8-24 x 1-3/8	--	532 19 37-35	Operator's Manual, Spanish
26	580 91 57-02	Handle Bracket, RH	54	532 85 02-63	Helical Lockwasher	--	584 47 19-27	Repair Parts Manual, English / French
29	532 41 05-94	Wheel Adjusting Bracket	55	532 85 10-74	Hardened Washer			
30	532 40 16-29	Spacer						

NOTE: All component dimensions given in U.S. inches. 1 inch = 25.4 mm.

IMPORTANT: Use only Original Equipment Manufacturer (O.E.M.) replacement parts. Failure to do so could be hazardous, damage your lawn mower and void your warranty.