

## **REPAIR PARTS MANUAL**

MODEL NO. PO675Y21R (MFG. ID. NO. 96142001902)

**Rotary Lawn Mower**

## **MANUEL DES PIÈCES DE RECHANGE**

NO. DE MODÈLE PO675Y21R (NO. DE MFG. 96142001902)

**Tondeuse à Gazon Rotative**

For Parts and Service, contact our authorized distributor: call 1-800-849-1297

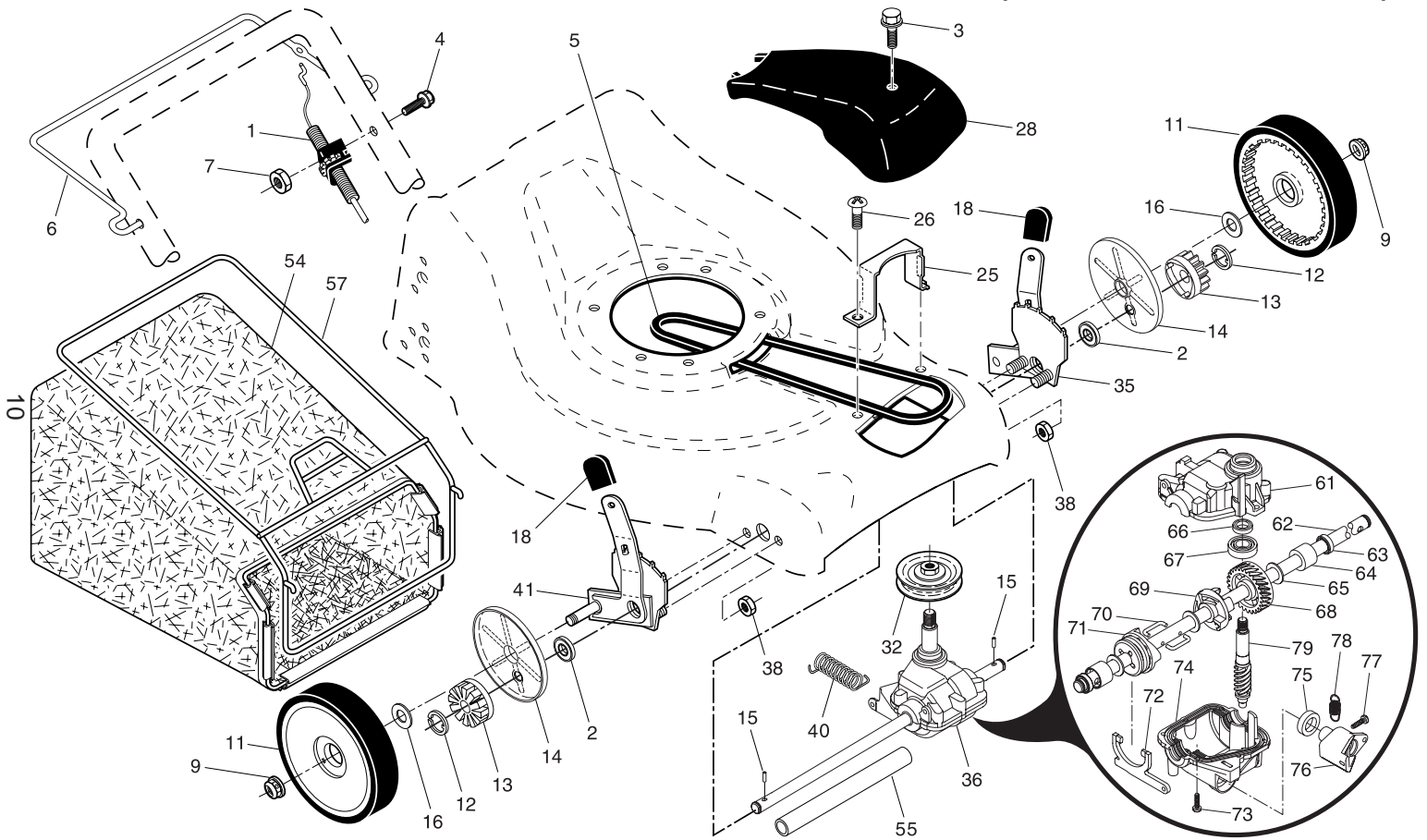
For Technical Assistance: call 1-800-829-5886

Pour les pièces de rechange et l'entretien, contactez notre concessionnaire autorisé:  
appelez 1-800-849-1297 / Pour l'assistance technique: appelez 1-800-829-5886

# **Poulan**

# **Poulan**

# TONDEUSE À GAZON ROTATIVE -- NO. DE MODÈLE **PO675Y21R** (NO. DE MFG. 96142001902)



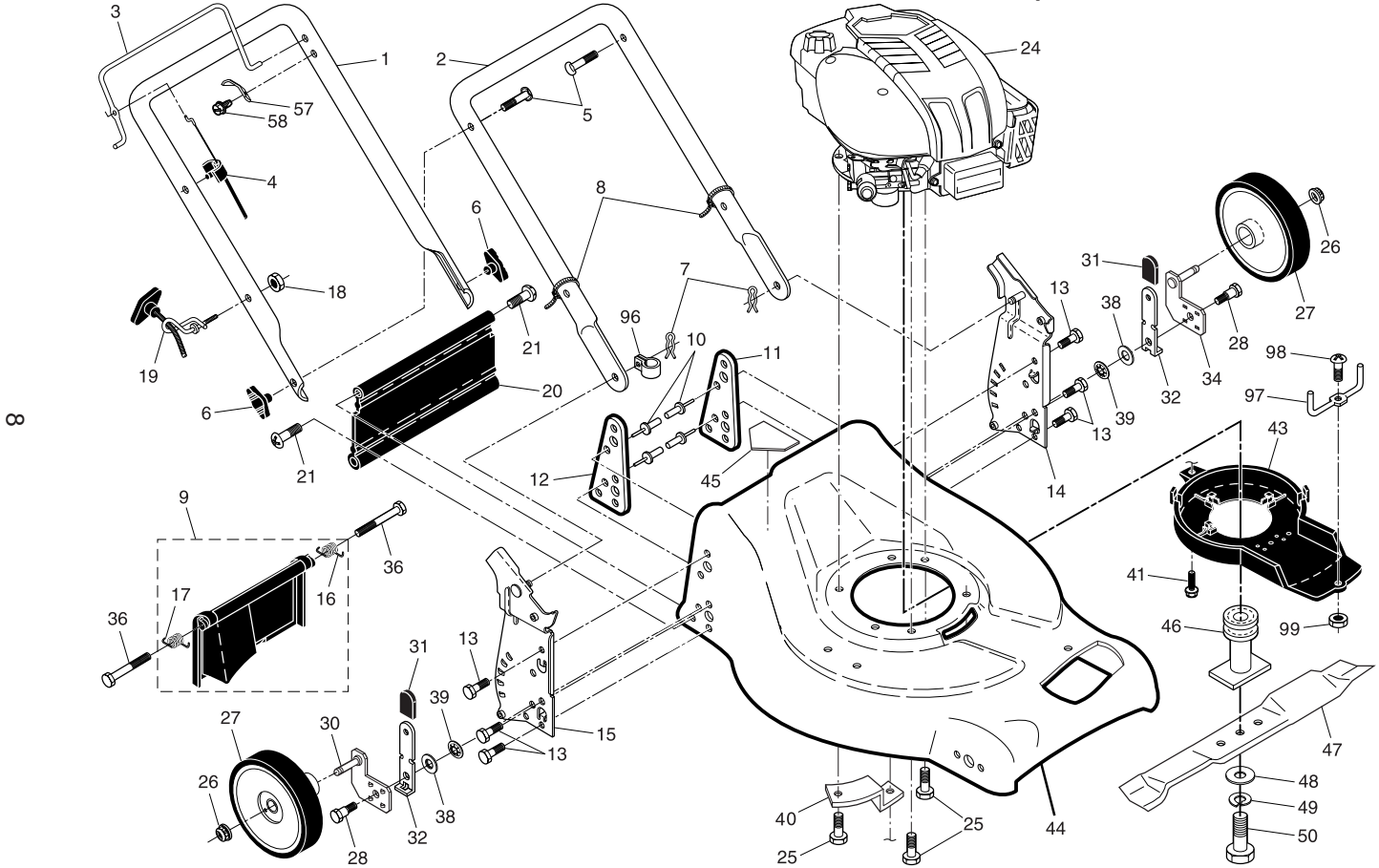
# ROTARY LAWN MOWER -- MODEL NUMBER **PO675Y21R** (MFG. ID. NUMBER 96142001902)

| KEY NO. | PART NO.      | DESCRIPTION   | KEY NO. | PART NO.      | DESCRIPTION   |
|---------|---------------|---|---------|---------------|---|
| 1       | 185508X479    | Upper Handle  | 30      | 189596X004    | Axle Arm Assembly, Rear, RH   |
| 2       | 151721X479    | Lower Handle  | 31      | 87877         | Selector Knob   |
| 3       | 182810        | Control Bar   | 32      | 175060X004    | Selector Spring   |
| 4       | 183567        | Engine Zone Control Cable   | 34      | 189597X004    | Axle Arm Assembly, Rear, LH   |
| 5       | 191574        | Handle Bolt   | 36      | 184193        | Bolt  |
| 6       | 189713X428    | Handle Knob   | 38      | 176185        | Washer, Step  |
| 7       | 51793         | Hairpin Cotter  | 39      | 176235        | Pushnut   |
| 8       | 66426         | Wire Tie  | 40      | 188839X004    | Mounting Bracket, Debris Shield                                     |
| 9       | 180479        | Kit, Rear Door (Includes Key #16 and 17)  | 41      | 192325        | Screw, Debris Shield  |
| 10      | 128415        | Pop Rivet   | 43      | <b>198910</b> | Debris Shield   |
| 11      | 175069X479    | Support Bracket, LH   | 44      | 190541        | Kit, Lawn Mower Housing<br>(Includes Key Numbers 10, 11, 12 and 45) |
| 12      | 175070X479    | Support Bracket, RH   | 45      | 107339X       | Danger Decal  |
| 13      | 17060410      | Screw 1/4-20 x 5/8  | 46      | 194037        | Blade Adapter / Pulley  |
| 14      | 175082X479    | Handle Bracket Assembly, LH   | 47      | 189028        | Blade, 21"  |
| 15      | 175081X479    | Handle Bracket Assembly, RH   | 48      | 851074        | Hardened Washer   |
| 16      | 180071        | Spring, Rear Door, LH   | 49      | 850263        | Helical Washer  |
| 17      | 180072        | Spring, Rear Door, RH   | 50      | 851084        | Hex Head Machine Screw 3/8-24 x 1-3/8 Grade 8                       |
| 18      | 132004        | Keeps Locknut 1/4-20  | 57      | 850733X004    | Upstop Bracket  |
| 19      | <b>194788</b> | Rope Guide  | 58      | 750634        | Screw   |
| 20      | 189005        | Rear Skirt  | 96      | 192770        | Clip, Cable   |
| 21      | 88652         | Hinge Screw 1/4-20 x 1-1/4  | 97      | <b>197162</b> | Belt Keeper   |
| 24      | ---           | Engine, Briggs & Stratton, Model Number 126602 (Order Parts from Engine Manufacturer) | 98      | <b>182227</b> | Screw, Machine #8   |
| 25      | 150406        | Screw, Hex Head, Thread Rolling 3/8-16 x 1-1/8  | 99      | <b>182228</b> | Nut, Hex #8   |
| 26      | 83923         | Hex Flange Nut  | --      | 162300        | Warning Decal (not shown)   |
| 27      | 193909X427    | Wheel & Tire Assembly   | --      | 193733        | Operator's Manual, English  |
| 28      | 189312        | Shoulder Bolt 5/16-18 x .33   | --      | 193736        | Operator's Manual, French   |
|         |               |   | --      | <b>199032</b> | Repair Parts Manual, English / French                               |

**NOTE:** All component dimensions given in U.S. inches. 1 inch = 25.4 mm.

**IMPORTANT:** Use only Original Equipment Manufacturer (O.E.M.) replacement parts. Failure to do so could be hazardous, damage your lawn mower and void your warranty.

# TONDEUSE À GAZON ROTATIVE -- NO. DE MODÈLE **PO675Y21R** (NO. DE MFG. 96142001902)



# ROTARY LAWN MOWER -- MODEL NUMBER **PO675Y21R** (MFG. ID. NUMBER 96142001902)

| KEY NO. | PART NO.          | DESCRIPTION   | KEY NO. | PART NO. | DESCRIPTION   |
|---------|-------------------|---|---------|----------|---|
| 1       | 193480            | Cable Assembly, Drive Control                       | 41      | 195107   | Kit, Wheel Adjuster, RH (Includes Knob and Bearing) |
| 2       | 191039            | Bearing, Wheel Adjuster                             | 54      | 197279   | Grassbag Assembly                                   |
| 3       | 175262            | Pan Head Tapping Screw #10-24 x 2-3/4               | 55      | 175739   | Driveshaft Cover                                    |
| 4       | 185681            | Screw, Hex Washer Head 1/4-20 x 1-3/4               | 57      | 194643   | Frame, Grassbag                                     |
| 5       | 194149            | V-Belt  | 61      | 196886   | Case, Upper   |
| 6       | 194185X428        | Control Bar, Drive                                  | 62      | 196885   | Shaft, Output                                       |
| 7       | 751152            | Nut, Hex, Flangelock 1/4-20                         | 63      | 183508   | Seal, Output Shaft                                  |
| 9       | 83923             | Locknut   | 64      | 183511   | Bushing   |
| 11      | 193912X427        | Wheel & Tire Assembly                               | 65      | 183509   | Washer  |
| 12      | 12000058          | E-Ring  | 66      | 183514   | Seal, Worm Shaft                                    |
| 13      | 750003            | Pinion  | 67      | 183506   | Bearing, Ball                                       |
| 14      | 189403            | Dust Cover  | 68      | 183499   | Gear, 27 Teeth                                      |
| 15      | 191017            | Pawl, Drive   | 69      | 196884   | Fixed Dog Clutch                                    |
| 16      | 67725             | Washer 1/2 x 1-1/2 x .134                           | 70      | 183505   | Wireform  |
| 18      | 87877             | Selector Knob                                       | 71      | 196883   | Movable Dog Clutch                                  |
| 25      | <b>198897X004</b> | Belt Keeper   | 72      | 196882   | Fork  |
| 26      | 150078            | Screw, Hex Head 5/16-18 x 3/4                       | 73      | 183513   | Screw, Case   |
| 28      | 181467            | Drive Cover   | 74      | 196881   | Case, Lower   |
| 32      | 194018            | Drive Pulley  | 75      | 196880   | Seal, Lever   |
| 35      | 195110            | Kit, Wheel Adjuster, LH (Includes Knob and Bearing) | 76      | 196879   | Lever   |
| 36      | 188296            | Gear Case Assembly, Complete                        | 77      | 196878   | Screw, Lever  |
| 38      | 73800400          | Locknut, Hex 1/4-20                                 | 78      | 196877   | Spring  |
| 40      | 192849            | Spring  | 79      | 183502   | Shaft, Worm   |

**NOTE:** All component dimensions given in U.S. inches. 1 inch = 25.4 mm.

**IMPORTANT:** Use only Original Equipment Manufacturer (O.E.M.) replacement parts. Failure to do so could be hazardous, damage your lawn mower and void your warranty.