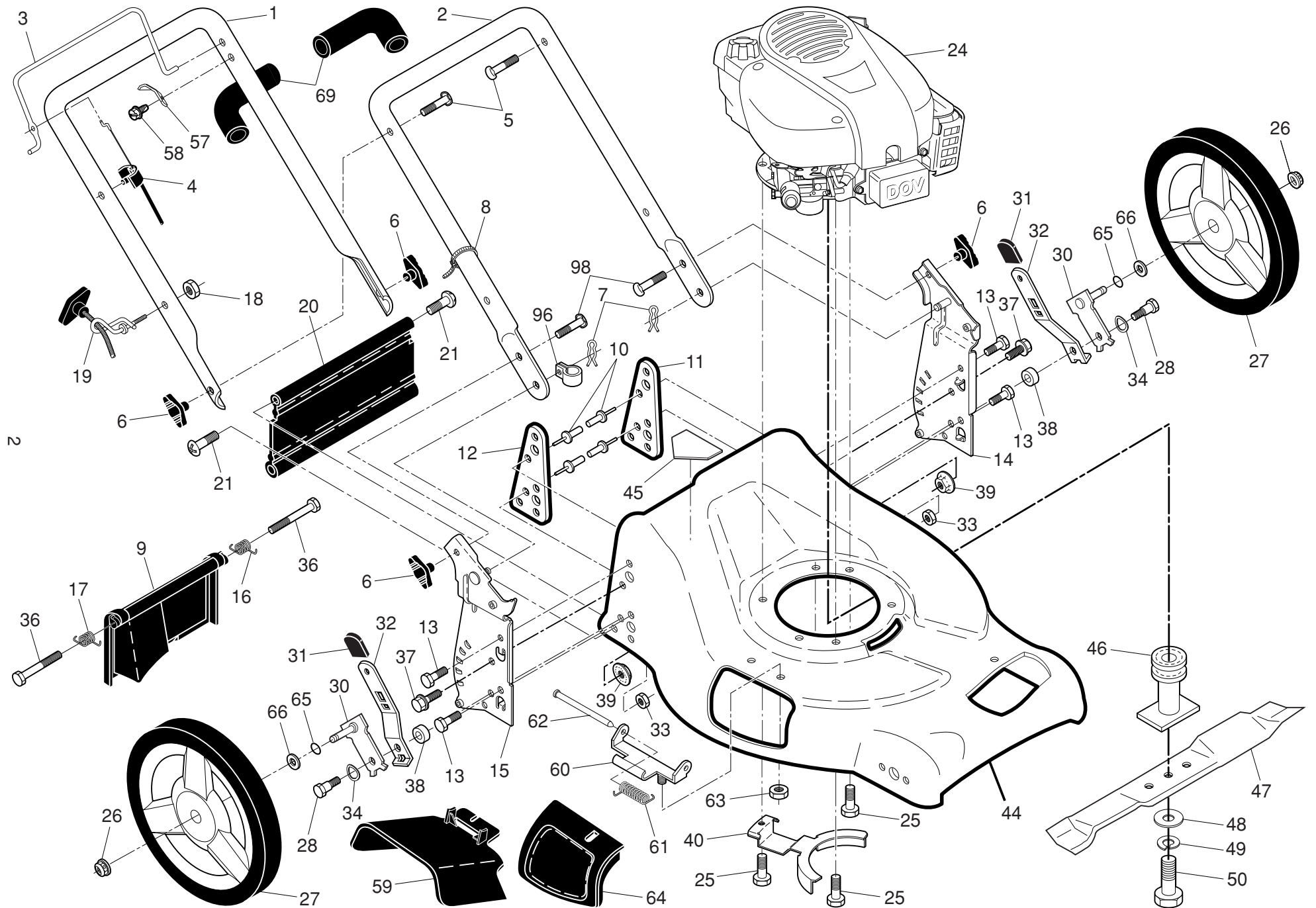


**ILLUSTRATED PARTS LIST**

**MODEL NUMBER 961430082**

**MFG. ID. NO. 96143008200**

# ROTARY LAWN MOWER - - MODEL NUMBER 961430082 (MFG. ID. NO. 96143008200)



## ROTARY LAWN MOWER - - MODEL NUMBER **961430082** (MFG. ID. NO. 96143008200)

| KEY<br>NO. | PART<br>NO.  | DESCRIPTION   | KEY<br>NO. | PART<br>NO.  | DESCRIPTION   |
|------------|--------------|---|------------|--------------|---|
| 1          | 532 42 76-58 | Upper Handle (Includes Foam Grip)   | 32         | 532 40 98-89 | Selector Spring   |
| 2          | 532 43 47-26 | Lower Handle  | 33         | 873 80 05-00 | Nut, Hex 5/16-18  |
| 3          | 532 42 79-70 | Control Bar   | 34         | 532 40 16-30 | Washer, Curved, Cyindrical  |
| 4          | 532 43 63-37 | Engine Zone Control Cable   | 36         | 532 18 41-93 | Bolt  |
| 5          | 532 19 15-74 | Handle Bolt   | 37         | 874 78 05-12 | Thread Cutting Screw w/Sems 5/16-18 x 3/4                           |
| 6          | 532 19 19-38 | Handle Knob   | 38         | 532 40 16-29 | Spacer  |
| 7          | 532 05 17-93 | Hairpin Cotter  | 39         | 532 15 53-77 | Nut, Hex, Flangelock 5/16-18  |
| 8          | 532 06 64-26 | Wire Tie  | 40         | 532 43 50-59 | Belt Keeper   |
| 9          | 532 40 69-85 | Rear Door Assembly  | 44         | 532 41 78-07 | Kit, Lawn Mower Housing<br>(Includes Key Numbers 10, 11, 12 and 45) |
| 10         | 532 12 84-15 | Pop Rivet   | 45         | 532 40 47-63 | Danger Decal  |
| 11         | 532 41 05-40 | Support Bracket, LH   | 46         | 532 42 12-48 | Blade Adapter / Pulley  |
| 12         | 532 41 05-42 | Support Bracket, RH   | 47         | 532 40 67-12 | Blade, 21"  |
| 13         | 817 06 04-10 | Screw 1/4-20 x 5/8  | 48         | 532 85 10-74 | Hardened Washer   |
| 14         | 532 43 45-50 | Handle Bracket Assembly, LH   | 49         | 532 85 02-63 | Helical Washer  |
| 15         | 532 43 45-49 | Handle Bracket Assembly, RH   | 50         | 532 85 10-84 | Hex Head Machine Screw 3/8-24 x 1-3/8 Grade 8                       |
| 16         | 532 40 54-17 | Spring, Rear Door, LH   | 57         | 532 12 51-62 | Upstop Bracket  |
| 17         | 532 40 54-18 | Spring, Rear Door, RH   | 58         | 532 75 06-34 | Screw   |
| 18         | 532 13 20-04 | Keps Locknut 1/4-20   | 59         | 532 18 55-82 | Discharge Deflector   |
| 19         | 532 19 47-88 | Rope Guide  | 60         | 532 17 57-35 | Hinge Bracket   |
| 20         | 532 41 31-59 | Rear Skirt  | 61         | 532 19 30-00 | Spring  |
| 21         | 532 08 86-52 | Screw, Hinge 1/4-20 x 1/2   | 62         | 532 17 56-50 | Hinge Rod   |
| 24         | - - -        | Engine, Briggs & Stratton, Model Number 100602-2144-B8 (For engine service and replacement parts, call Briggs & Stratton at 1-800-233-3723) | 63         | 873 80 04-00 | Nut, Hex  |
| 25         | 532 15 04-06 | Hex Head Thread Rolling Screw 3/8-16 x 1-1/8  | 64         | 532 18 55-76 | Mulcher Door  |
| 26         | 532 40 91-49 | Hex Flange Nut  | 65         | 532 19 74-80 | O-Ring  |
| 27         | 532 41 08-15 | Wheel & Tire Assembly, Rear, 12"  | 66         | 532 08 83-48 | Washer, Flat 1/2  |
| 28         | 532 40 16-38 | Shoulder Bolt 5/16-18 x .33   | 69         | 532 18 27-48 | Grip, Foam  |
| 30         | 532 41 31-41 | Axle Arm Assembly, Rear   | 96         | 532 19 79-91 | Clip, Cable   |
| 31         | 532 70 10-37 | Selector Knob   | 98         | 872 25 05-05 | Bolt, Carriage  |
|            |              |   | --         | 532 40 47-64 | Decal, Warning (not shown)  |
|            |              |   | --         | 532 44 28-60 | Operator's Manual, English / French                                 |

**NOTE:** All component dimensions given in U.S. inches. 1 inch = 25.4 mm. **IMPORTANT:** Use only Original Equipment Manufacturer (O.E.M.) replacement parts. Failure to do so could be hazardous, damage your lawn mower and void your warranty.



# ROTARY LAWN MOWER - - MODEL NUMBER **961430082** (MFG. ID. NO. 96143008200)

| KEY<br>NO. | PART<br>NO.  | DESCRIPTION                      | KEY<br>NO. | PART<br>NO.  | DESCRIPTION  |
|------------|--------------|----------------------------------|------------|--------------|--|
| 1          | 532 42 55-80 | Drive Control Assembly           | 27         | 532 17 52-62 | Screw  |
| 6          | 532 18 16-98 | Screw                            | 28         | 532 43 62-47 | Cover, Drive   |
| 7          | 532 40 07-23 | Mounting Bracket, Drive Control  | 29         | 532 19 41-49 | V-Belt   |
| 8          | 532 40 62-59 | Cable, Drive                     | 32         | 532 19 40-18 | Drive Pulley   |
| 11         | 532 41 10-81 | Wheel & Tire Assembly            | 33         | 532 40 91-48 | Locknut, Hex   |
| 12         | 812 00 00-58 | E-Ring                           | 35         | 532 43 84-85 | Kit, Wheel Adjuster, LH<br>(Includes Knob and Bearing) |
| 13         | 532 40 38-49 | Pinion                           | 36         | 532 40 48-33 | Gearcase Assembly, Complete                            |
| 14         | 532 18 94-03 | Dust Cover                       | 38         | 873 80 04-00 | Locknut, Hex 1/4-20                                    |
| 15         | 532 40 48-45 | Pawl, Drive                      | 40         | 532 40 65-58 | Spring   |
| 16         | 532 06 77-25 | Washer 1/2 x 1-1/2 x .134        | 41         | 532 43 84-86 | Kit, Wheel Adjuster, RH<br>(Includes Knob and Bearing) |
| 17         | 532 42 18-36 | Bearing Assembly, Wheel Adjuster | 54         | 532 40 11-90 | Grassbag Assembly                                      |
| 18         | 532 70 10-37 | Selector Knob                    | 57         | 532 41 19-50 | Frame, Grassbag  |
| 25         | 532 41 16-63 | Belt Keeper                      |            |              |  |
| 26         | 532 16 34-09 | Screw, Hi-Lo Thread              |            |              |  |

**NOTE:** All component dimensions given in U.S. inches. 1 inch = 25.4 mm. **IMPORTANT:** Use only Original Equipment Manufacturer (O.E.M.) replacement parts. Failure to do so could be hazardous, damage your lawn mower and void your warranty.