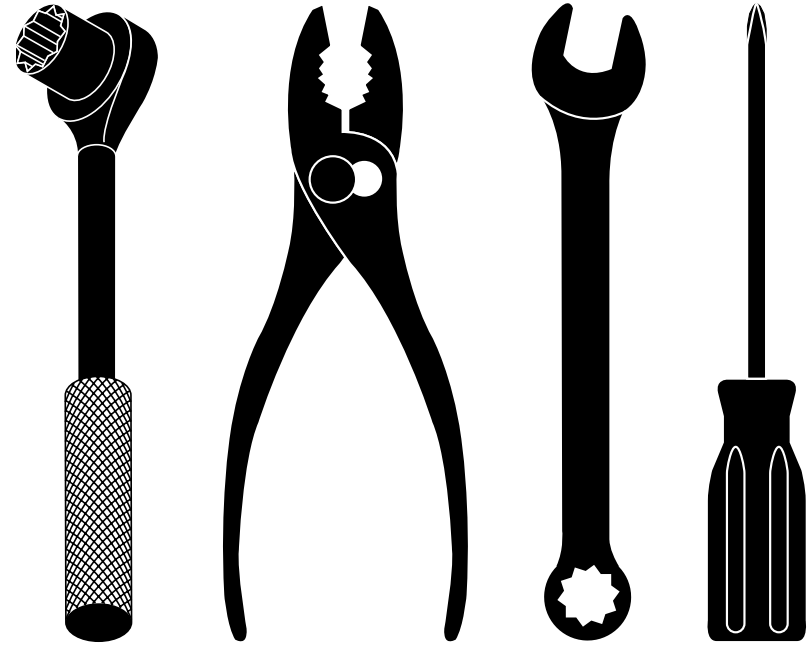


Engine Power Rating Information

The gross power rating for individual gas engine models is labeled in accordance with SAE (Society of Automotive Engineers) code J11940 (Small Engine Power & Torque Rating Procedure), and rating performance has been obtained and corrected in accordance with SAE J1995 (Revision 2002-5). Actual gross engine power will be lower and is affected by, among other things, ambient operating conditions and engine-to-engine variability. Given both the wide array of products on which engines are placed and the variety of environmental issues applicable to operating the equipment, the gas engine will not develop the rated gross power when used in a given piece of power equipment (actual "on-site" or net horsepower). This difference is due to a variety of factors including, but not limited to, accessories (air cleaner, exhaust, charging, cooling, carburetor, fuel pump, etc.), application limitations, ambient operating conditions (temperature, humidity, altitude), and engine-to-engine variability. Due to manufacturing and capacity limitations, Briggs & Stratton may substitute an engine of higher rated power for this Series engine.

L'Information de Classement de Pouvoir de Moteur

Le pouvoir brut évaluant pour les modèles de moteur de gaz individuels est conformément étiqueté à SAE (la Société d'Ingénieurs Automoteurs) le code J11940 (le Petit Pouvoir de Moteur & le Moment de torsion Evaluant la Procédure), et l'exécution de classement a été obtenue et a été corrigée conformément à SAE J1995 (la Révision 2002-5). Le véritable pouvoir de moteur brut sera plus bas et est affecté par, entre autres choses, les conditions d'opération ambiants et le moteur-à-la variabilité de moteur. Donné les deux le tableau large de produits sur lesquels moteurs est placé et la variété de problèmes écologiques applicables à l'opération de l'équipement, le moteur de gaz ne développera pas le pouvoir de grosse évalué quand utilisé dans un morceau donné d'équipement de pouvoir (la puissance véritable, "sur place" ou nette). Cette différence est en raison d'une assortiment de facteurs inclut, mais pas limité à, les accessoires (le nettoyeur d'air, l'échappement, charger, le refroidissement, le carburateur, la pompe de carburant, etc.), les limitations d'application, les conditions d'opération ambiantes (la température, l'humidité, l'altitude), et le moteur-à-la variabilité de moteur. En raison des limitations de fabrication et capacité, Briggs & Stratton peut substituer un moteur de plus haut pouvoir évalué pour ce moteur de Feuilletton.



REPAIR PARTS MANUAL
MODEL NUMBER **961470011**
(MFG. ID. NO. 96147001100)
Rotary Lawn Mower

MANUEL DES PIÈCES DE RECHANGE
NO. DE MODÈLE **961470011**
(NO. DE MFG. 96147001100)
Tondeuse à Gazon Rotative

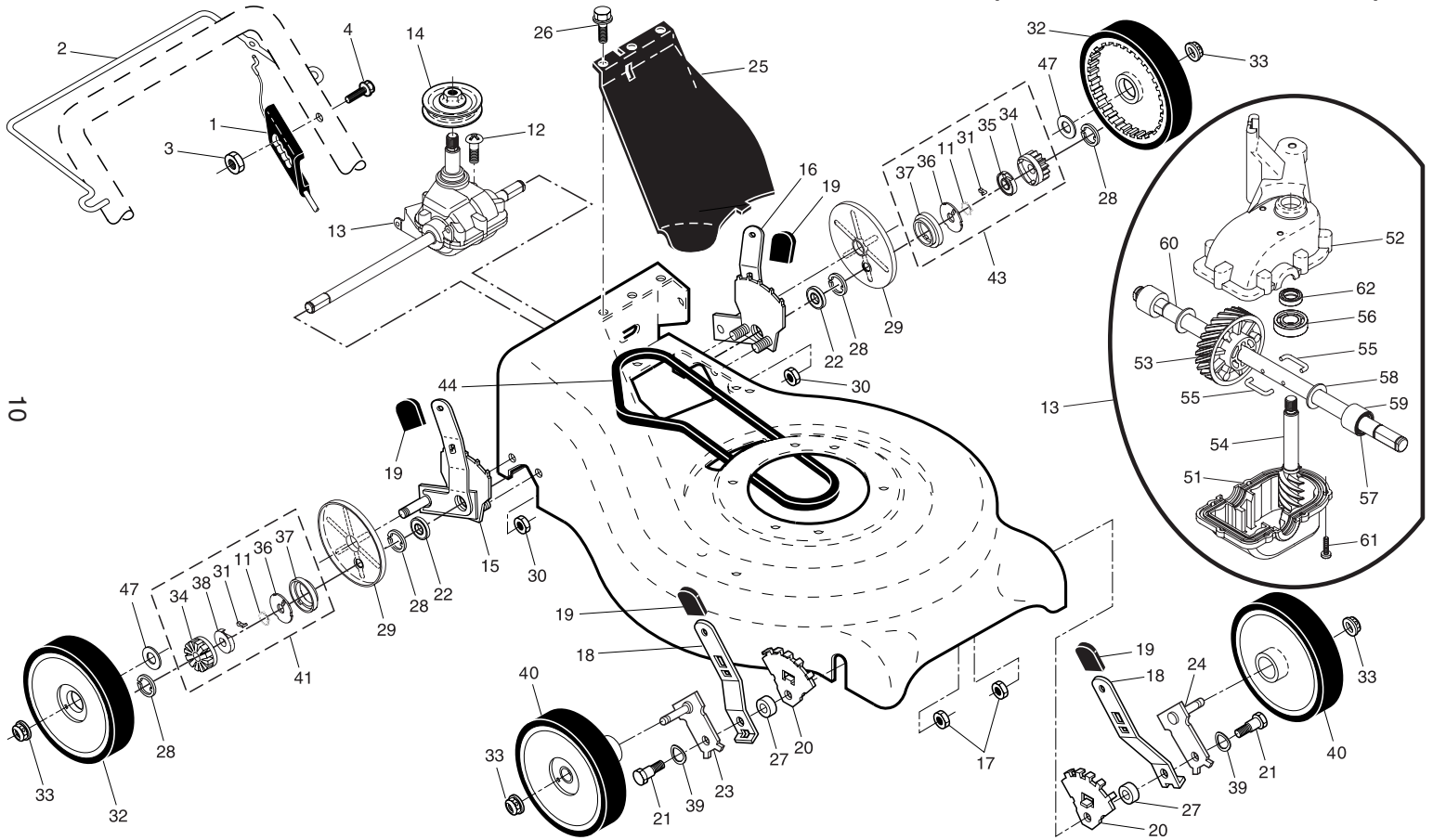
For Parts and Service, contact our authorized distributor: call 1-800-661-6662

Pour les pièces de rechange et l'entretien,
contactez notre concessionnaire autorisé: appelez 1-800-661-6662

YARD KING
PERFORMANCE

YARD KING
PERFORMANCE

TONDEUSE À GAZON ROTATIVE - NO. DE MODÈLE 961470011 (NO. DE MFG. 96147001100)



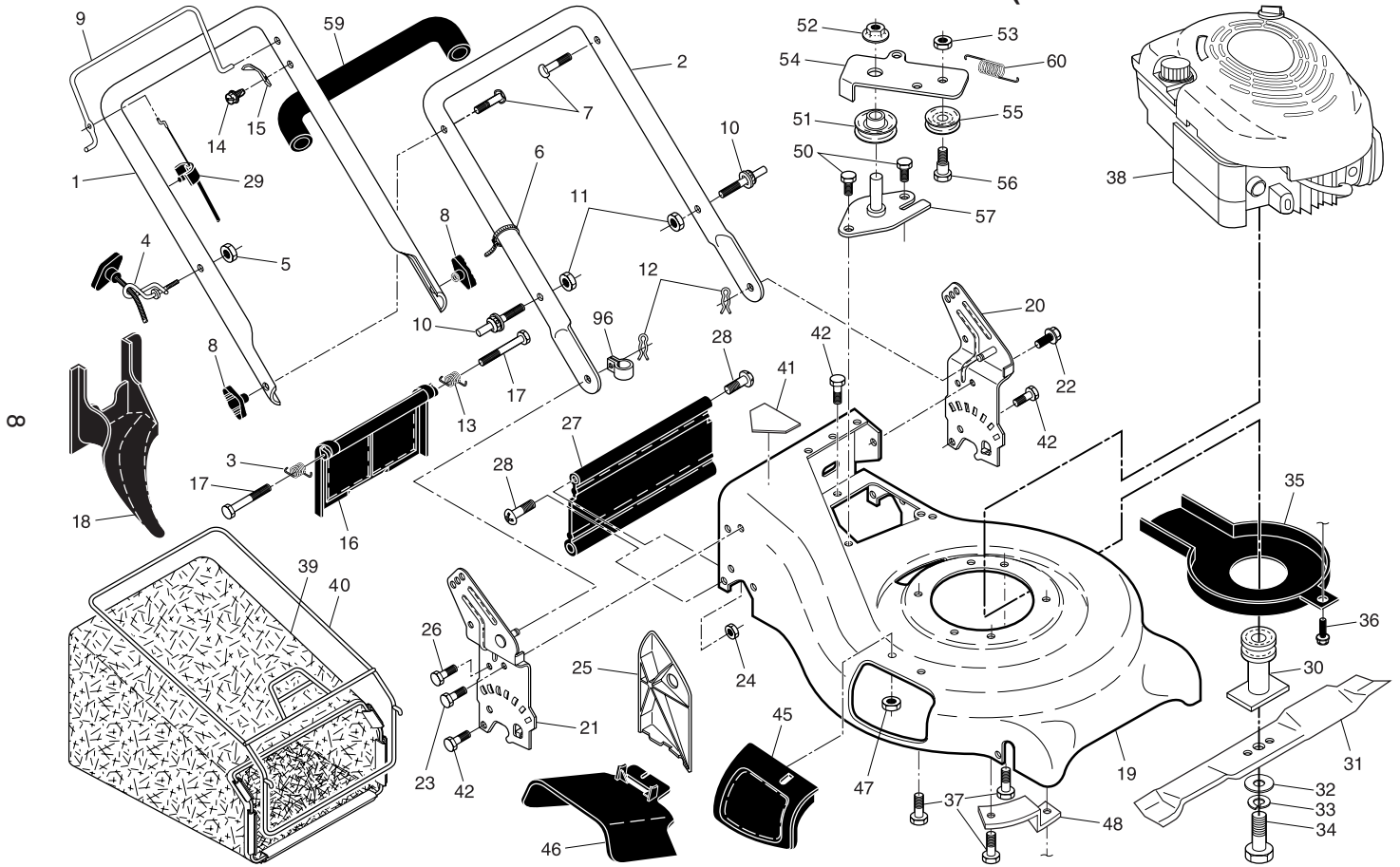
ROTARY LAWN MOWER - - MODEL NUMBER 961470011 (MFG. ID. NUMBER 96147001100)

KEY NO.	PART NO.	DESCRIPTION	KEY NO.	PART NO.	DESCRIPTION	KEY NO.	PART NO.	DESCRIPTION
1	403196	Handle, Upper	23	163183	Bolt, Hex Head	40	407453	Frame, Grassbag
2	193664X479	Handle, Lower	24	73800500	5/16-18 x 5/8	41	404763	Danger Decal
3	405416	Spring, Rear Door, RH	25	161333	Nut, Hex, with Lockwasher	42	54583	Screw
4	194788	Rope Guide	26	163409	Insert 5/16-18	45	183058X428	Mulcher Door Assembly
5	132004	Nut, Hex, with Lockwasher	27	192876	Baffle, Side	46	169699X428	Discharge Guard
6	66426	Wire, Tie	28	88652	Screw #12 x 5/8	47	88349	Nut, Hex
7	191574	Bolt, Handle 5/16-18 x 2-5/8	29	191221	Skirt, Rear	48	188839X004	Mounting Bracket, Debris Shield
8	189713X428	Knob, Handle	30	189179	Cable, Engine Zone Control	50	57808	Screw
9	194199X428	Control Bar	31	406712	Blade Adapter / Pulley	51	193791	Pulley, Idler
10	188821	Bolt, Carriage	32	851074	Blade, 21"	52	145212	Flanged Nut
11	751153	Locknut, Hex 5/16-18	33	850263	Washer	53	155552	Locknut
12	51793	Cotter, Hairpin	34	851084	Washer, Lock	54	193792X004	Idler Arm
13	405415	Spring, Rear Door, LH	35	188786	Bolt, Hex Head	55	166043	Idler Pulley
14	750634	Screw	36	192325	Debris Shield	56	160829	Shoulder Bolt
15	850733X004	Bracket, Upstop	37	150406	Bolt	57	193315	Bracket Assembly
16	401815X428	Rear Door Assembly	38	---	Bolt, Engine	59	186362	Grip, Foam
17	184193	Bolt, Rear Door	39	410684	Engine, Briggs & Stratton, Model Number 126T02 (For engine service and replacement parts, call Briggs & Stratton at 1-800-233-3723)	60	182226	Spring, Return
18	198170	Plug, Mulcher			Grassbag	96	197991	Clip, Cable
19	411727	Kit, Lawn Mower Housing (Includes Key Number 41)				--	404764	Warning Decal (not shown)
20	192980X479	Handle Bracket, LH				--	193733	Operator's Manual, English
21	192979X479	Handle Bracket, RH				--	193736	Operator's Manual, French
22	150078	Screw, Hex Washer Head				--	411729	Repair Parts Manual, English / French

NOTE: All component dimensions given in U.S. inches. 1 inch = 25.4 mm.

IMPORTANT: Use only Original Equipment Manufacturer (O.E.M.) replacement parts. Failure to do so could be hazardous, damage your lawn mower and void your warranty.

TONDEUSE À GAZON ROTATIVE - NO. DE MODÈLE 961470011 (NO. DE MFG. 96147001100)



ROTARY LAWN MOWER - - MODEL NUMBER 961470011 (MFG. ID. NUMBER 96147001100)

KEY NO.	PART NO.	DESCRIPTION
1	400162	Drive Control Assembly (Includes Cable)
2	194185X428	Control Bar, Drive
3	191730	Nut, Hex 1/4-20
4	199687	Screw
11	188291	Spring, Torsion
12	187653	Screw
13	193354	Gear Case Assembly, Complete
14	193443	Pulley, Drive
15	410292	Kit, Wheel Adjuster Assembly, RH (Includes Knob and Bearing)
16	410291	Kit, Wheel Adjuster Assembly, LH (Includes Knob and Bearing)
17	166785	Nut, Hex
18	401621X004	Spring, Selector
19	87877	Knob, Selector Spring
20	407494X005	Bracket, Wheel Adjusting
21	401638	Bolt, Shoulder, Hex Head
22	169911	Bearing, Ball
23	401175X004	Axle Arm Assembly, RH
24	401174X004	Axle Arm Assembly, LH
25	199775X428	Cover Drive
26	750634	Screw, Threaded, Rolled #10-25 x .50
27	401629	Spacer
28	12000058	E-Ring 7/16
29	189403	Cover, Dust, Wheel
30	73800400	Nut, Hex
31	175098	Pawl

KEY NO.	PART NO.	DESCRIPTION
32	193912X421	Wheel & Tire Assembly, Rear 8 x 1-3/4
33	83923	Nut, Flangelock 3/8-16
34	175103	Gear
35	175105	Retainer, Drive, LH
36	175104	Disc, Drive
37	184172	Seal, Friction
38	175102	Retainer, Drive, RH
39	401630	Washer, Curved, Cylindrical
40	400247X427	Wheel & Tire Assembly, Front 8 x 1-3/4
41	188330	Pinion Assembly, RH
43	188331	Pinion Assembly, LH
44	183688	V-Belt
47	67725	Washer
51	187530	* Case, Lower
52	187531	* Case, Upper
53	187532	Gear, 24 Teeth
54	187533	Shaft, Input
55	183505	Wire, Formed
56	183506	Bearing, Ball
57	183508	Seal, Output Shaft
58	183509	Washer
59	183511	Bushing
60	197385	Shaft, Output
61	183513	Screw
62	183514	Seal, Input Shaft

* Use Dow Corning #709 to reseal Gear Case Halves.

NOTE: All component dimensions given in U.S. inches. 1 inch = 25.4 mm.

IMPORTANT: Use only Original Equipment Manufacturer (O.E.M.) replacement parts. Failure to do so could be hazardous, damage your lawn mower and void your warranty.