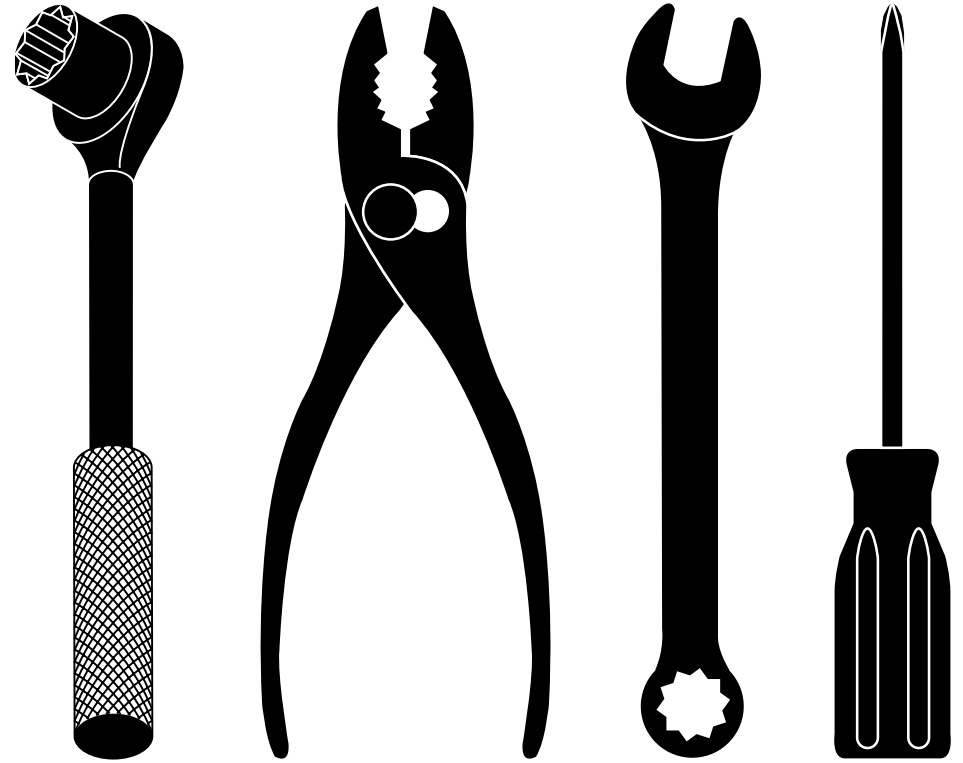


***yardpro***

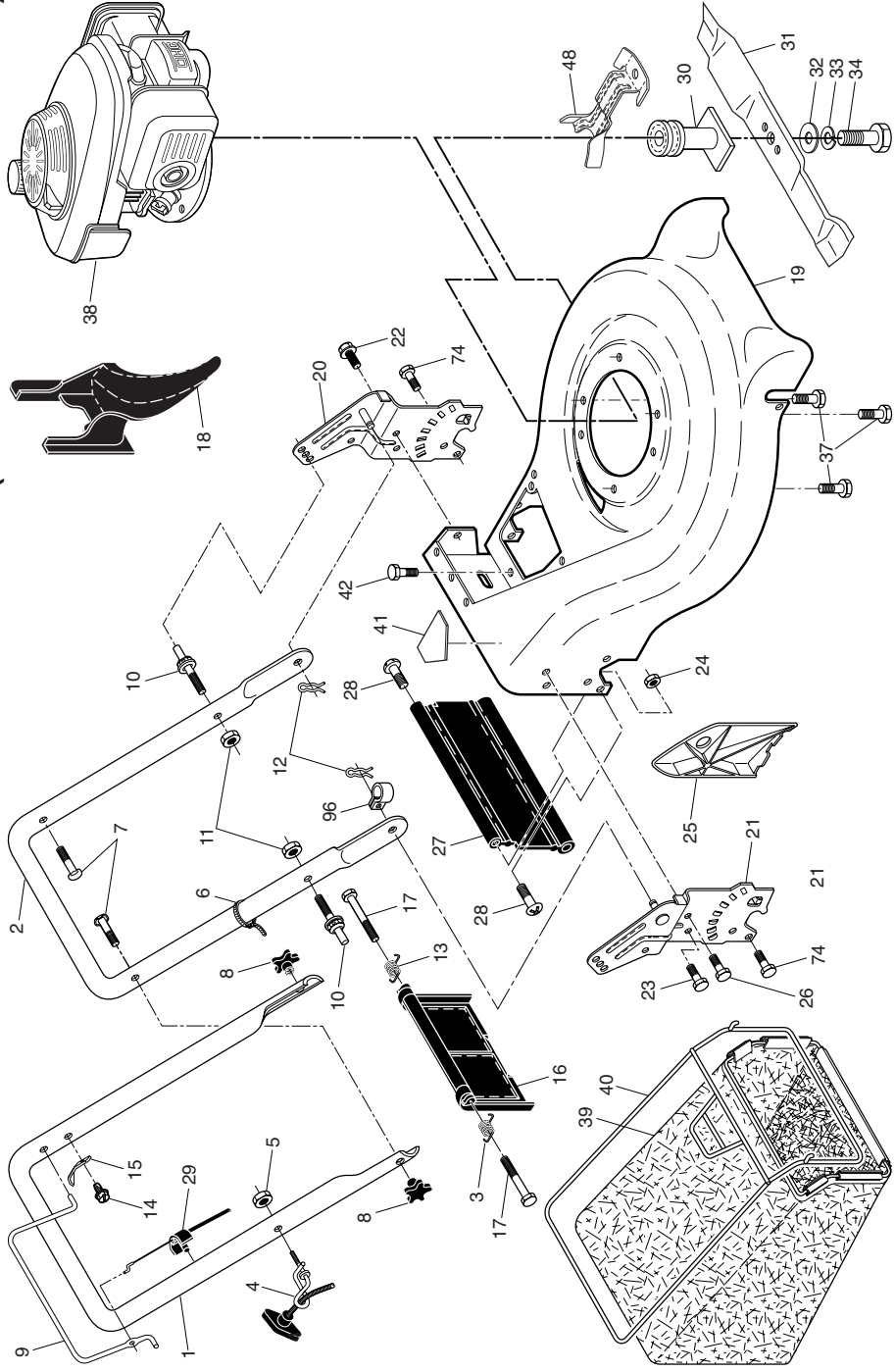


**REPAIR PARTS MANUAL  
MODEL NO. Y160Y21R  
MFG. ID. NO. 96148001900  
Rotary Lawn Mower**

---

***yardpro***

**ROTARY LAWN MOWER -- MODEL NUMBER Y160Y21R (MFG. ID. NUMBER 96148001900)**



**SERVICE NOTES**

## LIMITED WARRANTY

The Manufacturer warrants to the original consumer purchaser that this product as manufactured is free from defects in materials and workmanship. For a period of two (2) years from date of purchase by the original consumer purchaser, we will repair or replace, at our option, without charge for parts or labor incurred in replacing parts, any part which we find to be defective due to materials or workmanship. This Warranty is subject to the following limitations and exclusions.

1. This warranty does not apply to the engine, transaxle/transmission components, battery (except as noted below) or components parts thereof. Please refer to the applicable manufacturer's warranty on these items.
2. Transportation charges for the movement of any power equipment unit or attachment are the responsibility of the purchaser. Transportation charges for any parts submitted for replacement under this warranty must be paid by the purchaser unless such return is requested by the manufacturer.
3. Battery Warranty: On products equipped with a Battery, we will replace, without charge to you, any battery which we find to be defective in manufacture, during the first ninety (90) days of ownership. After ninety (90) days, we will exchange the Battery, charging you 1/12 of the price of a new Battery for each full month from the date of the original sale. Battery must be maintained in accordance with the instructions furnished.
4. The Warranty period for any products used for rental or commercial purposes is limited to 45 days from the date of original purchase.
5. This Warranty applies only to products which have been properly assembled, adjusted, operated, and maintained in accordance with the instructions furnished. This Warranty does not apply to any product which has been subjected to alteration, misuse, abuse, improper assembly or installation, delivery damage, or to normal wear of the product.
6. Exclusions: Excluded from this Warranty are belts, blades, blade adapters, normal wear, normal adjustments, standard hardware and normal maintenance.
7. In the event you have a claim under this Warranty, you must return the product to an authorized service dealer.

Should you have any unanswered questions concerning this Warranty, contact:

HOP  
Customer Service Department  
1030 Stevens Creek Road  
Augusta, GA 30907 USA

In Canada contact:  
HOP  
Customer Service Department  
5855 Terry Fox Way  
Mississauga, Ontario L5V 3E4

giving the model number, serial number and date of purchase of your product and the name and address of the authorized dealer from whom it was purchased.

**THIS WARRANTY DOES NOT APPLY TO INCIDENTAL OR CONSEQUENTIAL DAMAGES AND ANY IMPLIED WARRANTIES ARE LIMITED TO THE SAME TIME PERIODS STATED HEREIN FOR OUR EXPRESSED WARRANTIES.**

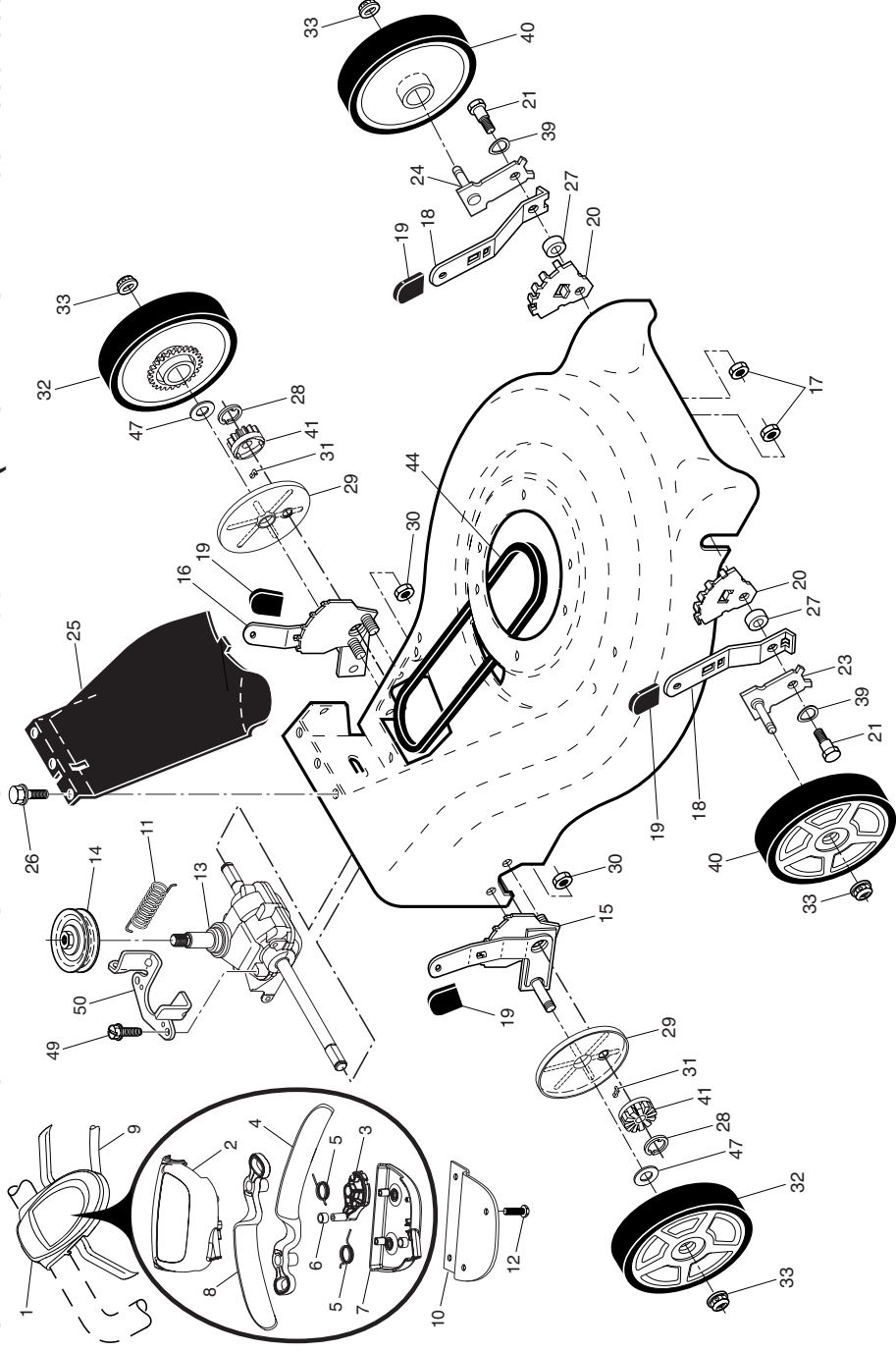
Some areas do not allow the limitation of consequential damages or limitations of how long an implied Warranty may last, so the above limitations or exclusions may not apply to you. This Warranty gives you specific legal rights, and you may have other rights which vary from locale to locale.

This is a limited Warranty within the meaning of that term as defined in the Magnuson-Moss Act of 1975.

## ROTARY LAWN MOWER -- MODEL NUMBER Y160Y21R (MFG. ID. NUMBER 96148001900)

KEY NO.	PART NO.	DESCRIPTION	KEY NO.	PART NO.	DESCRIPTION
1	427618X479	Handle, Upper	24	73800500	Nut, Hex, with Lockwasher Insert 5/16-18
2	193664X479	Handle, Lower	25	161333	Baffle, Side
3	405416	Spring, Rear Door, RH	26	163409	Screw, Hi-Lo Thread #12 x 5/8
4	194788	Rope Guide	27	408442	Rear Skirt
5	132004	Nut, Hex, with Lockwasher Insert 1/4-20	28	88652	Screw, Hinge
6	66426	Wire, Tie	29	191221	Cable, Operator Presence
7	191574	Bolt, Handle 5/16-18 x 2-5/8	30	421176	Blade Adapter / Pulley
8	182398	Knob, Handle	31	406712	Blade, 21"
9	427415X428	Control Bar	32	851074	Washer
10	188821	Pin, Handle	33	850263	Washer, Lock
11	751153	Nut, Hex, Flanged	34	851084	Bolt, Hex Head
12	51793	Cotter, Hairpin	37	150406	Bolt, Engine
13	405415	Spring, Rear Door, LH	38	---	Engine, Honda, Model No. GCV160-LAS3A
14	750634	Screw			(For engine service and replacement parts, call Honda Engines at 1-800-426-7701)
15	850733X004	Bracket, Upstop	39	434573	Grassbag
16	401815X428	Rear Door Assembly	40	411951	Frame, Grassbag
17	184193	Bolt, Rear Door	41	404763	Danger Decal
18	198170	Plug, Mulcher	48	422044X004	Belt Keeper
19	434611	Kit, Housing	74	17060410	Screw 1/4-20 x 5/8
20	192980X479	Handle Bracket Assembly, LH	96	197991	Clip, Cable
21	192979X479	Handle Bracket Assembly, RH	--	193733	Operator's Manual, English
22	428867	Screw, Hex Washer Head	--	193736	Operator's Manual, French
23	163183	Bolt, Hex Head 5/16-18 x 5/8	--	434588	Repair Parts Manual

**ROTARY LAWN MOWER -- MODEL NUMBER Y160Y21R (MFG. ID. NUMBER 96148001900)**



**ROTARY LAWN MOWER -- MODEL NUMBER Y160Y21R (MFG. ID. NUMBER 96148001900)**

KEY NO.	PART NO.	DESCRIPTION	KEY NO.	PART NO.	DESCRIPTION
1	434605	Drive Control Assembly (Includes Cable)	20	407494X005	Bracket, Wheel Adjusting
2	431639	Cover, Top	21	401638	Bolt, Shoulder, Hex Head
3	432286	Cam	22	191039	Bearing, Ball
4	431646X428	Lever, Drive Control, LH	23	401175X004	Axle Arm Assembly, RH
5	420381	Spring	24	401174X004	Axle Arm Assembly, LH
6	432273	Bushing	25	199775X428	Cover Drive
7	431644X428	Cover, Bottom	26	750634	Screw, Threaded, Rolled #10-25 x .50
8	420380X428	Lever, Drive Control, RH	27	401629	Spacer
9	431655	Cable, Drive	28	12000058	E-Ring 7/16
10	429544X479	Mounting Bracket, Drive Control	29	189403	Cover, Dust, Wheel
11	406558	Spring, Return	30	73800400	Nut, Hex
12	181698	Gear Case Assembly, Complete	31	404845	Pawl, Drive
13	419214	Pulley, Drive	32	<b>405744X427</b>	Wheel & Tire Assembly, Rear
14	193443	Kit, Wheel Adjuster Assembly, RH (Includes Knob and Bearing)	33	409148	Nut, Flangelock 3/8-16
15	409073	Kit, Wheel Adjuster Assembly, LH (Includes Knob and Bearing)	34	404835	Pinion
16	409074	Nut, Hex	39	401630	Washer, Curved, Cylindrical
17	73800400	Spring, Selector	40	400247X427	Wheel & Tire Assembly, Front
18	401621X004	Knob, Selector Spring	44	406580	V-Belt
19	701037		47	67725	Washer
			49	163409	Screw
			50	404832X004	Belt Keeper

**IMPORTANT:** Use only Original Equipment Manufacturer (O.E.M.) replacement parts. Failure to do so could be hazardous, damage your lawn mower and void your warranty.

**NOTE:** All component dimensions given in U.S. inches. 1 inch = 25.4 mm.