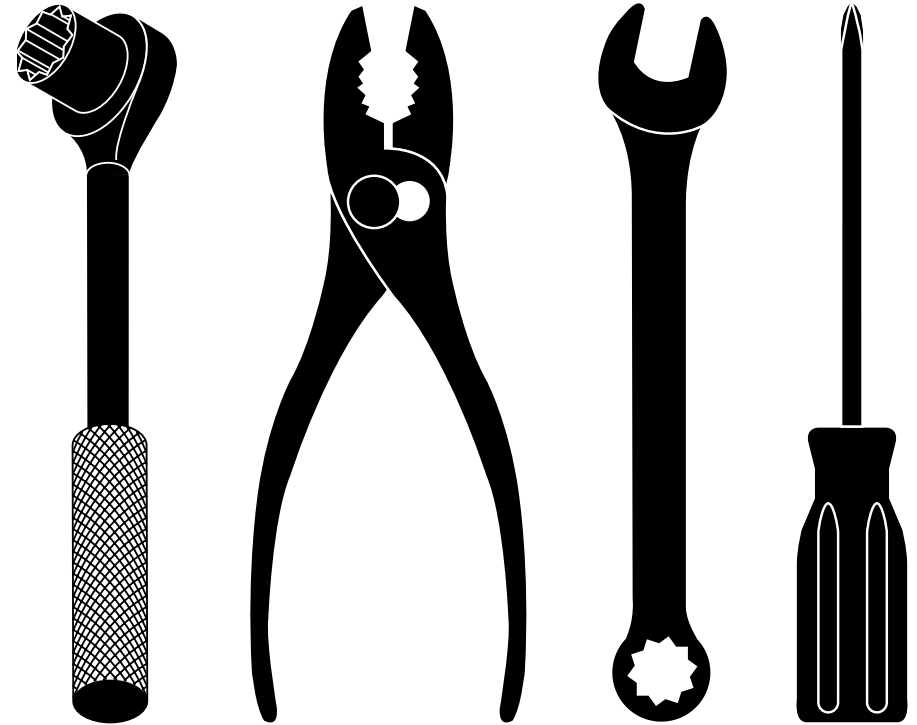


# Poulan PRO



**REPAIR PARTS MANUAL**  
MODEL NUMBER **PR160Y21RP**  
(MFG. ID. NUMBER 96148002500)

**Rotary Lawn Mower**

For Parts and Service or Technical Assistance, call 1-800-487-5951

**MANUEL DES PIÈCES DE RECHANGE**  
NUMÉRO DE MODÈLE **PR160Y21RP**  
(NO. DE MFG. 96148002500)

**Tondeuse à Gazon Rotative**

Pour les pièces de rechange et l'entretien ou l'assistance technique,  
appelez 1-800-487-5951

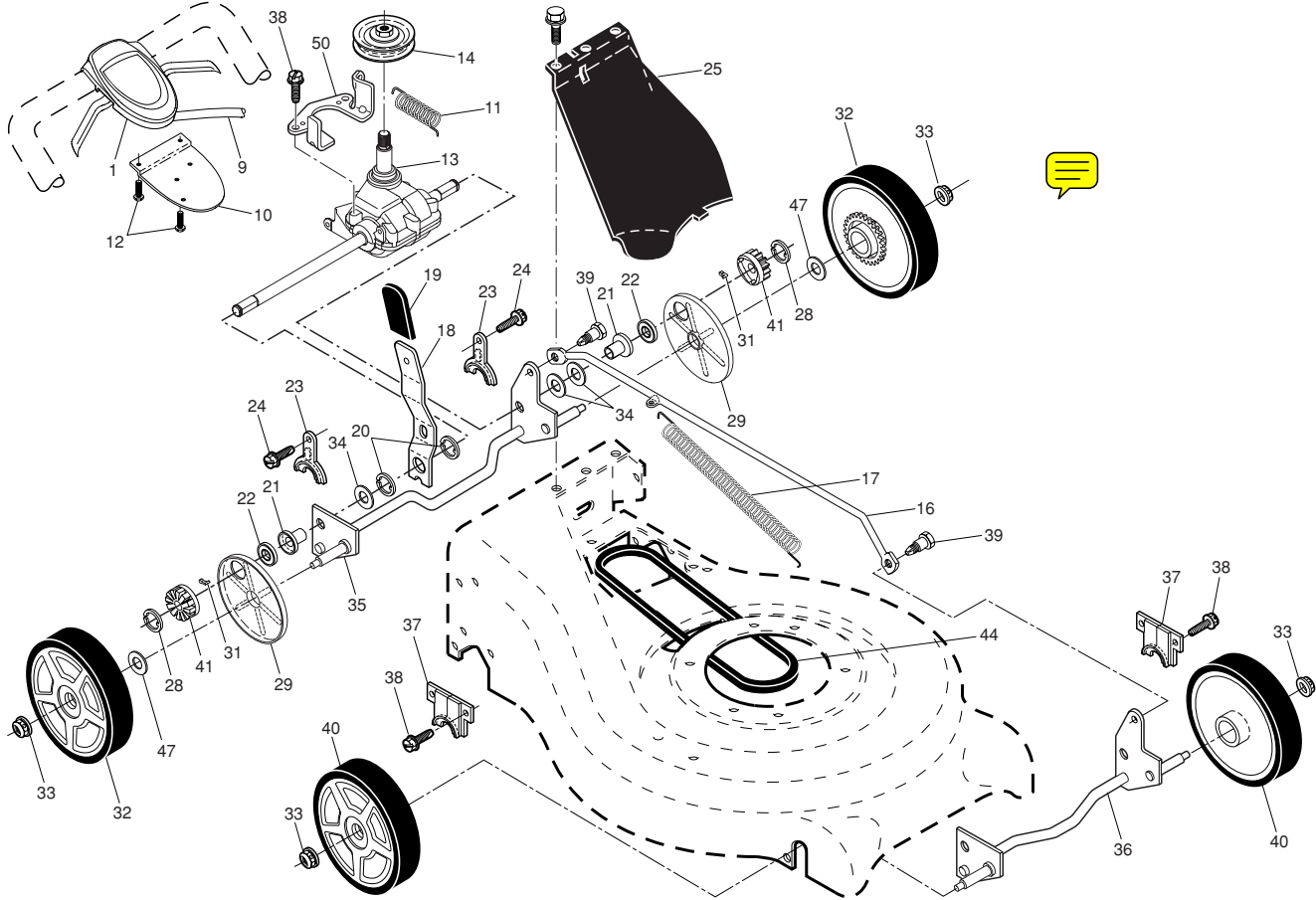
# Poulan PRO

Gasoline containing up to 10% ethanol (E10) is acceptable for use in this machine.  
The use of any gasoline exceeding 10% ethanol (E10) will void the product warranty.

Vous pouvez utiliser de l'essence contenant jusqu'à 10 % d'éthanol (E10) avec cet appareil.  
L'utilisation d'essence contenant plus de 10 % d'éthanol annulera la garantie du produit.

# TONDEUSE À GAZON ROTATIVE - NO. DE MODÈLE PR160Y21RP (NO. DE MFG. 96148002500)

10



## POULAN PRO ROTARY LAWN MOWER - MODEL NO. PR160Y21RP (MFG. ID. NO. 96148002500)

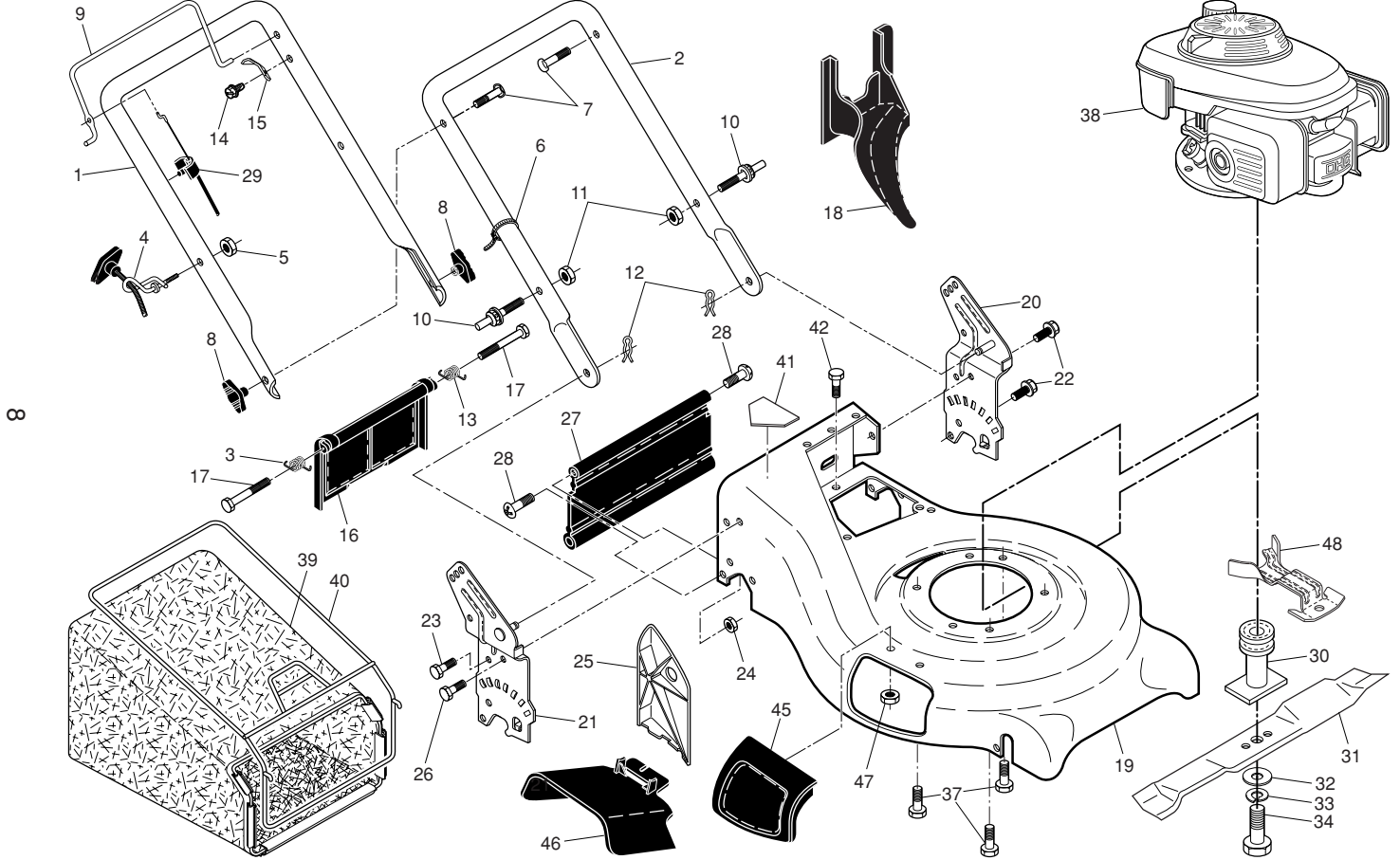
3

KEY NO.	PART NO.	DESCRIPTION	KEY NO.	PART NO.	DESCRIPTION	KEY NO.	PART NO.	DESCRIPTION
1	532 42 79-73	Handle, Upper	22	532 42 88-67	Screw	38	---	Engine, Honda, Model Number GCV160-LAS3A (For engine service and replacement parts, call Honda Engines at 1-800-426-7701)
2	532 19 60-05	Handle, Lower	23	532 16 31-83	Bolt, Hex Head 5/16-18 x 5/8	40	532 41 19-51	Frame, Grassbag
3	532 40 54-16	Spring, Rear Door, RH	24	873 80 05-00	Nut, Hex, with Lockwasher Insert 5/16-18	41	532 40 47-63	Danger Decal
4	532 19 47-88	Rope Guide	25	532 16 13-33	Baffle, Side	42	817 06 04-10	Screw
5	532 13 20-04	Nut, Hex, with Lockwasher Insert 1/4-20	26	532 16 34-09	Screw, Hi-Lo Thread #12 x 5/8	45	532 19 13-41	Mulcher Door
6	532 06 64-26	Wire, Tie	27	532 40 84-42	Skirt, Rear	46	532 19 12-10	Discharge Guard
7	532 19 15-74	Bolt, Handle 5/16-18 x 2-5/8	28	532 08 86-52	Screw, Hinge 1/4-20 x 1.25	47	532 08 83-49	Nut, Hex
8	532 19 19-38	Knob, Handle	29	532 19 12-21	Cable, Operator Presence	48	532 42 90-01	Belt Keeper
9	532 44 10-12	Control Bar	30	532 42 11-76	Blade Adapter / Pulley	--	532 40 27-86	Warning Decal (not shown)
10	532 18 88-21	Pin, Handle Adjustment	31	532 40 67-12	Blade, 21"	--	532 19 37-33	Operator's Manual, English
11	532 75 11-53	Nut, Hex	32	532 85 10-74	Washer	--	532 19 37-36	Operator's Manual, French
12	532 05 17-93	Cotter, Hairpin	33	532 85 02-63	Washer, Lock	--	532 44 10-02	Repair Parts Manual, English/French
13	532 40 54-15	Spring, Rear Door, LH	34	532 85 10-84	Bolt, Hex Head			
14	532 75 06-34	Screw	37	532 15 04-06	Bolt, Engine			
15	532 12 51-62	Bracket, Upstop						
16	532 40 88-88	Rear Door Assembly						
17	532 18 41-93	Bolt, Rear Door						
18	532 19 81-70	Plug, Mulcher						
19	532 43 09-30	Kit, Housing						
20	532 19 40-29	Handle Bracket Assembly, LH						
21	532 19 40-31	Handle Bracket Assembly, RH						

**NOTE:** All component dimensions given in U.S. inches. 1 inch = 25.4 mm.

**IMPORTANT:** Use only Original Equipment Manufacturer (O.E.M.) replacement parts. Failure to do so could be hazardous, damage your lawn mower and void your warranty.

# TONDEUSE À GAZON ROTATIVE - NO. DE MODÈLE PR160Y21RP (NO. DE MFG. 96148002500)



# POULAN PRO ROTARY LAWN MOWER - MODEL NO. PR160Y21RP (MFG. ID. NO. 96148002500)

KEY NO.	PART NO.	DESCRIPTION
1	532 43 55-04	Drive Control Assembly
9	532 43 16-55	Cable, Drive
10	532 43 27-90	Bracket, Drive Control
11	532 40 65-58	Spring, Return
12	532 18 16-98	Screw
13	532 41 92-13	Gear Case Assembly
14	532 19 34-43	Pulley, Drive
16	532 40 71-47	Rod, Connecting
17	532 40 96-16	Spring, Extension
18	532 41 88-66	Spring, Selector
19	532 41 13-67	Knob, Selector Spring
20	812 00 00-22	E-Ring 7/8
21	532 40 48-38	Retainer, Bearing
22	532 19 10-39	Bearing, Ball
23	532 16 45-55	Retainer, Drive Assembly
24	817 06 04-10	Screw, Tapping, Hex Head 1/4-20 x 3/4

KEY NO.	PART NO.	DESCRIPTION
25	532 43 26-71	Drive Cover Assembly (Includes Mounting Screw and Pushnut)
28	812 00 00-58	E-Ring 7/16
29	532 18 94-03	Cover, Dust, Wheel
31	532 40 48-45	Pawl, Drive
32	532 41 41-57	Wheel & Tire Assembly, Rear 8 x 1-3/4
33	532 40 91-48	Nut, Flangelock 3/8-16
34	532 85 12-26	Washer
35	532 41 09-22	Shaft Assembly, Rear
36	532 41 09-33	Shaft Assembly, Front
37	532 16 14-63	Retainer, Front Shaft
38	532 16 34-09	Screw #12 x 5/8
39	532 40 70-59	Bolt, Shoulder, Semi-Gimlett Point
40	532 41 21-73	Wheel & Tire Assembly, Front 8 x 1-3/4
41	532 40 48-35	Pinion, Gear
44	532 40 65-80	V-Belt
47	532 06 77-25	Washer
50	532 41 31-04	Belt Keeper

**NOTE:** All component dimensions given in U.S. inches. 1 inch = 25.4 mm.

**IMPORTANT:** Use only Original Equipment Manufacturer (O.E.M.) replacement parts. Failure to do so could be hazardous, damage your lawn mower and void your warranty.