

### LIMITED WARRANTY

The Manufacturer warrants to the original consumer purchaser that this product as manufactured is free from defects in materials and workmanship. For a period of two (2) years from date of purchase by the original consumer purchaser, we will repair or replace, at our option, without charge for parts or labor incurred in replacing parts, any part which we find to be defective due to materials or workmanship. This Warranty is subject to the following limitations and exclusions.

1. This warranty does not apply to the engine, transaxle/transmission components, battery (except as noted below) or components parts thereof. Please refer to the applicable manufacturer's warranty on these items.
2. Transportation charges for the movement of any power equipment unit or attachment are the responsibility of the purchaser. Transportation charges for any parts submitted for replacement under this warranty must be paid by the purchaser unless such return is requested by the manufacturer.
3. Battery Warranty: On products equipped with a Battery, we will replace, without charge to you, any battery which we find to be defective in manufacture, during the first ninety (90) days of ownership. After ninety (90) days, we will exchange the Battery, charging you 1/12 of the price of a new Battery for each full month from the date of the original sale. Battery must be maintained in accordance with the instructions furnished.
4. The Warranty period for any products used for rental or commercial purposes is limited to 45 days from the date of original purchase.
5. This Warranty applies only to products which have been properly assembled, adjusted, operated, and maintained in accordance with the instructions furnished. This Warranty does not apply to any product which has been subjected to alteration, misuse, abuse, improper assembly or installation, delivery damage, or to normal wear of the product.
6. Exclusions: Excluded from this Warranty are belts, blades, blade adapters, normal wear, normal adjustments, standard hardware and normal maintenance.
7. In the event you have a claim under this Warranty, you must return the product to an authorized service dealer.

Should you have any unanswered questions concerning this Warranty, contact:

HOP  
Customer Service Department  
9335 Harris Corners Parkway  
Charlotte, NC 28269 USA

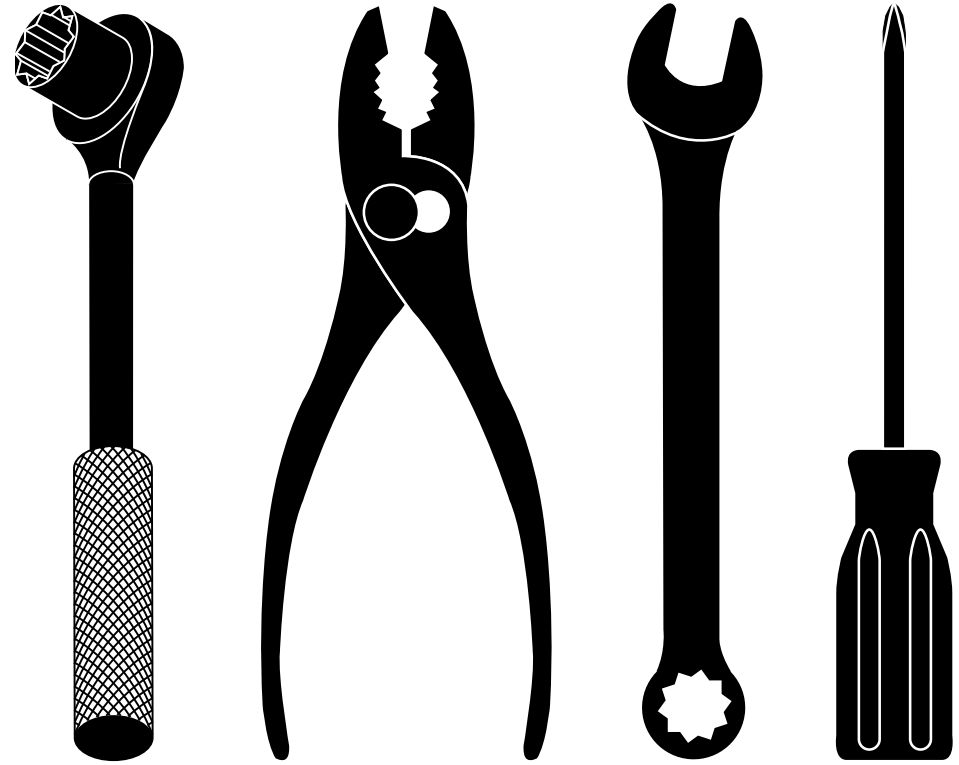
In Canada contact:  
HOP  
Customer Service Department  
5855 Terry Fox Way  
Mississauga, Ontario L5V 3E4

giving the model number, serial number and date of purchase of your product and the name and address of the authorized dealer from whom it was purchased.

**THIS WARRANTY DOES NOT APPLY TO INCIDENTAL OR CONSEQUENTIAL DAMAGES AND ANY IMPLIED WARRANTIES ARE LIMITED TO THE SAME TIME PERIODS STATED HEREIN FOR OUR EXPRESSED WARRANTIES.**

Some areas do not allow the limitation of consequential damages or limitations of how long an implied Warranty may last, so the above limitations or exclusions may not apply to you. This Warranty gives you specific legal rights, and you may have other rights which vary from locale to locale.

This is a limited Warranty within the meaning of that term as defined in the Magnuson-Moss Act of 1975.



# REPAIR PARTS MANUAL MODEL NUMBER 30534379 (MFG. ID. NO. 96148003701) Rotary Lawn Mower

For Parts and Service or Technical Assistance, call 1-800-487-5951



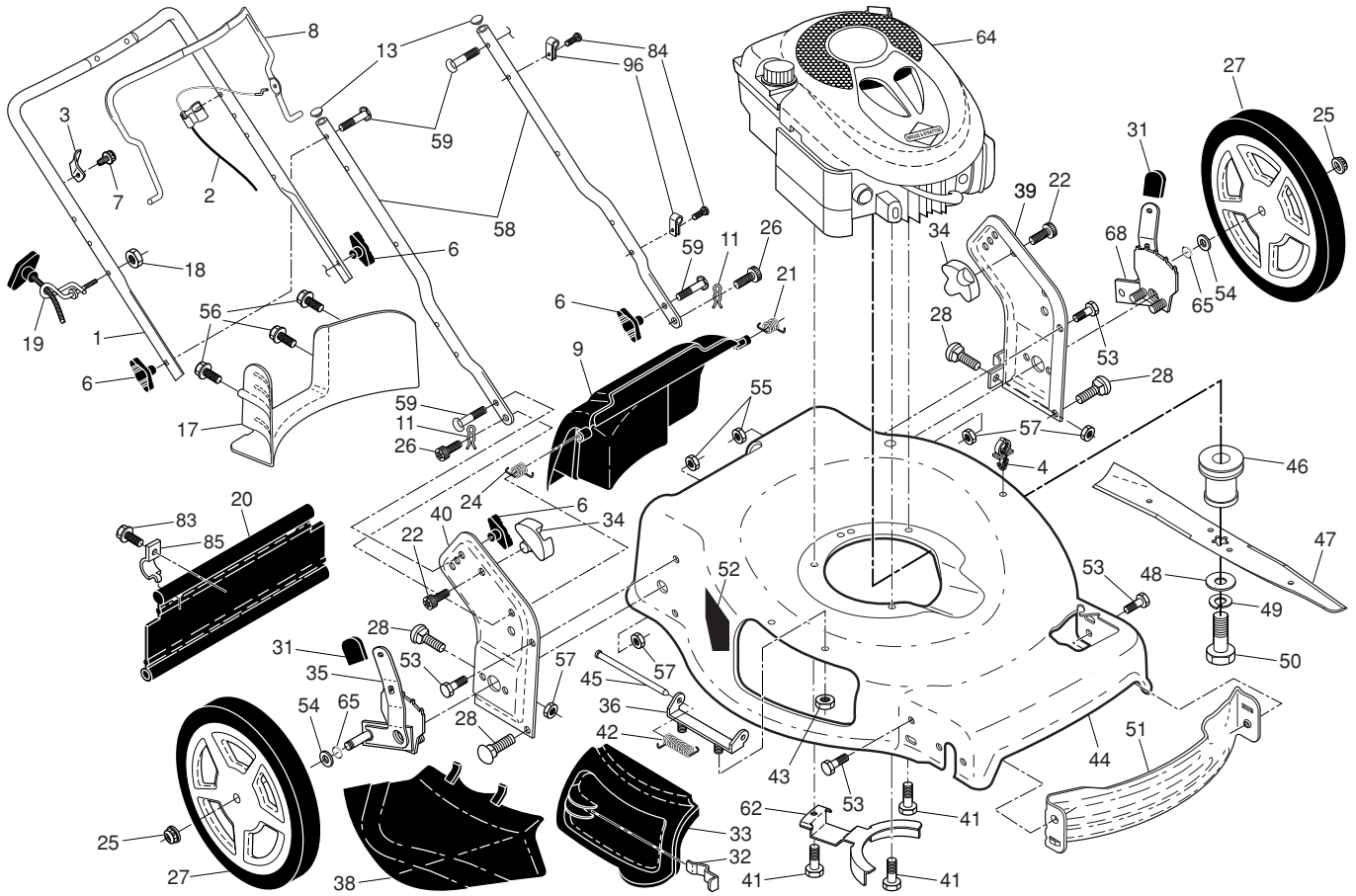
**NOTE:** Gasoline containing up to 10% ethanol (E10) is acceptable for use in this machine. The use of any gasoline exceeding 10% ethanol (E10) will void the product warranty.

583869127 01.22.13 BY

Printed in U.S.A.

**BRUTE ROTARY LAWN MOWER - MODEL NUMBER 30534379 (MFG. ID. NUMBER 96148003701)**

2



7

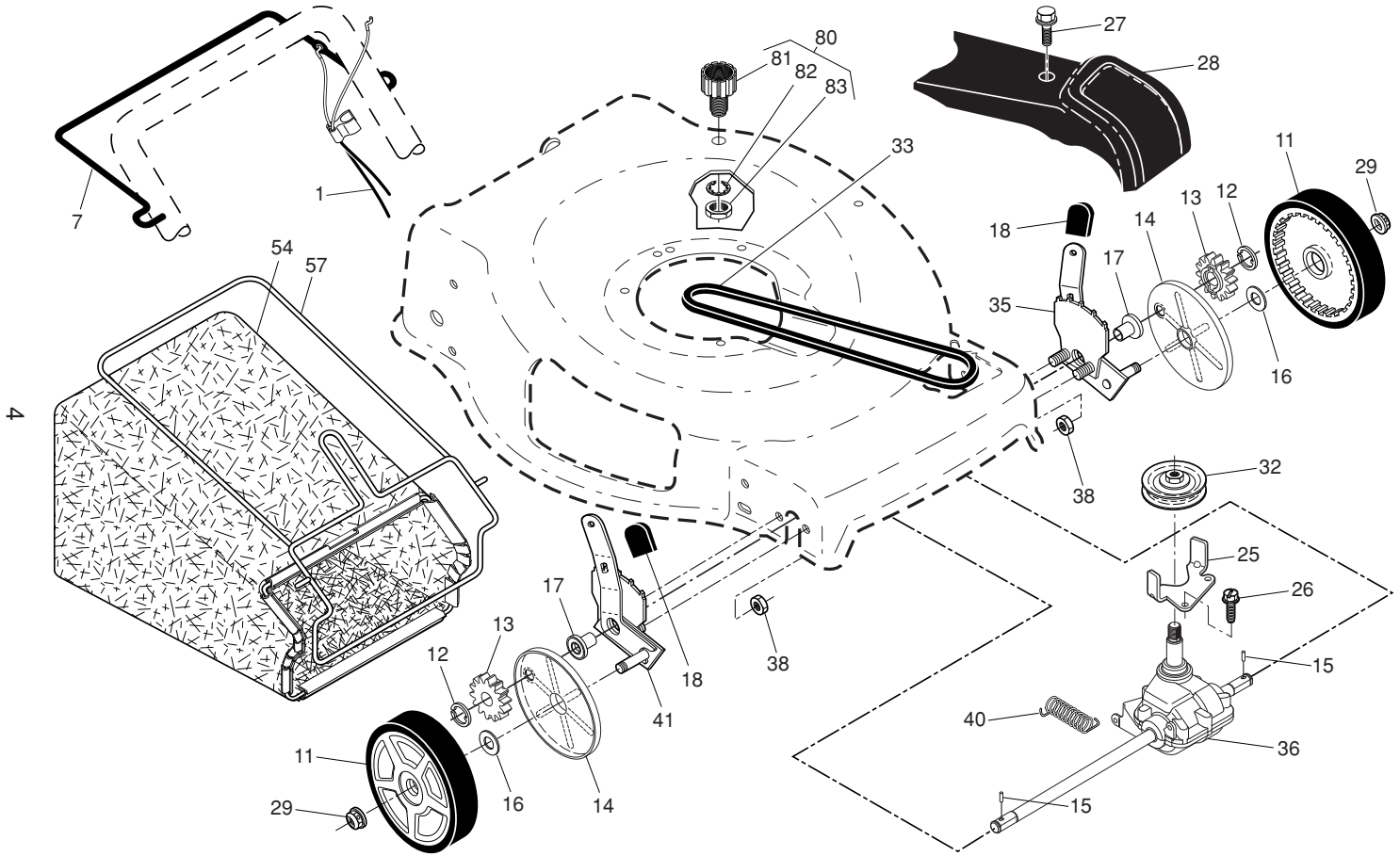
**SERVICE NOTES**

**BRUTE ROTARY LAWN MOWER - MODEL NUMBER 30534379 (MFG. ID. NUMBER 96148003701)**

KEY NO.	PART NO.	DESCRIPTION	KEY NO.	PART NO.	DESCRIPTION	KEY NO.	PART NO.	DESCRIPTION
1	427615X479	Upper Handle	32	419944X007	Latch, Mulcher Door	54	88348	Washer, Flat
2	420939	Engine Zone Control Cable	33	432642	Mulcher Door	55	191730	Nut, Hex, Flanged 1/4-20
3	429930X004	Bracket, Upstop	34	419946X428	Pivot Bracket	56	17411312	Screw, Hex Washer Head #13 x 3/4
4	145006	Guide, Cable	35	431140	Wheel Adjuster Assembly, RH	57	155377	Locknut, Hex 5/16-18
6	189713X428	Handle Knob	36	175735	Hinge Bracket Assembly	58	437517X479	Bar, Lower Handle
7	178848	Screw, Hex Washer Head #10-16 x 5/8	38	419942X428	Discharge Deflector	59	191574	Handle Bolt
8	427612X428	Control Bar	39	581353703	Handle Bracket, LH	62	431913X004	Belt Retainer
9	421084	Rear Door Assembly	40	581353603	Handle Bracket, RH	64	- - -	Engine, Briggs & Stratton, Model Number <b>126M02-0131-F1</b> (For engine service and replacement parts, call Briggs & Stratton at 1-800-233-3723)
11	425575	Hairpin	41	150406	Screw, Dogpoint 3/8-16 x 1-1/8	65	197480	O-Ring
13	437516	Plug, Lower Handle Bar	42	193000	Spring, Torsion	68	431141	Wheel Adjuster Assembly, LH
3 17	427120X428	Rear Baffle	43	191730	Nut, Hex, Nylock	83	750097	Screw
18	132004	Keps Locknut 1/4-20	44	431558	Kit, Lawn Mower Housing	84	428124	Fastener, Push
19	194788	Rope Guide	45	175650	Rod, Hinge	85	429801X004	Bracket, Skirt Mounting
20	429157	Rear Skirt	46	421782	Blade Adapter / Pulley	96	197991	Clip, Cable
21	419949	Spring, Rear Door, LH, Black	47	420463	Blade, 22"	--	193733	Operator's Manual, English
22	141841	Screw, Pan Head, Torx #20	48	851074	Washer, Hardened	--	193736	Operator's Manual, French
24	419948	Spring, Rear Door, RH, Grey	49	850263	Washer, Helical	--	193743	Operator's Manual, Spanish
25	409149	Nut, Hex, Flanged	50	851084	Screw, Machine, Hex Head 3/8-24 x 1-3/8 Grade 8	--	<b>583869127</b>	Repair Parts Manual
26	419945	Screw, Rear Door / Handle Pivot	51	430599	Front Baffle			
27	581010308	Wheel & Tire Assembly, Rear	52	404763	Decal, Danger			
28	72250505	Bolt, Carriage 5/16-18 x 5/8	53	17000510	Screw, Hex Head 5/16			
31	701037	Selector Knob						

**NOTE:** All component dimensions given in U.S. inches. 1 inch = 25.4 mm. **IMPORTANT:** Use only Original Equipment Manufacturer (O.E.M.) replacement parts. Failure to do so could be hazardous, damage your lawn mower and void your warranty.

**BRUTE ROTARY LAWN MOWER - MODEL NUMBER 30534379 (MFG. ID. NUMBER 96148003701)**



**BRUTE ROTARY LAWN MOWER - MODEL NUMBER 30534379 (MFG. ID. NUMBER 96148003701)**

KEY NO.	PART NO.	DESCRIPTION	KEY NO.	PART NO.	DESCRIPTION
1	424919	Drive Control Cable	29	409148	Locknut, Hex
7	194185X428	Bar, Drive Control	32	443262	Drive Pulley
11	581009201	Wheel & Tire Assembly, Front	33	196853	V-Belt
12	12000058	E-Ring	35	431142	Wheel Adjuster Assembly, LH (Includes Bearing, Key #17)
13	403849	Pinion	36	424741	Gear Case Assembly, Complete
14	581840401	Dust Cover	38	191730	Locknut 1/4-20
15	404845	Pawl, Drive	40	406558	Spring
16	67725	Washer, Flat 3/8	41	431144	Wheel Adjuster Assembly, RH (Includes Bearing, Key #17)
17	- - -	Bearing Assembly, Wheel Adjuster	54	<b>580947313</b>	Grassbag
18	701037	Selector Knob	57	419951	Frame, Grassbag
25	430458X004	Belt Guide Bracket	80	421114	Kit, Water Washout Assembly
26	163409	Screw, Hi-Lo Thread #12 x 5/8	81	419735	Fitting, Hose, Water Washout
27	175262	Screw, Pan Head, Self-Tapping #10-24 x 2-3/4	82	415585	Washer, Lock, Internal Tooth
28	<b>419930</b>	Drive Cover	83	415586	Locknut, Hex, with O-Ring

**NOTE:** All component dimensions given in U.S. inches. 1 inch = 25.4 mm. **IMPORTANT:** Use only Original Equipment Manufacturer (O.E.M.) replacement parts. Failure to do so could be hazardous, damage your lawn mower and void your warranty.