

LIMITED WARRANTY

The Manufacturer warrants to the original consumer purchaser that this product as manufactured is free from defects in materials and workmanship. For a period of two (2) years from date of purchase by the original consumer purchaser, we will repair or replace, at our option, without charge for parts or labor incurred in replacing parts, any part which we find to be defective due to materials or workmanship. This Warranty is subject to the following limitations and exclusions.

1. This warranty does not apply to the engine, transaxle/transmission components, battery (except as noted below) or components parts thereof. Please refer to the applicable manufacturer's warranty on these items.
2. Transportation charges for the movement of any power equipment unit or attachment are the responsibility of the purchaser. Transportation charges for any parts submitted for replacement under this warranty must be paid by the purchaser unless such return is requested by the manufacturer.
3. Battery Warranty: On products equipped with a Battery, we will replace, without charge to you, any battery which we find to be defective in manufacture, during the first ninety (90) days of ownership. After ninety (90) days, we will exchange the Battery, charging you 1/12 of the price of a new Battery for each full month from the date of the original sale. Battery must be maintained in accordance with the instructions furnished.
4. The Warranty period for any products used for rental or commercial purposes is limited to 45 days from the date of original purchase.
5. This Warranty applies only to products which have been properly assembled, adjusted, operated, and maintained in accordance with the instructions furnished. This Warranty does not apply to any product which has been subjected to alteration, misuse, abuse, improper assembly or installation, delivery damage, or to normal wear of the product.
6. Exclusions: Excluded from this Warranty are belts, blades, blade adapters, normal wear, normal adjustments, standard hardware and normal maintenance.
7. In the event you have a claim under this Warranty, you must return the product to an authorized service dealer.

Should you have any unanswered questions concerning this Warranty, contact:

Poulan Pro
Customer Service Department
9335 Harris Corners Parkway
Charlotte, NC 28269 USA

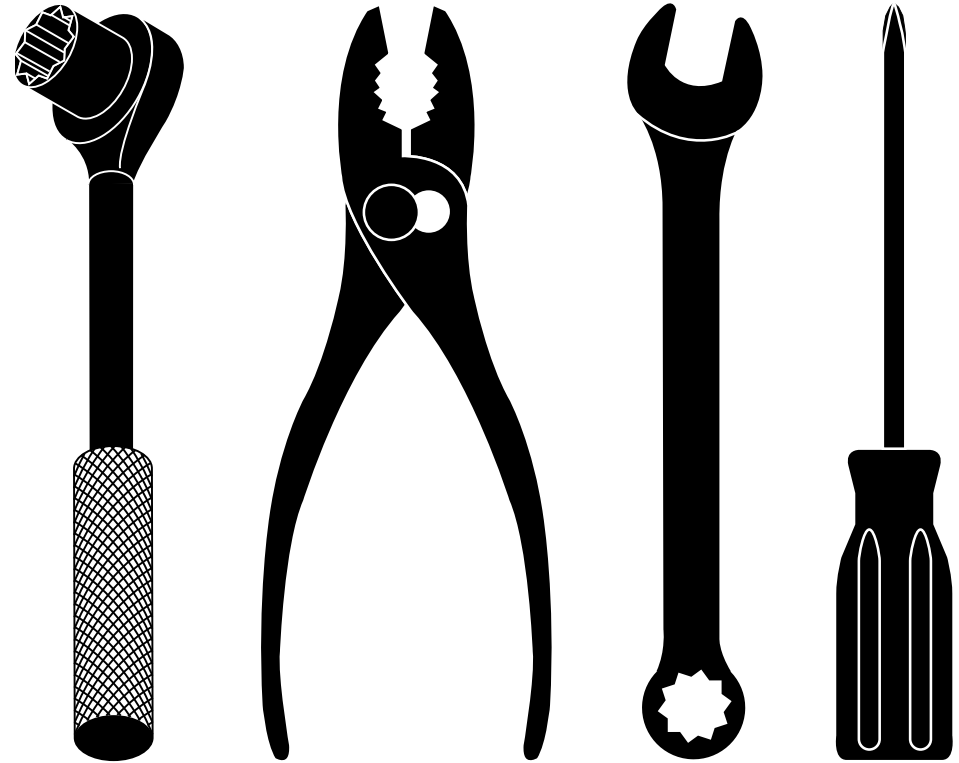
In Canada contact:
Poulan Pro
Customer Service Department
5855 Terry Fox Way
Mississauga, Ontario L5V 3E4

giving the model number, serial number and date of purchase of your product and the name and address of the authorized dealer from whom it was purchased.

THIS WARRANTY DOES NOT APPLY TO INCIDENTAL OR CONSEQUENTIAL DAMAGES AND ANY IMPLIED WARRANTIES ARE LIMITED TO THE SAME TIME PERIODS STATED HEREIN FOR OUR EXPRESSED WARRANTIES.

Some areas do not allow the limitation of consequential damages or limitations of how long an implied Warranty may last, so the above limitations or exclusions may not apply to you. This Warranty gives you specific legal rights, and you may have other rights which vary from locale to locale.

This is a limited Warranty within the meaning of that term as defined in the Magnuson-Moss Act of 1975.



REPAIR PARTS MANUAL MODEL NO. PR160Y22RP MFG. ID. NO. 96148003800 Rotary Lawn Mower

For Parts and Service or Technical Assistance, call 1-800-487-5951

Poulan PRO

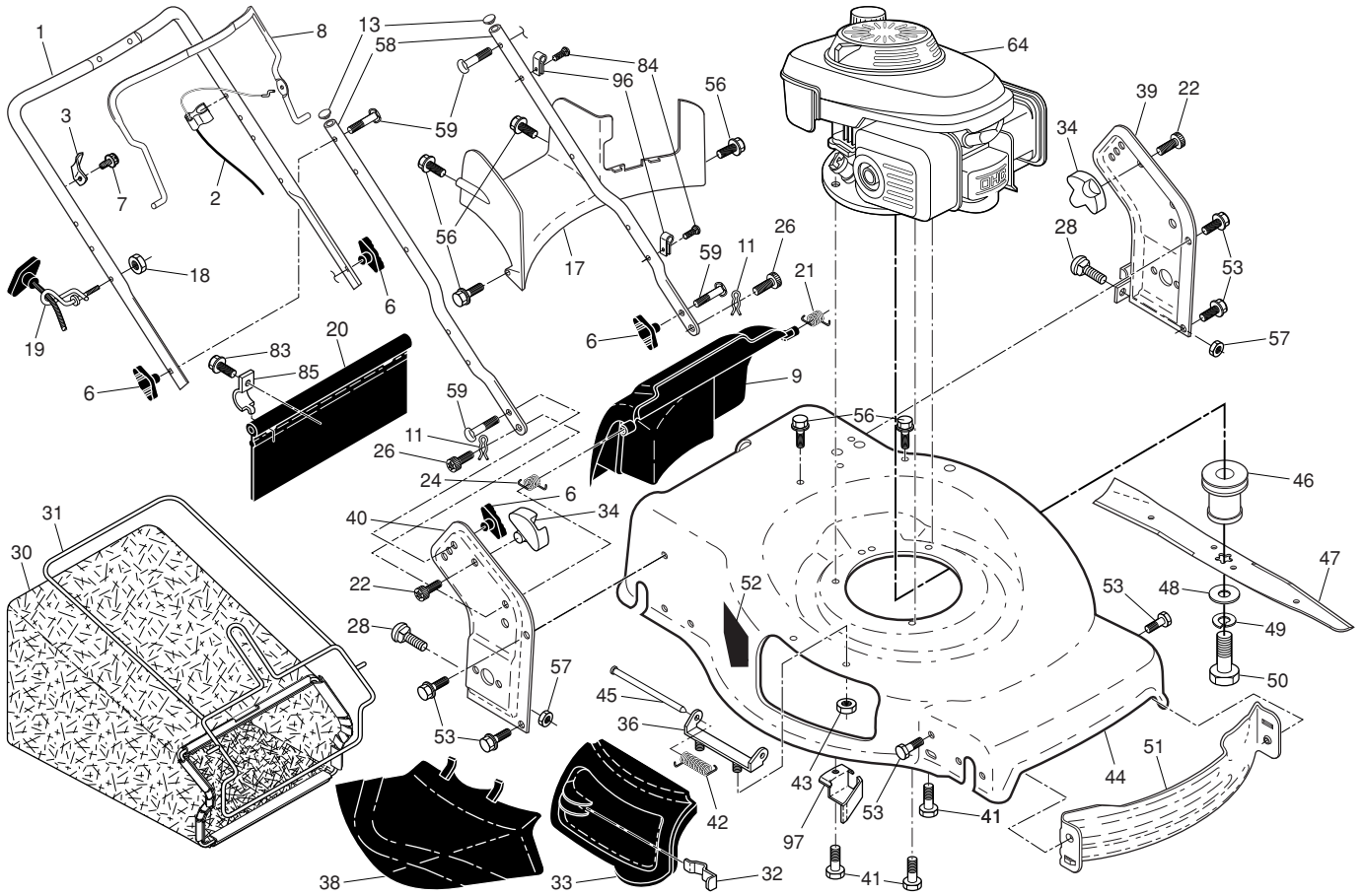
NOTE: Gasoline containing up to 10% ethanol (E10) is acceptable for use in this machine. The use of any gasoline exceeding 10% ethanol (E10) will void the product warranty.

581 79 60-27 Rev. 1 02.08.13 BY

Printed in U.S.A.

Poulan PRO

POULAN PRO ROTARY LAWN MOWER - MODEL NO. PR160Y22RP (MFG. ID. NO. 96148003800)



2

7

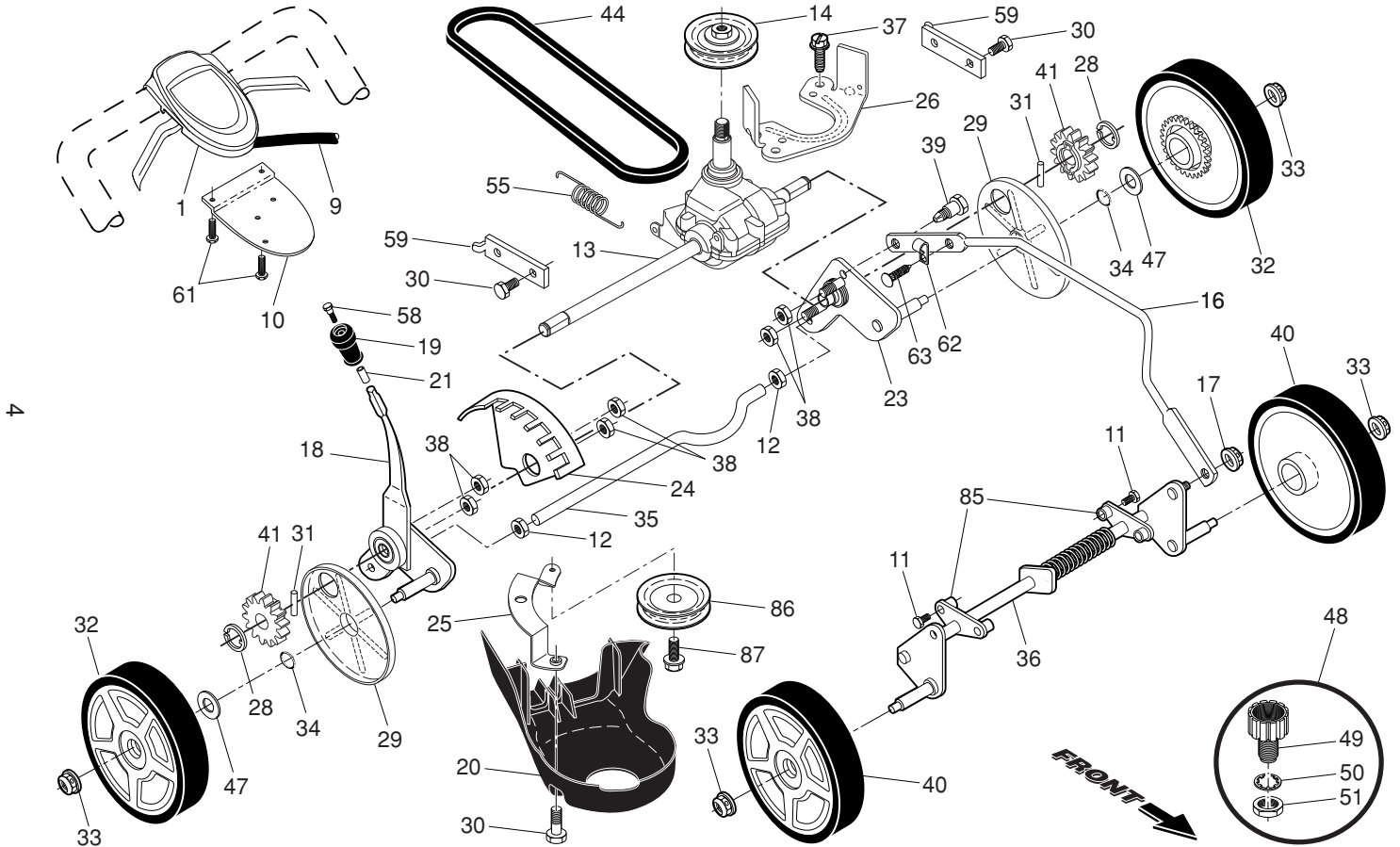
SERVICE NOTES

POULAN PRO ROTARY LAWN MOWER - MODEL NO. PR160Y22RP (MFG. ID. NO. 96148003800)

KEY NO.	PART NO.	DESCRIPTION	KEY NO.	PART NO.	DESCRIPTION	KEY NO.	PART NO.	DESCRIPTION
1	532 42 79-04	Upper Handle Assembly	32	532 44 11-92	Latch, Mulcher Door	53	817 00 05-10	Screw
2	532 42 49-83	Cable, Engine Zone Control	33	532 43 26-42	Mulcher Door	56	817 41 13-12	Screw, Hex Washer Head #13 x 3/4
3	532 43 00-34	Bracket, Upstop	34	532 43 81-34	Pivot Bracket	57	532 15 53-77	Nut, Hex
6	532 19 19-38	Handle Knob	36	532 17 57-35	Hinge Bracket Assembly	58	532 44 11-96	Lower Handle
7	532 17 88-48	Screw #10-16 x 5/8	38	532 42 61-29	Discharge Deflector	59	532 19 15-74	Handle Bolt
8	583 88 09-01	Control Bar	39	581 35 37-03	Handle Bracket, LH	64	- - -	Engine, Honda, Model Number GCV160-LAOS3A (For engine service and replacement parts, call Honda at 1-800-426-7701)
9	532 42 10-88	Rear Door Assembly	40	581 35 36-03	Handle Bracket, RH			
11	532 42 55-75	Hairpin, Door/Handle Pivot	41	532 15 04-06	Screw, Dogpoint 3/8-16 x 1-1/8			
13	532 43 75-16	Plug, Lower Handle Bar	42	532 19 30-00	Spring, Torsion			
17	532 43 12-38	Rear Baffle	43	532 19 17-30	Nut, Hex, Nylock			
18	532 13 20-04	Keps Locknut 1/4-20	44	532 43 19-46	Kit, Lawn Mower Housing	83	532 75 00-97	Screw, Hex Washer Head
19	532 19 47-88	Rope Guide	45	532 17 56-50	Rod, Hinge	84	532 42 81-24	Fastener, Push
20	532 44 45-01	Rear Skirt	46	581 85 15-01	Blade Adapter / Pulley	85	532 43 45-30	Mounting Bracket, Rear Skirt
21	532 41 99-49	Spring, Rear Door, LH, Black	47	532 42 18-25	Blade, 22"			
22	532 14 18-41	Screw, Panhead, Torx #20	48	532 85 10-74	Washer, Hardened	96	532 19 79-91	Clip, Cable
24	532 41 99-48	Spring, Rear Door, RH, Grey	49	532 85 02-63	Washer, Helical	97	581 31 38-02	Belt Keeper
26	532 41 99-45	Screw, Rear Door / Handle Pivot	50	532 85 10-84	Screw, Machine, Hex Head 3/8-24 x 1-3/8 Grade 8	--	532 19 37-33	Operator's Manual, English
28	872 25 05-05	Bolt, Carriage 5/16-18 x 5/8	51	532 43 05-99	Front Baffle	--	532 19 37-36	Operator's Manual, French
30	580 94 73-09	Grassbag	52	532 40 47-63	Decal, Danger	--	532 19 37-43	Operator's Manual, Spanish
31	532 41 99-51	Frame, Grass Catcher				--	581 79 60-27	Repair Parts Manual

NOTE: All component dimensions given in U.S. inches. 1 inch = 25.4 mm. **IMPORTANT:** Use only Original Equipment Manufacturer (O.E.M.) replacement parts. Failure to do so could be hazardous, damage your lawn mower and void your warranty.

POULAN PRO ROTARY LAWN MOWER - MODEL NO. PR160Y22RP (MFG. ID. NO. 96148003800)



POULAN PRO ROTARY LAWN MOWER - MODEL NO. PR160Y22RP (MFG. ID. NO. 96148003800)

KEY NO.	PART NO.	DESCRIPTION	KEY NO.	PART NO.	DESCRIPTION
1	532 43 55-17	Drive Control Assembly (Includes Cable)	33	532 40 91-48	Nut, Flangelock 3/8-16
9	532 43 16-50	Cable, Drive	34	532 19 74-80	O-Ring
10	532 43 27-90	Mounting Bracket, Drive Control	35	532 43 05-98	Axle, Rear
11	817 41 13-12	Screw	36	532 44 71-89	Axle, Front
12	873 94 08-00	Nut, Hex	37	532 16 34-09	Screw, Hi-Lo Thread, 12 x 5/8
13	581 68 08-01	Gearcase Assembly, Complete	38	532 19 17-30	Nut, Hex
14	532 19 41-28	Pulley, Drive	39	532 40 70-59	Bolt
16	532 43 00-30	Rod, Connecting	40	581 00 94-12	Wheel & Tire Assembly, Front
17	532 75 11-53	Nut, Hex	41	532 40 48-35	Pinion
18	532 43 64-45	Kit, Selector Assembly	44	532 40 65-57	Belt, Drive
19	532 43 39-96	Knob, Wheel Adjuster	47	532 06 77-25	Washer, Flat
20	580 80 69-01	Debris Shield	48	532 42 11-14	Kit, Water Washout Assembly
21	532 43 52-42	Anchor	49	532 41 97-35	Fitting, Water Washout
23	532 43 24-32	Wheel Axle Assembly, LH	50	532 41 55-85	Washer, Lock, Internal Tooth
24	532 43 35-11	Bracket, Height Adjustment	51	532 41 55-86	Locknut, Hex, with O-Ring
25	581 31 38-02	Mounting Bracket, Debris Shield / Idler Pulley	55	581 35 13-01	Spring, Tension
26	532 42 60-66	Belt Keeper	58	532 43 52-41	Bolt, Shoulder
28	812 00 00-58	E-Ring 7/16	59	532 44 21-13	Support Bracket
29	581 84 04-01	Cover, Dust, Wheel	61	532 18 16-98	Screw
30	817 00 05-10	Screw, Hex Head	62	532 19 79-91	Clip, Cable
31	532 40 48-45	Pawl, Drive	63	532 42 81-24	Fastener, Push
32	581 68 55-05	Wheel & Tire Assembly, Rear	85	532 43 90-77	Support Bracket, Front Axle
			86	580 36 43-01	Pulley, Idler
			87	581 12 76-01	Screw

NOTE: All component dimensions given in U.S. inches. 1 inch = 25.4 mm. **IMPORTANT:** Use only Original Equipment Manufacturer (O.E.M.) replacement parts. Failure to do so could be hazardous, damage your lawn mower and void your warranty.