

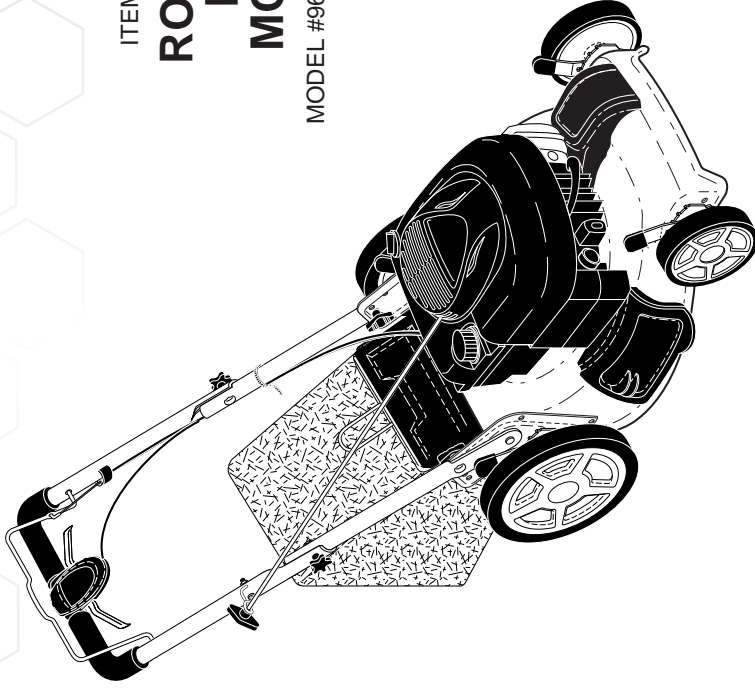
**NEXT GENERATION
OF TOUGH TOOLS™**

**NOTE: THE PARTS #S & DESCRIPTIONS ARE NOT MATCHED TO
THE DRAWINGS.**

ITEM #0435666

**ROTARY
LAWN
MOWER**

MODEL #96148004300



Français p. 8

ATTACH YOUR RECEIPT HERE

Serial Number _____ Purchase Date _____



Questions, problems, missing parts?

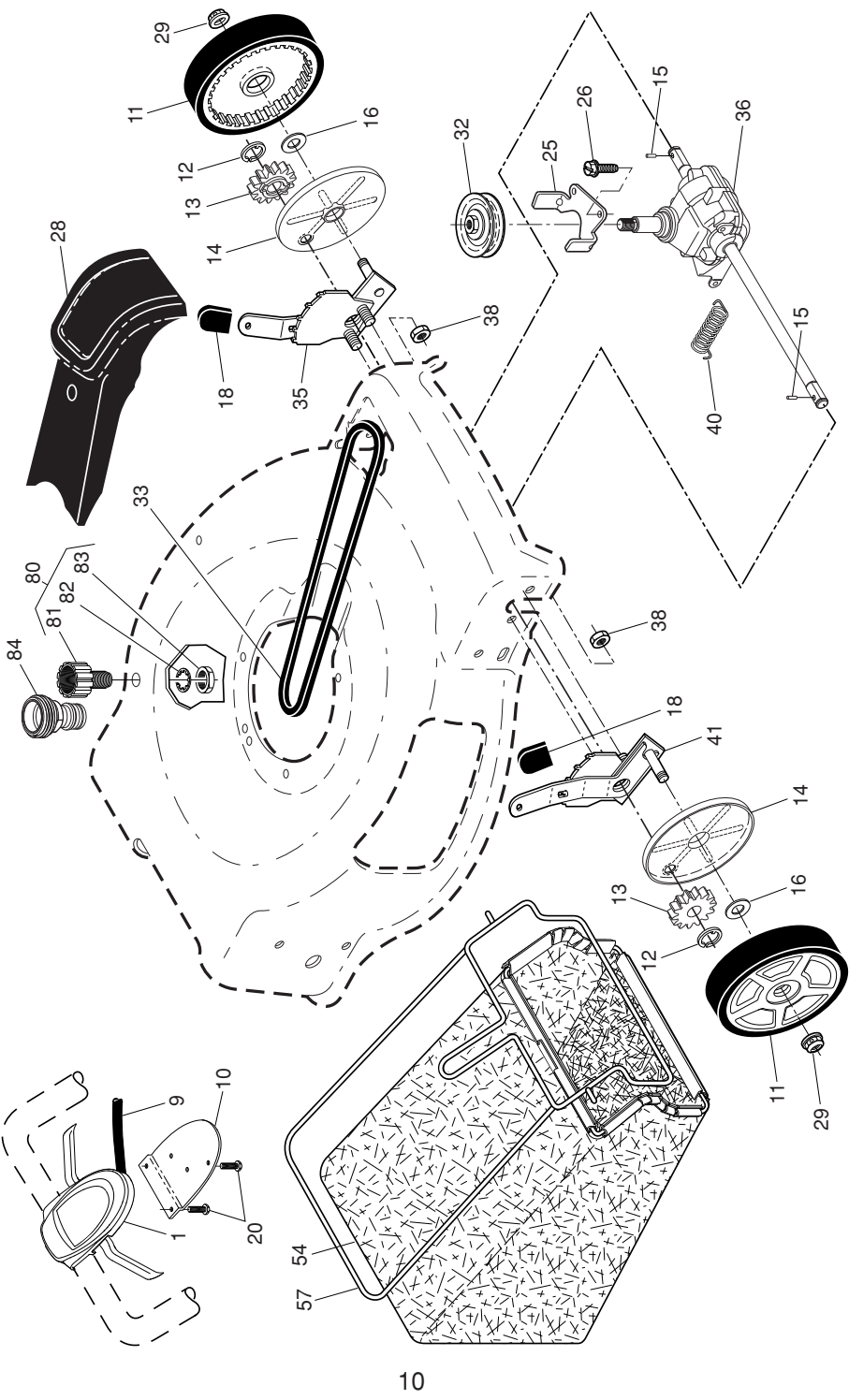
Before returning to your retailer, call our customer service department at 1-888-3KOBALT (1-888-356-2258), 8 a.m. - 8 p.m., EST, Monday - Friday.

581 95 13-27 Rev. 4 04.24.13 BY

Gasoline containing up to 10% ethanol (E10) is acceptable for use in this machine. The use of any gasoline exceeding 10% ethanol (E10) will void the product warranty.
Vous pouvez utiliser de l'essence contenant jusqu'à 10 % d'éthanol (E10) avec cet appareil. L'utilisation d'essence contenant plus de 10 % d'éthanol annulera la garantie du produit.

Printed in U.S.A.
Imprimé aux É.U.

TONDEUSE À GAZON ROTATIVE KOBALT™ - NO DE MODÈLE 96148004300 (ITEM #0435666)

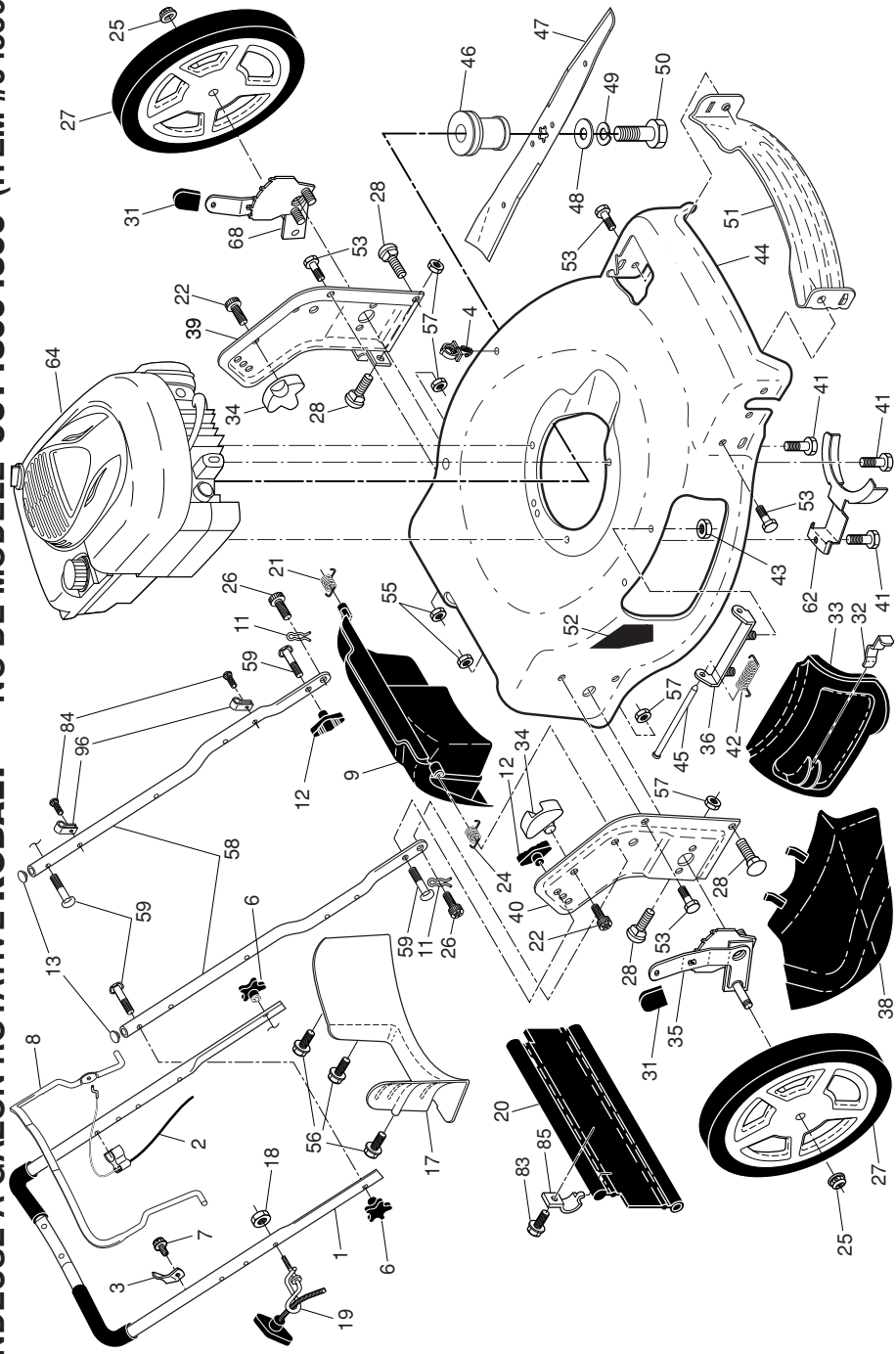


KOBALT™ ROTARY LAWN MOWER -- MODEL NUMBER 96148004300 (ITEM NUMBER 0435666)

KEY NO.	PART NO.	DESCRIPTION	KEY NO.	PART NO.	DESCRIPTION	KEY NO.	PART NO.	DESCRIPTION
1	532 18 45-76	Upper Handle Assembly (Includes Foam Grip)	32	532 44 11-92	Latch, Mulcher Door	55	532 19 17-30	Nut, Hex, Flanged 1/4-20
2	532 41 53-50	Cable, Engine Zone Control	33	532 43 26-42	Mulcher Door	56	817 41 13-12	Screw, Hex Washer Head #13 x 3/4
3	532 43 00-34	Bracket, Upstop	34	532 43 81-34	Pivot Bracket	57	532 15 53-77	Nut, Hex 3/8-16
4	532 14 50-06	Guide, Cable	35	532 43 11-40	Wheel Adjuster, Rear, RH	58	532 44 11-96	Bar, Handle, Lower
5	532 18 23-98	Handle Knob, Star	36	532 17 57-35	Hinge Bracket Assembly	59	532 19 15-74	Handle Bolt
6	532 17 88-48	Screw #10-16 x 5/8	38	532 43 61-29	Discharge Deflector	62	532 43 50-59	Belt Retainer
7	532 17 88-48	Screw #10-16 x 5/8	39	581 35 37-03	Handle Bracket, LH	64	---	Engine, Briggs & Stratton, Model Number 126T02-1525-B1 (For engine service and replacement parts, call Briggs & Stratton at 1-800-233-3723)
8	581 96 74-01	Control Bar	40	581 35 36-03	Handle Bracket, RH	65	532 19 74-80	O-Ring
9	532 42 10-84	Rear Door Assembly	41	532 15 04-06	Screw, Dogpoint 3/8-16 x 1-1/8	68	532 43 11-41	Wheel Adjuster, Rear, LH
11	532 42 55-75	Hairpin, Door/Handle Pivot	42	532 19 30-00	Spring, Torsion	83	532 75 00-97	Screw, Hex Washer Head
12	532 19 19-38	Handle Knob, Standard	43	532 19 17-30	Nut, Hex, Nylon	84	532 42 81-24	Fastener, Push
13	532 43 75-16	Plug, Lower Handle Bar	44	581 70 83-11	Kit, Lawn Mower Housing	85	532 43 45-30	Mounting Bracket, Skirt
17	532 42 73-07	Rear Baffle	45	532 17 56-50	Rod, Hinge	96	532 19 79-91	Clip, Cable
18	532 13 20-04	Keps Locknut 1/4-20	46	532 42 17-82	Blade Adapter / Pulley	--	532 19 37-33	Operator's Manual, English
19	532 19 47-88	Rope Guide	47	580 24 40-01	Blade, 22"	--	532 19 37-36	Operator's Manual, French
20	532 42 91-57	Rear Skirt	48	532 85 10-74	Washer, Hardened	--	532 19 37-43	Operator's Manual, Spanish
21	532 41 99-49	Spring, Rear Door, LH, Black	49	532 85 02-63	Washer, Helical	--	581 95 13-27	English / French
22	532 14 18-41	Screw, Panhead, Torx #20	50	532 85 10-84	Screw, Machine, Hex Head 3/8-24 x 1-3/8 Grade 8			
24	532 41 99-48	Spring, Rear Door, RH, Grey	51	532 43 05-99	Front Baffle			
25	532 40 91-48	Nut, Hex, Flanged	52	532 40 47-63	Decal, Danger			
26	532 41 99-45	Screw, Door/Handle Pivot	53	817 00 05-10	Screw, Hex Head			
27	581 01 03-02	Wheel & Tire Assembly, Rear	54	532 08 83-48	Washer, Flat			
28	872 27 05-05	Bolt, Carriage 5/16-18 x 5/8						
31	532 70 10-37	Selector Knob						

NOTE: All component dimensions given in U.S. inches. 1 inch = 25.4 mm. **IMPORTANT:** Use only Original Equipment Manufacturer (O.E.M.) replacement parts. Failure to do so could be hazardous, damage your lawn mower and void your warranty.

TONDEUSE À GAZON ROTATIVE KOBALT™ - NO DE MODÈLE 96148004300 (ITEM #0435666)



KOBALT™ ROTARY LAWN MOWER -- MODEL NUMBER 96148004300 (ITEM NUMBER 0435666)

KEY PART NO.	DESCRIPTION	KEY PART NO.	DESCRIPTION
1	579 70 89-09 Drive Control Assembly (Includes Cable)	29	532 40 91-48 Locknut, Hex
9	532 43 16-49 Cable, Drive Control	32	532 44 32-62 Drive Pulley
10	532 43 27-90 Mounting Bracket, Drive Control	33	532 42 66-09 V-Belt
11	581 00 92-02 Wheel & Tire Assembly, Front	35	532 43 11-44 Wheel Adjuster, Front, LH (Includes Bearing)
12	812 00 00-58 E-Ring	36	532 42 46-57 Gear Case Assembly, Complete
13	532 40 38-49 Pinion	38	532 19 17-30 Locknut, Hex 1/4-20
14	581 84 04-01 Dust Cover	40	532 40 65-58 Spring
15	532 40 48-45 Pawl, Drive	41	532 43 11-42 Wheel Adjuster, Front, RH (Includes Bearing)
16	532 06 77-25 Washer, Flat 3/8	54	580 94 73-12 Grassbag
18	532 70 10-37 Selector Knob	57	532 41 99-51 Frame, Grassbag
20	532 18 16-98 Screw	80	532 43 84-89 Water Washout Assembly
25	532 43 17-11 Belt Keeper	81	532 41 97-35 Fitting, Hose, Water Washout
26	532 16 94-09 Screw, Hi-Lo Thread #12 x 5/8	82	532 41 55-85 Washer, Lock, Internal Tooth
28	580 28 99-01 Drive Cover Assembly (Includes Mounting Screw and Pushnut)	83	532 41 55-86 Locknut, Hex, with O-Ring
		84	532 41 64-05 Adapter, Quick-Connect

NOTE: All component dimensions given in U.S. inches. 1 inch = 25.4 mm. **IMPORTANT:** Use only Original Equipment Manufacturer (O.E.M.) replacement parts. Failure to do so could be hazardous, damage your lawn mower and void your warranty.