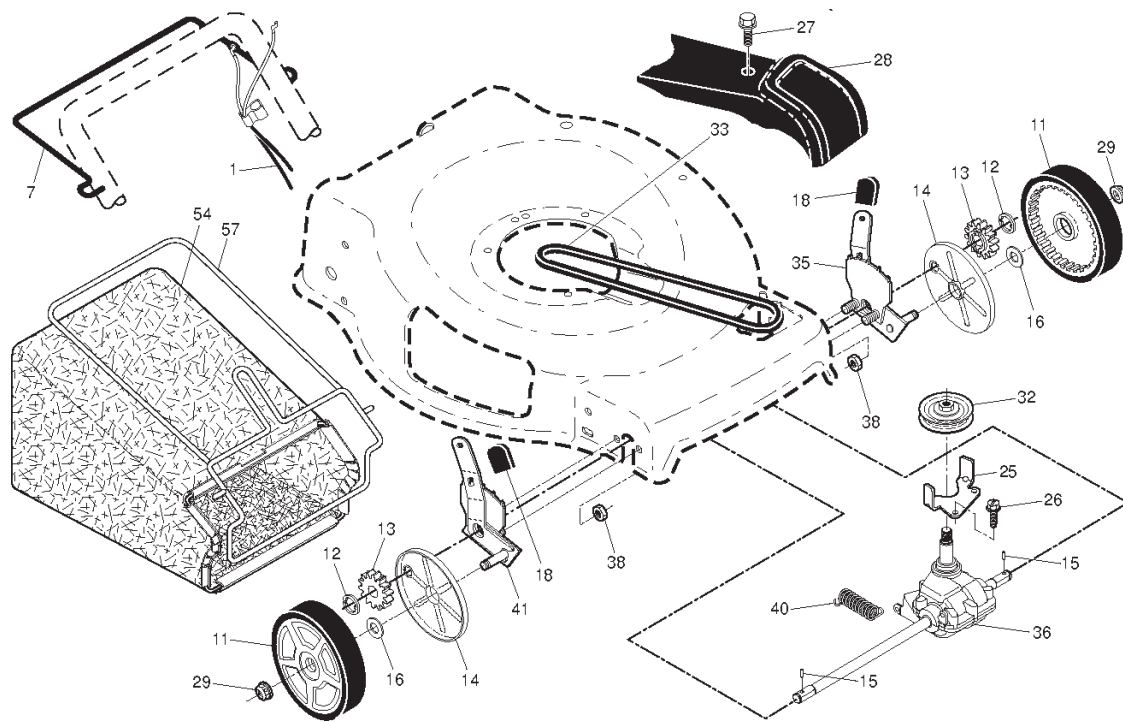




SPARE PARTS LIST

LAWN MOWERS: CONSUMER
WALK-BEHINDS

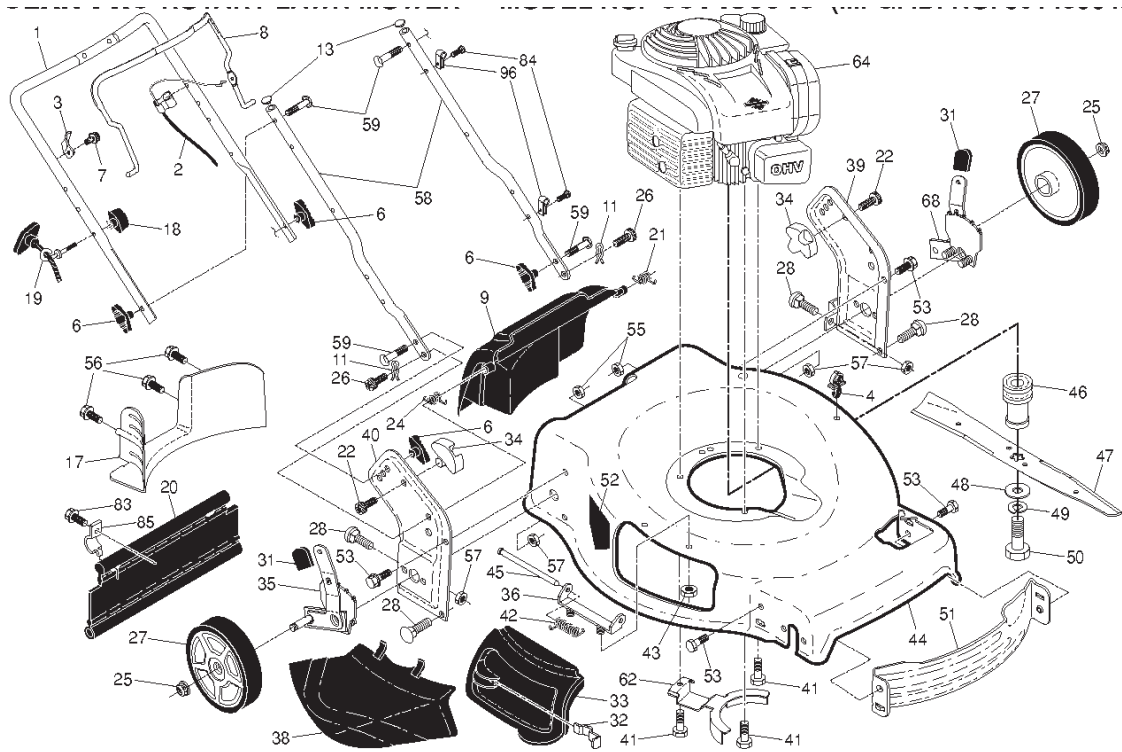
961480049, 96148004901, 2014-03



DRIVE

961480049, 96148004901, 2014-03

Ref	Part No	Description	Remark	QTY KIT
1	532 42 49-19	CABLE		1
7	532 43 52-81	BAIL		1
11	581 00 92-01	WHEEL ASSY		1
12	812 00 00-58	E-CLIP		1
13	532 40 38-49	PINION		1
14	581 84 04-01	DUST COVER		1
15	532 40 48-45	PAWL, DRIVE		1
16	532 06 77-25	WASHER		1
18	532 08 78-77	KNOB		1
25	532 43 17-11	BRACKET		1
26	532 16 34-09	SCREW		1
27	532 17 52-62	PAN HEAD TAPPING SCREW		1
28	532 42 10-86	DRIVE COVER		1
29	532 40 91-48	NUT		1
32	532 44 32-62	PULLEY		1
33	532 19 68-53	BELT		1
35	581 49 79-04	HEIGHT ADJUSTER	INCLUDES BEARING, KEY#17	1
36	532 42 47-41	GEARBOX		1
38	532 19 17-30	NUT		1
40	532 40 65-58	SPRING		1
41	581 49 79-03	HEIGHT ADJUSTER	INCLUDES BEARING, KEY #17	1
54	580 94 73-09	GRASS BAG ASSY		1
57	585 05 47-02	BAG FRAME		1



FRAME

961480049, 96148004901, 2014-03

Ref	Part No	Description	Remark	QTY KIT
1	532 42 77-38	HANDLE		1
2	532 42 09-39	STOP CABLE		1
3	532 43 00-34	BRACKET		1
4	532 14 50-06	CLIP		1
6	532 19 19-38	KNOB		1
7	532 17 88-48	SCREW		1
8	581 80 20-01	BAIL		1
9	532 42 10-84	DOOR ASY		1
11	532 42 55-75	HAIR PIN COTTER		1
13	532 43 75-16	PLUG		1
17	532 42 73-07	BAFFLE		1
18	581 91 26-01	KNOB		1
19	581 90 21-01	GUIDE		1
20	532 42 91-57	SKIRT		1
21	532 41 99-49	SPRING		1
22	532 14 18-41	SCREW		1
24	532 41 99-48	SPRING		1
25	532 40 91-48	NUT		1
26	532 41 99-45	SCREW		1
27	581 00 94-08	WHEEL ASSY		1
28	586 21 25-01	BOLT		1
31	532 08 78-77	KNOB		1
32	532 44 11-92	LATCH		1
33	532 43 26-42	MULCH DOOR		1
34	532 43 81-34	BRACKET		1
35	532 43 11-39	HEIGHT ADJUSTER	REAR, RIGHT	1
36	532 17 57-35	HINGE BRACKET ASSEMBLY		1
38	532 42 61-29	DEFLECTOR		1
39	585 90 07-02	BRACKET	LH	1
40	585 90 08-02	BRACKET	RH	1
41	532 15 04-06	BOLT		1
42	532 19 30-00	HINGE SPRING		1
43	532 19 17-30	NUT		1
44	581 70 83-05	HOUSING ASSY		1
45	532 17 56-50	ROD		1
46	581 35 24-01	ADAPTER		1
47	532 42 04-63	BLADE.22PLUS		1
48	532 85 10-74	WASHER		1
49	532 85 02-63	WASHER		1
50	532 85 10-84	SCREW		1
51	532 43 05-99	BAFFLE		1
52	532 40 47-63	DECAL		1
53	817 00 05-10	BOLT		1
55	532 19 17-30	NUT		1
56	817 41 13-12	SCREW		1
57	532 15 53-77	NUT		1
58	532 44 11-96	HANDLE		1
59	532 19 15-74	HANDLE BOLT		1
62	532 43 50-59	BRACKET		1
64	000 00 00-00	W/O DESCRIPTION	B&S 9P702-0163-F1 FOR SERVICE & PARTS 1-800-1 233-3723	1
68	532 43 11-38	HEIGHT ADJUSTER	REAR, LEFT	1
83	532 75 00-97	SCREW HEX HEAD RL508A/B		1
84	532 42 81-24	FASTENER		1
85	532 43 45-30	BRACKET		1
96	532 19 79-91	CLIP		1