

ILLUSTRATED PARTS LIST

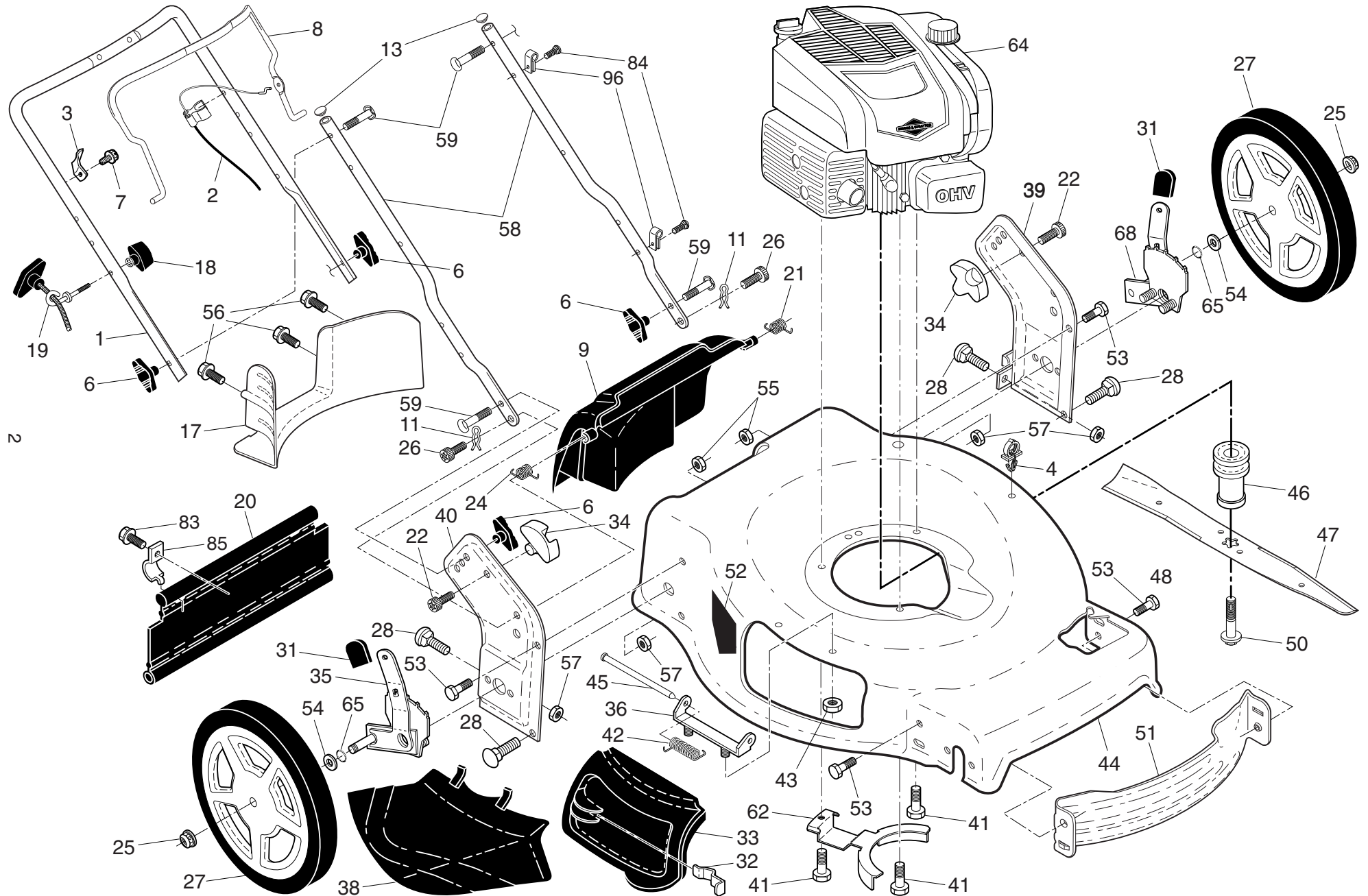


ROTARY LAWN MOWER

MODEL NUMBER: 961480058

MFG. ID. NUMBER: 96148005801

BRUTE ROTARY LAWN MOWER - - MODEL NUMBER 961480058 (MFG. ID. NUMBER 96148005801)



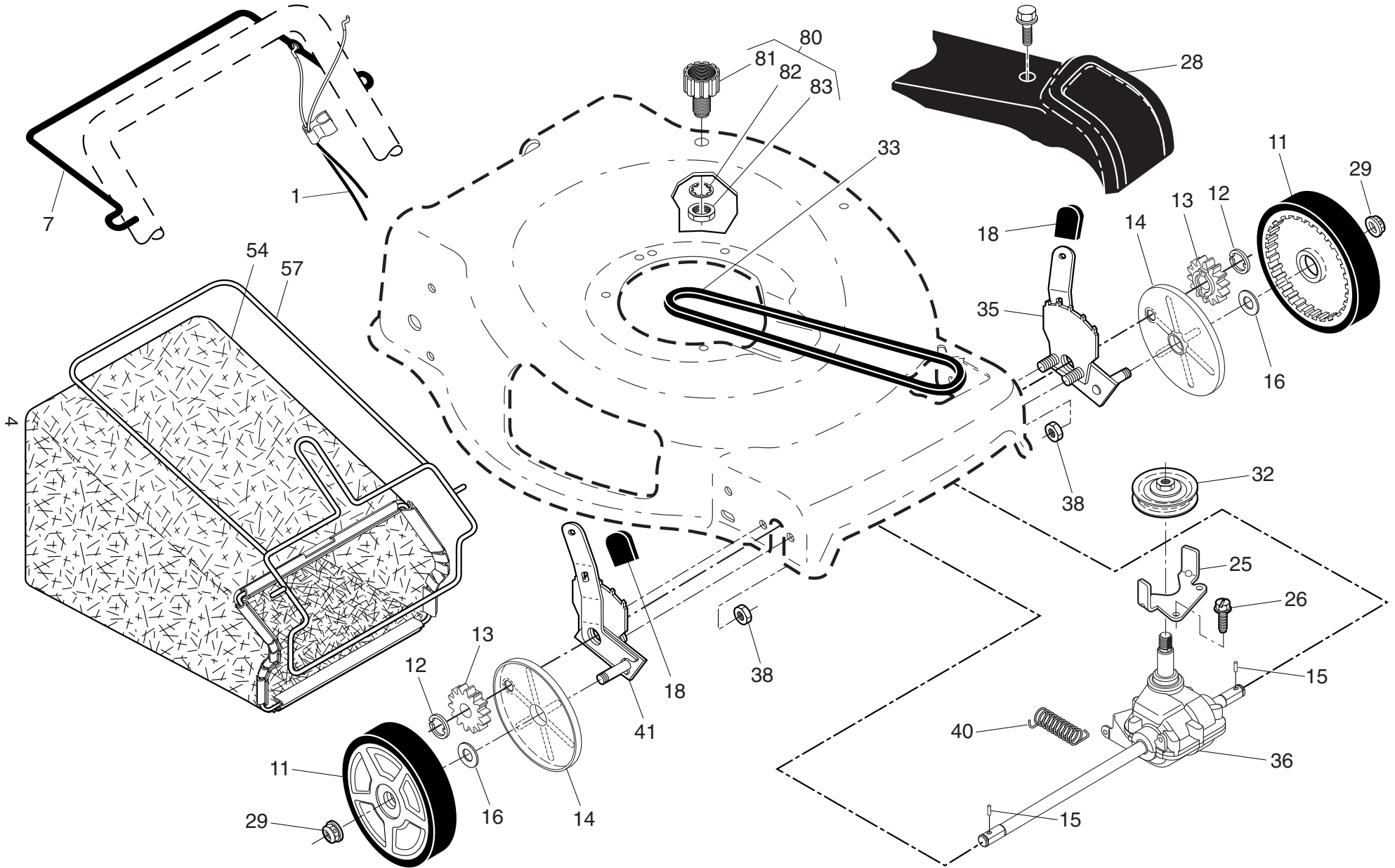
BRUTE ROTARY LAWN MOWER - - MODEL NUMBER 961480058 (MFG. ID. NUMBER 96148005801)

KEY NO.	PART NO.	DESCRIPTION	KEY NO.	PART NO.	DESCRIPTION
1	585 86 48-05	Upper Handle	43	532 19 17-30	Nut, Hex, Nylock
2	532 42 09-39	Engine Zone Control Cable	44	532 43 17-79	Kit, Lawn Mower Housing
3	532 43 00-34	Bracket, Upstop	45	532 17 56-50	Rod, Hinge
4	532 14 50-06	Guide, Cable	46	581 47 33-01	Blade Adapter / Pulley
6	532 19 19-38	Handle Knob	47	532 42 04-63	Blade, 22"
7	532 17 88-48	Screw, Hex Washer Head #10-16 x 5/8	50	532 43 53-45	Screw, Machine, Flanged Hex Head, with Nylon Patch, Grade 8, 3/8-24 x 1-1/8
8	583 87 24-01	Control Bar			
9	532 42 10-84	Rear Door Assembly	51	532 43 05-99	Front Baffle
11	532 42 55-75	Hairpin	52	532 18 21-66	Decal, Danger
13	532 43 75-16	Plug, Lower Handle Bar	53	817 00 05-10	Screw, Hex Head 5/16
17	532 42 73-07	Rear Baffle	54	532 08 83-48	Washer, Flat
18	581 91 26-01	T-Knob	55	532 19 17-30	Nut, Hex, Flanged 1/4-20
19	581 90 21-01	Rope Guide	56	817 41 13-12	Screw, Hex Washer Head #13 x 3/4
20	532 42 91-57	Rear Skirt			
21	532 41 99-49	Spring, Rear Door, LH, Black	57	532 15 53-77	Locknut, Hex 5/16-18
22	532 14 18-41	Screw, Pan Head, Torx #20	58	585 90 82-02	Bar, Lower Handle
24	532 41 99-48	Spring, Rear Door, RH, Grey	59	532 19 15-74	Handle Bolt
25	532 40 91-49	Nut, Hex, Flanged	62	532 43 50-59	Belt Retainer
26	532 41 99-45	Screw, Rear Door/Handle Pivot	64	---	Engine, Briggs & Stratton, Model Number 103M02-0008-F1 (For engine service and replacement parts, call Briggs & Stratton at 1-800-233-3723)
27	581 01 03-08	Wheel & Tire Assembly, Rear			
28	586 21 25-01	Bolt, Carriage 5/16-18 x 5/8			
31	532 70 10-37	Selector Knob			
32	532 44 11-92	Latch, Mulcher Door	65	532 19 74-80	O-Ring
33	532 43 26-42	Mulcher Door	68	532 43 11-41	Wheel Adjuster Assembly, LH (Includes Knob)
34	532 43 81-34	Pivot Bracket			
35	532 43 11-40	Wheel Adjuster Assembly, RH (Includes Knob)	83	532 75 00-97	Screw
36	532 17 57-35	Hinge Bracket Assembly	84	532 42 81-24	Fastener, Push
38	532 42 61-29	Discharge Deflector	85	532 43 45-30	Bracket, Skirt Mounting
39	585 90 07-02	Handle Bracket, LH	96	532 19 79-91	Clip, Cable
40	585 90 08-02	Handle Bracket, RH	--	532 42 38-49	Bag of Parts (Includes Key Numbers 6 and 59)
41	532 15 04-06	Screw, Dogpoint 3/8-16 x 1-1/8	--	115 58 78-27	Operator's Manual, English
42	532 19 30-00	Spring, Torsion	--	115 58 78-31	Operator's Manual, French

NOTE: All component dimensions given in U.S. inches. 1 inch = 25.4 mm

IMPORTANT: Use only Original Equipment Manufacturer (O.E.M.) replacement parts. Failure to do so could be hazardous, damage your lawn mower and void your warranty.

BRUTE ROTARY LAWN MOWER - - MODEL NUMBER 961480058 (MFG. ID. NUMBER 96148005800)



BRUTE ROTARY LAWN MOWER - - MODEL NUMBER 961480058 (MFG. ID. NUMBER 96148005800)

KEY NO.	PART NO.	DESCRIPTION
1	588 47 92-01	Cable, Drive Control
7	532 19 84-53	Control Bar, Drive
11	581 00 92-01	Wheel & Tire Assembly, Front
12	812 00 00-58	E-Ring
13	532 40 38-49	Pinion
14	581 84 04-01	Dust Cover
15	532 40 48-45	Pawl, Drive
16	532 06 77-25	Washer, Flat 3/8
18	532 70 10-37	Selector Knob
25	532 43 17-11	Belt Guide Bracket
26	532 16 34-09	Screw, Hi-Lo Thread #12 x 5/8
28	580 28 99-01	Drive Cover Assembly (Includes Mounting Screw and Pushnut)
29	532 40 91-48	Locknut, Hex

KEY NO.	PART NO.	DESCRIPTION
32	586 98 97-01	Drive Pulley
33	532 19 68-35	V-Belt
35	581 49 79-07	Wheel Adjuster Assembly, LH (Includes Bearing)
36	532 42 47-41	Gear Case Assembly, Complete
38	532 43 81-30	Locknut, Hex 1/4-20
40	532 40 65-58	Spring
41	581 49 79-08	Wheel Adjuster Assembly, RH (Includes Bearing)
54	580 94 73-13	Grassbag
57	585 05 47-02	Frame, Grassbag
80	532 42 11-14	Water Washout Assembly
81	532 41 97-35	Fitting, Hose, Water Washout
82	532 41 55-85	Washer, Lock, Internal Tooth
83	532 41 55-86	Locknut, Hex, with O-Ring

NOTE: All component dimensions given in U.S. inches. 1 inch = 25.4 mm

IMPORTANT: Use only Original Equipment Manufacturer (O.E.M.) replacement parts. Failure to do so could be hazardous, damage your lawn mower and void your warranty.