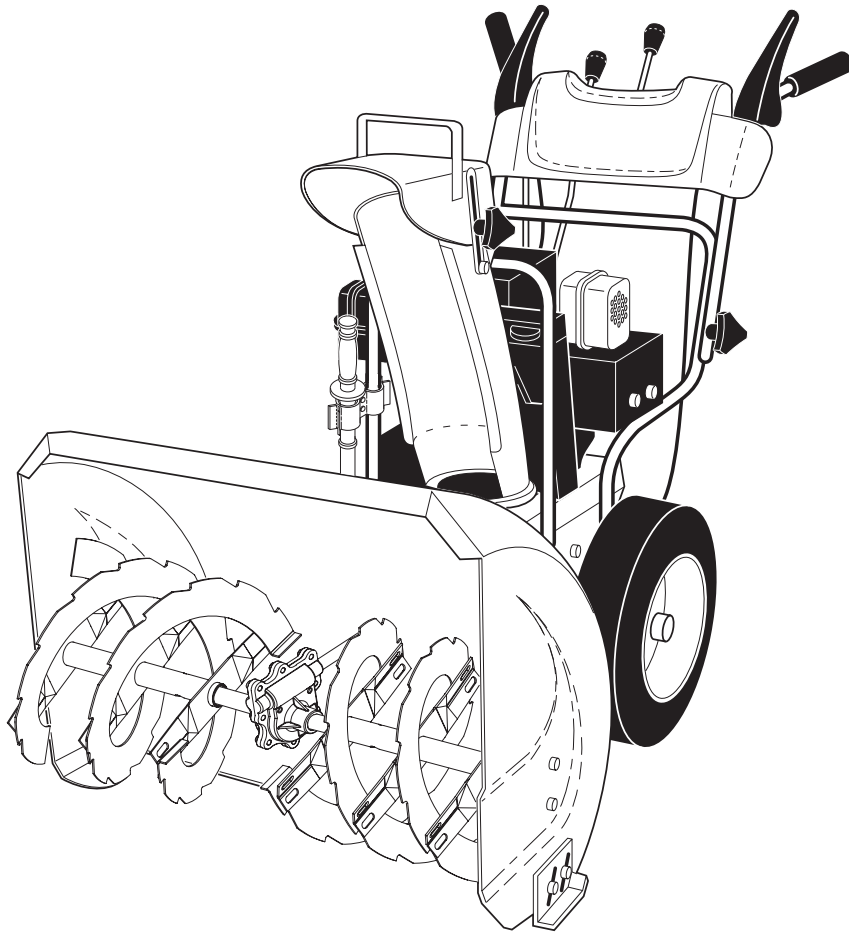


Poulan PRO



OWNER'S MANUAL

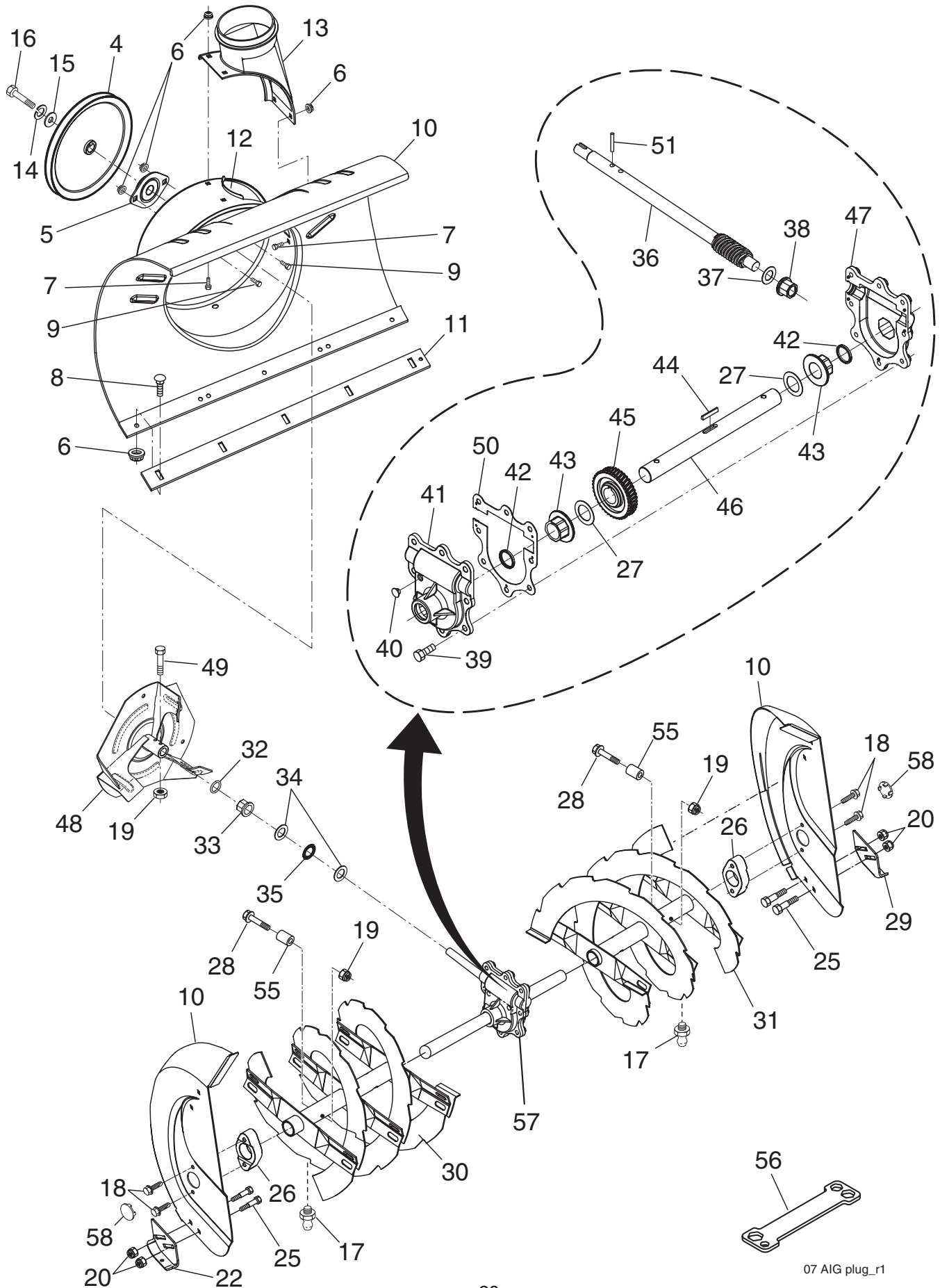
MODEL NUMBER:
PR5524ES
SNOW THROWER

⚠ WARNING:
Read the Owner's Manual and follow all Warnings and Safety Instructions. Failure to do so can result in serious injury.

Always Wear Eye Protection During Operation

415136 Rev 2 09.20.07 TH
Printed in the U.S.A.

REPAIR PARTS SNOW THROWER -- MODEL NO. PR5524ES (96192001601)
AUGER HOUSING / IMPELLER ASSEMBLY



07 AIG plug_r1

REPAIR PARTS SNOW THROWER - - MODEL NO. PR5524ES (96192001601)

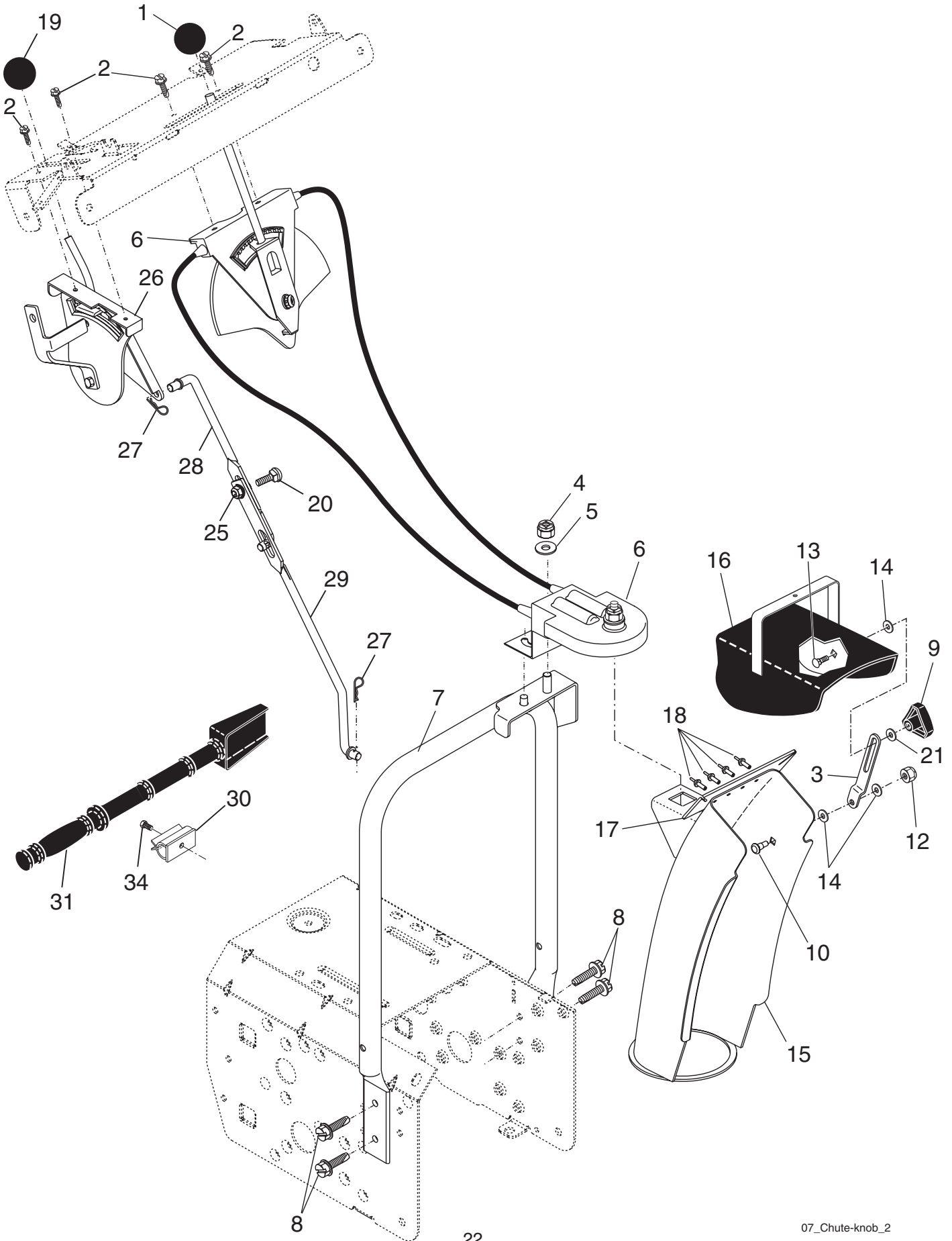
AUGER HOUSING / IMPELLER ASSEMBLY

KEY NO.	PART NO.	DESCRIPTION
4	191079	Pulley, Impeller
5	188909	Bearing Assembly, Flange
6	155377	Nut, Hex Flange 5/16-18
7	180355	Bolt, Flat Head, Carriage 5/16-18 x 5/8
8	72270505	Bolt, Carriage 5/16-18 x 5/8
9	163183	Bolt, Hex Head
10	404928X428	Housing, Auger
11	404931X479	Bar, Scraper
12	178675X008	Bracket, Corner Discharge
13	175322	Base, Discharge Chute
14	10040500	Washer, Lock 5/16
15	19111507	Washer, Flat
16	74940516	Screw, Hex Head 5/16-18 x 3/4
17	405637	Grease Fitting
18	179582	Screw, Hex Head 5/16 x 1
19	73800400	Nut, Hex Lock 1/4-20
20	155377	Nut, Hex Lock 5/16-18
22	178777X479	Skid Plate, RH
25	72270506	Bolt, Carriage 5/16-18 x 3/4
26	174658	Bearing, Auger
27	174697	Washer, Thrust, 1"
28	198636	Bolt, Shear
29	174762X479	Skid Plate, LH
30	405986X479	Auger Assembly, RH
31	405985X479	Auger Assembly, LH
32	407768	O-Ring
33	407769	Bushing, Flange 3/4
34	174681	Washer, Thrust 3/4
35	174684	Bearing, Thrust 3/4
36	407757	Shaft, Impeller
37	174683	Washer, Thrust 5/8
38	407758	Bushing, Flange 5/8
39	407767	Screw, Hex Head 5/16-18 x 3/4
40	407760	Plug, Case
41	407761	Housing, Gearbox, RH
42	407770	Seal, Oil
43	407762	Bushing, Flange, 1"
44	189282	Key, Square 1/4 x 1/4 x 7/8
45	407763	Gear, Worm
46	407764	Shaft, Auger
47	407765	Housing, Gearbox, LH
48	175321X479	Impeller Assembly
49	74780426	Screw, Hex Head 1/4-20 x 1-5/8
50	407766	Gasket, Gearbox
51	7836M	Pin, Roll 3/16 x 1-1/8
55	198638	Spacer
56	180684	Multi-Wrench
57	196710	Gearbox Assembly
58	411939	Plug Bearing Hole HSG

NOTE: All component dimensions given in U.S. inches. 1 inch = 25.4 mm
IMPORTANT: Use only Original Equipment Manufacturer (O.E.M.) replacement parts.
 Failure to do so could be hazardous, damage your snow thrower and void your warranty.

REPAIR PARTS SNOW THROWER - - MODEL NO. PR5524ES (96192001601)

CONTROL PANEL / DISCHARGE CHUTE

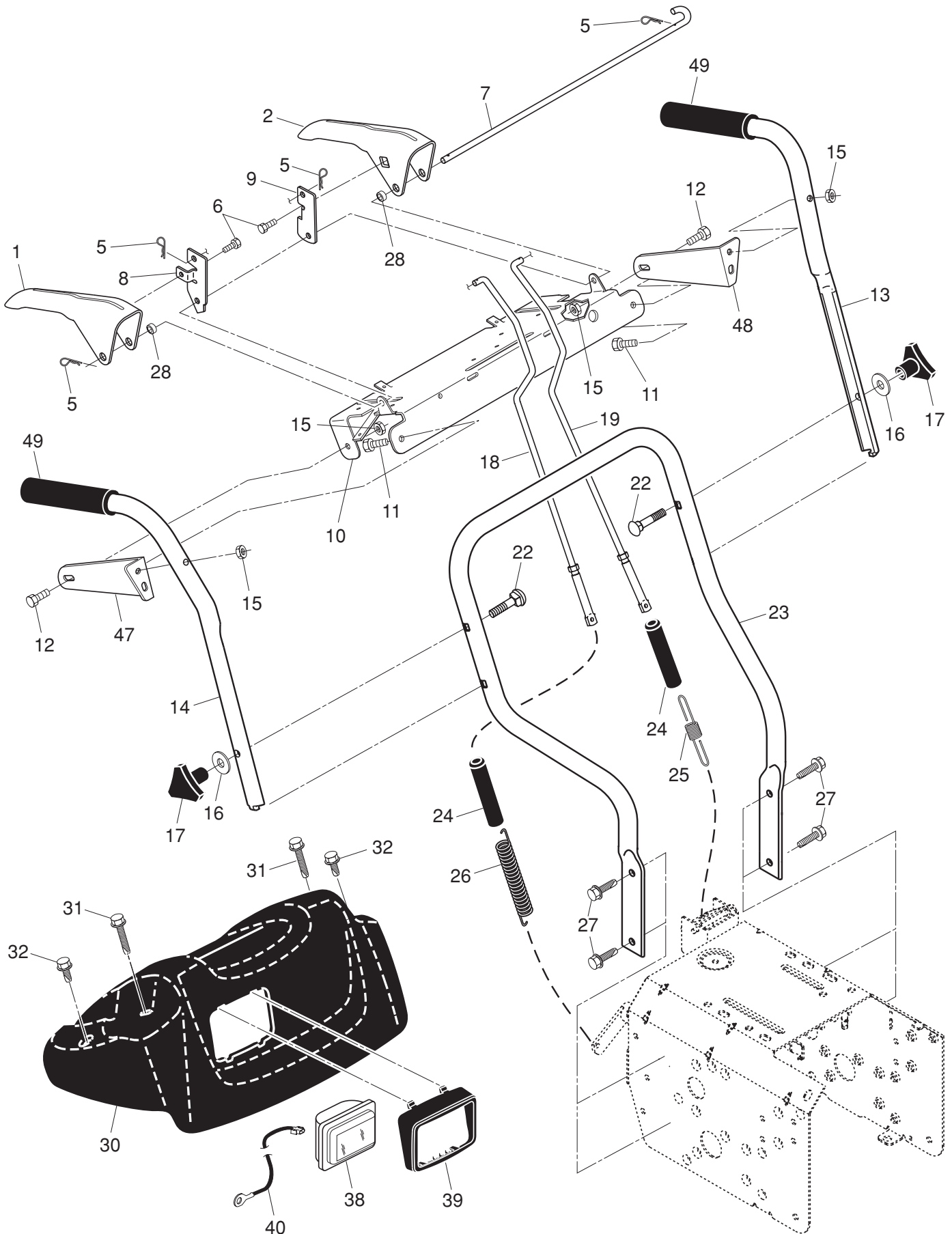


REPAIR PARTS SNOW THROWER - - MODEL NO. PR5524ES (96192001601)
CONTROL PANEL / DISCHARGE CHUTE

KEY NO.	PART NO.	DESCRIPTION
1	414280	Knob, Lever
2	17501010	Screw #10-24 x 5/8
3	179096X428	Strap, Slotted
4	73800600	Nut, Lock 3/8-16
5	19131316	Washer, Flat 3/8
6	404974	Control Assembly, Chute Rotater
7	405784X479	Support, Pivot
8	150078	Screw, Hex Head 5/16-18 x 3/4
9	189713X428	Knob, Deflector
10	185600	Bolt, Shoulder
12	191730	Nut, Lock 1/4-20
13	72270505	Bolt, Carriage 5/16-18 x 5/8
14	179246	Washer, Nylon
15	404770X428	Chute Assembly
16	178633X428	Deflector Assembly
17	179145	Seal, Deflector
18	128415	Rivet, Blind
19	414281	Knob, Speed Control Lever
20	72270506	Bolt, Carriage 5/16-18 x 3/4
21	155415	Washer, Flat
25	155377	Nut, Lock 5/16-18
26	198474	Lever Assembly, Speed Control
27	169675	Retainer, Hairpin
28	180445	Rod, Upper, Speed Control
29	187716	Rod, Lower, Speed Control
30	405400	Clamp, Clean-Out Tool
31	192199	Tool, Clean-Out
34	194189	Screw Hi-Lo 13-16 x 5/8

NOTE: All component dimensions given in U.S. inches. 1 inch = 25.4 mm
IMPORTANT: Use only Original Equipment Manufacturer (O.E.M.) replacement parts.
 Failure to do so could be hazardous, damage your snow thrower and void your warranty.

REPAIR PARTS SNOW THROWER - - MODEL NO. PR5524ES (96192001601) HANDLES



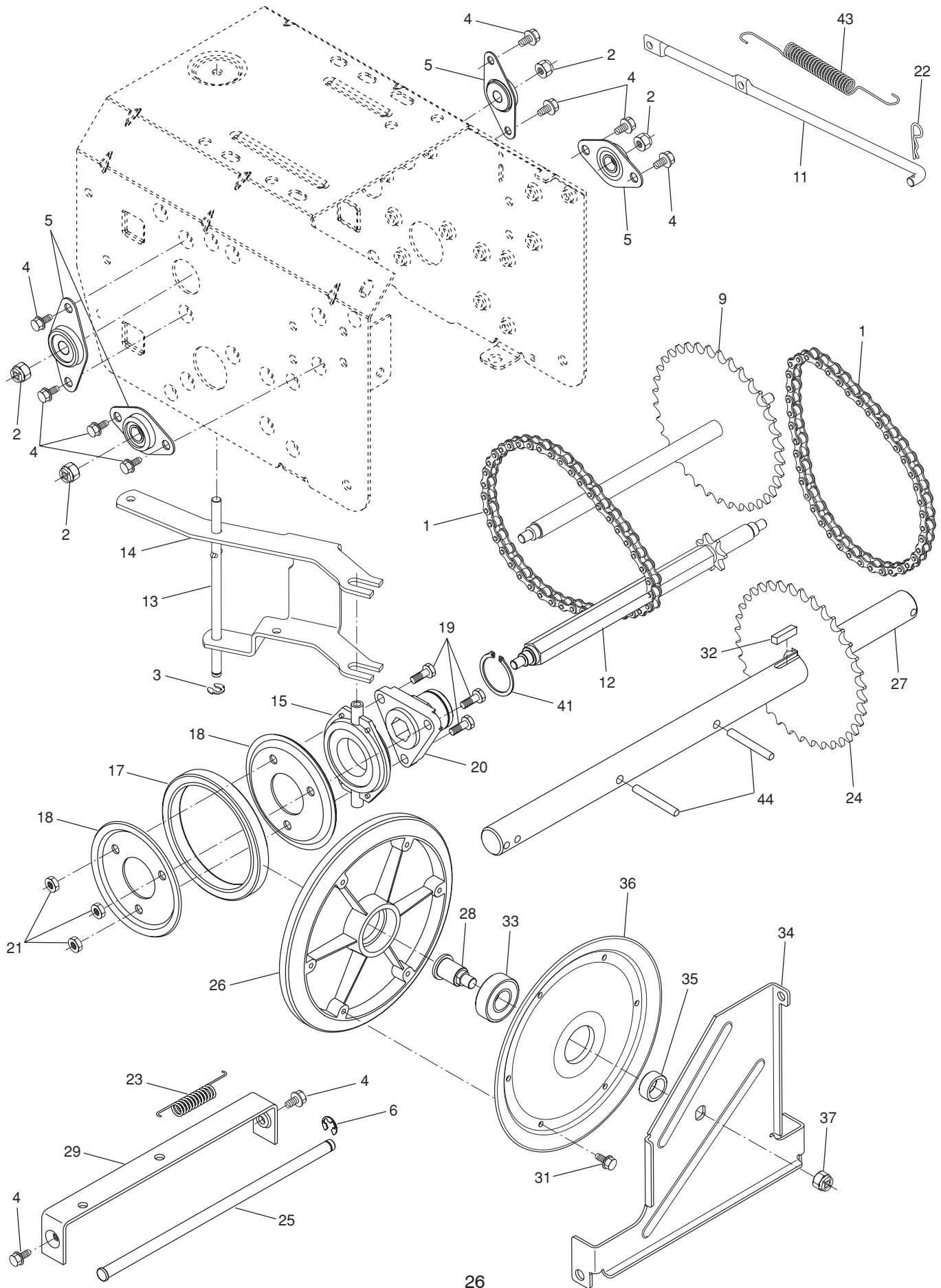
REPAIR PARTS SNOW THROWER - - MODEL NO. PR5524ES (96192001601) HANDLES

KEY NO.	PART NO.	DESCRIPTION
1	412682X479	Lever, Auger Control, RH
2	412681X479	Lever, Traction Drive Control, LH
5	169675	Retainer, Hairpin
6	17060408	Screw, Hex Head 1/4-20 x 1/2
7	412677	Bail, Interlock
8	196333X008	Arm, Impeller Rod
9	412679X008	Arm, Traction Rod
10	412683X479	Panel, Control
11	74780524	Screw, Hex Head 5/16-18 x 1-1/2
12	74780512	Screw, Hex Head 5/16-18
13	414517X479	Handle Tube, LH
14	414516X479	Handle Tube, RH
15	751153	Nut, Lock 5/16-18
16	19131316	Washer, Flat 3/8
17	178899	Knob, Handle
18	180480	Rod, Auger Control
19	405740	Rod, Traction Control
22	72120618	Bolt, Carriage 3/8-16 x 2-1/4
23	401940X479	Handle Tube, Lower
24	180447	Sleeve, Spring
25	180926	Spring, Traction Drive
26	178669	Spring, Auger Control
27	17000616	Screw, Hex Head 3/8-16 x 1
28	412680	Spacer
30	183346	Console, Panel
31	175262	Screw, Hex Head, Tapping #10-24 x 1-1/4
32	184471	Screw, Hex Head, Tapping #10-24 x 1/2
38	180927	Headlight Flood (Includes Bulb)
- -	183784	Bulb, Headlight, Flood
39	178668	Bezel Headlight
40	178770	Harness, Headlight (Flood)
47	196943	Mounting Bracket, Control Panel, RH
48	196944	Mounting Bracket, Control Panel, LH
49	199513	Grip, Handle

NOTE: All component dimensions given in U.S. inches. 1 inch = 25.4 mm
IMPORTANT: Use only Original Equipment Manufacturer (O.E.M.) replacement parts.
 Failure to do so could be hazardous, damage your snow thrower and void your warranty.

REPAIR PARTS SNOW THROWER - - MODEL NO. PR5524ES (96192001601)

DRIVE

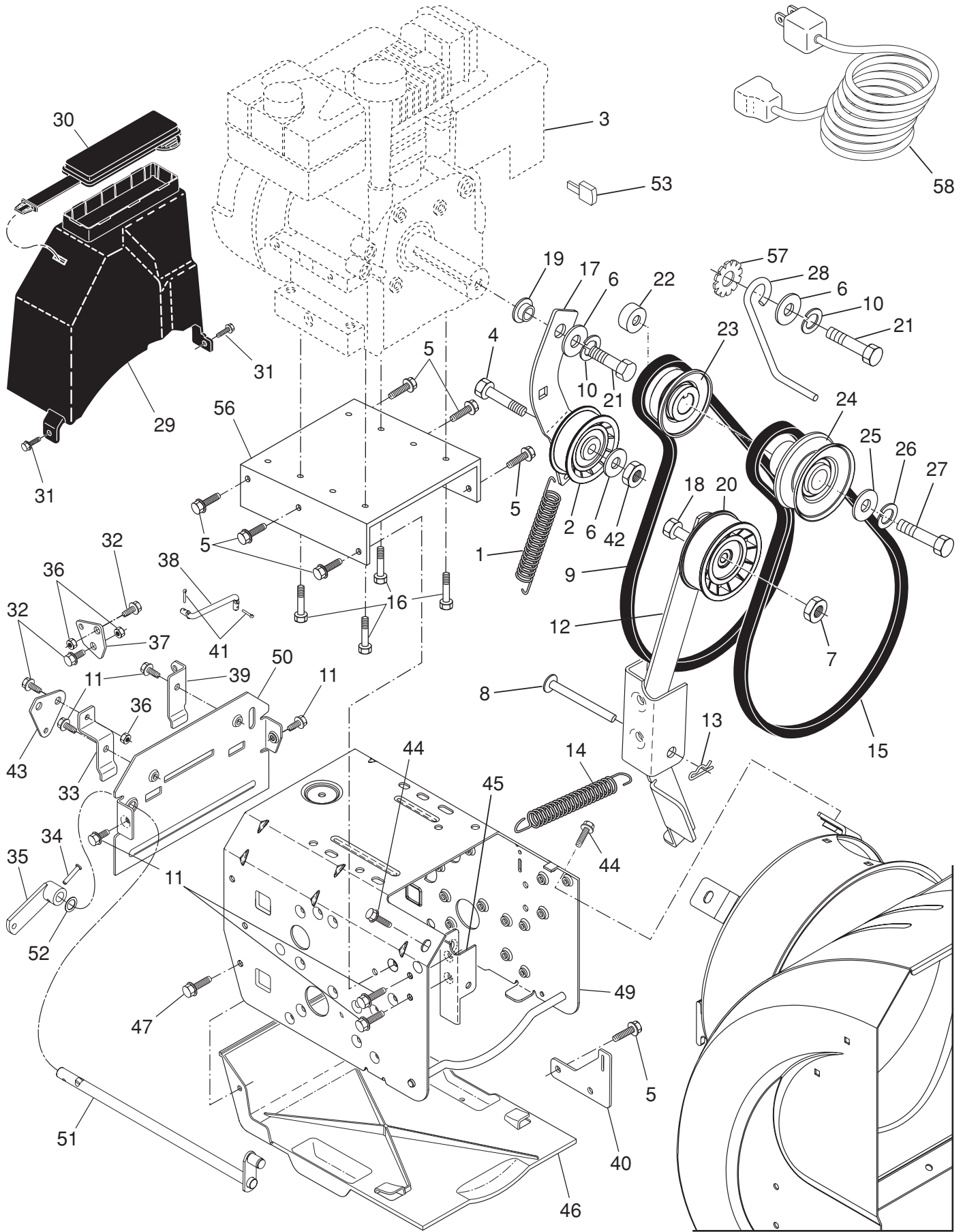


REPAIR PARTS SNOW THROWER - - MODEL NO. PR5524ES (96192001601) DRIVE

KEY NO.	PART NO.	DESCRIPTION
1	401619	Chain, Drive
2	751153	Nut, Lock 5/16-18
3	402882	Clip, Retainer
4	17490508	Bolt, Hex Head 5/16-18 x 1/2
5	408981	Bearing, Flange
6	12000007	E-Ring, Retainer
9	402855	Sprocket & Shaft Assembly
11	402568	Rod, Clutch
12	402187	Shaft, Hex
13	402310	Pivot Rod, Shifter
14	401732	Yoke, Shifter
15	175344	Trunnion Bearing Assembly
17	178613	Hub, Rubber Wheel
18	198176X479	Plate, Rubber Wheel
19	74760514	Screw, Hex Head 5/16-18 x 7/8
20	179831	Ring, Rubber Wheel
21	73930500	Nut, Lock 5/16-18
22	169675	Retainer, Hairpin
23	180135	Spring, Bias
24	402691	Sprocket, Axle Shaft
25	402652	Pivot Rod, Swing Plate
26	401820	Plate, Drive
27	179352	Axle Shaft Assembly
28	402504	Shaft, Friction Pulley
29	401984X479	Bracket, Shifter, Speed
31	17541008	Screw, Cap Head
32	189282	Key, Square
33	198791	Bearing, Ball
34	402394	Plate, Swing
35	402511	Spacer, Bearing
36	402393	Pulley, Friction
37	132010	Nut, Lock 3/8-16
41	12000012	Ring, Retaining
43	402878	Spring, Return
44	9465MI	Pin, Roll

NOTE: All component dimensions given in U.S. inches. 1 inch = 25.4 mm
IMPORTANT: Use only Original Equipment Manufacturer (O.E.M.) replacement parts.
 Failure to do so could be hazardous, damage your snow thrower and void your warranty.

REPAIR PARTS SNOW THROWER - - MODEL NO. PR5524ES (96192001601)
CHASSIS / ENGINE / PULLEYS



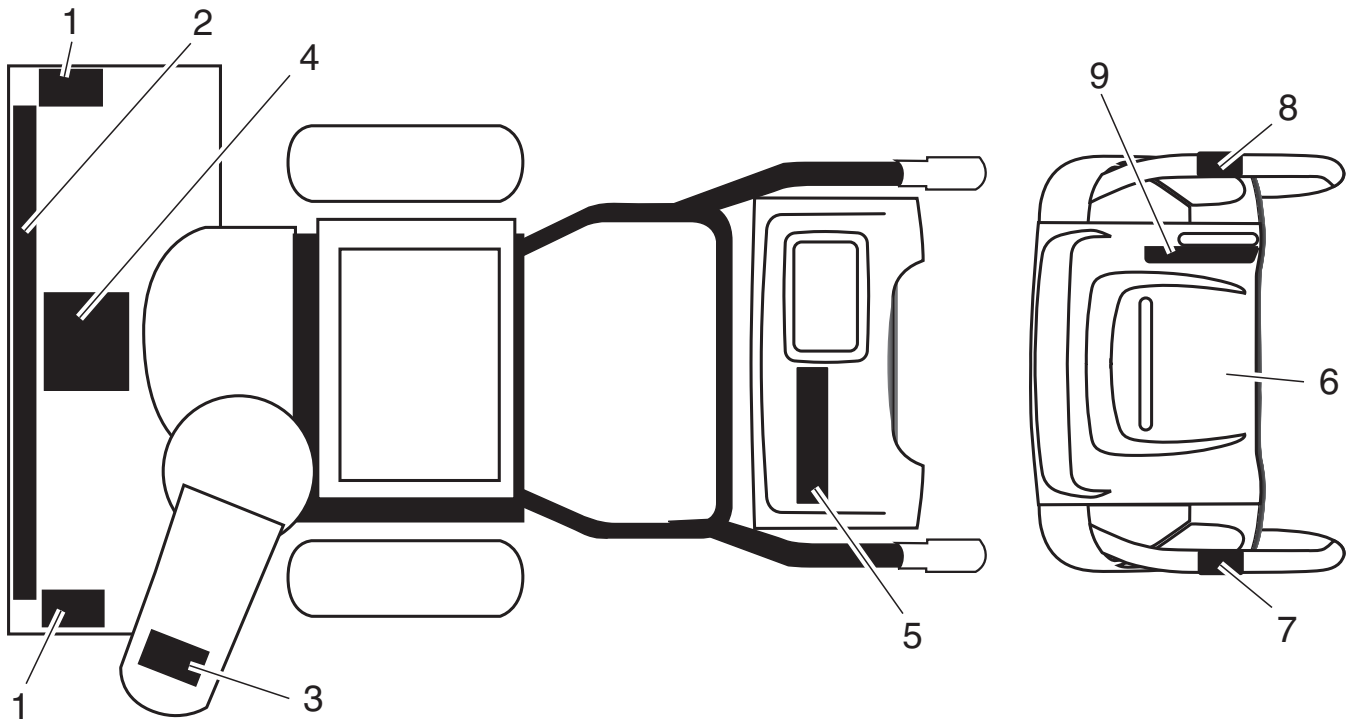
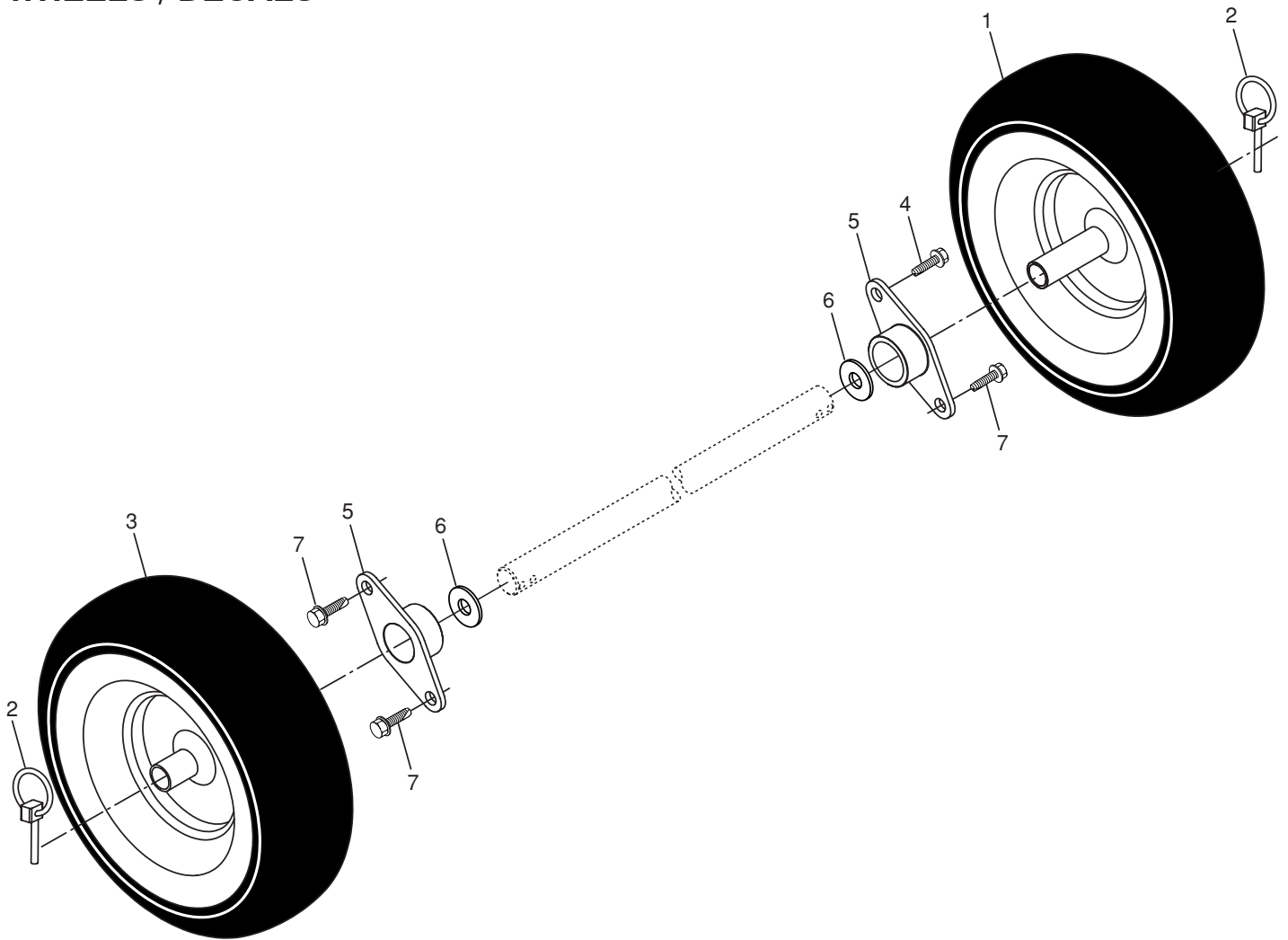
REPAIR PARTS SNOW THROWER - - MODEL NO. PR5524ES (96192001601)

CHASSIS / ENGINE / PULLEYS

KEY NO.	PART NO.	DESCRIPTION	KEY NO.	PART NO.	DESCRIPTION
1	414557	Spring, Traction Idler	28	155452	Guide, Belt
2	180522	Pulley, Idler (2-1/4)	29	192213	Belt Cover Assembly (Includes Toolbox Cover)
3	- - -	Engine, Tecumseh, Model Number LH195SP-67510D (For engine service and replacement parts, call Tecumseh Products at 1-800-558-5402)	30	178830	Cover Toolbox
4	74780520	Screw, Hex Head 5/16-18 x 1-1/4	31	17490408	Screw, Hex Head 1/4-20 x 1/2
5	150078	Screw	32	402881	Bolt, Shoulder 5/16-18
6	59289	Washer, Flat	33	403096X004	Bellcrank Shifter
7	166785	Nut, Jam, Lock 5/16-18	34	198580	Clevis Pin
8	175330	Pin, Idler Pivot	35	405485	Arm, Auger Control
9	416954	V-Belt, Traction Drive	36	191730	Locknut, Hex
10	10040500	Washer, Lock 5/16	37	402856X004	Plate, Clutch
11	17490508	Screw, Hex Washer Head 5/16-18 x 1/2	38	187101	Link, Speed Control
12	410420	Impeller Arm Assembly	39	416717X004	Bracket, Clutch
13	85179	Retainer, Hairpin	40	413429X479	Bracket, Traction
14	178828	Spring, Brake	41	700279	Hairpin, Cotter 3/32 x 1/2
15	408007	V-Belt, Impeller Drive	42	73930500	Locknut
16	150406	Screw, Hex Head 3/8-16 x 1-1/4	43	403097X004	Plate, Shifter
17	187786	Arm, Idler	44	17000616	Screw, Hex Head
18	74780524	Screw, Hex Head 5/16-18 x 1-1/2	45	175324X479	Pivot Bracket, Impeller Idler Arm
19	175331	Bushing, Idler Pivot	46	410877	Pan, Frame Bottom
20	180523	Pulley, Idler (2-3/4)	47	184471	Screw
21	74610516	Screw, Hex Head 5/16-24 x 1	49	409346X428	Frame Assembly
22	409475	Spacer, Engine Pulley	50	402685X428	Plate, Frame End
23	180478	Pulley, Engine, Traction Drive	51	406109	Shaft, Auger Control
24	179157	Pulley, Engine, Impeller Drive	52	57079	Washer, Hardened
25	400026	Washer, Flat 3/8	53	035062	Key, Safety
26	850263	Washer, Lock 3/8	56	417014X428	Plate, Engine Mounting
27	851084	Screw, Hex Head 3/8-24 x 1-3/8	57	11050500	Washer, Lock, External Tooth
			58	198563	Power Cord

NOTE: All component dimensions given in U.S. inches. 1 inch = 25.4 mm
IMPORTANT: Use only Original Equipment Manufacturer (O.E.M.) replacement parts.
 Failure to do so could be hazardous, damage your snow thrower and void your warranty.

REPAIR PARTS SNOW THROWER - - MODEL NO. PR5524ES (96192001601)
WHEELS / DECALS



REPAIR PARTS SNOW THROWER - - MODEL NO. PR5524ES (96192001601)

WHEELS / DECALS

KEY NO.	PART NO.	DESCRIPTION
1	187831X421	Wheel Assembly, 13", LH
2	155443	Pin, Klik 1/4
3	187866X421	Wheel Assembly, 13", RH
4	146315	Screw, Hex Head 5/16-18 x 3/4
5	179830	Bearing, Axle
6	174697	Washer, Thrust (1")
7	17490508	Bolt

KEY NO.	PART NO.	DESCRIPTION
1	181037	Decal, Danger
2	187899	Decal, Poulan Pro, 5.5 HP / 24"
3	181035	Decal, Danger, Deflector
4	181042	Decal, Danger
5	187898	Decal, Poulan Pro
6	181033	Decal, Instruction
7	415391	Decal, Traction Lever
8	415390	Decal, Auger Lever
9	415475	Decal, Speed Control
--	415136	Owner's Manual, English
--	415137	Owner's Manual, French

NOTE: All component dimensions given in U.S. inches. 1 inch = 25.4 mm
IMPORTANT: Use only Original Equipment Manufacturer (O.E.M.) replacement parts.
 Failure to do so could be hazardous, damage your snow thrower and void your warranty.

LIMITED WARRANTY

The Manufacturer warrants to the original consumer purchaser that this product as manufactured is free from defects in materials and workmanship. For a period of two (2) years from date of purchase by the original consumer purchaser, we will repair or replace, at our option, without charge for parts or labor incurred in replacing parts, any part which we find to be defective due to materials or workmanship. This Warranty is subject to the following limitations and exclusions.

1. This warranty does not apply to the engine or components parts thereof. Please refer to the applicable manufacturer's warranty on these items.
2. Transportation charges for the movement of any power equipment unit or attachment are the responsibility of the purchaser. Transportation charges for any parts submitted for replacement under this warranty must be paid by the purchaser unless such return is requested by the manufacturer.
3. The Warranty period for any products used for rental or commercial purposes is limited to 90 days from the date of original purchase.
4. This Warranty applies only to products which have been properly assembled, adjusted, operated, and maintained in accordance with the instructions furnished. This Warranty does not apply to any product which has been subjected to alteration, misuse, abuse, improper assembly or installation, delivery damage, or to normal wear of the product.
5. Exclusions: Excluded from this Warranty are belts, shear pins, normal wear, normal adjustments, standard hardware and normal maintenance.
6. In the event you have a claim under this Warranty, you must return the product to an authorized service dealer.

Should you have any unanswered questions concerning this Warranty, please contact:

Poulan Pro
Customer Service Department
1030 Stevens Creek Road
Augusta, GA 30907 USA

In Canada contact:
Poulan Pro, Customer Service Department
5855 Terry Fox Way
Mississauga, Ontario
L5V 3E4

giving the complete mfg. ID#, serial number and date of purchase of your product and the name and address of the authorized dealer from whom it was purchased.

THIS WARRANTY DOES NOT APPLY TO INCIDENTAL OR CONSEQUENTIAL DAMAGES AND ANY IMPLIED WARRANTIES ARE LIMITED TO THE SAME TIME PERIODS STATED HEREIN FOR OUR EXPRESSED WARRANTIES. Some areas do not allow the limitation of consequential damages or limitations of how long an implied Warranty may last, so the above limitations or exclusions may not apply to you. This Warranty gives you specific legal rights, and you may have other rights which vary from locale to locale.

This is a limited Warranty within the meaning of that term as defined in the Magnuson-Moss Act of 1975.

Poulan PRO