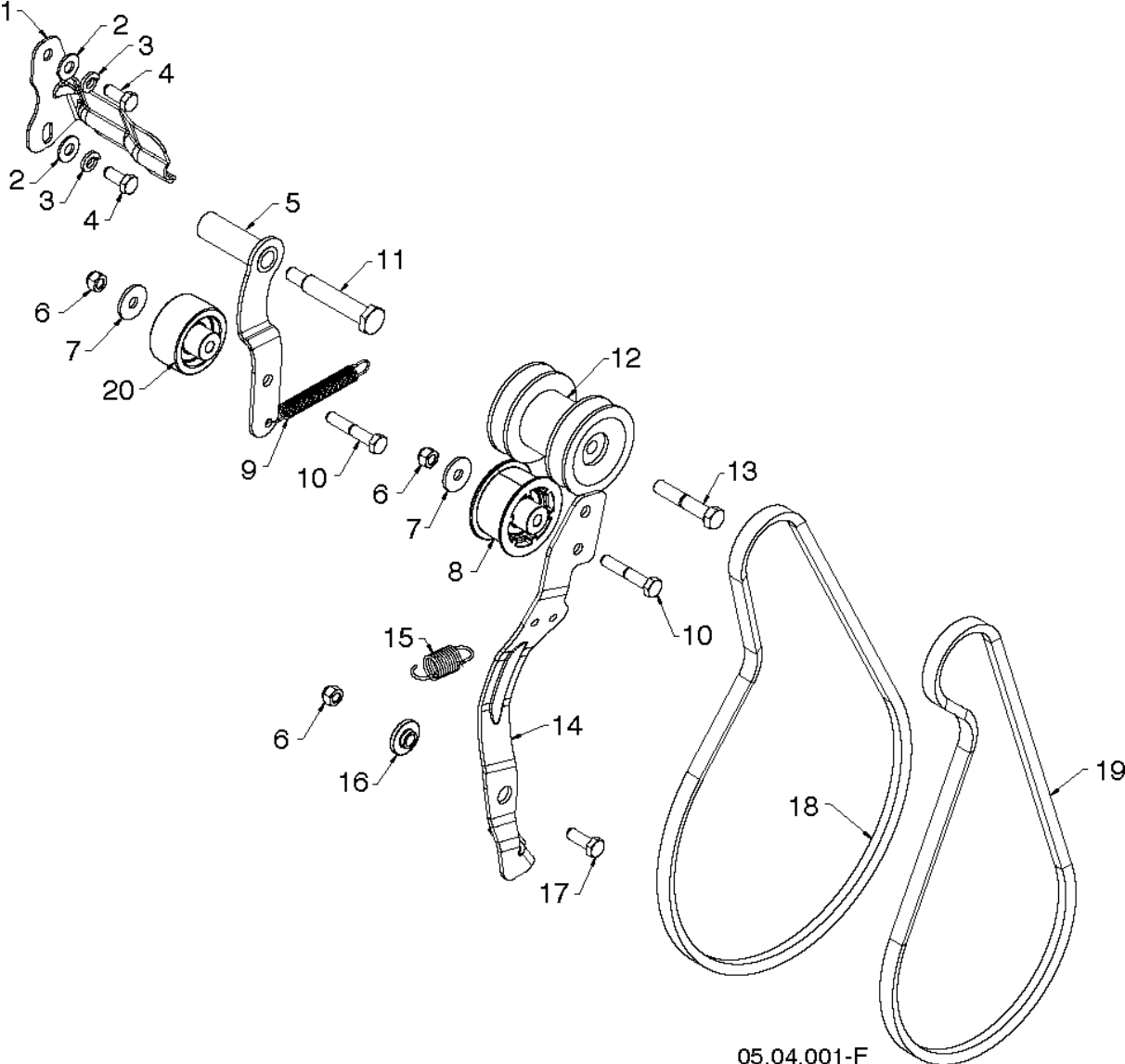




SPARE PARTS LIST

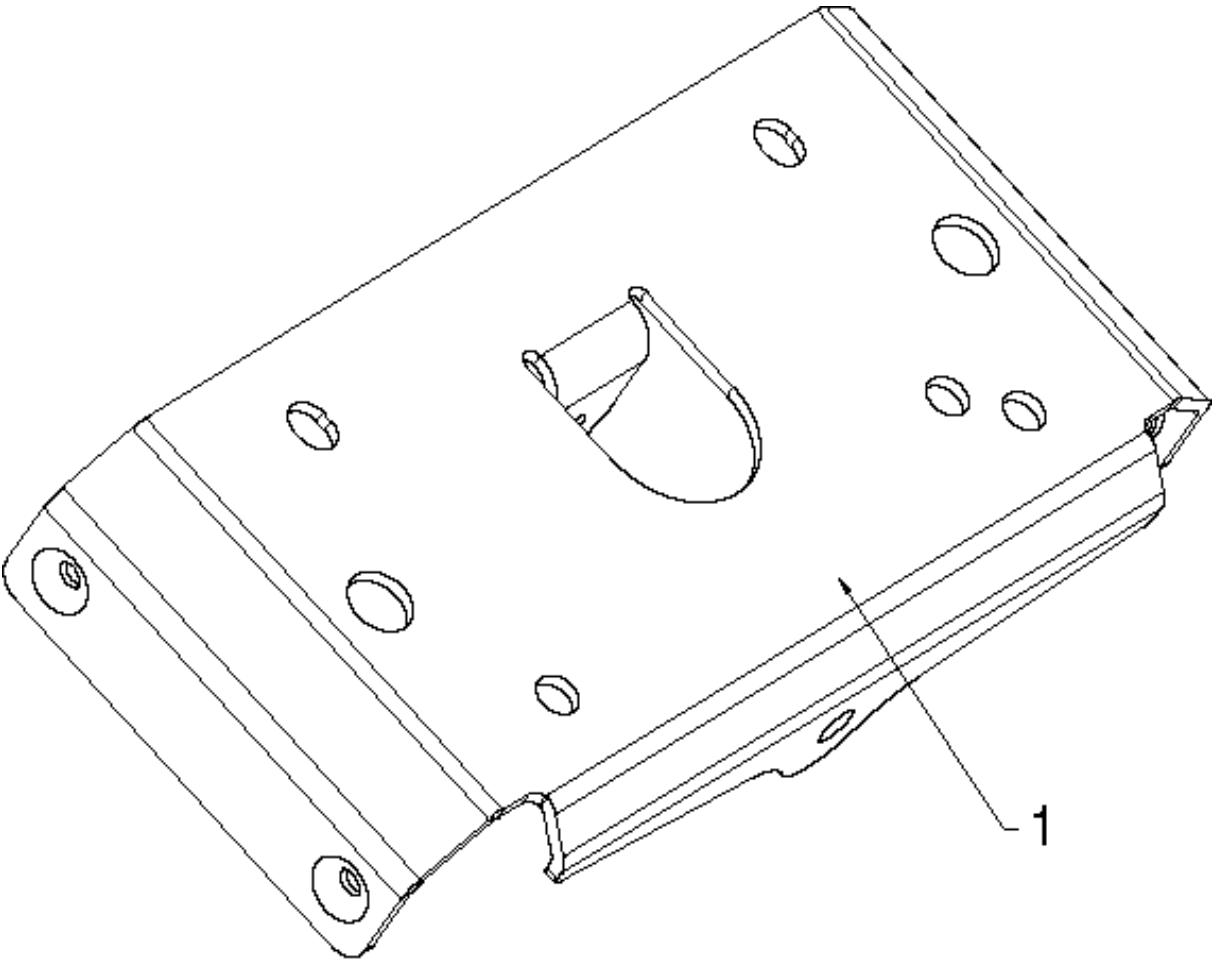
SNOW BLOWERS/THROWERS

PR271, 96192007301, 2014-05



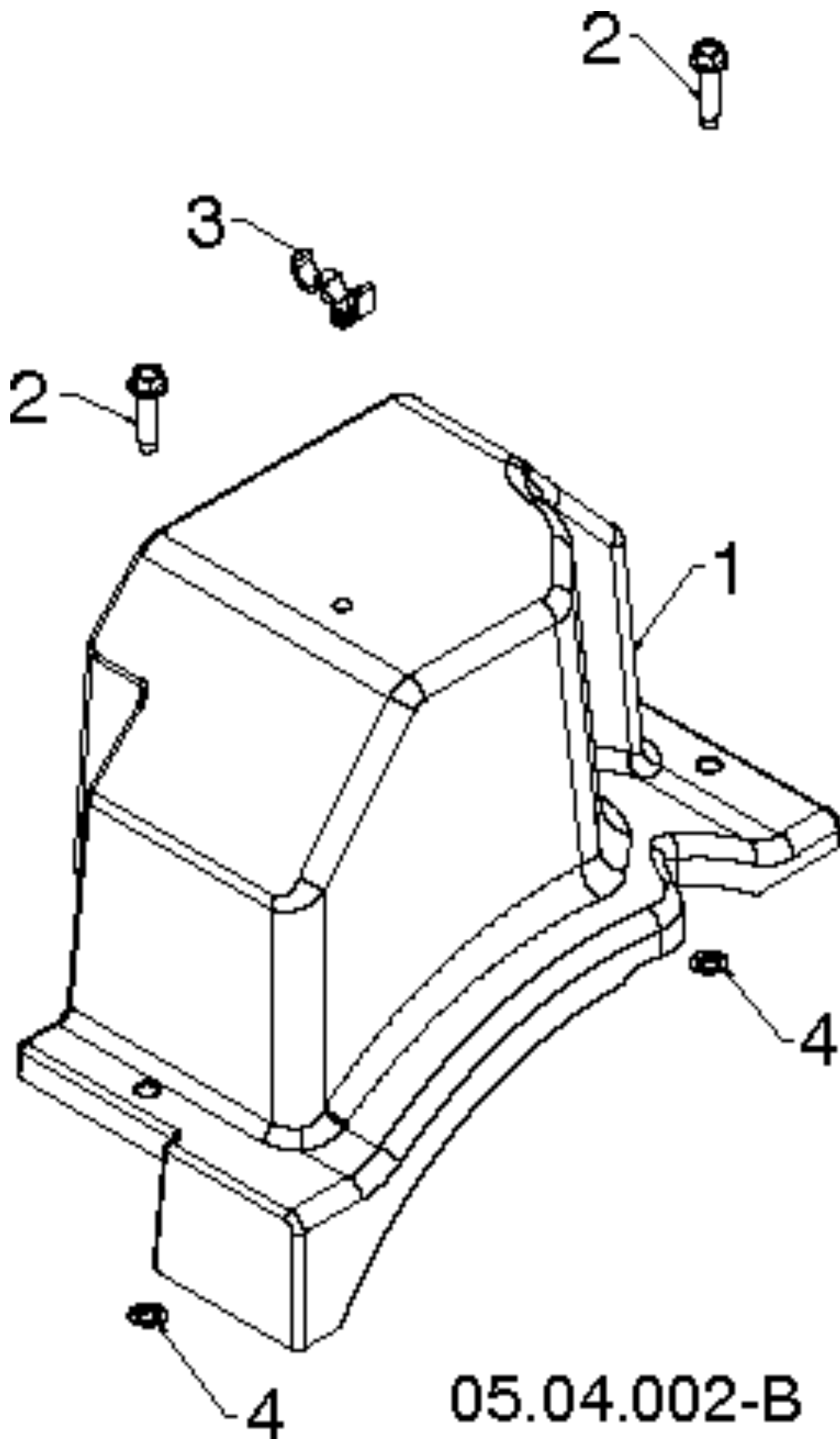
05.04.001-F

Ref	Part No	Description	Remark	QTY KIT
1	581 62 37-02	BRACKET		1
2	819 11 12-16	WASHER		1
3	810 04 05-00	WASHER		1
4	874 61 05-12	SCREW		1
5	581 33 82-03	ARM		1
6	873 80 05-00	LOCK NUT		1
7	532 05 92-89	WASHER		1
8	581 14 14-01	PULLEY		1
9	580 75 30-01	SPRING		1
10	874 76 05-28	BOLT		1
11	581 41 38-01	BOLT		1
12	587 46 29-01	PULLEY		1
13	532 17 96-17	SCREW		1
14	580 83 11-04	BRACKET		1
15	587 03 12-01	SPRING		1
16	587 34 37-01	BUSHING		1
17	874 76 05-14	BOLT		1
18	584 21 61-01	BELT		1
19	581 83 24-01	BELT		1
20	586 88 02-01	PULLEY		1



05.01.002-A

Ref	Part No	Description	Remark	QTY KIT
1	583 94 05-02	BRACKET		1

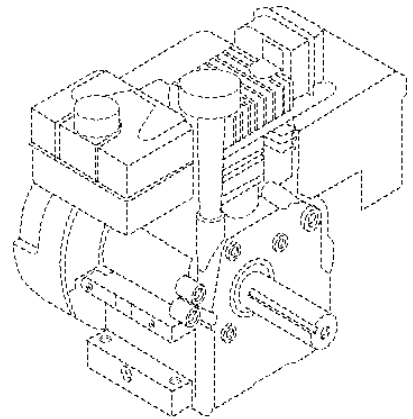
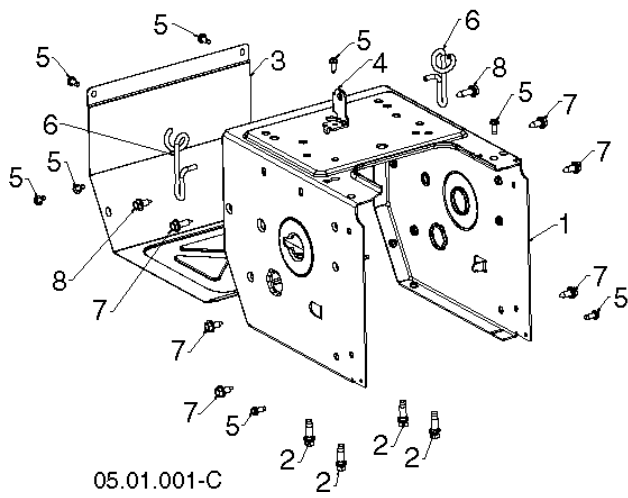


05.04.002-B

"CHASSIS, ENGINE & PULLEYS"

PR271, 96192007301, 2014-05

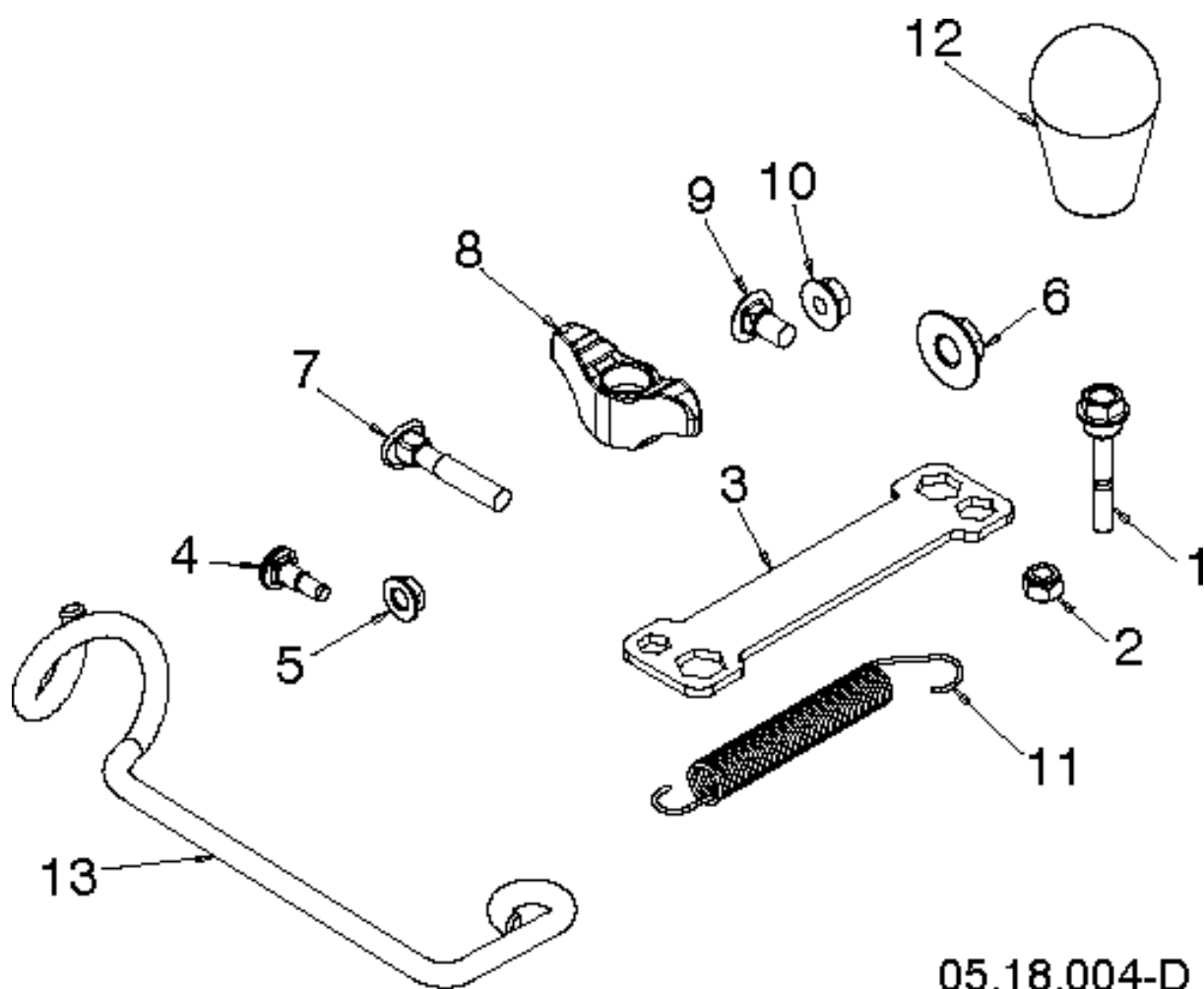
Ref	Part No	Description	Remark	QTY KIT
1	587 10 54-01	COVER		1
2	585 69 11-01	SCREW		1
3	532 14 50-06	CLIP		1
4	532 42 30-62	NUT		1



"CHASSIS, ENGINE & PULLEYS"

PR271, 96192007301, 2014-05

Ref	Part No	Description	Remark	QTY KIT
	580 42 60-06	ENGINE	PW2HK18650178E	1
1	580 83 94-03	FRAME		1
2	532 15 04-06	BOLT		1
3	580 83 95-03	COVER		1
4	581 12 24-02	BRACKET		1
5	817 06 04-10	SCREW		1
6	585 20 60-01	SUPPORT		1
7	532 42 88-67	BOLT		1
8	585 21 75-01	SCREW		1

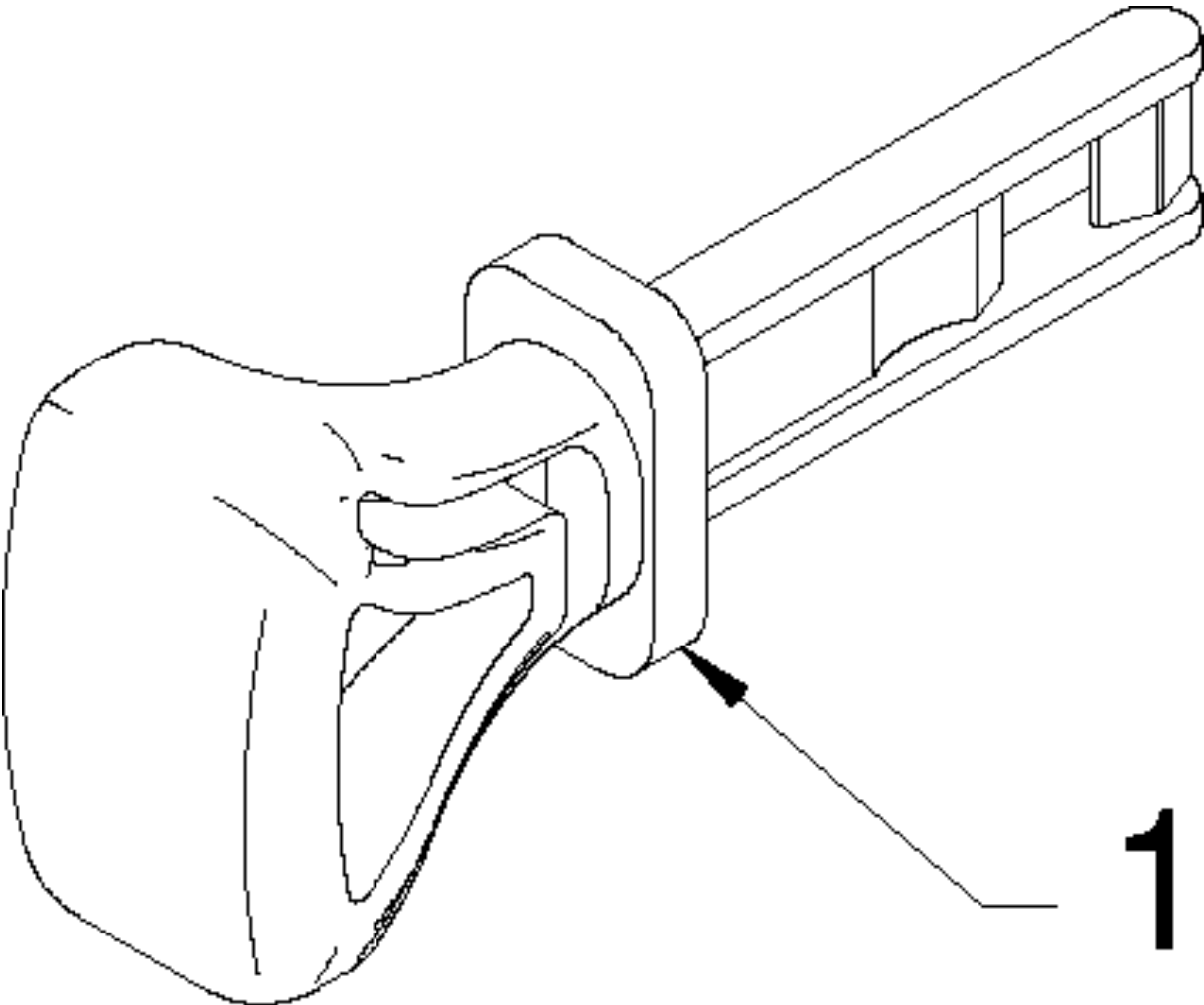


05.18.004-D

ACCESSORIES

PR271, 96192007301, 2014-05

Ref	Part No	Description	Remark	QTY KIT
1	585 51 18-01	SCREW		1
2	873 80 04-00	NUT		1
3	532 42 91-12	WRENCH		1
4	585 83 22-01	BOLT		1
5	585 69 14-01	NUT		1
6	585 69 10-01	NUT		1
7	587 35 90-01	BOLT		1
8	532 19 19-38	KNOB		1
9	585 83 20-01	BOLT		1
10	873 97 05-00	NUT		1
11	532 18 45-05	SPRING		1
12	581 69 75-01	KNOB		1
13	581 89 73-01	SUPPORT		1
	587 42 10-04	BAG	NOT SHOWN	1

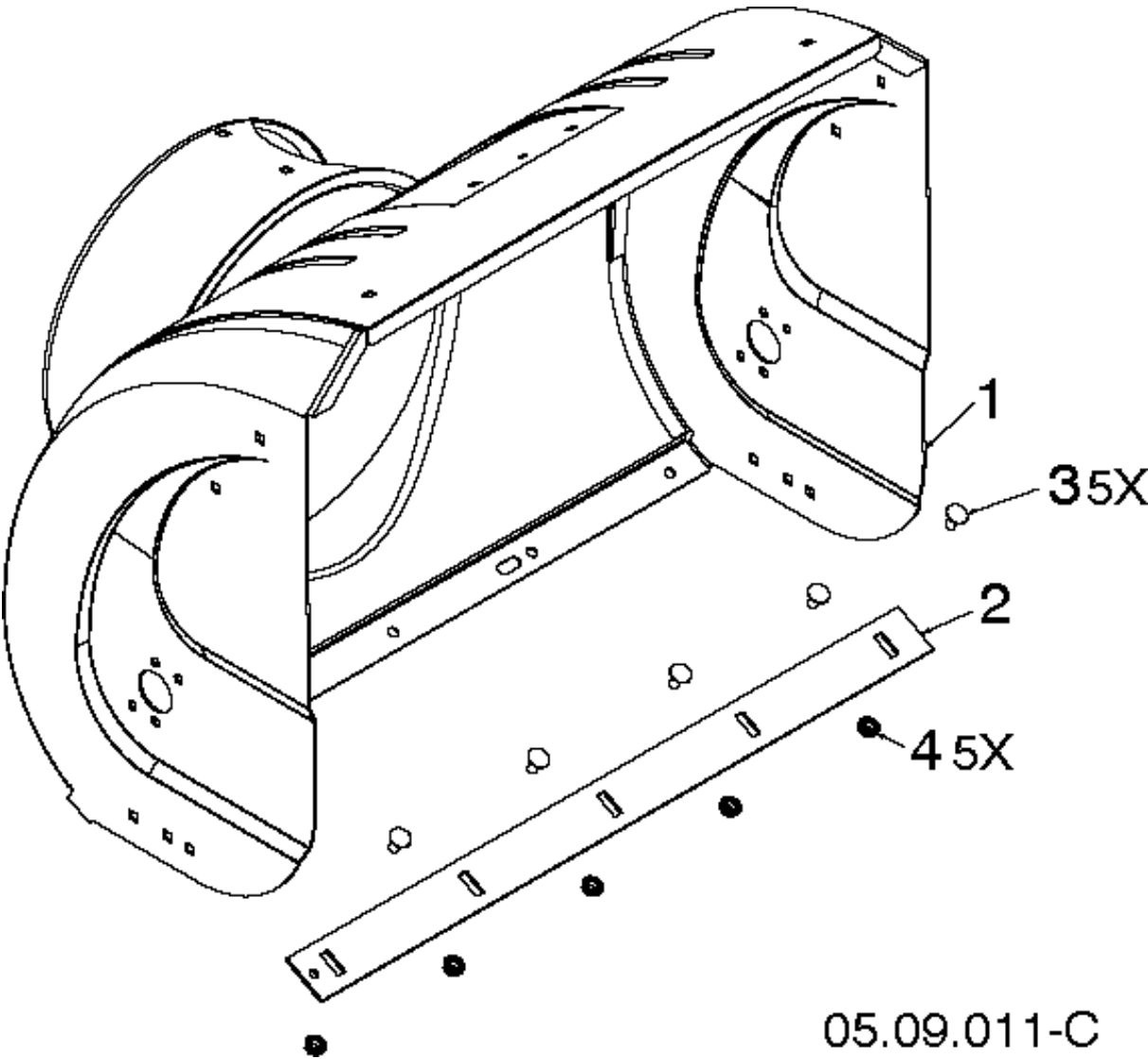


01.14.009-B

ACCESSORIES

PR271, 96192007301, 2014-05

Ref	Part No	Description	Remark	QTY KIT
1	532 44 30-59	KIT		1

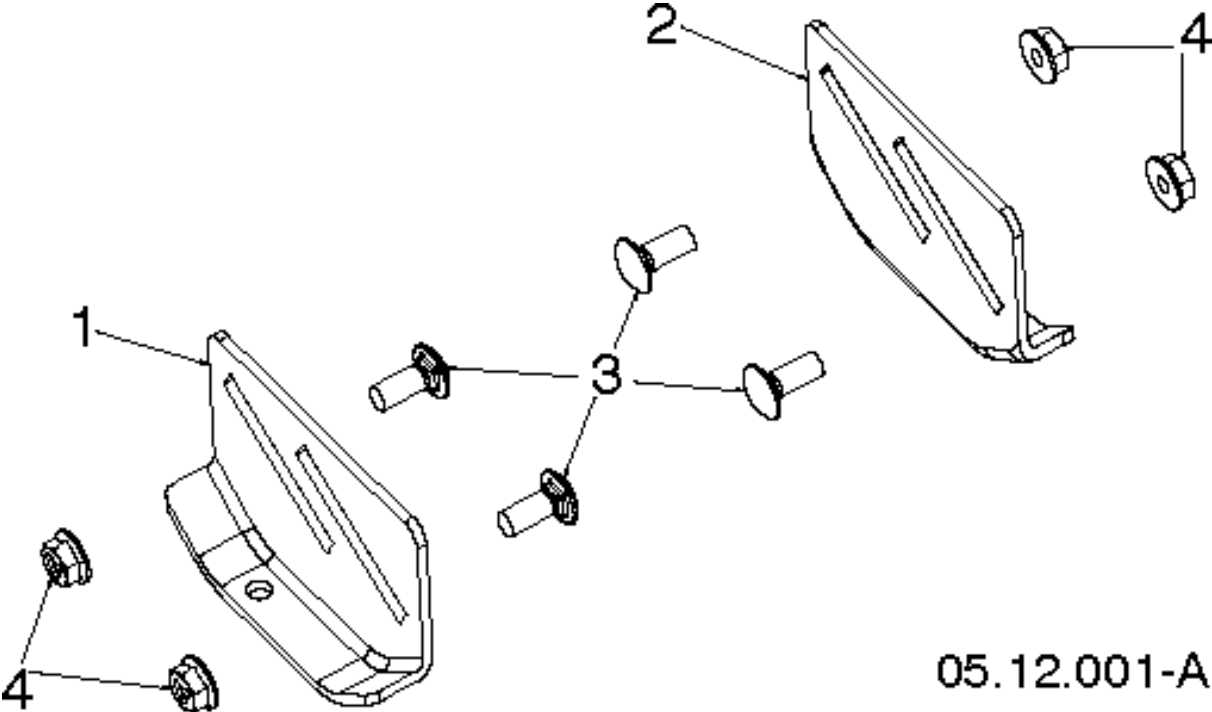


05.09.011-C

AUGER HOUSING & IMPELLER

PR271, 96192007301, 2014-05

Ref	Part No	Description	Remark	QTY KIT
1	581 63 74-02	HOUSING		1
2	532 40 77-27	BAR		1
3	872 27 05-05	BOLT		1
4	532 15 53-77	NUT		1

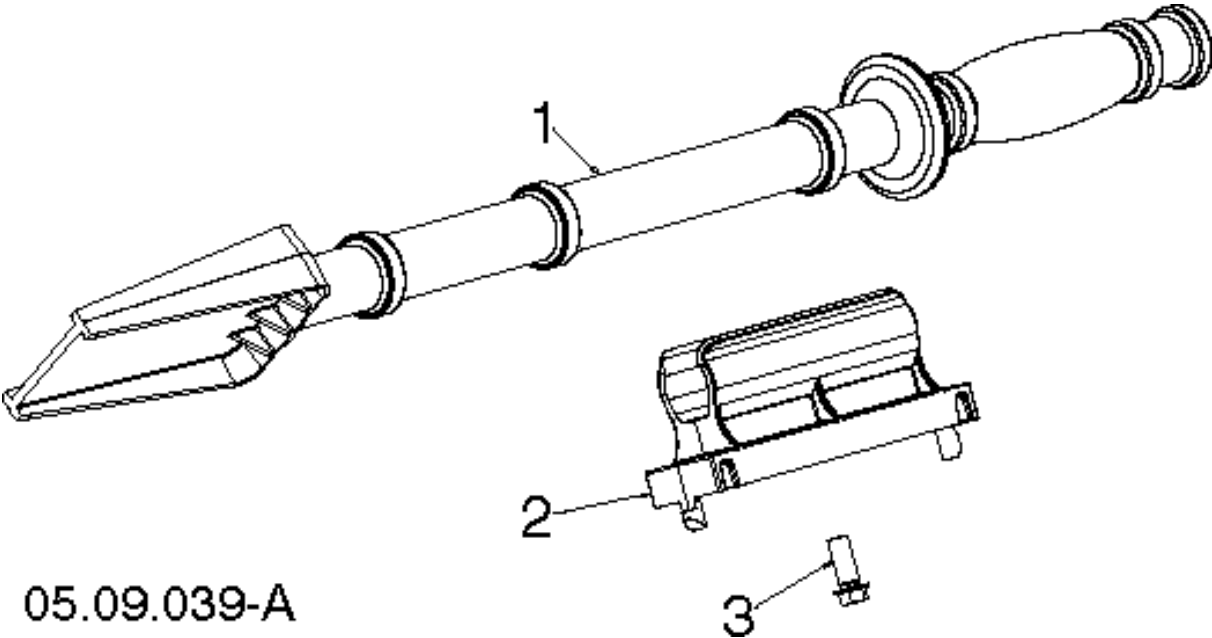


05.12.001-A

AUGER HOUSING & IMPELLER

PR271, 96192007301, 2014-05

Ref	Part No	Description	Remark	QTY KIT
1	532 18 40-93	SLIDING CONTACT		1
2	532 18 40-94	SLIDING CONTACT		1
3	585 69 17-01	BOLT		1
4	585 69 13-01	NUT		1

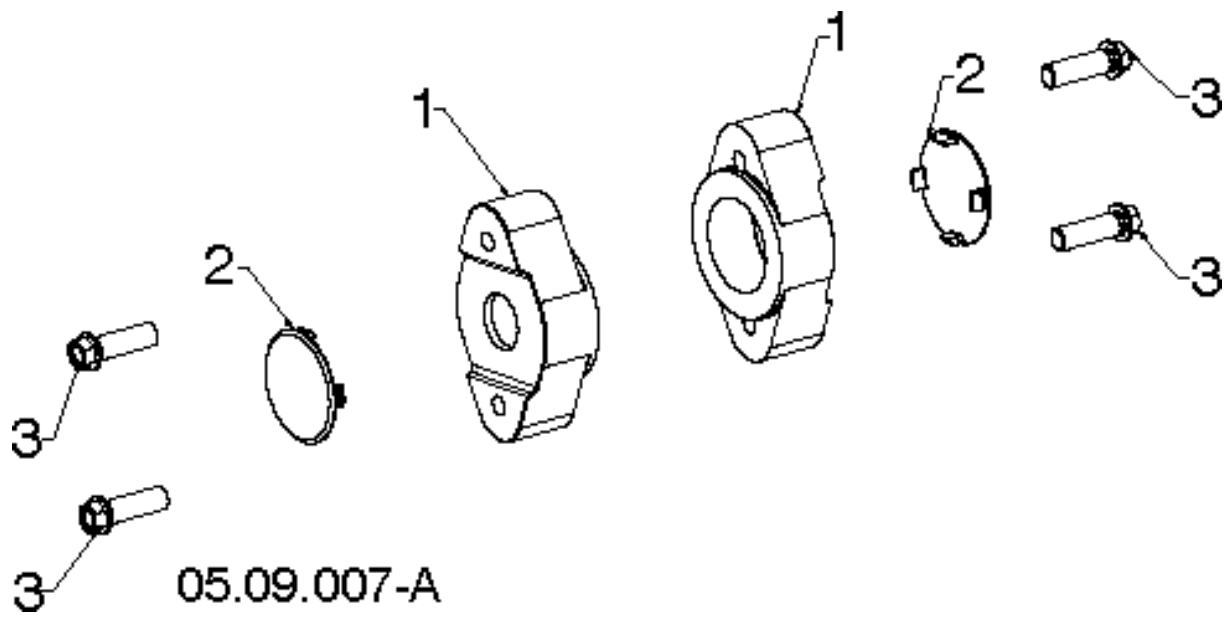


05.09.039-A

AUGER HOUSING & IMPELLER

PR271, 96192007301, 2014-05

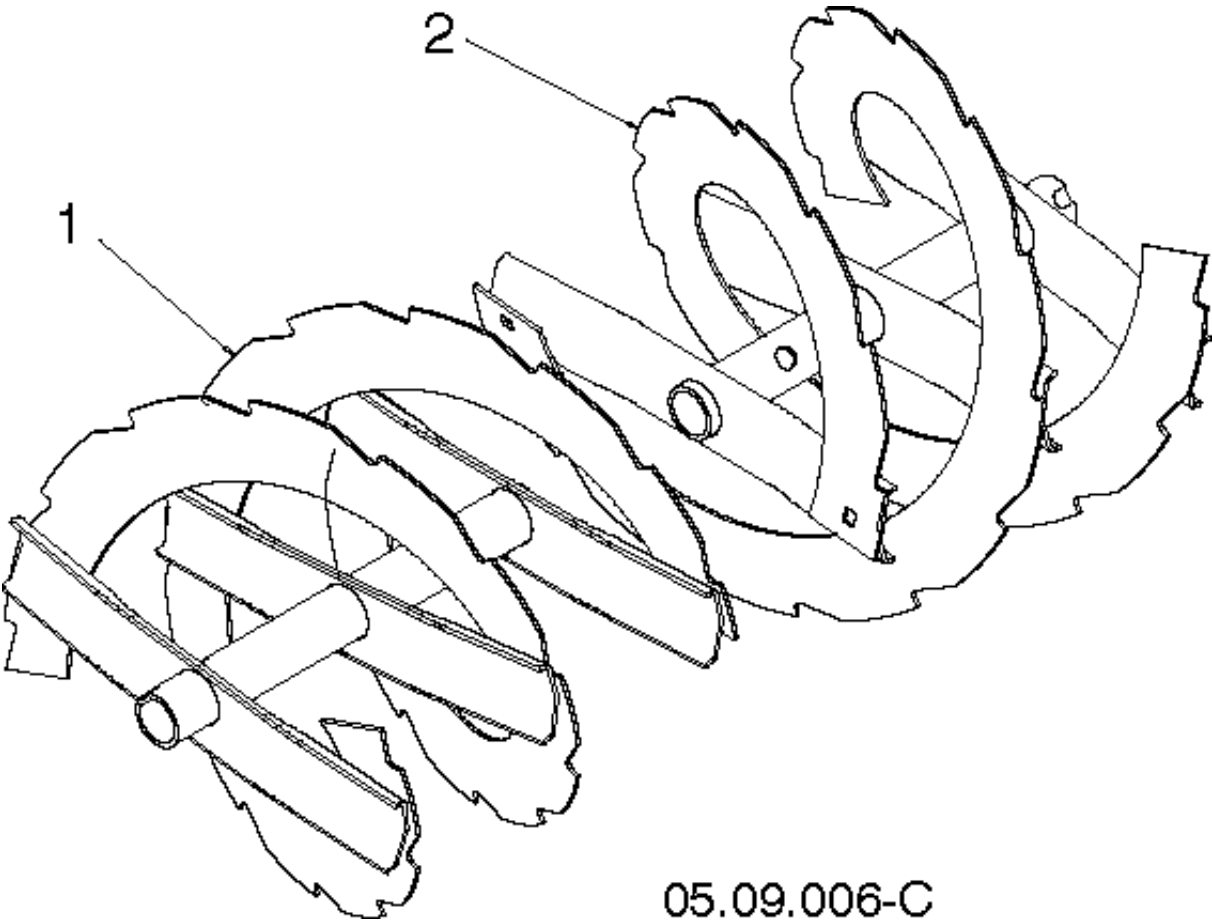
Ref	Part No	Description	Remark	QTY KIT
1	532 19 21-99	TOOL.CLEAN.OUT		1
2	532 40 54-00	CLAMP		1
3	532 19 41-89	SCREW		1



AUGER HOUSING & IMPELLER

PR271, 96192007301, 2014-05

Ref	Part No	Description	Remark	QTY KIT
1	532 42 04-78	BEARING		1
2	532 41 19-39	PLUG		1
3	584 29 94-01	SCREW EHHFT		1

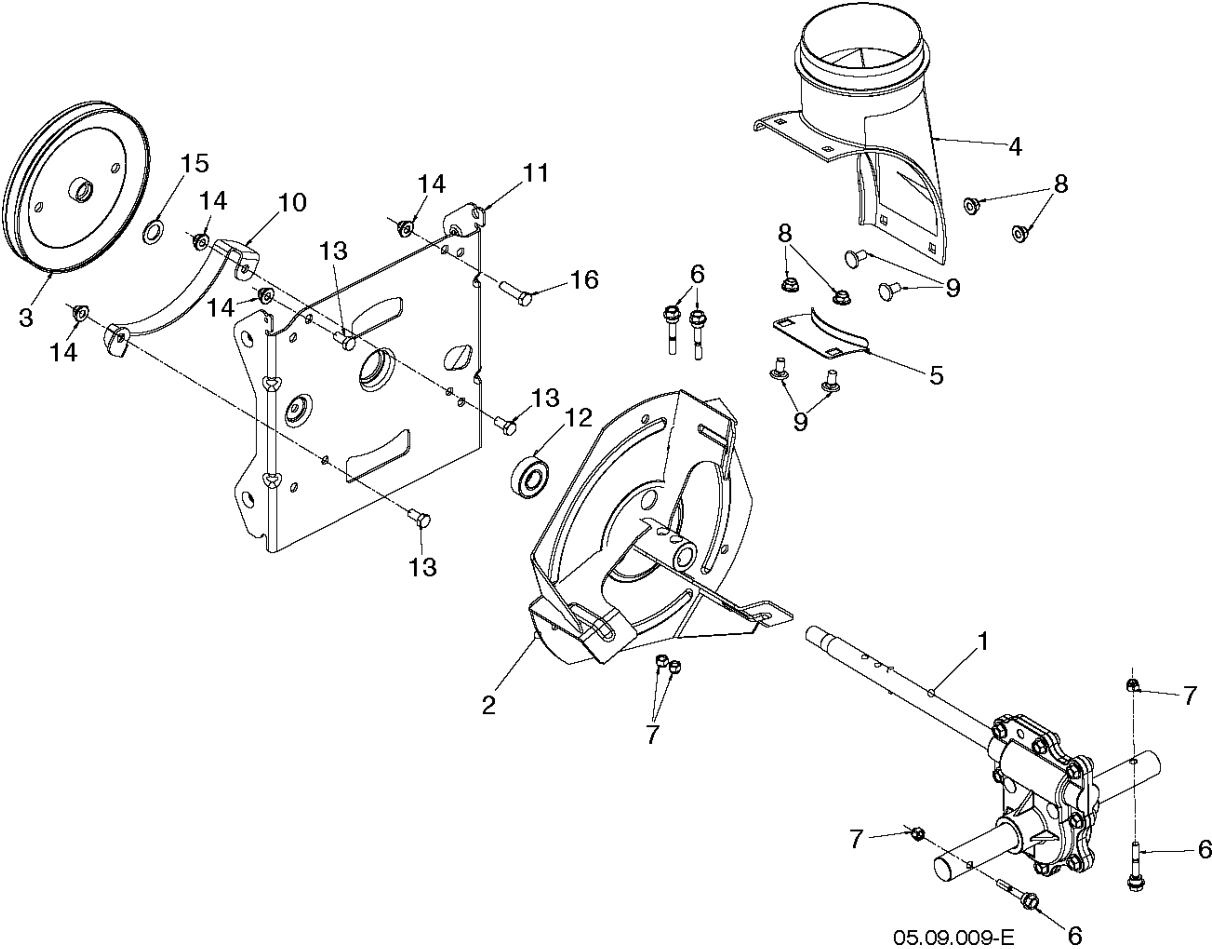


05.09.006-C

AUGER HOUSING & IMPELLER

PR271, 96192007301, 2014-05

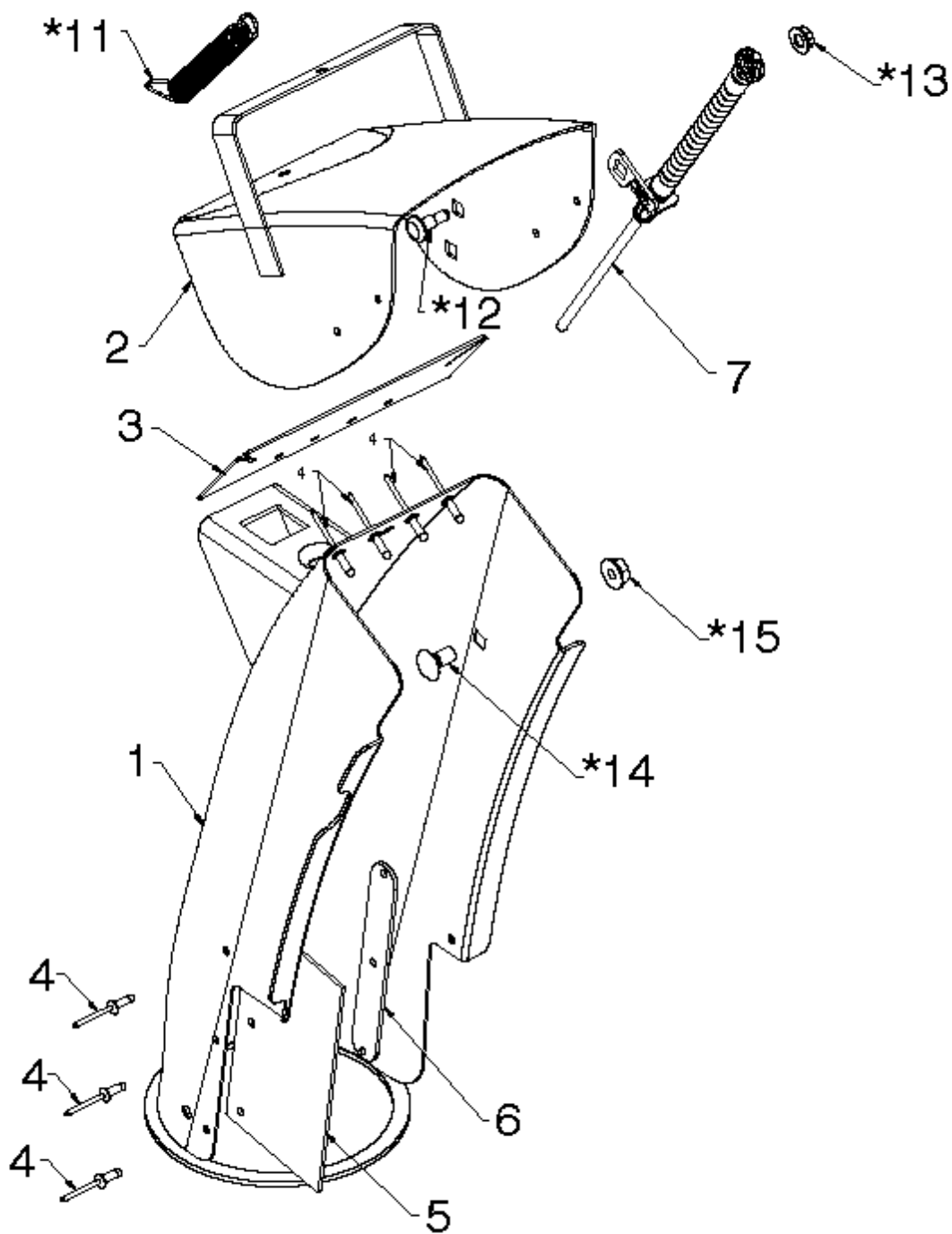
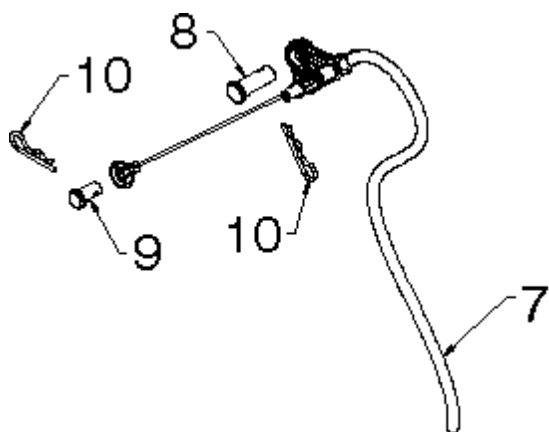
Ref	Part No	Description	Remark	QTY KIT
1	532 42 11-35	AUGER	LH	1
2	532 42 11-23	AUGER	RH	1



AUGER HOUSING & IMPELLER

PR271, 96192007301, 2014-05

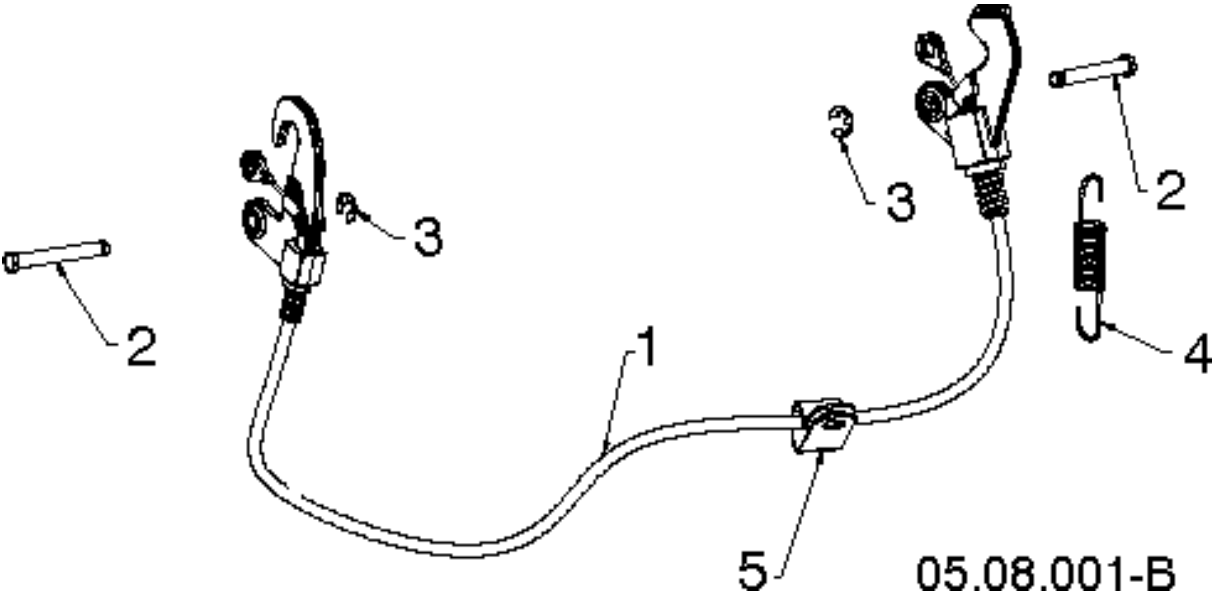
Ref	Part No	Description	Remark	QTY KIT
1	586 71 48-01	GEAR BOX		1
2	586 60 72-02	IMPELLER		1
3	586 71 52-01	PULLEY		1
4	585 05 69-01	CHUTE		1
5	532 18 40-95	PLATE		1
6	585 51 18-01	SCREW		1
7	873 80 04-00	NUT		1
8	585 69 13-01	NUT		1
9	585 69 12-01	BOLT		1
10	581 63 20-02	BRACKET		1
11	581 59 25-02	BRACKET		1
12	532 19 87-91	BALL BEARING		1
13	532 16 31-83	BOLT		1
14	532 42 79-42	NUT		1
15	587 39 27-01	WASHER		1
16	874 52 05-20	BOLT		1



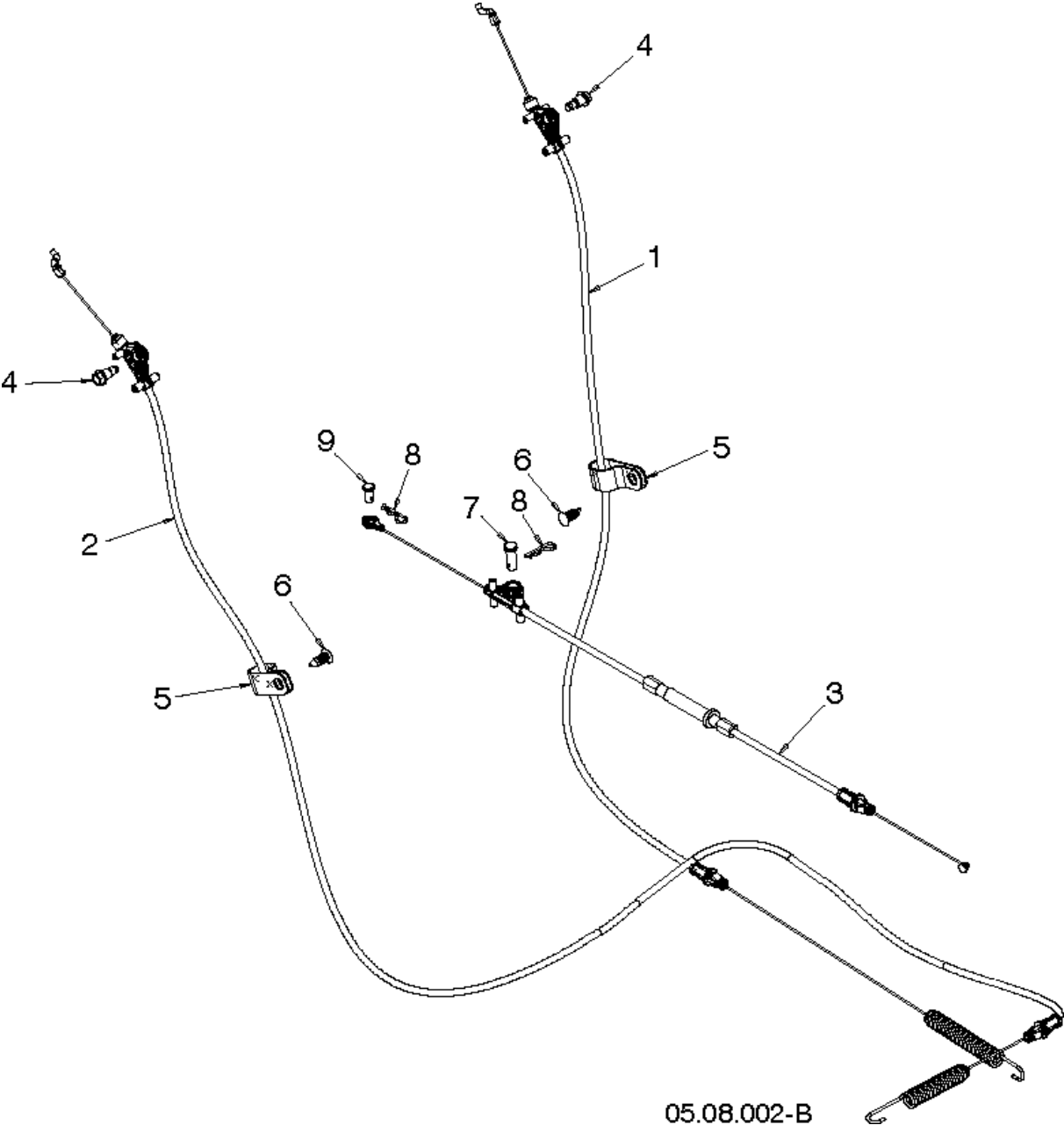
CONTROL PANEL & DISCHARGE CHUTE

PR271, 96192007301, 2014-05

Ref	Part No	Description	Remark	QTY KIT
1	532 44 36-24	CHUTE		1
2	532 18 45-11	DEFLECTOR ASSEMBLY		1
3	532 42 03-25	SEAL		1
4	532 12 84-15	RIVET		1
5	532 43 03-24	SHIELD		1
6	532 42 17-28	BRACKET		1
7	586 96 15-01	CABLE		1
8	581 32 94-01	PIN		1
9	585 80 83-01	PIN		1
10	532 42 33-03	HAIR PIN COTTER		1
*11	532 18 45-05	SPRING		1
*12	585 83 22-01	BOLT		1
*13	585 69 14-01	NUT		1
*14	585 83 20-01	BOLT		1
*15	873 97 05-00	NUT		1



Ref	Part No	Description	Remark	QTY KIT
1	580 66 47-01	CABLE		1
2	532 43 17-62	PIN		1
3	812 00 00-14	RETAINING RING		1
4	581 15 12-01	SPRING		1
5	532 19 79-91	CLIP		1

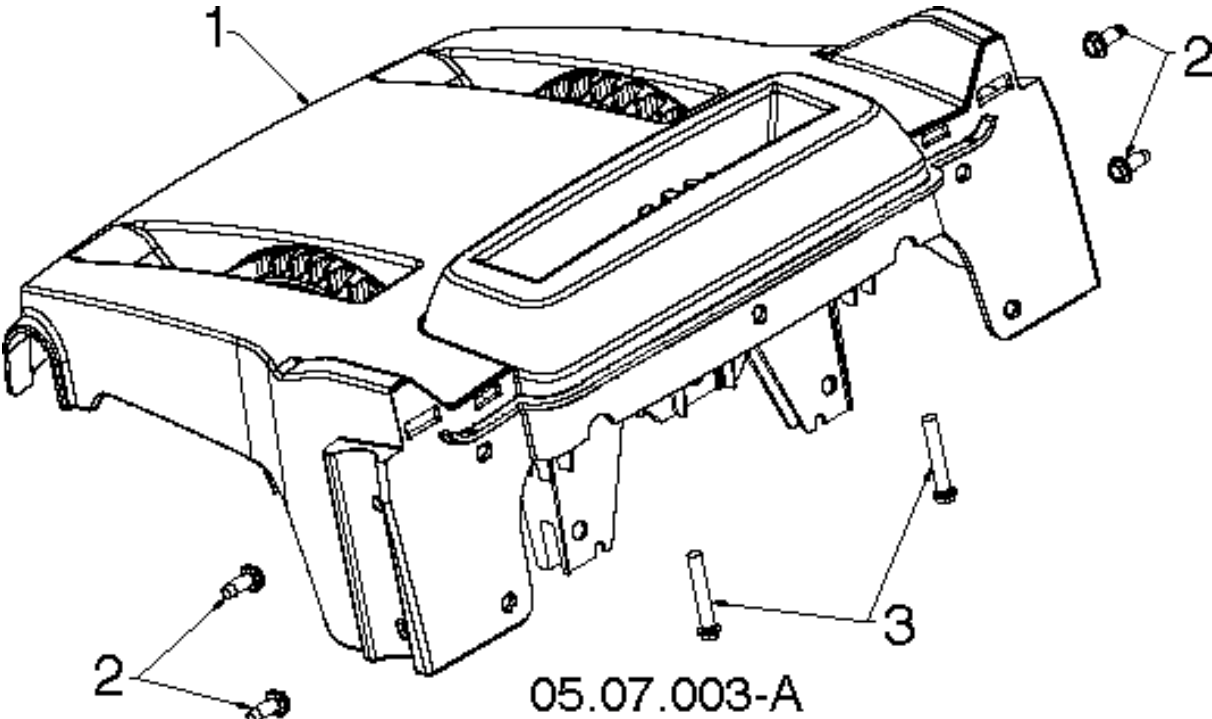


05.08.002-B

CONTROL PANEL & DISCHARGE CHUTE

PR271, 96192007301, 2014-05

Ref	Part No	Description	Remark	QTY KIT
1	581 12 83-01	CABLE		1
2	587 42 87-01	CABLE		1
3	587 34 38-01	CABLE		1
4	581 72 61-01	BOLT		1
5	532 19 79-91	CLIP		1
6	532 42 81-24	FASTENER		1
7	581 32 94-01	PIN		1
8	532 42 33-03	HAIR PIN COTTER		1
9	585 80 83-01	PIN		1

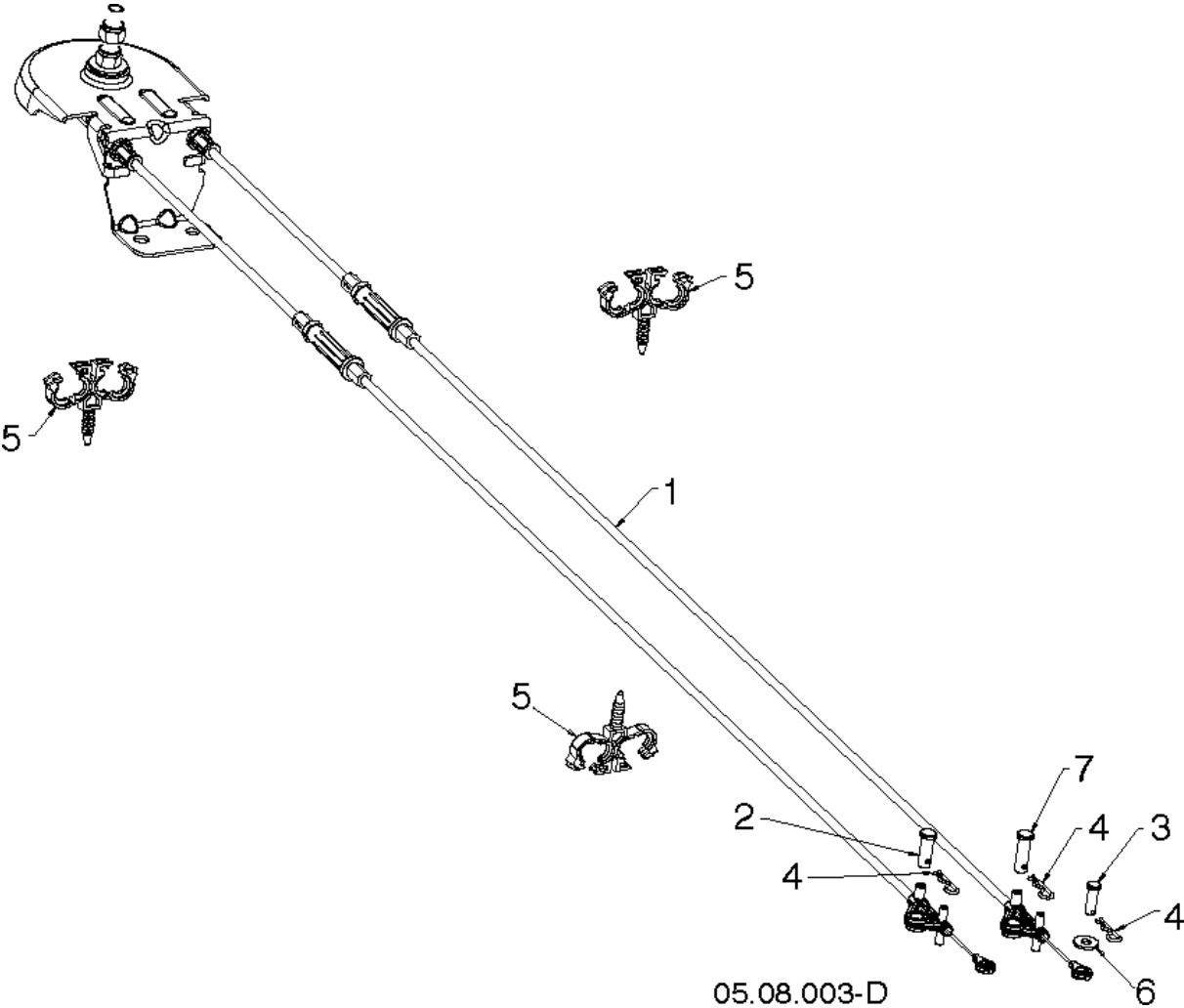


05.07.003-A

CONTROL PANEL & DISCHARGE CHUTE

PR271, 96192007301, 2014-05

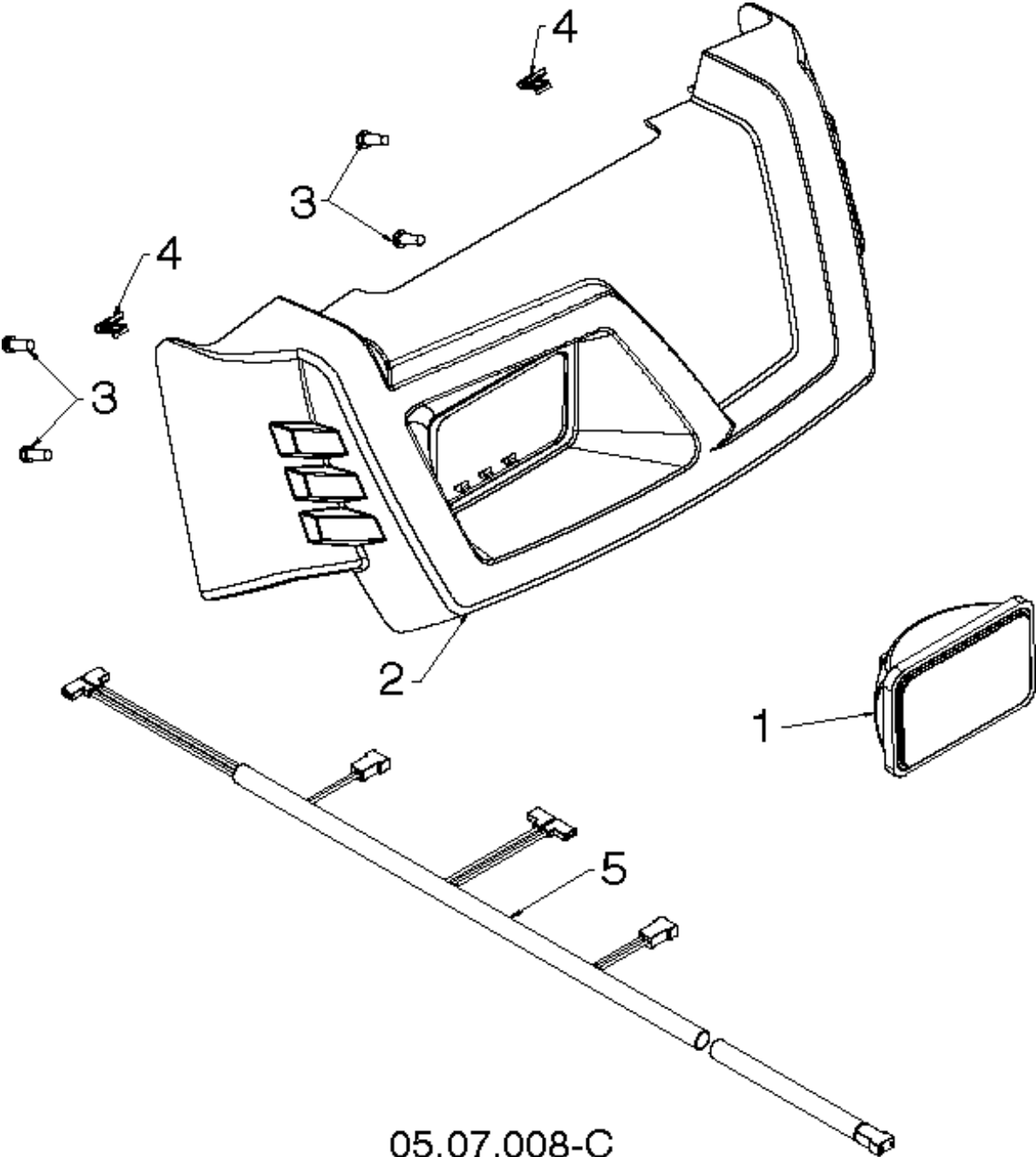
Ref	Part No	Description	Remark	QTY KIT
1	581 13 12-01	CONSOLE		1
2	817 06 04-10	SCREW		1
3	581 32 95-01	SCREW		1



CONTROL PANEL & DISCHARGE CHUTE

PR271, 96192007301, 2014-05

Ref	Part No	Description	Remark	QTY KIT
1	581 68 03-01	CABLE ASSY		1
2	581 32 94-01	PIN		1
3	877 10 08-12	PIN		1
4	532 42 33-03	HAIR PIN COTTER		1
5	584 65 22-01	CLIP		1
6	586 68 21-01	WASHER		1
7	587 13 08-01	PIN		1

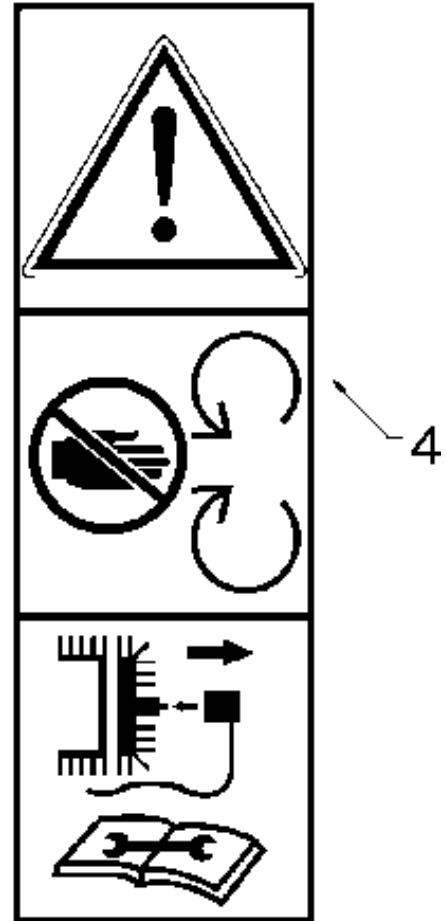
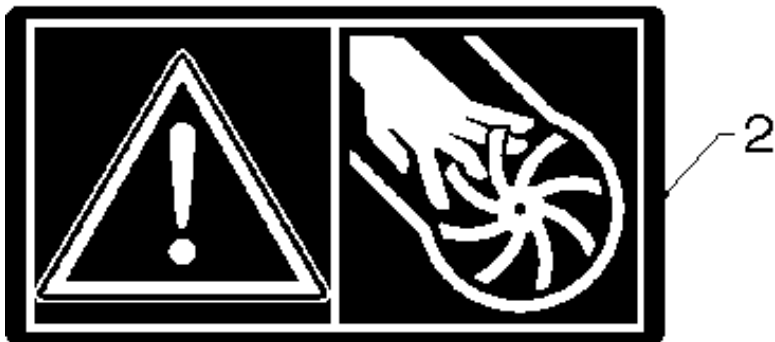
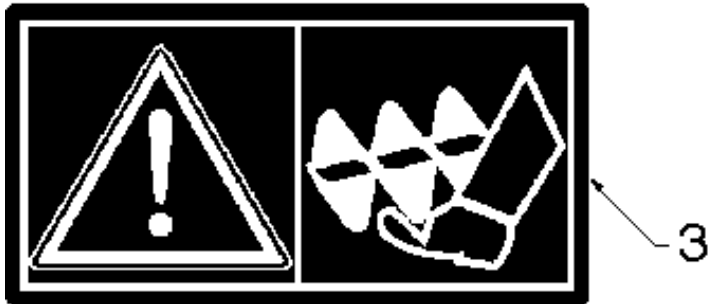


05.07.008-C

CONTROL PANEL & DISCHARGE CHUTE

PR271, 96192007301, 2014-05

Ref	Part No	Description	Remark	QTY KIT
1	586 18 10-01	LIGHT		1
2	581 12 81-03	COVER		1
3	532 19 41-89	SCREW		1
4	581 92 87-01	CLIP		1
5	587 53 57-01	HARNESS		1
--	532 18 37-84	FLOOD BULB		1

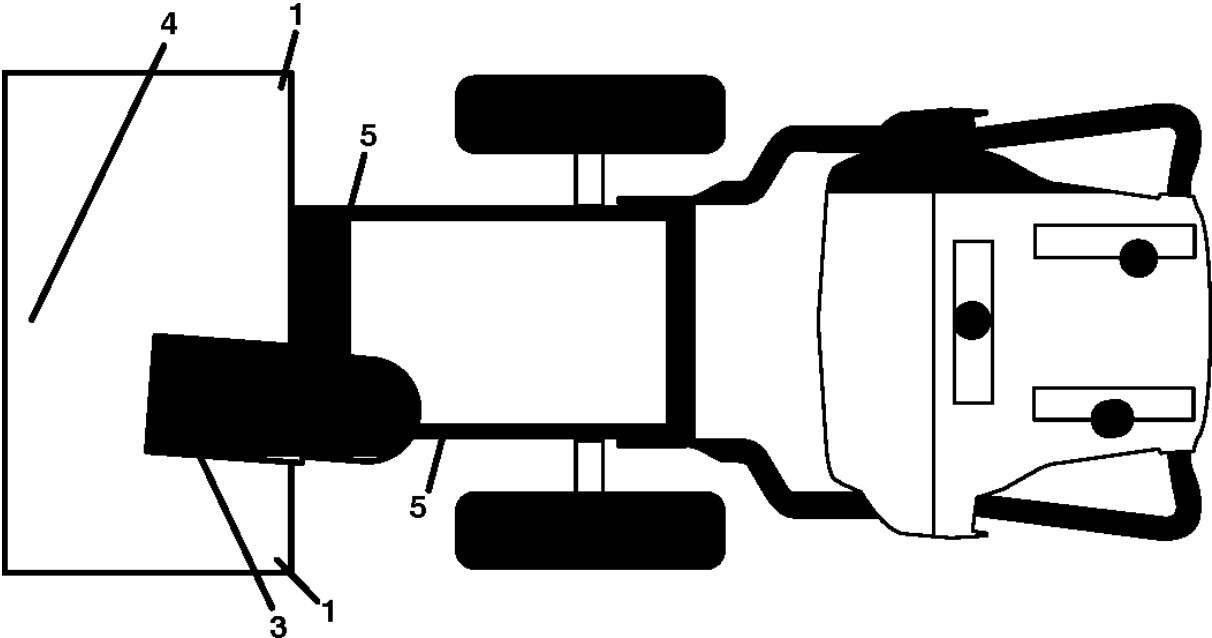


05.16.001-A

DECALS

PR271, 96192007301, 2014-05

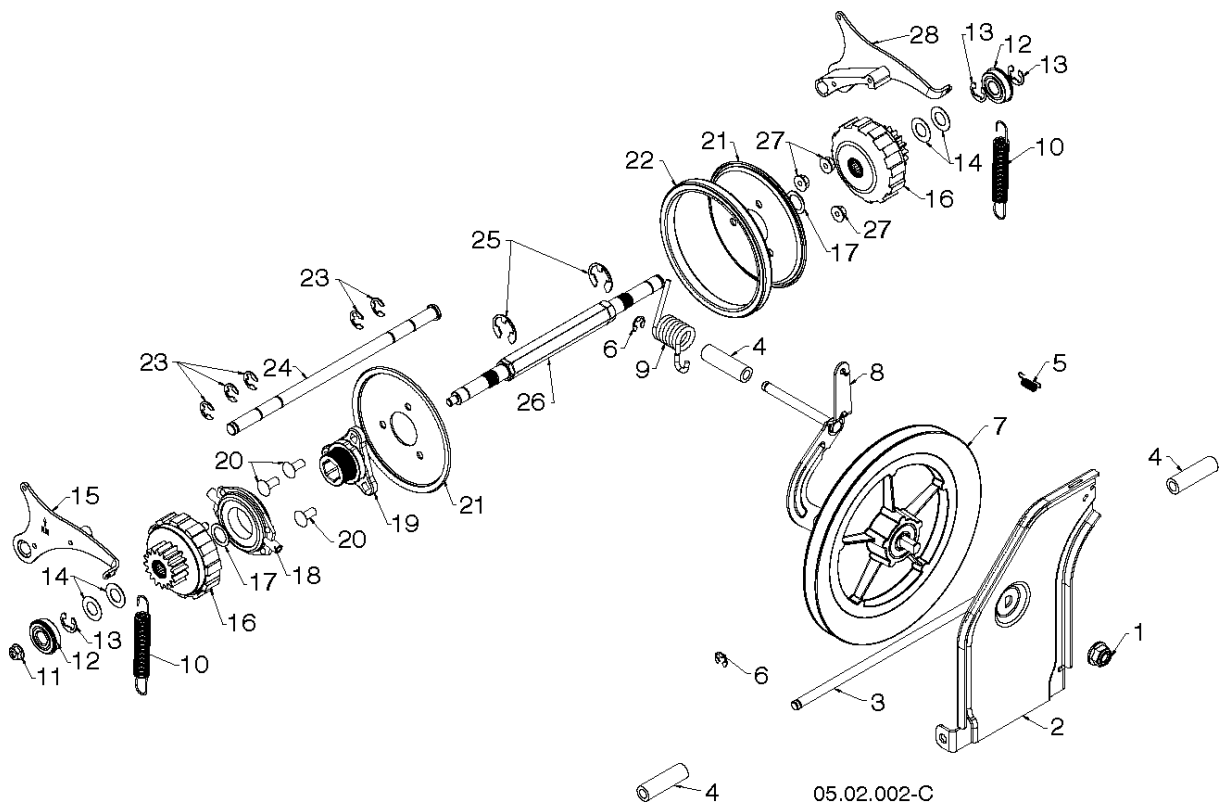
Ref	Part No	Description	Remark	QTY KIT
1	532 18 40-45	DECAL		1
2	532 19 96-82	LABEL		1
3	532 19 96-83	LABEL		1
4	532 18 40-28	DECAL		1



DECALS

PR271, 96192007301, 2014-05

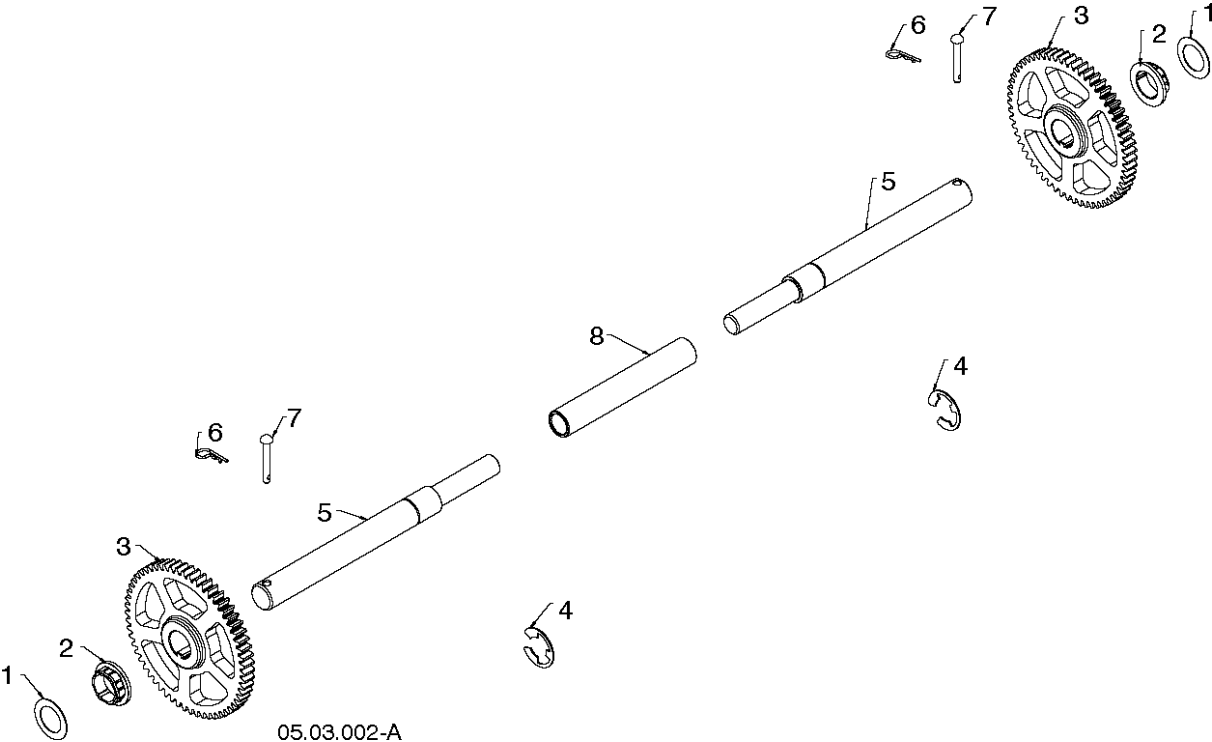
Ref	Part No	Description	Remark	QTY KIT
1	532 19 96-83	LABEL		1
3	532 19 96-82	LABEL		1
4	532 18 40-45	DECAL		1
5	532 18 40-28	DECAL		1



DRIVE

PR271, 96192007301, 2014-05

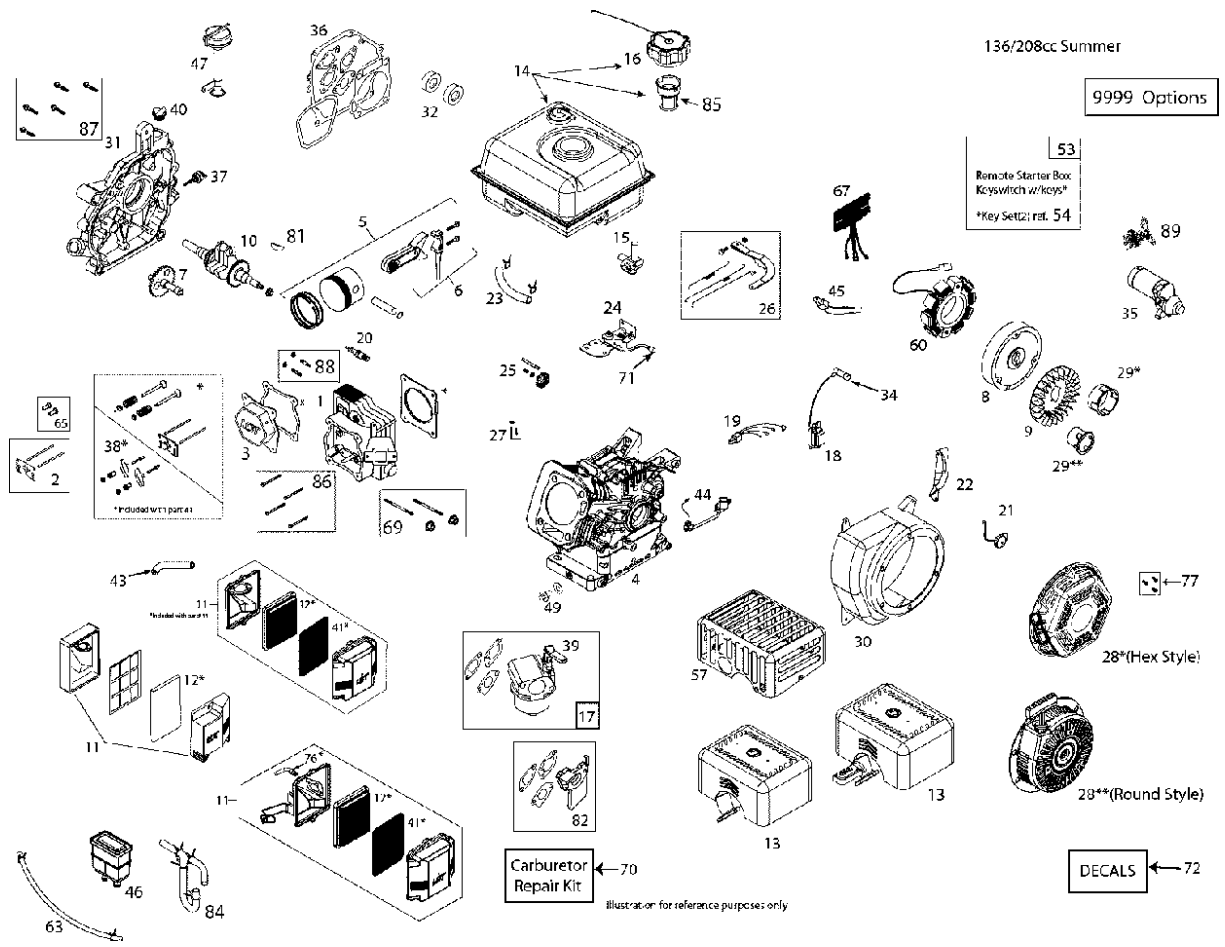
Ref	Part No	Description	Remark	QTY KIT
1	521 99 11-01	NUT		1
2	581 44 69-03	PLATE		1
3	581 12 30-01	ROD		1
4	581 73 27-01	SPACER		1
5	532 19 38-85	SPRING		1
6	812 00 00-07	CLIPS E-LT 12000007		1
7	581 32 84-01	PULLEY ASSY		1
8	581 45 42-03	BRACKET		1
9	581 31 53-01	SPRING		1
10	585 26 38-01	SPRING		1
11	585 69 15-01	NUT		1
12	580 75 62-01	BEARING		1
13	580 75 61-01	RING		1
14	580 75 13-01	WASHER		1
15	580 75 66-01	PAWL		1
16	580 75 60-01	GEAR		1
17	580 75 63-01	WASHER		1
18	532 17 53-44	BEARING		1
19	581 09 09-01	HUB		1
20	872 11 05-06	BOLT		1
21	581 09 10-02	PLATE		1
22	581 09 11-01	RING		1
23	586 64 43-01	CLIP		1
24	580 75 51-01	ROD		1
25	812 00 00-22	RETAINING RING		1
26	580 75 24-01	SHAFT		1
27	532 75 11-53	LOCKNUT 5/16-18 RL550HVA		1
28	580 75 67-01	PAWL		1



DRIVE

PR271, 96192007301, 2014-05

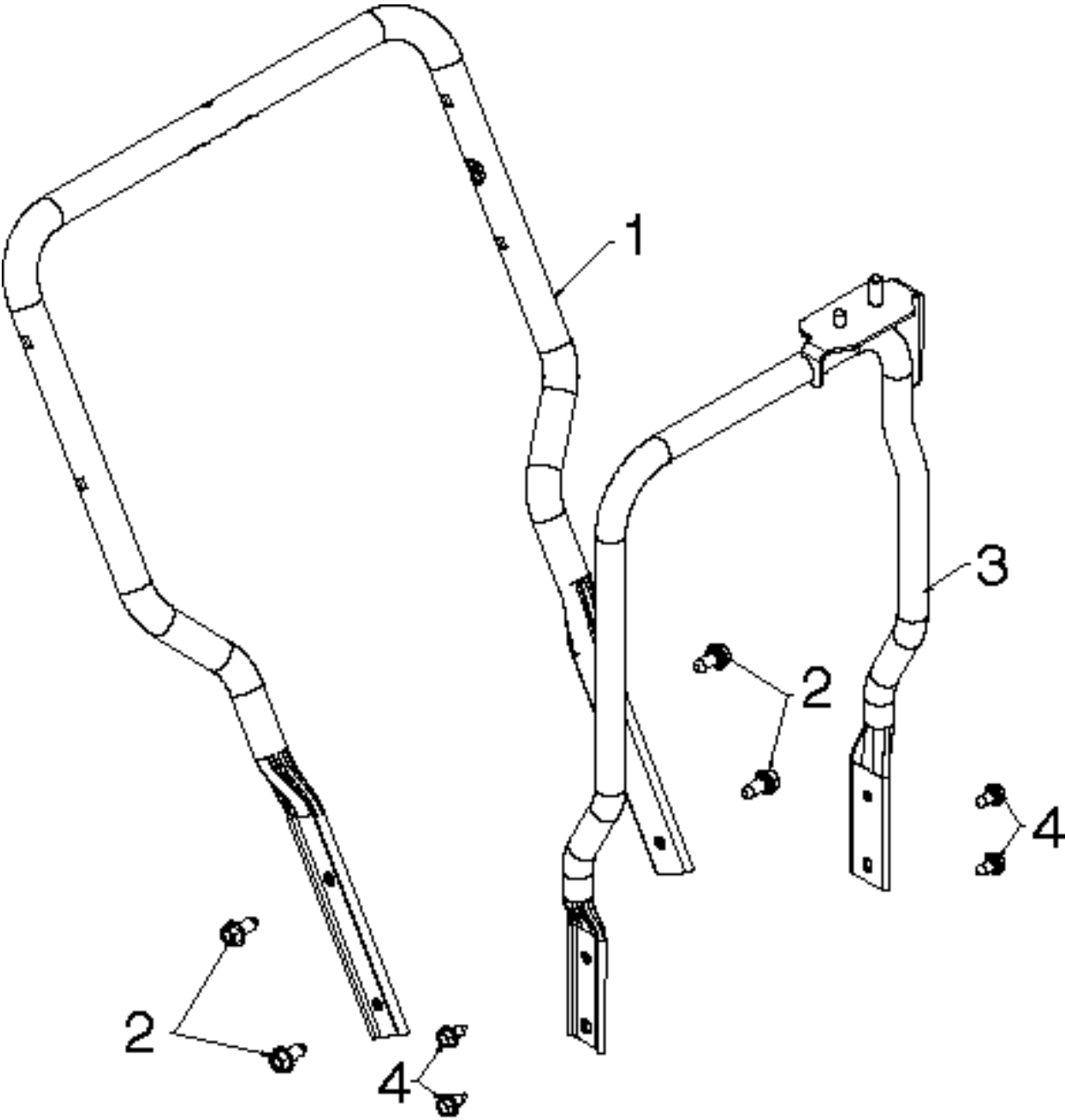
Ref	Part No	Description	Remark	QTY KIT
1	532 44 49-49	WASHER		1
2	581 12 23-01	BUSHING		1
3	580 75 73-01	GEAR		1
4	812 00 00-53	E-CLIP		1
5	580 75 26-01	AXLE		1
6	532 12 47-88	RETAINING RING		1
7	532 17 12-71	RIVET		1
8	580 75 25-01	SLEEVE		1



ENGINE

PR271, 96192007301, 2014-05

Ref	Part No	Description	Remark	QTY KIT
1	532 42 05-78	CYLINDER HEAD ASSY		1
2	532 42 05-79	PUSH ROD SERVICE KIT		1
3	532 42 05-80	VALVE COVER SERVICE KIT		1
4	532 43 65-67	CYLINDER		1
5	532 42 05-82	PISTON ASSY		1
6	532 42 05-83	CONNECTING ROD SERVICE KIT		1
7	532 42 05-84	CAMSHAFT		1
8	532 42 92-35	FLYWHEEL ASSY		1
9	532 42 05-86	FLYWHEEL FAN		1
10	532 44 66-42	CRANKSHAFT		1
13	532 43 65-63	MUFFLER ASSY		1
14	532 43 65-64	FUEL TANK ASSY		1
15	532 42 92-34	FUEL		1
16	532 42 49-42	FUEL TANK W/ CAP (CLICK STYLE)		1
17	532 43 65-65	CARBURETOR		1
18	532 44 39-34	IGNITION COIL		1
19	532 42 49-55	CDI BOX		1
20	532 42 49-39	SPARK PLUG F7RTC		1
21	532 42 49-57	ON/OFF SWITCH		1
23	532 43 21-44	FUEL HOSE KIT		1
24	532 42 92-59	SPEED CONTROL BRACKET		1
25	532 42 96-46	GEAR		1
26	581 76 87-01	CARBURETTOR		1
27	532 42 06-02	GOVERNOR SHAFT ASSY		1
28	532 43 69-67	RECOIL		1
29	532 42 49-66	STARTER CUP SMALL		1
30	580 96 05-01	BLOWER HOUSING		1
30	581 19 20-01	BLOWER HOUSING ASSY		1
31	532 42 06-06	CRANKCASE COVER ASSY		1
31	581 00 73-01	COVER		1
32	532 42 95-99	SEAL KIT		1
34	532 43 69-66	BOOT		1
35	532 43 64-66	STARTER		1
36	532 42 96-01	GASKET KIT		1
37	532 42 09-61	DIPSTICK(SK2083711)		1
38	532 42 96-91	ROCKER ARM KIT		1
39	532 42 92-24	CHOKE		1
40	532 42 95-98	NON REMOVABLE PLUG		1
41	532 44 37-75	FILTER		1
43	580 35 34-01	BREATHER		1
47	532 42 49-69	HIGH OIL FILL		1
47	581 00 72-01	TUBE ASSY		1
49	532 43 54-95	OIL PLUG		1
53	532 42 49-54	KEY START ASSY		1
54	532 44 30-59	KIT		1
65	581 37 28-01	TAPPET		1
69	532 42 49-51	CARB STUDS AND COUPLINGS KIT		1
70	580 35 36-01	CARBURETTOR		1
77	532 43 26-88	BOLT KIT		1
82	585 02 05-03	SPACER		1
86	586 32 73-01	BOLT		1
87	586 32 69-01	BOLT		1
87	586 32 69-01	BOLT		1
88	586 32 68-01	STUD		1
9999	586 32 62-01	JET		1

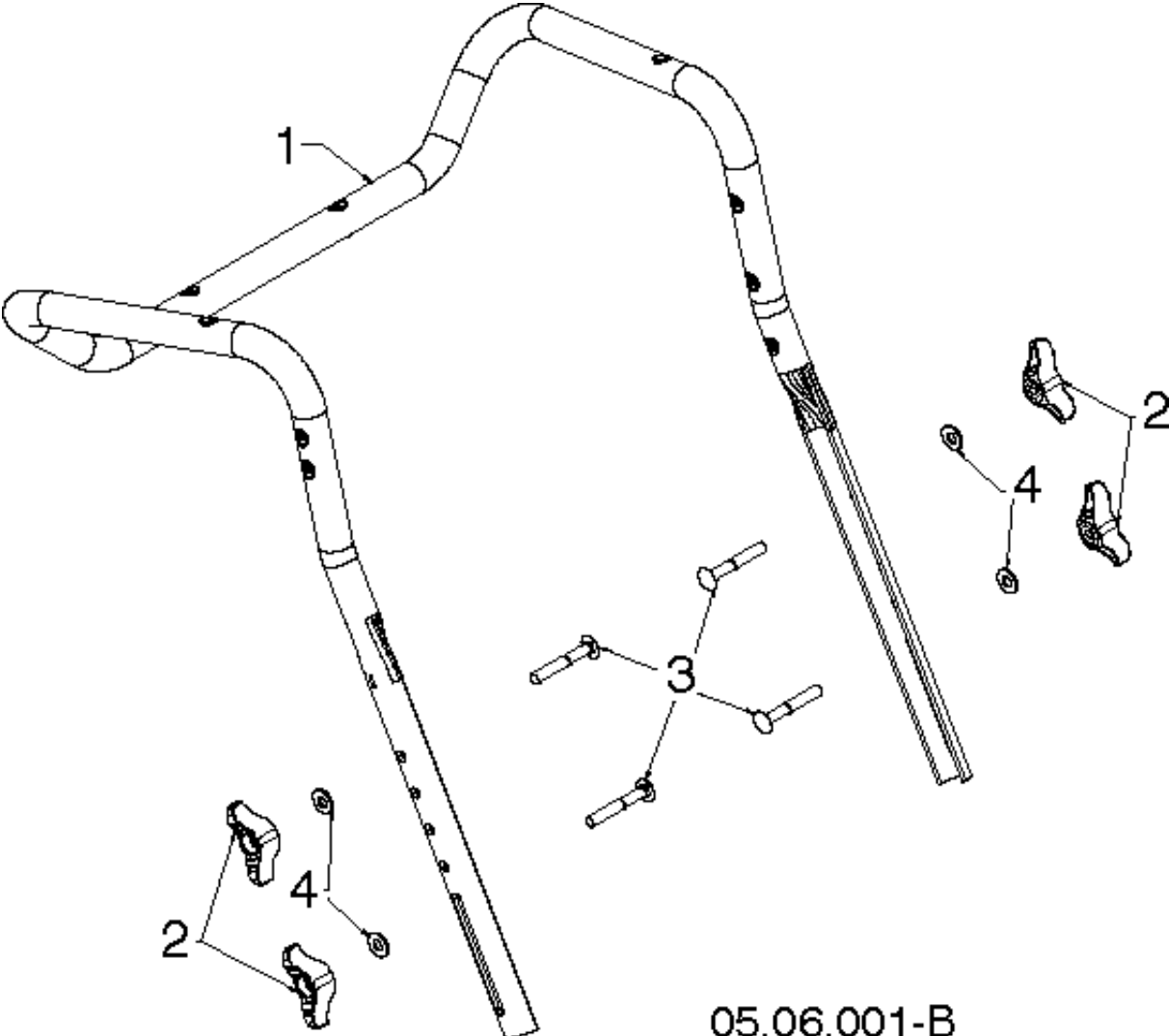


05.05.001-C

HANDLE

PR271, 96192007301, 2014-05

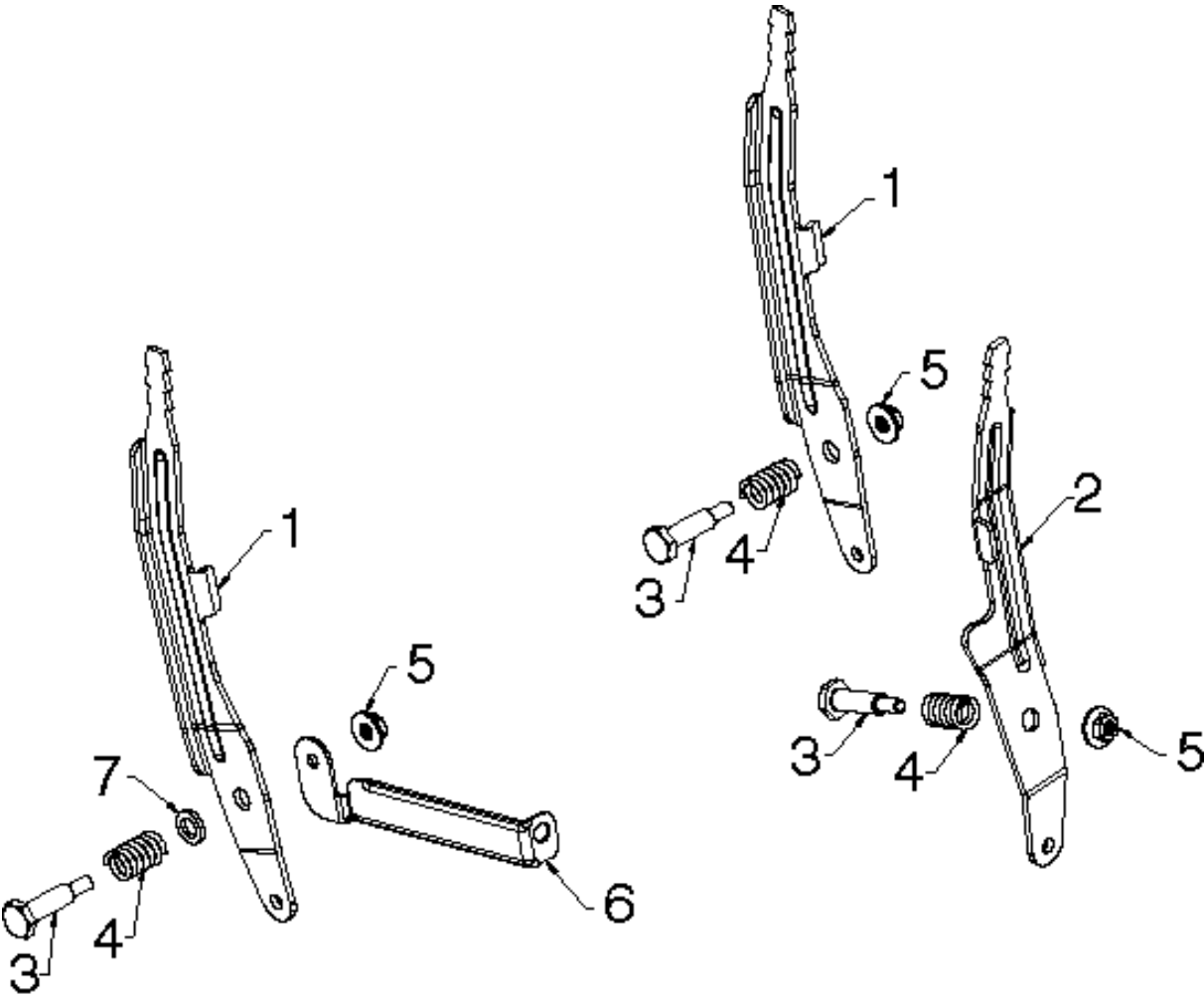
Ref	Part No	Description	Remark	QTY KIT
1	581 12 35-04	HANDLE		1
2	817 00 06-12	SCREW		1
3	581 62 20-02	SUPPORT ASSY		1
4	817 00 05-10	BOLT		1



HANDLE

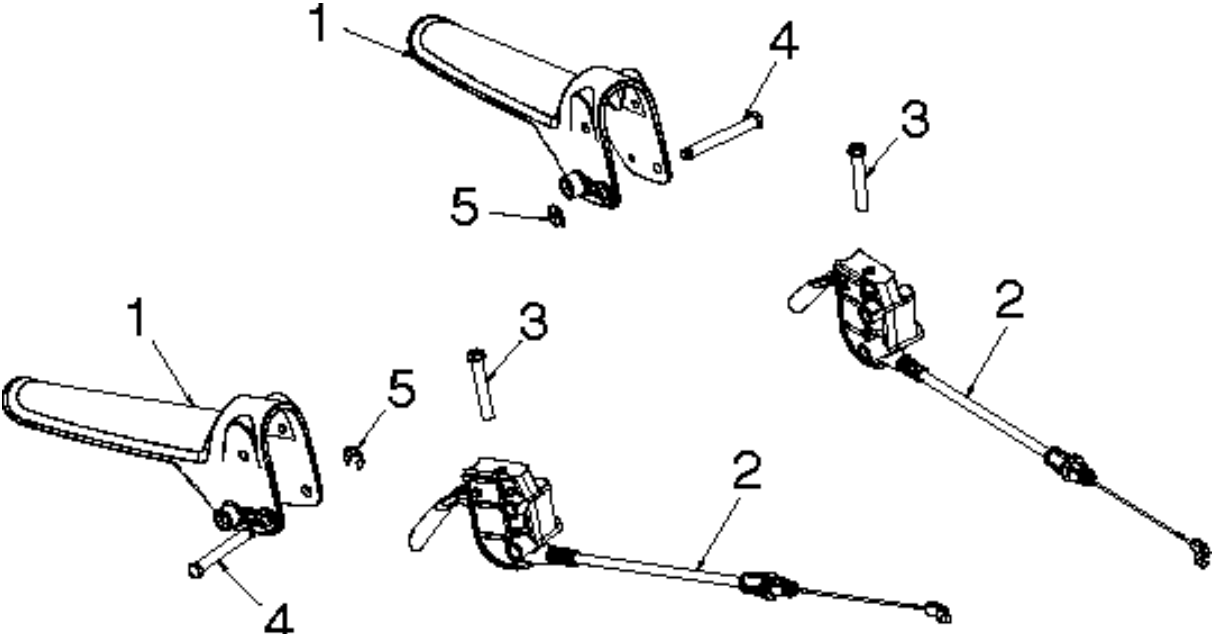
PR271, 96192007301, 2014-05

Ref	Part No	Description	Remark	QTY KIT
1	581 12 36-04	HANDLE		1
2	532 19 19-38	KNOB		1
3	587 35 90-01	BOLT		1



05.08.005-C

Ref	Part No	Description	Remark	QTY KIT
1	581 12 39-02	LEVER		1
2	581 24 16-02	LEVER		1
3	581 32 97-01	BOLT		1
4	581 32 96-01	SPRING		1
5	586 66 89-01	NUT		1
6	584 46 84-02	BRACE		1
7	587 03 13-01	WASHER		1

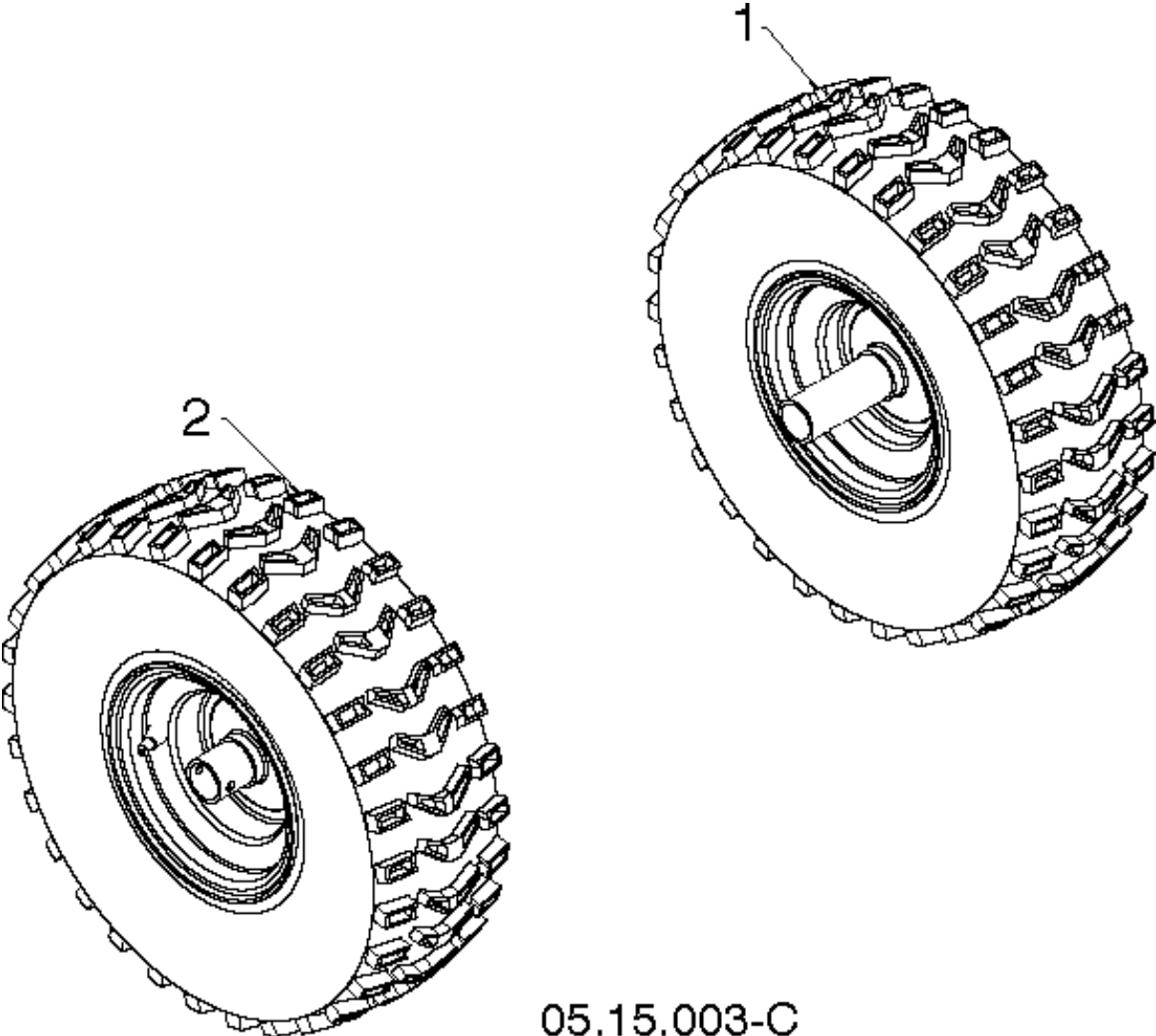


05.08.007-A

HANDLE

PR271, 96192007301, 2014-05

Ref	Part No	Description	Remark	QTY KIT
1	587 46 30-01	LEVER		1
2	581 20 82-01	CABLE		1
3	585 69 07-01	SCREW		1
4	532 43 17-62	PIN		1
5	812 00 00-14	RETAINING RING		1



05.15.003-C

WHEELS & TIRES

PR271, 96192007301, 2014-05

Ref	Part No	Description	Remark	QTY KIT
1	586 71 04-02	WHEEL		1
2	586 71 03-02	WHEEL		1