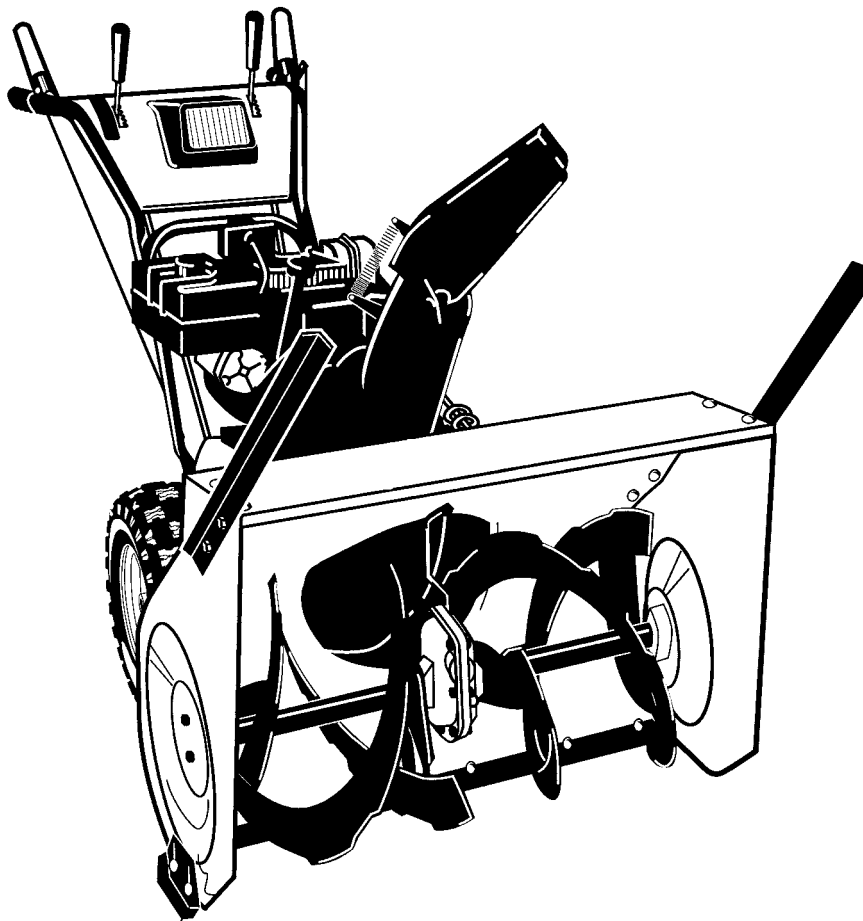
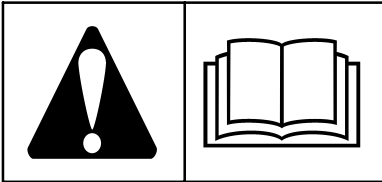
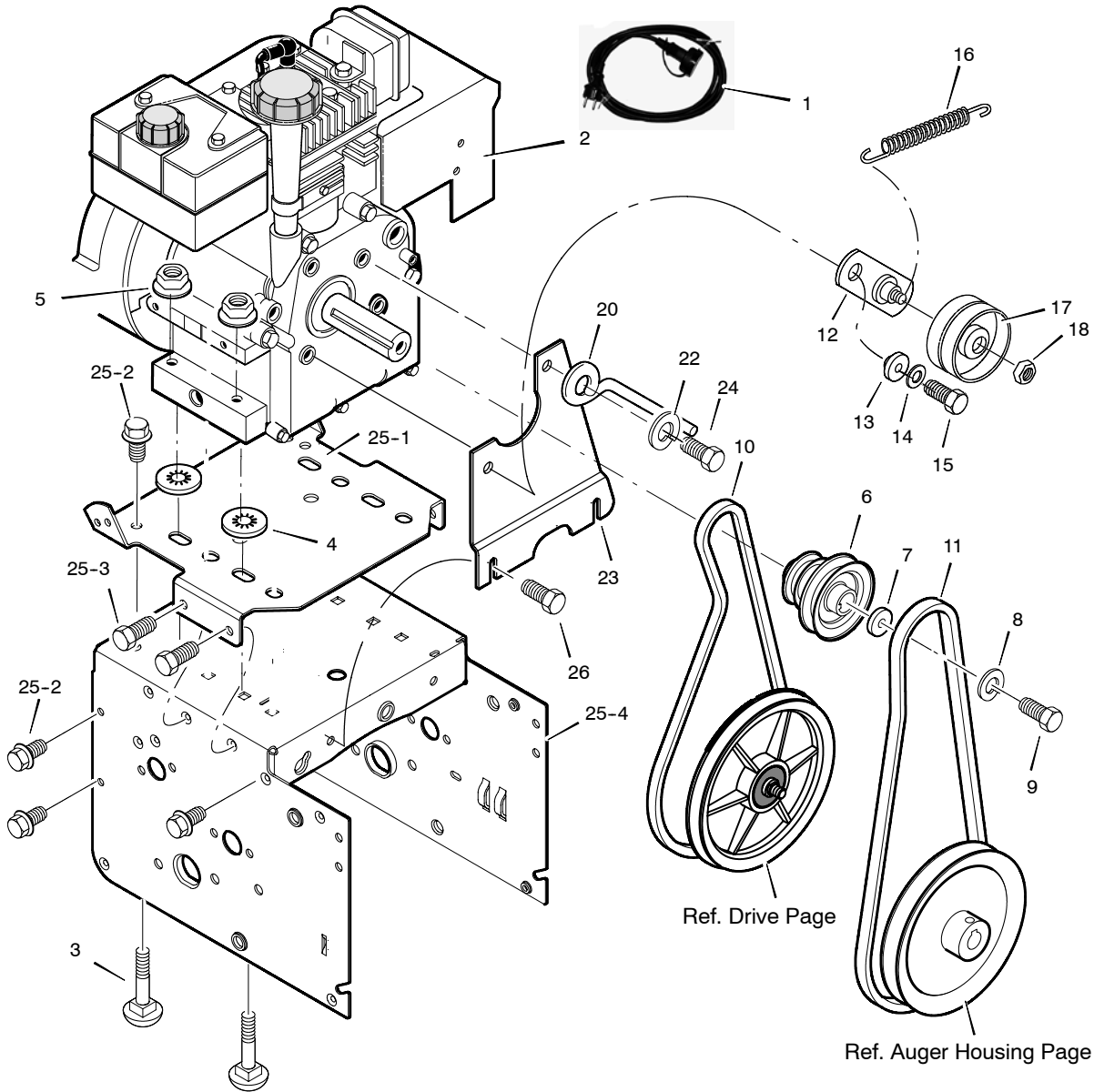




Snow Thrower
Model 627859x83

- (GB) Operating & Maintenance Instructions**
- (F) Instructions d'utilisation et de maintenance**





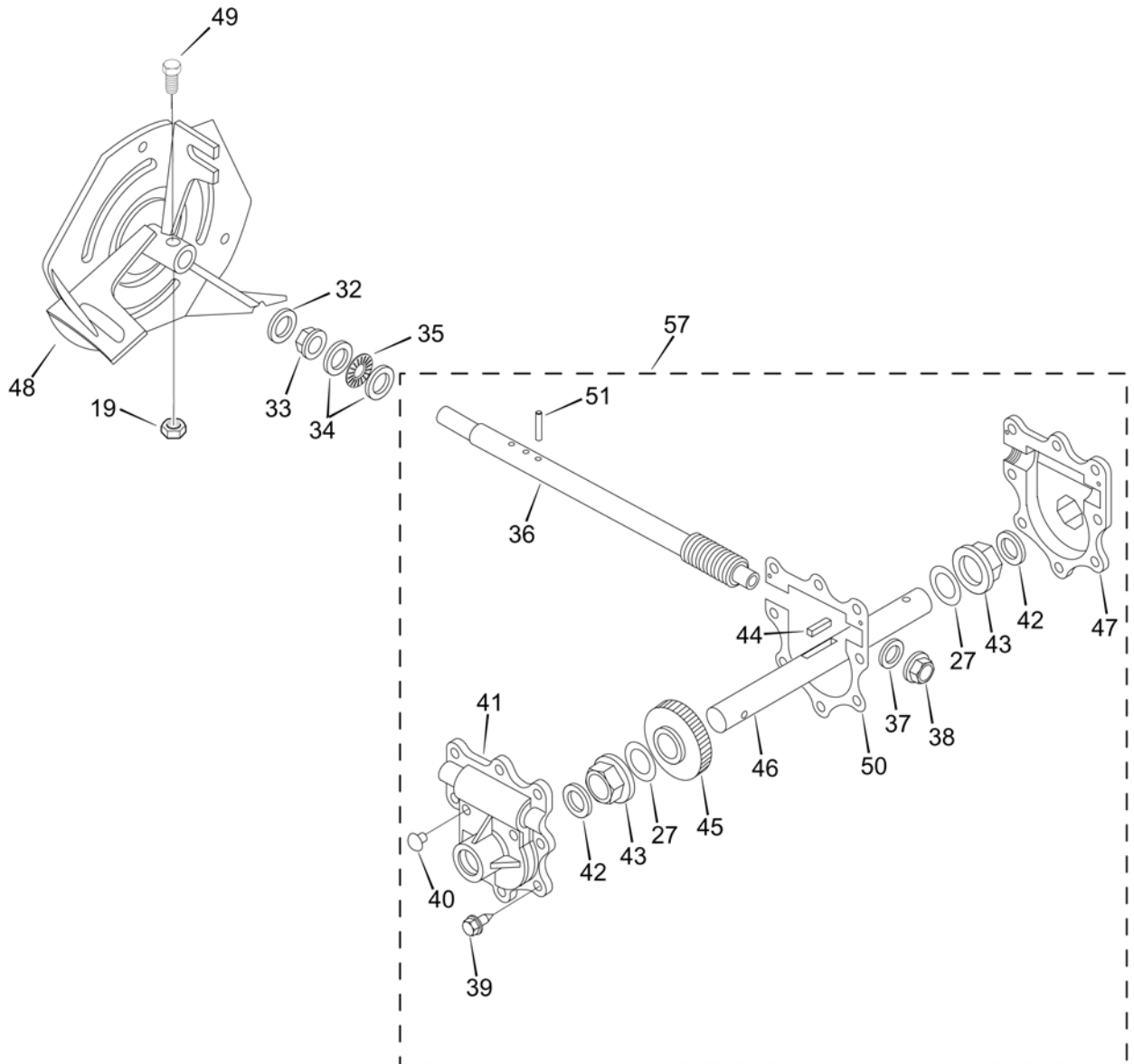
Key No.	Part No.	Description
1	6219	CORD, STARTER
2	*	ENGINE *
3	002x97	BOLT, CARRIAGE 5/16-18
4	028x76	RETAINER, PUSH
5	710026	NUT, HEX 5/16-18
6	1501109	PULLEY, ENGINE
7	17x170	WASHER
8	71063	WASHER .38ID
9	71015	SCREW, 3/8-24X1.00
10	579932	BELT, DRIVE V 3L
11	585416	BELT, AUGER V 4L
12	1501112 YZ	BRACKET ASSEMBLY, IDLER
13	1501065	BUSHING, IDLER BRACKET
14	71060	WASHER, SPLIT
15	910828	SCREW 5/16-24 X 1.00

Key No.	Part No.	Description
16	165x164	SPRING, IDLER TRACTION DRIVE
17	1502120	PULLEY, IDLER
18	590	NUT, JAM 3/8-16
20	1501201	GUIDE, BELT
22	71060	WASHER, SPTLK .31X.58X.08
23	1501482	PLATE, ANTI VIBRATION
24	910828	SCREW, 5/16-24X 1.00
25	-----	FRAME ASSEMBLY
25-1	1501062E012	PLATE, ENGINE MOUNT
25-2	310169	SCREW, TAP 1/4-20 X .63
25-3	25x020	SCREW, TAP 5/16-18 X .50
25-4	1501049E012	FRAME, MOTOR BOX
26	26x263	SCREW
--	407087	OWNER'S MANUAL

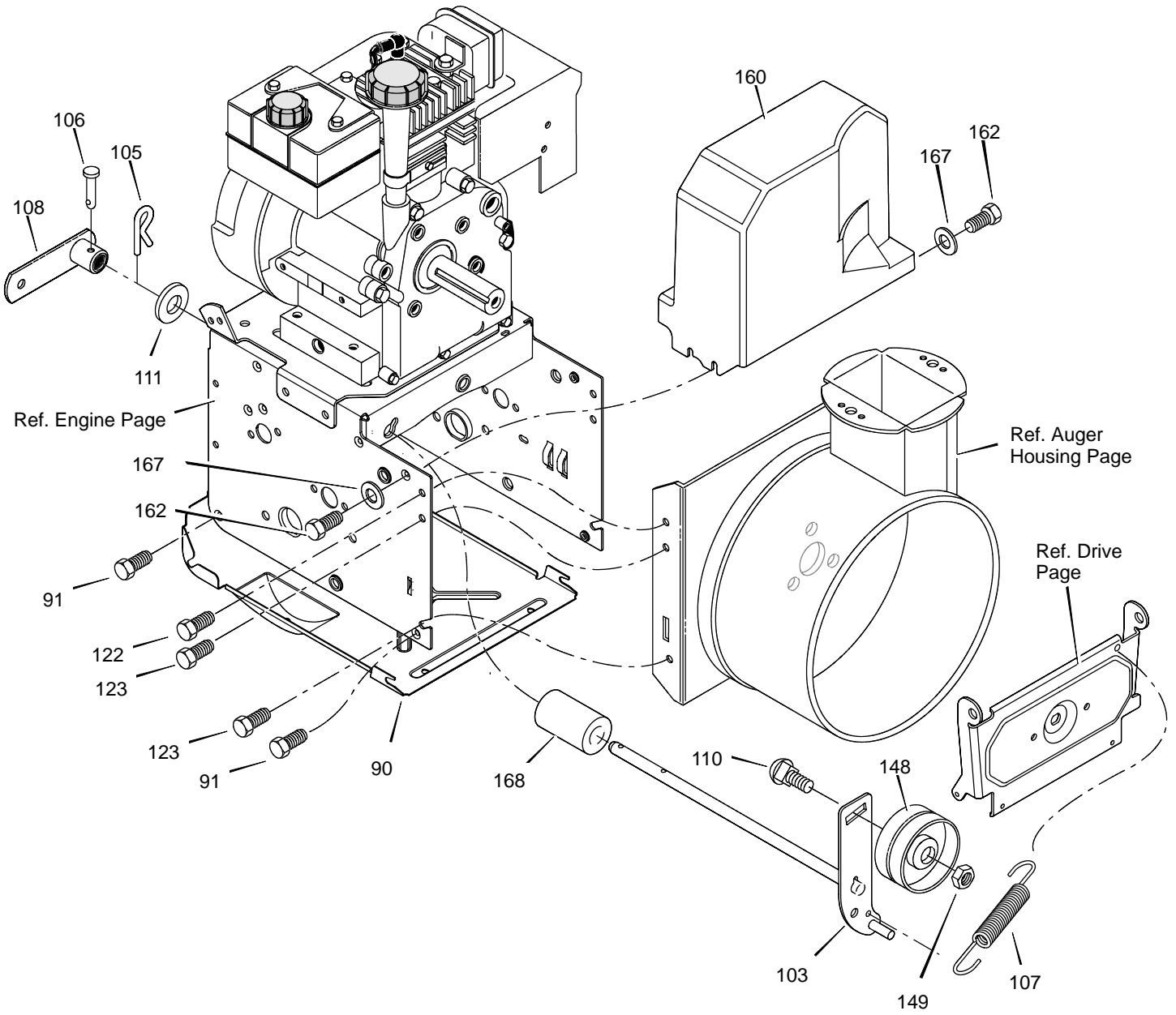
* For information on Replacement Parts contact the Engine manufacturer.

MODEL 627859x83

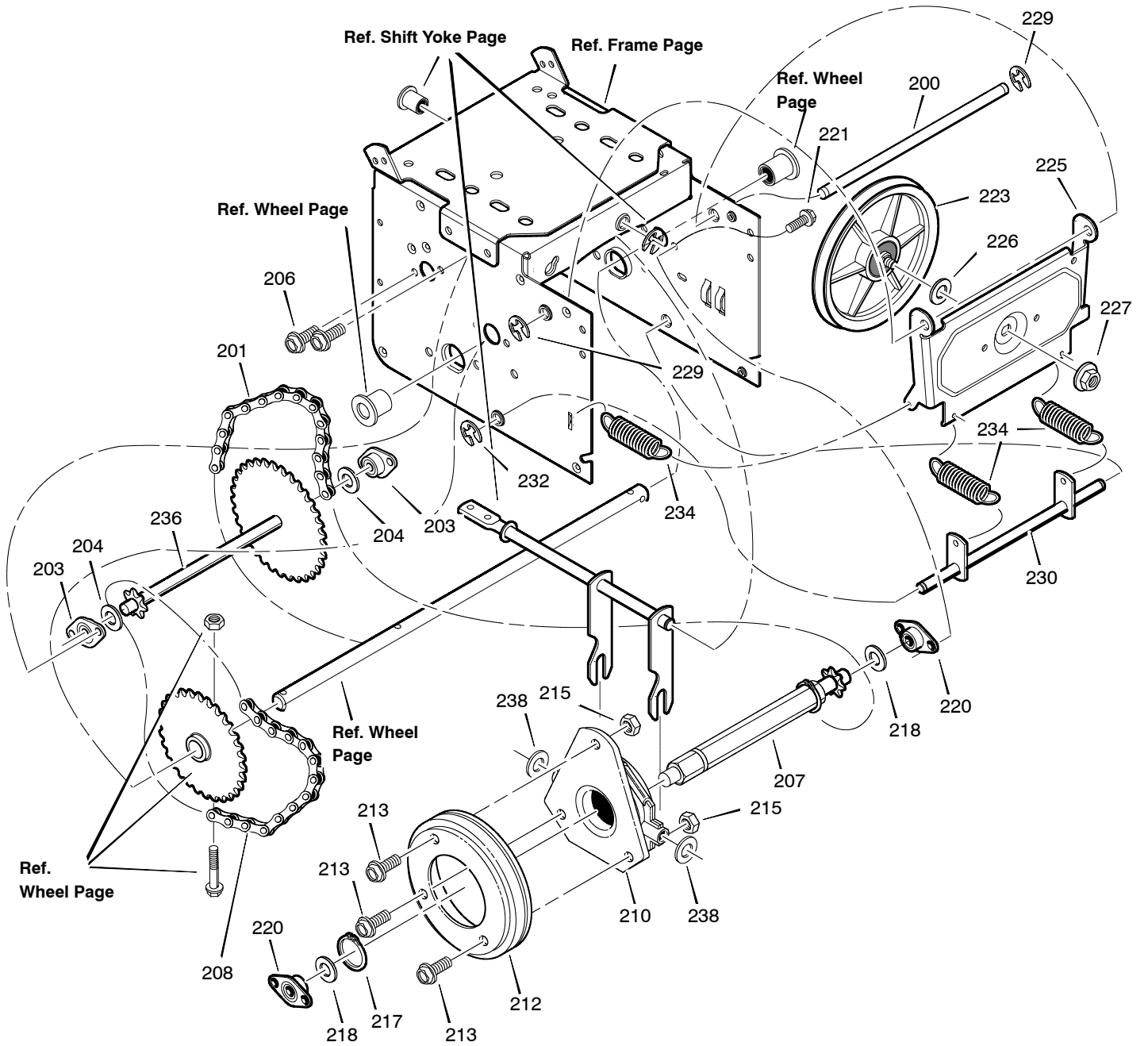
REPAIR PARTS GEAR CASE



Key No.	Part No.	Description	Key No.	Part No.	Description
19	73800400	NUT, HEX LOCK 1/4-20	41	1740307	HOUSING, GEARCASE, RH
27	1740303	WASHER, THRUST, 1"	42	1740305	SEAL, OIL
32	1740292	O-RING	43	1740304	BUSHING, FLANGE, 1"
33	1740293	BUSHING, FLANGE 3/4	44	1740300	KEY, SQUARE 1/4 X 1/4 X 7/8
34	1740295	WASHER, THRUST 3/4	45	1740302	GEAR, WORM
35	1740294	BEARING, THRUST 3/4	46	1740301	SHAFT, AUGER
36	1740297	SHAFT, IMPELLER	47	1740290	HOUSING, GEARCASE, LH
37	1740298	WASHER, THRUST 5/8	48	1740170E736	IMPELLER ASSEMBLY
38	1740299	BUSHING, FLANGE 5/8	49	74780426	SCREW, HEX HEAD 1/4-20 X 1-5/8
39	1740291	SCREW, HEX HEAD 5/16-18 x 3/4	50	1740306	GASKET, GEARCASE
40	1740308	PLUG, CASE	51	1740296	PIN, ROLL 3/16 X 1-1/8
			57	405693	GEARCASE ASSEMBLY COMPLETE



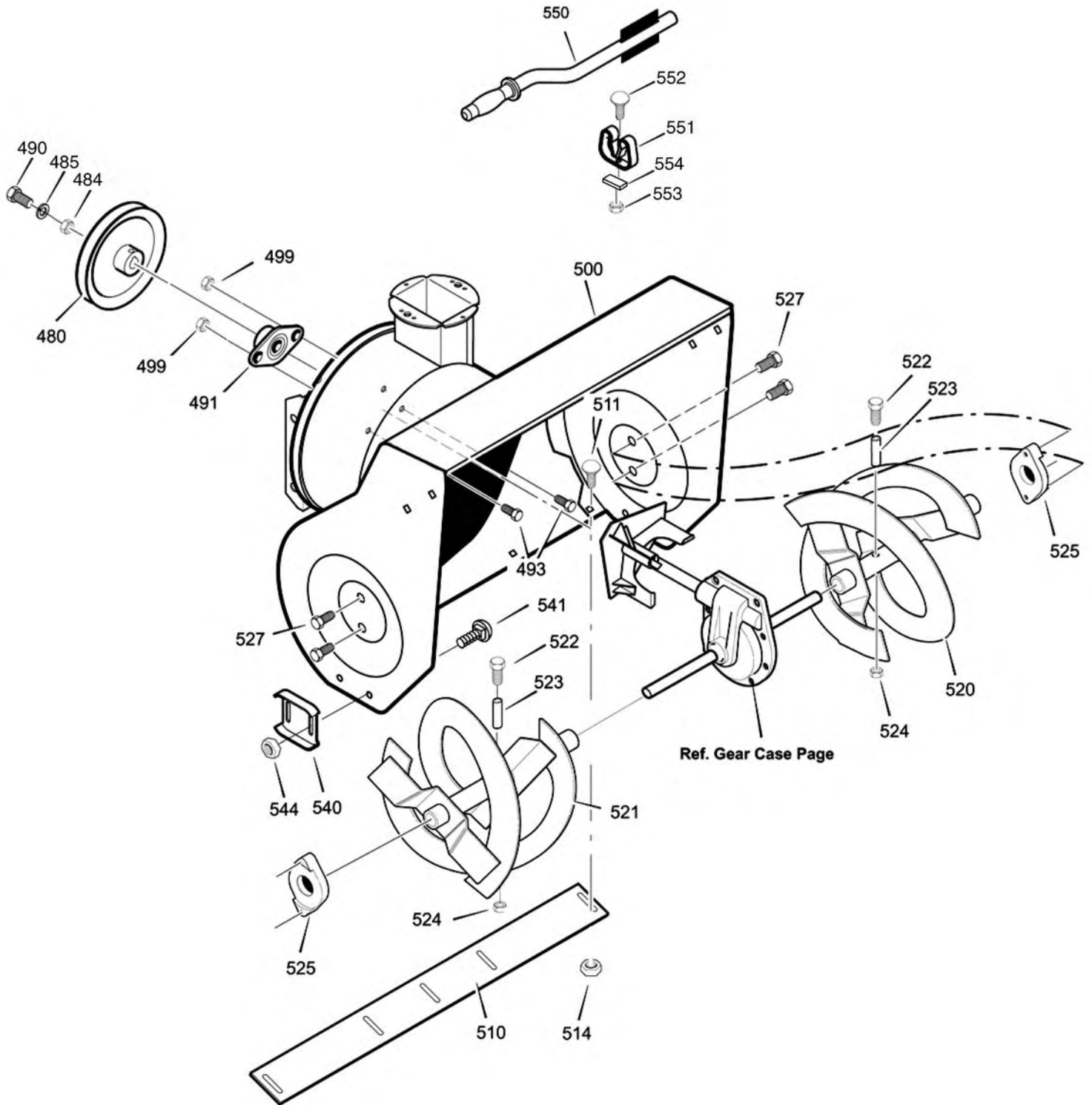
Key No.	Part No.	Description
90	1501055E701	COVER, BOTTOM
91	310169	SCREW, 1/4-20X .63
103	1501226 YZ	IDLER ASSEMBLY, AUGER
105	711682	PIN, HAIR .38DIA X 1.64LG
106	761761	PIN, CLEVIS 3/16" DIA
107	165x159	SPRING, TENSION
108	1740172	ASSY., SPRING ATTACH
110	585781	BOLT, 3/8-16X1.25 CARR.
111	711617	WASHER, FLAT
122	150078	SCREW, TAP 5/16-18 X .75
123	25x020	SCREW, TAP 5/16-18 X .50
148	1502120	PULLEY, IDLER
149	590	NUT, JAM 3/8-16
160	1501053	COVER, BELT
162	405024	SCREW, TAP
167	851074	WASHER, FLAT, HARDENED
168	1502041	SPACER, AUGER BRACKET



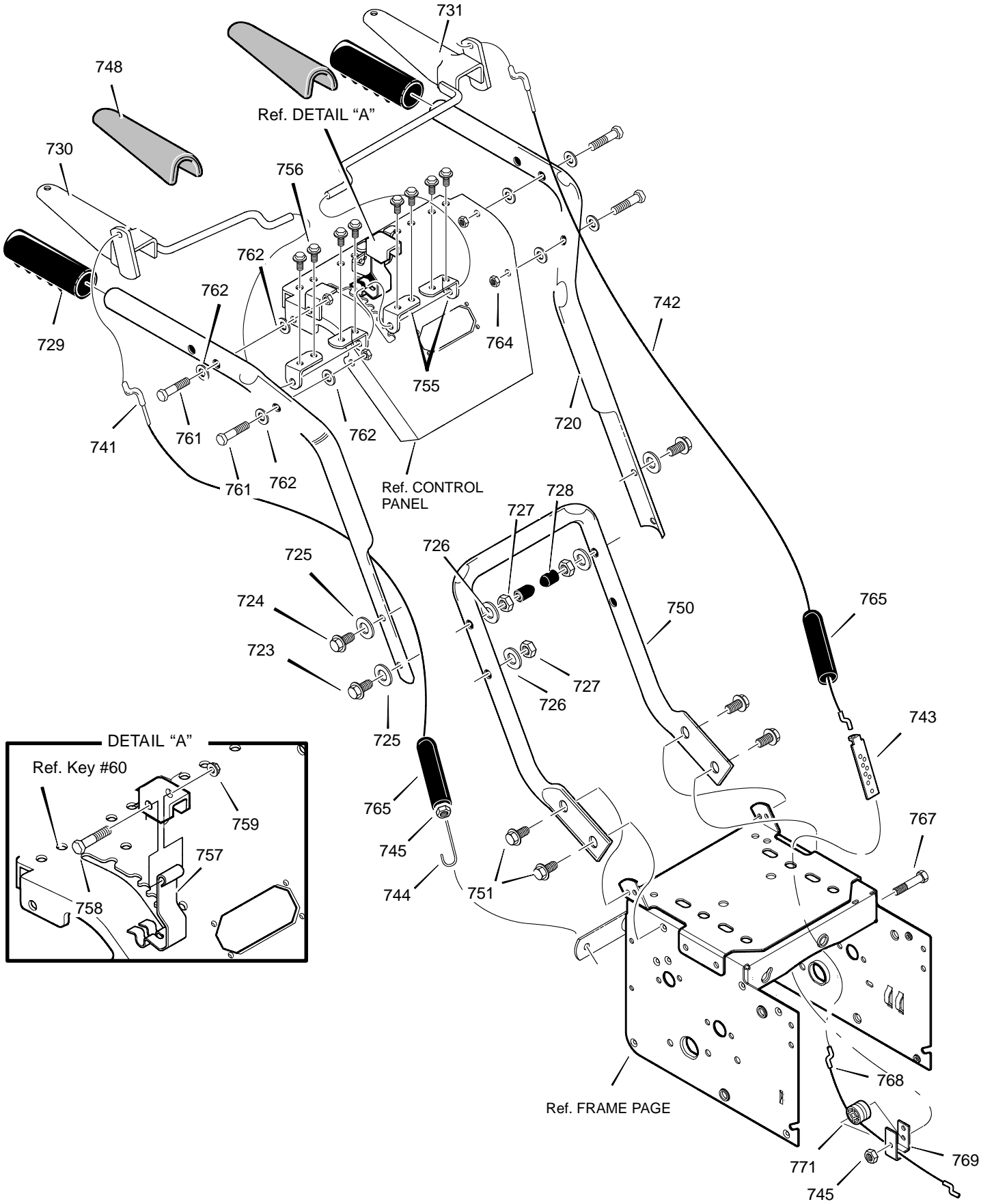
Key No.	Part No.	Description
200	1501092 YZ	LF AXLE, SWING PLATE YZ
201	579851	CHAIN, ROLLER #420x19.00
203	334163	BEARING AND RETAINER, ASSY
204	579858	WASHER
206	25x020	SCREW, TAP 5/16-18x0.5
207	1501100	ASSY, HEX SHAFT
208	579868	CHAIN, ROLLER #420x18.00 LG
210	337029	BEARING, TRUNION CLUTCH R
212	1501435	WHEEL, FRICTION DISC
213	001x38	BOLT
215	303008	NUT, KEPS HEX 1/4-20
217	579859	RING, RETEXT
218	579858	WASHER
220	334163	BEARING AND RETAINER, ASSY
221	25x020	SCREW, TAP 5/16-18 x .5
223	1501115	FRICTION PULLY
225	1501057 YZ	LF PLATE, SWINGING YZ
226	1501158	SPACER, FRICTION PULLEY
227	15X114	NUT, FLANGE LOCK 3/8-24
229	11X30	RETAINER, RING
230	1502106	LF ASSY, SPRING LINK YZ
232	11X30	RETAINER, RING
234	165x112	SPRING, EXTENSION
236	1501090	WLD, INTERMED SPROCKET 33T/7
238	71074	WASHER, FLAT

MODEL 627859x83

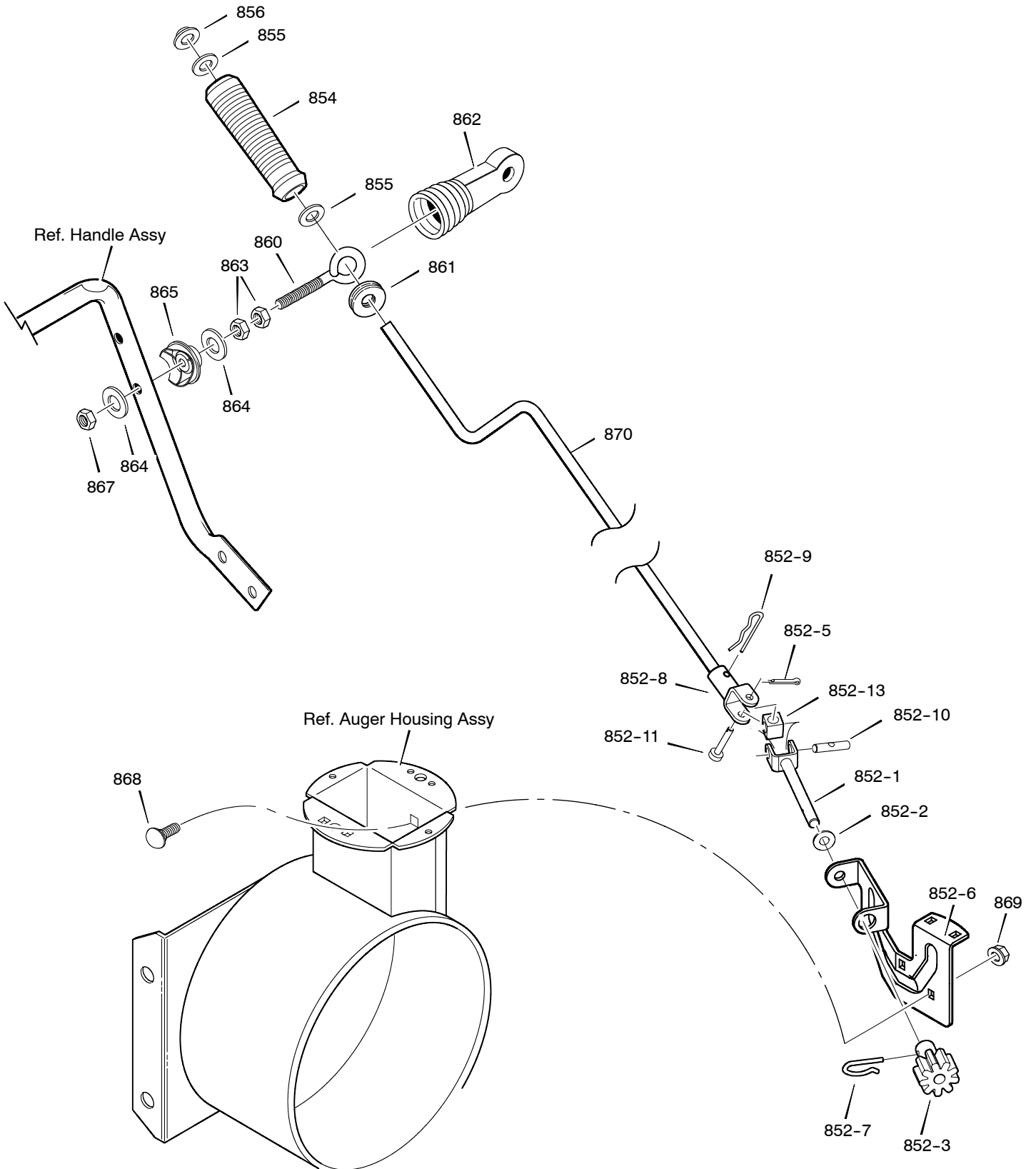
REPAIR PARTS AUGER HOUSING



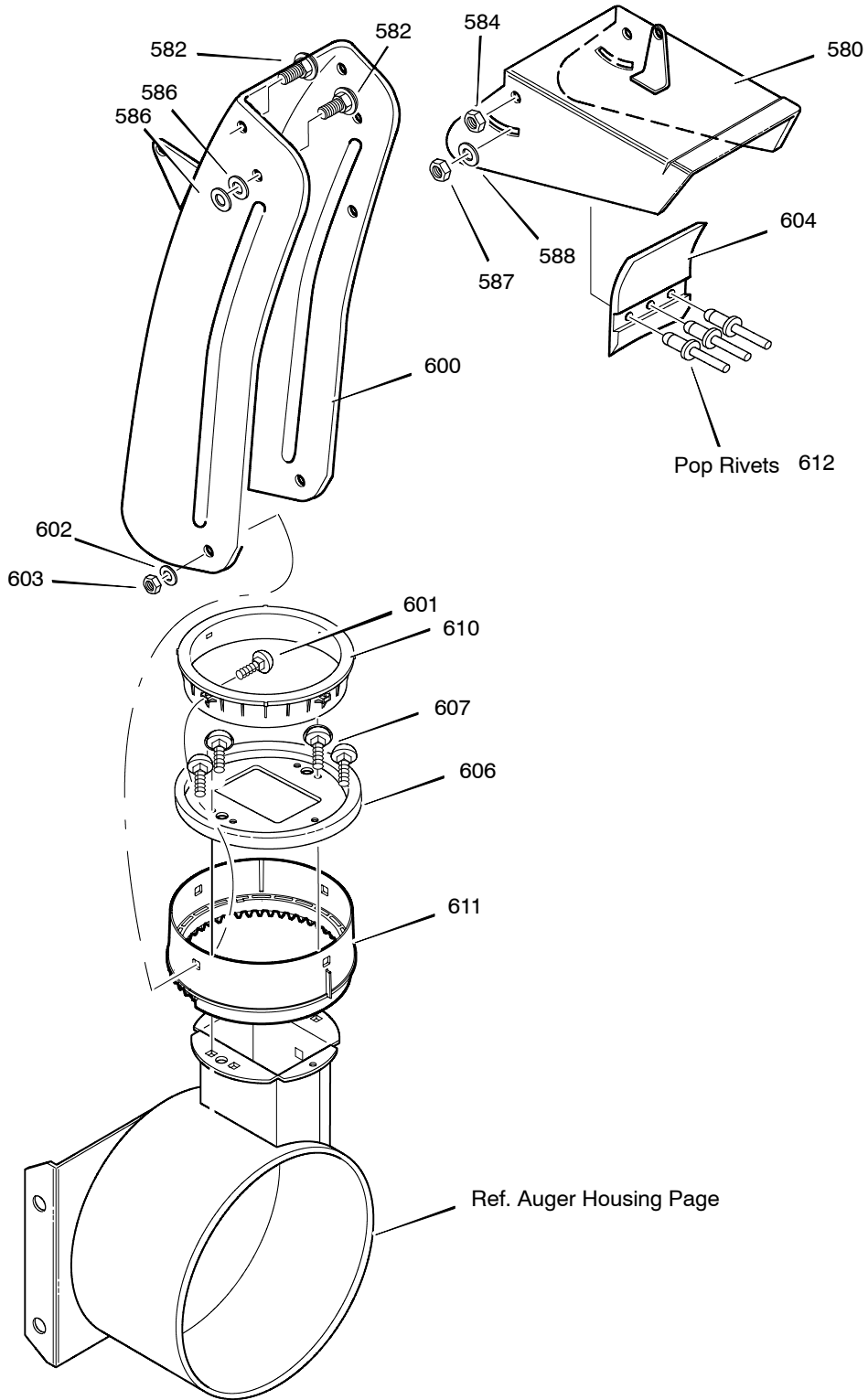
Key No.	Part No.	Description
480	1740177	PULLEY, 4L 8.40 OD
484	19111507	WASHER
485	71060	WASHER
490	74950512	CAPSCREW
491	1740171	BEARING, FLANGE
493	199879	BOLT, HEX 5/16-18X .50
499	710026	NUT, 5/16-18 HEXWDFLLK
500	1740122	HOUSING, ASSY
510	760656E701	BLADE, SCRAPER
511	001x45	BOLT, 5/16-18x0.62
514	710026	NUT, 5/16-18
520	1740174	AUGER, ASSY, LH
521	1740173	AUGER, ASSY, RH
522	9524	SCREW, 1/4-20 X 1.75
523	3943	SPACER, SLEEVE
524	73826	NUT, 1/4-20
525	1740169	BEARING, FLANGE
527	179582	SCREW, 5/16-18X .75
540	762377E701	SKID, HEIGHT ADJUST
541	340720	BOLT, 5/16-18 X .50
544	710026	NUT, 5/16-18
550	1501576	BRUSH, CLEANOUT
551	1501672	CLIP, RETAINER
552	06x115	SCREW
553	15x146	NUT
554	578063	BLOCK
- -	1501216	KIT, SHEAR BOLT



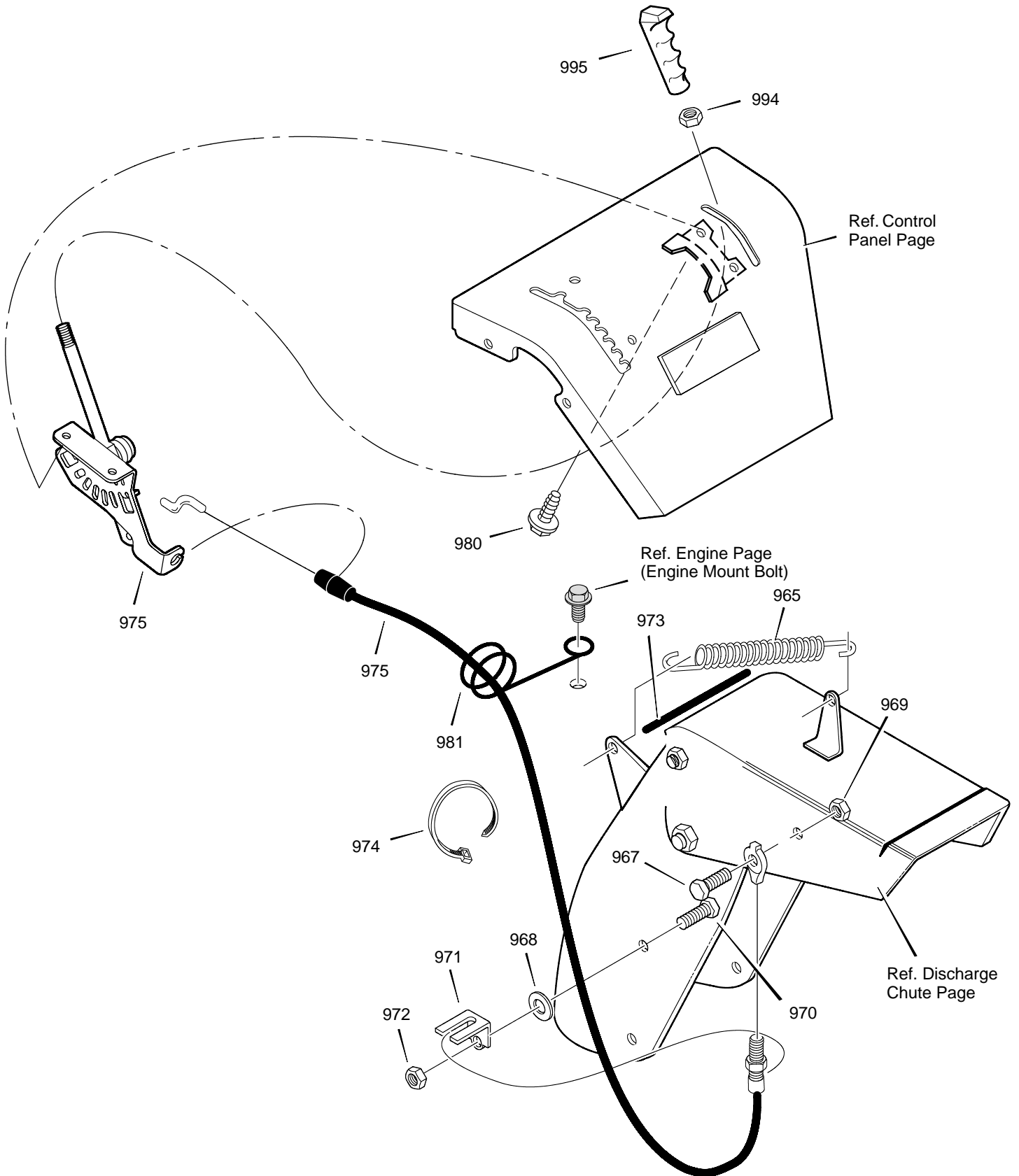
Key No.	Part No.	Description
720	5113E701	HANDLE, UPPER LH
721	5115E701	HANDLE, UPPER RH
723	71007	SCREW
724	7288	SCREW
725	71072	WASHER, FLAT
726	71062	WASHER
727	71044	NUT, REGHEX
728	7289	STOP, PLASTIC
729	761209	GRIP-HANDLE
730	760290 YZ	LEVER, ASSY CLUTCH DRIVE RH
731	760289 YZ	LEVER, ASSY CLUTCH DRIVE LH
741	761589	CABLE, AUGER CLUTCH
742	1501124	CABLE, AUGER DRIVE
743	313441	BRACKET, CABLE ADJUSTER
744	1673	SPRING, AUGER CLUTCH
745	15x145	NUT, 1/4-20
748	760992	GRIP, CLUTCH HANDLE
750	5543E701	HANDLE, LOWER
751	25x021	SCREW
754	70984	SCREW
755	760201 YZ	BRKT, ROD
756	760858	SCREW
757	760227	SPRING, CAM LOCK
758	45526	BOLT, HEX
759	71038	NUT
761	302900	SCREW
762	71071	WASHER, FLAT
764	710026	NUT, HEX
765	308146	BOOT, CLUTCH SPRING
767	001798	BOLT, HEX 1/4-20 X 1.50
768	1501122	CABLE, LOWER DRIVE 12"
769	1501059 YZ	BRACKET, CABLE SPOOL YZ
771	579860	SPOOL-CABLE, AUGRT CLUTCH



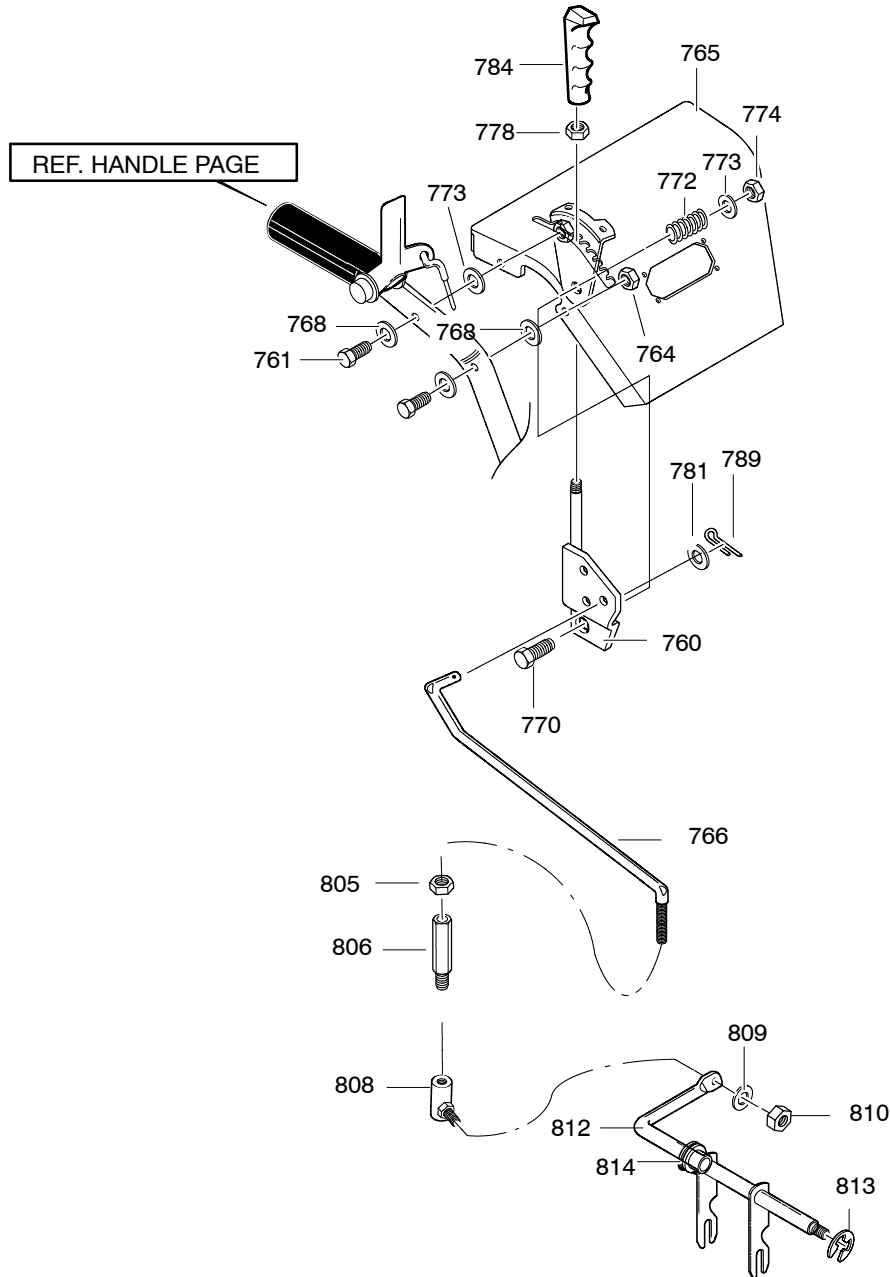
Key No.	Part No.	Description
852-1	1501533	ASSEMBLY, YOKE & ROD
852-2	164X37	WASHER, CURVED SPRING
852-3	1501067	GEAR, CHUTE ROTATION 9T
852-5	579493	PIN, COTTER
852-6	1740157	BRACKET, GEAR MOUNT
852-7	1501293	PIN, HAIR
852-8	1501075 YZ	ASSEMBLY, YOKE ADAPTER YZ
852-9	711682	PIN, HAIR
852-10	578060	PIN, UNIVERSAL JOINT
852-11	578309	PIN, CLEVIS
852-13	578063	HOUSING, UNIVERSAL
854	307399	KNOB, SLEEVE
855	309312	FLATWASHER
856	73664	NUT, PUSH ON 3/8"
860	581618	EYE BOLT 3/8-16X6.00
861	148	GROMMET, EYE BOLT
862	308145	BOOT, EYE BOLT
863	71045	NUT, 3/8-16 HEXJAM
864	71072	FLATWASHER .406X.81X.066
865	309344	ADAPTER, BOOT
867	71046	NUT, 3/8-16 HEXNYL
868	002X98	BOLT, CARRIAGE 1/4-20 X 1.00
869	15x145	NUT, 1/4-20
870	1501074 YZ	CRANK, ASSY CHUTE



Key No.	Part No.	Description
580	761168E701	CHUTE, UPPER W/REMOTE
582	72270506	SCREW, 5/16-18x0.75
584	71038	NUT
586	6711	WASHER, PLASTIC
587	71038	NUT
588	12021	WASHER, PLASTIC
599	578088	SCREW, 5/16-18x0.75
600	761169E701	CHUTE, LOWER W/REMOTE
601	2x100	BOLT
602	71071	WASHER, FLAT
603	71038	NUT
604	762322	FLAP
606	1501991	CHUTE COLLAR
607	405024	BOLT
609	15x145	NUT
610	337227	RETAINER, RING INNER
611	1501282	RETAINER, RING OUTER
612	178775	RIVET,POP



Key No.	Part No.	Description
965	318468	TENSION SPRING
967	310088	BOLT
968	73787	FLATWASHER
969	15x143	NUT
970	313676	SCREW
971	306447 YZ	BRACKET, CABLE CHUTE
972	71391	NUT
973	1001221	TRIM STRIP
974	88426	TIE, CABLE
975	407155	ASSY, CHUTE DEF. CONTROL
980	760858	SCREW
981	780220	WIRE FORM, REMOTE CHUTE CABLE
994	71045	NUT
995	306689	GRIP

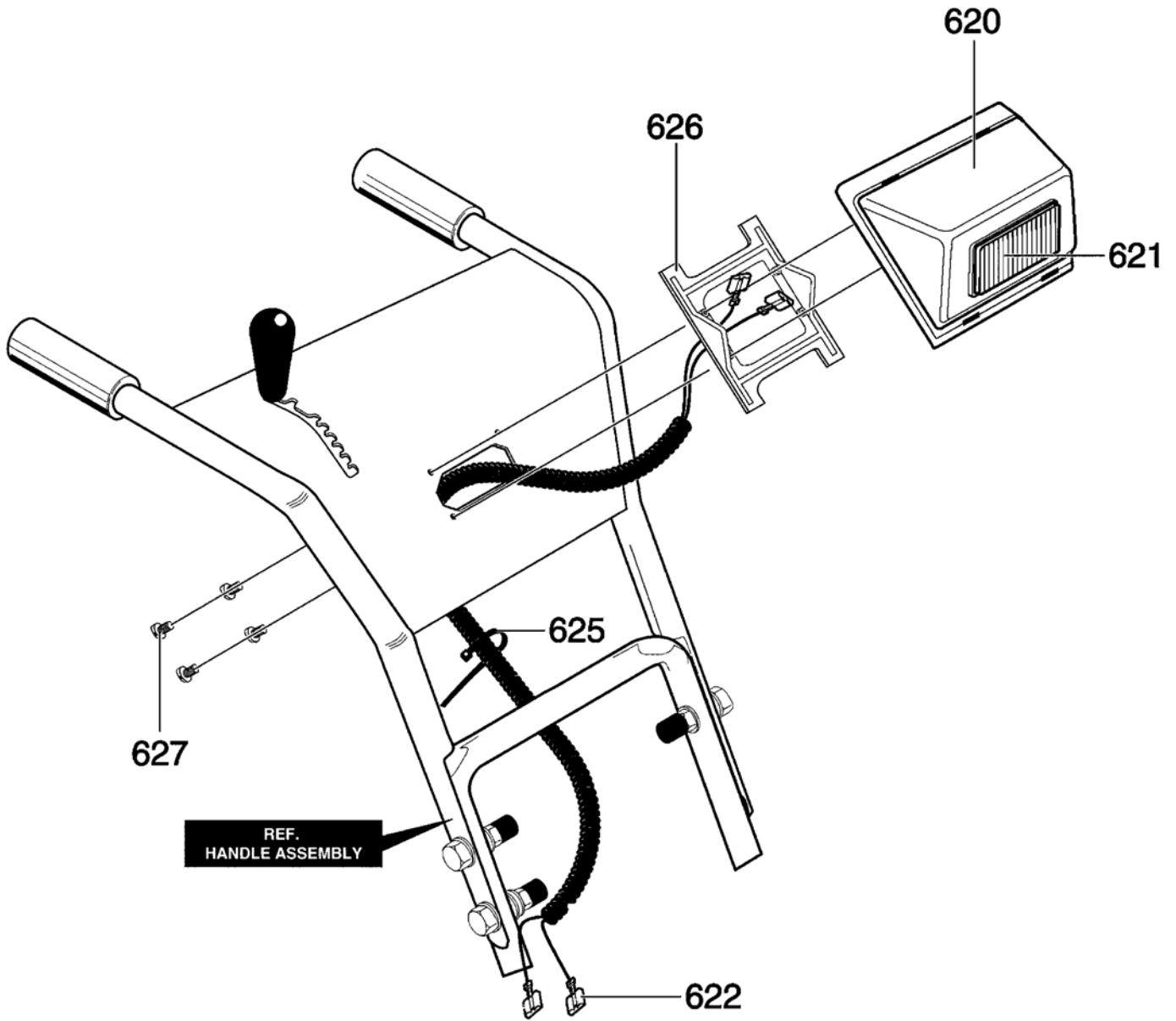


Key No.	Part No.	Description
760	1501632 YZ	HANDLE ASSY SPD CTRL
761	302900	SCREW, 5/16-18X1.75
764	710026	NUT, 5/16-18
765	1501414E012	ASSY. BAY PANEL - LT
766	1501688	ROD, SPEED CONTROL
768	71071	WASHER
770	71007	SCREW 3/8-16X2.00
772	50786	SPRING
773	71072	FLATWASHER
774	71046	NUT, 3/8-16
778	71045	NUT, 3/8-16

Key No.	Part No.	Description
781	71071	FLATWASHER
784	306689	GRIP, HANDLE
789	71081	PIN, COTTER
805	71042	NUT, 5/16-18
806	6352	ADAPTER, SPEED ROD -YZ
808	50782	BALLJOINT, STEEL -YZ
809	71060	WASHER
810	71042	NUT, 5/16-18
812	1501110 YZ	ROD, ASSY YOKE
813	11x30	RING, RETAINER
814	579944	BEARING, FLANGE

MODEL 627859x83

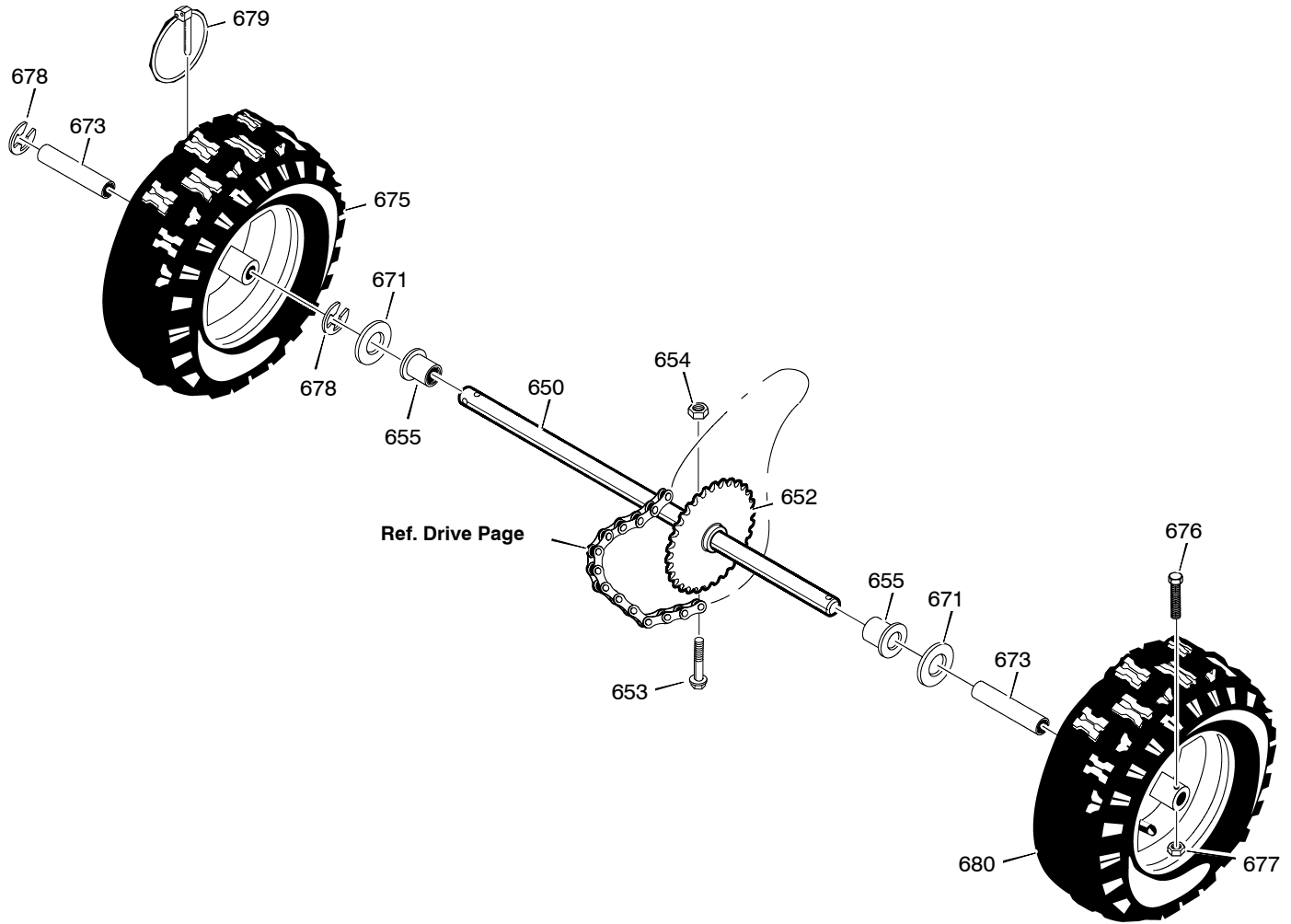
REPAIR PARTS HEADLIGHT



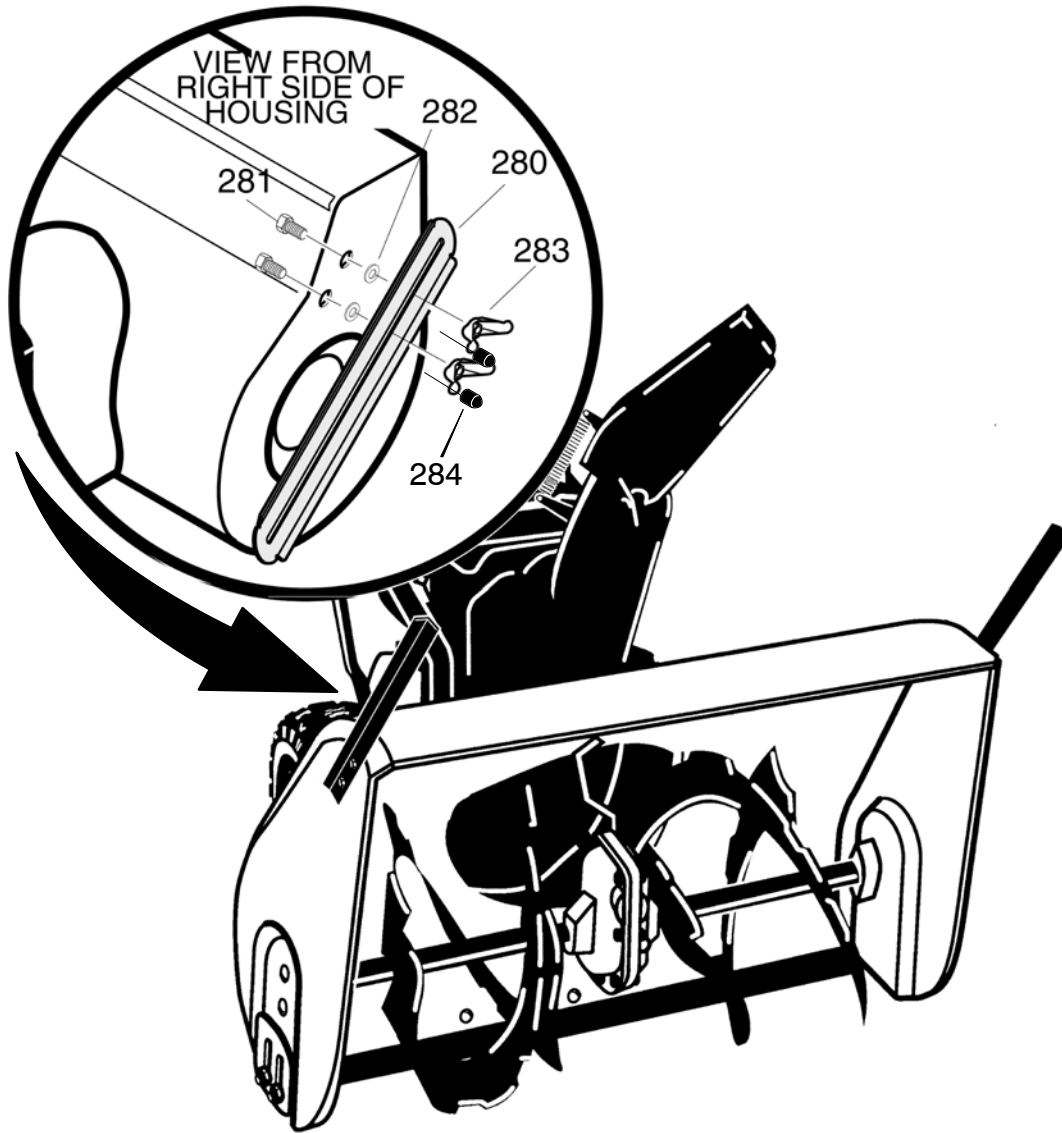
Key No.	Part No.	Description
620	584727	CASE, HEADLIGHT
621	762343	HEADLIGHT ASSY
622	1501036	WIRE, HARNESS
625	66426	CABLE TIE
626	584728	BRACKET, HEADLAMP
627	316042	SCREW

MODEL 627859x83

REPAIR PARTS WHEELS



Key No.	Part No.	Description
650	1501563	SHAFT, AXLE
652	1501089	SPRKT & HUB
653	01x193	SCREW, 1/4-20 x 1.75
654	15x145	NUT, 1/4-20 HEX NYLOCK
655	1501114	BEARING, AXLE
671	017x83	FLATWASHER
673	1501138	BUSHING, WHEEL
675	1740459E717	TIRE & RIM, RIGHT
676	577015	SCREW, 1/4-20X1.75 HH
677	15x145	NUT, 1/4-20 HEX NYLOCK
678	239	RING, RET
679	73842	PIN, KLIK .25 X 1.38 DIA
680	1740458E717	TIRE & RIM, LEFT



Key No.	Part No.	Description
280	405697E701	DRIFT CUTTER
281	340720	BOLT
282	12021	WASHER
283	711604	WINGNUT
284	11261	STOP, PLASTIC