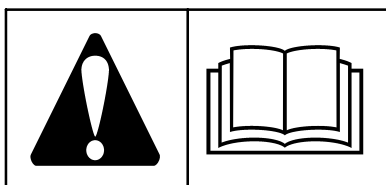


Poulan

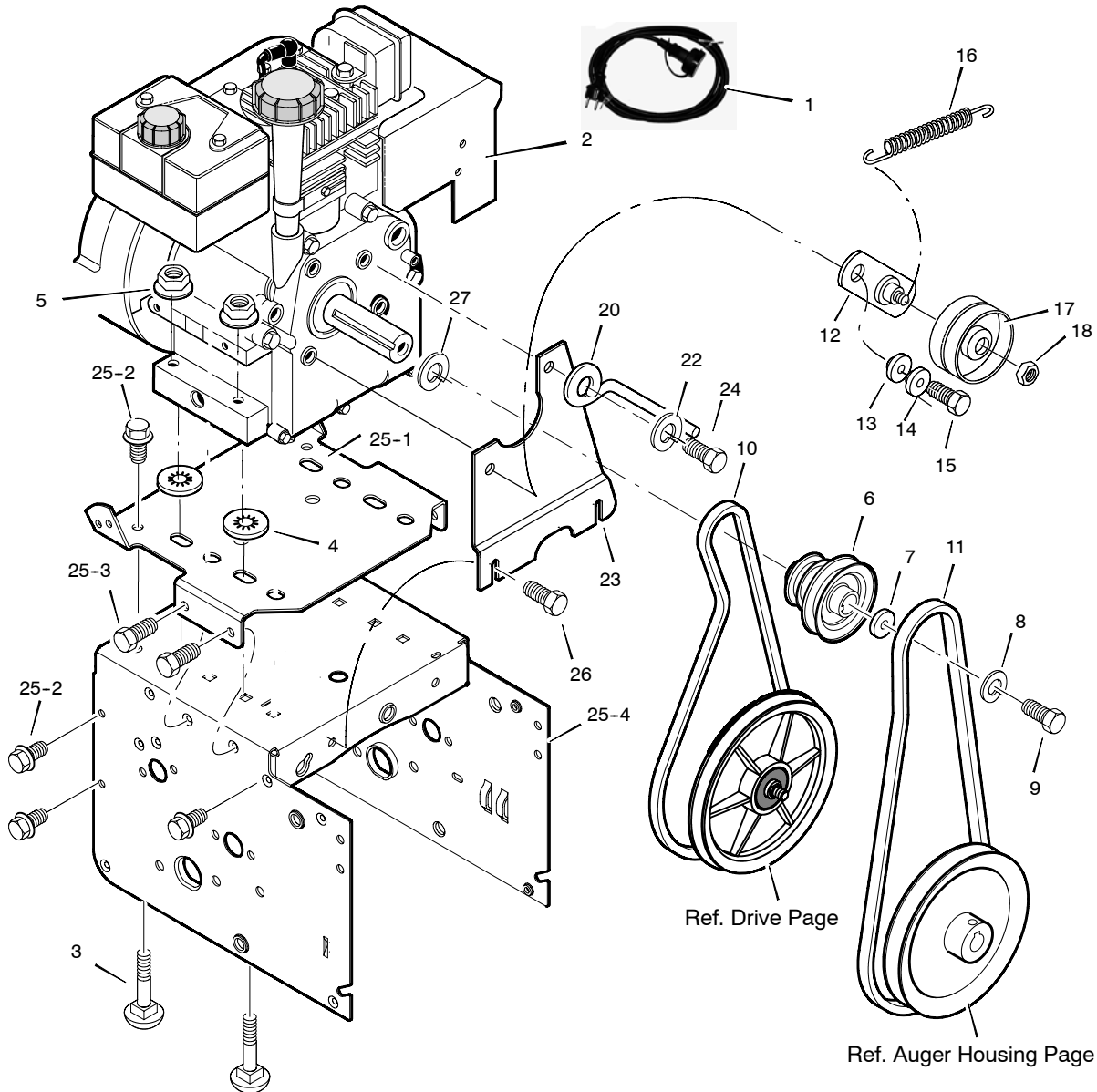
Snow Thrower
Model PO85TE27

(GB) *Operating & Maintenance Instructions*
(F) *Instructions d'utilisation et de maintenance*



MODEL PO85TE27(96198000600)

REPAIR PARTS ENGINE



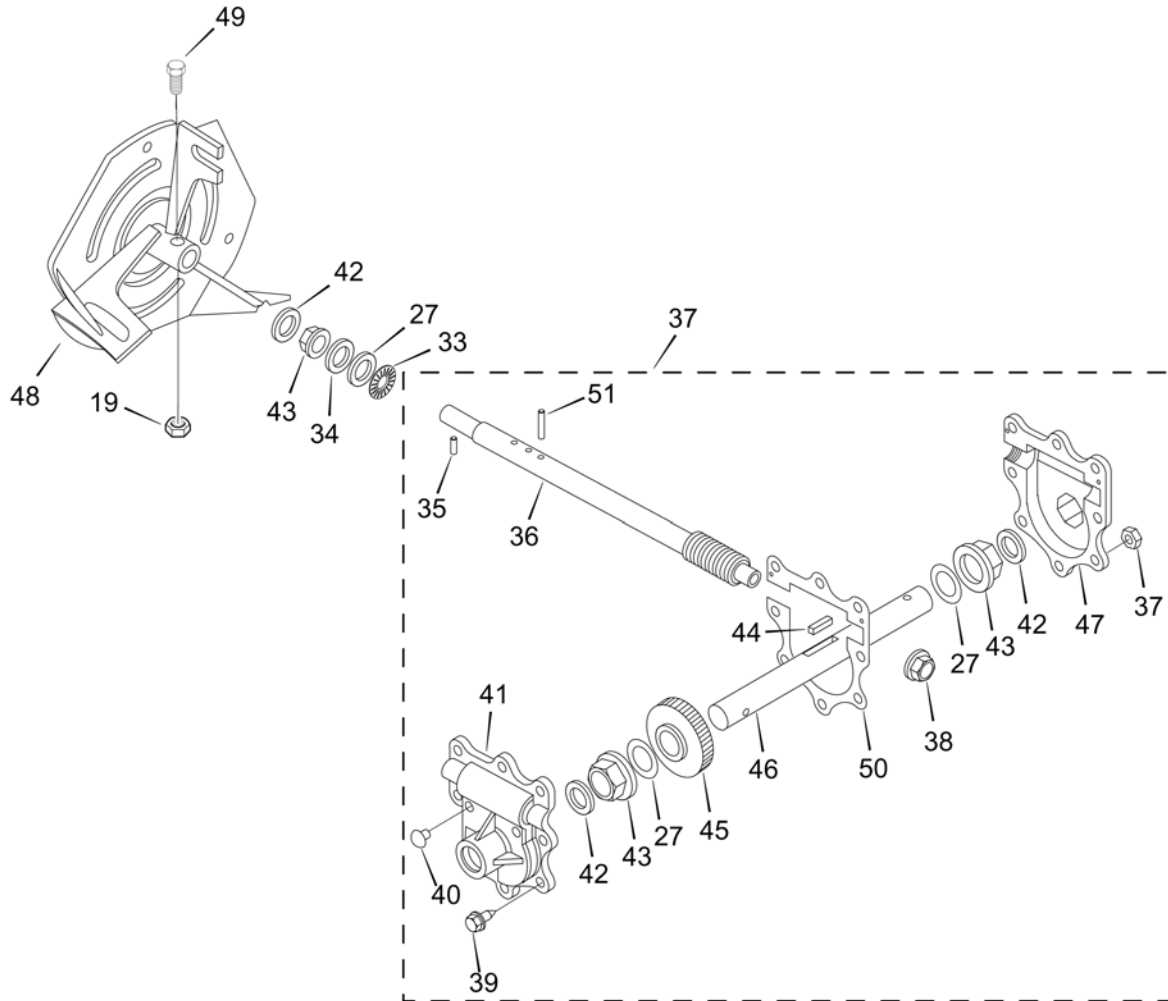
Key No.	Part No.	Description
1	198563	CORD, STARTER
2	LH318SA-15659 4H	TEC ENGINE *
3	198539	BOLT, CARRIAGE 5/16-18
4	198540	RETAINER, PUSH
5	198541	NUT, HEX 5/16-18
6	198542	PULLEY, ENGINE
7	400026	WASHER
8	850263	WASHER .38ID
9	851084	SCREW, 3/8-24X1.00
10	198546	BELT, DRIVE V 3L
11	198548	BELT, AUGER V 4L
12	198558X004	BRACKET ASSEMBLY, IDLER
13	198559	BUSHING, IDLER BRACKET
14	10040500	WASHER,SPLIT

Key No.	Part No.	Description
15	74610516	SCREW 5/16-24X1.00
16	198556	SPRING, IDLER TRACTION DRIVE
17	198561	PULLEY, IDLER
18	198562	NUT, JAM 3/8-16
20	198555	GUIDE, BELT
22	10040500	WASHER, SPTLK .31X.58X.08
23	198549X008	PLATE, ANTI VIBRATION
24	74610516	SCREW, 5/16-24X 1.00
25	-----	FRAME ASSEMBLY
25-1	198784X428	PLATE, ENGINE MOUNT
25-2	198574	SCREW, TAP 1/4-20 X .63
25-3	198584	SCREW, TAP 5/16-18 X .50
25-4	198766X428	FRAME, MOTOR BOX
26	405024	SCREW
27	400025	WASHER
--	406697	OWNER'S MANUAL ENG/FRENCH

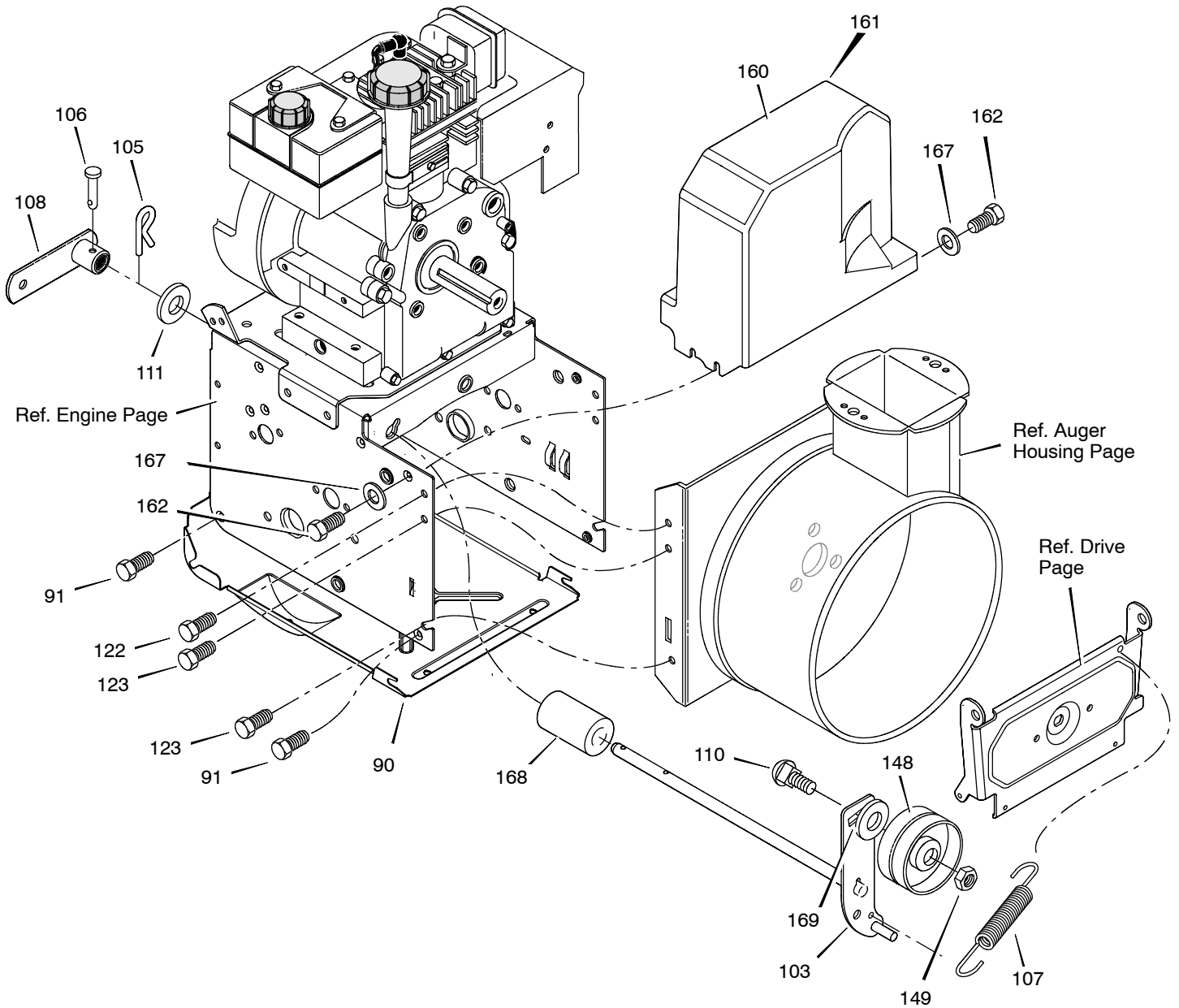
* For information on Replacement Parts contact the Engine manufacturer.

MODEL PO85TE27(96198000600)

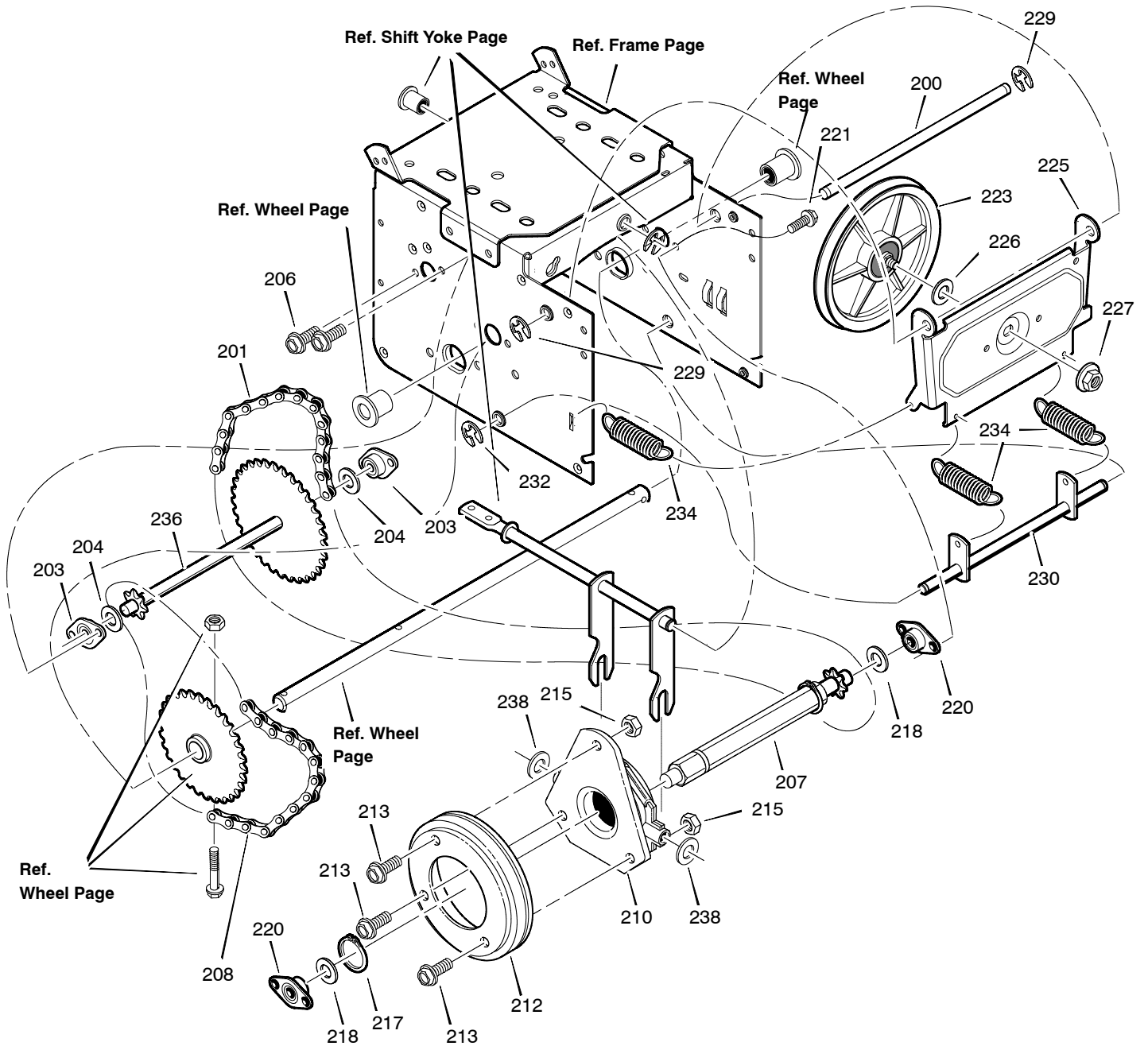
REPAIR PARTS GEAR CASE



Key No.	Part No.	Description	Key No.	Part No.	Description
19	73800400	NUT, HEX LOCK 1/4-20	41	404965	HOUSING, GEARCASE, RH
27	404953	WASHER, FLAT	42	404959	SEAL, OIL
32	404955	NUT, 1/4-20	43	404960	BEARING, FLANGE
33	404956	COLLAR, THRUST	44	404952	KEY, WOODRUFF #605
34	174684	WASHER, THRUST	45	404962	GEAR, WORM
35	404957	PIN, SPRING	46	404950	SHAFT, AUGER OUTPUT
36	404949	SHAFT, AUGER INPUT (IMPELLER)	47	404964	HOUSING, GEARCASE, LH
37	404945	GEARCASE, COMPLETE	48	175321X479	IMPELLER
38	404961	BUSHING, FLANGE	49	74780426	SCREW
39	404954	BOLT 1/4-20 x 3/4	50	404950	GASKET, GEARCASE
40	86447	PLUG	51	7836M	PIN, ROLL



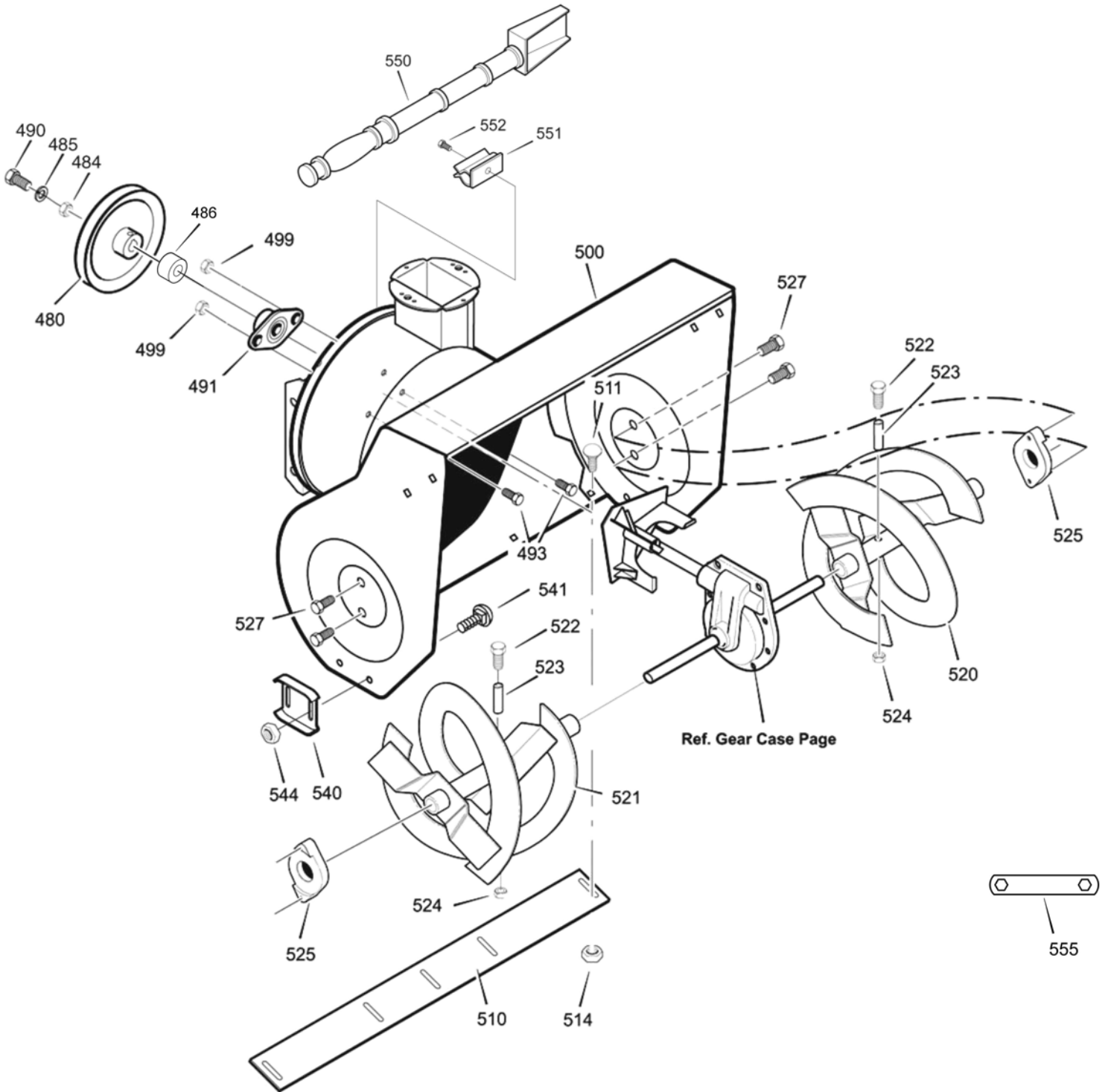
Key No.	Part No.	Description
90	198573X479	COVER, BOTTOM
91	198574	SCREW, 1/4-20X .63
103	198756X008	IDLER ASSEMBLY, AUGER
105	198576	PIN, HAIR .38DIA X 1.64LG
106	198580	PIN, CLEVIS 3/16" DIA
107	198577	SPRING, TENSION
108	405484	ASSY., SPRING ATTACH
110	72110612	BOLT, 3/8-16X1.25 CARR.
111	198578	WASHER, FLAT
122	150078	SCREW, TAP 5/16-18 X .75
123	198584	SCREW, TAP 5/16-18 X .50
148	198561	PULLEY, IDLER
149	73930600	NUT, JAM 3/8-16
160	401350X428	COVER, BELT
161	198865	FOAM
162	405024	SCREW, TAP
167	198638	WASHER, FLAT HARDEND
168	198581	SPACER, AUGER BRACKET
169	198592	WASHER



Key No.	Part No.	Description
200	198600X008	LF AXLE, SWING PLATE YZ
201	198588	CHAIN, ROLLER #420x19.00
203	198591	BEARING AND RETAINER, ASSY
204	198592	WASHER
206	198584	SCREW, TAP 5/16-18x0.5
207	198815	ASSY, HEX SHAFT
208	198596	CHAIN, ROLLER #420x18.00 LG
210	198819	BEARING, TRUNION CLUTCH R
212	198820	WHEEL, FRICTION DISC
213	198822	BOLT
215	73800400	NUT, KEPS HEX 1/4-20
217	405538	RING, RETEXT
218	198592	WASHER
220	198591	BEARING AND RETAINER, ASSY
221	198584	SCREW, TAP 5/16-18 x .5
223	198808	FRICTION PULLY
225	198792X008	LF PLATE, SWINGING YZ
226	198650	SPACER, FRICTION PULLEY
227	73040600	NUT, FLANGE LOCK 3/8-24
229	198945	RETAINER, RING
230	198594X008	LF ASSY, SPRING LINK YZ
232	198945	RETAINER, RING
234	198597	SPRING, EXTENSION
236	198598	WLD, INTERMED SPROCKET 33T/7
238	198599	WASHER, FLAT

MODEL PO85TE27(96198000600)

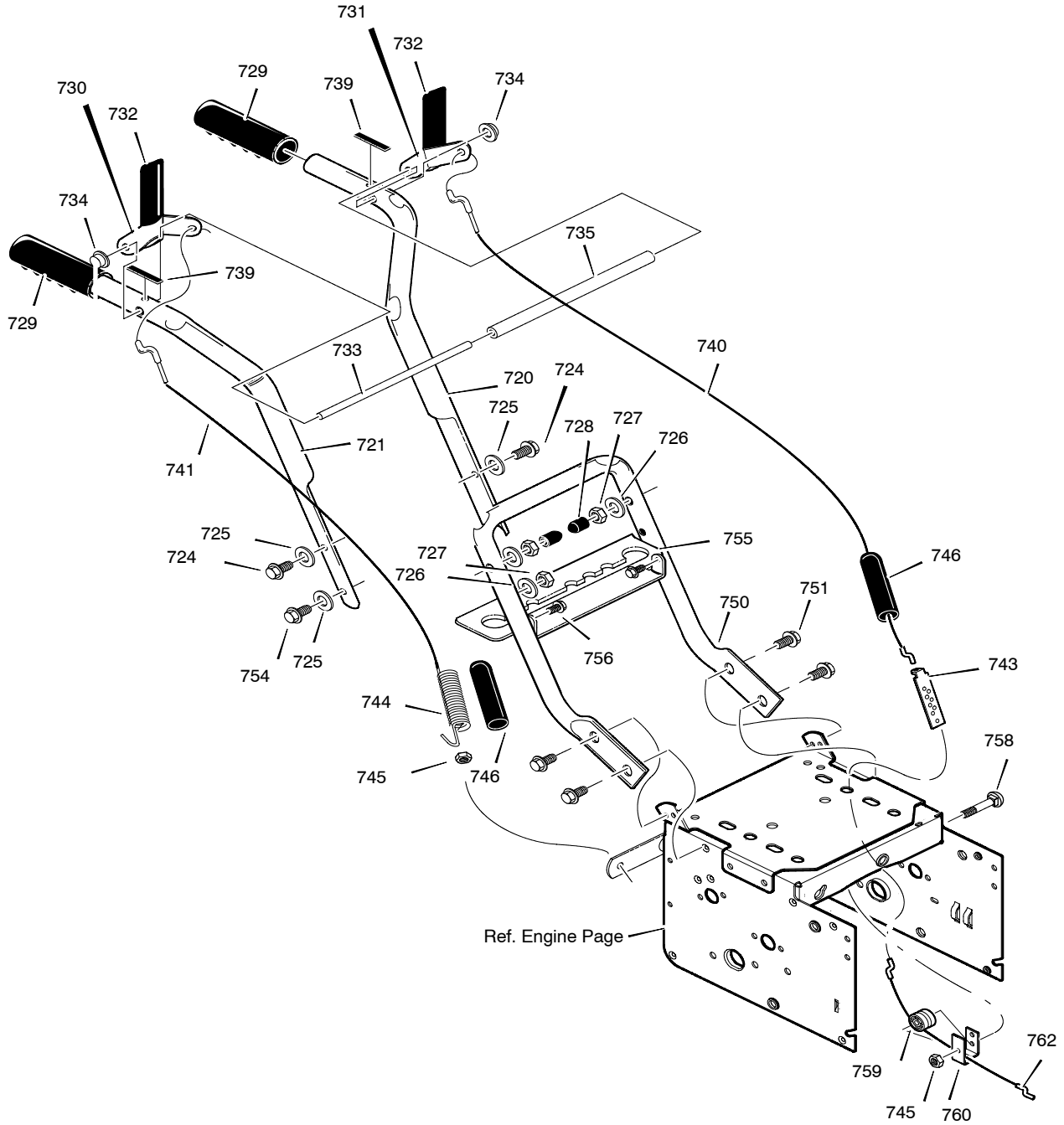
REPAIR PARTS AUGER HOUSING



MODEL PO85TE27(96198000600)

REPAIR PARTS AUGER HOUSING

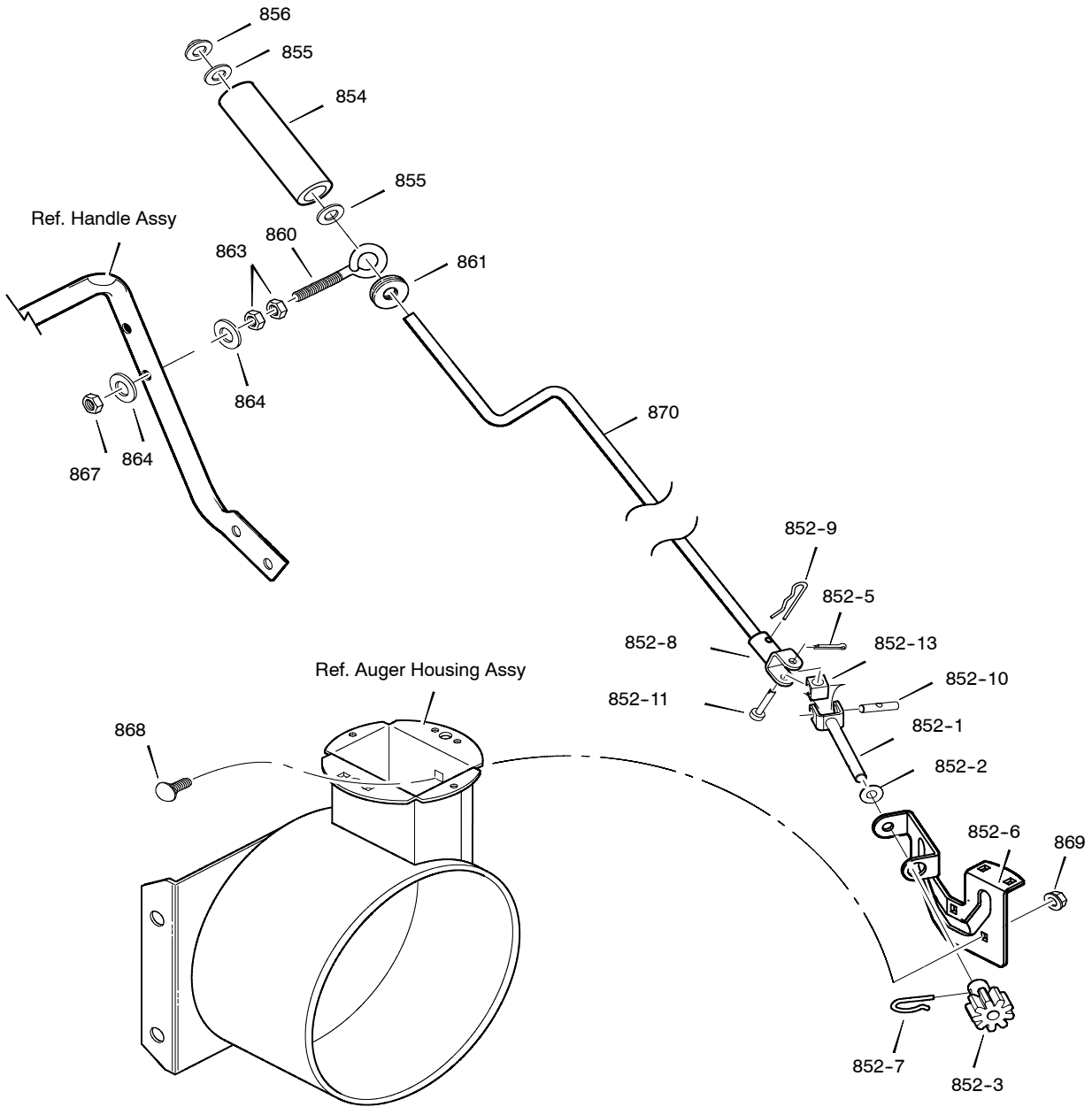
Key No.	Part No.	Description
480	405010	PULLEY, 4L 6.12X .67
490	74950512	SCREW, 5/16-18X.63
484	851074	WASHER, FLAT
485	11050500	LOCKWASHER 5/16
486	407452	SPACER
491	188909	BEARING, BALL
493	199879	BOLT, HEX 5/16-18X .50
499	198541	NUT, 5/16-18 HEXWDFLLK
500	405686X428	HOUSING, ASSY
510	405779X479	BLADE, SCRAPER 27"
511	72270505	BOLT, 5/16-18x0.62
514	198541	NUT, 5/16-18
520	405640X479	AUGER, ASSY, LH
521	405641X479	AUGER, ASSY, RH
522	198636	SCREW, 1/4-20X1.75
523	198638	SPACER, SLEEVE
524	73800400	NUT, 1/4-20
525	405535	BEARING, FLANGE
527	179582	SCREW, 5/16-18X .75
540	406453X479	SKID, HEIGHT ADJUST
541	198648	BOLT, 5/16-18 X .75
544	198541	NUT, 5/16-18
550	192199	BRUSH, CLEANOUT
551	405400	CLIP, RETAINER
552	194189	SCREW
555	401351X007	WRENCH



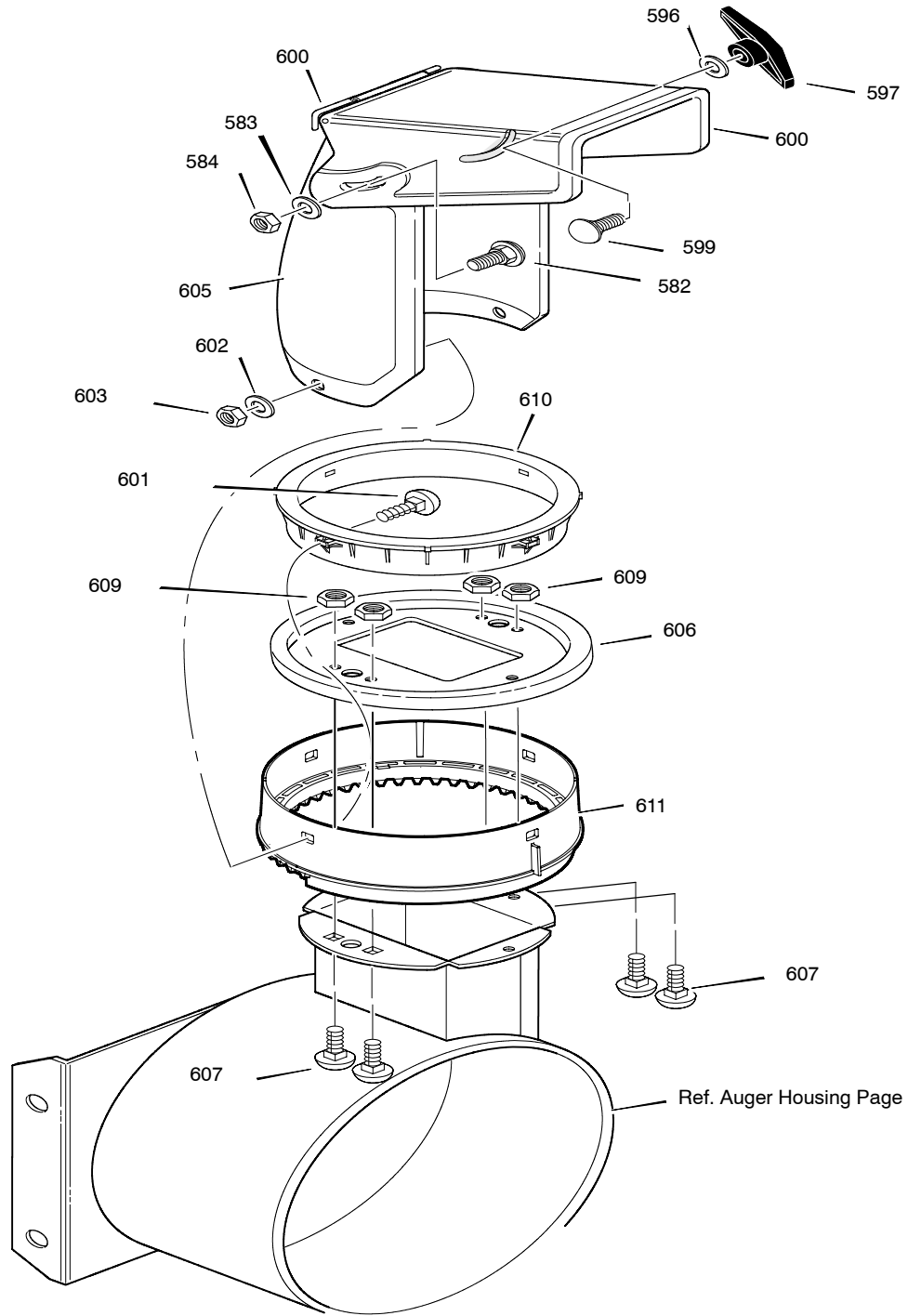
MODEL PO85TE27(96198000600)

REPAIR PARTS HANDLE

Key No.	Part No.	Description
720	198700X479	HANDLE, UPPER LH
721	198701X479	HANDLE, UPPER RH
724	198711	SCREW, 5/16-18X2.75
725	198662	WASHER, FLAT
726	10040500	WASHER, SPTLK .31X.58X.08
727	198683	NUT, 5/16-18 REGHEX YZ
728	198709	STOP, RED PLASTIC
729	198708	GRIP
730	198698X479	LEVER, CLUTCH DRIVE, RH
731	198697X479	LEVER, CLUTCH DRIVE, LH
732	198706	GRIP
733	198710	ROD, PIVOT CLUTCH
734	198713	NUT, PUSH ON CAP
735	198712	SPACER-HANDLE
739	198702	BUMPER, RECTANGLE
740	406165	CABLE, CLUTCH
741	406178	CABLE, AUGER CLUTCH
743	198692	BRACKET, CABLE ADJUSTER
744	198690	SPRING, AUGER CLUTCH
745	73800400	NUT, 1/4-20 NYLOCK YZ
746	198670	BOOT, CABLE SPRING
750	400151X479	HANDLE, LOWER
751	150078	SCREW, TAP 5/16-18 X .75
754	198685	SCREW
755	198699X479	BRKT, GEAR SELECTOR
756	198574	SCREW, 5/16-18X2.00
758	198673	BOLT, HEX 1/4-20 X 1.50
759	198678	SPOOL-CABLE, AUGRT CLUTCH
760	198677X004	BRACKET, CABLE SPOOL YZ
762	406164	CABLE, LOWER DRIVE 12"



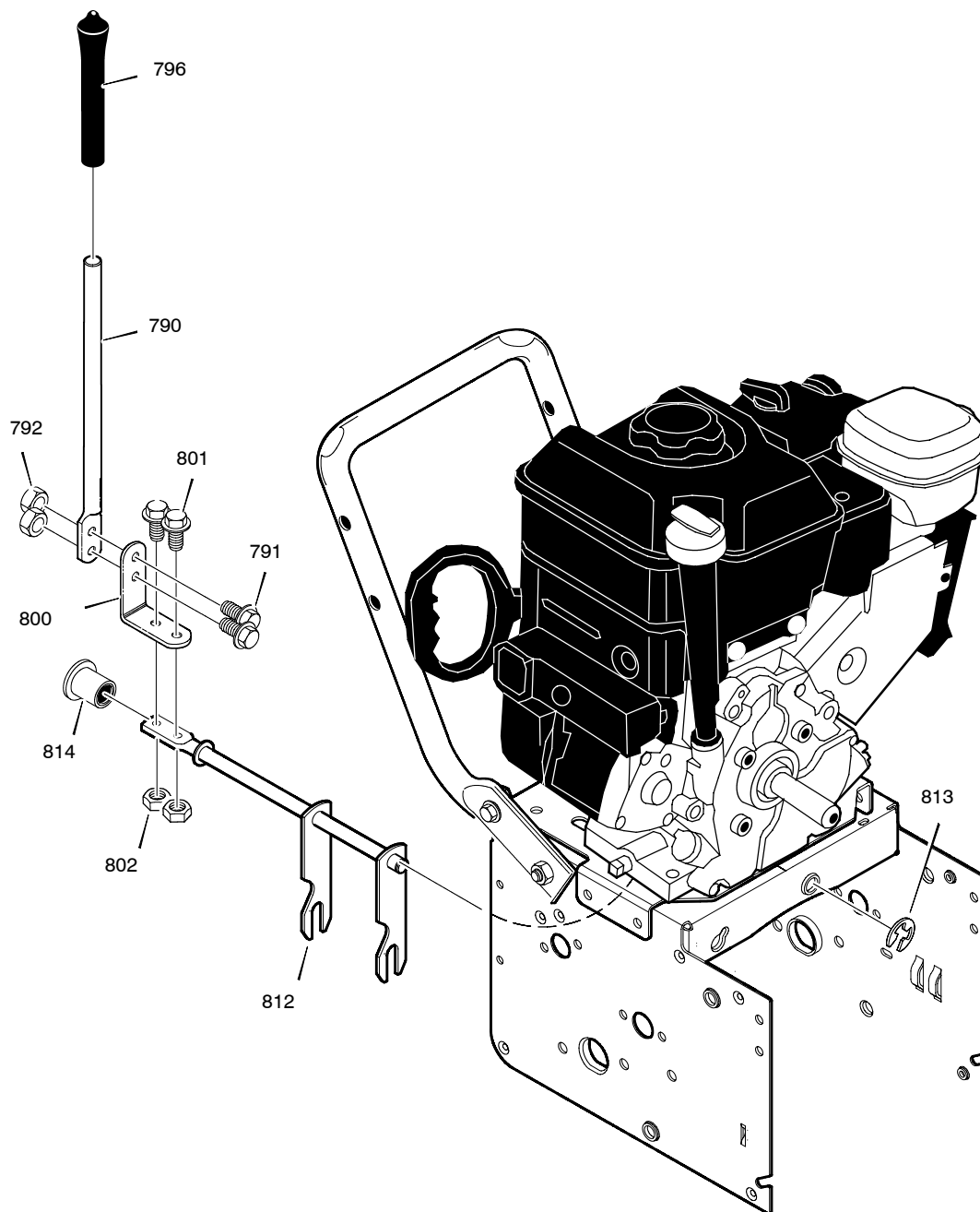
Key No.	Part No.	Description
852-1	198853	ASSEMBLY, YOKE & ROD
852-2	198861	WASHER, COMPRESSION SPRING
852-3	198862	GEAR, CHUTE ROTATION 9T
852-5	400192	PIN, COTTER
852-6	405339	BRACKET, GEAR MOUNT
852-7	198863	PIN, HAIR
852-8	198788	ASSEMBLY, YOKE ADAPTER YZ
852-9	198576	PIN, HAIR
852-10	198878	PIN, UNIVERSAL JOINT
852-11	198860	PIN, CLEVIS
852-13	198570	HOUSING, UNIVERSAL
854	198836X428	KNOB, CRANK
855	198837	FLATWASHER
856	198839	NUT, PUSH
860	198869	EYE BOLT 3/8-16X6.00
861	198841	GROMMET, EYE BOLT
863	198845	NUT, 3/8-16 HEXJAM
864	198873	FLATWASHER .406X.81X.066
867	73800600	NUT, 3/8-16 HEXNYL
868	198634	BOLT, CARRIAGE 1/4-20 X 1.00
869	73800400	NUT, 1/4-20 NYLOCK YZ
870	198734	CRANK, ASSY CHUTE



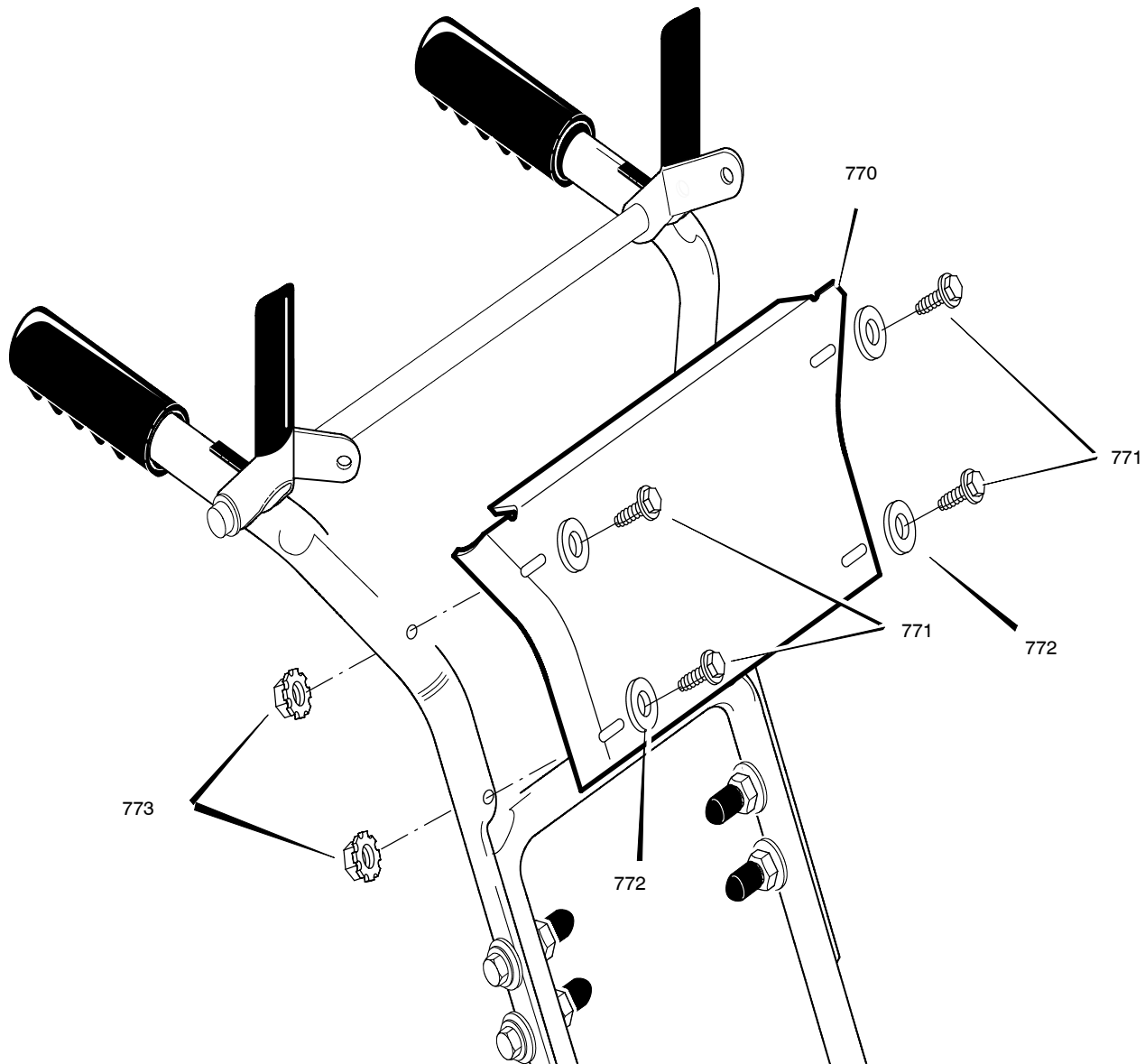
MODEL PO85TE27(96198000600)

REPAIR PARTS DISCHARGE CHUTE

Key No.	Part No.	Description
582	198661	BOLT, 5/16-18 X 1.00 CARG.
583	198662	WASHER, FLAT
584	751153	NUT, 5/16-18 NYLOCK
596	198662	WASHER
597	198851	KNOB, WING 3.00
599	198539	BOLT, 5/16-18X1.5
600	198842	CHUTE UPPER
601	198661	BOLT, CARRIAGE 5/16-18x1
602	198662	WASHER, FLAT
603	73800500	NUT, 5/16-18 HEXNYL
605	198844	CHUTE LOWER
606	198659	CHUTE COLLAR
607	405024	SCREW, 1/4-20 X .75
609	73800400	NUT, 1/4-20 HEX NYLOCK
610	198831	RETAINER RING INNER
611	198833	RETAINER RING OUTER



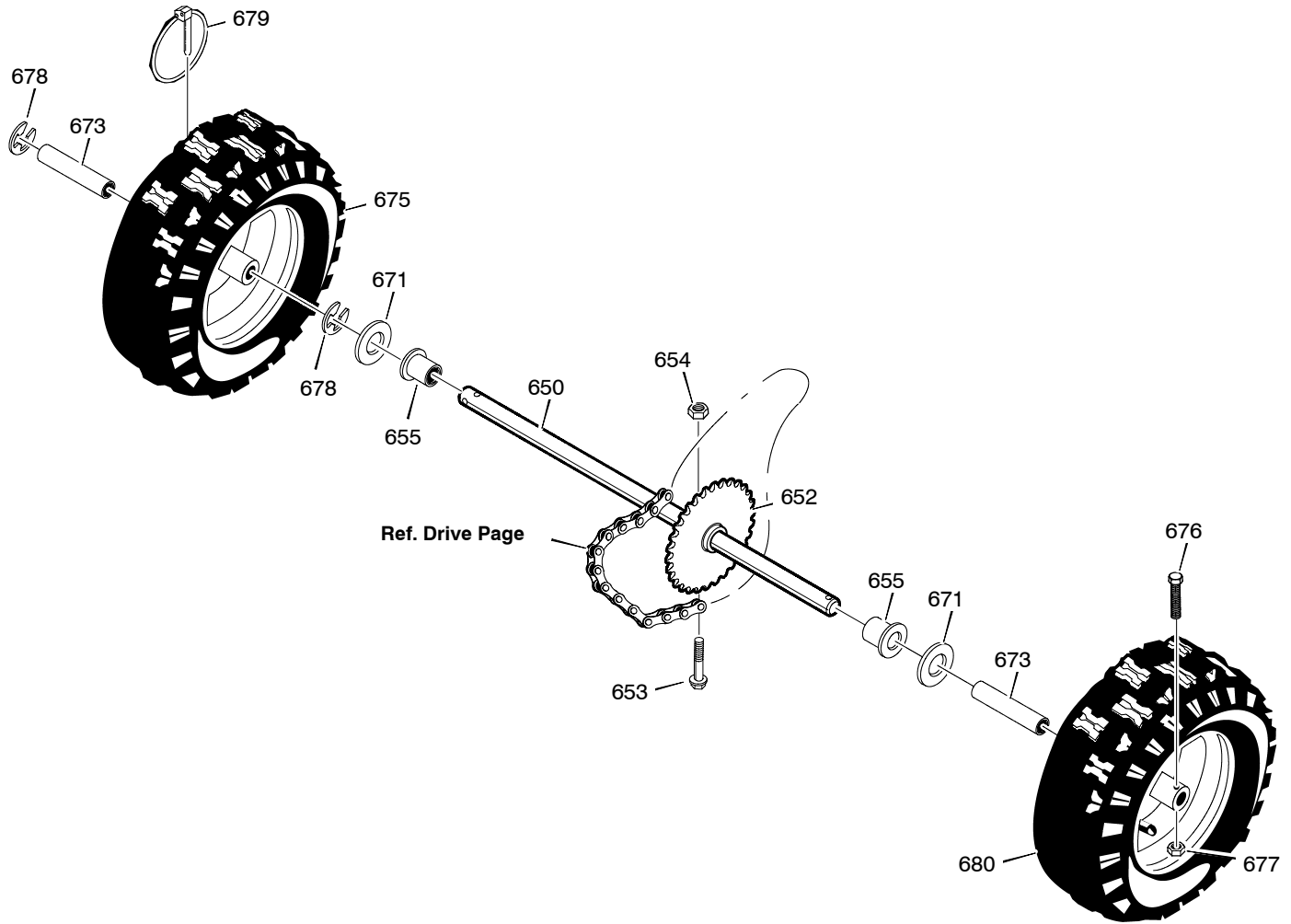
Key No.	Part No.	Description
790	198725X479	ROD, SHIFT
791	198727	SCREW, 1/4-20X.75
792	73800400	NUT, 1/4-20
796	198736	KNOB, SLIP
800	198737	LEVER, SPRING
801	198727	SCREW, 1/4-20X.75
802	73800400	NUT, 1/4-20
812	198732X008	ROD ASSY., SPEED SELECT
813	198945	RETAINER, RING
814	198731	BEARING, FLANGED



Key No.	Part No.	Description
770	198717x428	PANEL
771	198720	BOLT, CARRIAGE
772	198722	WASHER
773	73800400	NUT, 1/4-20 NYLOCK YZ

MODEL PO85TE27(96198000600)

REPAIR PARTS WHEELS



Key No.	Part No.	Description
650	199039	SHAFT, AXLE
652	198679	SPRKT & HUB
653	198667	SCREW, 1/4-20 x 1.75
654	73800400	NUT, 1/4-20 HEX NYLOCK
655	198680	BEARING, AXLE
671	400025	FLATWASHER
673	199040	BUSHING, WHEEL
675	405067x417	TIRE & RIM, RIGHT
676	198674	SCREW, 1/4-20X1.75 HH
677	73800400	NUT 1/4-20 HEX NYLOCK
678	198675	RING, RET
679	155443	PIN, KLIK .25 X 1.38 DIA
680	405066x417	TIRE & RIM, LEFT