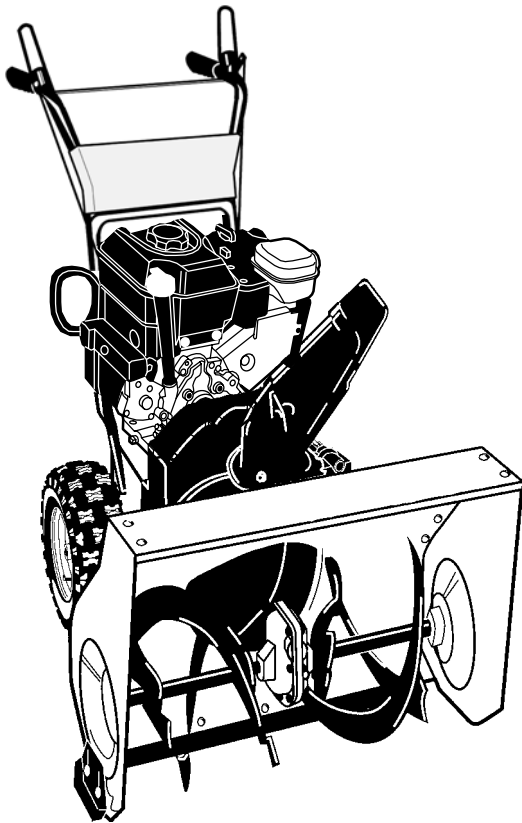
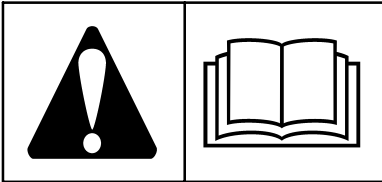


# yardpro

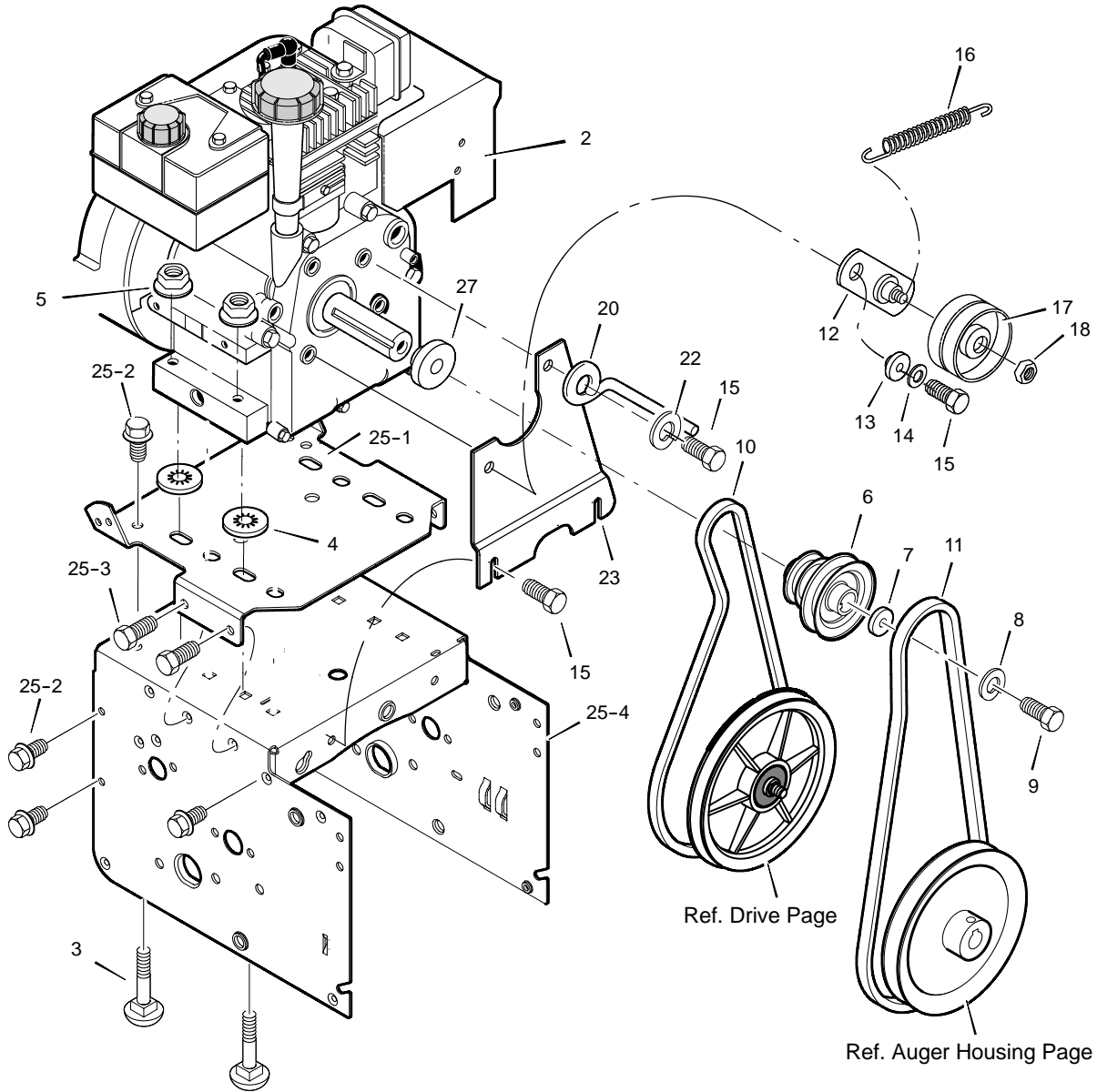
**Snow Thrower**  
**Model 96198001500**

**(GB) Operating & Maintenance Instructions**  
**(F) Instructions d'utilisation et de maintenance**



# MODEL 96198001500

# REPAIR PARTS ENGINE



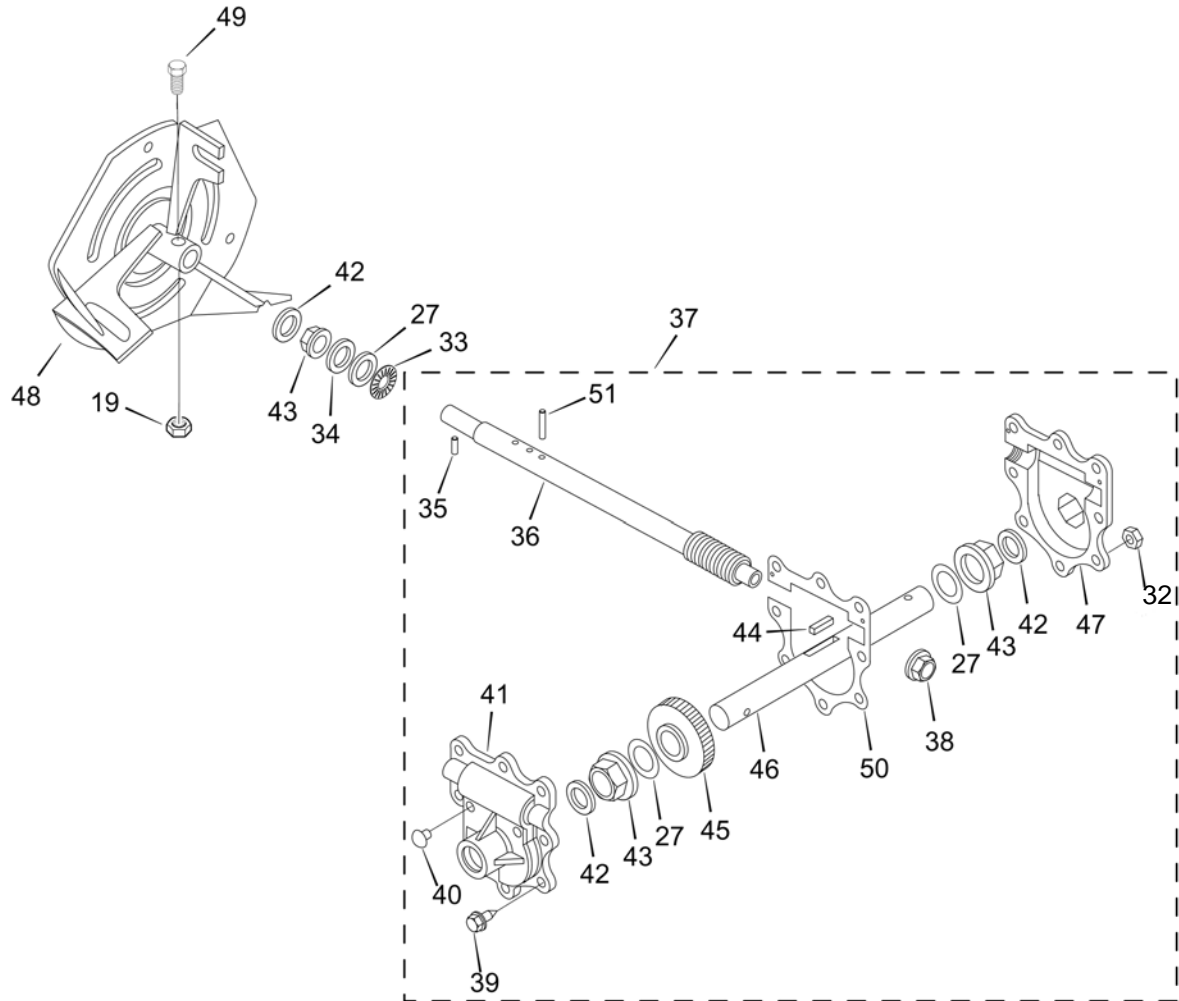
Key No.	Part No.	Description
2	LH3185A-15655 1H	ENGINE *
3	198539	BOLT, CARRIAGE 5/16-18
4	198540	RETAINER, PUSH
5	198541	NUT, HEX 5/16-18
6	198542	PULLEY, ENGINE
7	400026	WASHER
8	850263	WASHER .38ID
9	851084	SCREW, 3/8-24X1.00
10	198546	BELT, DRIVE V 3L
11	400043	BELT, AUGER V 4L
12	1985588004	BRACKET ASSEMBLY, IDLER
13	198559	BUSHING, IDLER BRACKET

Key No.	Part No.	Description
14	59289	WASHER, SPLIT
15	74610516	SCREW 5/16-24 X 1.00
16	198560	SPRING, IDLER TRACTION DRIVE
17	198561	PULLEY, IDLER
18	198562	NUT, JAM 3/8-16
20	198555	GUIDE, BELT
22	10040500	WASHER, SPTLK .31X.58X.08
23	198549X008	PLATE, ANTI VIBRATION
25-1	198784	PLATE, ENGINE MOUNT
25-2	198574	SCREW, TAP 1/4-20 X .63
25-3	198584	SCREW, TAP 5/16-18 X .50
25-4	198766X603	FRAME, MOTOR BOX
27	400025	WASHER
--	407354	OWNER'S MANUAL

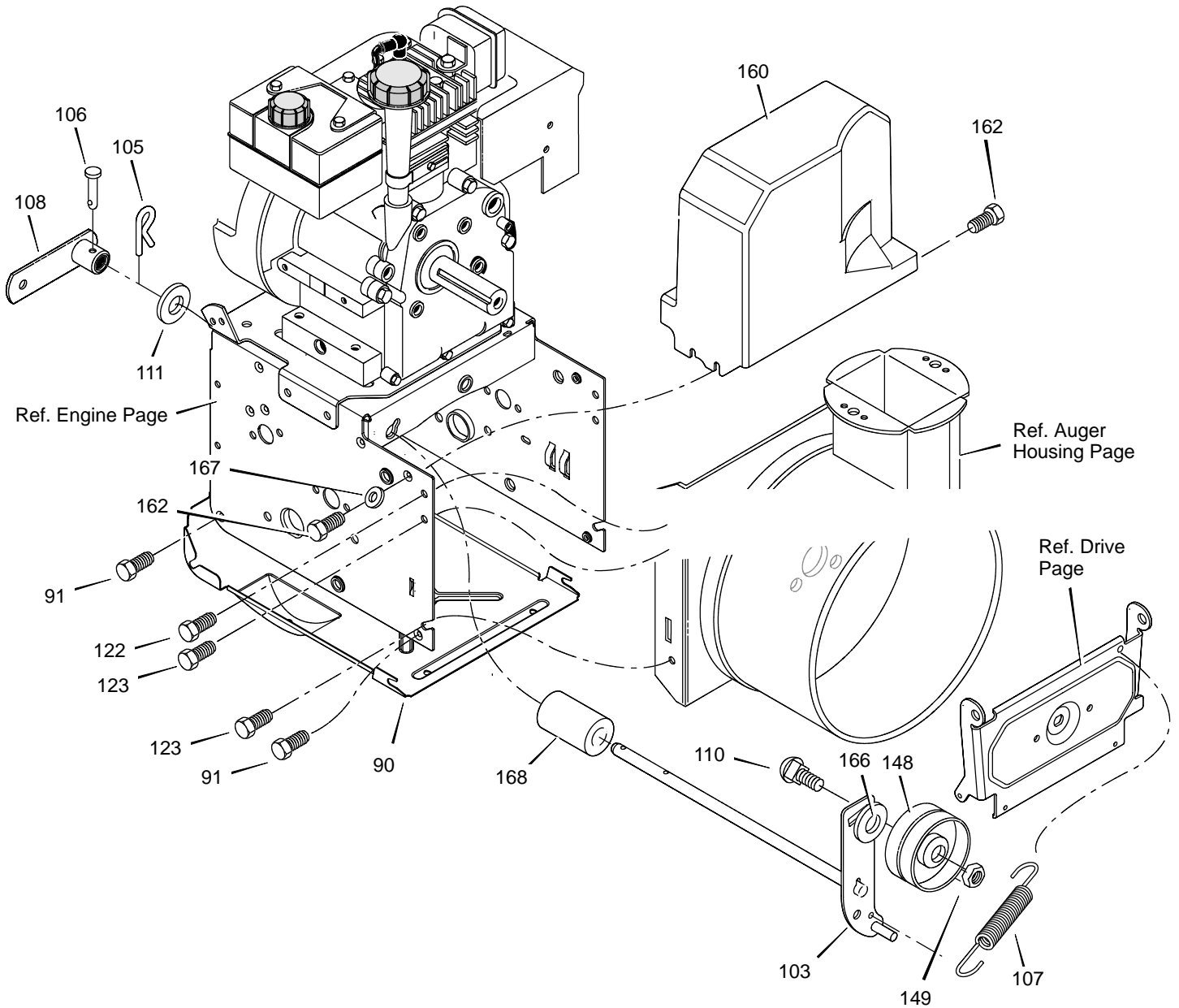
\* For information on Replacement Parts contact the Engine manufacturer.

# MODEL 96198001500

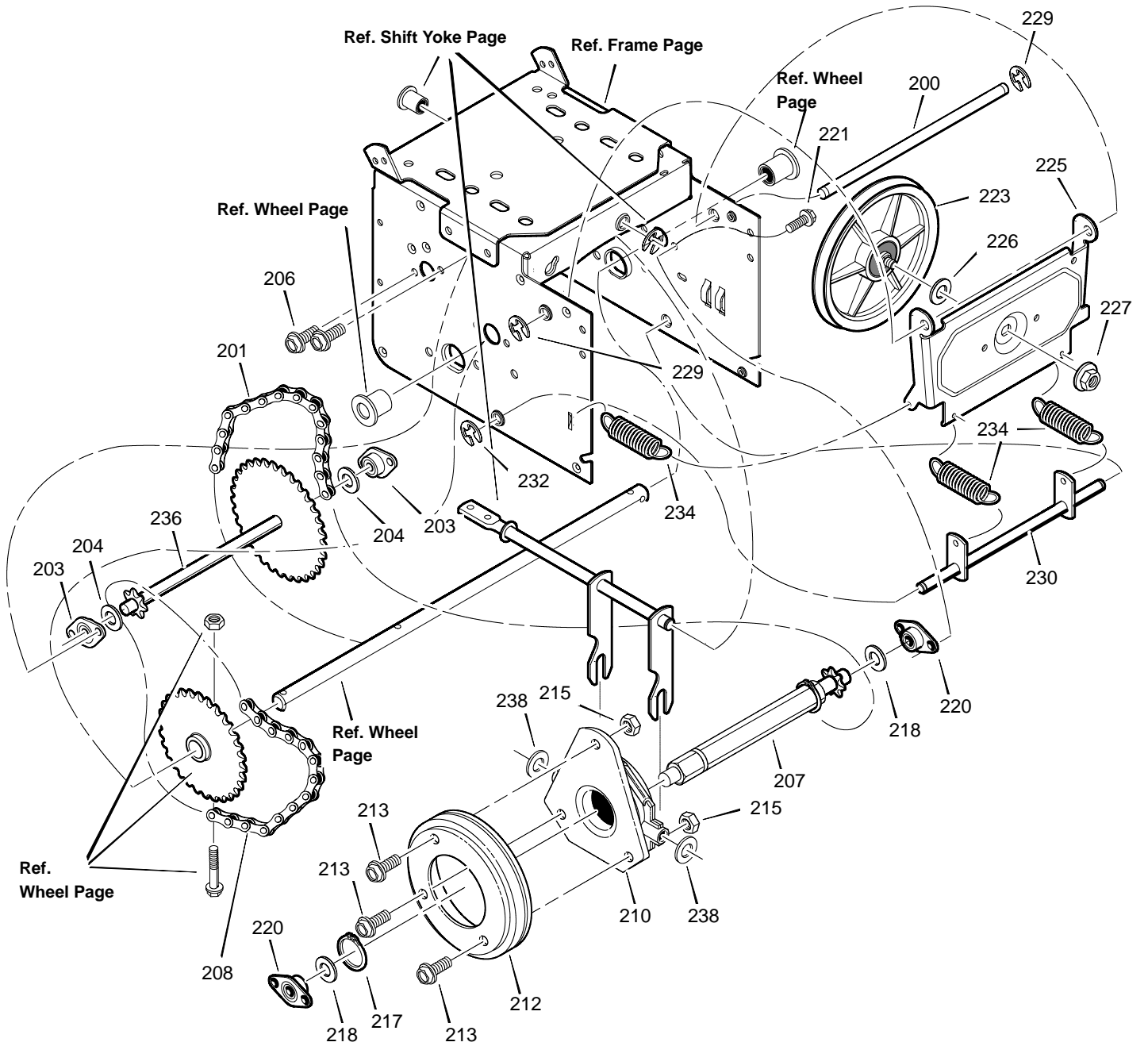
# REPAIR PARTS GEAR CASE



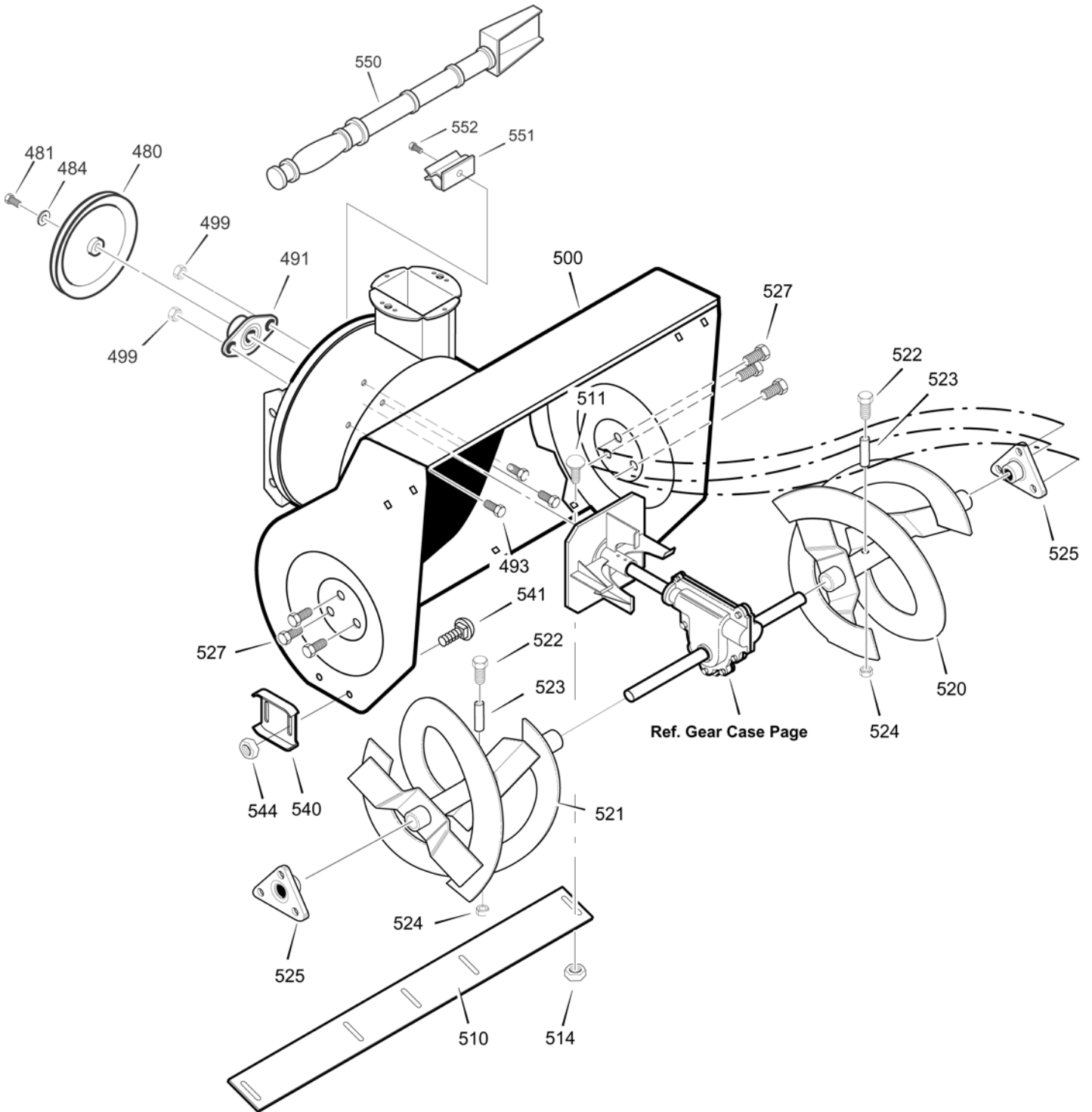
Key No.	Part No.	Description	Key No.	Part No.	Description
19	73800400	NUT, HEX LOCK 1/4-20	41	404965	HOUSING, GEARCASE, RH
27	404953	WASHER, FLAT	42	404959	SEAL, OIL
32	404955	NUT, 1/4-20	43	404960	BEARING, FLANGE
33	404956	COLLAR, THRUST	44	404952	KEY, WOODRUFF #605
34	174684	WASHER, THRUST	45	404962	GEAR, WORM
35	404957	PIN, SPRING	46	404946	SHAFT, AUGER OUTPUT
36	404948	SHAFT, AUGER INPUT (IMPELLER)	47	404964	HOUSING, GEARCASE, LH
37	404944	GEARCASE, COMPLETE	48	405027X479	IMPELLER
38	404961	BUSHING, FLANGE	49	74780426	SCREW
39	404954	BOLT 1/4-20 x 3/4	50	404950	GASKET, GEARCASE
40	B6447	PLUG	51	7B36M	PIN, ROLL



<b>Key No.</b>	<b>Part No.</b>	<b>Description</b>
90	198573X479	COVER, BOTTOM
91	198574	SCREW, 1/4-20X .63
103	406653X008	IDLER ASSEMBLY, AUGER
105	198576	PIN, HAIR .38DIA X 1.64LG
106	198580	PIN, CLEVIS 3/16" DIA
107	400024	SPRING, TENSION
108	405484	ASSY., SPRING ATTACH
110	72110612	BOLT, 3/8-16X1.25 CARR.
111	198578	WASHER, FLAT
123	150078	SCREW, TAP 5/16-18 X .50
148	198561	PULLEY, IDLER
149	73800600	NUT, JAM 3/8-16
160	401350X428	COVER, BELT
162	405024	SCREW, TAP
166	198592	WASHER, FLAT
167	198368	WASHER
168	198581	SPACER, AUGER BRACKET



Key No.	Part No.	Description
200	198600X008	LF AXLE, SWING PLATE YZ
201	198588	CHAIN, ROLLER #420x19.00
203	198591	BEARING AND RETAINER, ASSY
204	198592	WASHER
206	198584	SCREW, TAP 5/16-18x0.5
207	198815	ASSY, HEX SHAFT
208	198596	CHAIN, ROLLER #420x18.00 LG
210	198819	BEARING, TRUNION CLUTCH R
212	198820	WHEEL, FRICTION DISC
213	198822	BOLT
215	73800400	NUT, KEPS HEX 1/4-20
217	405538	RING, RETEXT
218	198582	WASHER
220	334163	BEARING AND RETAINER, ASSY
221	198584	SCREW, TAP 5/16-18 x .5
223	198808	FRICTION PULLY
225	198792X008	LF PLATE, SWINGING YZ
226	198650	SPACER, FRICTION PULLEY
227	73040600	NUT, FLANGE LOCK 3/8-24
229	198945	RETAINER, RING
230	198594X008	LF ASSY, SPRING LINK YZ
232	198945	RETAINER, RING
234	198597	SPRING, EXTENSION
236	198598	WLD, INTERMED SPROCKET 33T/7
238	198599	WASHER, FLAT

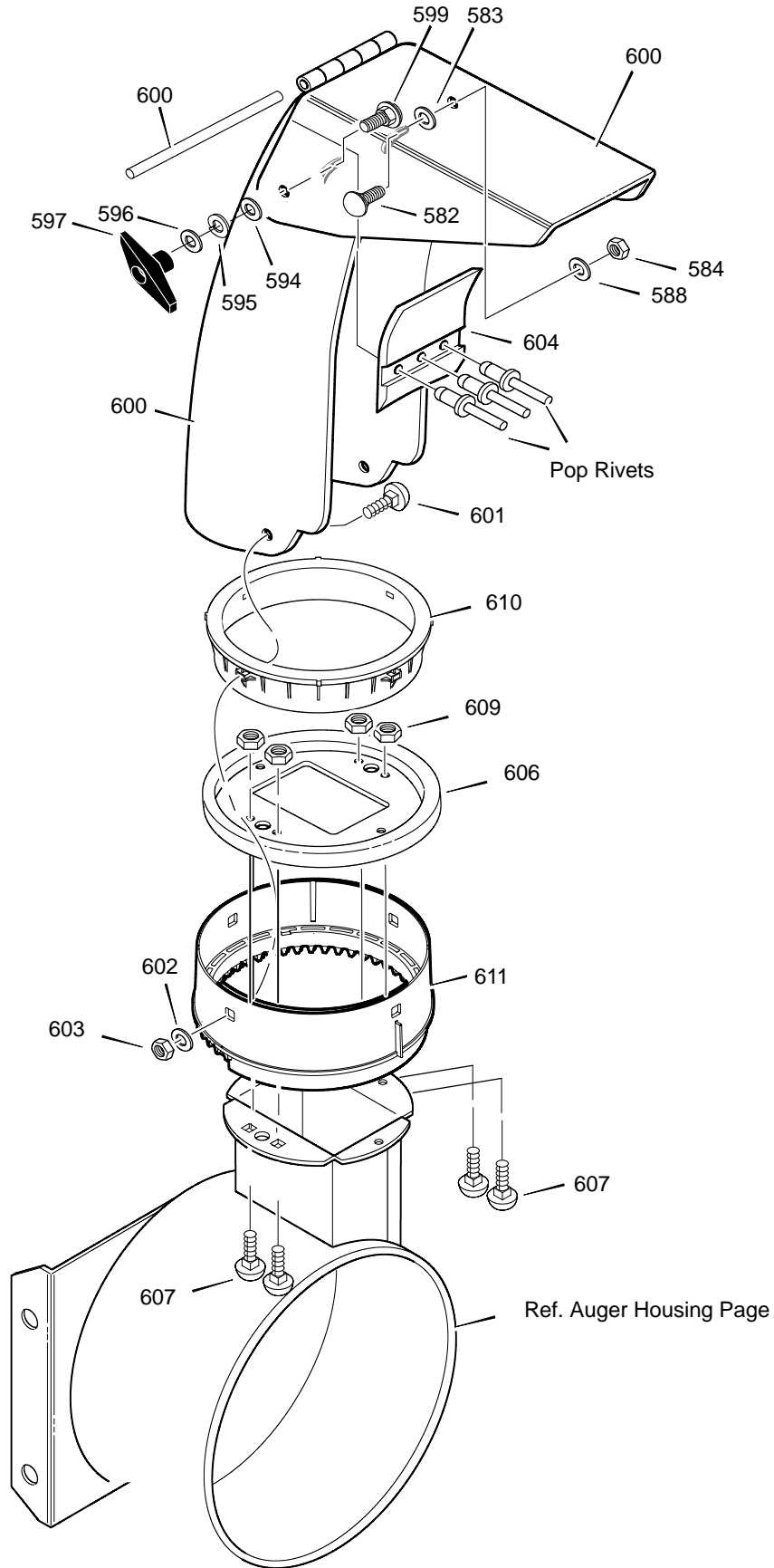




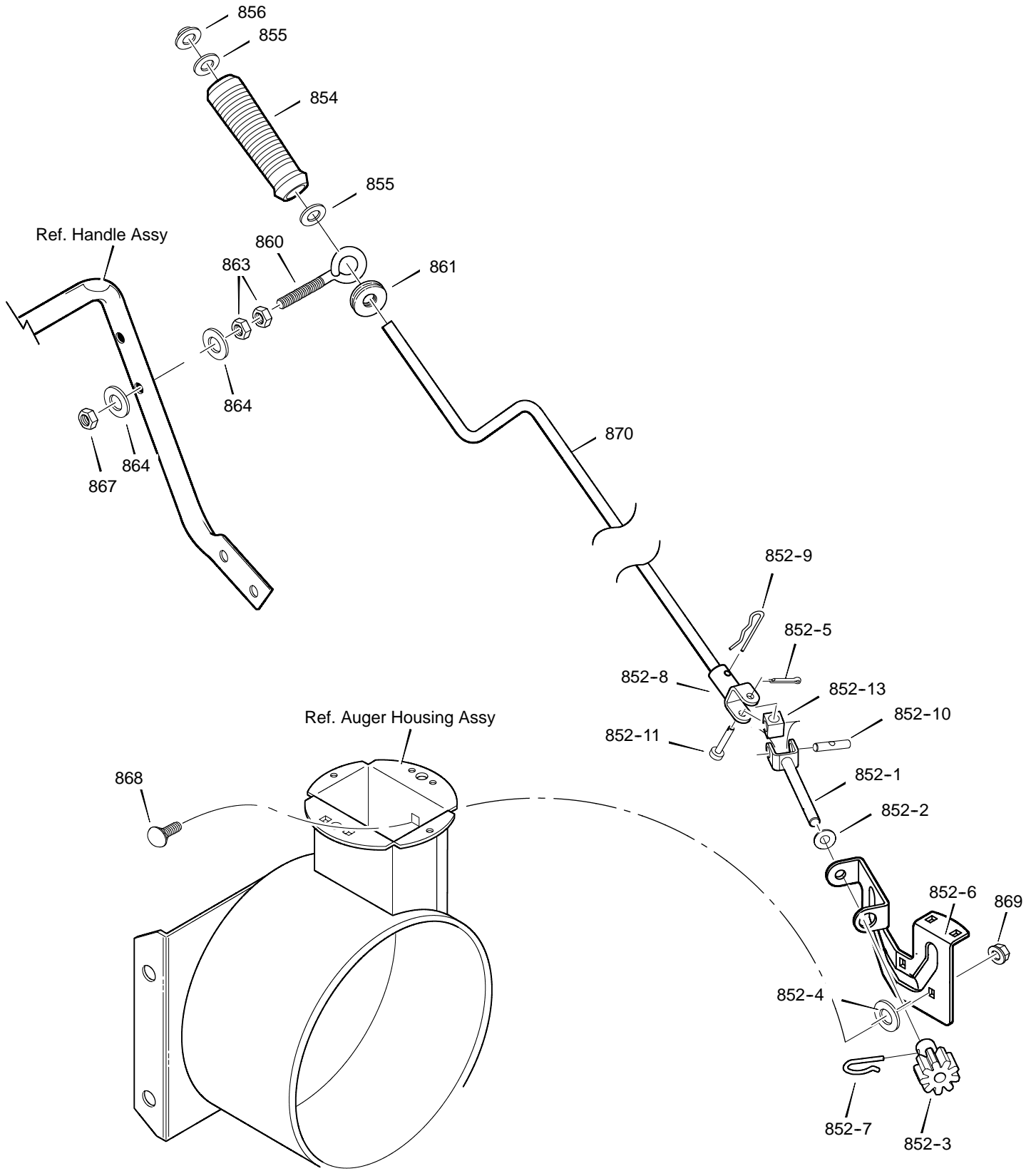
# MODEL 96198001500

# REPAIR PARTS AUGER HOUSING

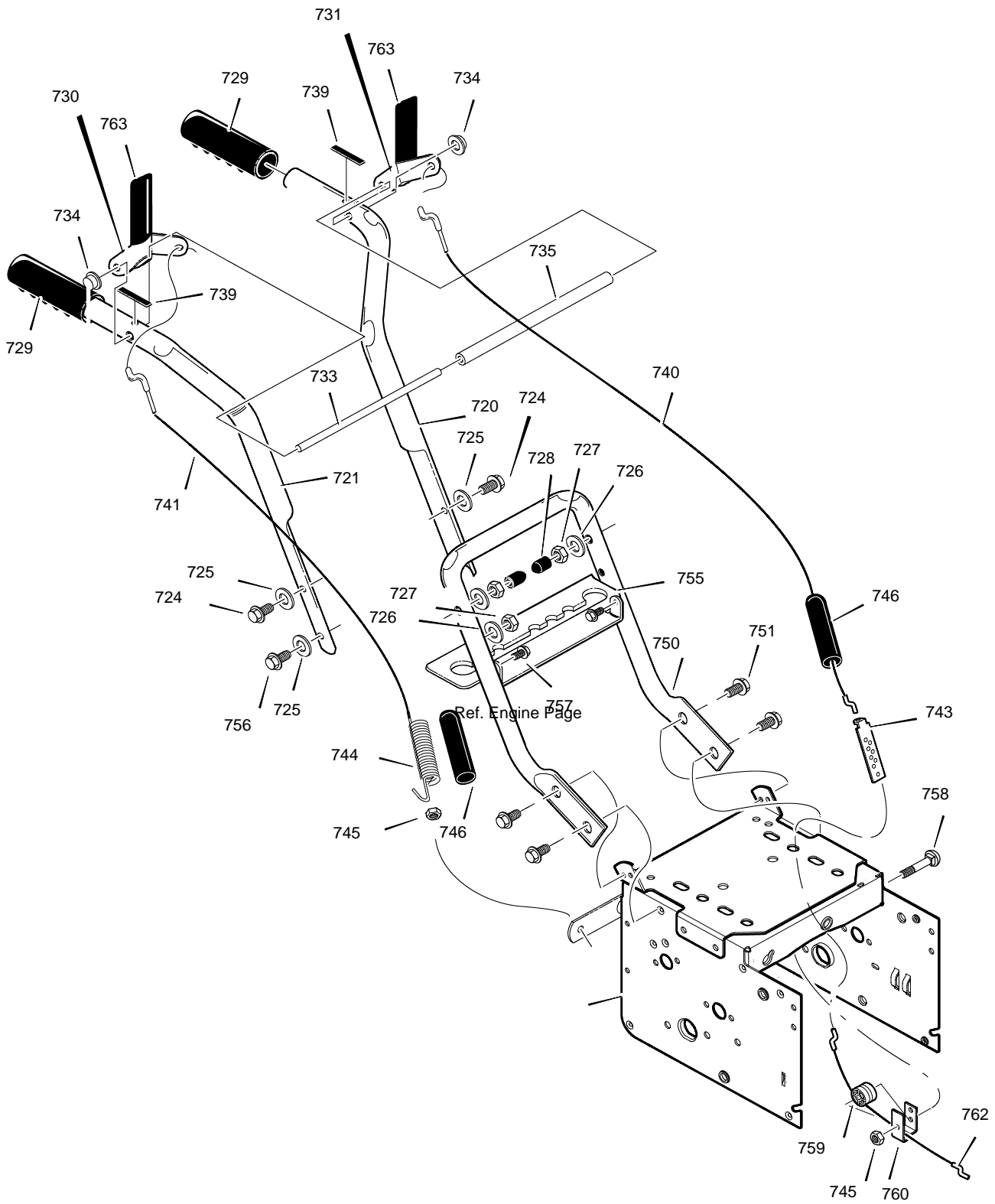
Key No.	Part No.	Description
480	405011	PULLEY, 4L 6.12X .67
481	74950512	SCREW, 5/16-18X.63
482	78060	WASHER, SPLIT
484	19111507	WASHER, FLAT
491	188909	BEARING,BALL
493	199879	BOLT, HEX .31-18X .625
499	198541	NUT, 5/16-18 HEXWDFLLK
500	405680X603	HOUSING, ASSY
510	199045X475	BLADE, SCRAPER
511	198634	BOLT, 1/4-20X.75
514	400100	NUT, 1/4-20
520	405646X479	AUGER, ASSY, LH
521	405647X479	AUGER, ASSY, RH
522	198636	SCREW, 1/4-20X1.75
523	198638	SPACER, SLEEVE
524	73800400	NUT, 1/4-20
525	405535	BEARING,FLANGE
527	179582	SCREW, 5/16-18X .75
540	400039X479	SKID, HEIGHT ADJUST
541	198648	BOLT, 5/16-18 X .75
544	198541	NUT, 5/16-18
550	192199	BRUSH, CLEANOUT
551	405400	CLIP, RETAINER
552	194189	SCREW, CLEANOUT TOOL CLIP
- -	1501216	KIT, SHEAR BOLT



<b>Key No.</b>	<b>Part No.</b>	<b>Description</b>
582	198648	BOLT, CARRIAGE 5/16-18 X.75
583	401347	WASHER, PLASTIC
584	73800500	NUT, 5/16-18 REGHEX NYLOCK
588	198726	WASHER, PLASTIC
594	198662	WASHER, FLAT
595	10040500	WASHER, SPLIT
596	71071	WASHER, FLAT
597	198851	KNOB, T 3.00
599	198539	BOLT, 5/16-18X1.50
600	401339X479	CHUTE ASSEMBLY
601	198661	BOLT, 5/16-18 X1.00
602	198662	WASHER, FLAT
603	73800500	NUT, 5/16-18 HEXNYL
604	401340	FLAP, CHUTE
606	198659	CHUTE COLLAR
607	405024	SCREW, 1/4-20 X 0.75
609	1738004700	NUT, 1/4-20 HEX NYLOCK
610	337227	RETAINER RING INNER
611	1501282	RETAINER RING OUTER



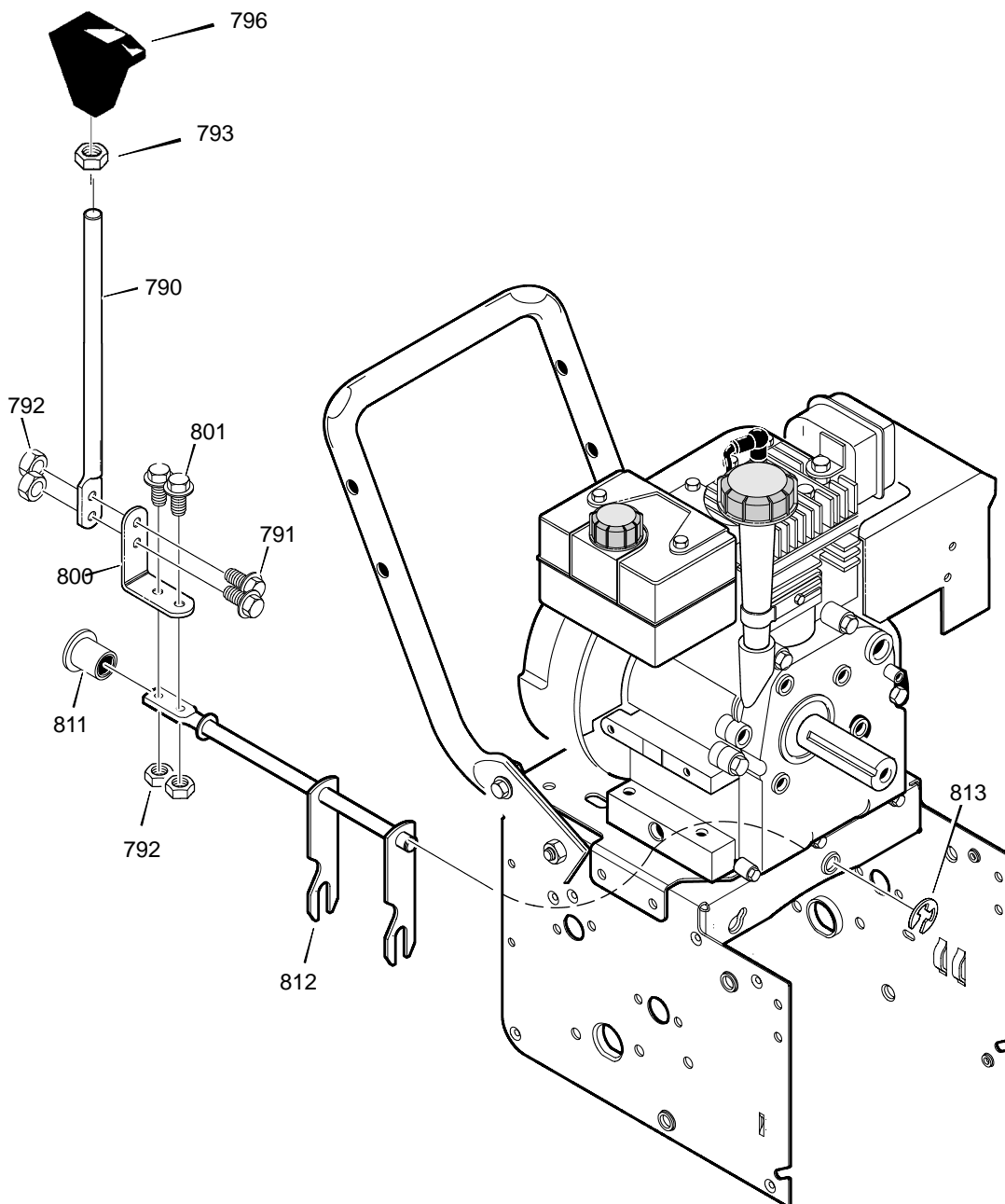
<b>Key No.</b>	<b>Part No.</b>	<b>Description</b>
852-1	198853	ASSEMBLY, YOKE & ROD
852-2	198861	WASHER, CURVED SPRING
852-3	198862	GEAR, CHUTE ROTATION 9T
852-4	400026	WASHER
852-5	400192	PIN, COTTER
852-6	4053397	BRACKET, CHUTE GEAR
852-7	198863	PIN, HAIR
852-8	198789	ASSEMBLY, YOKE ADAPTER YZ
852-9	198576	PIN, HAIR
852-10	198878	PIN, UNIVERSAL JOINT
852-11	198860	PIN, CLEVIS
852-13	198570	HOUSING, UNIVERSAL
854	198836X428	KNOB, SLEEVE
855	198837	FLATWASHER
856	198839	NUT, PUSH ON 3/8"
860	198869	EYE BOLT 3/8-16X6.00
861	198841	GROMMET, EYE BOLT
863	198845	NUT, 3/8-16 HEXJAM
864	198733	FLATWASHER .406X.81X.066
867	73800600	NUT, 3/8-16 HEXNYL
868	198729	BOLT, CARRIAGE 1/4-20 X 1.00
869	73800400	NUT, 1/4-20
870	198848	CRANK, ASSY CHUTE



# MODEL 96198001500

# REPAIR PARTS HANDLE

Key No.	Part No.	Description
720	198700X479	HANDLE, UPPER LH
721	198701X479	HANDLE, UPPER RH
724	198711	SCREW, 5/16-18X2.75
725	198662	WASHER, FLAT
726	10040500	WASHER, SPTLK .31X.58X.08
727	198683	NUT, 5/16-18 REGHEX YZ
728	198709	STOP, RED PLASTIC
729	198708	GRIP-HANDLE FINGER
730	198697X479	LEVER, ASSY CLUTCH DRIVE RH
731	198698X479	LEVER, ASSY CLUTCH DRIVE LH
733	198710	ROD, PIVOT CLUTCH
734	198713	NUT, PUSH ON CAP
735	198712	SPACER-HANDLE
739	198702	BUMPER, RECTANGLE
740	406165	CABLE, CLUTCH
741	406178	CABLE, AUGER CLUTCH
743	198692	BRACKET, CABLE ADJUSTER
744	198690	SPRING, AUGER CLUTCH
745	73800400	NUT, 1/4-20 NYLOCK YZ
746	198670	BOOT, CABLE SPRING
750	400151X479	HANDLE, LOWER
751	150078	SCREW, TAP 5/16-18 X .75
755	198699X479	BRKT, GEAR SELECTOR
756	198685	SCREW, 5/16-18X2.00
757	198574	SCREW
758	198673	BOLT, HEX 1/4-20 X 1.50
759	198678	SPOOL-CABLE, AUGRT CLUTCH
760	198677X004	BRACKET, CABLE SPOOL YZ
762	406164	CABLE, LOWER DRIVE 12"
763	198706	GRIP, CLUTCH HANDLE

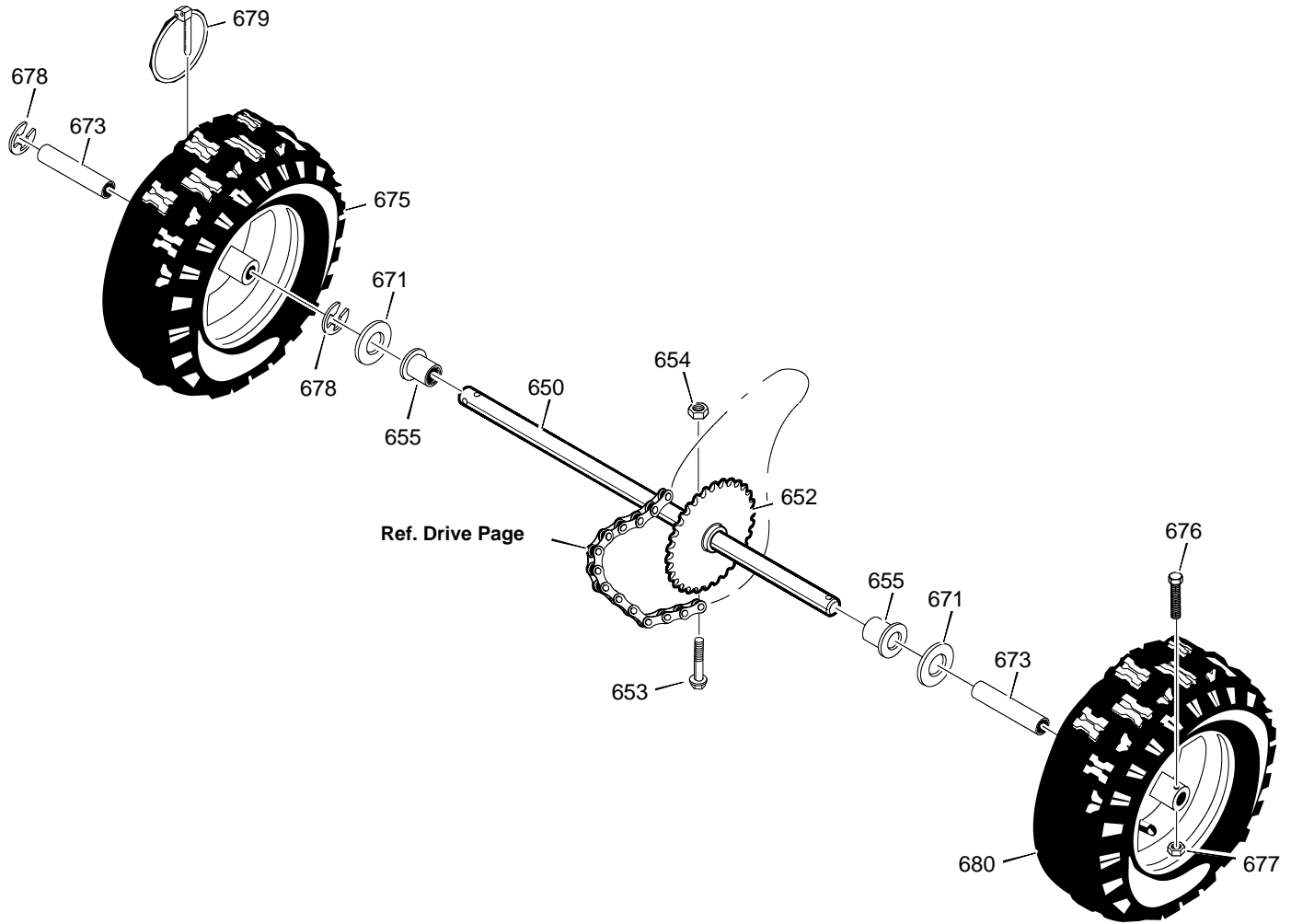


Key No.	Part No.	Description
790	198725X479	ROD, SHIFT
791	198727	SCREW, 1/4-20X.75
792	73800400	NUT, 1/4-20
793	318486	NUT, JAM
796	198736	KNOB
800	198737	LEVER, SPRING
801	302628	SCREW, 1/4-20X.75
811	198731	BEARING, FLANGED
812	198732X008	ROD ASSY., SPEED SELECT
813	1198945	RETAINER, RING

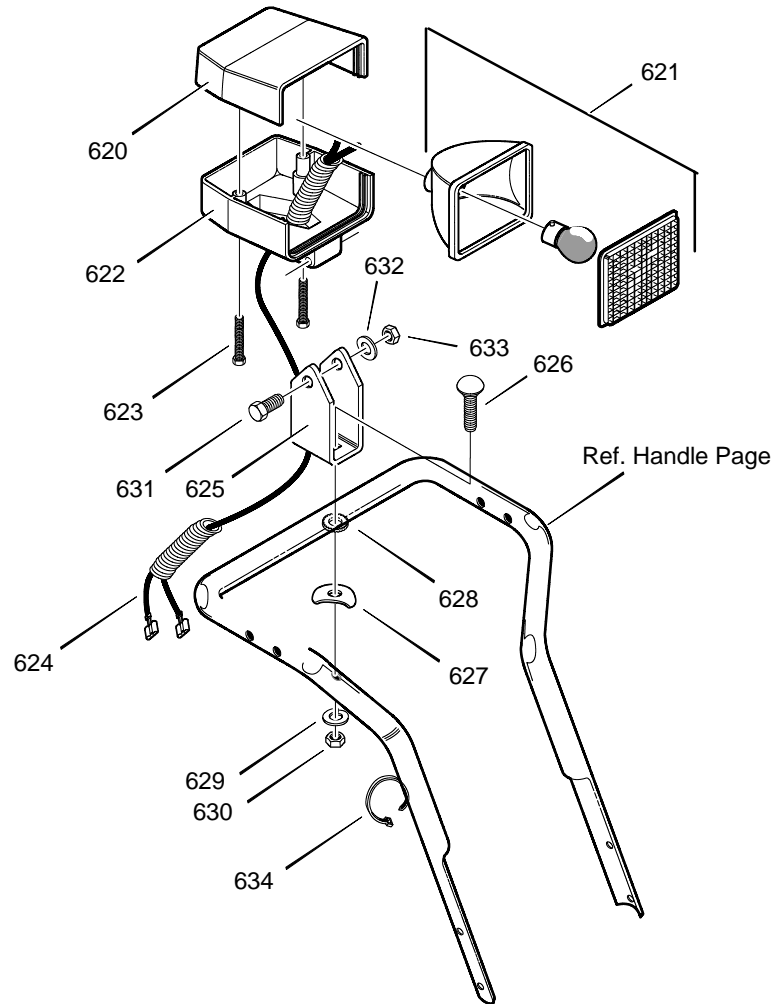


# MODEL 96198001500

# REPAIR PARTS WHEELS

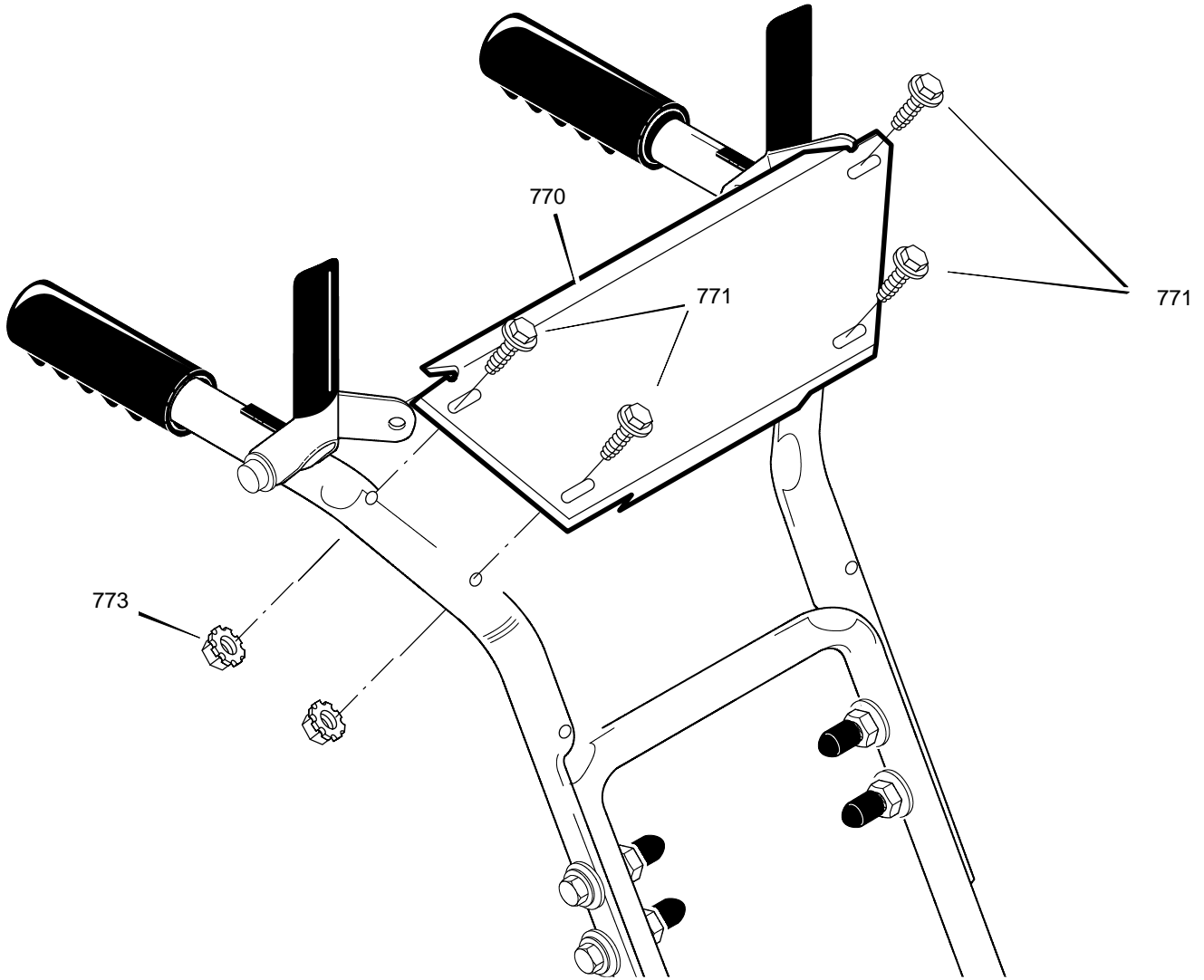


Key No.	Part No.	Description
650	199039	SHAFT, AXLE
652	198679	SPRKT & HUB
653	198667	SCREW, 1/4-20 x 1.75
654	73800400	NUT, 1/4-20 HEX NYLOCK
655	198680	BEARING, AXLE
671	400025	FLATWASHER
673	1199040	BUSHING, WHEEL
675	405067X418	TIRE & RIM, RIGHT
676	198674	SCREW, 1/4-20X1.75 HH
677	73800400	NUT, 1/4-20 HEX NYLOCK
678	198675	RING, RET
679	155443	PIN, KLIK .25 X 1.38 DIA
680	405066X418	TIRE & RIM, LEFT



Key No. N° sur le schéma	Part No. N° de pièce	Description	Description
620	406467	HOUSING, HEADLIGHT UPPER	BOÎTER SUPÉRIEUR DU PHARE
621	406471	HEADLIGHT, ASSY *	MONTAGE DU PHARE *
622	406465	HOUSING, HEADLIGHT LOWER	BOÎTER INFÉRIEUR DU PHARE
623	406472	SCREW, #8X1.75	VIS, #8 X 1,75 PO.
624	406470	WIRING HARNESS, HALOGEN	FILS ÉLECTRIQUES DU PHARE, HALOGÈNE
625	406473X008	BRACKET, HEADLIGHT	SUPPORT MONTAGE DU PHARE
626	402420	BOLT, CARRIAGE - 5/16-18X2.00	BOULON MÉCANIQUE 5/16-18X2,00 PO.
627	401354	WASHER, SADDLE	RONDELLE CINTRÉE
628	11050500	WASHER, EXLK .32X.60X.040	RONDELLE ,32X,60X,040
629	10040500	WASHER, SPTLK .31X.58X.08	RONDELLE FENDUE ,31X,58X,08
630	198683	NUT, 5/16-18 REGHEX	ÉCROU, 5/16-18
631	198685	SCREW, 5/16-18X2.00	VIS, 5/16-18X2,00 PO.
632	10040500	WASHER, SPTLK	RONDELLE FENDUE
633	198683	NUT, 5/16-18 REGHEX	ÉCROU, 5/16-18
634	032618	TIE, CABLE	CABLE DE BRIDE

\* For replacement bulb, use Standard GE or Phillips #894. \* Pour l'ampoule de rechange, employez la GE standard ou #894 Phillips.



Key No.	Part No.	Description
770	406461X603	PANEL
771	198720	BOLT,CARRIAGE
773	198730	NUT,1/4-20 NYLOCK YZ