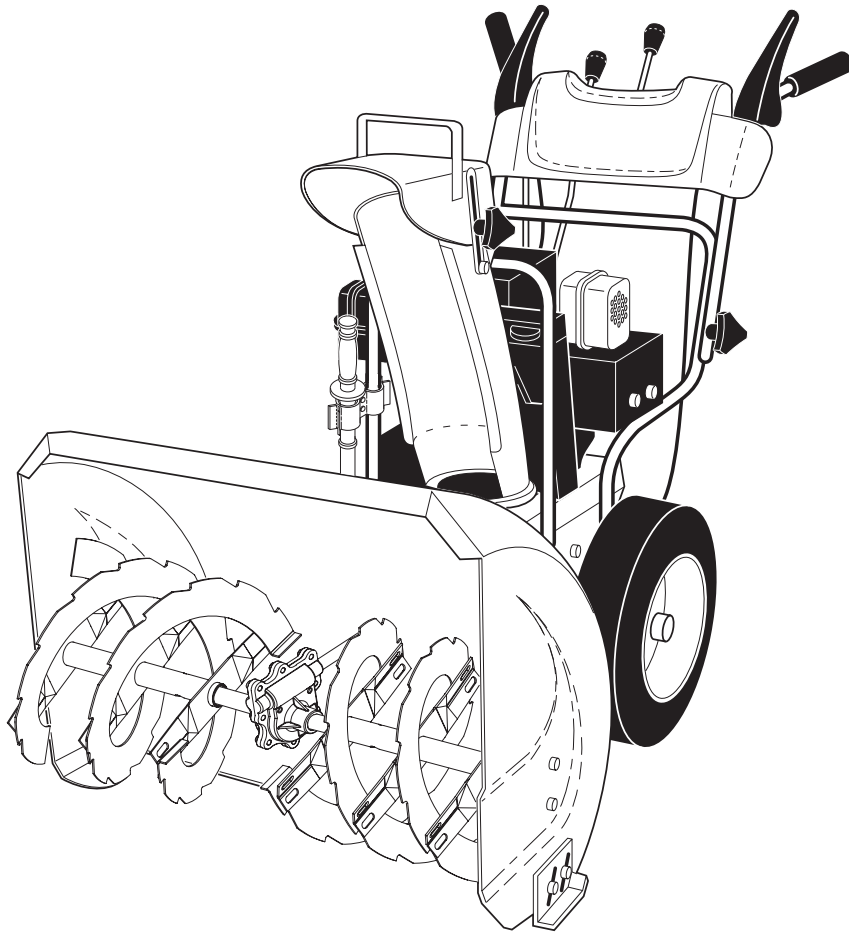


Poulan PRO



OWNER'S MANUAL

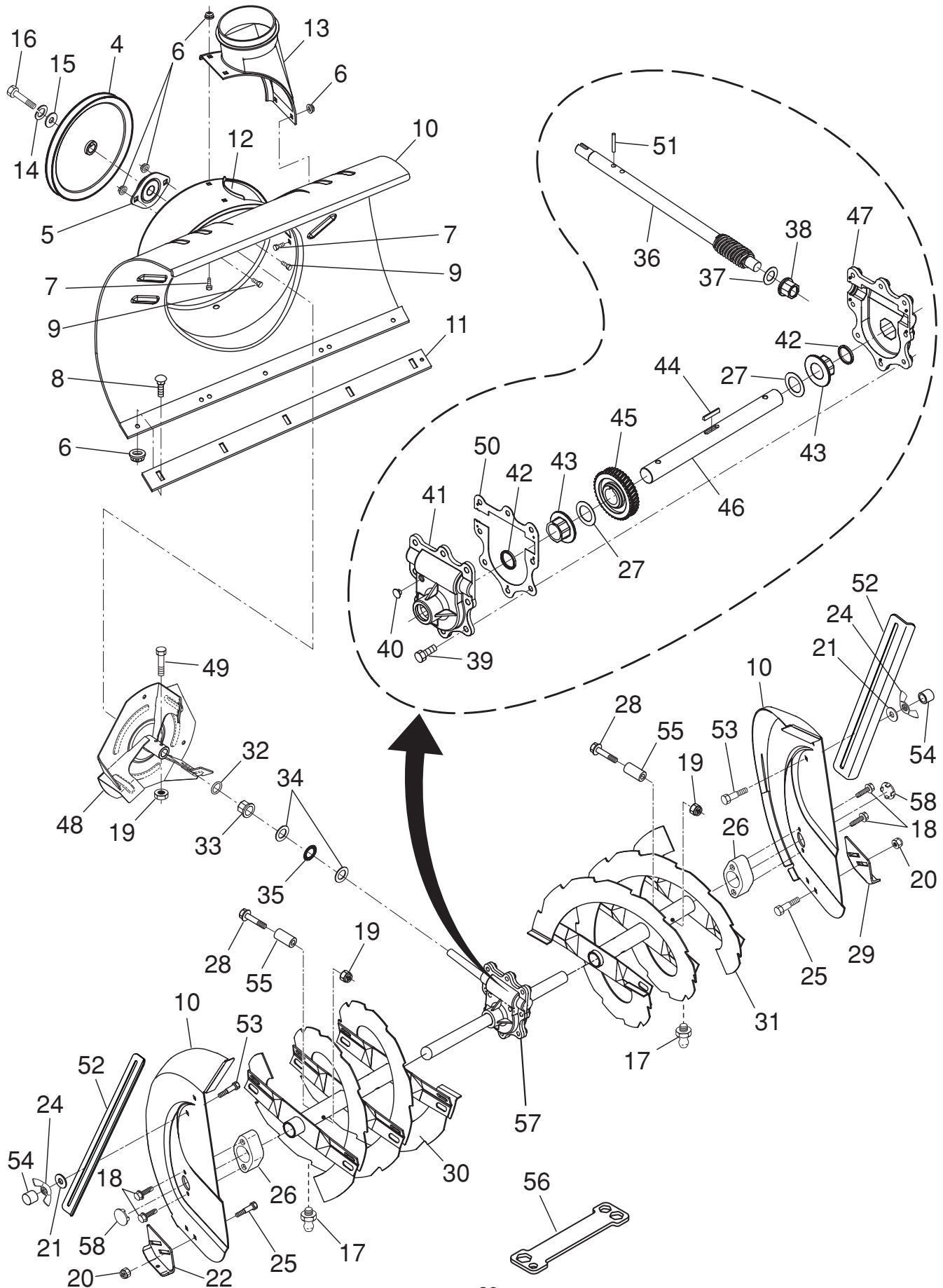
**MODEL NUMBER:
961980020
SNOW THROWER**

⚠ WARNING:
Read the Owner's Manual and follow all Warnings and Safety Instructions. Failure to do so can result in serious injury.

Always Wear Eye Protection During Operation

415308 Rev 1 09.19.07 TH
Printed in the U.S.A.

REPAIR PARTS SNOW THROWER - MODEL 961980020 (96198002000)
AUGER HOUSING / IMPELLER ASSEMBLY



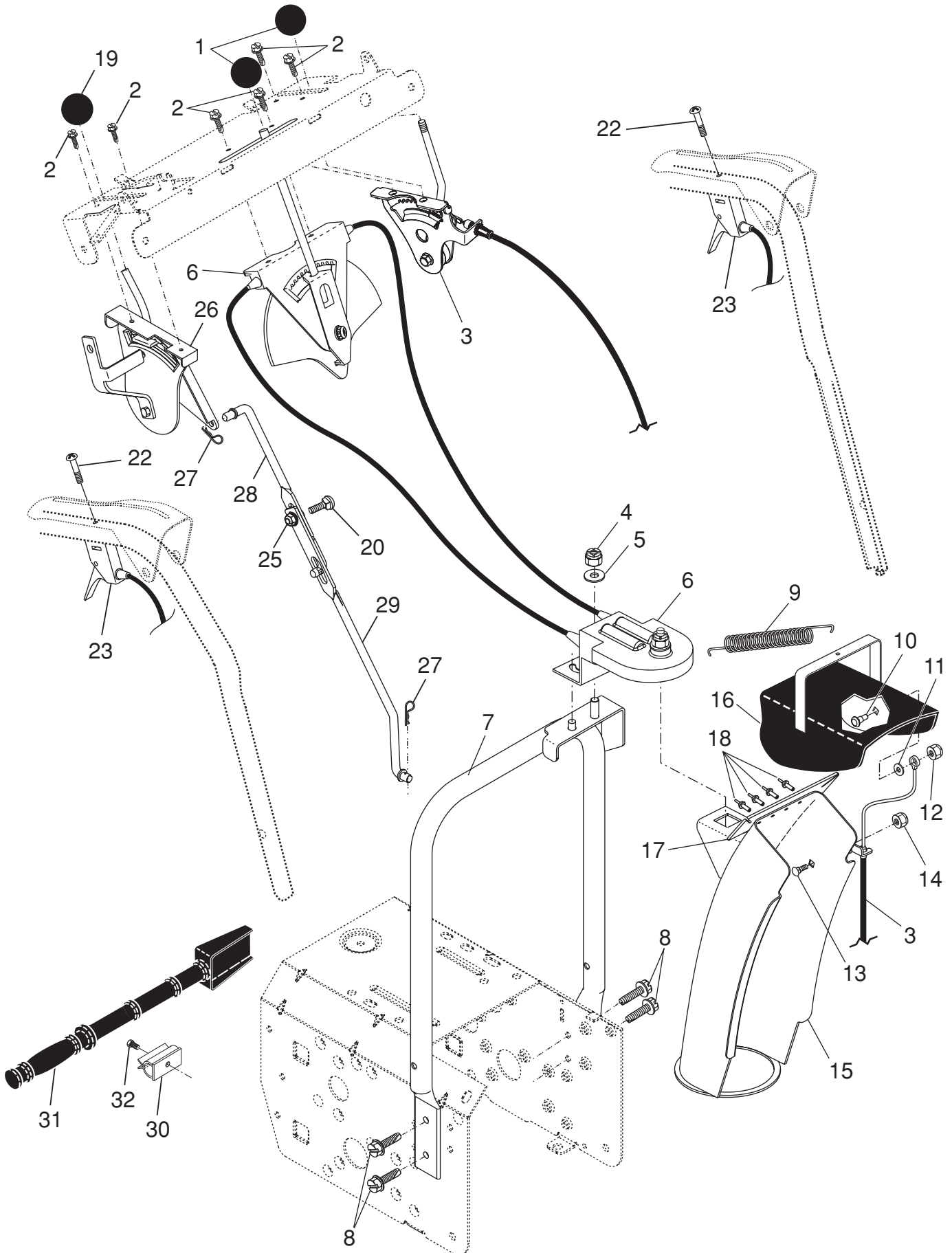
REPAIR PARTS SNOW THROWER - MODEL 961980020 (96198002000)

AUGER HOUSING / IMPELLER ASSEMBLY

| KEY NO. | PART NO. | DESCRIPTION | KEY NO. | PART NO. | DESCRIPTION |
|---------|-------------------|---|---------|-------------------|--------------------------------|
| 4 | 191079 | Pulley, Impeller | 31 | 405972X479 | Auger Assembly, LH |
| 5 | 188909 | Bearing Assembly, Flange | 32 | 407768 | O-Ring |
| 6 | 155377 | Nut, Hex Flange 5/16-18 | 33 | 407769 | Bushing, Flange 3/4 |
| 7 | 180355 | Bolt, Flat Head, Carriage 5/16-18 x 5/8 | 34 | 174681 | Washer, Thrust 3/4 |
| 8 | 72270505 | Bolt, Carriage 5/16-18 | 35 | 174684 | Bearing, Thrust 3/4 |
| 9 | 163183 | Bolt, Hex Head | 36 | 407757 | Shaft, Impeller |
| 10 | 404930X428 | Housing, Auger | 37 | 174683 | Washer, Thrust 5/8 |
| 11 | 404933X479 | Bar, Scraper | 38 | 407758 | Bushing, Flange 5/8 |
| 12 | 178675X008 | Bracket, Corner Discharge | 39 | 407767 | Screw, Hex Head 5/16-18 x 3/4 |
| 13 | 175322 | Base, Discharge Chute | 40 | 407760 | Plug, Case |
| 14 | 10040500 | Washer, Lock 5/16 | 41 | 407761 | Housing, Gearbox, RH |
| 15 | 19111507 | Washer, Flat | 42 | 407770 | Seal, Oil |
| 16 | 74940516 | Screw, Hex Head 5/16-18 x 3/4 | 43 | 407762 | Bushing, Flange, 1" |
| 17 | 405637 | Grease Fitting | 44 | 189282 | Key, Square 1/4 x 1/4 x 7/8 |
| 18 | 179582 | Screw, Hex Head 5/16 x 1 | 45 | 407763 | Gear, Worm |
| 19 | 73800400 | Nut, Hex Lock 1/4-20 | 46 | 407764 | Shaft, Auger |
| 20 | 155377 | Nut, Hex Lock 5/16-18 | 47 | 407765 | Housing, Gearbox, LH |
| 21 | 401347 | Washer | 48 | 175321X479 | Impeller Assembly |
| 22 | 178777X479 | Skid Plate, RH | 49 | 74780426 | Screw, Hex Head 1/4-20 x 1-5/8 |
| 24 | 128638 | Nut Wing 5/16-18 | 50 | 407766 | Gasket, Gearbox |
| 25 | 72270506 | Bolt, Carriage 5/16-18 x 3/4 | 51 | 7836M | Pin, Roll 3/16 x 1-1/8 |
| 26 | 174658 | Bearing, Auger | 52 | 181160X479 | Bar, Drift, Cutter |
| 27 | 174697 | Washer, Thrust, 1" | 53 | 72270506 | Bolt 5/16-18 x .75 |
| 28 | 198636 | Bolt, Shear | 54 | 198709 | Stop, Plastic |
| 29 | 174762X479 | Skid Plate, LH | 55 | 198638 | Spacer |
| 30 | 405973X479 | Auger Assembly, RH | 56 | 180684 | Multi-Wrench |
| | | | 57 | 196710 | Gearbox Assembly |
| | | | 58 | 411939 | Plug, Bearing, Hole, HSG |

NOTE: All component dimensions given in U.S. inches. 1 inch = 25.4 mm
IMPORTANT: Use only Original Equipment Manufacturer (O.E.M.) replacement parts.
 Failure to do so could be hazardous, damage your snow thrower and void your warranty.

REPAIR PARTS SNOW THROWER - MODEL 961980020 (96198002000)
CONTROL PANEL / DISCHARGE CHUTE



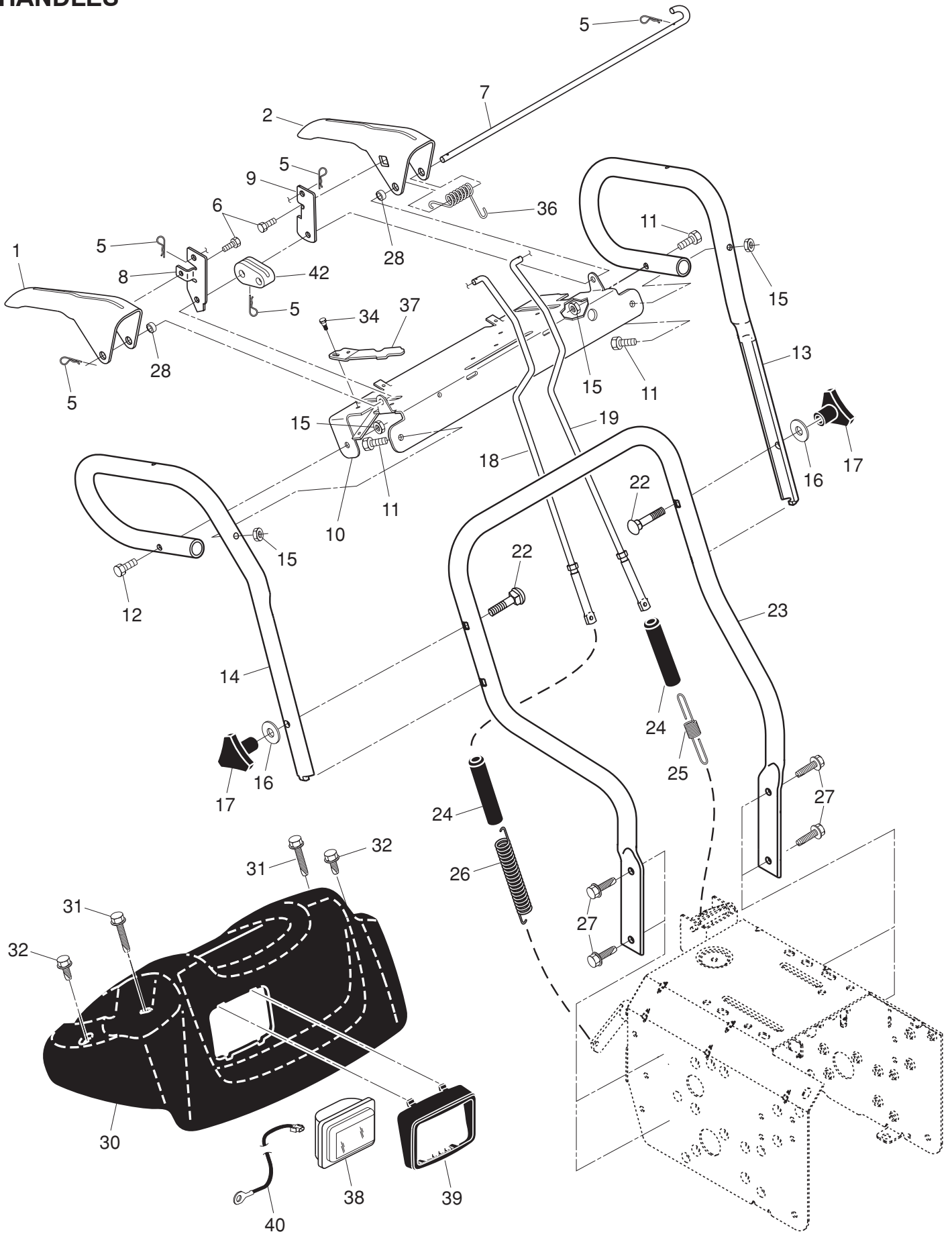
REPAIR PARTS SNOW THROWER - MODEL 961980020 (96198002000)
CONTROL PANEL / DISCHARGE CHUTE

| KEY NO. | PART NO. | DESCRIPTION |
|---------|------------|----------------------------------|
| 1 | 414280 | Knob, Lever |
| 2 | 17501010 | Screw #10-24 x 5/8 |
| 3 | 198475 | Control Assembly, Deflector |
| 4 | 73800600 | Nut, Lock 3/8-16 |
| 5 | 19131316 | Washer, Flat 3/8 |
| 6 | 404974 | Control Assembly, Chute Rotater |
| 7 | 405784X479 | Support, Pivot |
| 8 | 150078 | Screw, Hex Head 5/16-18 x 3/4 |
| 9 | 184505 | Spring, Deflector |
| 10 | 179829 | Bolt, Shoulder |
| 11 | 179246 | Washer, Friction, Nylon |
| 12 | 191730 | Nut, Lock 1/4-20 |
| 13 | 72250505 | Bolt, Carriage 5/16-18 |
| 14 | 751153 | Nut, Lock 5/16-18 |
| 15 | 404770X428 | Chute Assembly |
| 16 | 178633X428 | Deflector Assembly |
| 17 | 179145 | Seal, Deflector |
| 18 | 128415 | Rivet, Blind |
| 19 | 414281 | Knob, Speed Control Lever |
| 20 | 72270506 | Bolt, Carriage 5/16-18 x 3/4 |
| 22 | 74041024 | Screw #10-24 x 1-1/2 |
| 23 | 188303 | Control Assembly, Power Steering |
| 25 | 155377 | Nut, Lock 5/16-18 |
| 26 | 198474 | Lever Assembly, Speed Control |
| 27 | 169675 | Retainer, Hairpin |
| 28 | 180445 | Rod, Upper, Speed Control |
| 29 | 187716 | Rod, Lower, Speed Control |
| 30 | 405400 | Clamp, Clean-Out Tool |
| 31 | 192199 | Tool, Clean-Out |
| 32 | 194189 | Screw Hi-Lo 13-16 x 5/8 |

NOTE: All component dimensions given in U.S. inches. 1 inch = 25.4 mm
IMPORTANT: Use only Original Equipment Manufacturer (O.E.M.) replacement parts.
 Failure to do so could be hazardous, damage your snow thrower and void your warranty.

**REPAIR PARTS
HANDLES**

SNOW THROWER - MODEL 961980020 (96198002000)



REPAIR PARTS HANDLES

SNOW THROWER - MODEL 961980020 (96198002000)

| KEY NO. | PART NO. | DESCRIPTION |
|---------|---------------|---|
| 1 | 412682X479 | Lever, Auger Control, RH |
| 2 | 412681X479 | Lever, Traction Drive Control |
| 5 | 169675 | Retainer, Hairpin |
| 6 | 17060408 | Screw, Hex Head 1/4-20 x 3/4 |
| 7 | 412677 | Rod, Interlock |
| 8 | 196333X008 | Arm, Impeller Rod |
| 9 | 412679X008 | Arm, Traction Rod |
| 10 | 412683X479 | Panel, Control |
| 11 | 74780524 | Screw, Hex Head 5/16-18 x 1-1/2 |
| 12 | 74780528 | Screw, Hex Head 5/16-18 x 1-3/4 |
| 13 | 414519X479 | Handle Tube, LH |
| 14 | 414518X479 | Handle Tube, RH |
| 15 | 751153 | Nut, Lock 5/16-18 |
| 16 | 19131316 | Washer, Flat 3/8 |
| 17 | 178899 | Knob, Handle |
| 18 | 180480 | Rod, Auger Control |
| 19 | 405740 | Rod, Traction Control |
| 22 | 72120618 | Bolt, Carriage 3/8-16 x 2-1/4 |
| 23 | 401940X479 | Handle Tube, Lower |
| 24 | 180447 | Sleeve, Spring |
| 25 | 180926 | Spring, Traction Drive |
| 26 | 178669 | Spring, Auger Control |
| 27 | 17000616 | Screw, Hex Head 3/8-16 x 1 |
| 28 | 412680 | Bushing, Pivot Lever |
| 30 | 182906 | Console, Panel |
| 31 | 175262 | Screw, Hex Head, Tapping #10-24 x 1-1/4 |
| 32 | 184471 | Screw, Hex Head, Tapping #10-24 x 1/2 |
| 34 | 17060410 | Bolt |
| 36 | 178831 | Spring, Torsion, Lever |
| 37 | 412675X004 | Spring, Interlock |
| 38 | 180927 | Headlight, Flood (Includes Bulb) |
| -- | 183784 | Bulb, Flood |
| 39 | 178668 | Bezel, Headlight |
| 40 | 178770 | Harness, Headlight (Flood) |
| 42 | 414572 | Cam, Interlock |

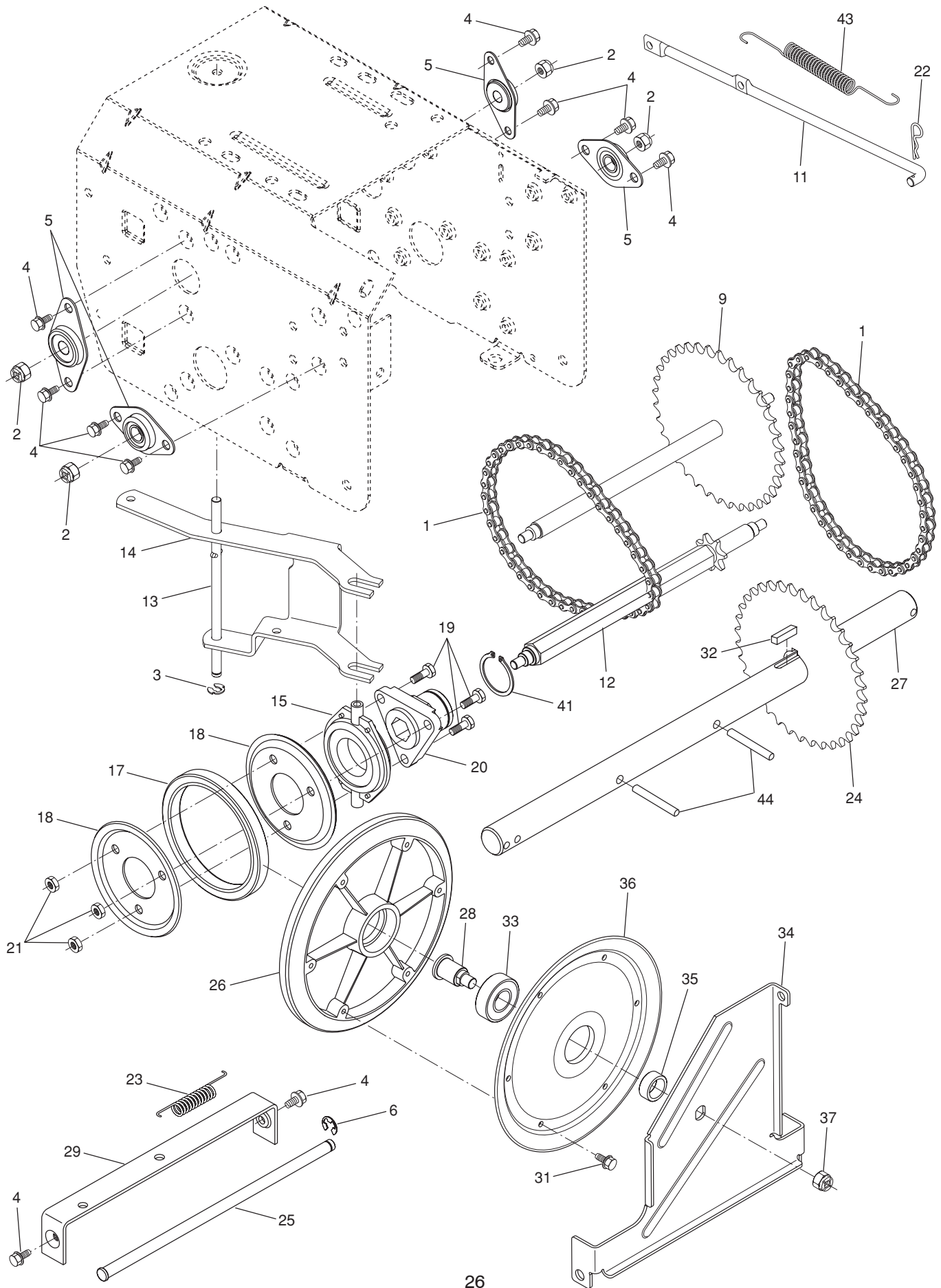
NOTE: All component dimensions given in U.S. inches. 1 inch = 25.4 mm

IMPORTANT: Use only Original Equipment Manufacturer (O.E.M.) replacement parts. Failure to do so could be hazardous, damage your snow thrower and void your warranty.

REPAIR PARTS

SNOW THROWER - MODEL 961980020 (96198002000)

DRIVE



REPAIR PARTS DRIVE

SNOW THROWER - MODEL 961980020 (96198002000)

| KEY NO. | PART NO. | DESCRIPTION |
|---------|------------|-------------------------------|
| 1 | 401619 | Chain, Drive |
| 2 | 751153 | Nut, Lock 5/16-18 |
| 3 | 402882 | Clip, Retainer |
| 4 | 17490508 | Bolt, Hex Head 5/16-18 x 1/2 |
| 5 | 408981 | Bearing, Flange |
| 6 | 12000007 | E-Ring, Retainer |
| 9 | 402855 | Sprocket & Shaft Assembly |
| 11 | 402568 | Rod, Clutch |
| 12 | 402187 | Shaft, Hex |
| 13 | 402310 | Pivot Rod, Shifter |
| 14 | 401732 | Yoke, Shifter |
| 15 | 175344 | Trunnion Bearing Assembly |
| 17 | 178613 | Hub, Rubber Wheel |
| 18 | 198176X479 | Plate, Rubber Wheel |
| 19 | 74760514 | Screw, Hex Head 5/16-18 x 7/8 |
| 20 | 179831 | Ring, Rubber Wheel |
| 21 | 73930500 | Nut, Lock 5/16-18 |
| 22 | 169675 | Retainer, Hairpin |
| 23 | 180135 | Spring, Bias |
| 24 | 402691 | Sprocket, Axle Shaft |
| 25 | 402652 | Pivot Rod, Swing Plate |
| 26 | 401820 | Plate, Drive |
| 27 | 404307 | Axle Shaft |
| 28 | 402504 | Shaft, Friction Pulley |
| 29 | 401984X479 | Bracket, Shifter, Speed |
| 31 | 17541008 | Screw, Cap Head |
| 32 | 189282 | Key, Square |
| 33 | 198791 | Bearing, Ball |
| 34 | 402394 | Plate, Swing |
| 35 | 402511 | Spacer, Bearing |
| 36 | 402393 | Pulley, Friction |
| 37 | 132010 | Nut, Lock 5/16-18 |
| 41 | 12000012 | Ring, Retaining |
| 43 | 402878 | Spring, Return |
| 44 | 9465M | Pin, Roll |

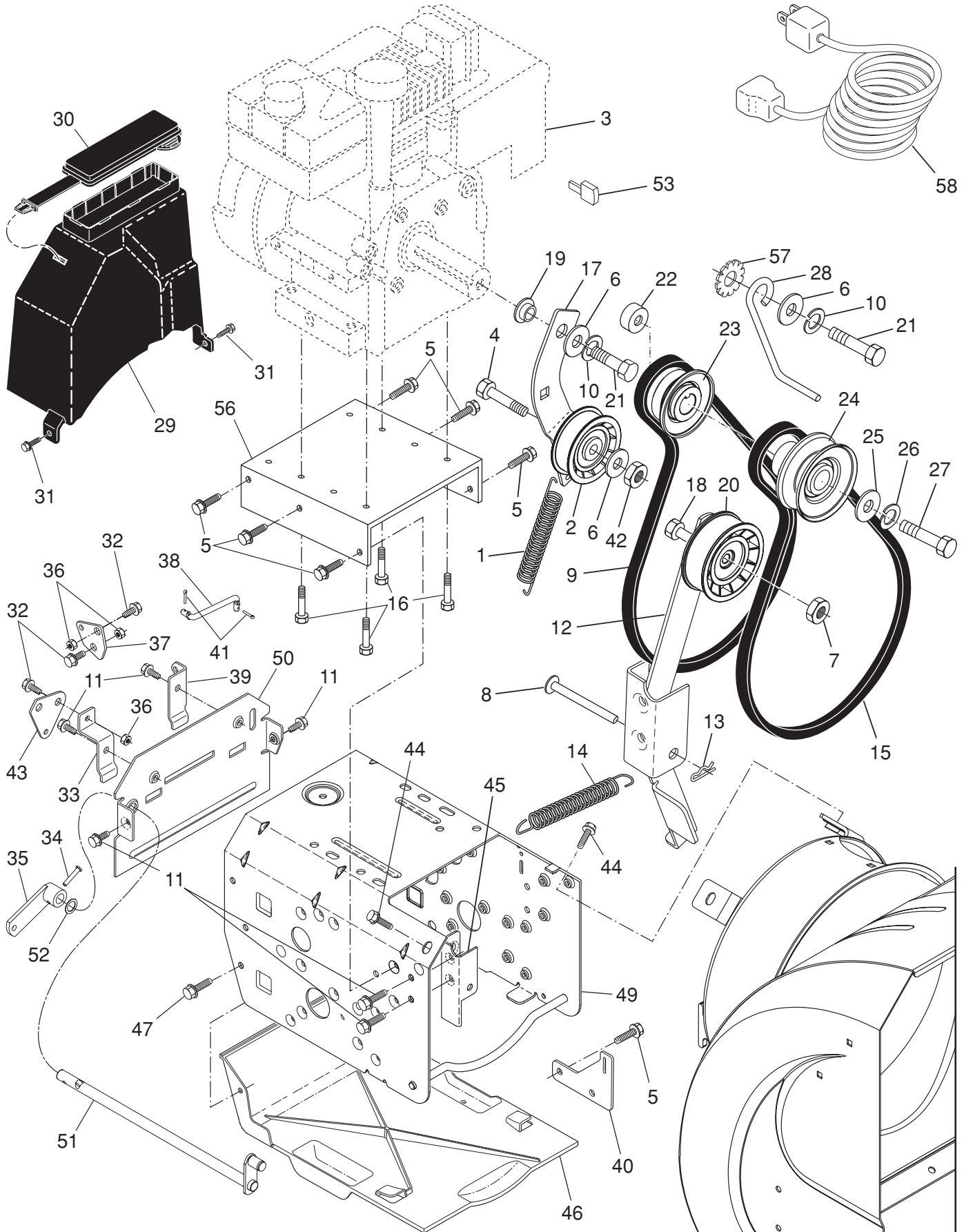
NOTE: All component dimensions given in U.S. inches. 1 inch = 25.4 mm

IMPORTANT: Use only Original Equipment Manufacturer (O.E.M.) replacement parts. Failure to do so could be hazardous, damage your snow thrower and void your warranty.

REPAIR PARTS

SNOW THROWER - MODEL 961980020 (96198002000)

CHASSIS / ENGINE / PULLEYS



REPAIR PARTS SNOW THROWER - MODEL 961980020 (96198002000)

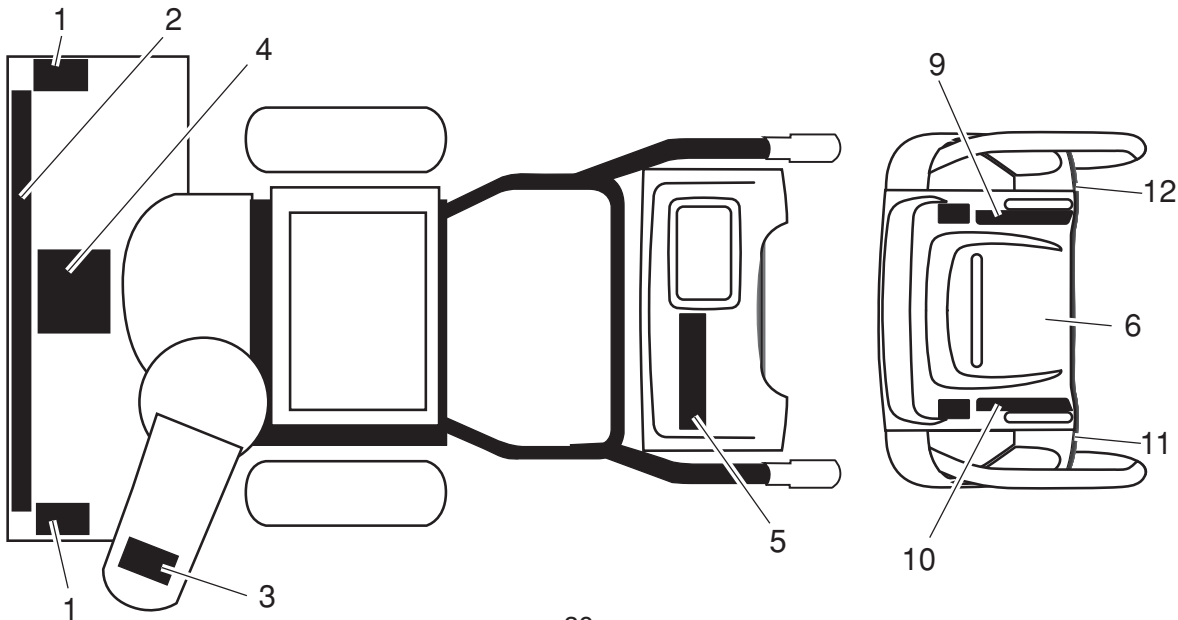
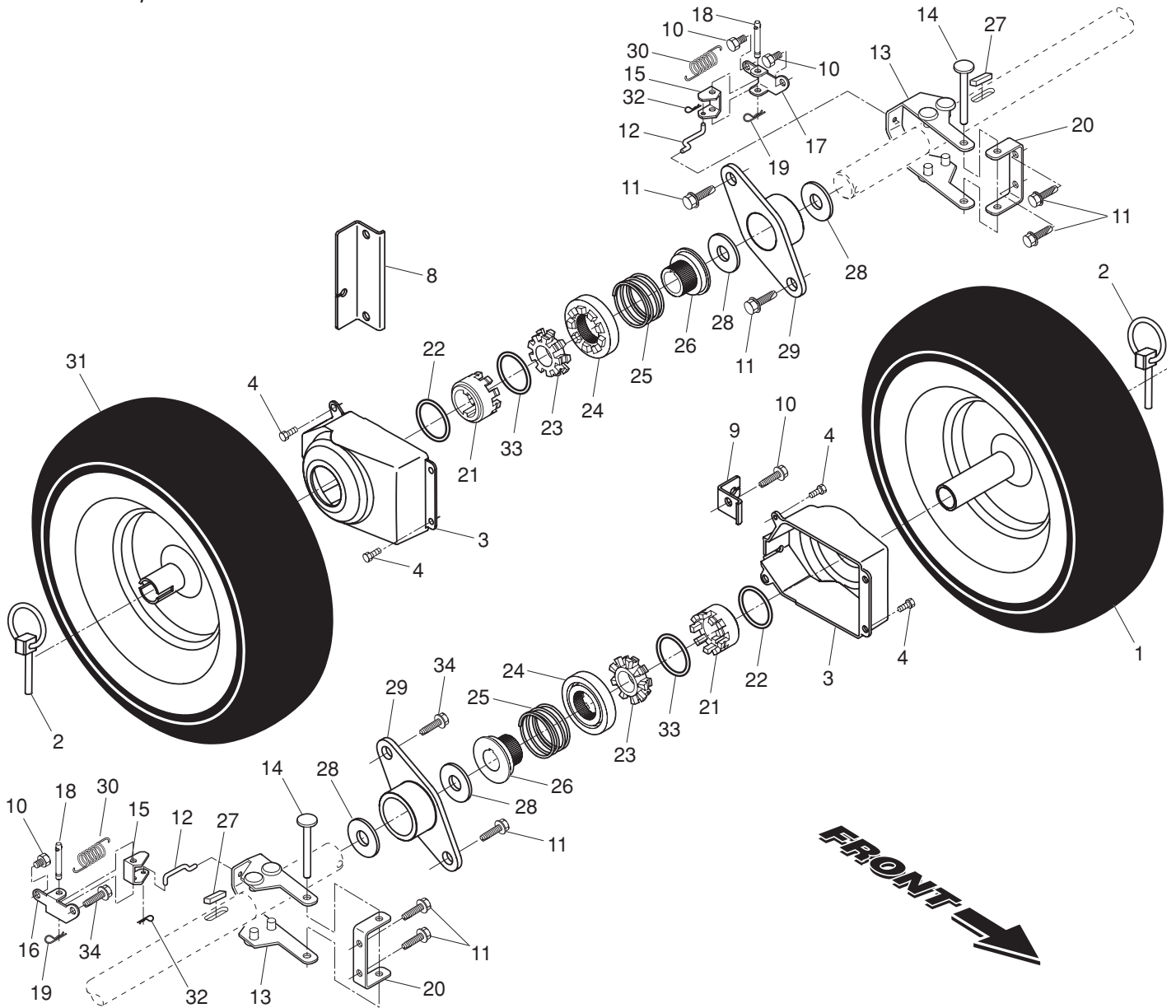
CHASSIS / ENGINE / PULLEYS

| KEY PART NO. | PART NO. | DESCRIPTION | KEY PART NO. | PART NO. | DESCRIPTION |
|--------------|----------|---|--------------|-------------------|--|
| 1 | 414557 | Spring, Traction Idler | 27 | 851084 | Screw, Hex Head 3/8-24 x 1-3/8 |
| 2 | 180522 | Pulley, Idler (2-1/4) | 28 | 155452 | Guide, Belt |
| 3 | --- | Engine, Tecumseh, Model Number OH318SA (For engine service and replacement parts, call Tecumseh Products at 1-800-558-5402) | 29 | 192213 | Belt Cover Assembly (Includes Toolbox Cover) |
| 4 | 74780520 | Screw, Hex Head 5/16-18 x 1-1/4 | 30 | 178830 | Cover, Toolbox |
| 5 | 150078 | Screw | 31 | 17490408 | Screw, Hex Head 1/4-20 x 1/2 |
| 6 | 59289 | Washer, Flat | 32 | 402881 | Bolt, Shoulder 5/16-18 |
| 7 | 166785 | Nut, Jam, Lock 5/16-18 | 33 | 403096X004 | Bellcrank Shifter |
| 8 | 175330 | Pin, Idler Pivot | 34 | 198580 | Clevis Pin |
| 9 | 416954 | V-Belt, Traction Drive | 35 | 405485 | Arm, Auger Control |
| 10 | 10040500 | Washer, Lock 5/16 | 36 | 191730 | Locknut, Hex |
| 11 | 17490508 | Screw, Hex Washer Head 5/16-18 x 1/2 | 37 | 402856X004 | Plate, Clutch |
| 12 | 410420 | Impeller Arm Assembly | 38 | 187101 | Link, Speed Control |
| 13 | 85179 | Retainer, Hairpin | 39 | 416717X004 | Bracket, Clutch |
| 14 | 178828 | Spring, Brake | 40 | 413429X479 | Bracket, Traction |
| 15 | 408007 | V-Belt, Impeller Drive | 41 | 700279 | Hairpin, Cotter 3/32 x 1/2 |
| 16 | 150406 | Screw, Hex Head 3/8-16 x 1-1/4 | 42 | 73930500 | Locknut, Hex |
| 17 | 187786 | Arm, Idler | 43 | 403097X004 | Plate, Shifter |
| 18 | 74780524 | Screw, Hex Head 5/16-18 x 1-1/2 | 44 | 17000616 | Screw, Hex Head |
| 19 | 175331 | Bushing, Idler Pivot | 45 | 175324X479 | Pivot Bracket, Impeller Idler Arm |
| 20 | 180523 | Pulley, Idler (2-3/4) | 46 | 410877 | Pan, Frame Bottom |
| 21 | 74610516 | Screw, Hex Head 5/16-24 x 1 | 47 | 184471 | Screw |
| 22 | 409475 | Spacer, Engine Pulley | 49 | 409346X428 | Frame Assembly |
| 23 | 180478 | Pulley, Engine, Traction Drive | 50 | 402685X428 | Plate, Frame End |
| 24 | 179157 | Pulley, Engine, Impeller Drive | 51 | 406109 | Shaft, Auger Control |
| 25 | 400026 | Washer, Flat 3/8 | 52 | 57079 | Washer, Hardened |
| 26 | 850263 | Washer, Lock 3/8 | 53 | 35062 | Key, Safety |
| | | | 56 | 417014X428 | Plate, Engine |
| | | | 57 | 11050500 | Washer, Lock, External Tooth |
| | | | 58 | 198563 | Power Cord |

NOTE: All component dimensions given in U.S. inches. 1 inch = 25.4 mm
IMPORTANT: Use only Original Equipment Manufacturer (O.E.M.) replacement parts. Failure to do so could be hazardous, damage your snow thrower and void your warranty.

REPAIR PARTS
WHEELS / DECALS

SNOW THROWER - MODEL 961980020 (96198002000)



REPAIR PARTS
WHEELS / DECALS

SNOW THROWER - MODEL 961980020 (96198002000)

| KEY NO. | PART NO. | DESCRIPTION |
|---------|------------|---|
| 1 | 192092X421 | Wheel Assembly, 16", Power Steering, LH |
| 2 | 155443 | Pin, Klik 1/4 |
| 3 | 405161 | Cover, Power Steering |
| 4 | 184471 | Screw, Hex Head #10-24 x 1/2 |
| 7 | 17060410 | Capscrew, Hex Head, Flanged 3/8-16 x 1 |
| 8 | 410294 | Bracket, Steering Cable, RH |
| 9 | 410293 | Bracket, Steering Cable, LH |
| 10 | 17600406 | Screw, Hex Head 1/4-20 x 3/8 |
| 11 | 17490508 | Screw, Hex Head 5/16-18 x 1/2 |
| 12 | 405077 | Link, Steering Lever |
| 13 | 193506X479 | Yoke, Steering |
| 14 | 182015 | Pin, Steering Lever |
| 15 | 194944X008 | Bellcrank |
| 16 | 194939X008 | Bracket, LH Steering |
| 17 | 194943X008 | Bracket, RH Steering |
| 18 | 181847 | Pin, Steering Bellcrank |
| 19 | 85179 | Retainer, Hairpin |
| 20 | 179148X479 | Bracket, Steering |
| 21 | 192126 | Driver, Wheel |
| 22 | 182466 | Ring, Wire Retainer |
| 23 | 187622 | Lobe, Wheel |
| 24 | 194941 | Slide, Clutch |
| 25 | 179139 | Spring, Clutch Slide |
| 26 | 194940 | Lobe, Axle |
| 27 | 189282 | Key, Square 1/4 x .875 |
| 28 | 174697 | Washer, Thrust (1") |
| 29 | 179830 | Bearing, Axle |
| 30 | 193885 | Spring, Return, Steering Latch |
| 31 | 192093X421 | Wheel Assembly, 16", Power Steering, RH |
| 32 | 700279 | Clip, Retainer |
| 33 | 12000045 | Ring, Retaining |
| 34 | 146315 | Screw, Hex Head, Tapping 5/16-18 x 5/8 |

| KEY NO. | PART NO. | DESCRIPTION |
|---------|----------|---------------------------------|
| 1 | 181037 | Decal, Danger |
| 2 | 199315 | Decal, Poulan, HP / CM |
| 3 | 181035 | Decal, Danger, Deflector |
| 4 | 181042 | Decal, Danger |
| 5 | 199316 | Decal, Poulan |
| 6 | 181033 | Decal, Instruction |
| 9 | 415475 | Decal, Speed Control |
| 10 | 183730 | Decal, Remote Deflector Control |
| 11 | 415399 | Decal, LH Trigger |
| 12 | 415398 | Decal, RH Trigger |
| -- | 415308 | Owner's Manual, English |
| -- | 415309 | Owner's Manual, French |

NOTE: All component dimensions given in U.S. inches. 1 inch = 25.4 mm
IMPORTANT: Use only Original Equipment Manufacturer (O.E.M.) replacement parts.
 Failure to do so could be hazardous, damage your snow thrower and void your warranty.

LIMITED WARRANTY

The Manufacturer warrants to the original consumer purchaser that this product as manufactured is free from defects in materials and workmanship. For a period of two (2) years from date of purchase by the original consumer purchaser, we will repair or replace, at our option, without charge for parts or labor incurred in replacing parts, any part which we find to be defective due to materials or workmanship. This Warranty is subject to the following limitations and exclusions.

1. This warranty does not apply to the engine or components parts thereof. Please refer to the applicable manufacturer's warranty on these items.
2. Transportation charges for the movement of any power equipment unit or attachment are the responsibility of the purchaser. Transportation charges for any parts submitted for replacement under this warranty must be paid by the purchaser unless such return is requested by the manufacturer.
3. The Warranty period for any products used for rental or commercial purposes is limited to 90 days from the date of original purchase.
4. This Warranty applies only to products which have been properly assembled, adjusted, operated, and maintained in accordance with the instructions furnished. This Warranty does not apply to any product which has been subjected to alteration, misuse, abuse, improper assembly or installation, delivery damage, or to normal wear of the product.
5. Exclusions: Excluded from this Warranty are belts, shear pins, normal wear, normal adjustments, standard hardware and normal maintenance.
6. In the event you have a claim under this Warranty, you must return the product to an authorized service dealer.

Should you have any unanswered questions concerning this Warranty, please contact:

Poulan
Customer Service Department
1030 Stevens Creek Road
Augusta, GA 30907 USA

In Canada contact:
Poulan, Customer Service Department
5855 Terry Fox Way
Mississauga, Ontario
L5V 3E4

giving the complete mfg. ID#, serial number and date of purchase of your product and the name and address of the authorized dealer from whom it was purchased.

THIS WARRANTY DOES NOT APPLY TO INCIDENTAL OR CONSEQUENTIAL DAMAGES AND ANY IMPLIED WARRANTIES ARE LIMITED TO THE SAME TIME PERIODS STATED HEREIN FOR OUR EXPRESSED WARRANTIES. Some areas do not allow the limitation of consequential damages or limitations of how long an implied Warranty may last, so the above limitations or exclusions may not apply to you. This Warranty gives you specific legal rights, and you may have other rights which vary from locale to locale.

This is a limited Warranty within the meaning of that term as defined in the Magnuson-Moss Act of 1975.

Poulan