

REPAIR PARTS MANUAL
MODEL NO. A18KG42/93603700 (96046000100)
Lawn Tractor



HOW TO USE THIS MANUAL

This manual is designed to provide the customer with a means to identify the parts on his/her tractor when ordering repair parts. The illustrations may or may not represent the actual assemblies; therefore, it is not recommended to use this manual as a guide to assemble or disassemble the tractor. Some hardware and parts are drawn larger in order to more readily identify them.

Each tractor has its own model number.

The model number for your tractor can be found on the fender under the seat.

When ordering parts, always give the following information:

- Product - "Tractor"
- MODEL NUMBER - "A18KG42 (96046000100)"
- Part Number
- Part Description

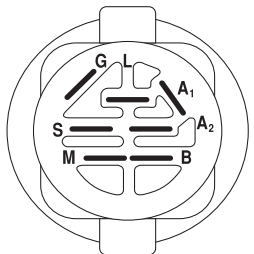
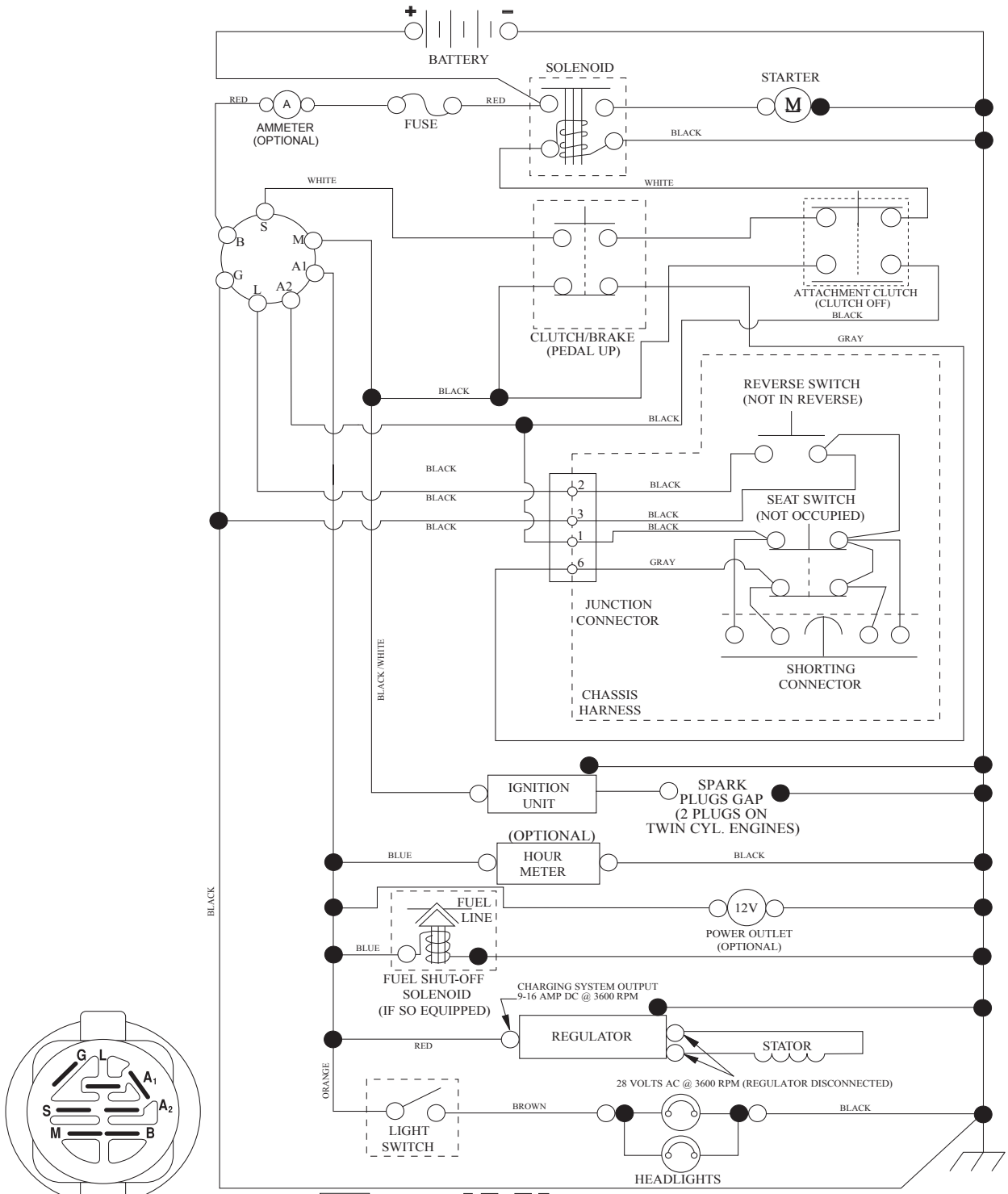
TABLE OF CONTENTS

SCHEMATIC	3
ELECTRICAL.....	4-5
CHASSIS	6-7
DRIVE.....	8-9
ENGINE.....	10-11
STEERING	12
SEAT	13
MOWER DECK	14-15
MOWER LIFT.....	16
DECALS.....	17
WARRANTY.....	BACK PAGE

REPAIR PARTS

TRACTOR -- MODEL NUMBER A18KG42/93603700 (96046000100), PRODUCT NO. 960 46 00-01 SCHEMATIC

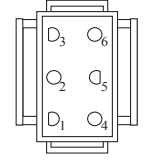
SCH10



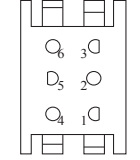
IGNITION SWITCH

POSITION	CIRCUIT	"MAKE"
OFF	M+G+A1	
RUN/OVERRIDE	B+A1	
RUN	B+A1	L+A2
START	B + S + A1	

03107



CHASSIS HARNESS CONNECTOR (MATING SIDE)



DASH HARNESS CONNECTOR (MATING SIDE)

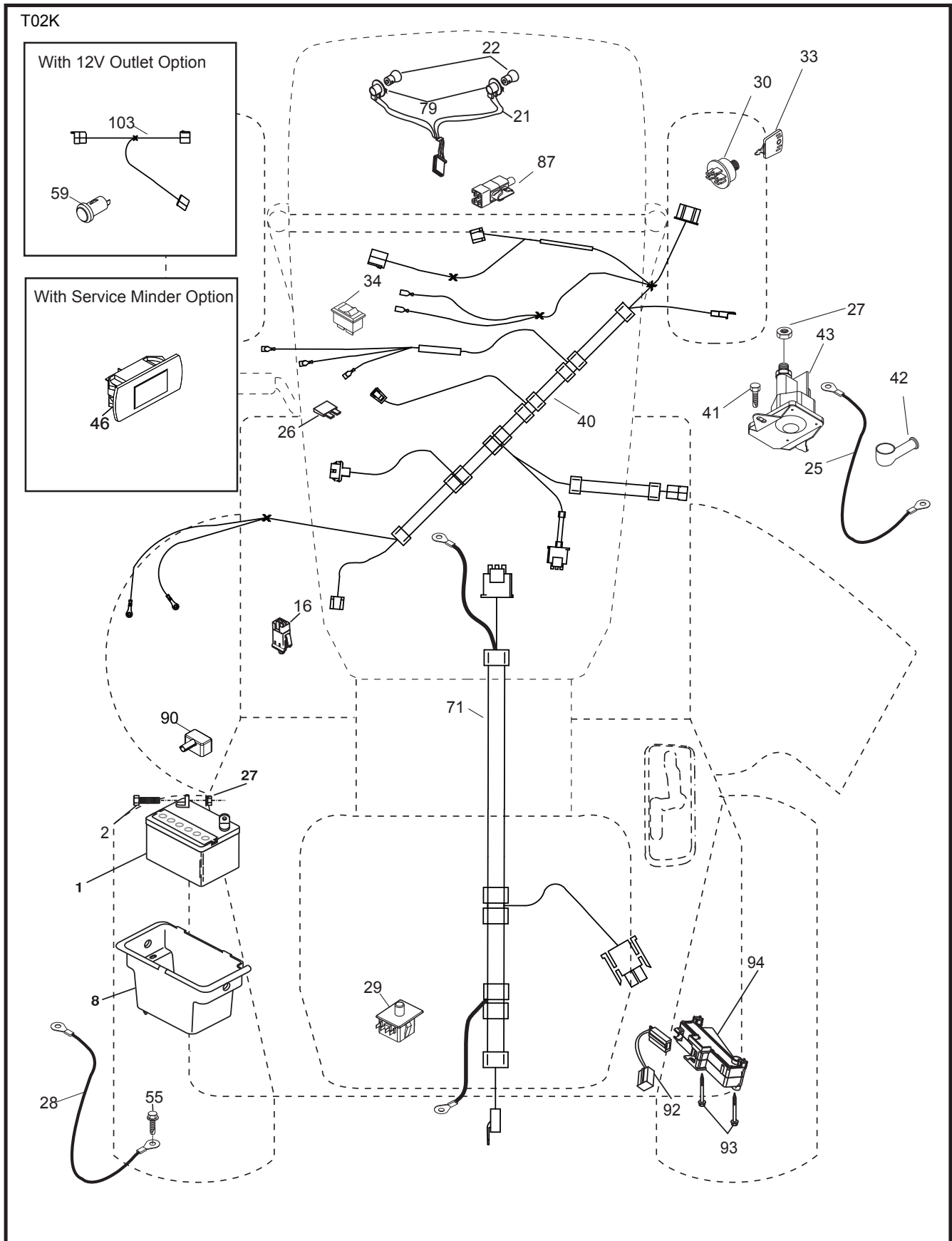
WIRING INSULATED CLIPS
NOTE: IF WIRING INSULATED CLIPS WERE REMOVED FOR SERVICING OF UNIT, THEY SHOULD BE RE-INSTALLED TO PROPERLY SECURE YOUR WIRING.

NON-REMOVABLE CONNECTIONS

REMOVABLE CONNECTIONS

REPAIR PARTS

TRACTOR -- MODEL NUMBER A18KG42/93603700 (96046000100), PRODUCT NO. 960 46 00-01
ELECTRICAL



REPAIR PARTS

TRACTOR - - MODEL NUMBER A18KG42/93603700 (96046000100), PRODUCT NO. 960 46 00-01
ELECTRICAL

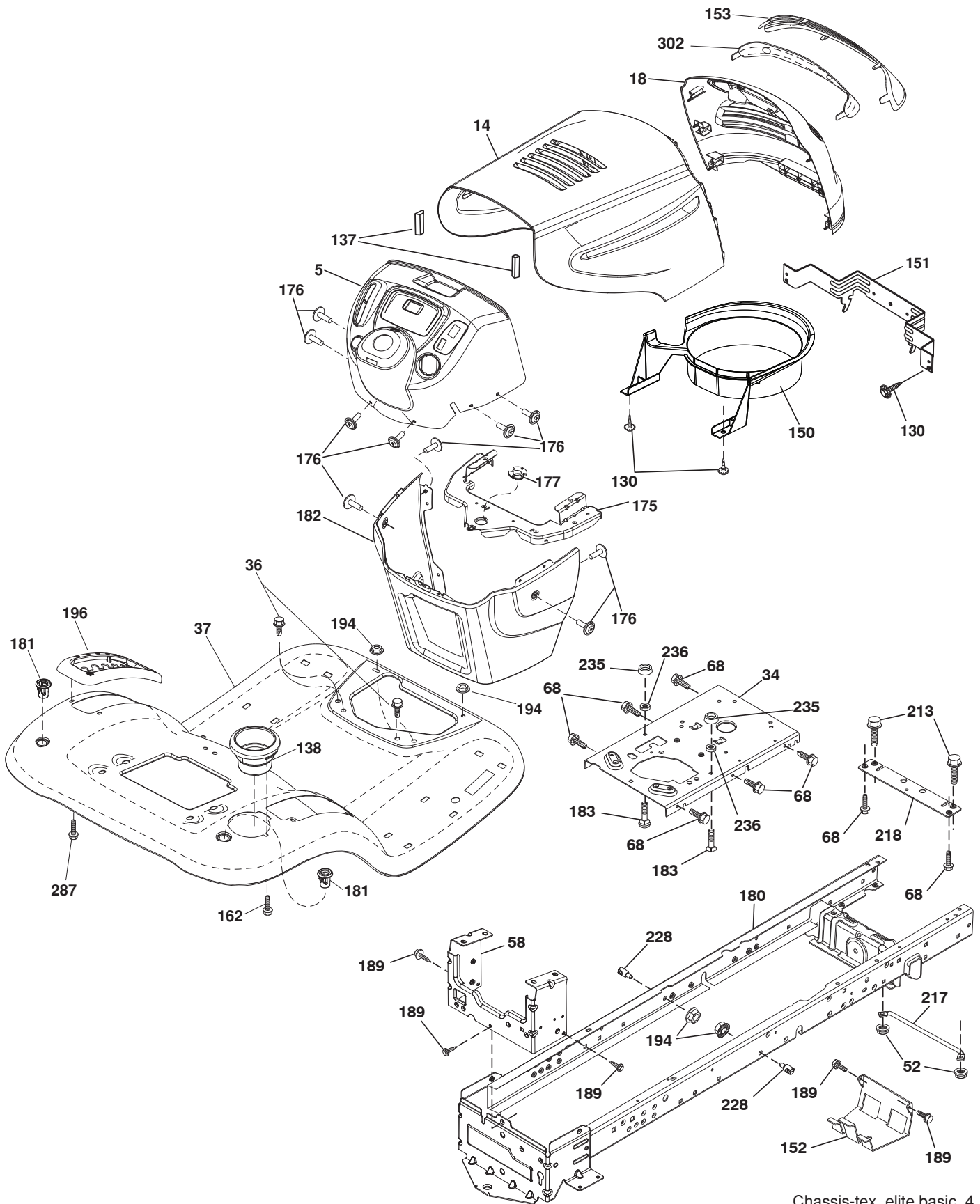
KEY NO.	PART NO.	DESCRIPTION
1	163465	Battery
2	74760412	Bolt Hex Hd 1/4-20 unc x 3/4
8	193228	Box Battery
16	176138	Switch Interlock
21	183759	Harness Socket Light
22	4152J	Bulb, Light #1156
25	412894	Cable Battery 6 Ga. BL/Red 14.5
26	175158	Fuse
27	73510400	Nut Keps Hex 1/4-20 unc
28	198885	Cable Ground 18" Rear Battery Blk 6 Ga.
29	192749	Switch Seat
30	193350	Switch Ign
33	411935	Key/Chain
34	110712X	Switch Light/Reset
40	401098	Harness Ign
41	17720408	Screw 1/4-20 unc x 1/2
42	131563	Cover Terminal Red
43	192507	Solenoid
55	17060512	Screw 5/16-18 x 3/4
71	400449	Harness Ign. Chass.
79	175242	Socket Asm. Bulb
87	197802	Switch Interlock Clutch
90	400725	Cover Terminal
92	196615	Harness Pigtail Reverse Switch
93	192540	Screw Plastic 10-14 x 2.0
94	191834	Modual Reverse ROS

NOTE: All component dimensions given in U.S. inches
1 inch = 25.4 mm

REPAIR PARTS

TRACTOR -- MODEL NUMBER A18KG42/93603700 (96046000100), PRODUCT NO. 960 46 00-01

CHASSIS



Chassis-tex_elite basic_4

REPAIR PARTS

TRACTOR - - MODEL NUMBER A18KG42/93603700 (96046000100), PRODUCT NO. 960 46 00-01
CHASSIS

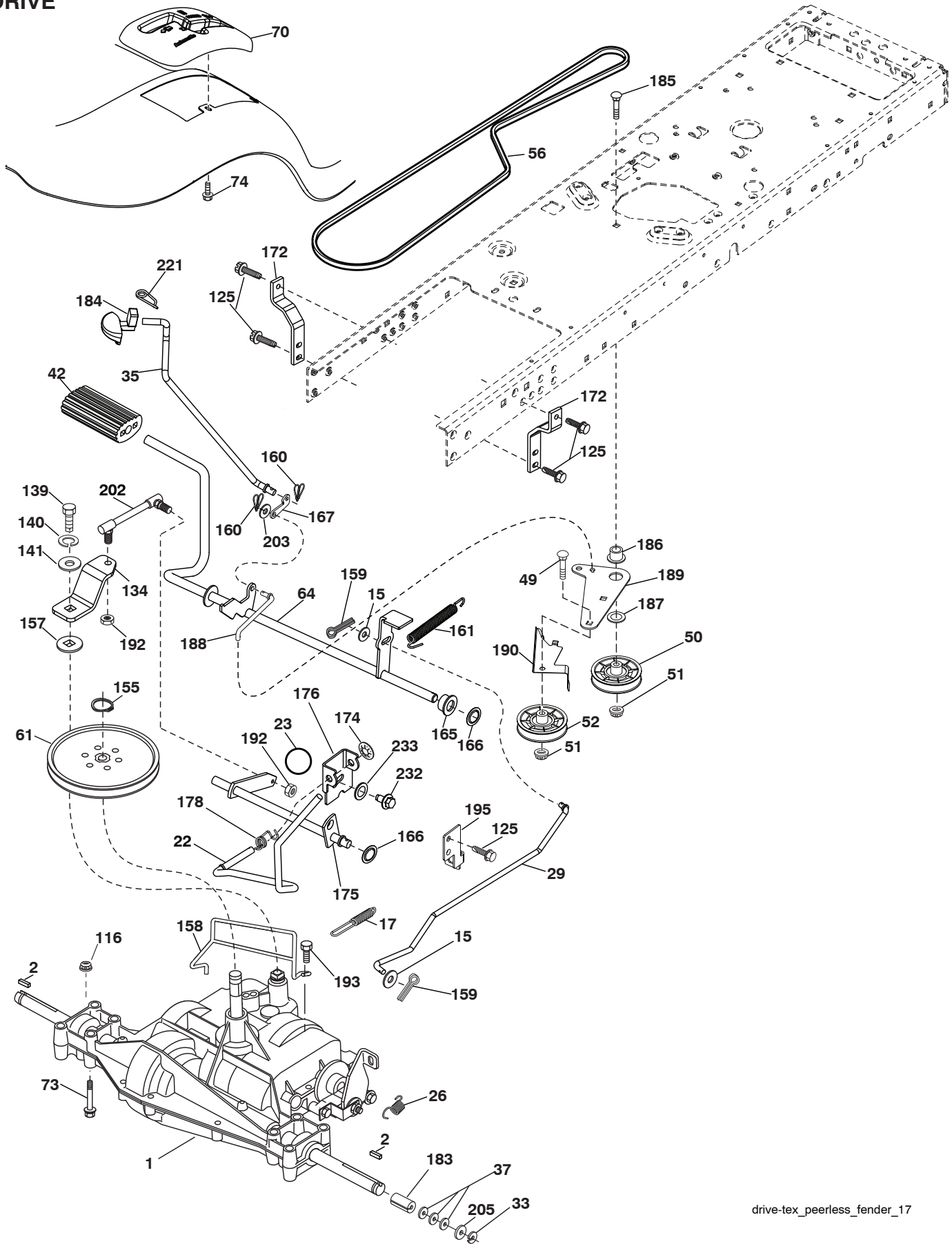
KEY NO.	PART NO.	DESCRIPTION
5	197783X428	Dash
14	423094X422	Hood
18	423182	Grille Asm
34	196125	Plate Engine
36	17060512	Screw 5/16-18 x 3/4
37	414872X422	Fender
58	412280	Drawbar Upper
68	17490508	Screw Thdrol 5/16-18 x 1/2
130	416358	Screw #10 x 0.750
137	184921	Bumper Hood
138	193224X428	Cupholder
150	184462	Duct Air
151	407807	Bracket Pivot
152	199535	Shield Browning/Debris
162	142432	Screw Hex Wsh Hi-Lo 1/4 x 1/2
175	193243	Crossmember
176	400776	Screw 10-24 x 5/8 Wshd Qdrx
177	195228	Bushing Steering
180	415063	Chassis
181	193102X428	Bushing Mtg. Fender Crgo.
182	193057	Dash Lower
183	74780520	Bolt Fin Hex 5/16-18 x 1-1/4
189	17000512	Screw 5/16-18 x 3/4
194	73900500	Nut Lock Hex Flange 5/16-18
196	414579	Console Asm. Deck Lift
217	409167	Rod Pivot Hood
228	195161	Stud Fastener
235	406129	Spacer Fender
236	73930500	Nut Center Lock 5/16-18
287	17600406	Screw 1/4-20 x 3/8
302	183823	Insert Lens Reflective

NOTE: All component dimensions given in U.S. inches
1 inch = 25.4 mm

REPAIR PARTS

TRACTOR -- MODEL NUMBER A18KG42/93603700 (96046000100), PRODUCT NO. 960 46 00-01

DRIVE



REPAIR PARTS

TRACTOR - - MODEL NUMBER A18KG42/93603700 (96046000100), PRODUCT NO. 960 46 00-01
DRIVE

KEY NO.	PART NO.	DESCRIPTION	KEY NO.	PART NO.	DESCRIPTION
1	-----	Transaxle, Peerless 206-565	160	169484	Retainer Clip
2	123583X	Key Square	161	105709X	Spring, Return, Clutch
15	19131316	Washer 13/32 x 13/16 x 16 Ga.	165	196212	Busing Shaft Brake Hand Control
17	197297	Spring, Brake	166	197290	Nut Push .625
22	197660	Rod Shift	167	405257	Latch Brake Parking
23	196492X428	Knob	172	197657	Strap Torque LH
26	197455	Spring Brake RTN	174	197289	Nut Push
29	197267	Rod, Brake	175	197858	Shaft Asm Shift
33	12000001	Ring E	176	196214	Arm Clevis Rod Shift
35	197722	Rod, Brake, Park	178	197456	Spring Shift
37	121749X	Washer 25/32 x 1-1/4 x 16 Ga.	183	137057	Spacer, Axle
42	8883R	Cover, Foot Pedal	184	198403X505	Handle Parking Brake
49	72110614	Bolt	185	72110622	Bolt
50	194327	Pulley Idler Flat	186	194321	Spacer Retainer
51	73900600	Lock Nut 3/8-16	187	19133210	Washer
52	194326	Idler V-Groove	188	194323	Link Clutch Ground Drive
56	194346	V-Belt, Drive	189	194317	Bellcrank Ground Drive
61	123666X	Pulley Transaxle	190	194318	Keeper Bellcrank Ground Drive
64	196200	Shaft Asm. Pedal Brake Control	192	150360	Nut Lock Center 1/4-28
70	193225X428	Console	193	17060512	Screw 5/16-18 x 3/4
73	74490544	Bolt 5/16-18 Gr. 5	195	197332	Bracket Brake Rod
74	142432	Screw 1/4 x 1/2	202	197859	Link Shift
116	73900500	Nut Lock Hex Flange 5/16-18	203	19111116	Washer 11/32 x 11/16 x 16 Ga.
125	17000512	Screw 5/16-18 x 3/4	205	121748X	Washer 25/32 x 1-5/8 x 16 Ga.
134	197857	Arm Shift	221	403187	Retainer Spring Clip Handle
139	74550412	Bolt 1/4-20 unf Gr. 8 w/Patch	232	74780716	Bolt 7/16-14 x 1 Gr. 5
140	10040400	Washer Lock Hvy Helical 1/4	233	405296	Washer Serrated
141	19091210	Washer 9/32 x 3/4 x 10 Ga.			
155	12000028	Ring Retainer			
157	105701X	Washer Plate Shf			
158	194352	Keeper T/A			
159	76020412	Pin Cotter 1/8 x 3/4			

NOTE: All component dimensions given in U.S. inches
1 inch = 25.4 mm

REPAIR PARTS

TRACTOR - - MODEL NUMBER A18KG42/93603700 (96046000100), PRODUCT NO. 960 46 00-01
ENGINE

KEY NO.	PART NO.	DESCRIPTION
1	-- -- --	Engine Kohler Model No. SV470
2	188655	Muffler
9	194319	Keeper Belt Engine
12	401985	Pulley Engine
15	407545	Tank Fuel 1.5
18	197725	Cap Asm
20	176636X428	Control Throttle
21	416358	Screw #10 x 0.750
28	401137	Fuel Line
29	137180	Spark Arrester Kit
37	123487	Clamp Hose
41	10040700	Bolt 5/16-18 unc x 3/4 w/Sems
43	173937	Bolt Hex 7/16-20 x 4 Gr. 5
45	73510400	Nut Keps Hex 1/4-20 unc
69	185909	Gasket
72	192334	Screw 5/16 - 18 x .75
81	148456	Tube Drain Oil Easy
82	181654	Plug Drain Oil
83	171877	Bolt 5/16-18 unc x 3/4 w/Sems
90	17000616	Screw 3/8-16 x 1
92	17120616	Screw 3/8-16 x 1
94	188654	Tube Exhaust
96	19091416	Washer 9/32 x 7/8 x 16 Ga.
97	17670412	Screw 1/4-20 x 3/4

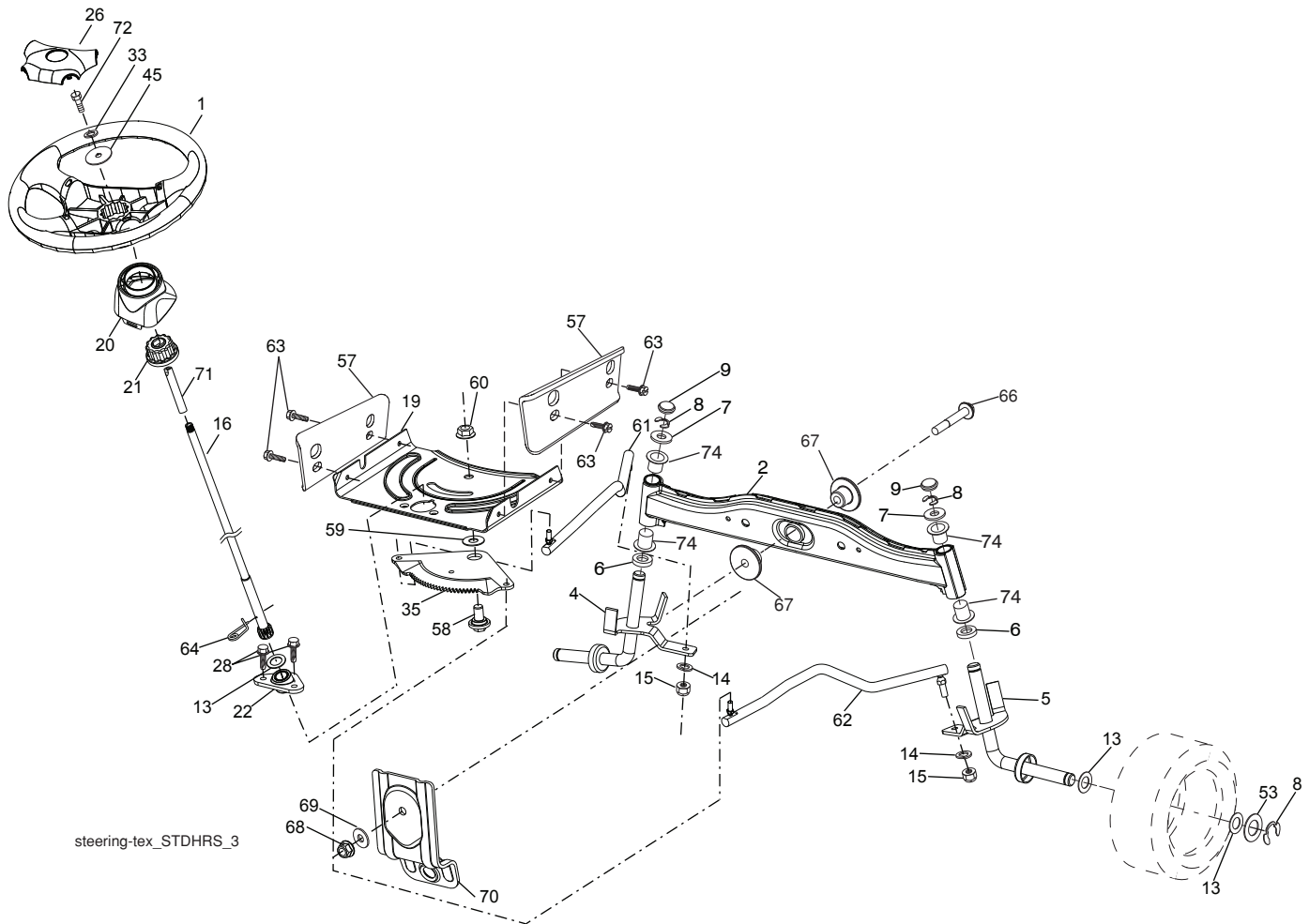
NOTE: All component dimensions given in U.S. inches
1 inch = 25.4 mm

For engine service and replacement parts, call the toll free
number for your engine manufacturer listed below:

Kohler Co. 1-800-544-2444

REPAIR PARTS

TRACTOR - - MODEL NUMBER A18KG42/93603700 (96046000100), PRODUCT NO. 960 46 00-01
STEERING



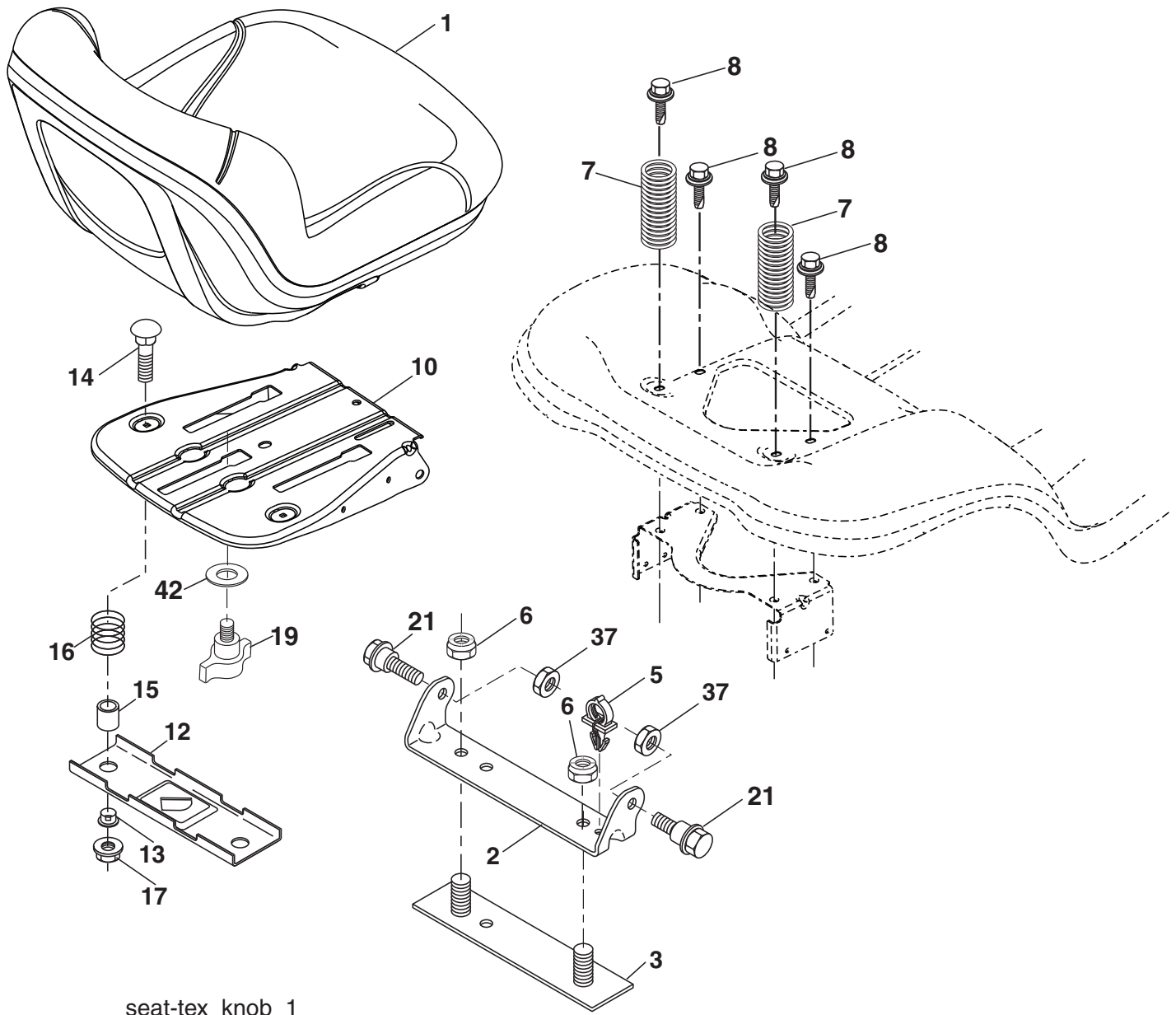
steering-tex_STDHRS_3

KEY NO.	PART NO.	DESCRIPTION	KEY NO.	PART NO.	DESCRIPTION
1	414803X428	Wheel, Steering	53	188967	Washer Hardened.793x1.637x.060
2	418168	Axle Asm., Front	57	407465	Bracket Upstop
4	403087	Spindle Asm., LH	58	194747	Bolt Shoulder Sector Pivot CFM
5	403088	Spindle Asm., RH	59	194748	Washer Thrust Sector Steering
6	6266H	Washer Thrust 0.75 x 1.23	60	73971000	Nut Flange Lock 5/8-11
7	121748X	Washer 25/32 x 1-5/8 x 16 Ga.	61	194740	Draglink, LH
8	12000029	Ring, Clip #T5304-75	62	194741	Draglink, RH
9	121232X	Cap, Spindle	63	17000512	Screw 5/16-18 x 3/4
13	121749X	Washer 25/32 x 1-1/4 x 16 Ga.	64	199849	Retainer Clip Spring Steering
14	10040600	Washer Lock 3/8	65	194734	Brace Axle Front
15	73540600	Nut, Crown Lock 3/8-24 unf	66	71020748	Bolt Hex Fghd 7/16-14 x 3 Serr
16	408220	Shaft Steering	67	194737	Bushing PM Front Axle
19	194729	Plate Steering	68	73900700	Nut Lock Flange 7/16-14 Gr. 5
20	198375X428	Boot, Steering	69	199162	Washer 1.5 x .505 x .118
21	186737	Adapter, Wheel Steering	70	196197	Bracket Deck Susp. Front
22	194845	Bushing, Strg. Blk	71	196075	Shaft Ext. Steering
26	414854X428	Insert, Wheel Steering	72	74780572	Bolt 5/16-18 x 4.5 Gr. 5
28	17000612	Screw 3/8-16 x 3/4			
33	10040500	Washer Lock 5/16			
35	194732	Gear, Sector Plate			
45	19113812	Washer 11/32 x 2-3/8 x 12 Ga.			

NOTE: All component dimensions given in U.S. inches
1 inch = 25.4 mm

REPAIR PARTS

TRACTOR -- MODEL NUMBER A18KG42/93603700 (96046000100), PRODUCT NO. 960 46 00-01
SEAT



seat-tex_knob_1

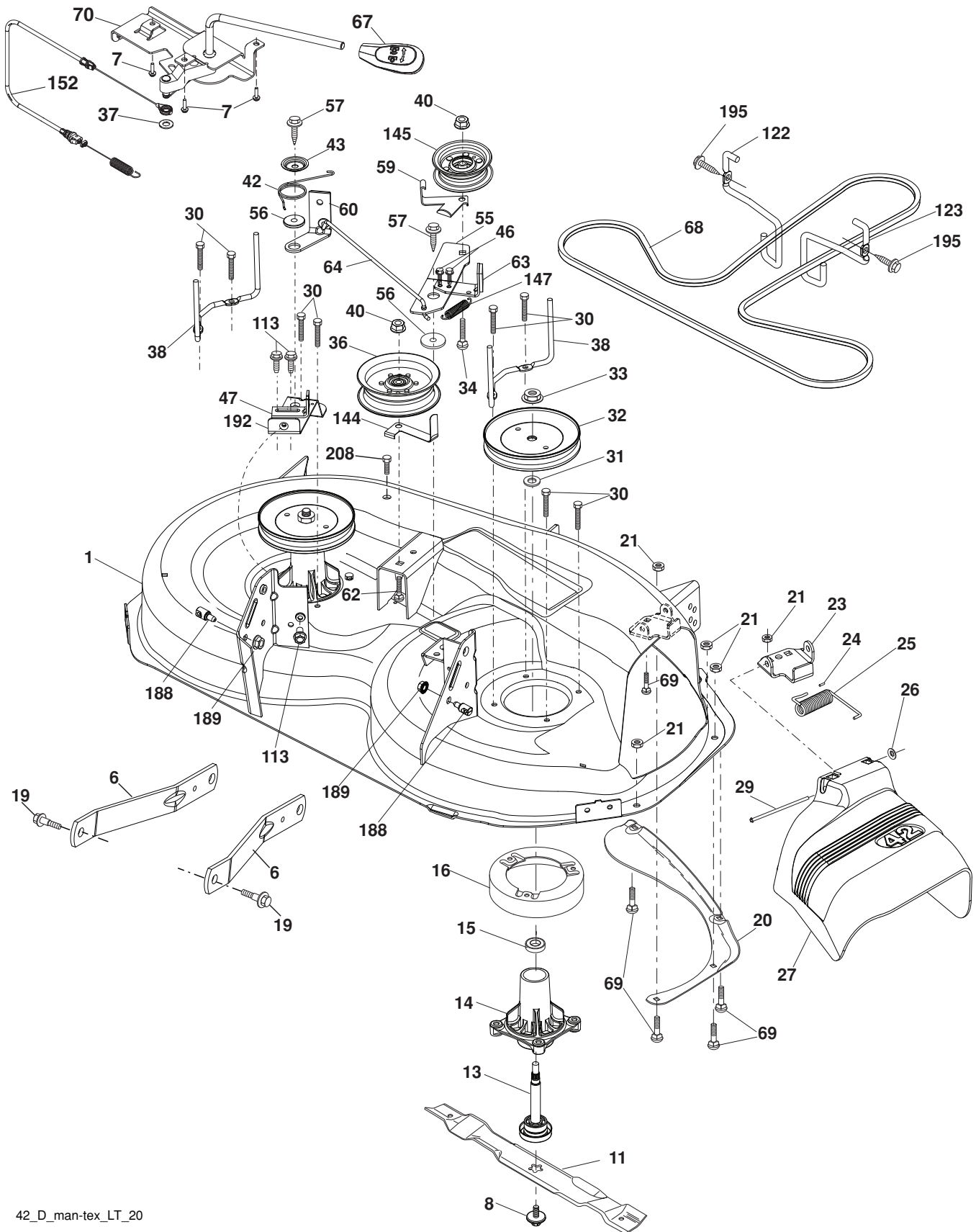
KEY NO.	PART NO.	DESCRIPTION
1	423009	Seat
2	180166	Bracket Pivot Fender
3	140675	Strap, Asm Fender
6	73800600	Nut, Lock w/Ins. 3/8-16 unc
7	124181X	Spring, Seat Cprsn
8	171877	Bolt 5/16-18 unc x 3/4 w/Sems
10	199180	Pan, Seat

KEY NO.	PART NO.	DESCRIPTION
21	171852	Bolt, Shoulder 5/16-18
37	73800500	Nut, Lock 5/16-18 unc

NOTE: All component dimensions given in U.S. inches
1 inch = 25.4 mm

REPAIR PARTS

TRACTOR -- MODEL NUMBER A18KG42/93603700 (96046000100), PRODUCT NO. 960 46 00-01
MOWER DECK



REPAIR PARTS

TRACTOR - - MODEL NUMBER A18KG42/93603700 (96046000100), PRODUCT NO. 960 46 00-01
MOWER DECK

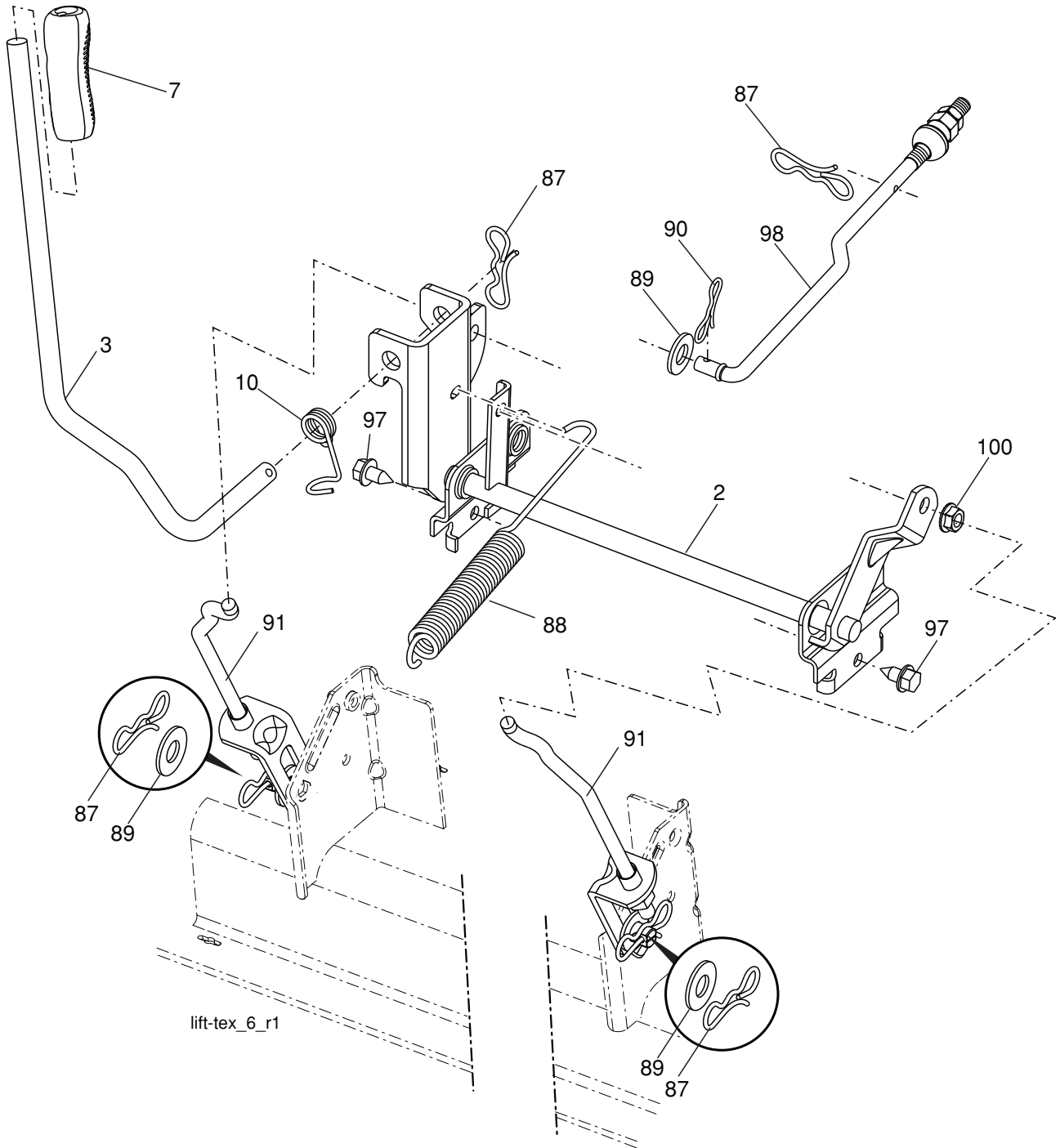
KEY NO.	PART NO.	DESCRIPTION	KEY NO.	PART NO.	DESCRIPTION
1	199911	Mower Housing	57	17000616	Screw 3/8-16 x 1
6	195186	Arm Suspension	59	141043	Guard, Tuv Idler
7	416358	Screw #10 x 0.750	60	197261	Arm Brake Mower
8	193003	Bolt/Washer asm 7/16-20 unf	62	72110616	Bolt 3/8-16 unc x 2
11	138971	Blade Mower 42" Hi Lift Premium (For better wear when mulching)	63	199477	Arm Brake Mower
13	192872	Shaft Assembly, Mandrel	64	199790	Link Brake
14	187281	Housing, Mandrel	67	198398X428	Handle Clutch Cable
15	110485	Bearing, Ball, Mandrel	68	197253	V-Belt
16	174493	Stripper Mandrel Deck	69	72140505	Bolt
19	196539	Bolt, Shoulder	70	198332	Clutch Asm Manual
20	159770	Baffle Vortex	113	17000510	Screw 5/16-18
21	73680500	Nut, Crownlock 5/16-18 unc	122	197258	Keeper Belt Engine LH
23	192557	Bracket, Deflector	123	197259	Keeper Belt Engine RH
24	105304	Cap, Sleeve	144	199204	Keeper Belt
25	197026	Spring, Torsion, Deflector	145	193197	Pulley Idler
26	110452	Nut, Push	147	401971	Spring Return
27	193108X428	Shield, Deflector	152	408714	Manual Clutch Cable
29	131491	Rod, Hinge	188	195161	Stud Fastener
30	173984	Screw Thdrol Rolling Wsh Hd	189	73900500	Nut Lock Hex Flange
31	187690	Washer, Spacer	192	197260	Bracket Brake Stand LH
32	197473	Pulley, Mandrel	195	17000612	Screw 3/8-16 x 3/4
33	400234	Nut, Toplock, Flanged	208	17670608	Screw 3/8-16 x 1/2
34	72110612	Bolt Carr Sh. 3/8-16 x 1-1/2 Gr. 5	--	192870	Mandrel Assembly (Includes housing, shaft assembly, and bearing only - pulley/nut/washer and blade bolt/washers not included)
36	197379	Pulley, Idler, Flat	--	415241	Replacement Mower, Complete
37	19131316	Washer			
38	199189	Keeper Belt LH Mandrel			
40	73900600	Nut, Lock Flg. 3/8-16 unc			
42	198410	Spring Torsion Brake			
43	197256	Spring Torsion Retainer			
46	137729	Screw 1/4-20 x 5/8			
47	197250	Bracket Clutch Cable			
55	197249	Arm, Idler			
56	199092	Spacer, Retainer			

NOTE: All component dimensions given in U.S. inches
1 inch = 25.4 mm

REPAIR PARTS

TRACTOR -- MODEL NUMBER A18KG42/93603700 (96046000100), PRODUCT NO. 960 46 00-01

MOWER LIFT



lift-tex_6_r1

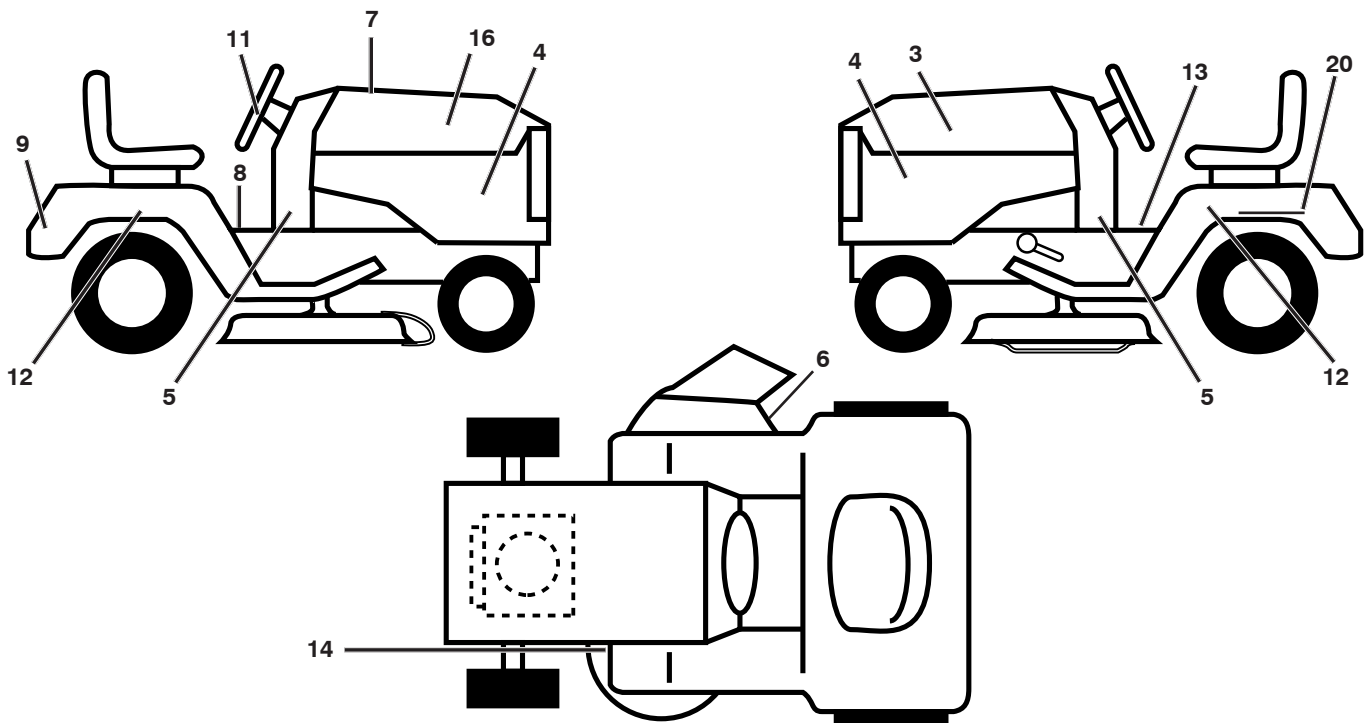
KEY NO.	PART NO.	DESCRIPTION
2	195223	Shaft Asm., Lift
3	195231	Lever Asm., Lift RH
7	196492X428	Grip, Lever
10	196314	Spring Torsion
87	194209	Pin Cotter 7/16 Bow Tie Lock
88	410710	Spring Lift Assist
89	19171912	Washer Clear Zinc
90	194208	Pin Cotter 5/16 Bow Tie Lock

KEY NO.	PART NO.	DESCRIPTION
91	195181	Link Lift Susp Mower Rear
97	17000612	Screw 3/8-16 x .75 Smgml Tap/R.Z
98	195270	Link Lift Susp. Front Mower
100	73930600	Nut Centerlock 3/8 -16 unc

NOTE: All component dimensions given in U.S. inches
1 inch = 25.4 mm

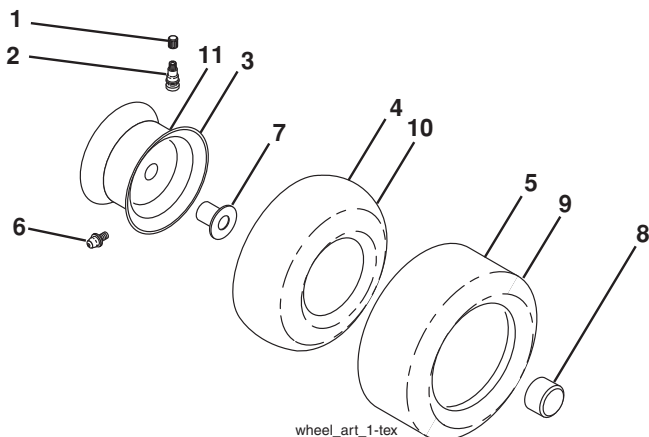
REPAIR PARTS

TRACTOR -- MODEL NUMBER A18KG42/93603700 (96046000100), PRODUCT NO. 960 46 00-01



KEY NO.	PART NO.	DESCRIPTION	KEY NO.	PART NO.	DESCRIPTION
3	422853	Decal Hood LH	13	422816	Decal Fend SD
4	422812	Decal Side Panel Logo	14	160396	Decal V-Belt Schematic
5	424137	Decal Lwr Dash	16	422854	Decal Hood RH
6	170563	Decal Warning, Keep Hand Away	20	145005	Decal Bat Dan/Psn
7	424087	Decal Replacement Parts	--	193226X428	Pad Footrest LH
8	411658	Decal Fender Warn S/F	--	193227X428	Pad Footrest RH
9	422855	Decal Fender Logo	--	423924	Manual Operator's (Eng/French)
11	422810	Decal Ins Strg Whl	--	424625	Manual Operator's (Spanish)
12	422815	Decal Fend	--	423925	Manual Parts (Eng/French)

WHEELS AND TIRES



KEY NO.	PART NO.	DESCRIPTION
1	59192	Cap Valve Tire
2	65139	Stem Valve
3	106732X643	Rim Asm 6" Front
4	59904	Tube Front (Service Item Only)
5	106222X	Tire F T 15 x 6 0 - 6
6	278H	Fitting Grease (Front Wheel Only)
7	9040H	Bearing Flange (Front Wheel nly)
8	104757X643	Cap Axle Blk 1 50 x 1 00
9	420531	Tire R T 18 x 9.5-8C Turf Saver LT
10	7152J	Tube Rear (Service Item Only)
11	106108X643	Rim Asm 8" Rear Service
--	144334	Sealant, Tire (10 oz. Tube)

NOTE: All component dimensions given in U.S. inches
1 inch = 25.4 mm