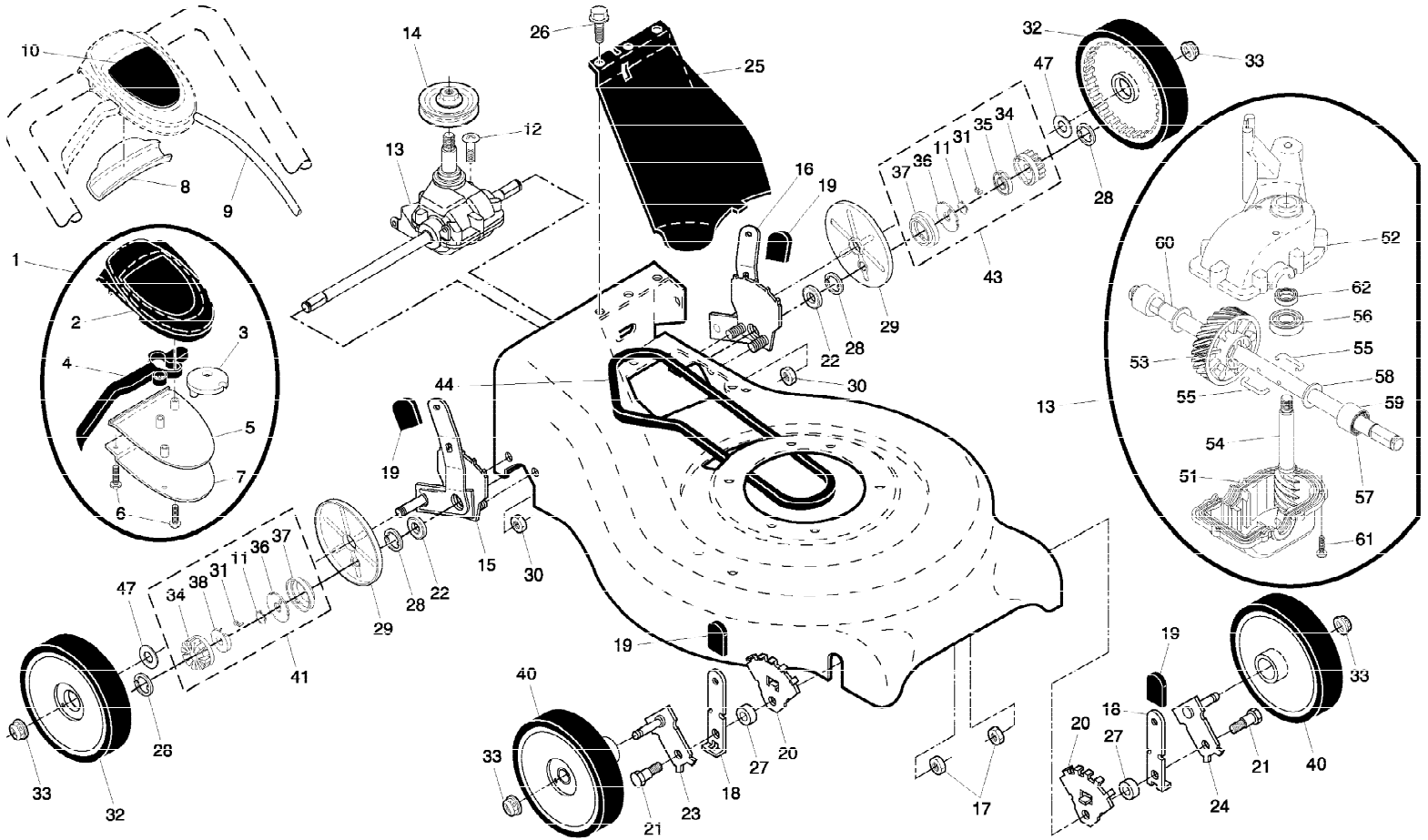


Ref #	Part Number	Qty	Description
1	194579X479		Handle, Upper
2	193664X479		Handle, Lower
3	186053		Spring, Rear Door, RH
4	194788		Rope Guide
5	132004		Nut, Hex, with Lockwasher Insert 1/4-20
6	66426		Wire, Tie
7	191574		Bolt, Handle 5/16-18 x 2-5/8
8	189713X428		Knob, Handle
9	194580X428		Control Bar
10	188821		Bolt, Carriage
11	73930500		Locknut, Hex 5/16-18
12	51793		Cotter, Hairpin
13	186052		Spring, Rear Door, LH
14	750634		Screw
15	850733X004		Bracket, Upstop
16	185855X428		Kit, Rear Door (Includes Springs)
17	184193		Bolt, Rear Door
18	198170		Plug, Mulcher
19	403063		Kit, Housing
20	192980X479		Handle Bracket Assembly, LH
21	192979X479		Handle Bracket Assembly, RH
22	150078		Screw, Hex Washer Head
23	163183		Bolt, Hex Head 5/16-18 x 5/8
24	73800500		Nut, Hex, with Lockwasher Insert 5/16-18
25	161333		Baffle, Side
26	163409		Screw #12 x 5/8
27	192876		Skirt, Rear
28	88652		Screw, Hinge 1/4-20 x 1.25
29	191221		Cable, Engine Zone Control
30	189179		Blade Adapter / Pulley
31	189028		Blade, 21"
32	851074		Washer
33	850263		Washer, Lock
34	851084		Bolt, Hex Head
35	188786		Debris Shield
36	192325		Bolt
37	150406		Bolt, Engine
38			Engine, Honda, Model Number GCV190; (For engine service and replacement parts, call Honda Engines at 1-800-426-7701)
39	402019		Grassbag
40	194644		Frame, Grassbag
41	107339X		Danger Decal
42	54583		Screw
45	183058X428		Mulcher Door Assembly
46	169699X428		Discharge Guard
47	88349		Nut, Hex
48	188839X004		Mounting Bracket, Debris Shield
50	57808		Screw
51	193791		Pulley, Idler
52	145212		Flanged Nut
53	155552		Locknut
54	193792X004		Idler Arm

Ref #	Part Number	Qty	Description
55	166043		Idler Pulley
56	160829		Shoulder Bolt
57	193315X004		Bracket Assembly
58	182003		Clip, Packaging
60	182226		Spring, Return
96	197991		Clip, Cable
	162300		Warning Decal (not shown)
	193733		Operator's Manual, English
	193736		Operator's Manual, French
	403061		Repair Parts Manual, English / French



Ref #	Part Number	Qty	Description
1	195989		Drive Control Assembly (Includes Cable)
2	195745		Cover, Top
3	187353		Pulley
4	195585		Lever, Drive Control
5	195744		Cover, Bottom
6	181698		Screw
7	400235X479		Mounting Bracket
8	184987		Cap, Bottom
9	196002		Cable, Drive
10	403211		Decal, Drive Control
11	188291		Spring, Torsion
12	187653		Screw
13	193354		Gear Case Assembly, Complete
14	193443		Pulley, Drive
15	197235		Kit, Wheel Adjuster Assembly, RH (Includes Knob and Bearing)
16	197234		Kit, Wheel Adjuster Assembly, LH (Includes Knob and Bearing)
17	166785		Nut, Hex
18	168360X004		Spring, Selector
19	87877		Knob, Selector Spring
20	160835X007		Bracket, Wheel Adjusting
21	160828		Bolt, Shoulder, Hex Head
22	169911		Bearing, Ball
23	186578X004		Axle Arm Assembly, RH
24	186577X004		Axle Arm Assembly, LH
25	199775X428		Cover Drive
26	750634		Screw, Threaded, Rolled #10-25 x .50
27	183901		Spacer
28	12000058		E-Ring 7/16
29	189403		Cover, Dust, Wheel
30	73800400		Nut, Hex
31	175098		Pawl
32	193912X427		Wheel & Tire Assembly, Rear 8 x 1-3/4
33	83923		Nut, Flangelock 3/8-16
34	175103		Gear
35	175105		Retainer, Drive, LH
36	175104		Disc, Drive
37	184172		Seal, Friction
38	175102		Retainer, Drive, RH
40	197972X427		Wheel & Tire Assembly, Front 8 x 1-3/4
41	188330		Pinion Assembly, RH
43	188331		Pinion Assembly, LH
44	183688		V-Belt
47	67725		Washer
51	187530		Case, Lower Use Dow Corning #709 to reseal Gear Case Halves.
52	187531		Case, Upper Use Dow Corning #709 to reseal Gear Case Halves.
53	187532		Gear, 24 Teeth
54	187533		Shaft, Input

Ref #	Part Number	Qty	Description
55	183505		Wire, Formed
56	183506		Bearing, Ball
57	183508		Seal, Output Shaft
58	183509		Washer
59	183511		Bushing
60	197385		Shaft, Output
61	183513		Screw
62	183514		Seal, Input Shaft