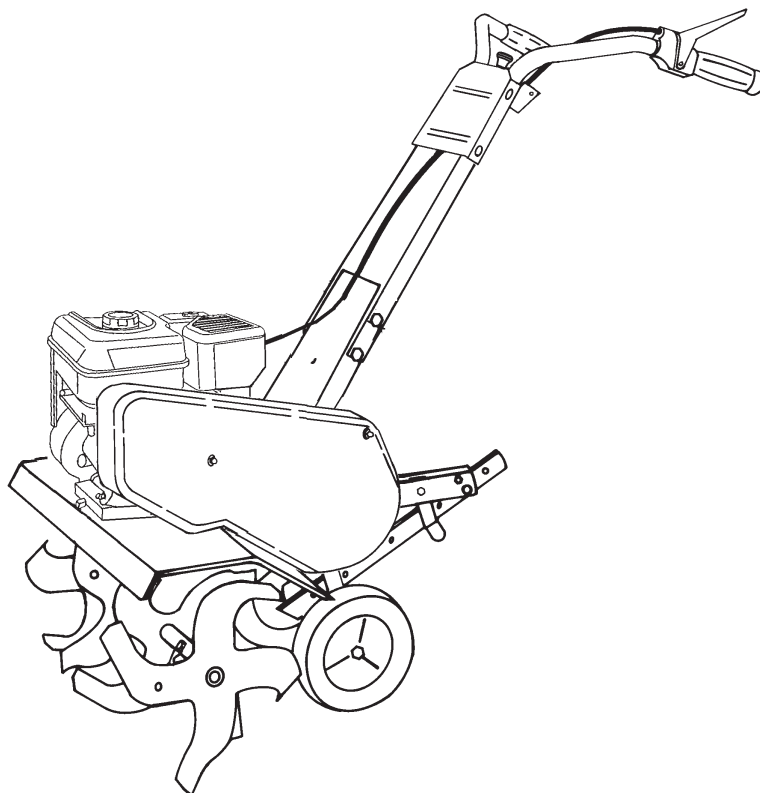


Poulan



REPAIR PARTS MANUAL

MODEL:

FT825

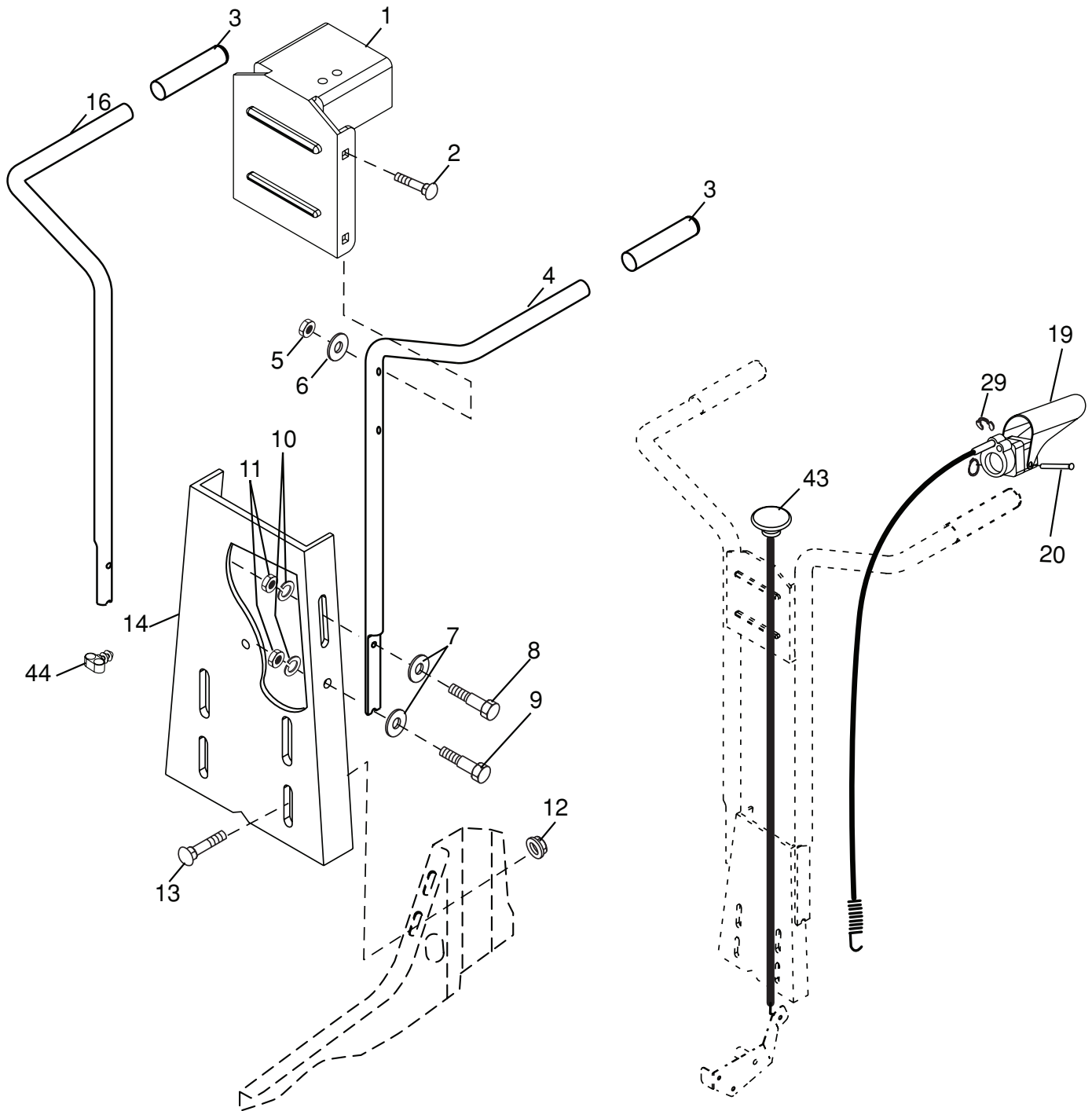
FRONT TINE TILLER

ALWAYS WEAR EYE PROTECTION DURING OPERATION

Visit our website: www.poulan.com

FRONT TINE TILLER – MODEL NUMBER FT825 (MFG. ID. NO. 96082000700)

HANDLE ASSEMBLY



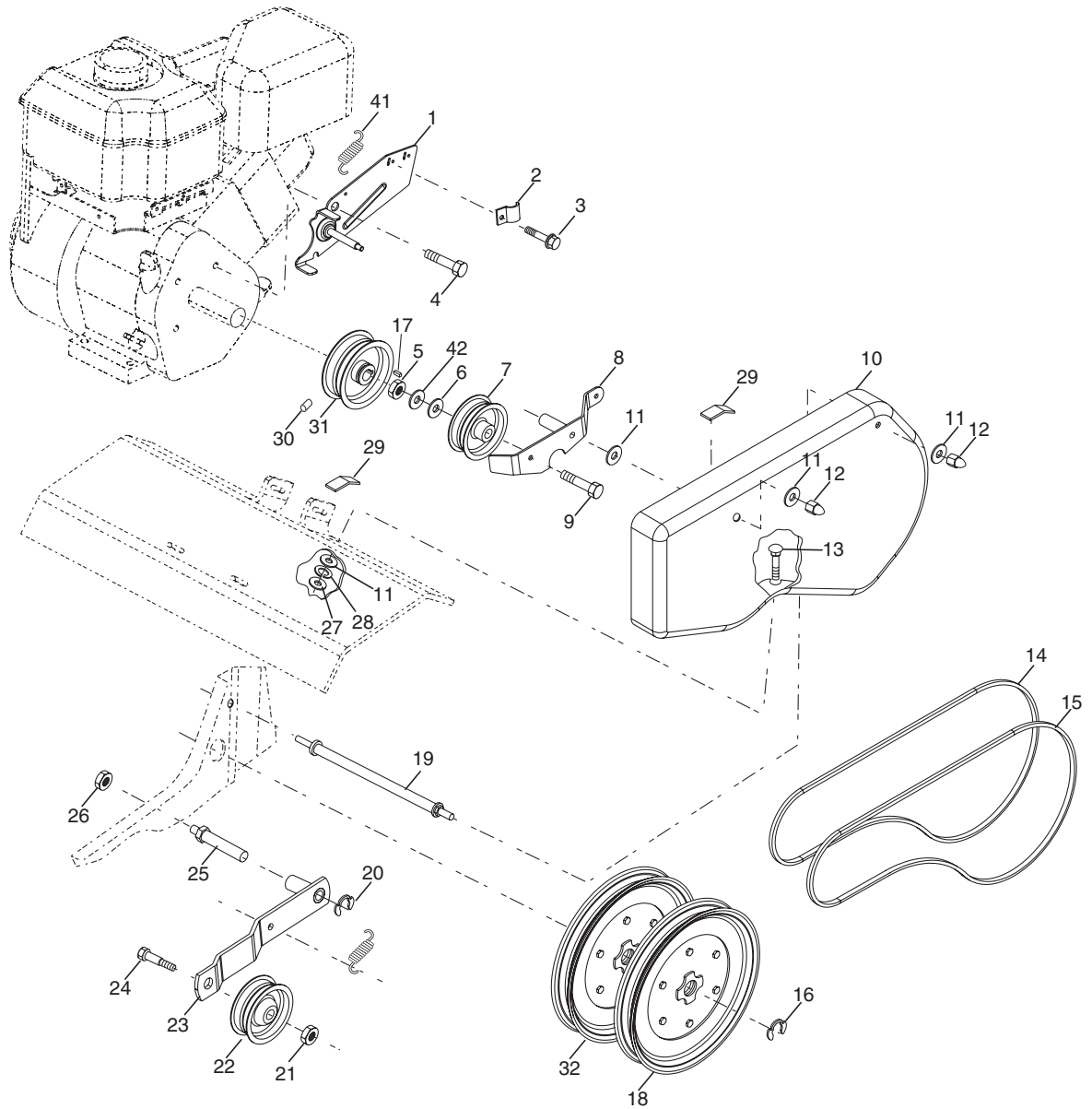
KEY NO.	PART NO.	DESCRIPTION
1	187820X428	Bracket, Handle
2	72140512	Bolt, Carriage 5/16-18 x 1-1/2
3	9266R	Grip, Handle
4	166376	Handle, L.H.
5	73680500	Nut, Hex, Crownlock 5/16-18
6	19111116	Washer 11/32 x 11/16 x 16 Gauge
7	19121414	Washer 3/8 x 7/8 x 14 Gauge
8	74760520	Bolt, Hex Head 5/16-18 x 1-1/4
9	74760516	Bolt, Hex Head 5/16-18 x 1
10	10040500	Washer, Lock 5/16
11	73220500	Nut, Hex 5/16-18
12	98000129	Nut, Hex, Flanged 5/16-18

KEY NO.	PART NO.	DESCRIPTION
13	180847	Bolt, Carriage, Gr. 5 5/16-18 x 3/4
14	181452X428	Panel, Handle
16	166377	Handle, R.H.
19	188562	Tine Control Lever Assembly (Includes Cable)
20	188555	Pin, Pivot
29	12000059	Retaining Ring
43	188177	Cable Assembly, Reverse
44	181580	Clip

NOTE: All component dimensions are given in U.S. inches. 1 inch = 25.4 mm

FRONT TINE TILLER – MODEL NUMBER FT825 (MFG. ID. NO. 96082000700)

BELT GUARD AND PULLEY ASSEMBLY

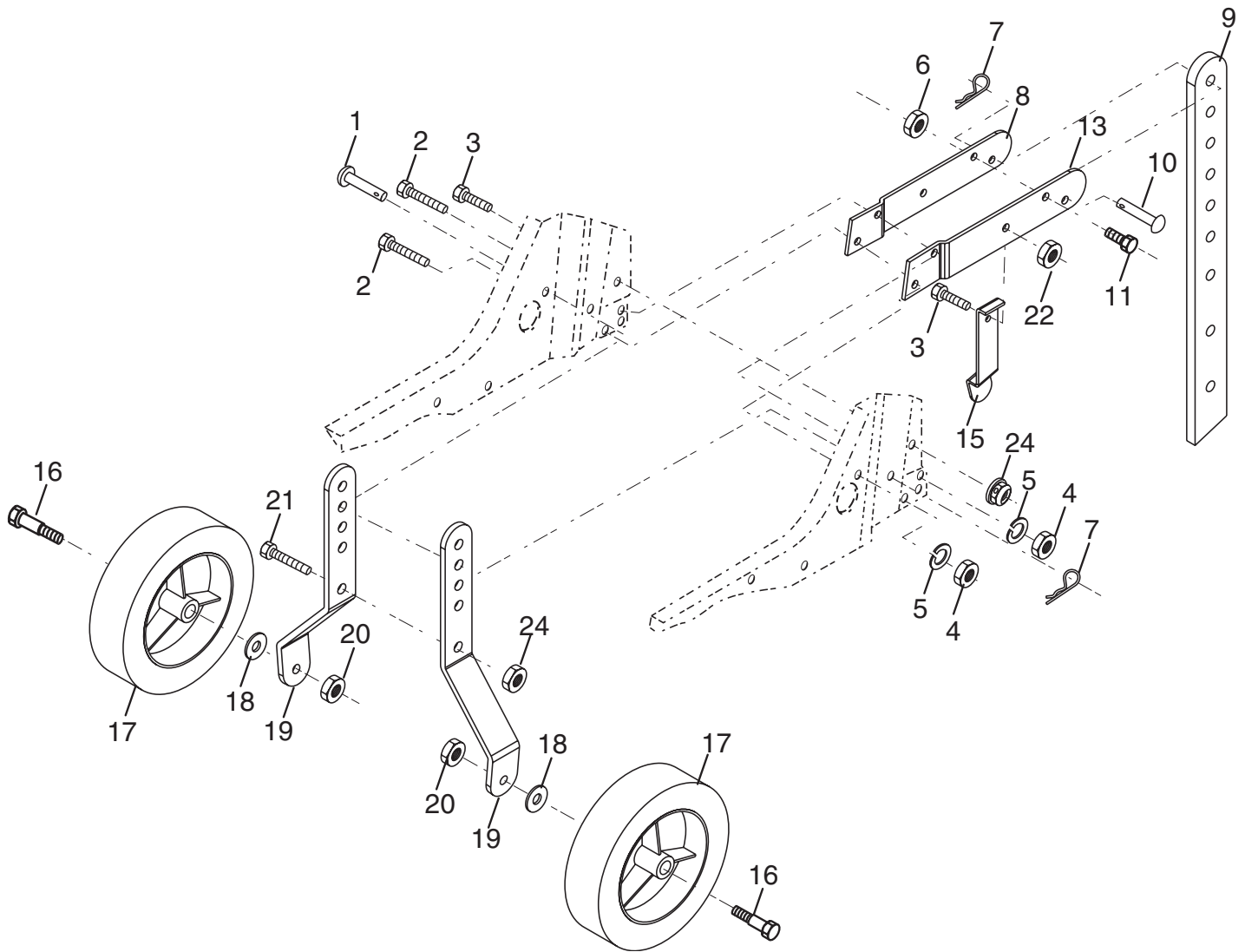


KEY NO.	PART NO.	DESCRIPTION
1	180377	Bracket Assembly, Belt Guard
2	9484R	Clip, Cable
3	86777	Screw, Hex Washer Head, Slotted, Thread Cutting #10-24 x 1/2
4	74610812	Bolt, Hex Head 1/2-20 x 3/4
5	73680600	Locknut, Hex 3/8-16
6	19131316	Washer 13/32 x 13/16 x 16 Gauge
7	2009J	Pulley, Idler, Reverse
8	180323	Reverse Idler Arm Assembly
9	74760628	Bolt, Hex Head 3/8-16 x 1-3/4
10	194630X428	Guard, Belt
11	19091016	Washer 9/32 x 5/8 x 16 Gauge
12	104213X	Nut, Hex, Cap 1/4-20
13	72140406	Bolt, Carriage 1/4-20 x 3/4
14	133035	V-Belt (Forward Motion)
15	2614J	V-Belt (Reverse)
16	12000028	Ring, Retainer
17	2649M	Key, Square
18	151236	Pulley, Flat, Transmission

KEY NO.	PART NO.	DESCRIPTION
19	188502	Bolt, Belt Guard
20	12000036	Ring, Klip
21	73350600	Nut, Hex, Jam 3/8-16
22	161806	Pulley, Idler
23	175377	Arm, Idler
24	74760620	Bolt, Hex Head 3/8-16 x 1-1/4
25	106968X	Shaft, Idler Arm
26	73350500	Nut, Hex, Jam 5/16-18
27	73220400	Nut, Hex 1/4-20
28	10040400	Washer, Lock, HH Spring 1/4
29	109227X	Pad, Idler
30	23200404	Set Screw, Headless, C.P. 1/4-20 x 1/4
31	101189L	Sheave, Engine
32	151223	Pulley, V-Groove, Transmission
41	180307	Spring
42	138909	Spacer

NOTE: All component dimensions are given in U.S. inches. 1 inch = 25.4 mm

FRONT TINE TILLER – MODEL NUMBER FT825 (MFG. ID. NO. 96082000700)
WHEEL AND DEPTH STAKE ASSEMBLY

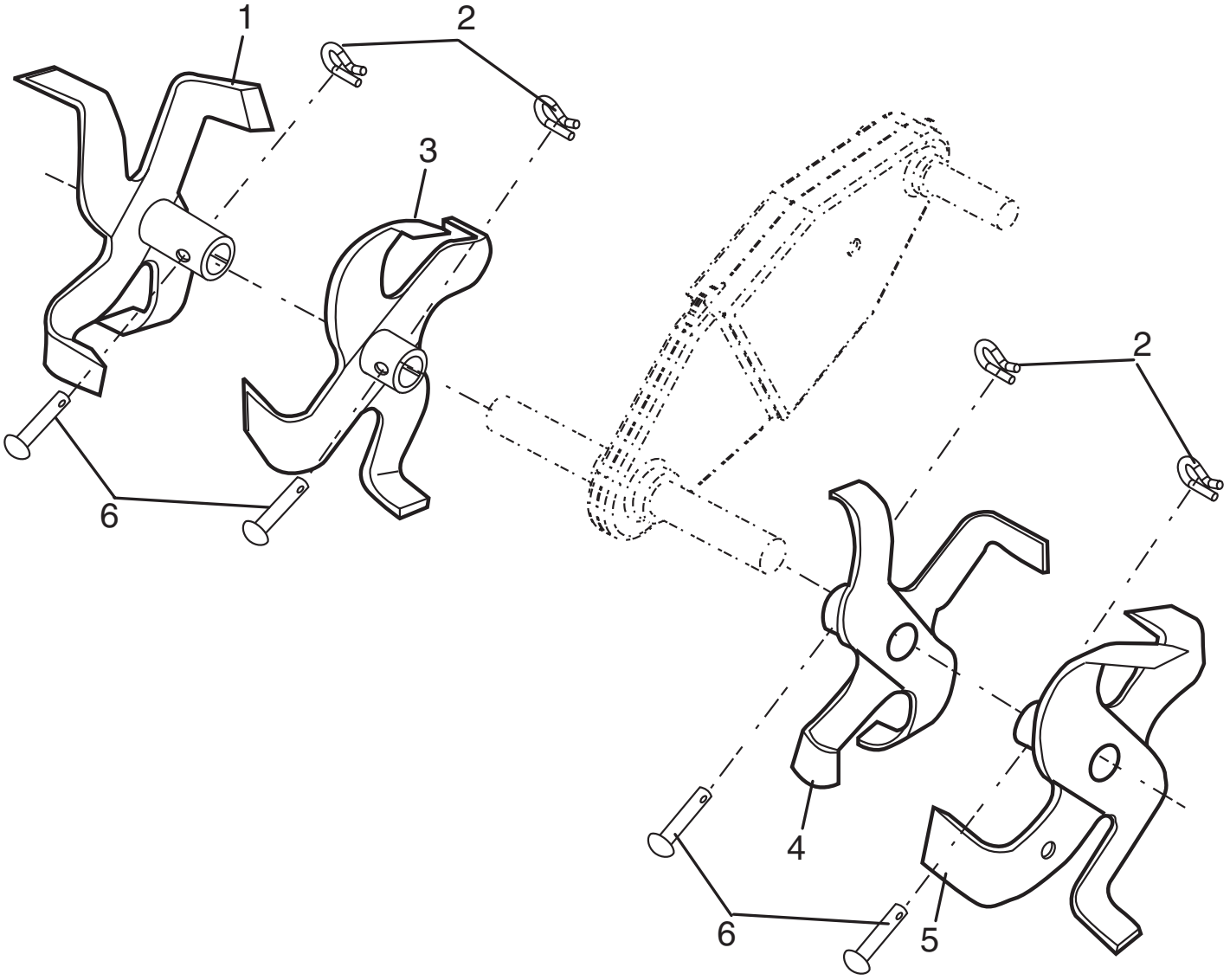


KEY NO.	PART NO.	DESCRIPTION
1	9194R	Pin, Clevis
2	74760520	Bolt, Hex Head 5/16-18 x 1-1/4
3	74760512	Bolt, Hex Head 5/16-18 x 3/4
4	73220500	Nut, Hex 5/16-18
5	10040500	Washer, Lock 5/16
6	73800600	Locknut, Washer Insert 3/8-16
7	4921H	Clip, Hairpin
8	1952J	Support, Depth Stake, R.H.
9	122233X	Stake, Depth
10	326J	Pin, Clevis
11	74780628	Bolt, Hex Head 3/8-16 x 1-3/4
13	1951J	Support, Depth Stake, L.H.

KEY NO.	PART NO.	DESCRIPTION
15	5388J	Spring, Stake
16	121117X	Bolt, Shoulder
17	9188R	Wheel
18	19131311	Washer 13/32 x 13/16 x 11 Gauge
19	9190R	Bracket, Wheel
20	73680600	Nut, Hex, Crownlock 3/8-16
21	74760516	Bolt, Hex Head 5/16-18 x 1
22	73800500	Locknut, Washer Insert 5/16-18
24	73970500	Nut, Hex, Flangelock

NOTE: All component dimensions given in U.S. inches.
 1 inch = 25.4 mm

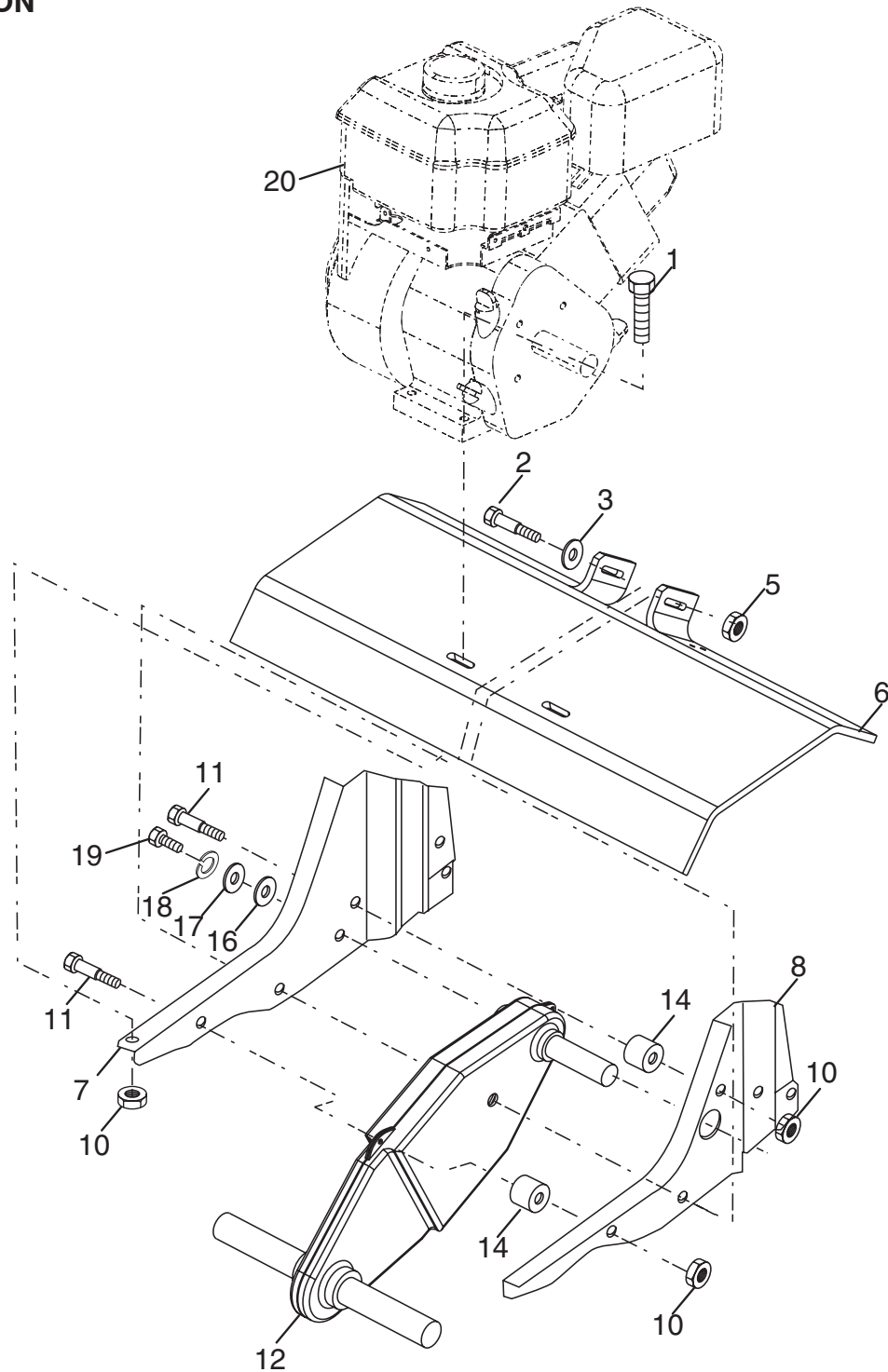
FRONT TINE TILLER – MODEL NUMBER FT825 (MFG. ID. NO. 96082000700)
TINE ASSEMBLY



KEY NO.	PART NO.	DESCRIPTION
1	156934	Tine, Outer, R.H.
2	3146R	Retainer, Spring
3	156932	Tine, Inner, R.H.
4	156931	Tine, Inner, L.H.
5	156933	Tine, Outer, L.H.
6	4929H	Pin, Clevis

FRONT TINE TILLER – MODEL NUMBER FT825 (MFG. ID. NO. 96082000700)

TRANSMISSION

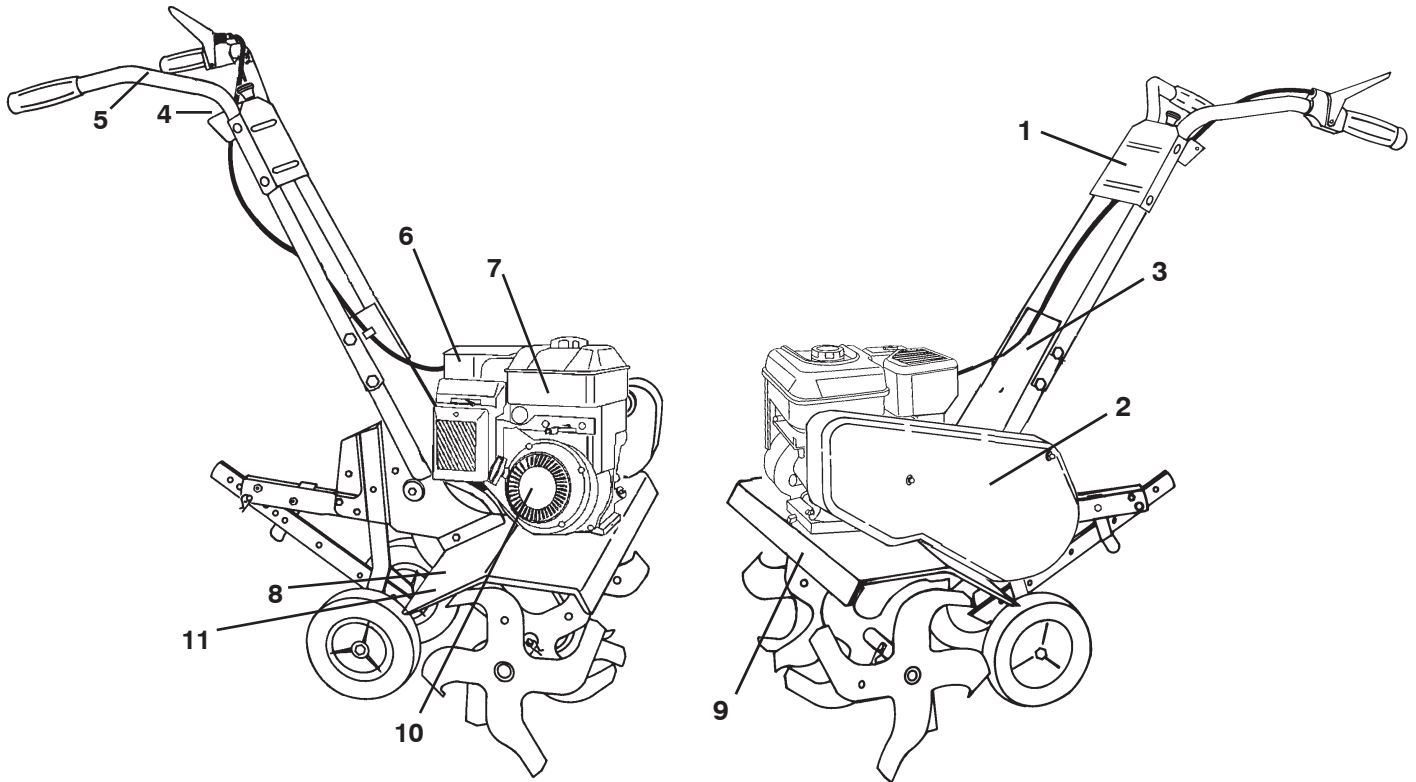


KEY NO.	PART NO.	DESCRIPTION
1	74760524	Bolt, Hex Head, Grade 2 5/16-18 x 1-1/2
2	74780652	Bolt, Hex Head 3/8-16 x 3-1/4
3	19131311	Washer 13/32 x 13/16 x 11
5	73900600	Nut, Hex, Flangelock 3/8-16
6	9057R428	Shield, Tine
7	188195	Bracket, Engine, R.H.
8	165834	Bracket, Engine, L.H.
10	73970500	Nut, Hex, Flangelock
11	187912	Bolt, Shoulder
12	151222	Transmission

KEY NO.	PART NO.	DESCRIPTION
14	9173R	Spacer, Split
16	19091412	Washer 9/32 x 7/8 x 12 Gauge
17	19092016	Washer 9/32 x 1-1/4 x 16 Gauge
18	10040400	Washer, Lock 1/4
19	74610412	Bolt, Hex Head, Grade 5 1/4-28 x 3/4
20	---	Engine, Briggs & Stratton, Model Number 126302 (Order parts from engine manufacturer)

NOTE: All component dimensions given in U.S. inches.
1 inch = 25.4 mm

FRONT TINE TILLER – MODEL NUMBER FT825 (MFG. ID. NO. 96082000700)
DECALS



KEY NO.	PART NO.	DESCRIPTION
1	157377	Decal, Poulan
2	413218	Decal, Poulan, 825 Series / 26"
3	157378	Decal, Forward and Reverse
4	121753X	Decal, Reverse, Tine Control
5	110614	Decal, Hand Placement
6	409138	Decal, Engine
7	409137	Decal, OHV, I/C
8	162384	Decal, Warning
9	157381	Decal, Heavy Duty
10	411816	Decal, Rewind Starter
11	120076X	Decal, Warning, Rotating Tines
--	413288	Manual, Operator's, English / French
--	413157	Manual, Repair Parts

Poulan

PARTS AND SERVICE

This product has been expertly engineered and carefully manufactured to rigid quality standards. As with all mechanical products, some adjustments or part replacement may be necessary during the life of your unit.

For Parts and service, contact our authorized distributor: call 1-800-849-1297

- For replacement parts, have available the following information:
 - a. Model Number/Manufacturer's I.D. Number
 - b. Description of part.

For Technical Assistance: call 1-800-829-5886

For a Parts Manual, go to our website: www.poulan.com/support.asp

NOTE: HOP provides parts and service through its authorized distributors and dealers; therefore, all requests for parts and service should be directed to your local dealer(s). The philosophy of HOP is to continually improve all of its products. If the operating characteristics or the appearance of your product differs from those described in this Manual, please contact your local dealer for updated information and assistance.