

OWNER'S MANUAL
Model Number G462SL
Product No. 960 73 00-24
46 Inch Mower
Grass Catcher

- **Assembly**
- **Operation**
- **Customer Responsibilities**
- **Repair Parts**



SAFETY RULES



Safe Operation Practices for Ride-On Mowers

IMPORTANT: THIS CUTTING MACHINE IS CAPABLE OF AMPUTATING HANDS AND FEET AND THROWING OBJECTS. FAILURE TO OBSERVE THE FOLLOWING SAFETY INSTRUCTIONS COULD RESULT IN SERIOUS INJURY OR DEATH.



WARNING: In order to prevent accidental starting when setting up, transporting, adjusting or making repairs, always disconnect spark plug wire and place wire where it cannot contact spark plug.



WARNING: Do not coast down a hill in neutral, you may lose control of the tractor.



WARNING: Tow only the attachments that are recommended by and comply with specifications of the manufacturer of your tractor. Use common sense when towing. Operate only at the lowest possible speed when on a slope. Too heavy of a load, while on a slope, is dangerous. Tires can lose traction with the ground and cause you to lose control of your tractor.

I. GENERAL OPERATION

- Read, understand, and follow all instructions on the machine and in the manual before starting.
- Do not put hands or feet near rotating parts or under the machine. Keep clear of the discharge opening at all times.
- Only allow responsible adults, who are familiar with the instructions, to operate the machine.
- Clear the area of objects such as rocks, toys, wire, etc., which could be picked up and thrown by the blades.
- Be sure the area is clear of bystanders before operating. Stop machine if anyone enters the area.
- Never carry passengers.
- Do not mow in reverse unless absolutely necessary. Always look down and behind before and while backing.
- Never direct discharged material toward anyone. Avoid discharging material against a wall or obstruction. Material may ricochet back toward the operator. Stop the blades when crossing gravel surfaces.
- Do not operate machine without the entire grass catcher, discharge guard, or other safety devices in place and working.
- Slow down before turning.
- Never leave a running machine unattended. Always turn off blades, set parking brake, stop engine, and remove keys before dismounting.
- Disengage blades when not mowing. Shut off engine and wait for all parts to come to a complete stop before cleaning the machine, removing the grass catcher, or unclogging the discharge guard.
- Operate machine only in daylight or good artificial light.
- Do not operate the machine while under the influence of alcohol or drugs.
- Watch for traffic when operating near or crossing roadways.
- Use extra care when loading or unloading the machine into a trailer or truck.
- Always wear eye protection when operating machine.

- Data indicates that operators, age 60 years and above, are involved in a large percentage of riding mower-related injuries. These operators should evaluate their ability to operate the riding mower safely enough to protect themselves and others from serious injury.
- Follow the manufacturer's recommendation for wheel weights or counterweights.
- Keep machine free of grass, leaves or other debris build-up which can touch hot exhaust/engine parts and burn. Do not allow the mower deck to plow leaves or other debris which can cause build-up to occur. Clean any oil or fuel spillage before operating or storing the machine. Allow machine to cool before storage.

II. SLOPE OPERATION

Slopes are a major factor related to loss of control and tip-over accidents, which can result in severe injury or death. Operation on all slopes requires extra caution. If you cannot back up the slope or if you feel uneasy on it, do not mow it.

- Mow up and down slopes, not across.
- Watch for holes, ruts, bumps, rocks, or other hidden objects. Uneven terrain could overturn the machine. Tall grass can hide obstacles.
- Choose a low ground speed so that you will not have to stop or shift while on the slope.
- Do not mow on wet grass. Tires may lose traction. Always keep the machine in gear when going down slopes. Do not shift to neutral and coast downhill.
- Avoid starting, stopping, or turning on a slope. If the tires lose traction, disengage the blades and proceed slowly straight down the slope.
- Keep all movement on the slopes slow and gradual. Do not make sudden changes in speed or direction, which could cause the machine to roll over.
- Use extra care while operating machine with grass catchers or other attachments; they can affect the stability of the machine. Do no use on steep slopes.
- Do not try to stabilize the machine by putting your foot on the ground.
- Do not mow near drop-offs, ditches, or embankments. The machine could suddenly roll over if a wheel is over the edge or if the edge caves in.

III. CHILDREN

Tragic accidents can occur if the operator is not alert to the presence of children. Children are often attracted to the machine and the mowing activity. *Never* assume that children will remain where you last saw them.

- Keep children out of the mowing area and in the watchful care of a responsible adult other than the operator.
- Be alert and turn machine off if a child enters the area.
- Before and while backing, look behind and down for small children.
- Never carry children, even with the blades shut off. They may fall off and be seriously injured or interfere with safe machine operation. Children who have been given rides in the past may suddenly appear in the mowing area for another ride and be run over or backed over by the machine.
- Never allow children to operate the machine.
- Use extra care when approaching blind corners, shrubs, trees, or other objects that may block your view of a child.



SAFETY RULES



Safe Operation Practices for Ride-On Mowers

IV. TOWING

- Tow only with a machine that has a hitch designed for towing. Do not attach towed equipment except at the hitch point.
- Follow the manufacturer's recommendation for weight limits for towed equipment and towing on slopes.
- Never allow children or others in or on towed equipment.
- On slopes, the weight of the towed equipment may cause loss of traction and loss of control.
- Travel slowly and allow extra distance to stop.

V. SERVICE

SAFE HANDLING OF GASOLINE

To avoid personal injury or property damage, use extreme care in handling gasoline. Gasoline is extremely flammable and the vapors are explosive.

- Extinguish all cigarettes, cigars, pipes, and other sources of ignition.
- Use only approved gasoline container.
- Never remove gas cap or add fuel with the engine running. Allow engine to cool before refueling.
- Never fuel the machine indoors.
- Never store the machine or fuel container where there is an open flame, spark, or pilot light such as on a water heater or other appliances.
- Never fill containers inside a vehicle or on a truck or trailer bed with plastic liner. Always place containers on the ground away from your vehicle when filling.
- Remove gas-powered equipment from the truck or trailer and refuel it on the ground. If this is not possible, then refuel such equipment with a portable container, rather than from a gasoline dispenser nozzle.
- Keep the nozzle in contact with the rim of the fuel tank or container opening at all times until fueling is complete. Do not use a nozzle lock-open device.
- If fuel is spilled on clothing, change clothing immediately.
- Never overfill fuel tank. Replace gas cap and tighten securely.

GENERAL SERVICE

- Never operate machine in a closed are.
- Keep all nuts and bolts tight to be sure the equipment is in safe working condition.
- Never tamper with safety devices. Check their proper operation regularly.
- Keep machine free of grass, leaves, or other debris build-up. Clean oil or fuel spillage and remove any fuel-soaked debris. Allow machine to cool before storing.
- If you strike a foreign object, stop and inspect the

- machine. Repair, if necessary, before restarting.
- Never make any adjustments or repairs with the engine running.
- Check grass catcher components and the discharge guard frequently and replace with manufacturer's recommended parts, when necessary.
- Mower blades are sharp. Wrap the blade or wear gloves, and use extra caution when servicing them.
- Check brake operation frequently. Adjust and service as required.
- Maintain or replace safety and instruction labels, as necessary.



- Be sure the area is clear of bystanders before operating. Stop machine if anyone enters the area.
- Never carry passengers.
- Do not mow in reverse unless absolutely necessary. Always look down and behind before and while backing.
- Never carry children, even with the blades shut off. They may fall off and be seriously injured or interfere with safe machine operation. Children who have been given rides in the past may suddenly appear in the mowing area for another ride and be run over or backed over by the machine.
- Keep children out of the mowing area and in the watchful care of a responsible adult other than the operator.
- Be alert and turn machine off if a child enters the area.
- Before and while backing, look behind and down for small children.
- Mow up and down slopes (15° Max), not across.
- Be alert and turn machine off if a child enters the area.
- Choose a low ground speed so that you will not have to stop or shift while on the slope.
- Avoid starting, stopping, or turning on a slope. If the tires lose traction, disengage the blades and proceed slowly straight down the slope.
- If machine stops while going uphill, disengage blades, shift into reverse and back down slowly.
- Do not turn on slopes unless necessary, and then, turn slowly and gradually downhill, if possible.

CONGRATULATIONS on your purchase of a new Grass Catcher. It has been designed, engineered and manufactured to give you the best possible dependability and performance.

Should you experience any problems you cannot easily remedy, please contact your nearest authorized service center/department. They have competent, well trained technicians and the proper tools to service or repair this unit.

Please read and retain this manual. The instructions will enable you to assemble and maintain your Grass Catcher properly. Always observe the "SAFETY RULES".

TABLE OF CONTENTS

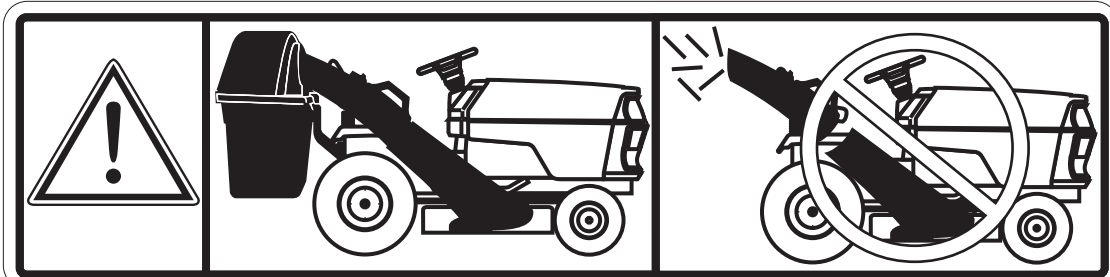
SAFETY RULES	2-3	CUSTOMER RESPONSIBILITIES.....	9
ASSEMBLY	5-8	STORAGE.....	9
OPERATION	8	REPAIR PARTS	Center of Manual

KNOW YOUR GRASS CATCHER

READ THIS OWNER'S MANUAL AND SAFETY RULES BEFORE ASSEMBLING OR OPERATING YOUR GRASS CATCHER. Compare the illustrations with the carton contents to familiarize yourself with the parts before starting the assembly. Study the operating instructions and safety precautions thoroughly to insure proper functioning of your Grass Catcher and to prevent injury to yourself and others. Save this manual for future reference.



The operation of any tractor can result in foreign objects thrown into the eyes, which can result in severe eye damage. Always wear safety glasses or eye shields before starting your tractor and while mowing. We recommend a wide vision safety mask for over the spectacles or standard safety glasses.



COMPLETE BAGGER MUST BE IN PLACE BEFORE OPERATING MOWER

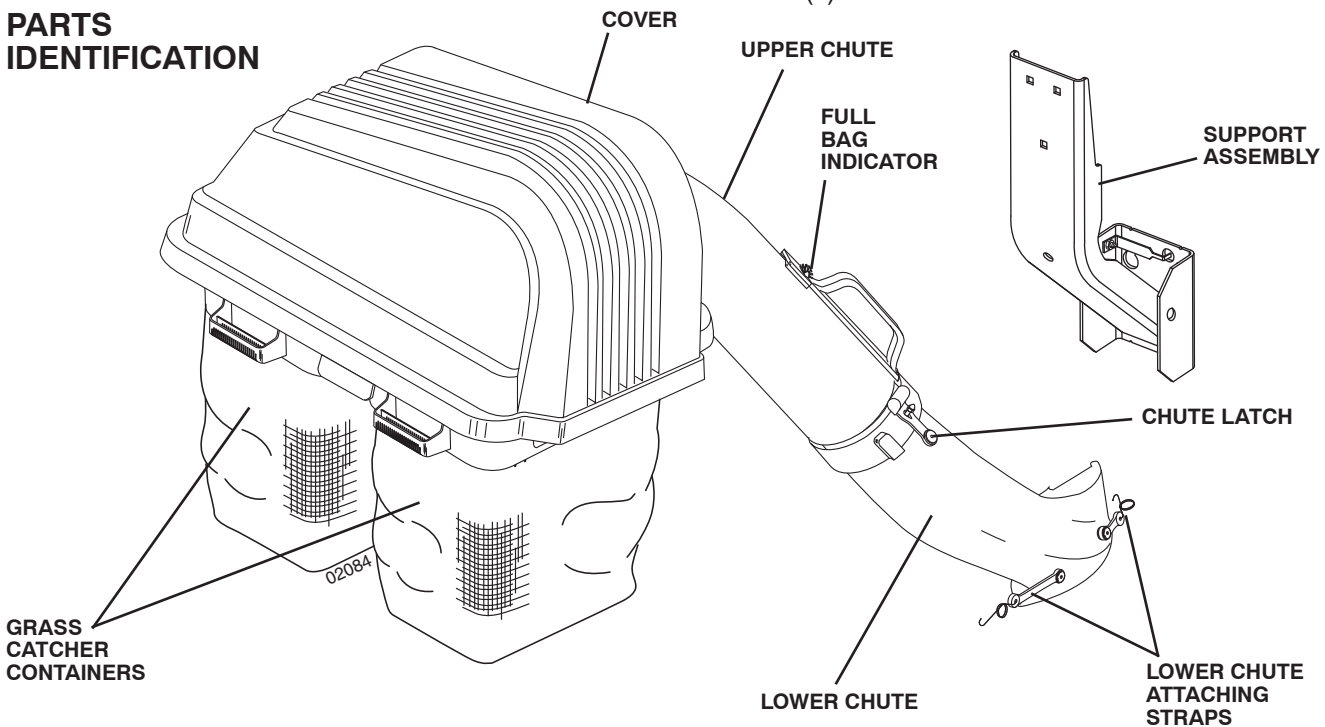
UNPACKING INSTRUCTIONS

- Remove all parts and packing materials from carton.
- Check carton contents against list. Be sure all parts are there.

CARTON CONTENTS:

- | | |
|-----------------|----------------------|
| (2) Containers | (1) Support Assembly |
| (1) Upper Chute | (1) Cover Assembly |
| (1) Lower Chute | |

PARTS IDENTIFICATION



NOTE: When right hand (R.H.) and left hand (L.H.) are mentioned in this manual, it means when you are seated on the tractor, in the operator's position.

CAUTION: BEFORE ASSEMBLING GRASS CATCHER TO TRACTOR:

- Depress clutch/brake pedal fully and set parking brake.
- Place gearshift/motion control lever in "NEUTRAL" position.
- Place attachment clutch in "DISENGAGED" position.
- Turn ignition key "OFF" and remove key.
- Make sure the blade and all moving parts have completely stopped.
- Disconnect spark plug wire from plug and place where it cannot come in contact with plug.



ASSEMBLY

1 REAR MOUNTING BRACKET (See Figs. 1A, 1B & 1C)

NOTE: If your tractor already has four (4) shoulder bolts installed on the rear drawbar, simply hang the mounting bracket, on the bolts. Discard included shoulder bolts and disregard Fig 1B.

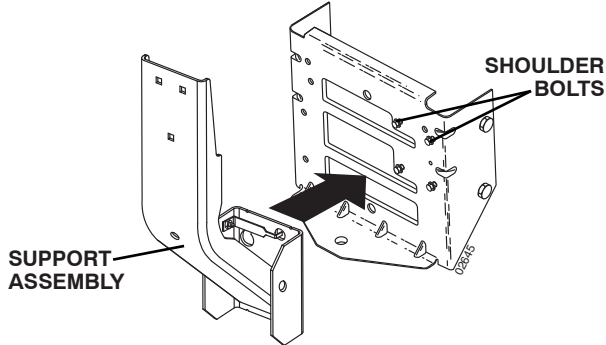


FIG. 1A

If your tractor does not have four (4) shoulder bolts installed on the drawbar, follow the instructions below.

SELF TAPPING SHOULDER BOLTS (See Fig. 1B)

1. Using the four formed holes in the drawbar, install the four shoulder bolts as shown and tighten securely.

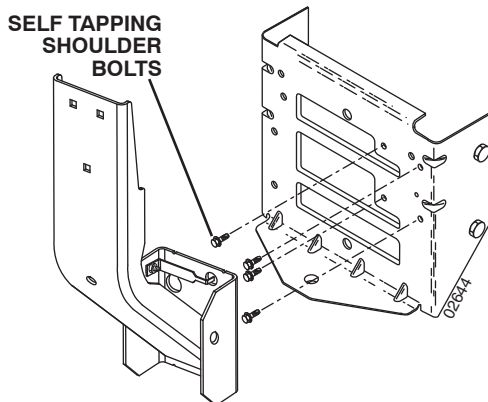


FIG. 1B

TO REMOVE THE SUPPORT ASSEMBLY (See Fig. 1C)

1. Pull outward on the stop bracket enough to allow support assembly to be lifted up and away from drawbar.

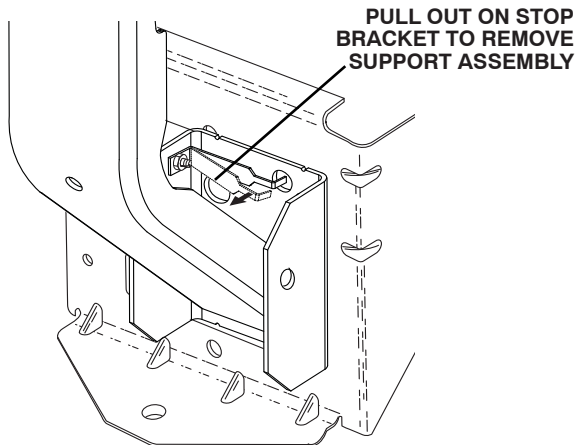


FIG. 1C

2 MOUNTING COVER ASSEMBLY TO SUPPORT ASSEMBLY (See Fig. 2)

NOTE: For ease of assembly, you may wish to obtain the assistance of another person for mounting cover assembly to tractor.

1. Lift and rotate cover to align cover bracket with support assembly.
2. Slide cover assembly down onto the support assembly.

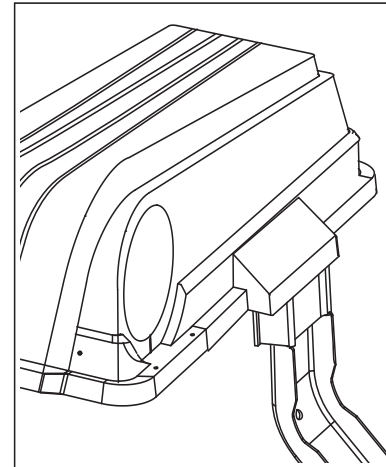
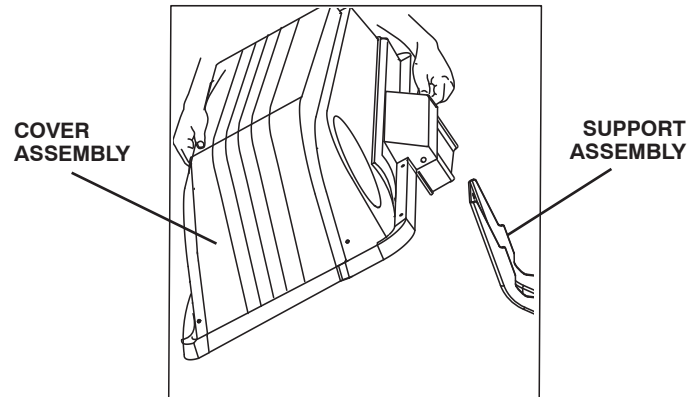


FIG. 2

3 CONTAINER MOUNTING (See Fig. 3)

1. Install one container to left side first. Install other container to right side.

NOTE: Left edge of right container should always overlap right edge of left container at center support.

2. Close cover and lock latch over center support tube. To lock and release latch, pull back on latch handle.

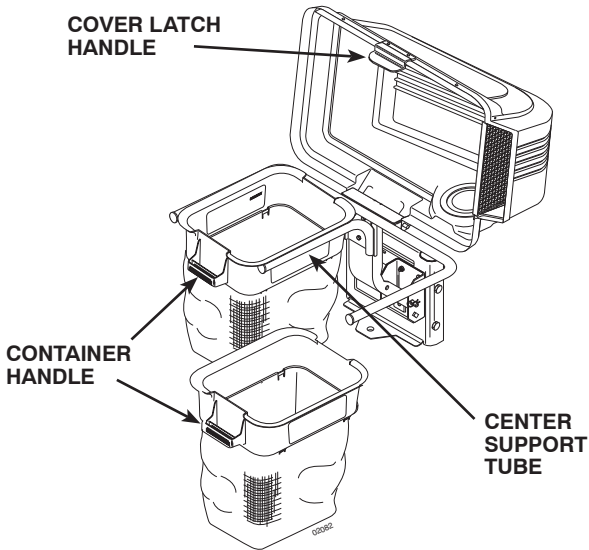


FIG. 3

4 LOWER CHUTE (See Fig. 4)

1. Raise and hold deflector shield in upright position.
2. Place slot in lower chute over mounting tab on mower and position lower chute over mower opening as shown.
3. Hook rear latch into flange hole on back of mower.
4. Hook front latch into tab hole on front of mower.



CAUTION: Do not remove deflector shield from mower. Raise and hold shield when attaching lower chute and allow it to rest on chute while in operation.

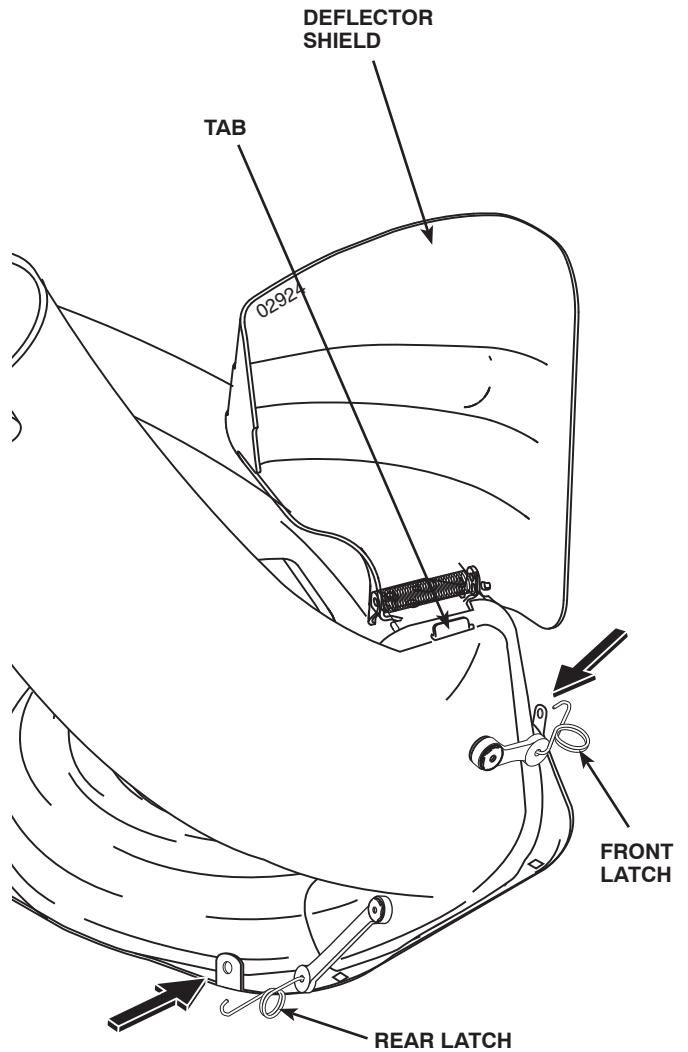


FIG. 4

5 UPPER CHUTE (See Figs. 5A and 5B)

1. Lower mower to its lowest cutting position.
2. Assemble upper chute by inserting curved end into hole in back of cover.

TIP: Holding upper chute as shown and twisting while installing in cover will help keep the rubber seal in place.

NOTE: Handle carefully so as not to damage full bag indicator.

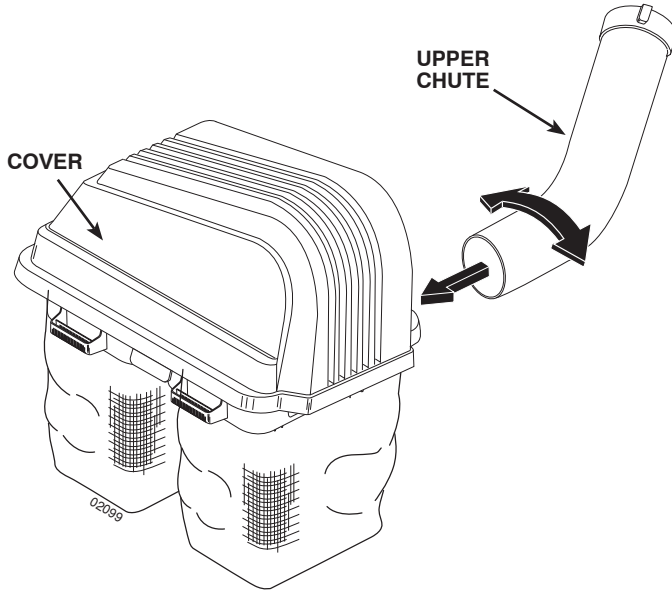


FIG. 5A

3. Push in and turn upper chute until it is in line with lower chute.
4. Align the bosses on lower chute with alignment slots on upper chute and slide together.
5. Secure with rubber latch by hooking hole in latch over latch pin.

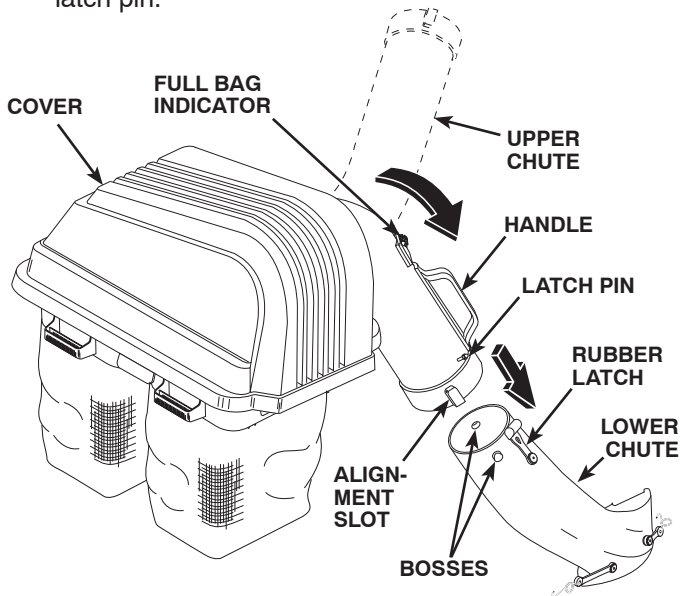


FIG. 5B

6 LEVEL MOWER DECK

Be sure deck is properly leveled for best mower performance. See your tractor's owner's manual for instructions.

OPERATION

TIPS FOR IMPROVED BAGGING OPERATION:

Follow the mower operation instructions in your tractor owner's manual.

When operating your grass catcher on a lawn where grass and leaf bagging equipment has not been used, you are picking up thatch and debris that has accumulated for long periods of time. The amount collected and the total time of operation may be greater than you will experience with regular use of your grass catcher.

- Always run throttle at full speed when bagging.
- Select a gear low enough to give good mower cutting performance, good quality cut and good bagging performance.

NOTE: It may be necessary to overlap width of cut to suit your conditions.

- If grass is extremely tall, it should be mowed twice. The first time relatively high, the second time to desired height.
- Use left hand side of mower for trimming.
- Plastic trash bags can be inserted inside grass catcher containers for ease of debris disposal. To remove the plastic trash bags when full:
 - a. Disengage blades, shift into neutral, engage the parking brake and stop the engine.
 - b. Raise seat. Unlatch and raise cover.
 - c. Remove one container at a time by grasping container handles and pulling toward the rear, off of the tube rails.
 - d. With the container resting on the ground, close and secure the top of the plastic lawn bag.
 - e. Tip the container on its side and slide the filled bag from the container.
 - f. Install a new plastic lawn bag with the edges of the bag draped over upper lip of the container.
 - g. Repeat for other containers.
 - h. Reinstall containers making sure right container overlaps left container at center supports.
 - j. Close cover and secure latches over center support tubes.
- Avoid cutting wet grass or in the morning while the dew is still heavy. Grass clippings collected under these conditions tend to be sticky and adhere to the walls of the flow path causing clogging.

- Your bagger is equipped with a full bagger indicator. Movement of the wheel increases as the bags fill. The wheel will be spinning fastest just before the bags fill completely. When the wheel stops, it indicates that the bags are full and the chutes have become clogged.

NOTE: To help prevent clogging of chutes, check/empty bags when the wheel is spinning fast. Experience will teach you the best time to empty the bags.

Care should be taken not to damage the parts and that the wheel spins freely at the beginning of each use.

- If the grass catcher fails to pick up cut grass or leaves, it is an indication that clogging has occurred in the system or that the grass catcher containers are full. Usually this is indicated by the stopped movement of the full bagger indicator.
 - a. Disengage blades, shift into neutral, engage the parking brake and stop the engine.
 - Raise seat. Unlatch and raise cover.
 - Slide out containers and dispose of clippings .
 - Replace containers, close cover, and latch.
 - b. Unlatch chutes and check for clogging.
 - Remove all debris in chutes.
 - Reassemble and latch chutes
 - c. Check to insure full bagger indicator has not become clogged.
 - The air passage hole must be clear of debris. Gently insert a small twig or wire into passageway to clear.



CAUTION

- **Do not operate mower with grass catcher partially installed.**
- **Disengage blades and stop engine before leaving tractor seat to empty containers, unclogging chutes, etc.**
- **Close cover before starting.**
- **Disengage mower when crossing driveways or gravel surfaces and other areas where thrown objects could be a hazard.**
- **Do not attempt to vacuum up cans or other potentially hazardous projectiles.**

CUSTOMER RESPONSIBILITIES

GENERAL RECOMMENDATIONS

Always observe safety rules when performing any maintenance.

- Before each use check for loose fasteners.
- Clean unit thoroughly after each use.

BLADE CARE

For best results mower blades must be kept sharp. Replace bent or damaged blades.

- See BLADE CARE instructions in your tractor owner's manual.



CAUTION: BEFORE PERFORMING ANY MAINTENANCE, SERVICE OR ADJUSTMENTS:

- Depress clutch brake pedal fully and set parking brake.
- Place gearshift/motion control lever in "NEUTRAL" position.
- Place clutch control in "DISENGAGED" position.
- Turn ignition key to "OFF" position.
- Make sure blades and all moving parts have completely stopped.
- Disconnect spark plug wire(s) from spark plug(s) and place wire where it cannot come in contact with plug.



CAUTION: Grass catcher components are subject to wear, damage and deterioration, which could expose moving parts or allow objects to be thrown. Frequently check components and replace with manufacturer's recommended parts, when necessary.

STORAGE

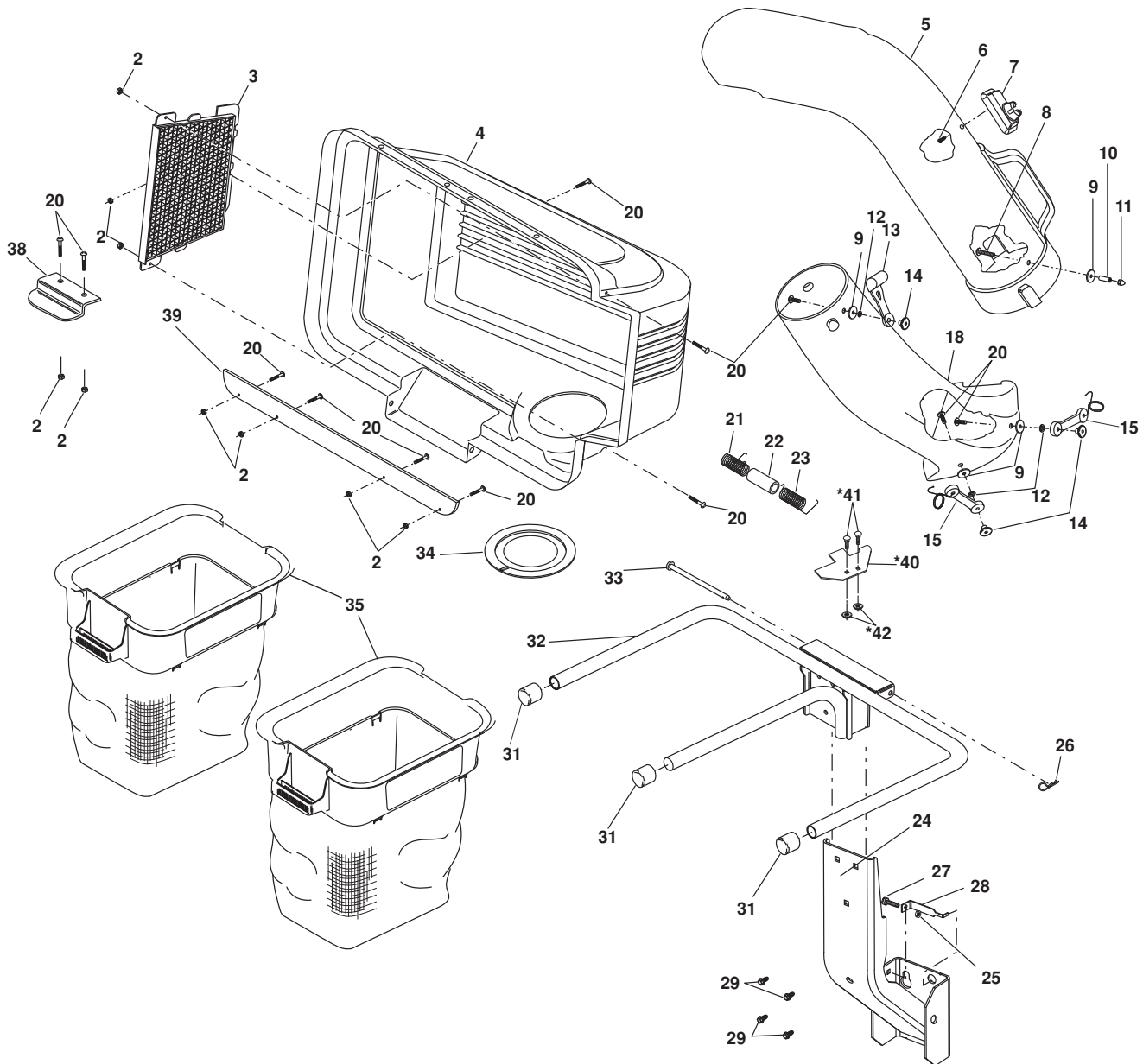
When grass catcher is to be stored for a period of time, clean it thoroughly, remove all dirt, grass, leaves, etc. Store in a clean, dry place.



CAUTION: Do not leave grass in bagger containers. Empty containers after each use and before storing. Failure to do so may result in spontaneous combustion which could develop into a fire.

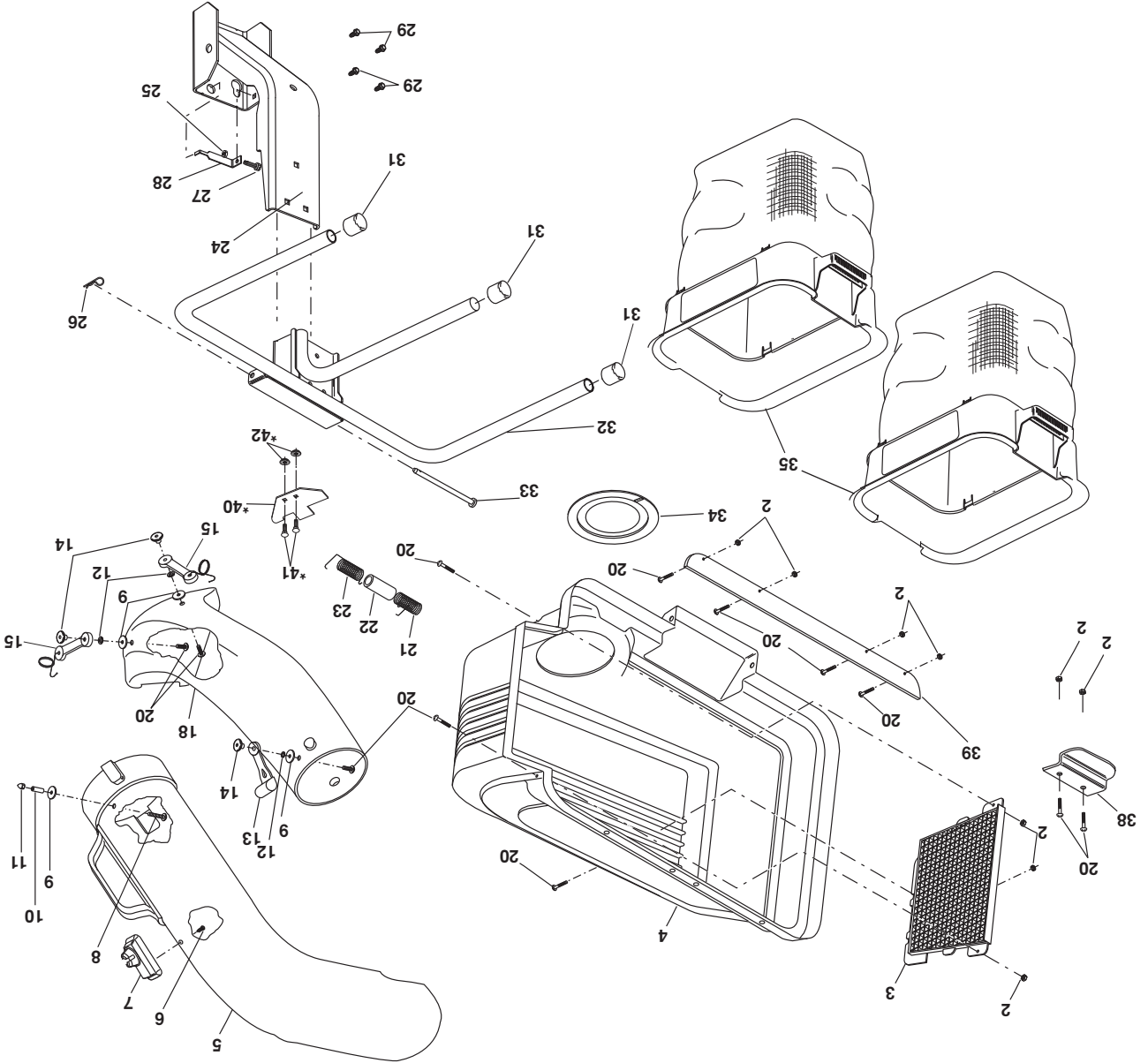
REPAIR PARTS

GRASS CATCHER - MODEL NUMBER G462SL (PRODUCT NO. 960 73 00-24)



KEY NO.	PART NO.	DESCRIPTION	KEY NO.	PART NO.	DESCRIPTION
2	532069180	Nut, Crownlock #10-24	22	532133235	Spacer, Cover
3	532127533	Screen, Cover	23	532132983	Spring, Cover R.H. (gray)
4	532171061	Cover Assembly (Includes 3, 38, 39)	24	532180923	Support Assemble
5	532411397	Chute, Upper	25	873800400	Locknut
6	818021008	Screw, Special #10-14x1/2	26	532124670	Spring, Retainer
7	532130933	Full Bag Indicator	27	872140405	Bolt
8	532087175	Screw, #10-24 x 1-1/8	28	532179745	Bracket, Lock
9	532052784	Washer 3/16x3/4x16 Ga.	29	532170165	Bolt, Shoulder 5/16-18
10	532171345	Spacer, Split	31	532174083	Plug, Tubing End
11	532060867	Nut, Acorn #10-24	32	532179746	Bagger, Frame
12	810071000	Washer, lock	33	532192786	Pin, Hinge
13	532109808	Latch, Chute	34	532127534	Gasket, Cover
14	532125004	Nut, Weld	35	532400226	Container
15	532160793	Latch, Hook	38	532130895	Latch Handle, Cover
18	532405455	Chute, Lower	39	532155042	Strip, Reinforcement
20	871081010	Screw #10-24 x 5/8	--	532425568	Owner's Manual, English/French
21	532132796	Spring, Cover L.H. (black)	--	532425569	Owner's Manual, Spanish

PIÈCES DE REMPLACEMENT - NO. DE MODELE G462SL (NO. DE PRODUIT 960 73 00-24)



NO. NO	DÉ	PIÈCE	DESCRIPTION
2	532069180		Ecroû auto-serrant #10-24
3	53217533		Grillage de couvercle
4	532171061		Couvercle (Y compris 3,38,39)
5	532411397		Glissière supérieure
6	818021008		Vis spéciale #10-14x1/2
7	532130933		Indicateur de sac de déchargement
8	532087175		Vis #10-24 x 1-1/8
9	532052784		Rondelle 3/16x3/4x16 Ja.
10	532171345		Entretoise fendue
11	532060867		\Ecroû borgne #10-24
12	810071000		Rondelle frein
13	532109808		Loquet de glissière
14	532125004		Axe du loquet
15	532160793		Crochet de loquet
18	532405455		Glissière inférieure
20	871081010		Vis #10-24 x 5/8
21	532132796		Ressort de couvercle C.G.
22	532133235		Entretoise de couvercle

10

NO. NO	DÉ	PIÈCE	DESCRIPTION
23	532132983		Ressort de couvercle C.D.
24	532180923		Ensemble du support
25	873800400		Ecroû frein
26	532124670		Ressort de retenue
27	872140405		Boulon
28	532179745		Support frotin
29	532170165		Boulon 5/16-18
31	532174083		Chapeau de l'extrémité de tuyau
32	532179746		Cadre de ramasse-herbe
33	532192786		Goupille de charnière
34	532127534		Garniture de
35	532400226		Conteneur supérieur
38	532130895		Poignée de loquet de couvercle
39	532155042		Bande
--	532425568		Manuel du propriétaire,
--	532425569		Manuel du propriétaire, Français/Anglais
--	532425569		Manuel du propriétaire, Espagnol

RESPONSABILITÉS DU CLIENT

RECOMMANDATIONS GÉNÉRALES

- Observez toujours les règles de sécurité quand vous faites l'entretien.
- Avant chaque utilisation, vérifiez pour les attaches lâches.
- Nettoyez complètement le produit après chaque utilisation.

ATTENTION: AVANT D'EFFECTUER TOUS L'ENTRETIEN, L'INSPECTION, OU RÉGLAGE:



- Appuyez complètement sur la pédale de frein/embrayage et fixez le frein de stationnement.
- Mettez le levier de commande de changement de vitesse/mouvement en position à point mort (N).
- Mettez le levier de commande d'embrayage en la position débrayée (DISENGAGED).
- Tournez la clé de contact en position d'arrêt (OFF).
- Assurez-vous que les lames et toutes les pièces mobiles soient complètement arrêtées.
- Débranchez le(s) fil(s) de bougie d'allumage et posez-le(s) de telle façon qu'il(s) ne puisse pas entrer en contact avec la (les) bougie(s).

SOIN DES LAMES

- Pour obtenir les meilleurs résultats, les lames de tondeuse doivent être conservées tranchantes. Remplacez les lames courbées ou avariées.
- Voyez les instructions du Soins de Lames dans le manuel du propriétaire de votre tracteur.

ATTENTION: Les composants du ramasse-herbe sont fabriqués du matériau très résistant. Cependant, en cas d'usure excessive ou endommagement, remplacez-les immédiatement. Les composants doivent être conformes aux spécifications du fabricant afin d'assurer un bon fonctionnement et la sécurité du produit.



ENTREPOSAGE

Quand le ramasse-herbe doit être entreposé pour une certaine période, nettoyez-le soigneusement. Enlevez toutes les salées, la graisse, les débris de feuille. Entrez dans un espace propre et sec.

ATTENTION: Ne permettez pas de rester de l'herbe coupée dans le ramasse-herbe! Ceci peut causer un danger d'incendie. Videz les conteneurs après chaque usage et avant d'entreposer.



UTILISATION

CONSEILS POUR AMÉLIORER LE RAMASSAGE:

Suivez les instructions de l'utilisation de la tondeuse dans votre manuel du propriétaire de tracteur.

Quand vous utilisez votre ramasse-herbe sur une pelouse ou l'équipement du ramassage d'herbe et de feuille n'a pas été utilisé, vous ramassez le chaume et les débris qui ont accumulé pendant les durées longues. La quantité rassemblée et le temps de l'exploitation peuvent être plus grands que vous éprouverez avec l'utilisation habituelle de votre ramasse-herbe.

- Mettez toujours la commande des gaz à pleine force pendant le ramassage.
- Choisissez une vitesse assez basse qui permettra un rendement, une bonne qualité de coupe ainsi qu'un bon rendement de ramassage.

REMARQUE: Il peut être nécessaire chevaucher la largeur de coupe pour convenir à vos conditions.

- Quand l'herbe est extrêmement longue, elle doit être coupée deux fois; la première fois relativement haute, la deuxième fois à la hauteur désirée.
- Utilisez le côté à gauche de la tondeuse pour rogner. Les sac-poubelles de plastique peuvent être insérés dans les conteneurs du ramasse-herbe pour faciliter la disposition des débris. Pour enlever les sac-poubelles de plastique quand ils sont pleins:

- a. Dégagez les lames, mettez le levier de changement de vitesse au point mort, enclenchez le frein de stationnement et coupez le moteur.

- b. Soulevez le siège. Levez le loquet et soulevez la couverture.

- c. Enlevez un (1) conteneur à une fois en empoignant les poignées de conteneur. Vous le tirez vers l'arrière et glissez-les des tubes.

- d. Posez le conteneur sur la terre puis fermez et fixez le sommet du sac-poubelle.

- e. Basculez le conteneur sur son côté et glissez le sac-poubelle plein hors du conteneur.

- f. Mettez en place un nouveau sac-poubelle avec les bords du sac drapés sur le bord supérieur du conteneur.

- g Répétez les instructions ci-dessus pour l'autre conteneur.

- h. Remettez en place les conteneurs mais faites attention que le conteneur à droite chevauche le conteneur à gauche sur le soutien central.

- j. Fermez le couvercle et fixez le loquet sur le tuyau du soutien central.

- Évitez de tondre le gazon mouillé ou pendant le matin lorsque la rosée est très lourde. L'herbe coupée qui a amassée sous ces conditions a une tendance à coller aux parois et à bloquer le ramasse-herbe.

- Votre ensacheur est équipé d'un indicateur pour vous informer que l'ensacheur est plein. Le mouvement de la roue augmente au fur et à mesure que les sacs se remplissent. Le mouvement de rotation de la roue sera le plus rapide juste avant que les sacs soient complètement remplis. La roue s'arrête lorsque les sacs sont pleins et que les goulottes sont bloquées.

REMARQUE: Afin d'éviter le blocage des chutes, vérifiez/videz les sacs lorsque la roue tourne rapidement. L'expérience vous montrera le temps idéal pour vider les sacs.

Faites attention pour que les pièces ne soient pas avariées et la boue libérale au commencement de chaque utilisation.

- Si le ramasse-herbe cesse de ramasser l'herbe coupée ou les feuilles, il sera une indication d'un blocage dans le système ou que les conteneurs du ramasse-herbe sont pleins. Ceci est indiqué quand l'indicateur de sac plein ne bouge pas.

- a. Dégagez les lames, mettez le levier de changement de vitesse au point mort, enclenchez le frein de stationnement et coupez le moteur.

- b. Soulevez le siège, décliquez et soulevez le couvercle.

- c. Glissez les conteneurs et déposez de l'herbe coupée.

- d. Remettez en place les conteneurs, fermez le couvercle et encliquez le loquet.

- b. Décliquez les glissières et cherchez pour les blocages.

- c. Enlevez tous les débris dans les glissières.

- c. Montez encore et encliquez les glissières.

- c. Vérifiez que l'indicateur de sac plein n'a pas été bloqué.

- c. Le trou du passage d'air doit être libre des débris. Insérez doucement une petite brindille ou un petit fil dans le passage à dégager.



ATTENTION

- N'utilisez pas la tondeuse avec la ramasse-herbe installée partiellement.

- Dégagez les lames et coupez le moteur avant de descendre le siège de tracteur à vider les conteneurs, débarrassez les glissières, etc.

- Fermez le couvercle avant de démarrer le moteur.

- Dégagez la tondeuse lorsque vous traversez des surfaces en gravier ou lorsqu'il y a un danger que des objets pourraient être projetés.

- N'essayez pas de ramasser les bidons ou les autres objets qui pourraient être dangereux.

5 GLISSIÈRE SUPÉRIEURE (Voir Figs. 5A & 5B)

1. Baissez le carter de tondeuse à la position de coupe plus basse.
 2. Montez la glissière supérieure en insérant l'extrémité courbée dans le trou en l'arrière du couvercle.
- TIP:** Tenant la glissière supérieur comme montré et tordant tandis que l'installation dans la couvercle aidera à garder le joint en caoutchouc en place.
- REMARQUE:** Faites attention pour que l'indicateur de sac déchargement ne soit pas avarié.

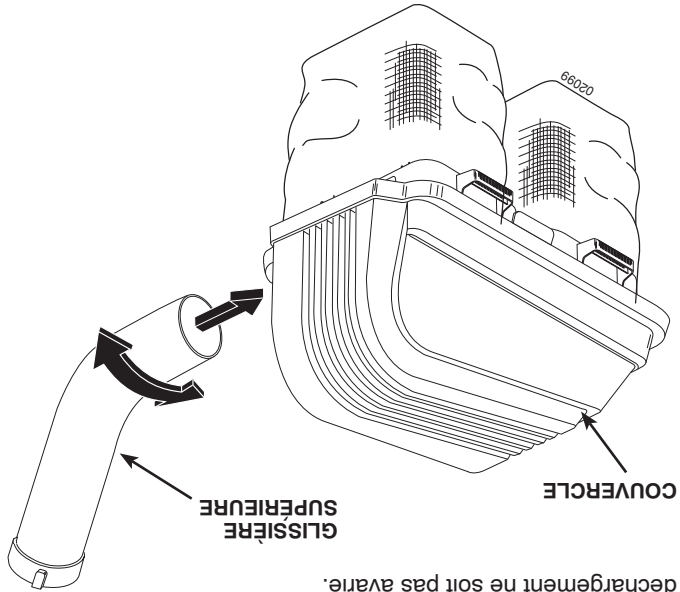


FIG. 5A

3. Intercalez et tournez la glissière supérieure jusqu'à ce qu'elle aligne avec la glissière inférieure.
4. Alignez les bossés sur la glissière inférieure avec les fentes d'alignement et glissez-les ensemble.
5. Fixez avec le loquet de caoutchouc en accrochant le loquet par-dessus de la goupille de loquet.

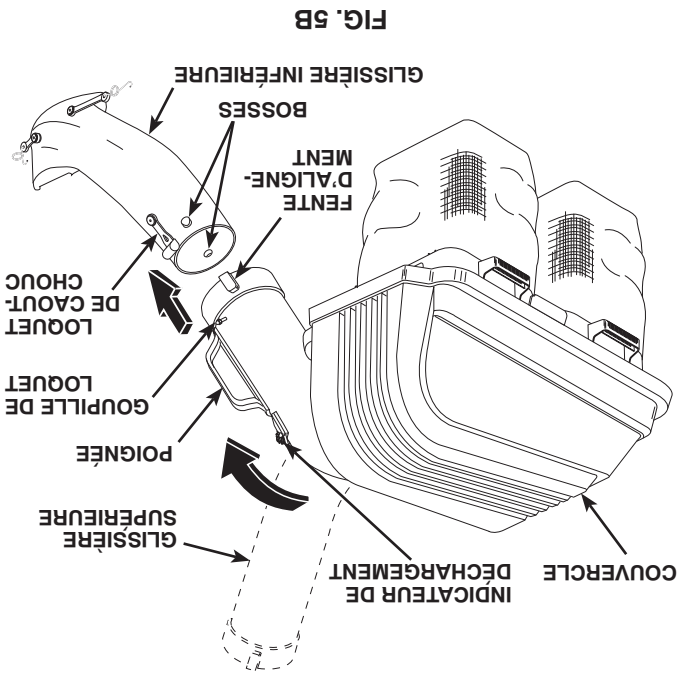


FIG. 5B

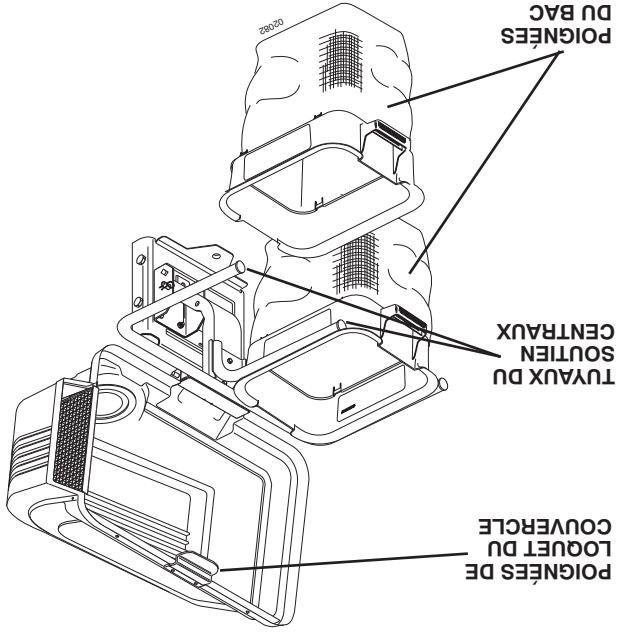
Faites attention que le carter de tondeuse est correctement nivelé pour le meilleur rendement de la tondeuse. Référez-vous au manuel du propriétaire de votre tracteur pour les instructions.

6 NIVELER LE CARTER DE TONDEUSE

3

MONTER LE BAC À GAZON (Voir la Fig. 3)

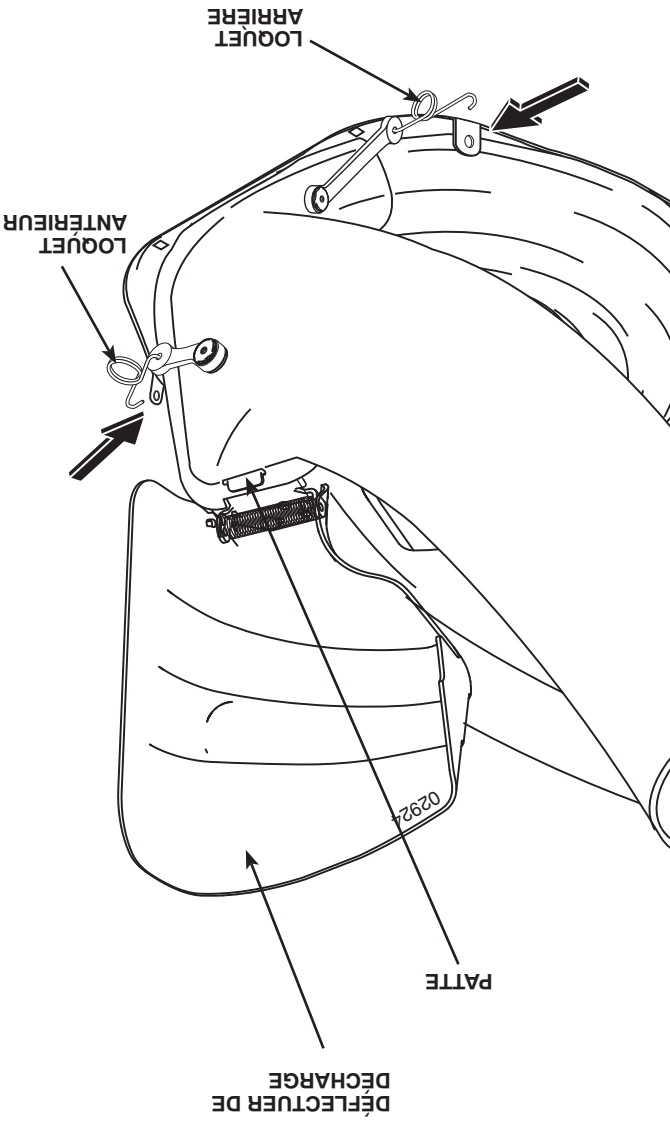
1. Installez d'abord un bac à gazon au centre et le dernier au côté à gauche. droite.
2. **REMARQUE:** Un bac à droite devrait toujours chevaucher le bac à gauche aux soutiens centraux.
2. Fermez le couvercle et verrouillez les poignées de loquet par-dessus des tuyaux de soutien central.



4 GLISSIÈRE INFÉRIEURE (Voir la Fig. 4)

1. Soulevez et tenez le déflecteur de décharge dans la position droite.
2. Placez la fente dans la manche de décharge intérieure au-dessus la patte sur le carter de tondeuse et placez la manche au-dessus de l'ouverture comme montré.
3. Accrochez le loquet arrière dans le trou de patte sur l'arrière du carter de tondeuse.
4. Accrochez le loquet antérieur dans le trou de patte sur le devant du carter de tondeuse.

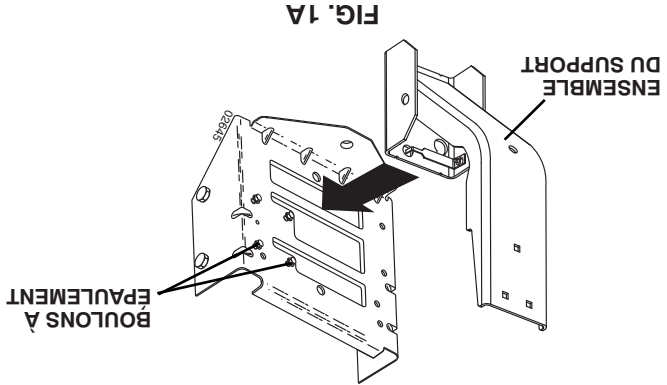
ATTENTION: N'enlevez pas le déflecteur de décharge de la tondeuse. Soulevez et tenez le déflecteur quand vous fixez la glissière intérieure et permettez-le de reposer sur la glissière pendant l'utilisation.



MONTAGE

1 SUPPORT DE MONTAGE ARRIERE (Voir Figs. 1A, 1B et 1C)

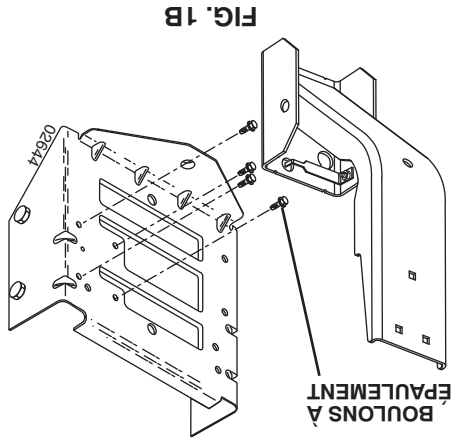
REMARQUE: Si votre tracteur a déjà quatre (4) boulons à épaulement installés sur la barre d'attelage arrière, accrochez simplement le support de montage sur les boulons. Débarassez-vous des boulons à épaulement qui es inclus et ne suivez pas la Fig. 1B.



Si votre tracteur n'a pas quatre (4) boulons épaulement installés sur la barre d'attelage, suivez les instructions ci-dessous.

BOULONS À ÉPAULEMENT (Voir Fig. 1B)

1. Utilisant les quatre (4) trous façonnés sur la barre d'attelage, installez les quatre (4) boulons comme montré et serrez à fond.



POUR ENLEVER L'ASSEMBLAGE DE SOUTIEN (Voir la Fig. 1C)

1. Tirez vers l'extérieur le support d'arrêt pour permettre que l'assemblage de soutien soit soulevé vers en haut et loin de la barre d'attelage.

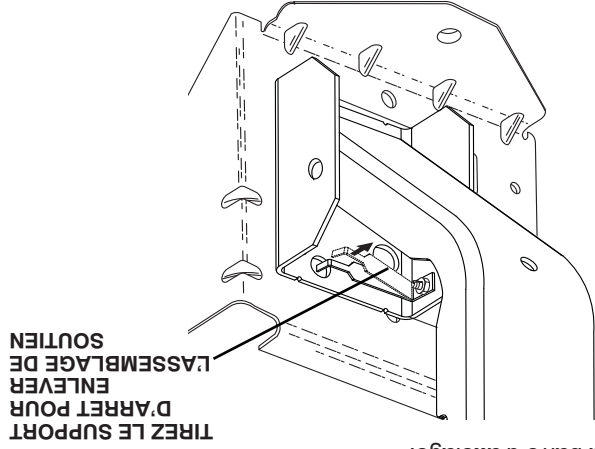


FIG. 1C

2 COMMENT ASSEMBLER L'ENSEMBLE DE COUVERCLE A L'ENSEMBLE DU SUPPORT (Voir Fig. 2)

REMARQUE: Pour faciliter l'assemblage du couvercle au tracteur, il est conseillé de demander l'aide d'une autre personne.

1. Soulevez et tournez le couvercle pour aligner le support du couvercle avec de l'ensemble du support.

2. Glissez l'ensemble du couvercle vers le bas sur de support.

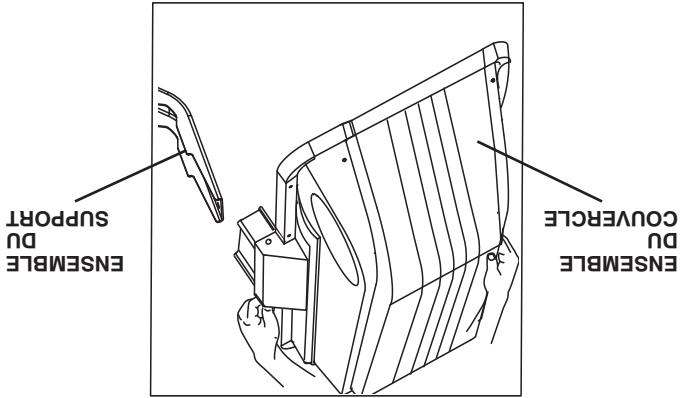
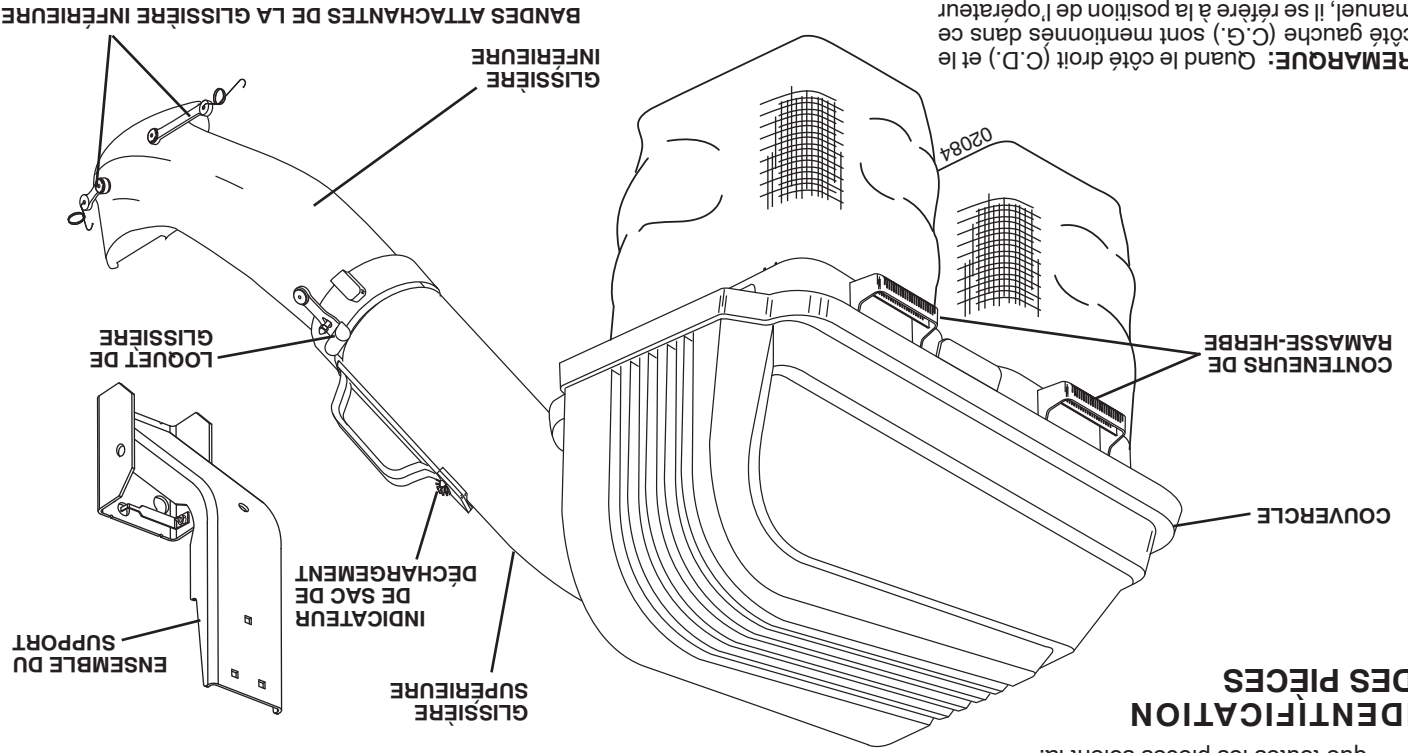


FIG. 2

- ATTENTION: AVANT DE MONTER LE RAMASSE-HERBE AU TRACTEUR:**
- Appuyez sur la pédale de frein/embrayage et engagez le frein de stationnement.
 - Mettez le levier de changement de vitesse/commande de mouvement dans la position de point mort "N".
 - Mettez l'embrayage d'accessoire dans la position de débrayée "DISENGAGED".
 - Tournez la clé de contact dans la position d'arrêt et enlevez la clé.
 - Faites attention que la lame et toutes les pièces mobiles ont complètement arrêté.
 - Débranchez le fil de bougie d'allumage de la bougie et mettez le fil où il ne peut pas toucher la bougie.



REMARQUE: Quand le côté droit (C.D.) et le côté gauche (C.G.) sont mentionnés dans ce manuel, il se réfère à la position de l'opérateur sur le siège du tracteur.



IDENTIFICATION DES PIÈCES

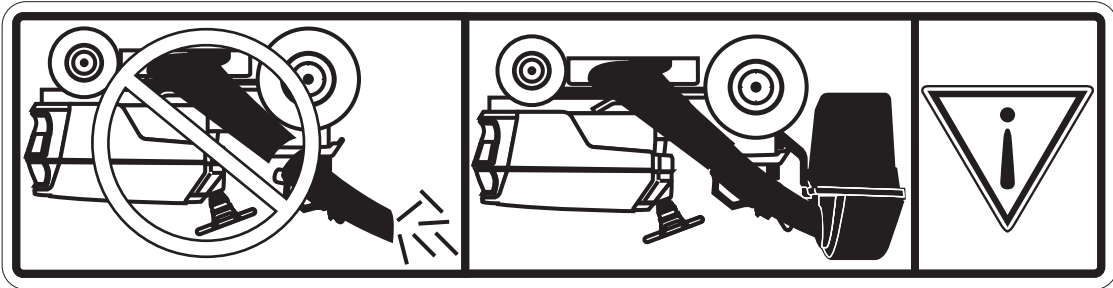
- Enlevez tous les matériaux d'emballage et les pièces du carton.
- Vérifiez le contenu de carton contre le tableau. Assurez-vous que toutes les pièces soient là.

INSTRUCTIONS DE DÉBALLAGE

LE SAC DOIT ÊTRE COMPLÈTEMENT EN PLACE AVANT D'UTILISER LA TONDEUSE

CONTENU DU CARTON:

- (2) Conteneurs
- (1) Glissière supérieure
- (1) Glissière inférieure
- (1) Ensemble du support
- (1) Sac des pièces



L'utilisation de tout tracteur peut jeter les objets étrangers dans les yeux qui peut aboutir au dommage sévère pour les yeux. Portez toujours les lunettes de sécurité ou les lunettes de protection avant de démarrer votre tracteur et lors de l'utilisation. Nous recommandons une visière de sécurité panoramique pour ceux qui portent des verres correctives ou des lunettes de sécurité standard.

LISEZ CE MANUEL DU PROPRIÉTAIRE ET LES RÈGLES DE SÉCURITÉ AVANT DE MONTER OU UTILISER VOTRE RAMASSE-HERBE. Comparez les illustrations avec le contenu du carton pour se mettre au courant de commencer le montage. Étudiez complètement les instructions d'utilisation et les précautions de sécurité d'assurer le bon fonctionnement de votre ramasse-herbe et d'éviter les blessures à vous-même et aux autres. Conservez ce manuel pour la référence d'avenir.

CONNAISSEZ VOTRE RAMASSE-HERBE

RÈGLES DE SÉCURITÉ

Conseils pour l'utilisation en toute sécurité des tracteurs



IV. REMORQUAGE

- Ne remorquez qu'avec un véhicule conçu pour l'attelage.
- N'accrochez l'appareil remorqué qu'au crochet d'attelage.
- Suivez les recommandations du fabricant quant aux limites de poids des appareils remorqués et au remorquage dans les pentes.
- Ne laissez jamais les enfants ou d'autres personnes à bord des appareils remorqués.
- Dans les pentes, le poids de l'appareil remorqué risque de provoquer une perte de traction ou de contrôle.
- Circulez lentement en maintenant les distances pour vous arrêter.

V. ENTRETIEN

MANIPULATION SÛRE DE L'ESSENCE
Manipulez l'essence avec une prudence extrême afin d'éviter les blessures personnelles et les dégâts matériels. L'essence est extrêmement inflammable et les vapeurs sont explosives. Éteignez les cigarettes, les cigares, les pipes et toutes les autres sources d'inflammation.

- N'utilisez que des récipients d'essence homologués.
- Il est strictement interdit d'ôter le capuchon du carburant ou d'ajouter du carburant lorsque le moteur est en marche.
- Laissez le moteur refroidir avant de faire le plein.
- Ne faites jamais le plein à l'intérieur.
- Ne rangez jamais la machine ou le récipient du carburant dans un endroit en présence d'une flamme libre, d'étincelles ou d'autres appareils.
- Ne remplissez jamais les récipients dans un véhicule ou un camion ou remorqué ayant un revêtement en plastique. Placez toujours les récipients au sol, loin du véhicule, avant de les remplir.
- Déchargez les appareils à essence du camion ou de la remorque et faites le plein au sol. Si cela est impossible, faites le plein avec un récipient portable plutôt qu'avec une pompe.
- Laissez la buse au contact du bord du réservoir d'essence ou de l'ouverture du récipient jusqu'à la fin de l'opération de remplissage. N'utilisez pas de dispositif de verrouillage de la buse ouverte.
- Si du carburant tombe sur vos vêtements, changez-les immédiatement.
- Ne faites jamais déborder le réservoir. Remettez le capuchon de gaz en place et serrez solidement.

ENTRETIEN GÉNÉRAL

- Ne faites jamais fonctionner la machine dans un endroit clos.
- Tous les écrous et les boulons doivent être bien serrés pour que l'appareil fonctionne en condition de sécurité.
- Ne brosiez jamais les dispositifs de sécurité. Vérifiez régulièrement leur bon fonctionnement.
- Libérez la machine des brins d'herbe, des feuilles ou autres débris accumulés susceptibles de toucher le tuyau d'échappement ou les parties chaudes du moteur et de brûler. Nettoyez l'huile ou le carburant versés et éliminez les débris imbibés de carburant.
- Laissez la machine refroidir avant de la ranger.

- Si vous heurtez un objet, arrêtez et inspectez la machine. Réparez-la au besoin avant de redémarrer.
- N'effectuez jamais ni réglages, ni réparations avec le moteur en marche.
- Vérifiez fréquemment les éléments du ramasse-herbe et la protection l'évacuation et remplacez-les avec les pièces recommandées par le fabricant, en cas de besoin.
- Les lames de la tondeuse sont affûtées. Enveloppez les lames ou portez des gants et faites très attention pendant les opérations d'entretien.
- Vérifiez fréquemment le fonctionnement du frein. Effectuez les opérations de réglage et d'entretien requises.
- Conservez et remplacez au besoin les autocollants de sécurité et d'instruction.



- Vérifiez si personne ne stationne dans la zone avant de commencer. Si quelqu'un pénètre dans la zone arrêtez la machine.
- Ne portez jamais de passager.
- Ne tondez pas en marche arrière, sauf en cas de nécessité absolue. Regardez toujours vers le bas et vers l'arrière avant et pendant la marche arrière.
- Ne transportez jamais d'enfant même si les lames ne tournent pas. Ils pourraient tomber et se blesser gravement ou gêner le fonctionnement de la machine. Les enfants qui ont déjà été transportés auparavant risquent de se précipiter dans la zone de tonte pour faire un autre tour et d'être renversés par la machine.
- Les enfants doivent se tenir hors de la zone de tonte et sous la supervision d'un adulte responsable, autre que l'opérateur. Faites très attention et éteignez le moteur si un enfant pénètre dans la zone.
- Regardez toujours s'il n'y a pas d'enfants en bas âge vers le bas et vers l'arrière avant et pendant la marche arrière. Tondez les pentes en montant et en descendant (15° max), jamais transversalement.
- Faites très attention et éteignez le moteur si un enfant pénètre dans la zone.
- Sélectionnez une vitesse so faible afin de ne pas devoir ralentir ou changer de vitesse dans les pentes.
- Évitez d'effectuer les démarrages, arrêts ou virages dans les pentes. Si les pneus n'adhèrent plus, dégagez les lames et procédez lentement vers le bas de la pente.
- Si la machine s'arrête en montée, dégagez les lames, engagez la marche arrière et reculez lentement.
- N'effectuez pas de virage dans les pentes si cela n'est pas strictement nécessaire, et dans ce cas tournez lentement et progressivement dans la descente.

FÉLICITATIONS sur votre achat d'un ramasse-herbe. Il a été conçu, façonné, et fabriqué à vous donner le meilleur fiabilité et le meilleur rendement possible. Si vous auriez les problèmes que vous ne pouvez pas résoudre, veuillez prendre contact le centre d'entretien autorisé le plus proche. Vous y trouverez les techniciens bien qualifiés et les outils appropriés pour la réparation et l'entretien de ce modèle.

Veuillez lire et conserver ce manuel. Les instructions vous pourront monter et entretenir correctement votre ramasse-herbe. Suivez toujours les "Règles de Sécurité".

SOMMAIRE

RÈGLES DE SÉCURITÉ.....	2-3
ENTREPOSAGE.....	5-8
UTILISATION.....	8
PIÈCES DE RECHANGE.....	3
RESPONSABILITÉS DU CLIENT.....	9
Au centre de ce manuel.....	9



RÈGLES DE SÉCURITÉ

Conseils pour l'utilisation en toute sécurité des tracteurs

IMPORTANT: CET TRACTEUR PEUT AMPUTER LES MAINS, LES PIEDS ET PROJETER DES OBJETS. L'OBSERVATION DES RÈGLES DE SÉCURITÉ SUIVANTES PEUT ÊTRE LA CAUSE DE BLESSURES SÉRIEUSES ET MÊMES MORTELLES.



AVERTISSEMENT: Débranchez toujours le fil de bougie d'allumage et pour prévenir les démarrages accidentels, posez-le de telle façon qu'il ne puisse pas entrer en contact avec la bougie d'allumage lors de l'installation, du transport, des ajustements ou des réparations.



AVERTISSEMENT: Ne descendez pas les pentes à point mort, vous pourriez perdre la commande du tracteur.



AVERTISSEMENT: Remorquez seulement les accessoires recommandés par et selon les spécifications du fabricant de votre tracteur. Utilisez votre bon sens pendant que vous remorquez. Opérez seulement avec la vitesse la plus réduite pendant que vous allez sur une pente. Il est dangereux d'avoir un chargement trop lourd pendant que vous opérez sur une pente. Les pneus peuvent détruire la traction avec la terre et vous faire perdre la commande de votre tracteur.



I. FONCTIONNEMENT GÉNÉRAL

- Veuillez lire, comprendre et suivre les instructions que vous trouverez sur la machine et dans le manuel avant de commencer.
- Ne mettez ni vos mains ni vos pieds à proximité des parties tournantes ou sous la machine. Les orifices d'évacuation doivent être toujours libres.
- Seuls les adultes responsables doivent être autorisés à utiliser la machine.
- Débarassez la zone des objets comme les pierres, les jouets, les fils de fer, etc.. susceptibles d'être prélevés et projetés par les lames.
- Vérifiez si personne ne stationne dans la zone avant de commencer. Si quelqu'un pénètre dans la zone arrêtez la machine.
- Ne portez jamais de passager.
- Ne toudez pas en marche arrière, saut en cas de nécessité absolue. Regardez toujours vers le bas et vers l'arrière avant et pendant la marche arrière.
- Ne dirigez jamais le matériau déchargé vers qui que ce soit. Évitez de décharger le matériau contre un mur ou un obstacle. Le matériau risque de rebondir vers l'opérateur. Arrêtez les lames lorsque vous traversez des allées gravillonnées.
- Ne faites pas fonctionner la machine si le ramasse herbe, la protection de l'évacuation ou les autres dispositifs de sécurité ne sont en place et en bon état.
- Ralentissez avant de tourner.
- Ne laissez jamais la machine en marche sans surveillance. Arrêtez toujours les lames, tirez le frein à main, arrêtez le moteur et enlevez les clés avant de descendre.
- Dégagez les lames lorsque vous ne tondez pas. Arrêtez le moteur et attendez que tous les éléments soient complètement arrêtés avant de nettoyer la machine ou d'enlever le ramasse herbe ou de libérer la protection de l'évacuation.
- Ne faites marcher la machine que le jour ou à la lumière artificielle.
- Ne faites pas marcher la machine si vous êtes sous l'influence de l'alcool ou de drogues.
- Faites attention à la circulation si vous opérez à proximité d'une route ou si vous la traversez.
- Faites très attention lorsque vous chargez la machine sur un camion ou une remorque.
- Portez toujours des lunettes de protection lorsque vous utilisez la machine.

III. ENFANTS

- Des accidents tragiques peuvent avoir lieu si l'opérateur ne fait pas très attention en présence d'enfants. Les enfants sont souvent très attirés par la machine et par la tonde. Ne croyez jamais que les enfants restent immobiles à l'endroit où vous venez de les laisser.
- Les enfants doivent se tenir hors de la zone de tonde et sous la supervision d'un adulte responsable, autre que l'opérateur. Faites très attention et éteignez le moteur si un enfant pénètre dans la zone.
- Regardez toujours s'il n'y a pas d'enfants en bas âge vers le bas et vers l'arrière avant et pendant la marche arrière. Ne transportez jamais d'enfant même si les lames ne tournent pas. Ils pourraient tomber et se blesser gravement ou gêner le fonctionnement de la machine. Les enfants qui ont déjà été transportés auparavant risquent de se précipiter dans la zone de tonde pour faire un autre tour et d'être renversés par la machine.
- Ne laissez jamais les enfants utiliser la machine.
- Faites très attention à proximité des angles morts, des arbuttes, des arbres ou d'autres objets susceptibles de cacher un enfant à la vue.

- Veillez à ce que les enfants ne soient pas à proximité de la machine. Les enfants sont souvent très attirés par la machine et par la tonde. Ne croyez jamais que les enfants restent immobiles à l'endroit où vous venez de les laisser.
- Les enfants doivent se tenir hors de la zone de tonde et sous la supervision d'un adulte responsable, autre que l'opérateur. Faites très attention et éteignez le moteur si un enfant pénètre dans la zone.
- Regardez toujours s'il n'y a pas d'enfants en bas âge vers le bas et vers l'arrière avant et pendant la marche arrière. Ne transportez jamais d'enfant même si les lames ne tournent pas. Ils pourraient tomber et se blesser gravement ou gêner le fonctionnement de la machine. Les enfants qui ont déjà été transportés auparavant risquent de se précipiter dans la zone de tonde pour faire un autre tour et d'être renversés par la machine.
- Ne toudez jamais à proximité des ravins, des fossés ou des talus. La machine risque de culbuter à l'improviste par-dessus bord ou de précipiter si le bord s'écroule.
- N'essayez pas de stabiliser la machine en mettant un pied sur les pentes très raides.
- Dans les pentes, n'effectuez que des mouvements lents et progressifs. Ne changez jamais brusquement de vitesse ou de direction afin de ne pas faire culbuter la machine.
- Faites très attention lorsque vous utilisez la machine avec un ramasse herbe ou d'autres accessoires ; ils risquent de nuire à la stabilité de la machine. Ne l'utilisez pas sur les pentes très raides.
- Évitez d'effectuer les démarrages, arrêts ou virages dans les descentes. Si les pneus n'adhèrent plus, dégagez les lames et procédez lentement vers le bas de la pente.
- Laissez toujours la machine embrayée lorsque vous descendez une pente. Ne mettez jamais au point mort dans les descentes.
- Ne toudez pas sur l'herbe humide. Les pneus risquent de mal adhérer.
- Sélectionnez une vitesse sol faible afin de ne pas devoir ralentir ou changer de vitesse dans les pentes.
- Faites attention aux trous, aux ornières, aux bosses ou autres objets cachés. La machine risque de capoter sur les sols inégaux. L'herbe haute peut cacher des obstacles.
- Tondez les pentes en montant et en descendant, jamais transversalement.
- Les pertes sont très souvent à l'origine de pertes de contrôle et de tonneaux, susceptibles de provoquer de graves blessures, même mortelles. Soyez très prudent lorsque vous opérez dans les pentes. Si vous n'êtes pas en mesure d'attraper les pentes ou si vous vous sentez mal à l'aise, ne les tondez pas.

II. FONCTIONNEMENT DANS LES PENTES

- Les statistiques montrent que les accidents provoqués par des tondeuses autotoprotégées sont plus fréquents chez les opérateurs de plus de 60 ans. Ces personnes doivent évaluer leur capacité de conduire une tondeuse en garantissant un niveau de sécurité adéquat à eux-mêmes et aux autres.
- Respectez les recommandations du fabricant au niveau des poids des roues et des contre-poids.
- Libérez la machine des brins d'herbe, des feuilles ou autres débris accumulés susceptibles de toucher le tuyau d'échappement ou les parties chaudes du moteur et de brûler. Ne laissez pas le bas de la tondeuse cisailier des feuilles ou d'autres débris susceptibles de s'accumuler. Nettoyez l'huile et le carburant éventuellement versé avant d'utiliser ou de ranger la machine. Laissez la machine refroidir avant de la ranger.

MANUEL DU PROPRIÉTAIRE
Numéro de Modèle G462SL
Numéro de Produit 960 73 00-24
Tondeuse de 117 cm (46 po.)
Ramasse-Herbe

- Montage
- Utilisation
- Responsabilités du Client
- Pièces de Rechange

