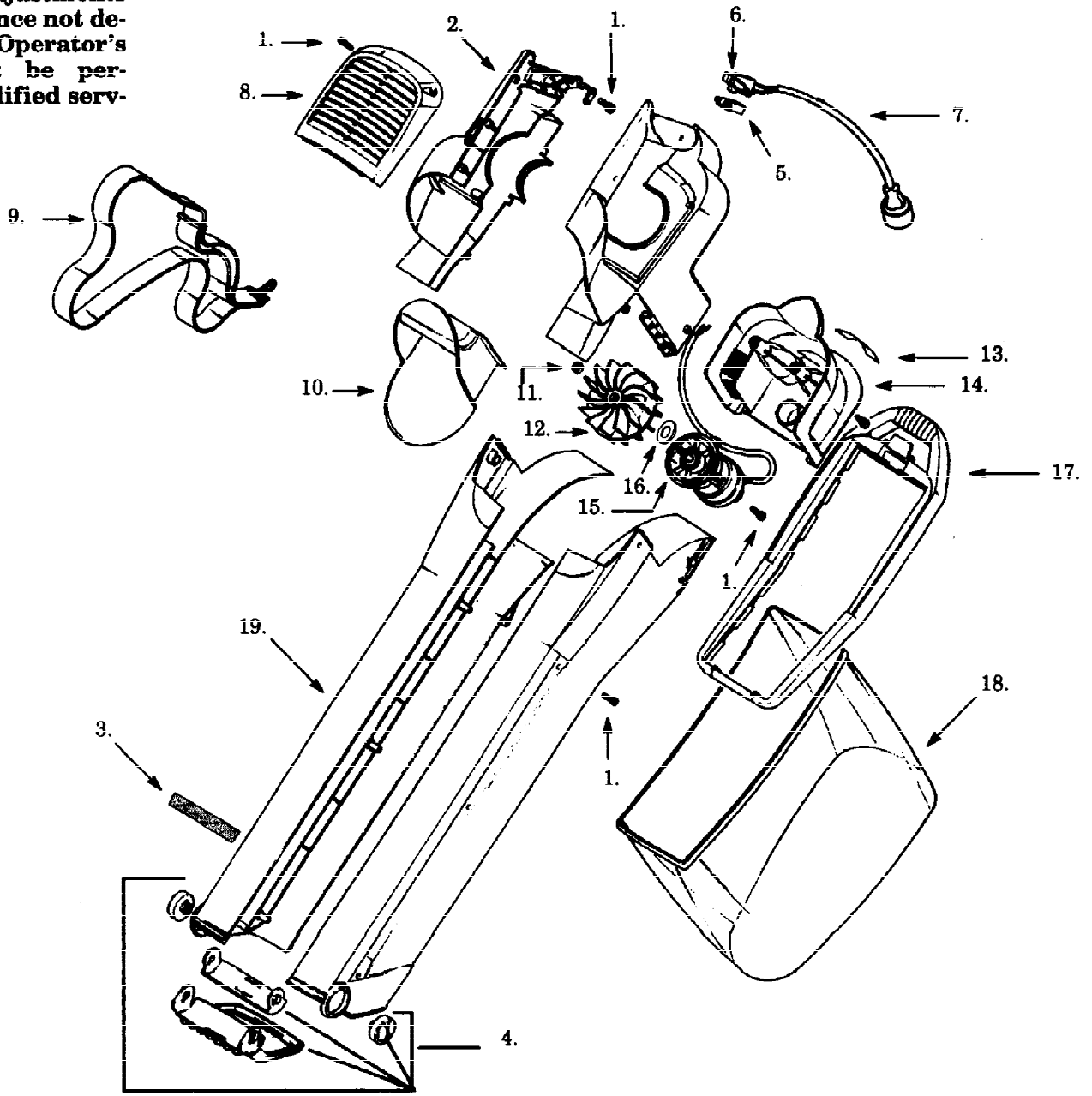


**▲ WARNING**

All repairs, adjustments and maintenance not described in the Operator's Manual must be performed by qualified service personnel.



Ref #	Part Number	Qty	S/P/F	Description
1	514667200	1		Screw
2	514916604	1	S	Motor Hsg.
3	514926900	1		Decal (Not a serviceable part)
4	514927100	1	/P	Kit-Wear Plate (Incl. Wear Plate, Valve & Control Valve Knobs)
5	512730275	1		Switch Actuator
6	513824200	1		Switch
7	530401326	1	/P	Power Cable
8	510660267	1		Grill
9	530037250	1	/P	Strap
10	513829400	1		Handle
11	514910600	1		Nut
12	511774067	1	/P	Impeller
13	513827101	1		Warning Label
14	510655177	1		Motor Cover
15	515003000	1	S	Motor
16	514916400	1		Washer
17	510655267	1		Bag Frame
18	510657300	1		Debris Bag
19	514916504	1		Tubes
	511787501	1		Operator Manual Not Shown.