

REPAIR PARTS MANUAL

MODEL NO. HD4I486C

Lawn Mower

For Parts and Service, contact our authorized distributor: call 1-800-849-1297
For Technical Assistance: call 1-800-829-5886

WEED EATER[®] *VIP*[™]

CONGRATULATIONS on your purchase of a new lawn mower. Your lawn mower has been designed, engineered and manufactured to give you the best possible dependability and performance.

LIMITED WARRANTY

The Manufacturer warrants to the original consumer purchaser that this product as manufactured is free from defects in materials and workmanship. For a period of two (2) years from date of purchase by the original consumer purchaser, we will repair or replace, at our option, without charge for parts or labor incurred in replacing parts, any part which we find to be defective due to materials or workmanship. This Warranty is subject to the following limitations and exclusions.

1. This warranty does not apply to the engine, other than AYP manufactured transaxle/transmission components, battery (except as noted below) or components parts thereof. Please refer to the applicable manufacturer's warranty on these items.
2. Transportation charges for the movement of any power equipment unit or attachment are the responsibility of the purchaser. Transportation charges for any parts submitted for replacement under this warranty must be paid by the purchaser unless such return is requested by American Yard Products.
3. **Battery Warranty:** On products equipped with a Battery, we will replace, without charge to you, any battery which we find to be defective in manufacture, during the first ninety (90) days of ownership. After ninety (90) days, we will exchange the Battery, charging you 1/12 of the price of a new Battery for each full month from the date of the original sale. Battery must be maintained in accordance with the instructions furnished.
4. The Warranty period for any products used for rental or commercial purposes is limited to 45 days from the date of original purchase.
5. This Warranty applies only to products which have been properly assembled, adjusted, operated, and maintained in accordance with the instructions furnished. This Warranty does not apply to any product which has been subjected to alteration, misuse, abuse, improper assembly or installation, delivery damage, or to normal wear of the product.
6. **Exclusions:** Excluded from this Warranty are belts, blades, blade adapters, normal wear, normal adjustments, standard hardware and normal maintenance.
7. In the event you have a claim under this Warranty, you must return the product to an authorized service dealer.

Should you have any unanswered questions concerning this Warranty, please contact:

American Yard Products
Service Department
P.O. Box 1687
Orangeburg, SC 29116 USA

In Canada contact:
American Yard Products
1040 Jayson Court
Mississauga, Ontario
L4W 2V5

giving the model number, serial number and date of purchase of your product and the name and address of the authorized dealer from whom it was purchased.

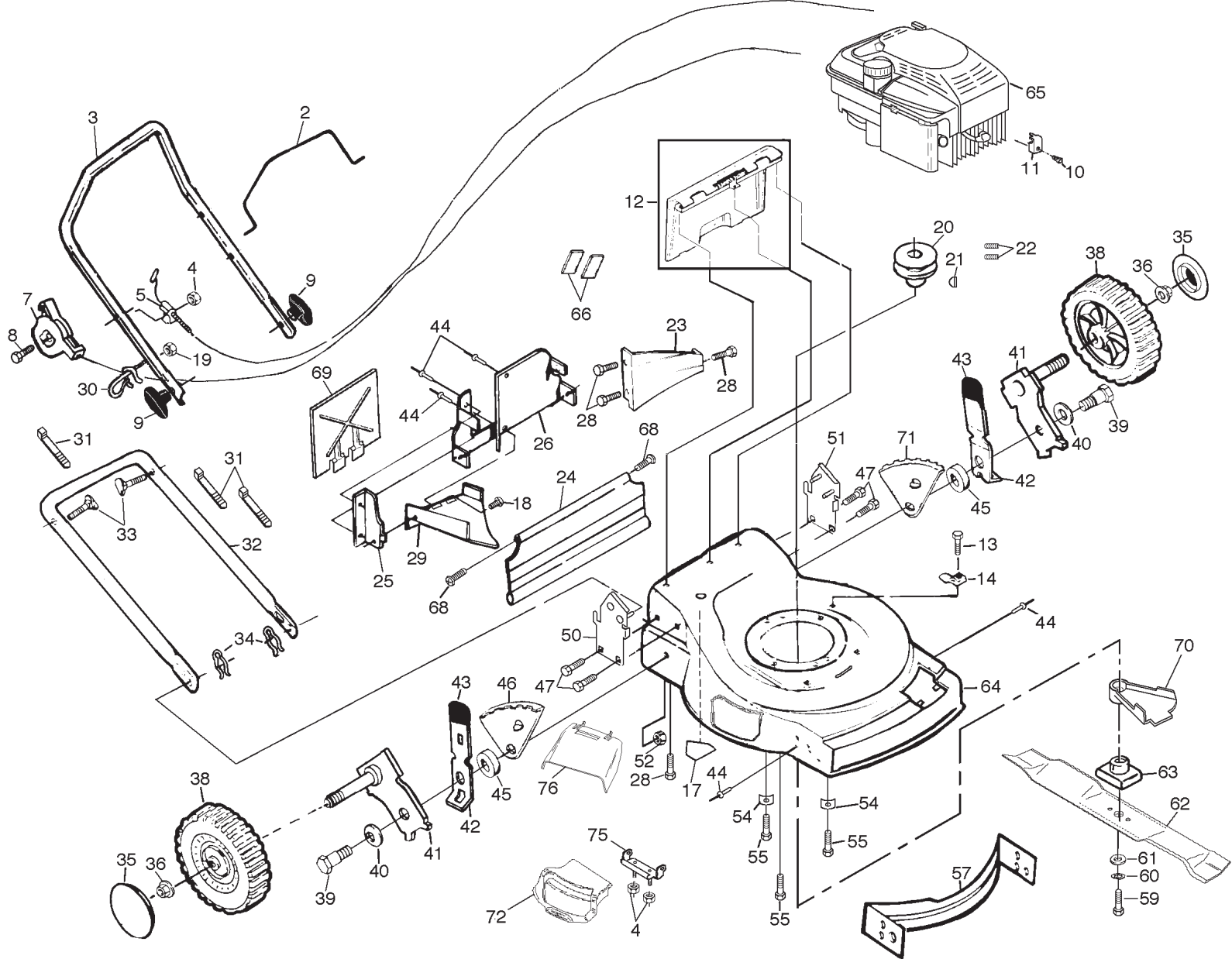
THIS WARRANTY DOES NOT APPLY TO INCIDENTAL OR CONSEQUENTIAL DAMAGES AND ANY IMPLIED WARRANTIES ARE LIMITED TO THE SAME TIME PERIODS STATED HEREIN FOR OUR EXPRESSED WARRANTIES. Some areas do not allow the limitation of consequential damages or limitations of how long an implied Warranty may last, so the above limitations or exclusions may not apply to you. This Warranty gives you specific legal rights, and you may have other rights which vary from locale to locale.

This is a limited Warranty within the meaning of that term as defined in the Magnuson-Moss Act of 1975.

REPAIR PARTS

ROTARY LAWN MOWER - - MODEL NO. HD4I486C

2



REPAIR PARTS

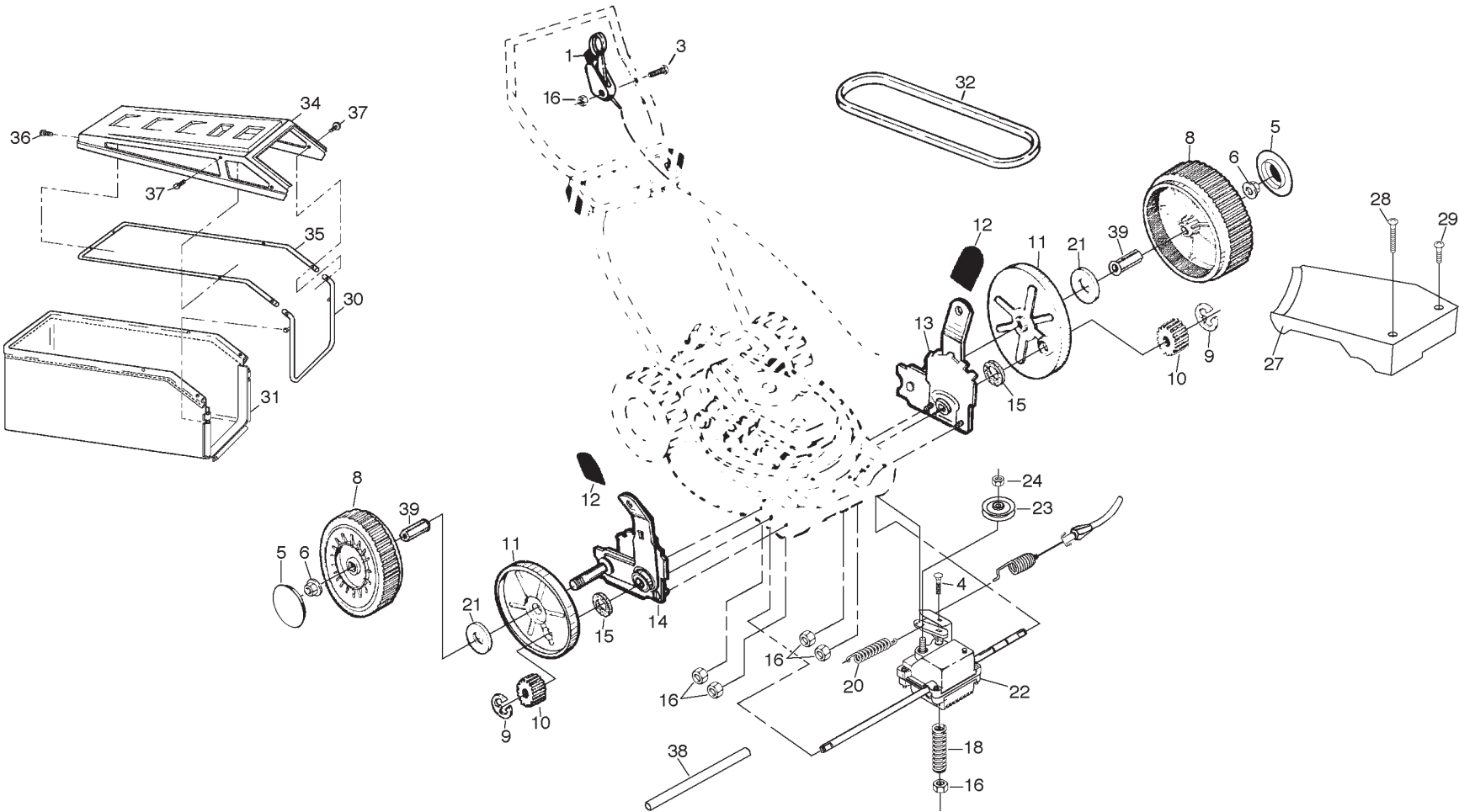
ROTARY LAWN MOWER - - MODEL NO. HD4I486C

KEY NO.	PART NO.	DESCRIPTION	KEY NO.	PART NO.	DESCRIPTION
2	147048	Control Bar	41	145935X004	Axle Arm
3	145640X479	Upper Handle	42	700331X004	Selector Spring
4	63601	Locknut	43	87877	Selector Knob
5	130861	Engine Zone Control Cable	44	128415	Pop Rivet
7	700417	Throttle Control	45	146630	Spacer
8	144929	Hex Washer Hd Screw 1/4-20 x 2-1/8	46	700327X007	Wheel Adjusting Bracket R.R.
9	136376	Handle Knob	47	55187	Self-tapping Screw 5/16-18 x 3/4
10	83816	Screw #10 x 5/8	50	701921X479	Handle Bracket (Right)
11	213146	* Cable Clamp (Engine)	51	701923X479	Handle Bracket (Left)
12	147615	Rear Door Kit	52	751592	Locknut 3/8-16
13	750097	Hex Washer Head Screw #10-24 x 1/2	54	851201X004	Engine Washer
14	87930	Housing Cable Guide	55	850998	Hex Head Thread Rolling Screw 3/8-16 x 1
17	141846	Danger Decal	57	132255X479	Front Baffle
18	86344	Screw	59	851084	Hex Head Machine Screw 3/8-24 x 1-3/8 Gr. 8
19	73510400	Keps Locknut 1/4-20	60	850263	Helical Lock Washer
20	84596	Engine Pulley w/Set Screw	61	851074	Hardened Washer
21	87677	Hi Pro Key #505	62	141114	Blade 22"
22	59708	Set Screw 1/4-20 x 5/16	63	851514	Blade Adapter
23	133040X479	Baffle, Rear	64	148183	Lawn Mower Housing Kit (Includes Key No. 17)
24	140540	Rear Skirt	65	-- -- -- --	* Engine - Briggs & Stratton Model No. 12J802
25	700365X479	Side Baffle	66	129925	Strip Seal
26	700360X479	Back Plate	68	88652	Hinge Screw
28	54583	Screw Hex Head 1/4-20 x 1/2	69	133170X479	Mulcher Plate
29	133190X479	Discharge Baffle	70	134612	Debris Shield
30	132001	Rope Guide	71	700326X007	Wheel Adjusting Bracket L.R.
31	66426	Wire Tie	72	145281	Mulcher Door, combi-clip
32	132813X479	Lower Handle	73	147286	Rod Hinge combi-cut
33	131959	Handle Bolt	74	145286	Spring, Hinge
34	51793	Hairpin Cotter	75	147775	Bracket, Hinge asm w/Fin
35	77400	Hubcap	76	145285	Discharge guard clip-on
36	83923	Flange Locknut	--	145658	Operator's Manual (English)
38	148444	Wheel & Tire Assembly	--	145661	Operator's Manual (Spanish)
39	142748	Shoulder Bolt	--	150316	Repair Parts Manual
40	62335	Belleville Washer			

* These parts must be purchased through an authorized Briggs & Stratton dealer.

REPAIR PARTS

ROTARY LAWN MOWER - - MODEL NO. HD4I486C



REPAIR PARTS

ROTARY LAWN MOWER - - MODEL NO. HD4I486C

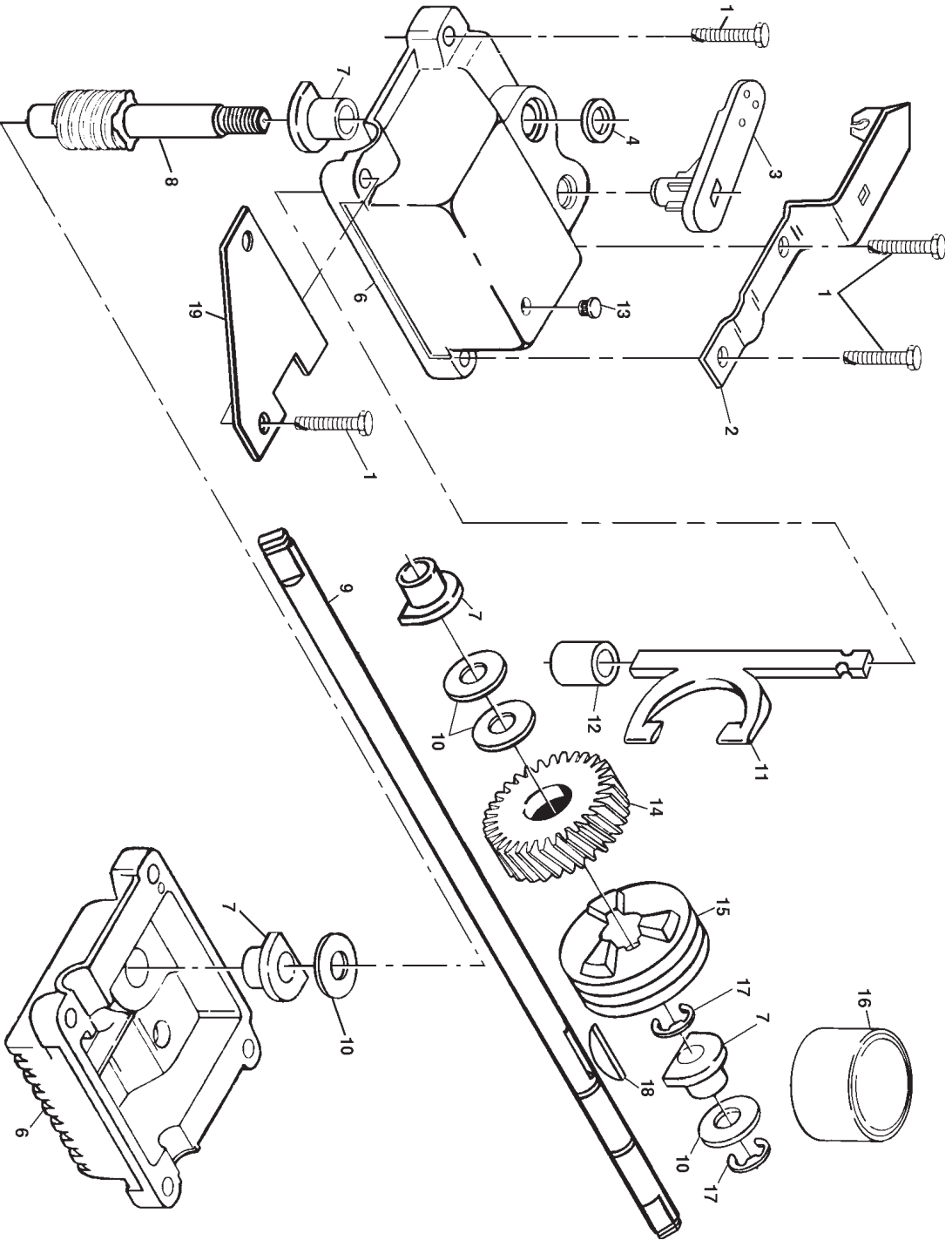
KEY NO.	PART NO.	DESCRIPTION
1	146323	Drive Control
3	144929	Hex Washer Hd Screw #10-24 x 2-1/8
4	700875	Carriage Bolt 1/4-20 x 2
5	77400	Hubcap
6	145212	Flange Locknut
8	701575	Wheel & Tire Assembly
9	12000058	E-ring
10	137054	Pinion
11	88080	Dust Cover
12	87877	Selector Knob
13	148493	Wheel Adjuster Assembly (Left)
14	148492	Wheel Adjuster Assembly (Right)
15	88118	Felt Washer
16	63601	Locknut
18	137090	Spring
20	75192	Spring
21	67725	Washer 1/2 x 1-1/2 x .134

KEY NO.	PART NO.	DESCRIPTION
22	702511	Gear Case Assembly
23	137052	Drive Pulley
24	132010	Locknut
27	137081	Drive Cover
28	87866	Pan Head Tapping Screw #10-24 x 2-3/4
29	136797	Pan Head Tapping Screw #10-24 x 1-3/4
30	851735	Catcher Frame
31	148176	Grass Catcher
32	137078	V-Belt
34	851739	Catcher Top
35	851658	Tube Catcher
36	131029	Screw, Hex Washer #10-24 x .600
37	750634	Screw, Threads Roll #10-24 x 1/2
38	86012	Drive Shaft Cover
39	88446	Wheel Bushing
--	148051	Drive Cover Decal

REPAIR PARTS

ROTARY LAWN MOWER - - MODEL NO. HD41486C

GEAR CASE ASSEMBLY PART NUMBER 702511



KEY NO.	PART NO.	DESCRIPTION
1	17490416	Tapping Screw 1/4-20 x 1-1/4
2	137055X004	Engagement Bracket
3	137053	Shifter
4	57072	Seal
6	48373	Gear Case Halves Kit (Includes Key Nos. 4, 5, and 7)
7	77881	Bearing
8	137051	Worm Shaft
9	137074	Drive Shaft
10	57079	Hardened Washer

KEY NO.	PART NO.	DESCRIPTION
11	131484	Clutch Yoke
12	700343	Bushing
13	86447	Plug
14	137050	Helical Gear
15	750436X	Clutch Jaw
16	750369	Grease
17	12000003	E-Ring
18	850848	Hi-Pro Key
19	81585X004	Spring Bracket

SERVICE NOTES

WEED EATER[®] VIIP[™]