

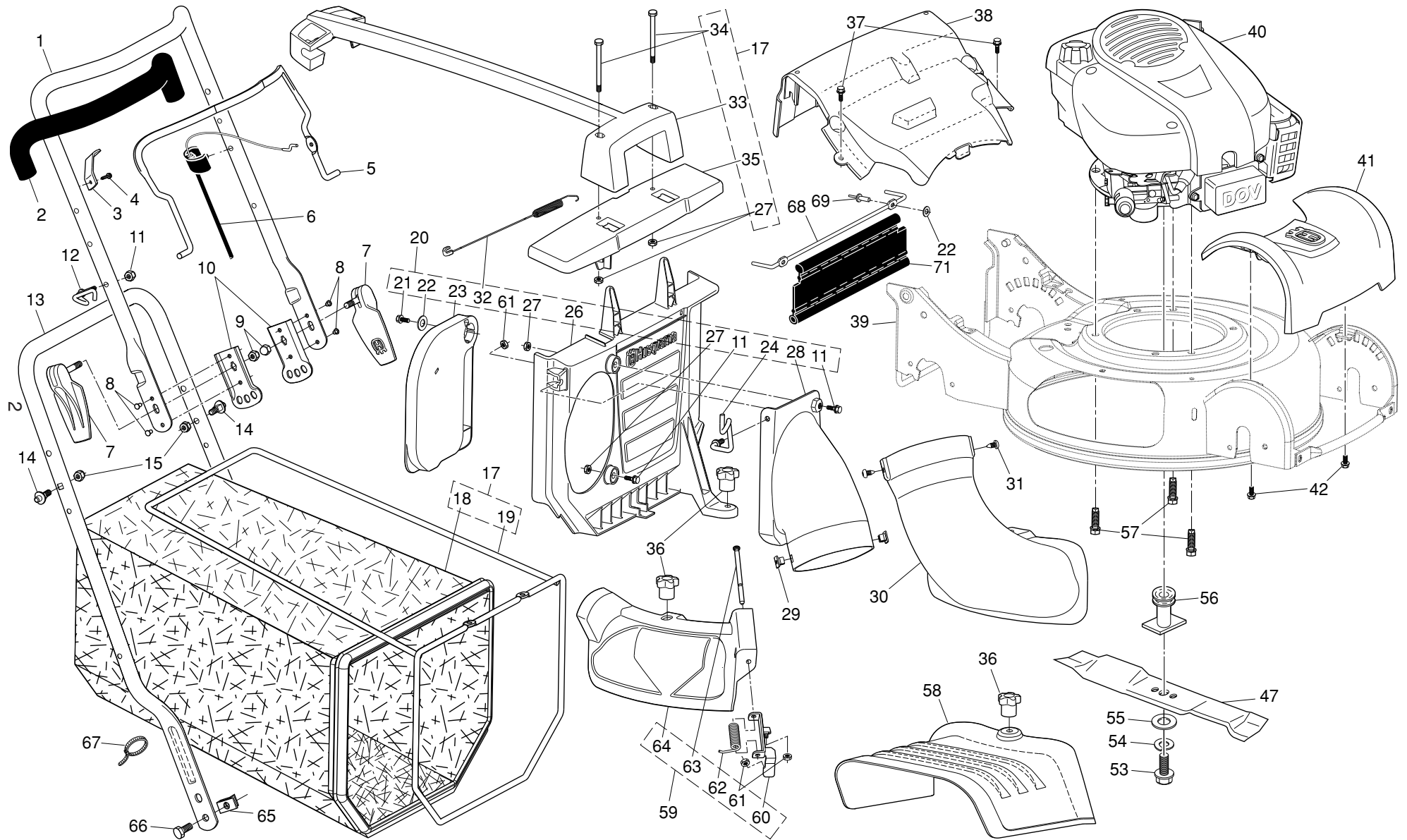
**ILLUSTRATED PARTS LIST**

**MODEL NUMBER HP718HV**

**PRODUCT NUMBER 961 33 00-10**

**MFG. ID. NUMBER 96133001000**

# ROTARY LAWN MOWER - - MODEL NUMBER HP718HV (96133001000) PRODUCT NO. 961 33 00-10

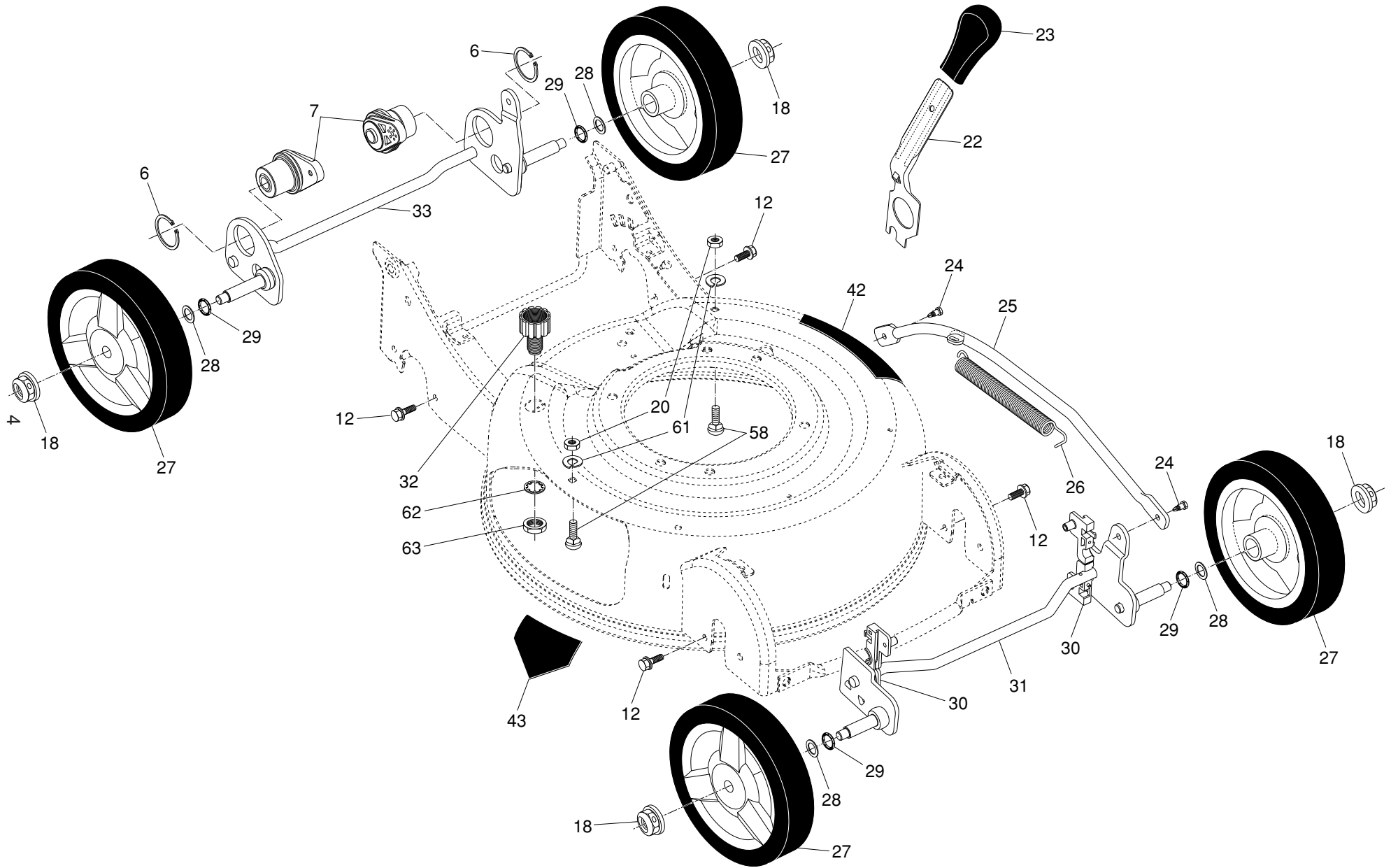


# ROTARY LAWN MOWER - - MODEL NUMBER **HP718HV** (96133001000) PRODUCT NO. 961 33 00-10

KEY NO.	PART NO.	DESCRIPTION	KEY NO.	PART NO.	DESCRIPTION
1	532 40 06-04	Upper Handle Assembly (Includes Foam Grip)	34	871 09 04-48	Screw 1/4-20 x 3
2	532 18 63-62	Grip, Foam	35	532 41 35-12	Adapter, Grass Catcher
3	532 43 00-34	Upstop Bracket	36	532 18 34-47	Knob
4	532 75 06-34	Screw, Threaded, Rolled #10-24 x 1/2	37	532 19 94-22	Screw, Hex Washer Head 1/4-20 x 1/2
5	532 42 68-12	Control Bar	38	532 41 35-13	Rear Cover
6	532 40 88-85	Cable, Operator Presence	39	532 42 06-81	Kit, Lawn Mower Housing
7	532 41 35-07	Quick Release Assembly	40	- - -	Engine, Briggs & Stratton, Model Number 100602- 1442-B8 (For engine service and replacement parts, call Briggs & Stratton at 1-800-233-3723)
8	532 19 96-97	Rivet	41	532 41 35-14	Front Cover
9	532 40 04-13	Nut, Acorn	42	532 19 41-89	Screw, Hex Washer Head 3/8-16 x 5/8
10	532 41 35-34	Bracket, Quick Release	47	532 19 92-43	Blade
11	532 13 20-04	Nut, Hex, Zinc-Plated, Black 1/4-20	53	532 19 17-60	Bolt, Hex Head 3/8-24 x 2-1/2
12	532 19 47-88	Rope Guide, Upper Handle	54	532 85 02-63	Washer, Helical
13	532 41 35-35	Lower Handle	55	532 85 10-74	Washer, Hardened
14	532 19 92-55	Stud, Adjustment	56	532 19 92-49	Blade Adapter
15	532 75 11-53	Nut, Hex 5/16-18	57	532 15 04-06	Bolt, Engine, Dogpoint 3/8-16
17	532 40 01-36	Grass Catcher Assembly	58	532 42 51-30	Discharge Guard
18	532 19 92-73	Grass Bag	59	532 40 93-14	Mulcher Door Assembly
19	532 19 92-78	Frame, Grass Bag	60	532 19 92-68	Hinge Bracket Assembly
20	532 40 01-35	Chute Assembly	61	532 19 17-30	Nut, Hex, Flangelock 1/4-20
21	532 16 34-09	Screw, Hi-Lo Thread 1/8 x 5/8	62	532 18 34-46	Spring, Mulcher Door
22	532 05 38-47	Washer, Flat 1/4	63	532 18 34-45	Rod, Hinge
23	532 41 35-08	Chute, Rear Door	64	532 41 35-18	Mulcher Door
24	532 40 86-52	Rope Guide, Rear Door	65	532 40 40-08	Speed Nut
26	532 41 35-09	Rear Door	66	532 85 09-99	Bolt, Hex Head 3/8-16 x 1-1/4
27	532 40 13-69	Bolt, Shoulder 5/16	67	532 06 64-26	Wire Tie
28	532 41 35-10	Upper Chute	68	532 41 94-12	Brace, Support
29	532 19 97-27	Grommet 1/4	69	532 19 19-95	Rivet 1/4 x .475
30	532 41 35-11	Lower Chute	71	532 40 05-14	Skirt, Rear
31	532 19 98-55	Screw, T-30 1/4-20 x 1/2	--	532 43 26-27	Manual, Operator's, English / French
32	532 40 14-02	Spring, Rear Door			
33	532 41 35-36	Handle, Grass Catcher			

**NOTE:** All component dimensions given in U.S. inches. 1 inch = 25.4 mm. **IMPORTANT:** Use only Original Equipment Manufacturer (O.E.M.) replacement parts. Failure to do so could be hazardous, damage your lawn mower and void your warranty.

**ROTARY LAWN MOWER - - MODEL NUMBER HP718HV (96133001000) PRODUCT NO. 961 33 00-10**



# ROTARY LAWN MOWER - - MODEL NUMBER **HP718HV** (96133001000) PRODUCT NO. 961 33 00-10

KEY NO.	PART NO.	DESCRIPTION	KEY NO.	PART NO.	DESCRIPTION
6	812 00 00-12	Ring, Retaining	29	532 19 74-80	O-Ring
7	532 19 92-45	Bearing, Drive	30	532 41 35-20	Bushing, Front Axle
12	532 16 34-09	Screw, Hi-Lo Thread #12 x 5/8	31	532 41 40-71	Axle Assembly, Front
18	532 40 91-48	Nut, Hex	32	<b>532 41 97-35</b>	Fitting, Water Washout
20	532 40 01-00	Locknut, Hex 1/4-20	33	532 41 40-72	Axle Assembly, Rear
22	532 41 35-19	Height Adjustment Lever, Rear	41	532 15 97-36	Decal, Hot Muffler
23	532 19 92-69	Knob, Height Adjustment Lever	42	532 42 06-82	Decal, Warning
24	532 40 70-59	Screw	43	532 40 47-63	Decal, Danger
25	532 43 18-15	Height Adjustment Lever, Front	58	872 11 04-07	Bolt, Carriage
26	532 40 96-16	Spring	61	532 85 02-63	Washer, Lock, Helical Spring 3/8
27	532 41 08-31	Wheel & Tire Assembly	62	<b>532 41 55-85</b>	Washer, Star
28	532 08 83-48	Washer, Flat	63	<b>532 41 55-86</b>	Nut, Hex

**NOTE:** All component dimensions given in U.S. inches. 1 inch = 25.4 mm. **IMPORTANT:** Use only Original Equipment Manufacturer (O.E.M.) replacement parts. Failure to do so could be hazardous, damage your lawn mower and void your warranty.