



# 230, 235, 235e 240, 240e

**Spare parts**

**Ersatzteile**

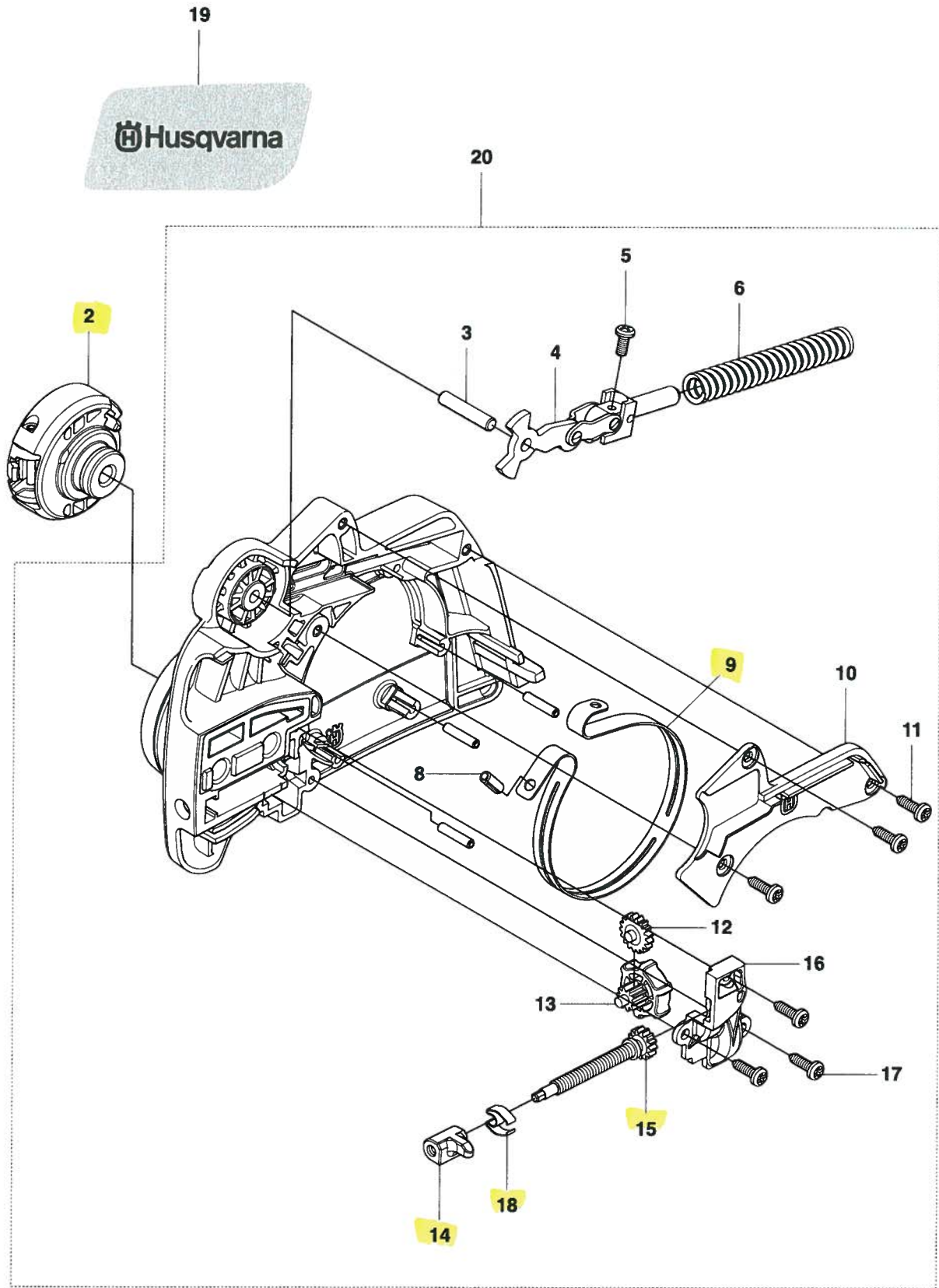
**Pièces détachées**

**Reserve onderdelen**

**Repuestos**

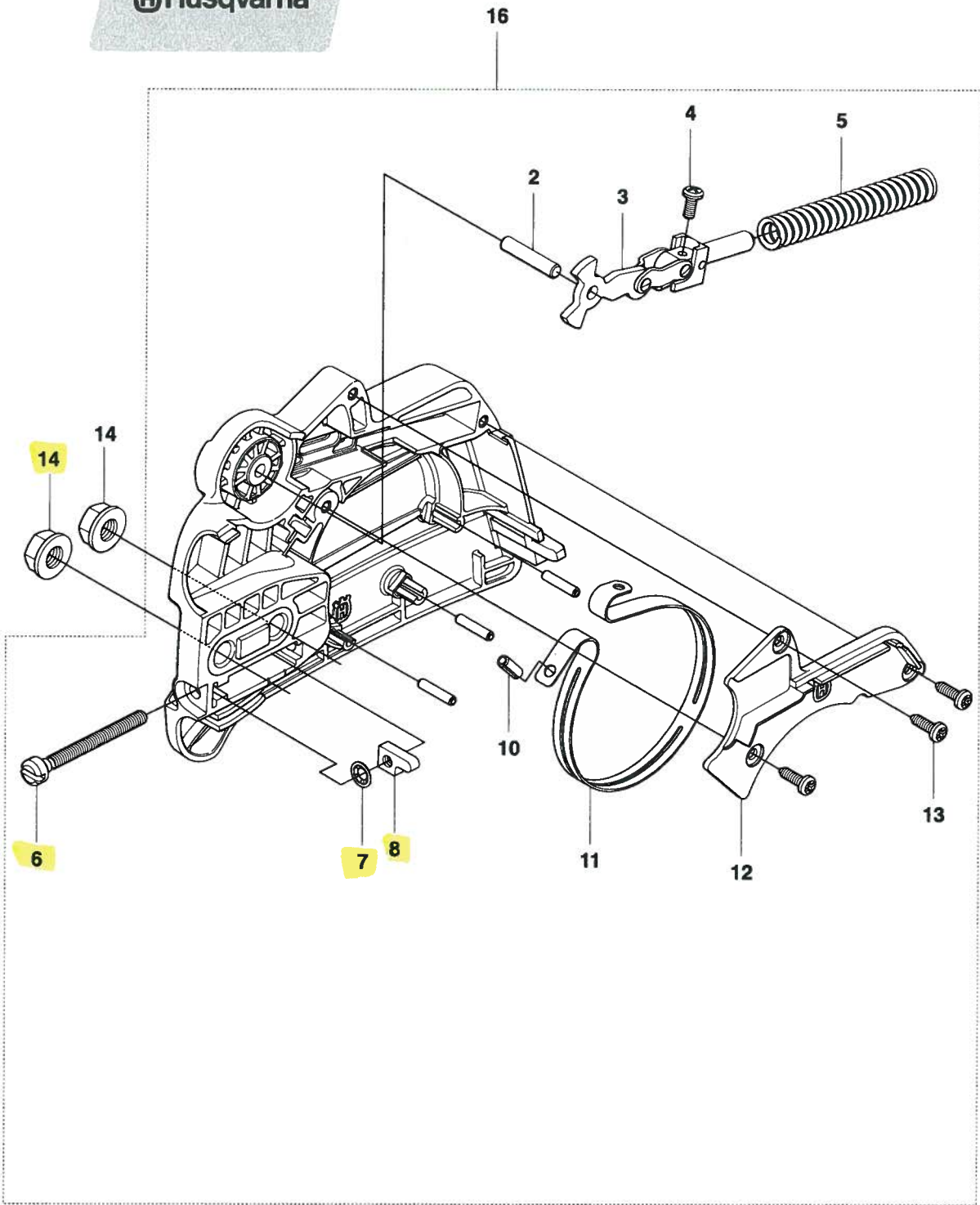
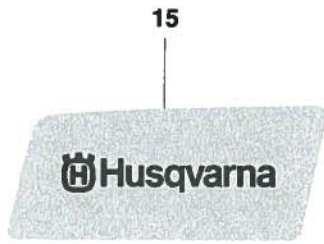
**Reservdelar**

 Husqvarna



CHAIN BRAKE ASSY 545 071101

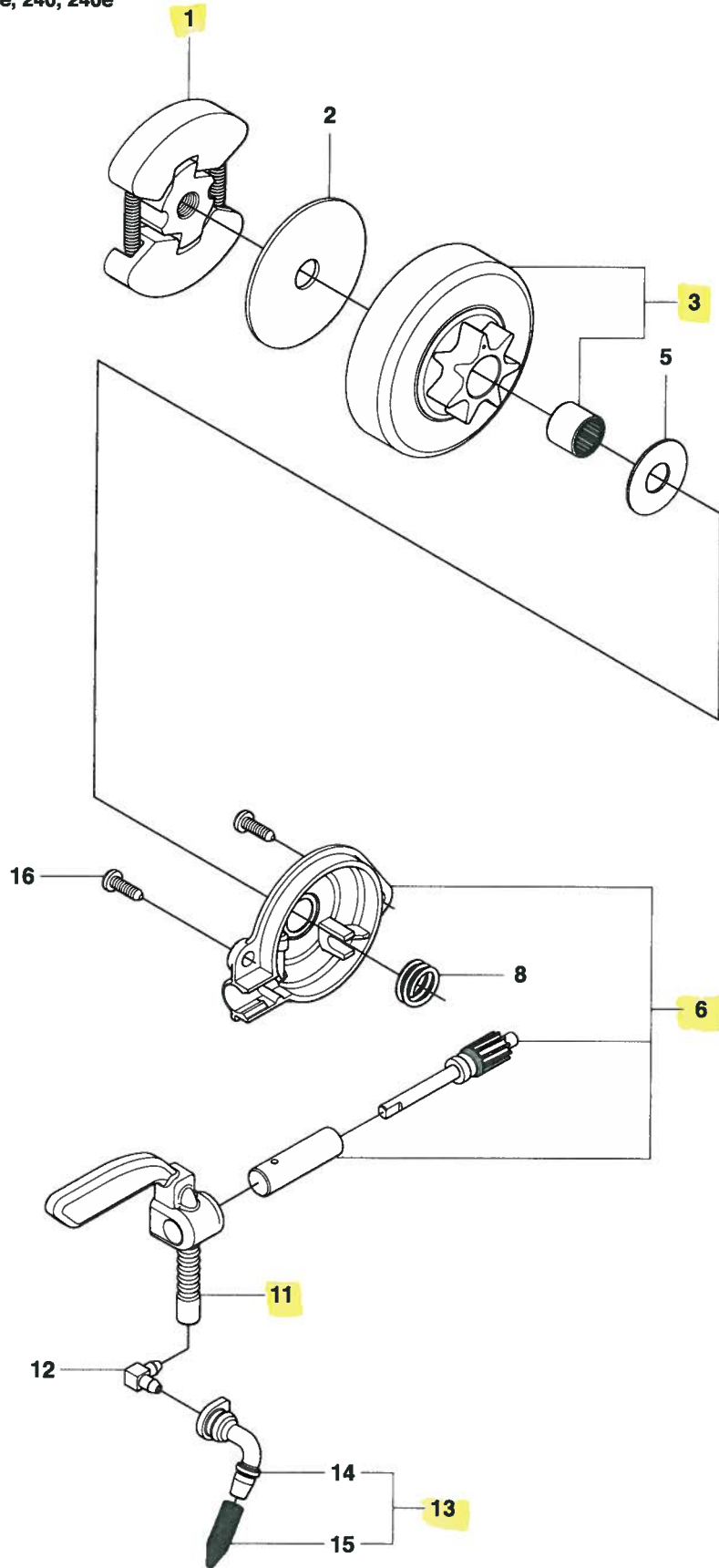
Position	Article	Quantity	Description	Kit
2	545-146401	1	ASSEMBLY KNOB EZT	
3	530-057950	1	PIN, DOWEL	20
4	530-057940	1	ASSY, FRONT LINK	20
5	530-015911	1	M3.83 X 1.81 X 9 PLASTITE	20
6	530-016415	1	SPRING COMPRESSION	20
8	530-015913	1	PIN, BAND RETAINER	20
9	530-057923	1	BRAKE BAND	20
10	545-071001	1	COVER, BRAKE BAND	20
11	530-016064	3	SCP#6-19 X .437 .PL. PAN.	20
12	545-060201	1	GEAR, IDLER	20
13	545-090502	1	WHEEL, GEAR ADJUSTER	20
14	545-060501	1	PIN, BAR ADJUSTING	20
15	545-065901	1	ASSY ADJUSTER SCREW	20
16	545-059201	1	COVER, GEAR	20
17	530-016064	3	SCP#6-19 X .437 .PL. PAN.	20
18	545-149301	1	CLIP, EZT SPRING	20
19	545-118601	1	DECAL, EZT CLUTCH COVER	
20	545-071101	1	CHAIN BRAKE ASSEMBLY	



CHAIN BRAKE ASSY 545 07 11-03

Position	Article	Quantity	Description	Kit
2	530-057950	1	PIN, DOWEL	16
3	530-057940	1	ASSY, FRONT LINK	16
4	530-015911	1	M3.83 X 1.81 X 9 PLASTITE	16
5	530-016415	1	SPRING COMPRESSION	16
6	530-016110	1	SCREW BAR ADJUSTING	16
7	530-038593	1	RETAINER PUSH NUT	16
8	530-015826	1	PIN BAR ADJUST	16
10	530-015913	1	PIN, BAND RETAINER	16
11	530-057923	1	BRAKE BAND	16
12	545-071001	1	COVER, BRAKE BAND	16
13	530-016064	3	SCP#6-19 X .437 .PL. PAN.	16
14	530015917	2	NUT, BAR MTG	
15	545-118701	1	DECAL	
16	545-071103	1	CHAIN BRAKE ASS'Y FRT ADJ	

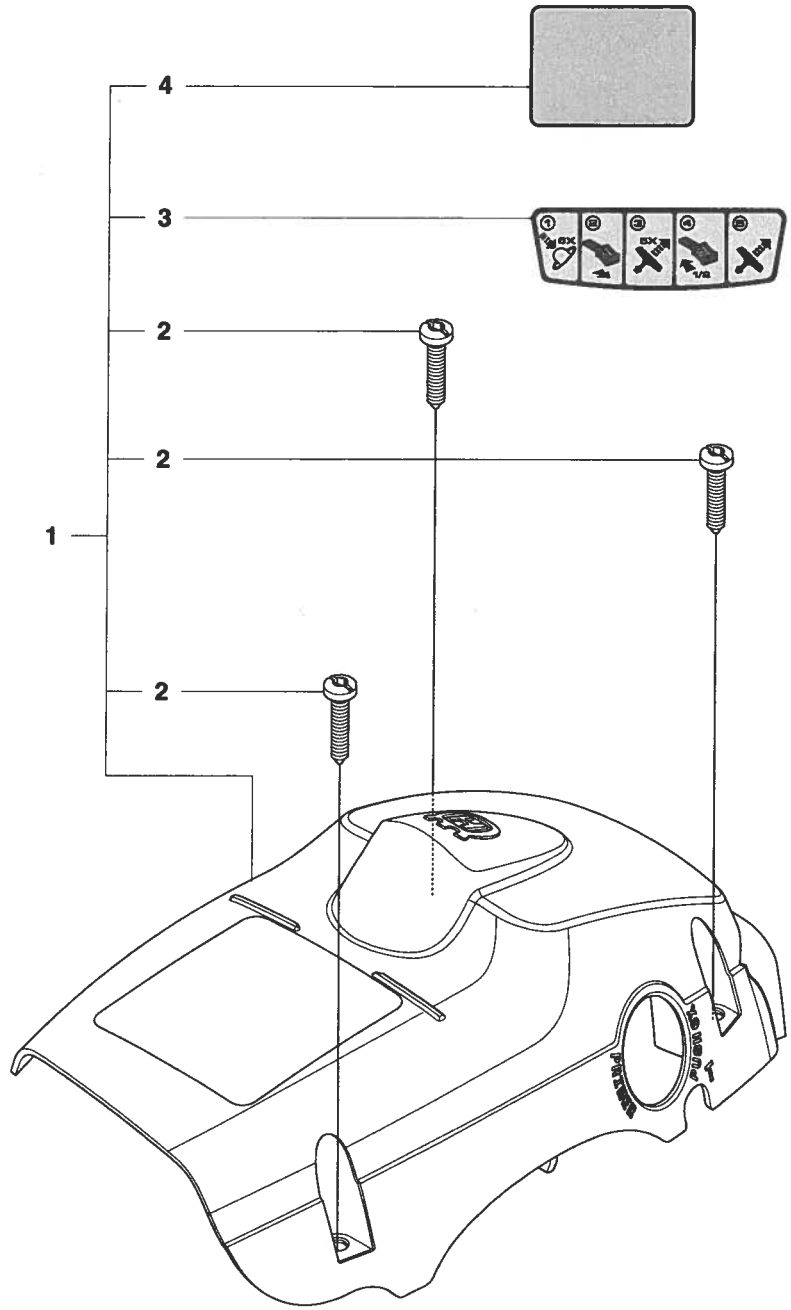
**C** 230, 235, 235e, 240, 240e



**CLUTCH AND OIL PUMP**

Position	Article	Quantity	Description	Kit
1	530-014949	1	ASSY- CLUTCH	
2	530-015611	1	WASHER, CLUTCH (LARGE)	
3	530-047061	1	3/8-6 TOOTH DRUM ASEMBLY	
3	530-048132	1	.325-7 TOOTH DRUM ASEMBLY	
5	530-015907	1	WASHER, THRUST	
6	545-069301	1	ASSEMBLY OIL PUMP	
8	530-037820	1	GEAR- WORM	
11	545-227501	1	OIL BLOCK	
12	530-049477	1	ELBOW FITTING	
13	545-069501	1	PICK UP ASSEMBLY OIL TANK	
14	545-069401	1	PICK-UP SEAL	13
15	530-056533	1	SPRING, FILTER	13
16	530-016064	2	SCP#6-19 X .437 .PL. PAN.	

**D** 230, 235, 235e, 240, 240e

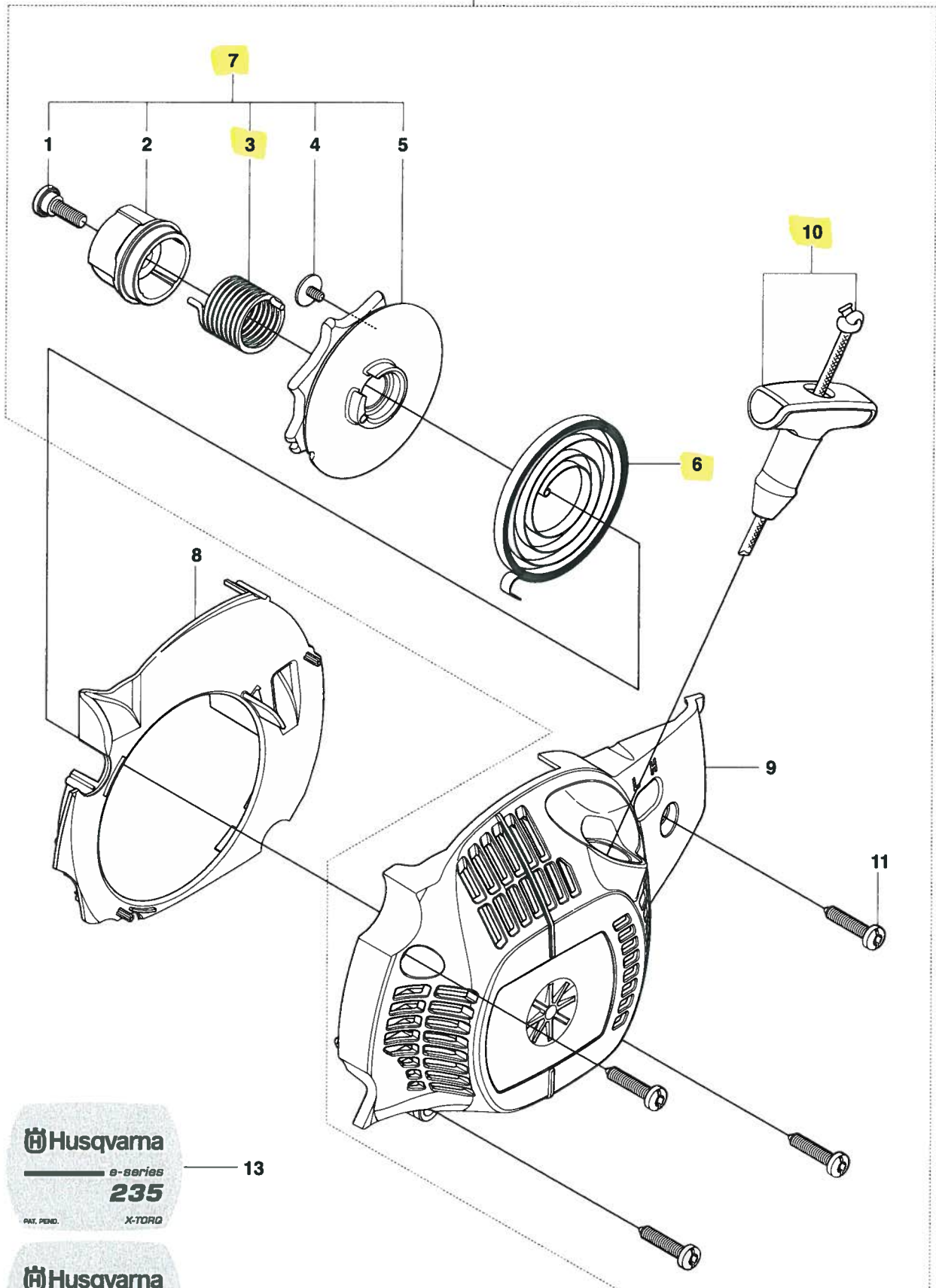




**Page D 230**  
**235/235e**  
**240/240e**

**COVER**

<b>Position</b>	<b>Article</b>	<b>Quantity</b>	<b>Description</b>	<b>Kit</b>
1	545-180804	1	KIT CYLINDER SHIELD	
2	545-070001	3	SCREW, CYLINDER SHIELD	1
3	545-116502	1	DECAL, STARTING INSTRUCTION	1
4	545-165957	1	GLOBAL WARNING DECAL	1

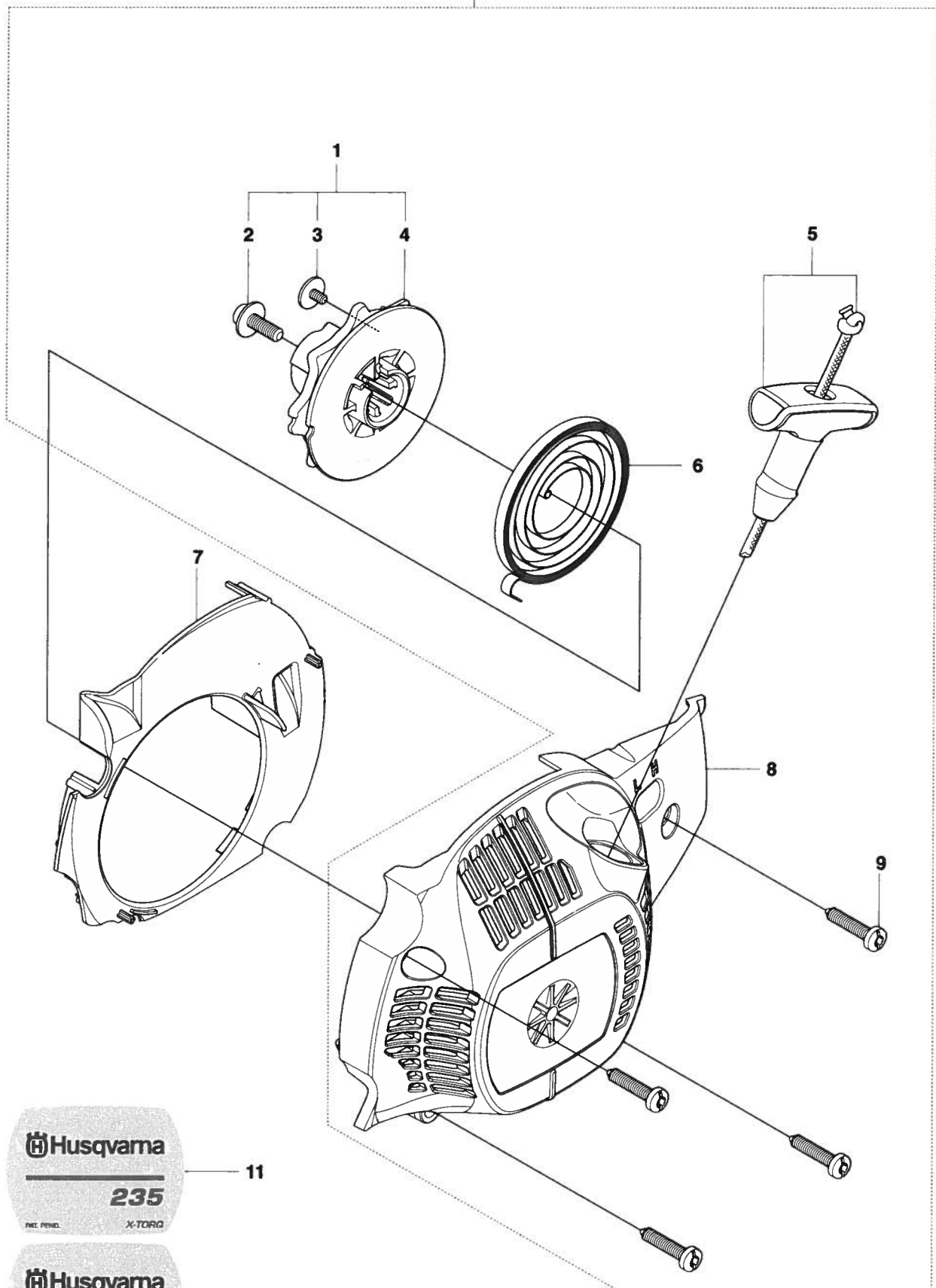


**Husqvarna**  
e-series  
**235**  
PAT. PEND. X-TORQ

**Husqvarna**  
e-series  
**240**  
PAT. PEND. X-TORQ

EPS STARTER

Position	Article	Quantity	Description	Kit
1	530-021179	1	SCREW SHOULDER	7,12
2	530-059677	1	STARTER HUB EPS	7,12
3	530-021180	1	SPRING EPS	7,12
4	530-016080	1	SCREW, ROPE RETAINER	7,12
5	545-058201	1	PULLEY- STARTER EPS	7,12
6	530-042095	1	SPRING- RECOIL	12
7	530-071966	1	KIT, EPS STARTER 235e/240e	12
8	545-063801	1	BAFFLE	
9	545-063701	1	FAN HOUSING	12
10	545-010010	1	HANDLE & ROPE assy	12
11	530-016432	4	SCREW, FAN HOUSING	12
12	545-008024	1	KIT, COMPLETE EPS 235e/240e	
13	545-118502	1	DECAL 235e	
14	545-118501	1	DECAL 240e	



11

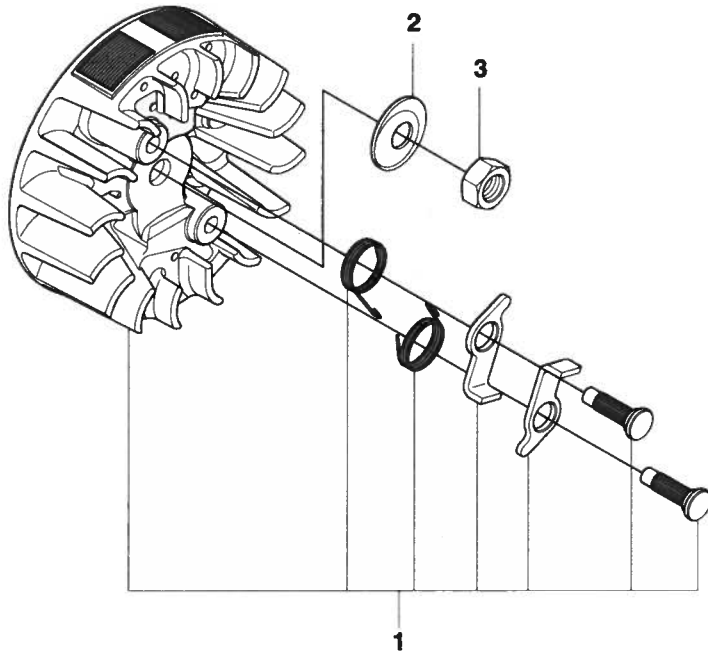
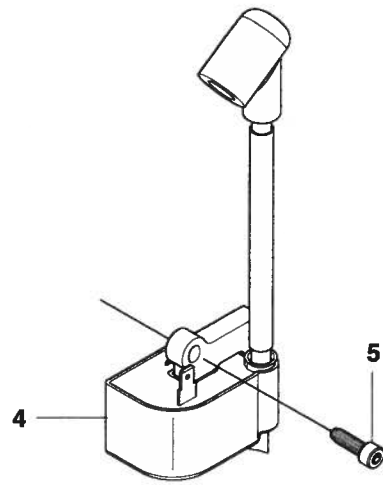
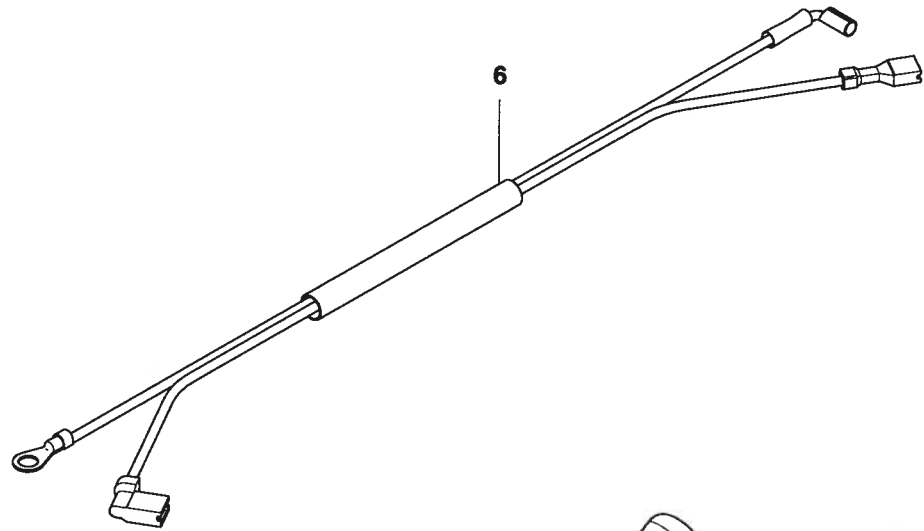


12

**STANDARD STARTER**

Position	Article	Quantity	Description	Kit
1	545-008028	1	KIT, STD STARTER 235,240	
2	530-015920	1	SCREW SHOULDER	1,10
3	530-016080	1	SCREW, ROPE RETAINER	1,10
4	530-057890	1	PULLEY- STARTER STANDARD	1,10
5	545-010010	1	HANDLE & ROPE ASSY	10
6	530-042095	1	SPRING- RECOIL	10
7	545-063801	1	BAFFLE	
8	545-063701	1	FAN HOUSING	10
9	530-016432	4	SCREW, FAN HOUSING	10
10	545-008025	1	KIT COMPLETE 235/240	
11	545-118503	1	DECAL 235	
12	545-165947	1	DECAL 240	

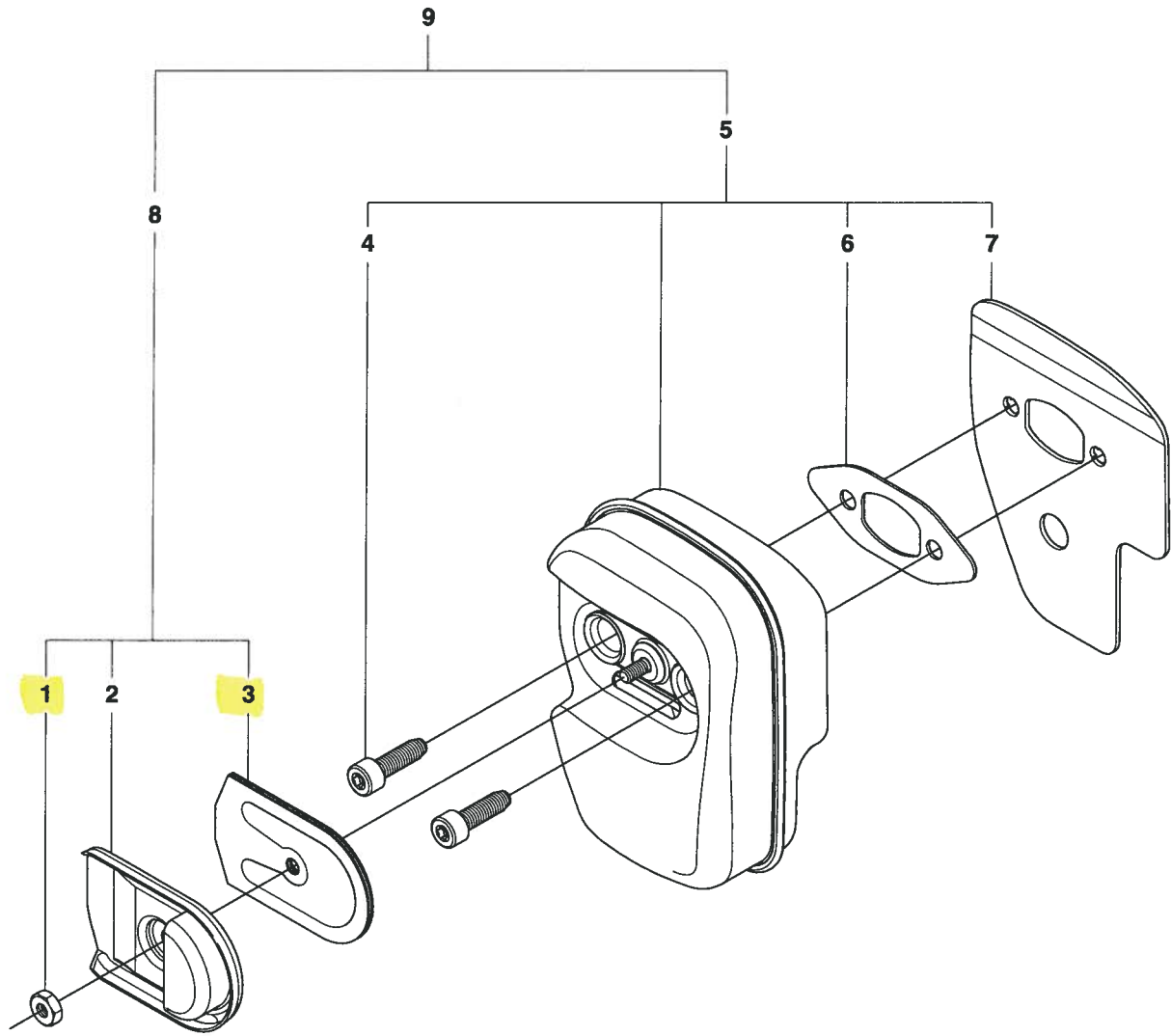
**F** 230, 235, 235e, 240, 240e



**Page F 230**  
**235/235e**  
**240/240e**

**IGNITION SYSTEM**

<b>Position</b>	<b>Article</b>	<b>Quantity</b>	<b>Description</b>	<b>Kit</b>
1	530-039147	1	FLYWHEEL ASSY	
2	530-015127	1	WASHER, FLYWHEEL	
3	530-016134	1	NUT, FLYWHEEL	
4	530-039143	1	MODULE- IGNITION	
5	545-121901	2	SCREW, IGN MODULE	
6	545-079901	1	ASSY- WIRE HARNESS	

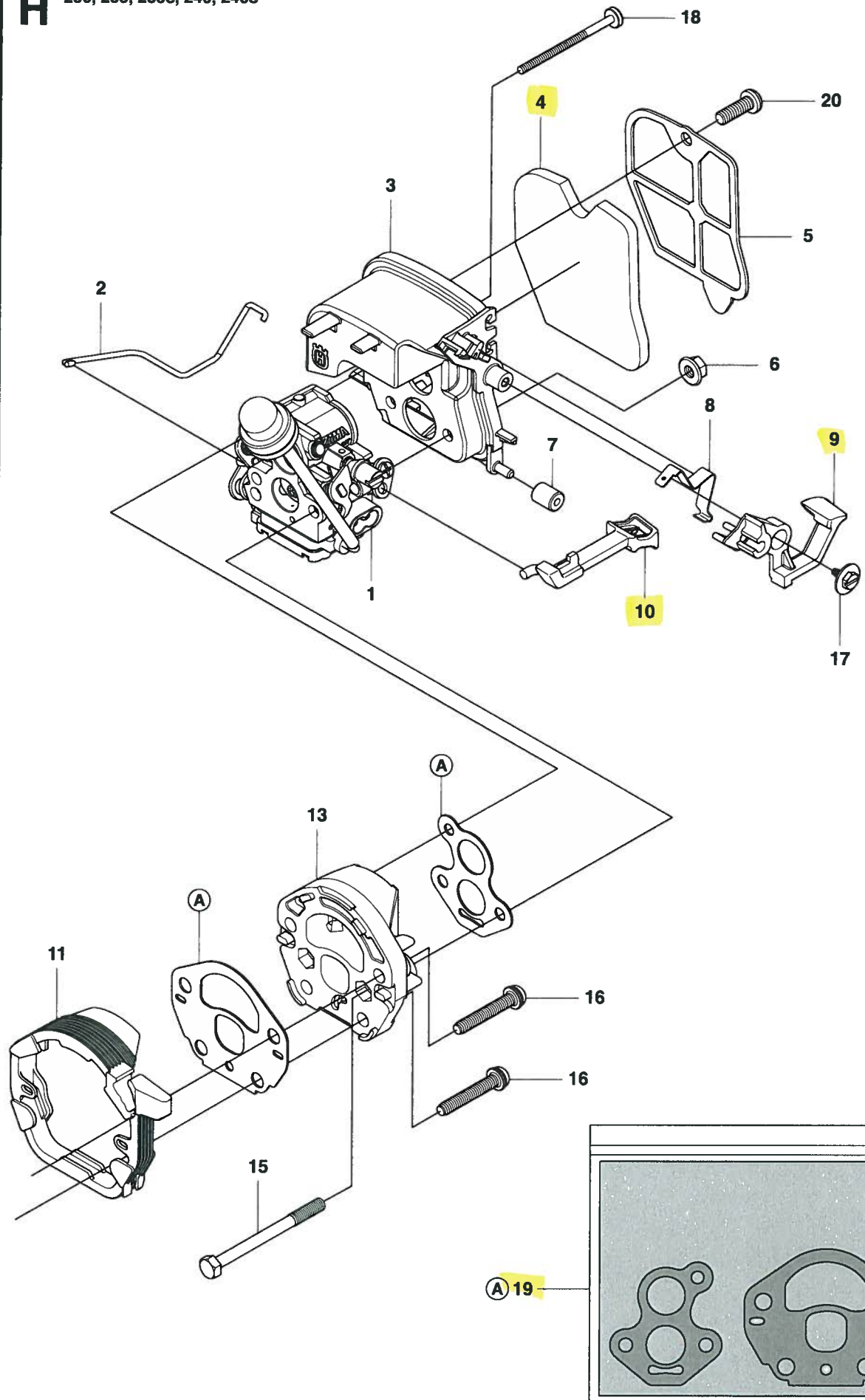




Page G 230  
235/235e  
240/240e

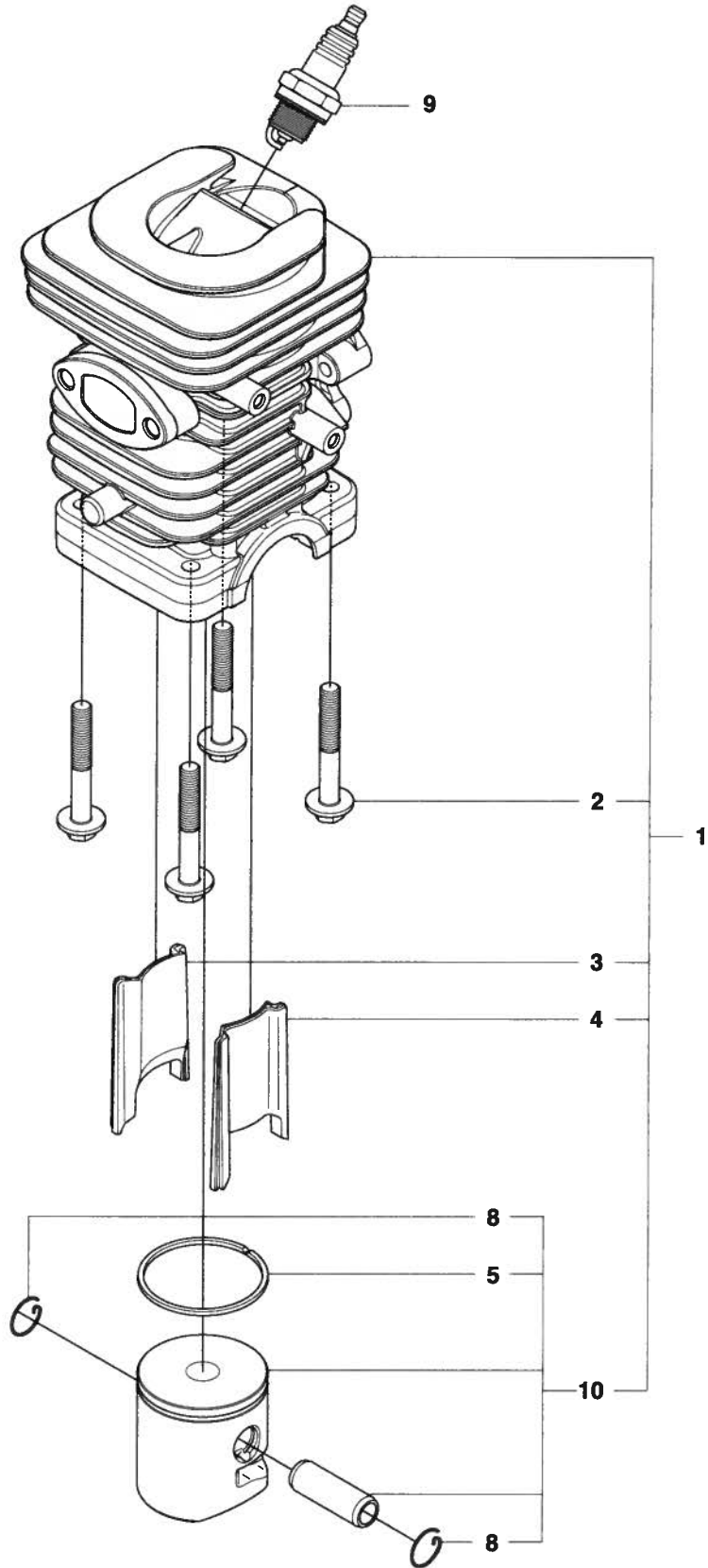
MUFFLER

Position	Article	Quantity	Description	Kit
1	530-016359	1	NUT, #10-24 BRASS	8,9
2	545-076901	1	EXHAUST PLATE	8,9
3	545-167401	1	SCREEN-ARRESTOR, GASKET	8,9
4	530-016338	2	MUFFLER BOLT	5,9
5	545-032701	1	MUFFLER ASSEMBLY	9
6	530-054884	1	MUFFLER GASKET	5,9
7	545-066901	1	MUFFLER BACK PLATE	5,9
8	545-008027	1	KIT SPART ARRESTOR	9
9	545-180843	1	KIT MUFFLER COMPLETE	



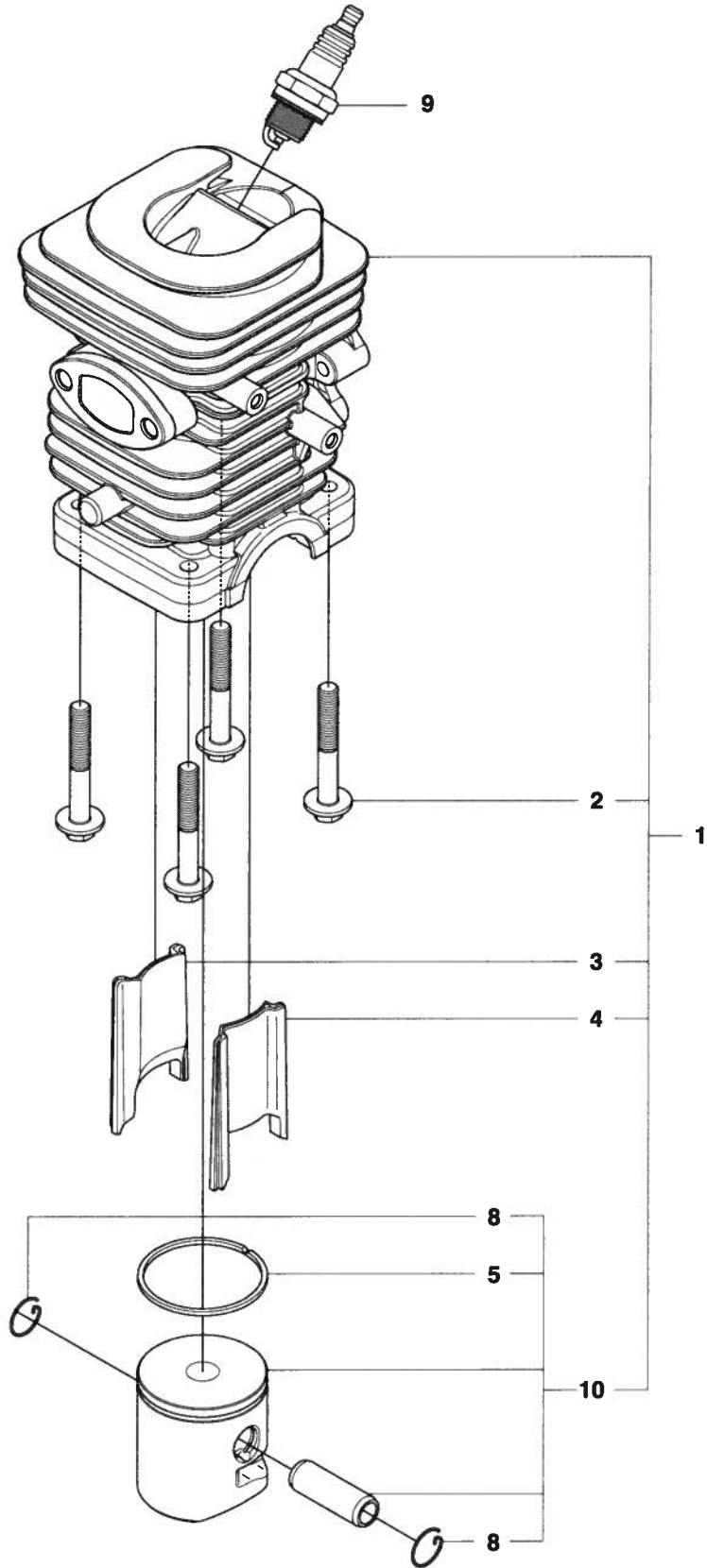
**CARBURETOR AND AIR FILTER**

Position	Article	Quantity	Description	Kit
1	545-072601	1	CARBURETOR (ZAMA) - REF.	
2	545-062801	1	THROTTLE WIRE	
3	545-062101	1	FILTER HOUSING	
4	545-061801	1	AIR FILTER	
5	545-151801	1	FILTER PLATE	
6	530-016101	2	NUT, CARB	
7	545-061901	1	ISOLATOR FILTER HOUSING	
8	545-063401	1	SWITCH, SPRING	
9	545-061701	1	SWITCH LEVER	
10	545-061601	1	CHOKE KNOB	
11	545-061501	1	CARB ADAPTOR SEAL	
13	545-061401	1	CARB ADAPTOR	
15	545-033701	2	STUD-CARBURETOR	
16	545-158301	4	CARB ADAPTOR SCREW	
17	530-016080	1	SCREW SWITCH	
18	545-074901	1	TOP STUD-CARBURETOR	
19	545-081892	1	GASKET KIT	
20	530-016349	1	SCREW, FILTER PLATE	

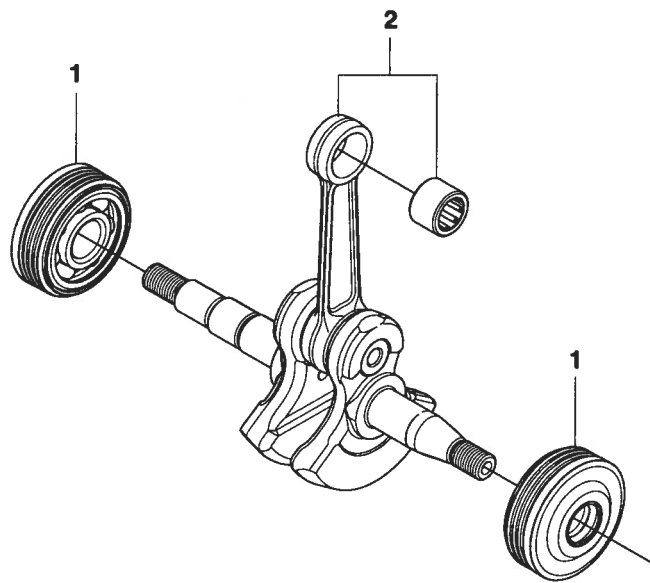


CYLINDER PISTON 34cc

Position	Article	Quantity	Description	Kit
1	545-050418	1	KIT, CYLINDER & PISTON	
2	545-081501	4	BOLT, CYLINDER	
3	545-101501	1	TRANSFER INSERT LEFT 34c	
4	545-101401	1	TRANSFER INSERT RIGHT 34cc	
5	545-101701	1	PISTON RING	10
8	530-015697	2	PISTON PIN RETAINER	10
9	503-235108	1	PLUG-SPARK (RCJ-7Y)	
10	545-081893	1	KIT PISTON 34cc 230/235/235e	



Position	Article	Quantity	Description	Kit
1	545-050417	1	KIT, CYLINDER & PISTON	
2	545-081501	4	BOLT, CYLINDER	
3	530-012607	1	INSERT, TRANSFER LEFT	
4	530-012606	1	INSERT, TRANSFER RIGHT	
5	530-012608	1	PISTON RING	10
8	530-015697	2	PISTON PIN RETAINER	10
9	503-235108	1	PLUG-SPARK (RCJ-7Y)	
10	545-081894	1	KIT 38cc PISTON	



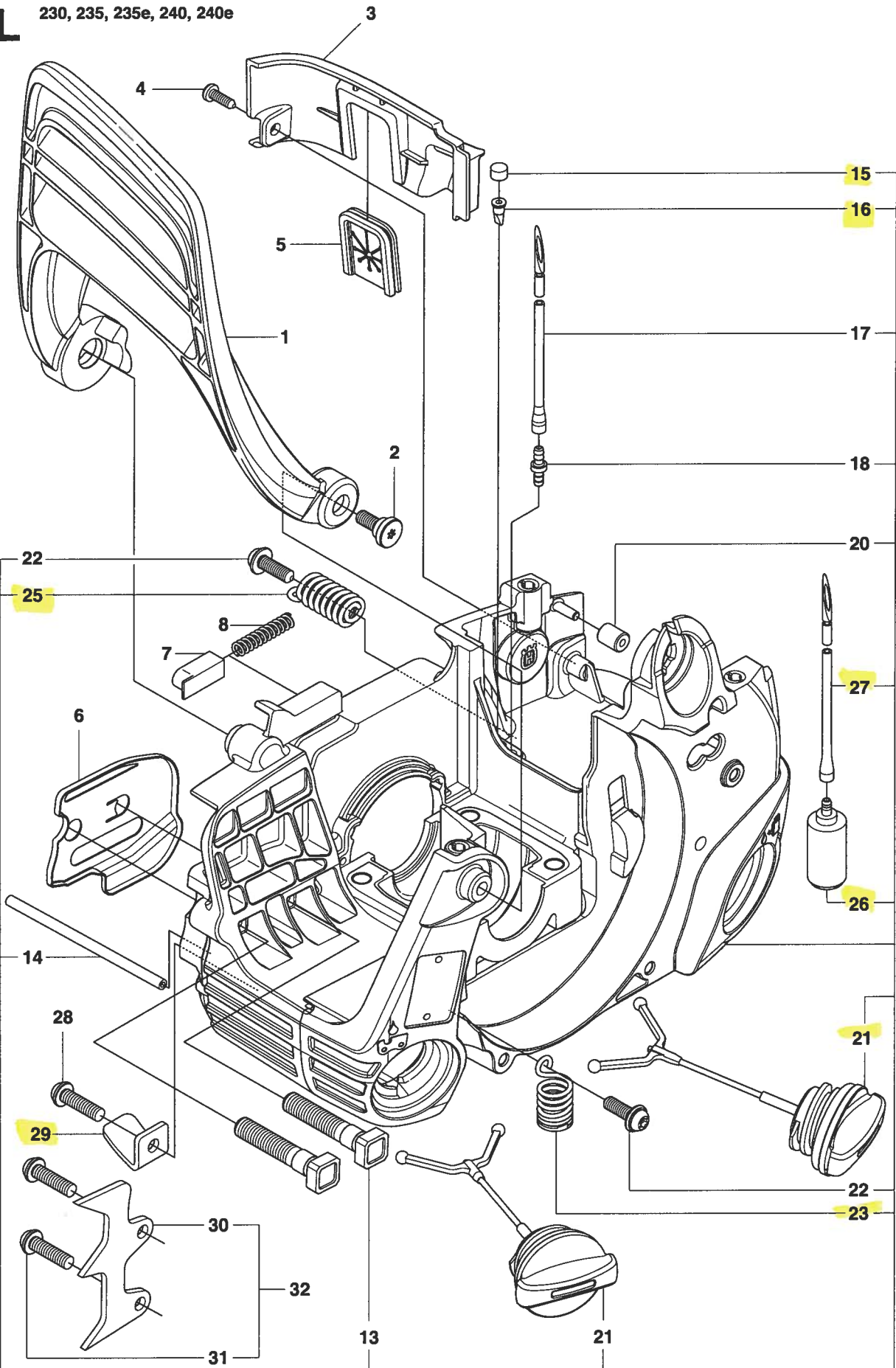


**Page K 230**  
**235/235e**  
**240/240e**

**CRANKSHAFT**

<b>Position</b>	<b>Article</b>	<b>Quantity</b>	<b>Description</b>	<b>Kit</b>
1	530-056363	2	ASSY MAIN BEARING & SEAL	
2	530-012605	1	ASSEMBLY CRANKSHAFT	

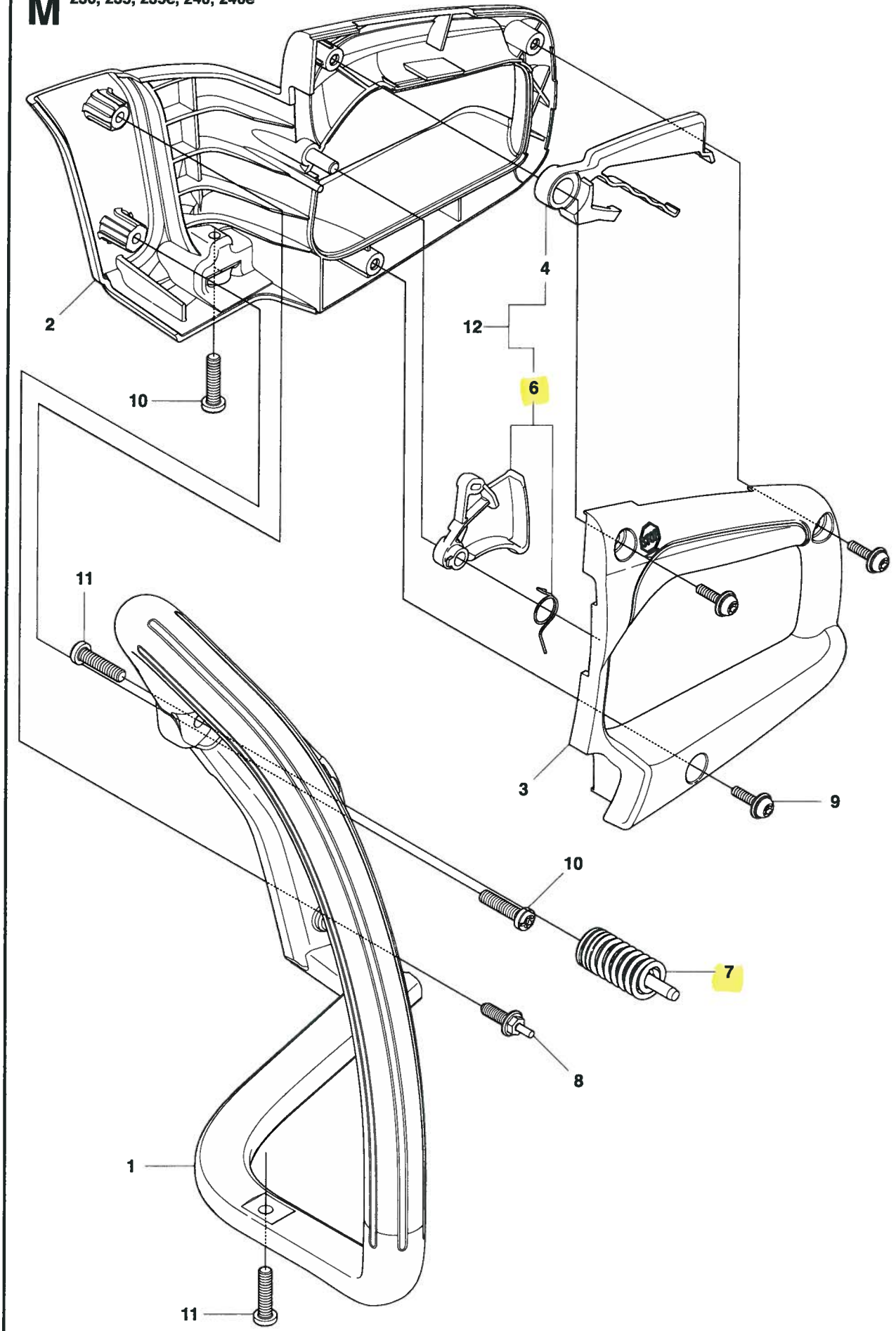
L 230, 235, 235e, 240, 240e



CHASSIS & HAND GUARD

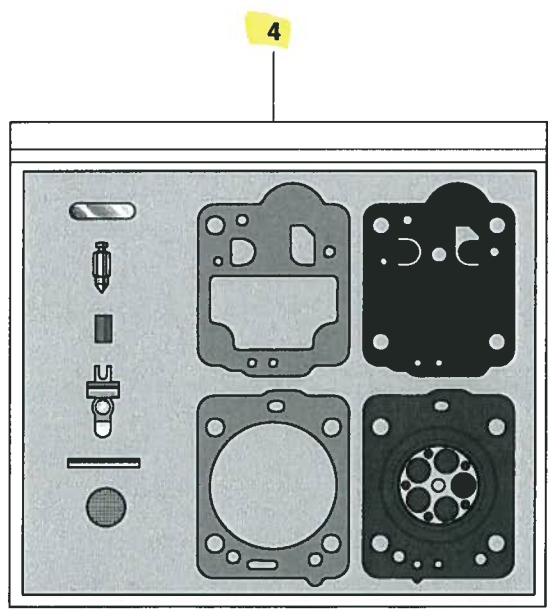
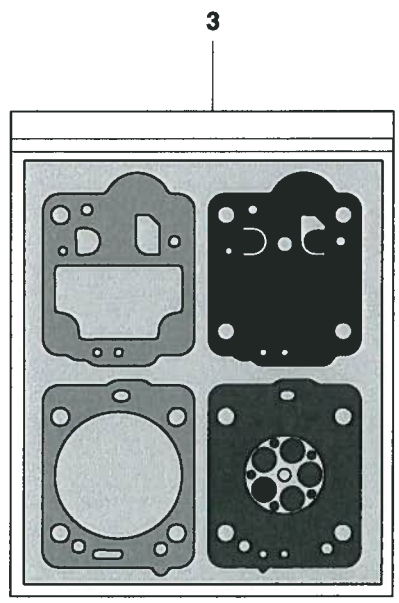
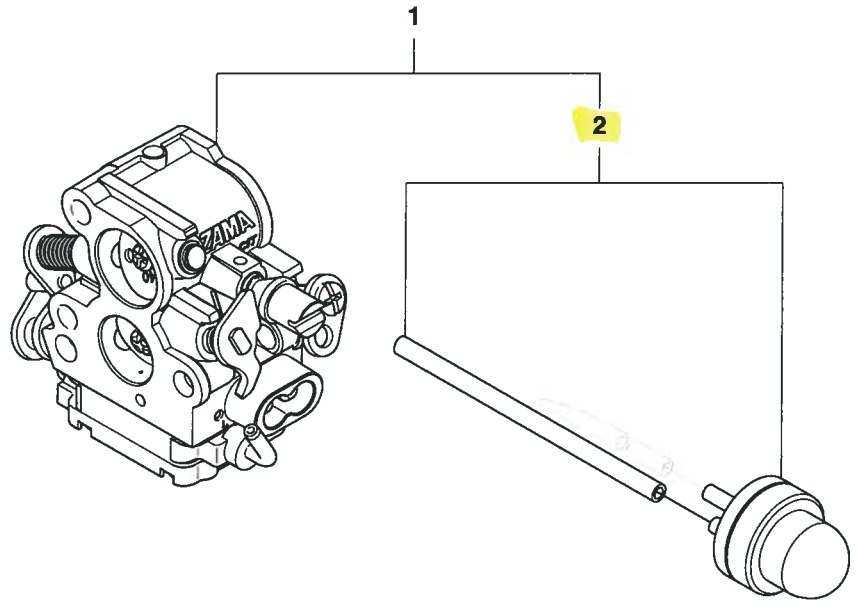
Position	Article	Quantity	Description	Kit
1	545-066701	1	HANDGUARD	
2	545-127301	1	BOSS SCREW, HANDGUARD	
3	545-061201	1	REAR WALL	
4	530-016064	1	SCREW, MTG REAR WALL	
5	545-075401	1	GROMMET, REAR WALL	
6	545-071401	1	PLATE BAR MOUNTING	
7	545-071301	1	CAP, SPRING HANDGUARD	
8	545-071201	1	SPRING, HANDGUARD POSITION	
11	545-230001	1	CHASSIS ASSEMBLY	
13	530-015877	2	BOLT, BAR	11
14	545-033501	1	ASSY, VENT LINE	11
15	530-029868	1	PLUG VENT (BRONZE)	11
16	530-026119	1	CHECK VALVE (DUCK BILL)	11
17	530-021132	1	LINE-RETURN PURGE	11
18	530-023877	1	FITTING- FUEL LINE	11
20	545-061901	1	ISOLATOR FILTER HOUSING	11
21	545-070801	2	ASSY-OIL/FUEL CAP W/RET.	11
22	530-015906	2	SCREW M5.28X1.81X16MM PLAS	11
23	545-033801	1	ASS'Y FRONT ISOLATOR	11
25	545-063101	1	REAR ISOLATOR SPRING	11
26	530-095646	1	ASSY- PICK-UP	11
27	545-078302	1	LINE, FUEL	11
28	530-015814	1	SCREW CATCHER	
29	530-029850	2	HAIN CATCHER	
30	530-038990	1	SPIKE	32
31	530-016439	2	SCREW SPIKE	32
32	530-014381	1	KIT SPIKE	

**M** 230, 235, 235e, 240, 240e



**HANDLE AND CONTROLS**

Position	Article	Quantity	Description	Kit
1	545-062401	1	FRONT HANDLE	
2	545-062202	1	REAR HANDLE W/OVMLD 240e	
2	545-062201	1	REAR HANDLE 230/235/235e	
3	545-062302	1	REAR HANDLE COVER W/OVMLD 240e	
3	545-062301	1	REAR HANDLE COVER 230/235/235e	
4	545-062601	1	LOCKOUT- THROTTLE	12
6	545-121501	1	ASSY TRIGGER & SPRING	12
7	545-033901	1	ASS'Y FRONT ISOLATOR	
8	545-076301	1	ISOLATION LIMITER SCREW	
9	530-016433	3	SCREW 8-16X15.1 PL PAN.TRX	
10	530-016349	2	SCREW M5.28X1.81X16MM PLAS	
11	530-016432	2	SREW M5.38-14X22.225MM	
12	545-081013	1	KIT TRIGGER & LOCKOUT	

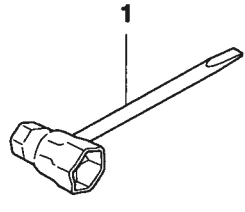


Page N 230  
235/235e  
240/240e

**CARBURETOR DETAILS**

<b>Position</b>	<b>Article</b>	<b>Quantity</b>	<b>Description</b>	<b>Kit</b>
1	545-072601	1	CARB COMPLETE	
2	545-008030	1	PURGE AND LINE ASSEMBLY	1
3	545-008031	1	KIT CARB GASKET	
4	545-008032	1	KIT CARB REPAIR	

**P** 230, 235, 235e, 240, 240e





Page P 230  
235/235e  
240/240e

**ACCESSORIES**

Position	Article	Quantity	Description	Kit
1	530-031135	1	WRENCH	

not shown	501-959256	1	BAR -16"
not shown	501-842156	1	CHAIN 16" 91VP56 (OR USE POULAN 952-051211)