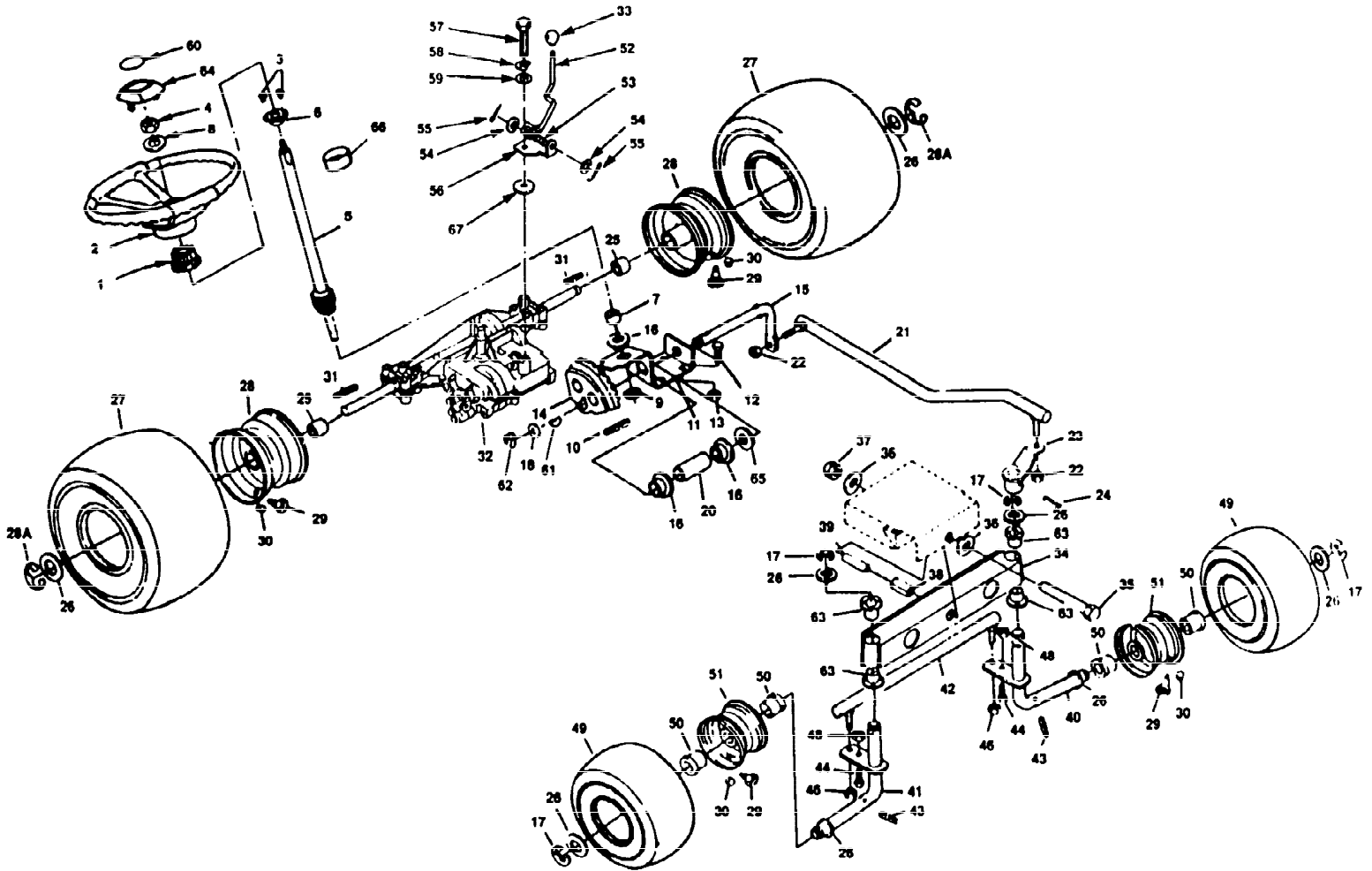




36" RIDING LAWN TRACTOR - MODEL NUMBER L1900BR

STEERING AND WHEELS



| Ref # | Part Number | Qty | Description |
|-------|-------------|-----|------------------|
| 1 | 100711L | | ADAPTER LT |
| 2 | 100713N | | SUB= 150547 |
| 3 | 17431008 | | SUB= 98000165 |
| 4 | 73940800 | | SUB= 73360800 |
| 5 | 677A208 | | STEERING SHFT LT |
| 6 | 1554J | | SUB= 155108 |
| 7 | 74580 | | SHAFT SPACER LT |
| 8 | 100712K | | WASHER |
| 9 | 19212013 | | WASHER |
| 10 | 1572H | | SUB= 2882J |
| 11 | 120017X | | STEERING BRKT T |
| 12 | 74760512 | | BOLT |
| 13 | 73680500 | | SUB= 73690500 |
| 14 | 101060M | | GEAR LT |
| 15 | 101429X | | STEERING ROD LT |
| 16 | 71208 | | BUSHING |
| 17 | 12000029 | | RING |
| 18 | 19211621 | | WASHER |
| 20 | 101171K | | SPACER LT |
| 21 | 71219 | | NLA |
| 22 | 7810H | | GRIPCO NUT |
| 23 | 71185 | | STEERING ARM T |
| 24 | 62079 | | SPIROL PIN |
| 25 | 109502X | | SPACER LT |
| 26 | 121749X | | WASHER |
| 27 | 71653 | | SUB= 122074X |
| | 4445H1 | | TUBE.4.0/4.8-8 |
| 28 | 71652 | | SUB= 106108X427 |
| 28A | 12000001 | | E-RING LT |
| 29 | 65139 | | VALVE STEM LT |
| 30 | 59192 | | VALVE CAP |
| 31 | 2703J | | SUB= 123583X |
| 32 | 43606 | | |
| 33 | 106279X | | CONTROL KNOB LT |
| 34 | 104532X | | SUB= 108894X |
| 35 | 74760848 | | SUB= 64606 |
| 36 | 19171416 | | WASHER |
| 37 | 73680800 | | NUT LTV |
| 38 | 67151 | | ROCKER PIVOT LT |
| 39 | 71188 | | PIVOT SPACER LT |
| 40 | 677A169 | | KINGPIN ASSY LH |
| 41 | 677A168 | | NLA |
| 42 | 73240 | | TIR ROD LT |
| 43 | 9530R | | SUB= 5142H |
| 44 | 74760612 | | SUB= 74780612 |
| 46 | 73810500 | | NUT.LOCK.5/16-24 |
| 48 | 73680600 | | SUB= 73690600 |
| 49 | 71651 | | SUB= 122073X |
| | 4479R | | SUB= 59904 |
| 50 | 625J | | "LT, BEARING" |
| 51 | 677A98 | | RIM ASSY LT |
| 52 | 121407X | | NLA |
| 53 | 105700X | | SPRING LT |

| Ref # | Part Number | Qty | Description |
|-------|-------------|-----|------------------|
| 54 | 19151216 | | WASHER |
| 55 | 76020416 | | PIN COTTER 1/8 |
| 56 | 106632X | | SHIFT PLATE LT |
| 57 | 71040412 | | SUB= 74550412 |
| 58 | 10040400 | | LOCKWASHER |
| 59 | 19091210 | | WASHER LT |
| 60 | 109325X | | SUB= 127075 |
| 61 | 228M | | KEY WOODRUFF #9 |
| 62 | 12000040 | | KLIP RING |
| 63 | 3366R | | COL. SRTG. BEAR. |
| 64 | 100710L | | INSERT-WHEEL LT |
| 65 | 19211616 | | WASHER LT |
| 66 | 109420X | | SLEEVE LT |