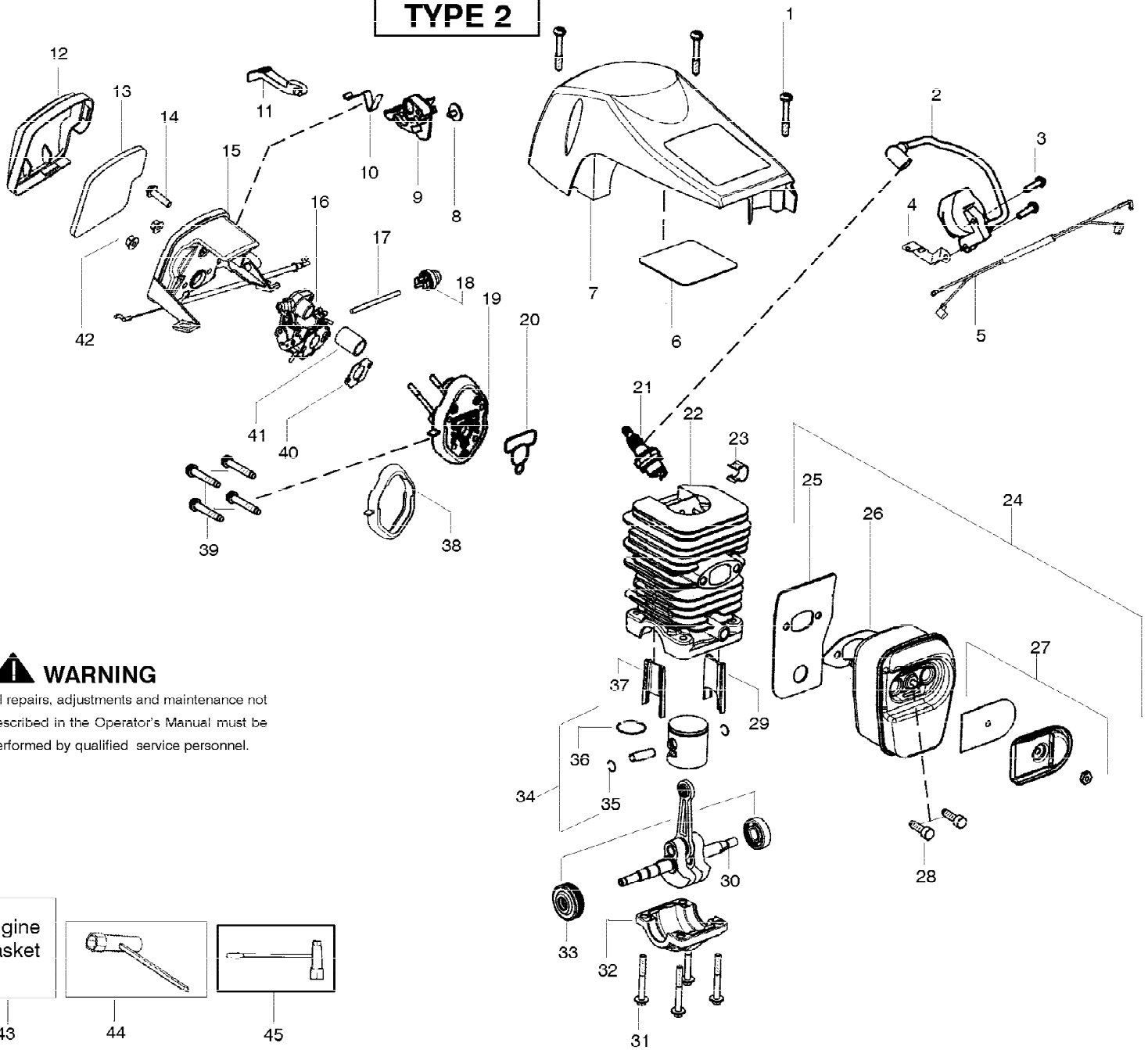


**TYPE 2**

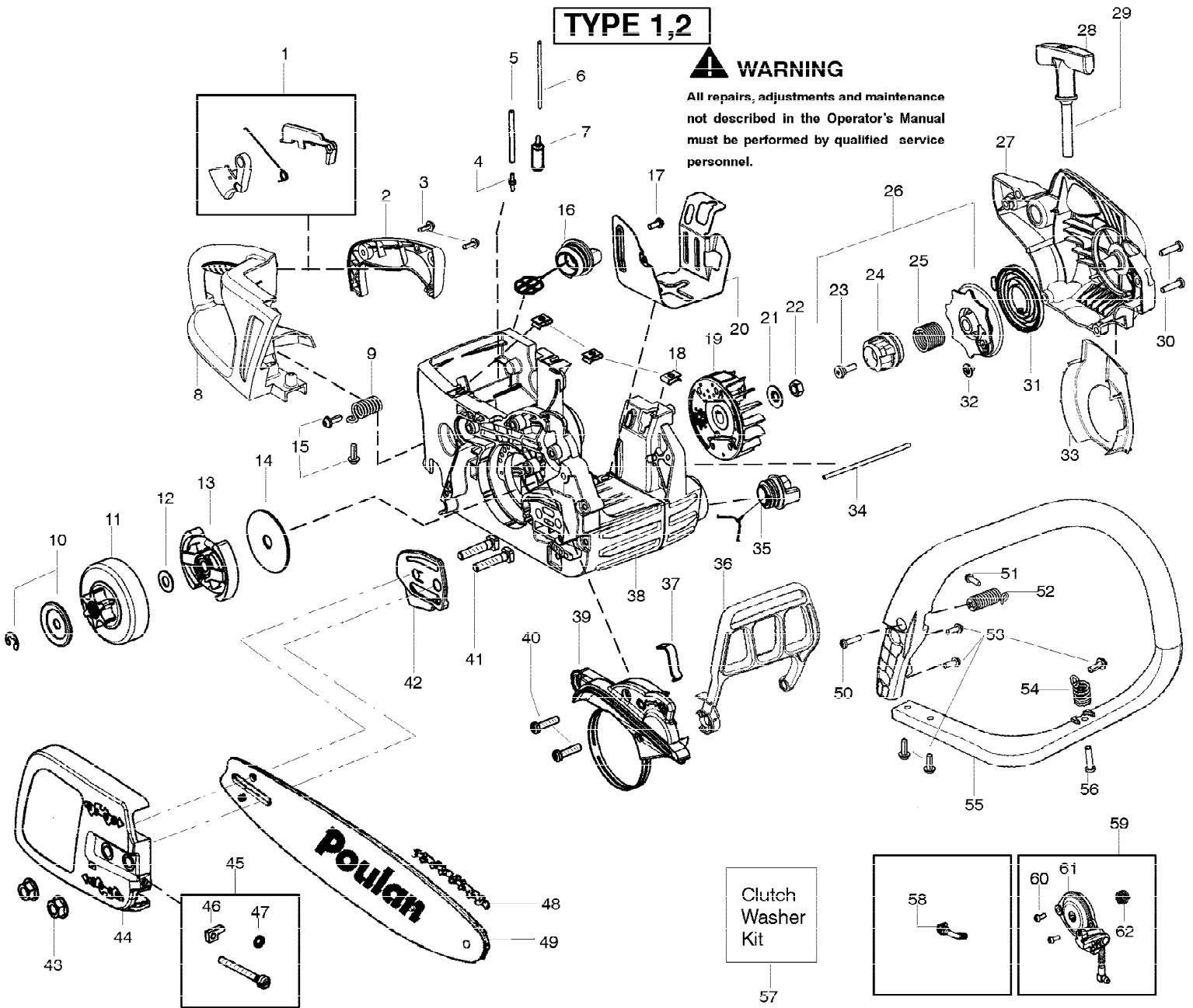


Ref #	Part Number	Qty	S/P/F	Description
1	530016153	1	/P	Screw
2	530039232	1		Module-Ignition
3	530016432	1		Screw
4	530058661	1		Strap-Ground
5	530057943	1		Assy-Wire Harness
6	530055698	1		Reflector-Tape
7	530057872	1		Shield-Cylinder (Incl. 1,6)
8	530016080	1	/P	Screw
9	530057891	1		Lever-Ignition Switch
10	530057908	1		Spring-Ignition Switch
11	530059399	1		Knob-Choke
12	530059001	1		Cover-Air Filter
13	530057869	1		Filter-Air
14	530016425	1		Screw
15	530150029	1	S	Housing-Air Filter w/cable
16	530035590	1	S/P	Carburetor Zama W26
17	530069247	1	/P	Kit-Fuel Line (Small)
18	530047721	1		Bulb-Purge "snap-in"
19	530071889	1	/P	Kit-Carb. Adaptor (Incl. # 20,38,41)
20	530071894	1		Gasket-cyl. o-ring (kit)
21	952030150	1	/P	Accy-Spark Plug (RCJ-7Y)
22	530071884	1		Kit-Cylinder (Incl. 29,37)
23	530058660	1		Clip-High Tension Lead
24	545006007	1	/P	Kit-Muffler (Incl. 25-28)
25	530057942	1		Backplate-Muffler
26	530071894	1		Gasket-Muffler (kit)
27	545006056	1		Kit-Spark Arrestor
28	530016338	1		Bolt-Muffler
29	530057885	1	S	Insert-Left (black) Cyl.
30	530012537	1		Assy-Crankshaft/Rod
31	530016417	1		Bolt
32	530057941	1		Cap-Crankcase
33	530056363	1		Assy-Bearing/Seal
34	530071883	1		Kit-Piston (Incl. 35,36)
35	530015697	1		Retainer-Piston Pin
36	530038729	1		Ring-Piston
37	530057886	1	S	Insert-Right (gray)Cyl.
38	530071894	1		Seal-Adaptor (kit)
39	530016426	1	/P	Screw
40	530071894	1		Gasket-Carb. (kit)
41	530057926	1		Tube-Intake
42	530016101	1		Nut-Carb.
43	530071894	1		Kit-Gasket (Incl 20,26,38,40)
44	530031163	1		Wrench-Bar
45	530031135	1	/P	Scrench
	545137224	1		Manual-Operator Not Shown
	530059905	1		Decal-Warning Not Shown

**TYPE 1,2**

**WARNING**

All repairs, adjustments and maintenance not described in the Operator's Manual must be performed by qualified service personnel.



Ref #	Part Number	Qty	S/P/F	Description
1	530071927	1		Kit-Trigger/Lockout
2	545011902	1		Cover-Handle
3	530016433	1		Screw
4	530023877	1		Fitting-Fuel line
5	530069216	1	/P	Kit-Fuel Line (Large)
6	530069247	1	/P	Kit-Fuel Line (Small)
7	530095646	1	/P	Assy-Fuel Pick Up
8	545012102	1	/P	Handle-Rear
9	530059475	1		Spring-Rear Isolator
10	530071945	1	/P	Kit-Clutch Washer
11	530057905	1		Assy-Clutch Drum 3/8"
12	530071945	1	/P	Kit-Clutch Washer
13	530057907	1		Assy-Clutch
14	530016419	1		Washer-Large Clutch
15	530015906	1		Screw
16	530047192	1	/P	Assy-Fuel Cap w/ret
17	530016064	1	/P	Screw
18	530015922	1		Nut-"U" type speed
19	530039231	1		Assy-Flywheel
20	530057911	1		Shield-Heat
21	530015127	1		Washer-Flywheel
22	530016134	1		Nut-Flywheel
23	530021179	1		Screw-Shoulder
24	530059677	1		Starter Hub-EPS
25	530021180	1		Spring-EPS
26	530071966	1	/P	Kit- EPS Starter Pulley (Incl. 23,24,25,32)
27	545011702	1	/P	Housing-Fan
28	530056402	1	/P	Handle-Starter
29	530069232	1	/P	Kit-Rope
30	530016432	1		Screw
31	530042095	1	S	Spring-Starter
32	530016080	1	/P	Screw
33	530057868	1		Baffle
34	530058786	1		Assy-Oil Vent
35	530057236	1	/P	Assy-Oil Cap w/ret.
36	530057880	1		Handguard
37	530016416	1		Spring-Handguard
38	545011802	1		Assy-Chassis (Incl.4,5,6,7,9,15,16,17,18,20,34,35,37,41,54)
39	530071893	1		Kit-Chainbrake
40	530016432	1		Screw
41	530016133	1		Bolt-Bar
42	530057910	1		Plate-Bar
43	530015917	1		Nut-Bar
44	545012202	1	/P	Assy-Clutch Cover (Incl. # 45)
45	530069611	1		Kit-Bar Adjust (Incl. 46,47)
46	530015826	1	/P	Pin-Bar Adjust
47	530038593	1	/P	Retainer-Bar Adjust
48	952051338	1	/P	Accy-18" Chain
49	952044418	1	/P	Accy-18" Bar
50	530016432	1		Screw
51	530016443	1		Screw
52	530059480	1		Assy-Rear Iso. Spring

Ref #	Part Number	Qty	S/P/F	Description
53	530015906	1		Screw
54	530059479	1		Assy-Front Iso. Spring
55	530057878	1		Handle-Front
56	530016432	1		Screw
57	530071945	1	/P	Kit-Clutch Washer (Incl. 10,12)
58	530057924	1		Assy-Oil Pick Up
59	530071891	1		Kit-Oil Pump (Incl. 60,61,62)
60	530016064	1	/P	Screw
61	530057931	1		Assy-Oil Pump
62	530037820	1		Gear-Worm