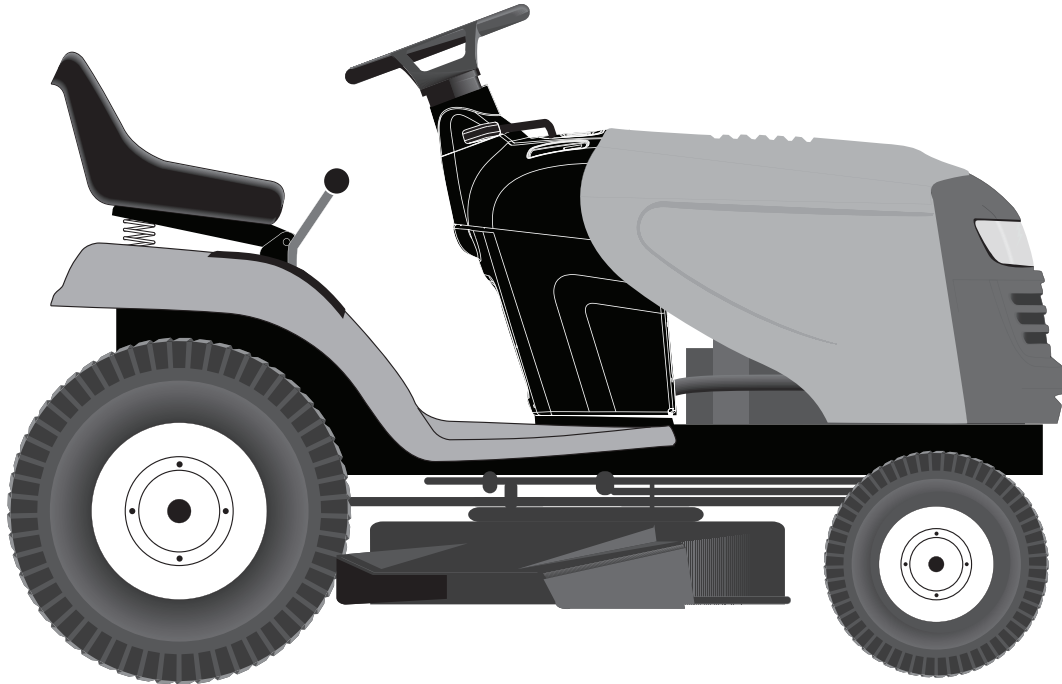


IMPORTANT MANUAL

Do Not Throw Away

Poulan PRO



REPAIR PART'S MANUAL

MODEL:

PB195A42LT

LAWN TRACTOR

ALWAYS WEAR EYE PROTECTION DURING OPERATION

Visit our website: www.poulan-pro.com



WARNING:

Read this Manual and follow all Warnings and Safety Instructions. Failure to do so can result in serious injury.

HOW TO USE THIS MANUAL

This manual is designed to provide the customer with a means to identify the parts on his/her tractor when ordering repair parts. The illustrations may or may not represent the actual assemblies; therefore, it is not recommended to use this manual as a guide to assemble or disassemble the tractor. Some hardware and parts are drawn larger in order to more readily identify them.

Each tractor has its own model number.

The model number for your tractor can be found on the fender under the seat.

When ordering parts, always give the following information:

- Product - "Tractor"
- MODEL NUMBER - "PB195A42LT (96048000400)"
- Part Number
- Part Description

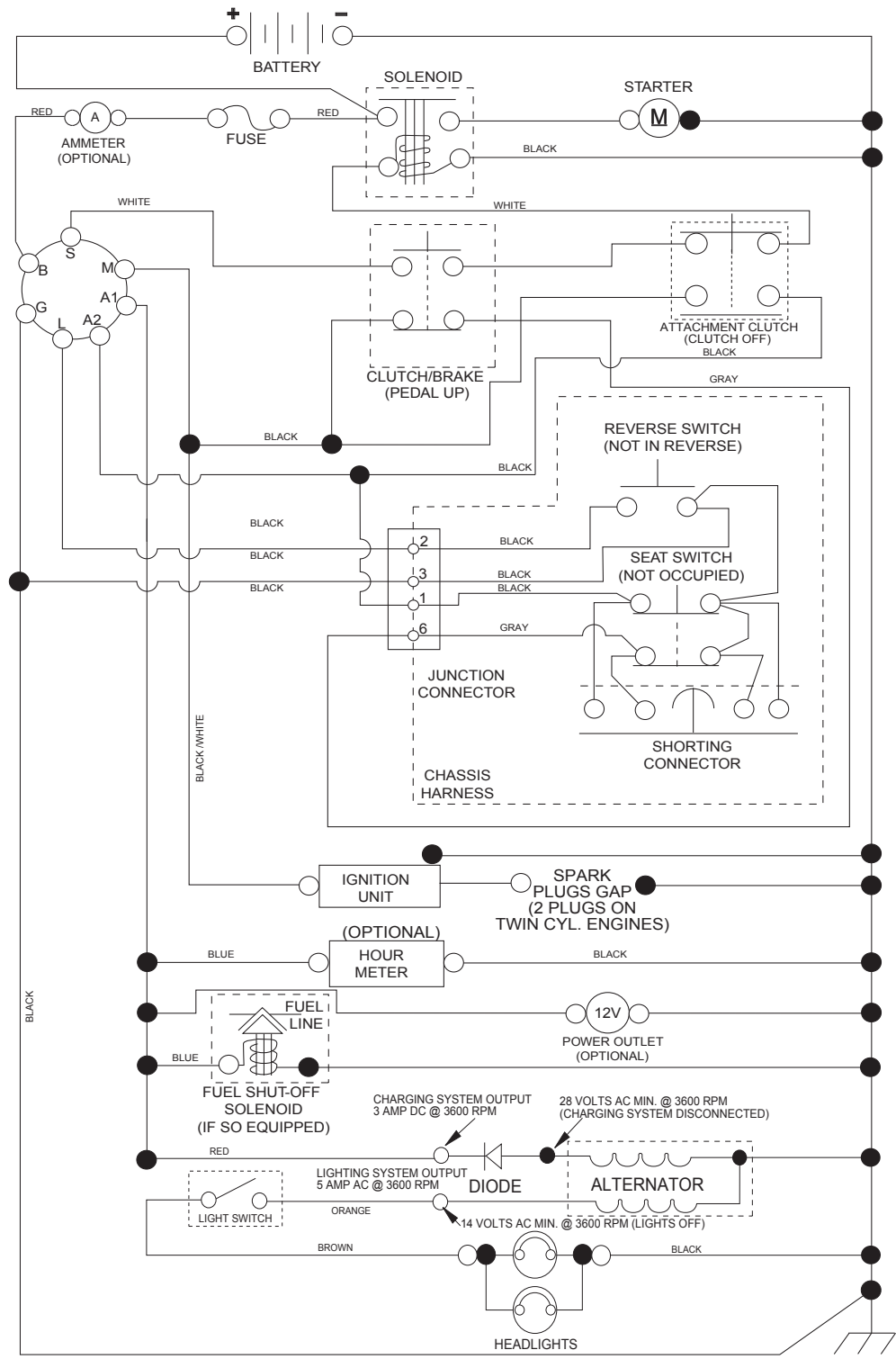
TABLE OF CONTENTS

SCHEMATIC	3
ELECTRICAL.....	4-5
CHASSIS	6-7
DRIVE.....	8-9
ENGINE.....	10-11
STEERING	12-13
MOWER DECK	14-15
MOWER LIFT.....	16
SEAT	17
DECALS.....	18
WARRANTY.....	20

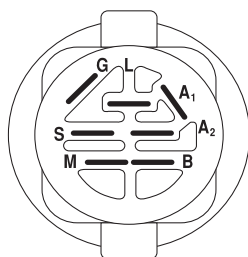
REPAIR PARTS

TRACTOR - - MODEL NUMBER PB195A42LT (96048000400), PRODUCT NO. 960 48 00-04 SCHEMATIC

SCH11

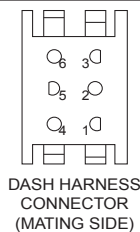
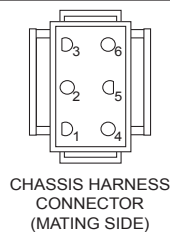


NOTE
YOUR TRACTOR IS EQUIPPED WITH A SPECIAL ALTERNATOR SYSTEM. THE LIGHTS ARE NOT CONNECTED TO THE BATTERY, BUT HAVE THEIR OWN ELECTRICAL SOURCE. BECAUSE OF THIS, THE BRIGHTNESS OF THE LIGHTS WILL CHANGE WITH ENGINE SPEED. AT IDLE THE LIGHTS WILL DIM. AS THE ENGINE IS SPEEDED UP, THE LIGHTS WILL BECOME THEIR BRIGHTEST.

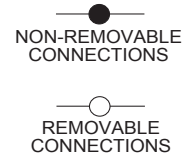


IGNITION SWITCH

POSITION	CIRCUIT "MAKE"
OFF	M+G+A1
RUN/OVERRIDE	B+A1
RUN	B+A1 L+A2
START	B + S + A1

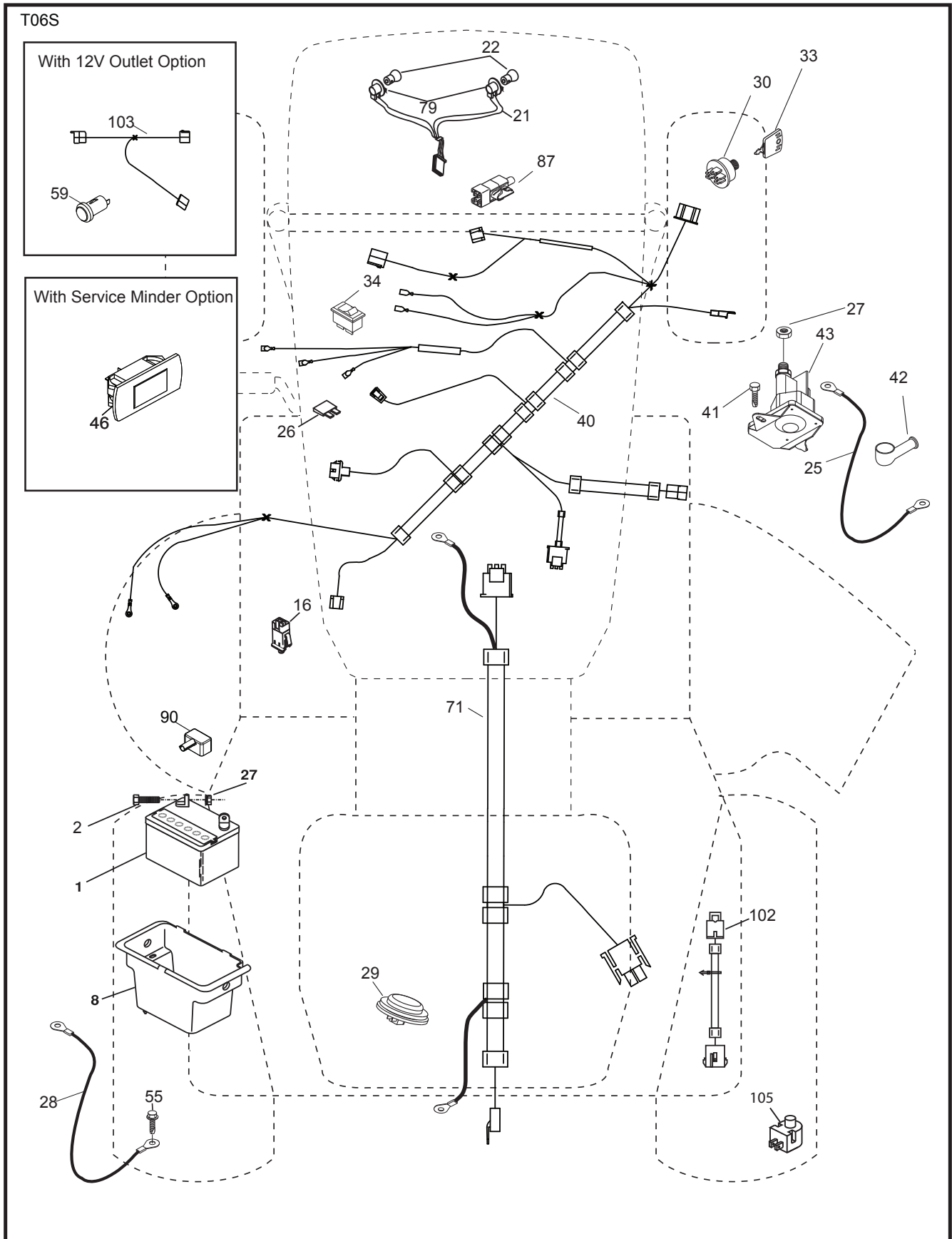


WIRING INSULATED CLIPS
NOTE: IF WIRING INSULATED CLIPS WERE REMOVED FOR SERVICING OF UNIT, THEY SHOULD BE RE-INSTALLED TO PROPERLY SECURE YOUR WIRING.



REPAIR PARTS

TRACTOR - - MODEL NUMBER PB195A42LT (96048000400), PRODUCT NO. 960 48 00-04
ELECTRICAL



REPAIR PARTS

TRACTOR - - MODEL NUMBER PB195A42LT (96048000400), PRODUCT NO. 960 48 00-04
ELECTRICAL

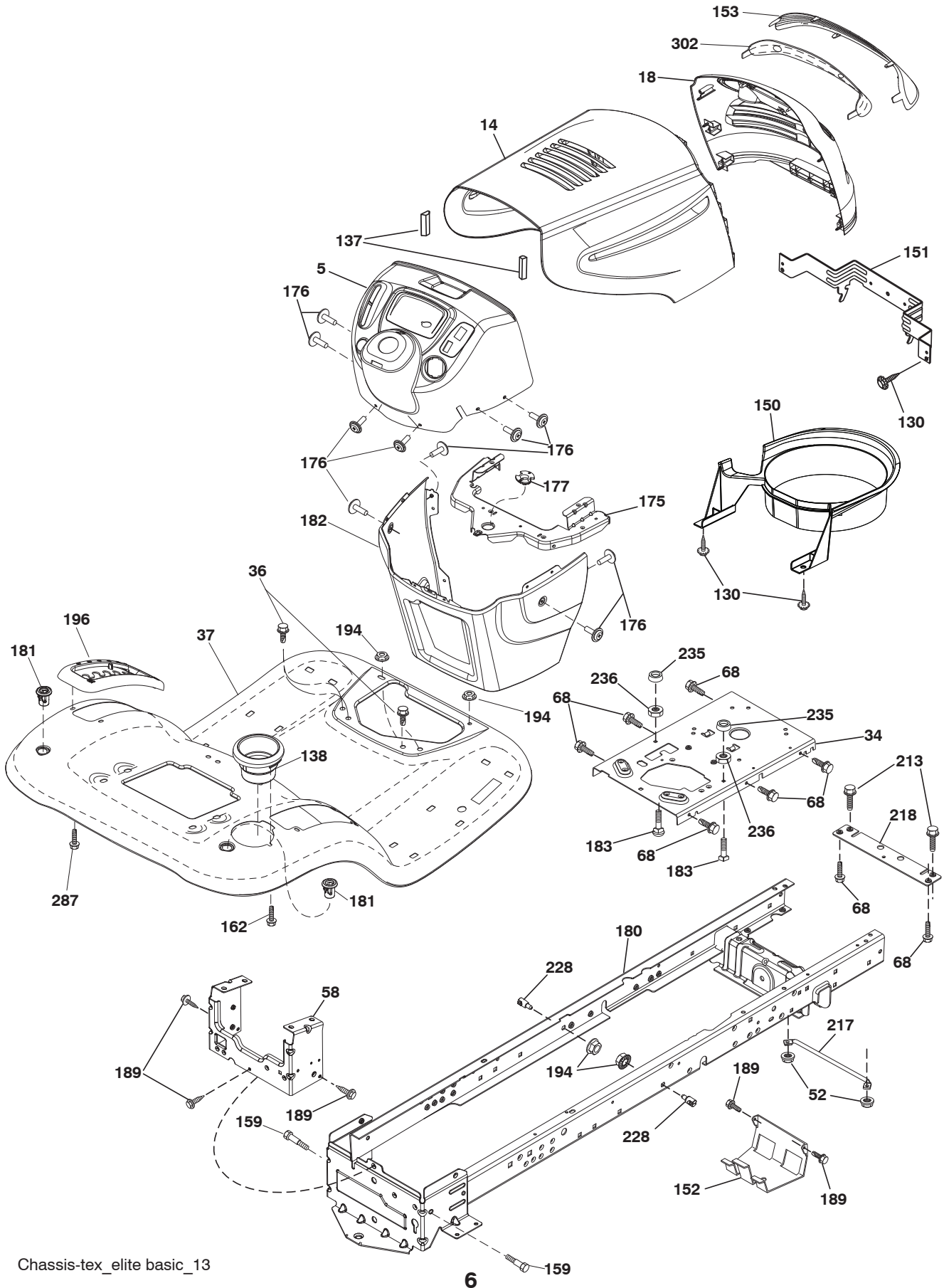
KEY NO.	PART NO.	DESCRIPTION
1	532 16 34-65	Battery
2	874 76 04-12	Bolt Hex Hd 1/4-20 unc x 3/4
8	532 19 32-28	Box Battery
16	532 17 61-38	Switch Interlock
21	532 18 37-59	Harness Socket Light
22	532 00 41-52	Bulb, Light #1156
25	532 41 28-94	Cable Starter 6 Ga. BL/Red 14.5
26	532 17 51-58	Fuse
27	873 51 04-00	Nut Keps Hex 1/4-20 unc
28	532 19 88-85	Cable Ground 18" Rear Battery Blk 6 Ga.
29	532 40 15-45	Switch Seat
30	532 19 33-50	Switch Ign
33	532 41 19-35	Key/Chain
34	532 11 07-12	Switch Light/Reset
40	532 40 10-98	Harness Ign
41	817 72 04-08	Screw 1/4-20 unc x 1/2
42	532 13 15-63	Cover Terminal Red
43	532 19 25-07	Solenoid
55	817 06 05-12	Screw 5/16-18 x 3/4
71	532 40 04-49	Harness Ign. Chass.
79	532 17 52-42	Socket Asm. Bulb
87	532 19 78-02	Switch Interlock Clutch
90	532 43 53-95	Cover Terminal
102	532 41 97-81	Pigtail Rev. GT Vatr.
105	532 40 75-68	Switch Reverse

NOTE: All component dimensions given in U.S. inches
1 inch = 25.4 mm

REPAIR PARTS

TRACTOR - - MODEL NUMBER PB195A42LT (96048000400), PRODUCT NO. 960 48 00-04

CHASSIS



REPAIR PARTS

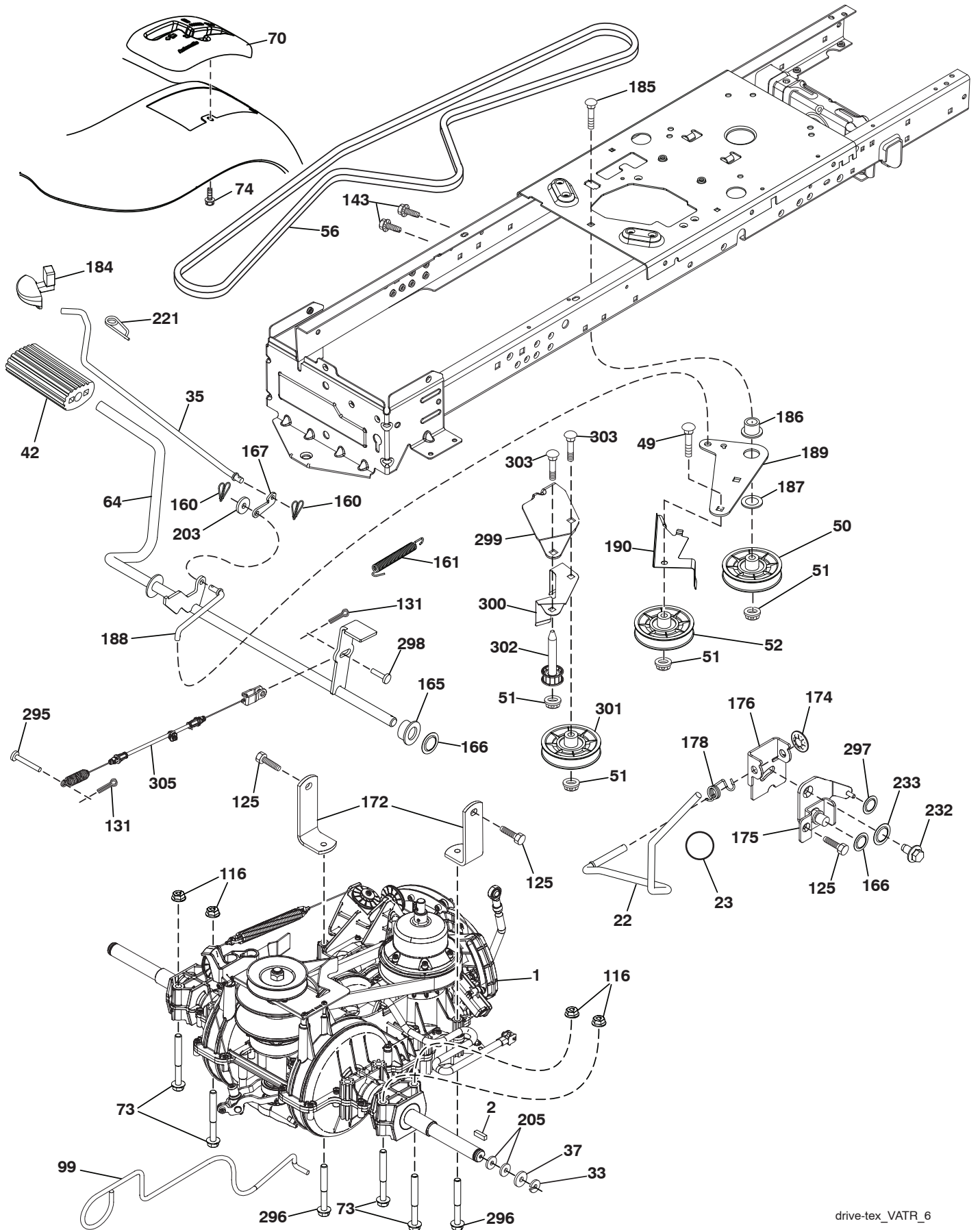
TRACTOR - - MODEL NUMBER PB195A42LT (96048000400), PRODUCT NO. 960 48 00-04
CHASSIS

KEY NO.	PART NO.	DESCRIPTION
5	532 41 17-64	Dash
14	532 18 58-47	Hood
18	532 42 67-92	Grille
34	532 19 61-25	Plate Engine
36	817 06 05-12	Screw 5/16-18 x 3/4
37	532 43 65-23	Fender
52	873 68 05-00	Nut Lock 5/16-18
58	532 41 22-80	Drawbar Upper
68	817 49 05-08	Screw Thdrol 5/16-18 x 1/2
130	532 41 63-58	Screw #10 x 0.750
137	532 18 49-21	Bumper Hood
138	532 40 97-30	Cupholder
150	532 18 44-61	Duct Heat Hood
151	532 40 78-07	Bracket Pivot
152	532 19 95-35	Shield Browning
153	532 18 98-37	Lens Grille
159	817 00 06-12	Screw Hexwsh Thdrol 3/8-16 x 3/4
162	532 14 24-32	Screw Hex Wsh Hi-Lo 1/4 x 1/2
175	532 19 32-43	Crossmember
176	532 40 07-76	Screw 10-24 x 5/8 Wshd Qdrx
177	532 19 52-28	Bushing Steering
180	532 41 50-63	Chassis
181	532 40 47-96	Bushing Mtg. Fender Crgo.
182	532 19 30-57	Dash Lower
183	874 52 05-20	Bolt 5/16-18 x 1-1/4
189	817 00 05-12	Screw 5/16-18 x 3/4
194	873 90 05-00	Nut Lock Hex Flange 5/16-18
196	532 41 45-79	Console Asm. Deck Lift
213	874 76 05-12	Bolt 5/16-18 x 3/4
217	532 40 91-67	Rod Pivot Hood
218	532 19 63-95	X-Piece Hood Step
228	532 19 51-61	Stud Fastener
235	532 40 61-29	Spacer Fender
236	873 93 05-00	Nut Center Lock 5/16-18
287	817 60 04-06	Screw 1/4-20 x 3/8
302	532 18 38-23	Insert Lens Reflective

NOTE: All component dimensions given in U.S. inches
1 inch = 25.4 mm

REPAIR PARTS

TRACTOR - - MODEL NUMBER PB195A42LT (96048000400), PRODUCT NO. 960 48 00-04
DRIVE



REPAIR PARTS

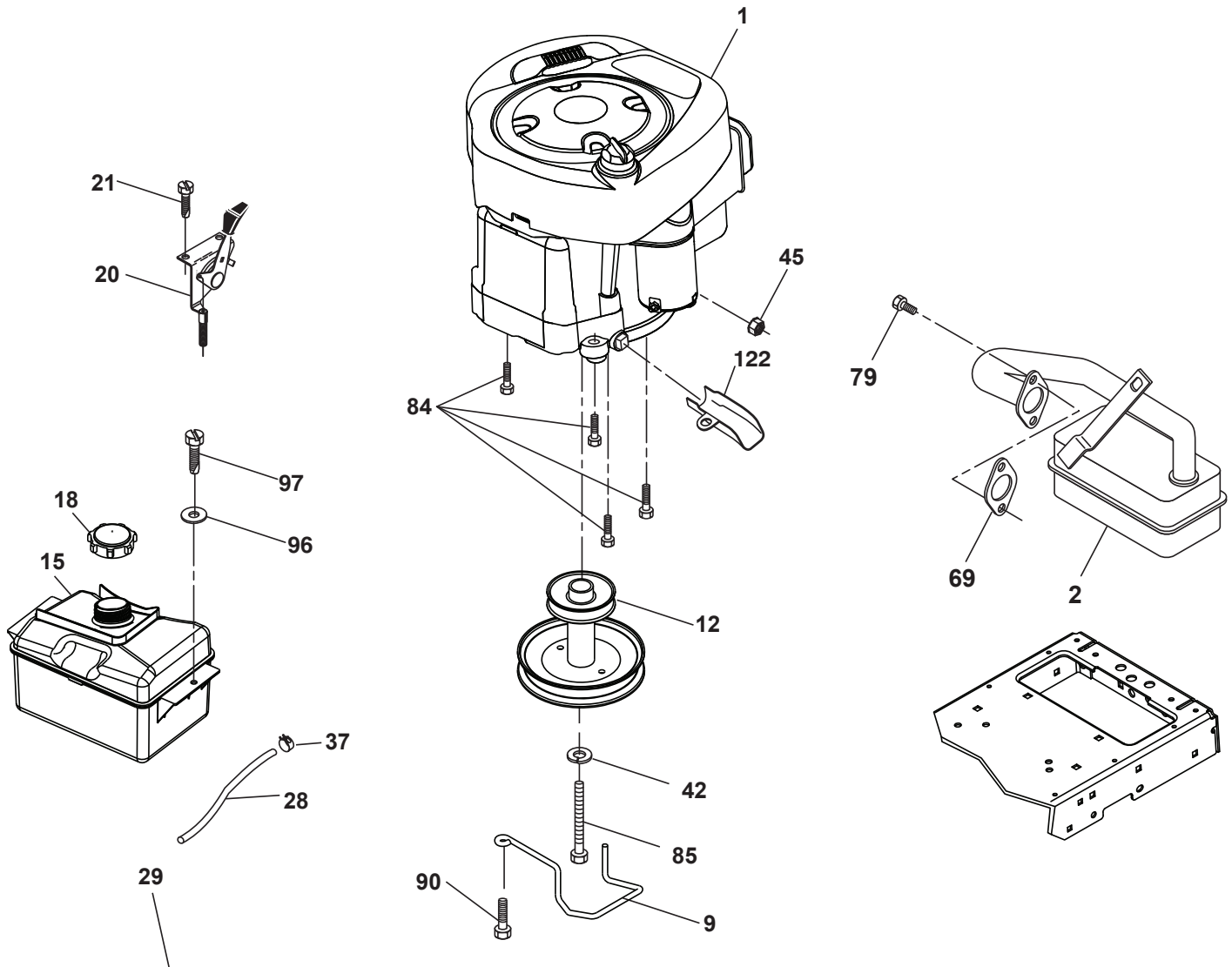
TRACTOR - - MODEL NUMBER PB195A42LT (96048000400), PRODUCT NO. 960 48 00-04
DRIVE

KEY NO.	PART NO.	DESCRIPTION
1	415663	Transmission, Gentrans
2	532 12 35-83	Key.Square .2.0 x .1845/.1865
22	532 42 10-63	Rod Shift
23	532 14 08-45	Knob
33	812 00 00-01	E-Ring. #5133-75
35	532 19 77-22	Rod.Brake.Parking. Lt.Tex
37	532 12 17-49	Washer.25/32 X 1 1/4 x 16 Ga.
42	532 12 48-72	Cover.Pedal.Blk.Round
49	872 11 06-14	Bolt.Rdhd.3/8-16Uncx1-3/4.Gr 5
50	532 19 43-27	Idler.Flat.910"Offset
51	873 90 06-00	Nut, Hex, Flangelock 3/8-16
52	532 19 43-26	Idler.V-Groove.910"Offset
56	532 19 72-53	Belt.Drive.100.97"
64	532 19 62-00	Shaft Asm.Pedal.Brake Control
70	532 44 03-23	Console
73	874 49 05-44	Bolt.Hex.Flghd.5/16-18.Gr.5
74	532 14 24-32	Screw.Hex.Wsh.Hi-Lo.1/4X1/2 unc
99	532 42 73-40	Rod Bypass
116	873 90 05-00	Nut, Lock Hex Flange 5/16-18 unc
125	817 00 05-12	Screw.5/16-18 x 3/4.Smgml.Tap/Bl
131	876 02 03-12	Pin Cotter 3/32/ x 3/4
143	817 49 05-08	Screw.Thdrol.5/16-18 x 1/2 Tytt
160	532 16 94-84	Retainer.Clip(M).Dia.290
161	532 10 57-09	Spring.Return.Clutch.6.75
165	532 19 62-12	Bushing.Shaft.Brake.Hand Contr
166	532 42 91-64	Nut Push .625
167	532 40 52-57	Latch.Brake.Parking
172	532 41 56-64	Strap Torque Lh/Rh
174	532 19 72-89	Nut.Push..500
175	532 41 56-77	Shaft Asm Shift
176	532 19 62-14	Arm.Clevis.Rod.Shift
178	532 19 74-56	Spring.Shift.Gt.2006
184	532 41 12-89	Handle.Parking Brake.Lttex.505
185	872 11 06-22	Bolt.Rdhd.3/8-16Unc x 2-3/4 Gr5
186	532 19 43-21	Spacer.Retainer
187	819 13 32-10	Washer.13/32 x 2 x 10 Ga.
188	532 19 43-23	Link.Clutch.Ground Drive
189	532 19 43-17	Bellcrank.Groundrive.Nstg/Nstl
190	532 19 43-18	Keeper.Bellcrank.Drive.Ground
203	819 11 11-16	Washer 11/32 x 11/16 x 16 Ga.
205	532 12 17-48	Washer.25/32 x 1-5/8 x 16Ga.
221	532 40 31-87	Retainer.Spring.Clip.Handle
232	874 78 07-16	Bolt.Fin Hex.7/16-14 x 1 Gr5
233	532 40 52-96	Washer.Serrated
295	532 42 03-06	Pin Clevis 183 Od x 1.260 Long
296	532 42 04-71	Screw Thdrol 5/16-18 x 3
297	532 42 02-23	Nut Push 1/4
298	532 41 56-94	Pin Clevis Cbl. Brk. Variator
299	532 41 56-83	Bracket Mount Idler
300	532 41 56-81	Keeper Idler Rear
301	532 41 56-80	Pulley Idler V-Groove
302	532 41 56-66	Pulley Idler Flat 2.0 Od
303	872 11 06-18	Bolt Rdhd Sgnk 3/8-16 x 2-1/4
305	532 41 56-92	Cable Brake Variator

NOTE: All component dimensions given in U.S. inches
1 inch = 25.4 mm

REPAIR PARTS

TRACTOR - - MODEL NUMBER PB195A42LT (96048000400), PRODUCT NO. 960 48 00-04
ENGINE



OPTIONAL EQUIPMENT
Spark Arrester

engine-tex_BS_30

REPAIR PARTS

TRACTOR - - MODEL NUMBER PB195A42LT (96048000400), PRODUCT NO. 960 48 00-04
ENGINE

KEY NO.	PART NO.	DESCRIPTION
1	-----	Engine B&S Model No. 31P677-1517-B1
2	532 13 73-52	Muffler
9	532 19 43-19	Keeper Belt Engine
12	532 40 19-85	Pulley Engine
15	532 40 75-45	Tank Fuel 1.50
18	532 43 02-20	Cap Fuel
20	532 17 05-45	Control Throttle/Choke
21	532 41 63-58	Screw #10 x 0.750
28	532 40 11-37	Fuel Line
29	532 13 71-80	Spark Arrester Kit
37	532 12 34-87	Clamp Hose
42	810 04 07-00	Washer Lock 7/16
45	873 51 04-00	Nut Keps Hex 1/4-20 unc
69	532 16 52-91	Gasket
79	532 19 23-34	Screw Socket Hd 5/16-18 x .75
84	817 06 06-20	Screw 3/8-16 x 1-1/4
85	532 17 39-37	Bolt Hex 7/16-20 x 4 x Gr. 5-1.5
90	817 00 06-16	Screw 3/8-16 x 1.0
96	819 09 14-16	Washer 9/32 x 7/8 x 16 Ga.
97	817 67 04-12	Screw 1/4-20 x 3/4
122	532 42 19-22	Extension Drain Oil

NOTE: All component dimensions given in U.S. inches
1 inch = 25.4 mm

For engine service and replacement parts, call the toll free
number for your engine manufacturer listed below:

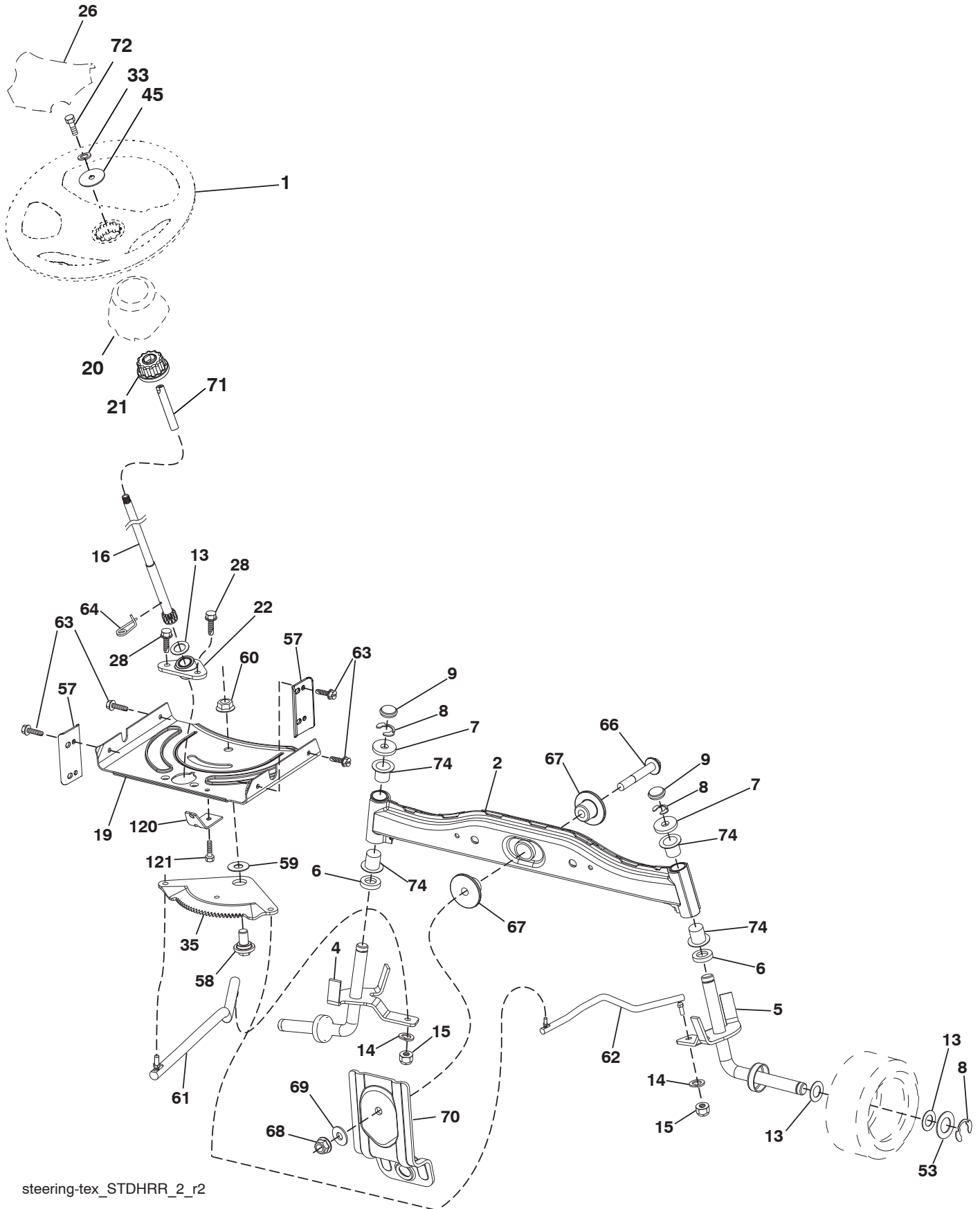
Briggs & Stratton 1-800-233-3723

Engine Power Rating Information

The gross power rating for individual gas engine models is labeled in accordance with SAE (Society of Automotive Engineers) code J1940 (Small Engine Power & Torque Rating Procedure), and rating performance has been obtained and corrected in accordance with SAE J1995 (Revision 2002-05). Torque values are derived at 3060 RPM; horsepower values are derived at 3600 RPM. Actual gross engine power will be lower and is affected by, among other things, ambient operating conditions and engine-to-engine variability. Given both the wide array of products on which engines are placed and the variety of environmental issues applicable to operating the equipment, the gas engine will not develop the rated gross power when used in a given piece of power equipment (actual "on-site" or net power). This difference is due to a variety of factors including, but not limited to, accessories (air cleaner, exhaust, charging, cooling, carburetor, fuel pump, etc.), application limitations, ambient operating conditions (temperature, humidity, altitude), and engine-to-engine variability. Due to manufacturing and capacity limitations, Briggs & Stratton may substitute an engine of higher rated power for this Series engine.

REPAIR PARTS

TRACTOR - - MODEL NUMBER PB195A42LT (96048000400), PRODUCT NO. 960 48 00-04
STEERING



steering-tex_STDHRR_2_r2

REPAIR PARTS

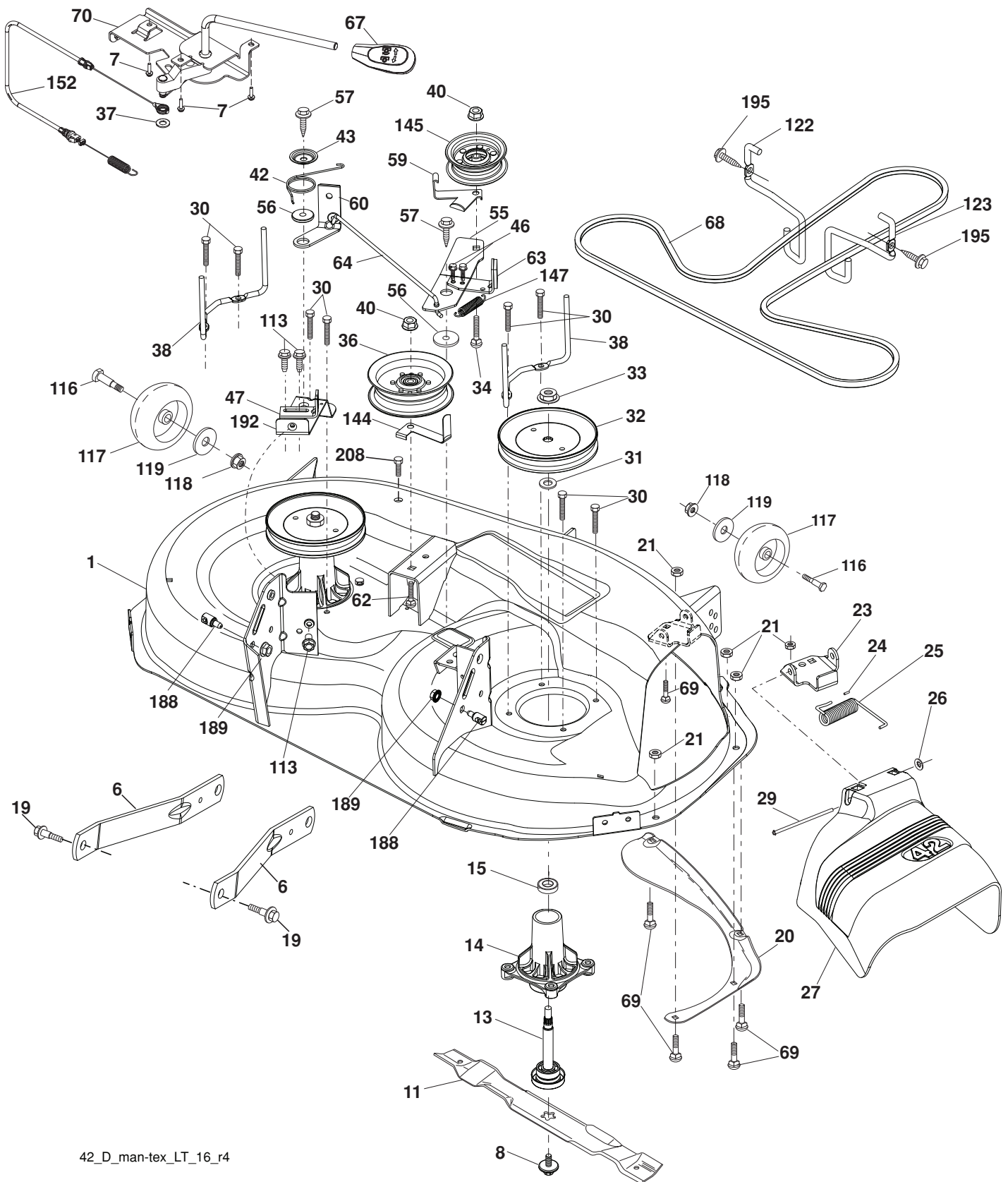
TRACTOR - - MODEL NUMBER PB195A42LT (96048000400), PRODUCT NO. 960 48 00-04
STEERING

KEY NO.	PART NO.	DESCRIPTION
1	532 42 46-17	Wheel, Steering
2	532 41 81-68	Axle Asm., Front
4	532 40 30-87	Spindle Asm., LH
5	532 40 30-88	Spindle Asm., RH
6	532 12 49-31	Washer Thrust 0.75 x 1.23
7	532 12 17-48	Washer 25/32 x 1-5/8 x 16 Ga.
8	812 00 00-29	Ring, Clip #T5304-75
9	532 12 12-32	Cap, Spindle
13	532 12 17-49	Washer 25/32 x 1-1/4 x 16 Ga.
14	810 04 06-00	Washer Lock 3/8
15	873 54 06-00	Nut, Crown Lock 3/8-24 unf
16	532 42 93-74	Shaft Steering
19	532 19 47-29	Plate Steering
20	532 41 12-91	Boot, Steering
21	532 18 67-37	Adapter, Wheel Steering
22	532 42 05-37	Strg. Supt. Lower
26	532 42 45-53	Insert, Wheel Steering
28	817 00 06-12	Screw 3/8-16 x 3/4
33	810 04 05-00	Washer Lock 5/16
35	532 19 47-32	Gear, Sector Plate
45	819 11 38-12	Washer 11/32 x 2-3/8 x 12 Ga.
53	532 18 89-67	Washer Hardened .793 x 1.637 x .060
57	532 40 74-65	Bracket Upstop
58	532 19 47-47	Bolt Shoulder Sector Pivot CFM
59	532 19 47-48	Washer Thrust Sector Steering
60	873 97 10-00	Nut Flange Lock 5/8-11
61	532 19 47-40	Draglink, LH
62	532 19 47-41	Draglink, RH
63	817 00 05-12	Screw 5/16-18 x 3/4
64	532 19 98-49	Retainer Clip Spring Steering
66	871 02 07-48	Bolt Hex Fghd 7/16-14 x 3 Serr
67	532 19 47-37	Bushing PM Front Axle
68	873 90 07-00	Nut Lock Flange 7/16-14 Gr. 5
69	532 19 91-62	Washer 1.5 x .505 x .118
70	532 19 61-97	Bracket Deck Susp. Front
71	532 19 07-52	Shaft Ext. Steering
72	532 42 89-82	Bolt 5/16-18 x 4 W/Patch
74	532 12 49-37	Bearing
120	532 41 56-89	Bracket Locator
121	817 49 05-08	Screw 5/16-18 x 1/2

NOTE: All component dimensions given in U.S. inches
1 inch = 25.4 mm

REPAIR PARTS

TRACTOR - - MODEL NUMBER PB195A42LT (96048000400), PRODUCT NO. 960 48 00-04
MOWER DECK



42_D_man-tex_LT_16_r4

REPAIR PARTS

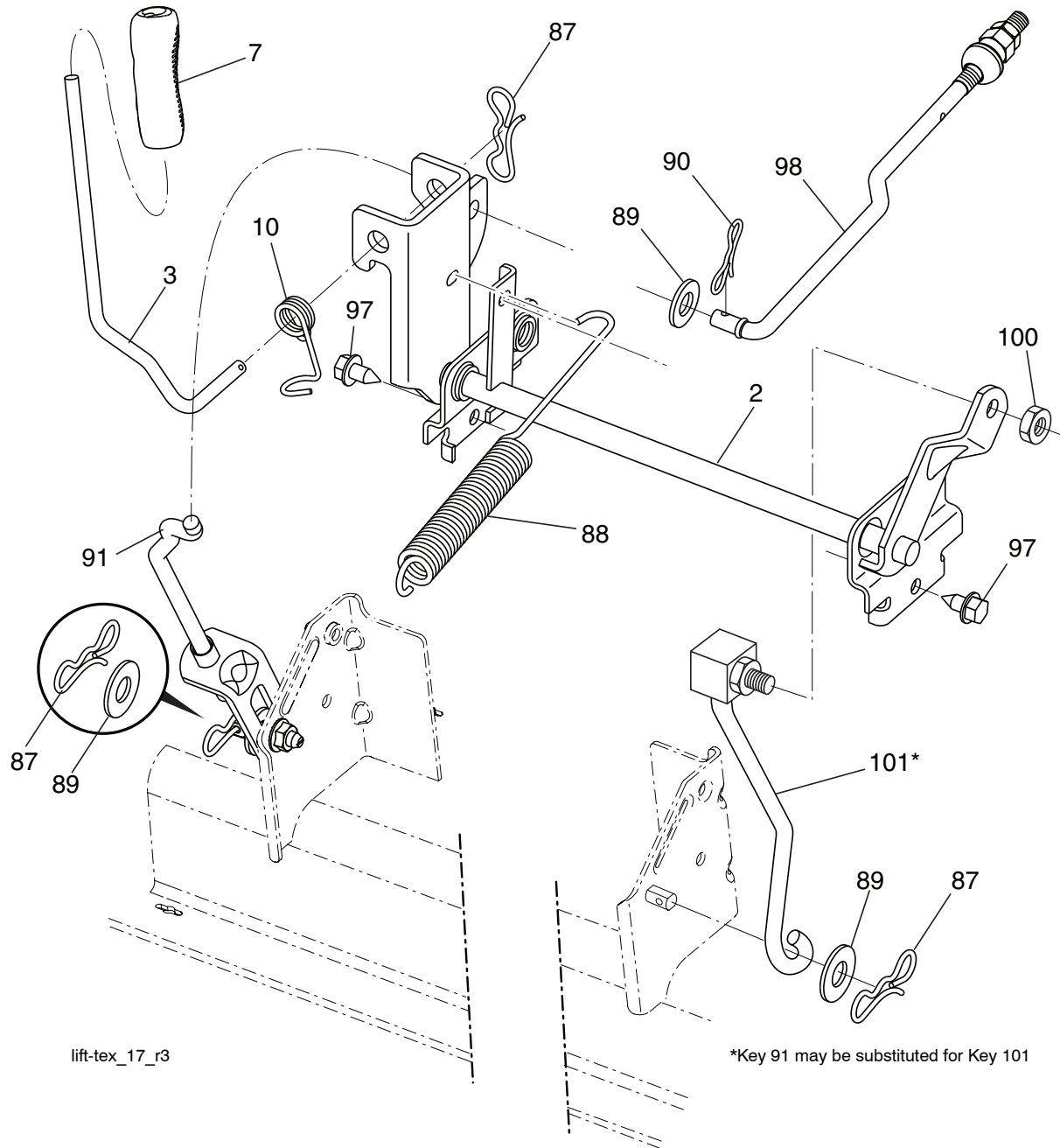
TRACTOR - - MODEL NUMBER PB195A42LT (96048000400), PRODUCT NO. 960 48 00-04
MOWER DECK

KEY NO.	PART NO.	DESCRIPTION	KEY NO.	PART NO.	DESCRIPTION
1	532 19 99-11	Mower Housing	56	532 19 90-92	Spacer, Retainer
6	532 19 51-86	Arm Suspension	57	817 00 06-16	Screw Hexwsh Thd 3/8-16 x 1
7	532 41 63-58	Screw #10 x 0.750 BOS Thread	59	532 14 10-43	Guard, Tuv Idler (94)
8	532 19 30-03	Bolt/Washer Asm 7/16-20 unf	60	532 19 72-61	Arm Brake Mower
11	532 13 89-71	Blade, 42" Hi-Lift (For bagging or discharge)	62	872 11 06-16	Bolt Rdhd Sqnk 3/8-16 unc x 2
--	532 13 97-75	Blade, 42" Mulching Premium (For better wear when mulching)	63	532 19 94-77	Arm Brake Mower
--	532 13 41-49	Blade, 42" Mulching Std (For mulching mowers only)	64	532 19 97-90	Linkage Brake
--	532 42 47-52	Blade 42SP" 3N1	67	532 40 30-12	Handle, Clutch Cable
--	532 42 27-19	Blade 42SP" Premium	68	532 42 96-36	V-Belt
13	532 19 28-72	Shaft Assembly, Mandrel	69	872 14 05-05	Bolt Rdhd Sqnk 5/16-18 x 5/8
14	532 18 72-81	Housing, Mandrel	70	532 19 83-32	Clutch Asm. Manual
15	532 11 04-85	Bearing, Ball, Mandrel	113	817 00 05-10	Screw 5/16-18
19	532 19 65-39	Bolt, Shoulder	116	532 12 48-42	Bolt Shoulder
20	532 15 97-70	Baffle, Vortex	117	532 18 86-06	Wheel Gage
21	873 68 05-00	Nut, Crownlock 5/16-18 unc	118	873 93 06-00	Nut Centerlock 3/8-16 unc
23	532 19 25-57	Bracket, Deflector	119	819 12 14-14	Washer 3/8 x 7/8 x 14 Ga.
24	532 10 53-04	Cap, Sleeve	122	532 19 72-58	Keeper Belt Eng. LH
25	532 19 70-26	Spring, Torsion, Deflector	123	532 19 72-59	Keeper Belt Eng. RH
26	532 11 04-52	Nut, Push	144	532 19 92-04	Keeper Belt
27	532 40 30-04	Shield, Deflector	145	532 19 31-97	Pulley Idler Primary
29	532 13 14-91	Rod, Hinge	147	532 40 19-71	Spring Return
30	532 17 39-84	Screw Thdrol Rolling Wsh Hd	152	532 43 51-11	Cable Clutch Manual w/Spr.
31	532 18 76-90	Washer, Spacer	188	532 19 51-61	Stud Fastener
32	532 19 74-73	Pulley, Mandrel	189	873 90 05-00	Nut Lock Hex Flange
33	532 40 02-34	Nut, Toplock, Flanged	192	532 19 72-60	Bracket Brake Stand LH
34	872 11 06-12	Bolt Carr Sh. 3/8-16 x 1-1/2 Gr. 5	195	817 00 06-12	Screw Hexwsh Thdr 3/8-16 x 3/4
36	532 19 73-79	Pulley, Idler 4.50 RAW	208	817 67 06-08	Screw THDROL 3/8-16 x 1/2
37	819 13 13-16	Washer 13/32 x 13/16 x 16 Ga.	--	532 19 28-70	Mandrel Assembly (Includes housing, shaft assembly, and bearing only - pulley/nut/washer and blade bolt/washers not included)
38	532 43 25-20	Keeper Belt Mandrel	--	532 41 52-41	Replacement Mower, Complete
40	873 90 06-00	Nut, Lock Flg. 3/8-16 unc			
42	532 19 84-10	Spring Torsion Brake			
43	532 19 72-56	Spring Torsion Retainer			
46	532 13 77-29	Screw Thd Roll 1/4-20 x 5/8			
47	532 19 72-50	Bracket Clutch Cable			
55	532 43 71-10	Arm, Idler			

NOTE: All component dimensions given in U.S. inches
1 inch = 25.4 mm

REPAIR PARTS

TRACTOR - - MODEL NUMBER PB195A42LT (96048000400), PRODUCT NO. 960 48 00-04
MOWER LIFT



lift-tex_17_r3

*Key 91 may be substituted for Key 101

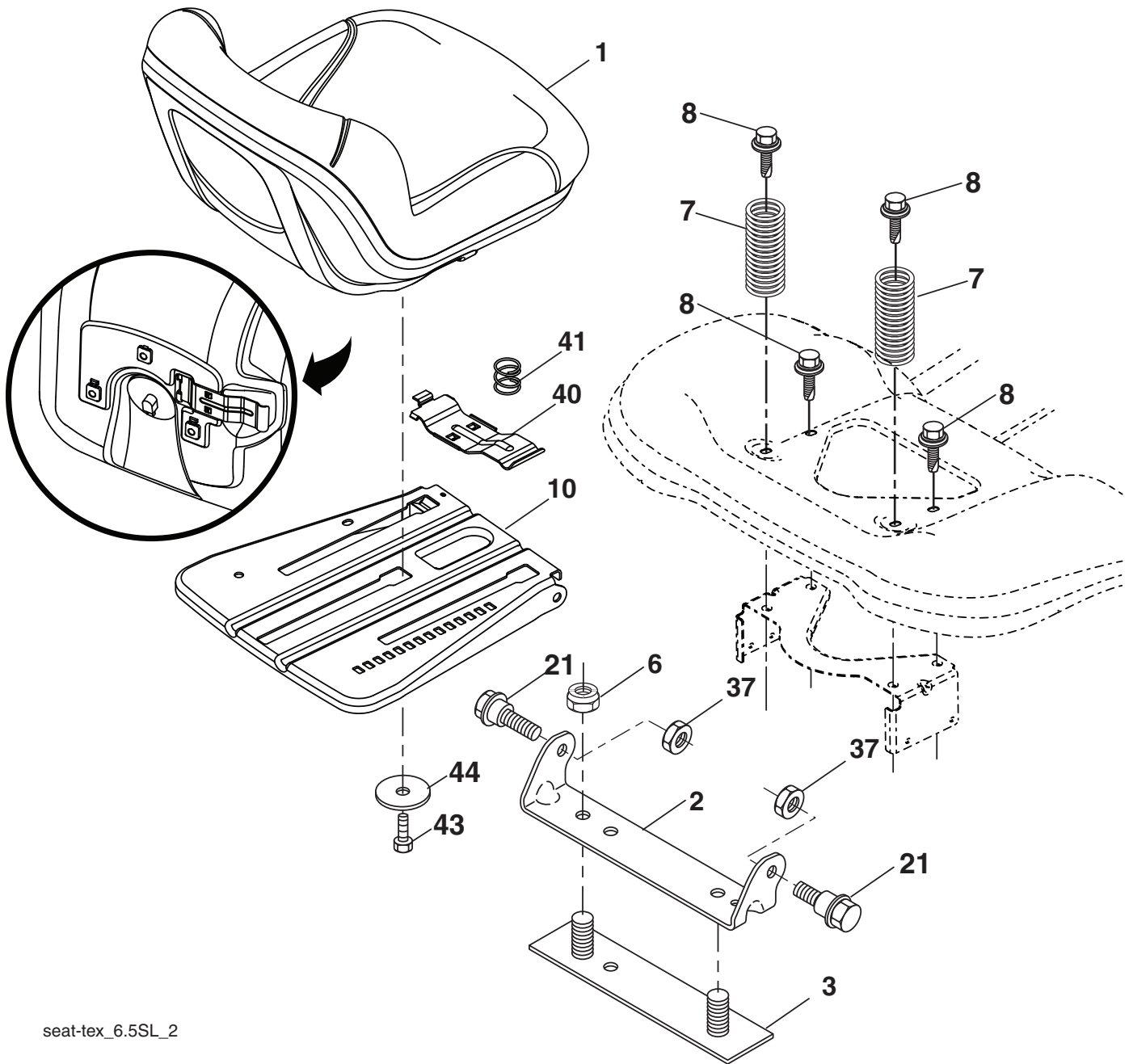
KEY NO.	PART NO.	DESCRIPTION
2	532 42 20-27	Shaft Asm., Cross Lift
3	532 19 52-31	Lever Asm., Lift RH
7	532 41 15-55	Grip, Lever
10	532 19 63-14	Spring Torsion
87	532 19 42-09	Pin Cotter 7/16 Bow Tie Lock
88	532 41 07-10	Spring Lift Assist
89	819 19 19-12	Washer Clear Zinc
90	532 19 42-08	Pin Cotter 5/16 Bow Tie Lock

KEY NO.	PART NO.	DESCRIPTION
91	532 19 51-81	Link Lift Susp Mower Rear
97	817 00 06-12	Screw 3/8-16 x .75 Smgml Tap/R.Z
98	532 19 52-70	Link Lift Susp. Front Mower
100	873 93 06-00	Nut Centerlock 3/8 -16 unc
101	532 40 70-03	Link Asm. Lift Fixed

NOTE: All component dimensions given in U.S. inches
1 inch = 25.4 mm

REPAIR PARTS

TRACTOR - - MODEL NUMBER PB195A42LT (96048000400), PRODUCT NO. 960 48 00-04 SEAT



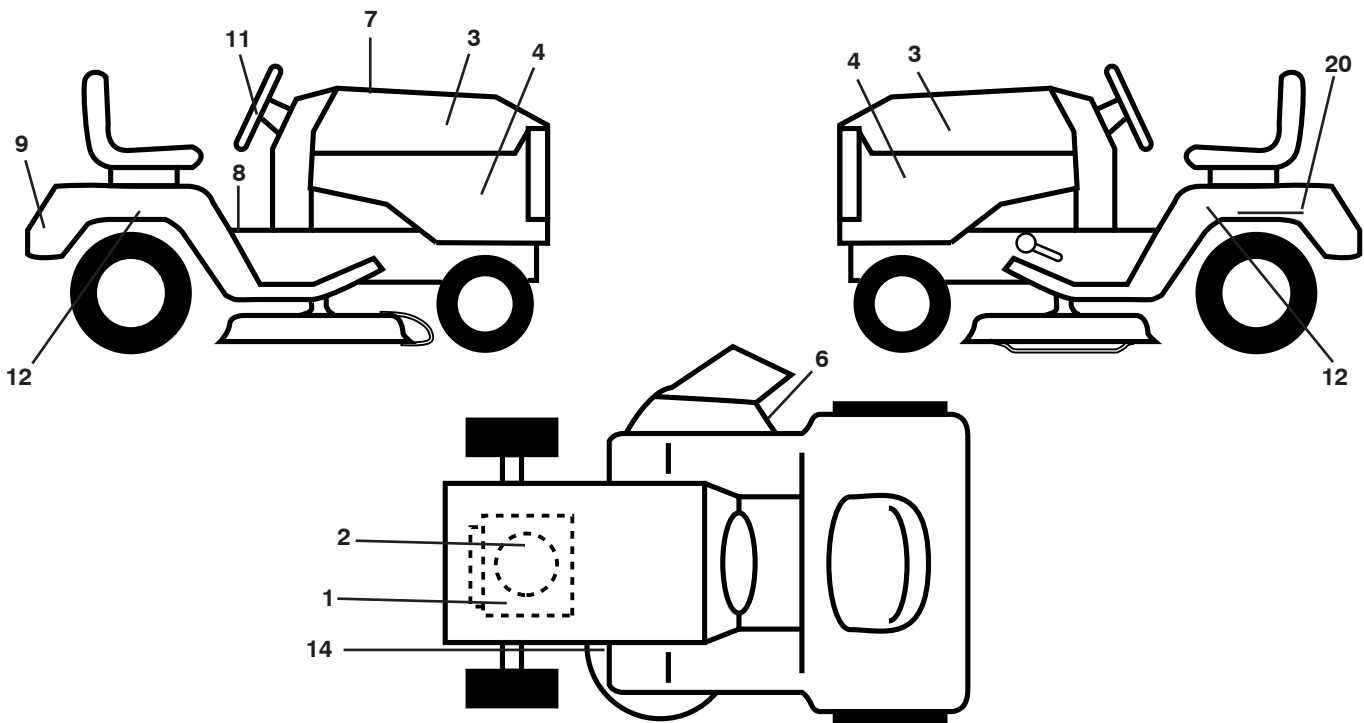
seat-tex_6.5SL_2

KEY NO.	PART NO.	DESCRIPTION	KEY NO.	PART NO.	DESCRIPTION
1	532 19 75-14	Seat	37	873 80 05-00	Nut, Lock 5/16-18 unc
2	532 18 01-66	Bracket Pivot Fender	40	532 19 76-61	Handle Slide
3	532 14 06-75	Strap, Asm Fender	41	532 19 82-00	Spring Latch
6	873 80 06-00	Nut, Lock w/Ins. 3/8-16 unc	43	874 76 06-12	Bolt 3/8-16 unc x 3/4
7	532 12 41-81	Spring, Seat Cprsn	44	819 13 38-12	Washer 13/32 x 2 3/8 x 12 Ga.
8	532 17 18-77	Bolt 5/16-18 unc x 3/4 w/Sems			
10	532 19 69-77	Pan, Seat			
21	532 17 18-52	Bolt, Shoulder 5/16-18			

NOTE: All component dimensions given in U.S. inches
1 inch = 25.4 mm

REPAIR PARTS

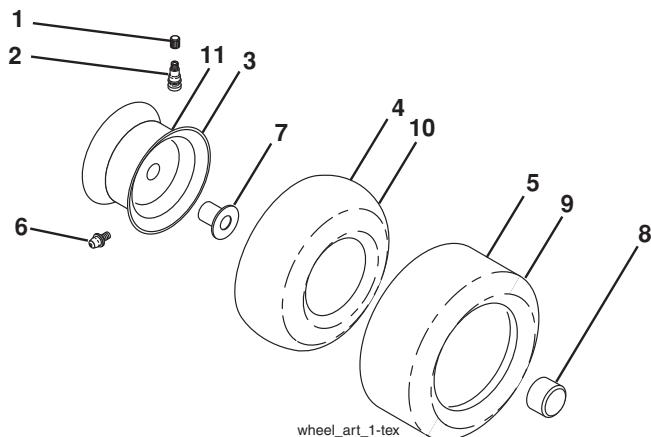
TRACTOR - - MODEL NUMBER PB195A42LT (96048000400), PRODUCT NO. 960 48 00-04



KEY NO.	PART NO.	DESCRIPTION
1	532 43 52-86	Decal, Warn Spark
2	532 42 95-55	Decal Eng. H.P.
3	532 43 01-13	Decal Hood
4	532 43 90-74	Decal Side Panel Logo
6	532 17 05-63	Decal Warning, Keep Hand Away
7	532 43 88-05	Decal Replacement Parts
8	532 41 16-58	Decal Fender Warn S/F
9	532 43 01-12	Decal Fender Logo

KEY NO.	PART NO.	DESCRIPTION
11	532 43 01-11	Decal Ins Strg Whl
12	532 43 90-61	Decal Fend SD
14	532 16 03-96	Decal V-Belt Schematic
20	532 14 50-05	Decal Bat Dan/Psn
--	532 16 69-60	Decal Bypass
--	532 40 95-05	Pad Footrest LH
--	532 41 12-73	Pad Footrest RH
--	532 43 88-82	Manual Operator's (English/French)
--	532 43 88-83	Manual Parts (English/French)

WHEELS AND TIRES



KEY NO.	PART NO.	DESCRIPTION
1	532 05 91-92	Cap Valve Tire
2	532 06 51-39	Stem Valve
3	532 10 67-32	Rim Asm 6" Front
4	532 05 99-04	Tube Front (Service Item Only)
5	532 10 62-22	Tire F T 15 x 6 0 - 6
6	532 12 49-57	Fitting Grease (Front Wheel Only)
7	532 12 49-59	Bearing Flange (Front Wheel Only)
8	532 17 50-39	Cap Axle
9	532 42 05-31	Tire R T 18 x 9.5-8C Turf Saver LT
10	532 12 49-26	Tube Rear (Service Item Only)
11	532 10 61-08	Rim Asm 8" Rear Service
--	532 14 43-34	Sealant, Tire (Not Shown)

NOTE: All component dimensions given in U.S. inches
1 inch = 25.4 mm

SERVICE NOTES

LIMITED WARRANTY

The Manufacturer warrants to the original consumer purchaser that this product as manufactured is free from defects in materials and workmanship. For a period of two (2) years from date of purchase by the original consumer purchaser, we will repair or replace, at our option, without charge for parts or labor incurred in replacing parts, any part which we find to be defective due to materials or workmanship. This Warranty is subject to the following limitations and exclusions.

1. This warranty does not apply to the engine, transaxle/transmission components, battery (except as noted below) or components parts thereof. Please refer to the applicable manufacturer's warranty on these items.
2. Transportation charges for the movement of any power equipment unit or attachment are the responsibility of the purchaser. Transportation charges for any parts submitted for replacement under this warranty must be paid by the purchaser unless such return is requested by the manufacturer.
3. Battery Warranty: On products equipped with a Battery, we will replace, without charge to you, any battery which we find to be defective in manufacture, during the first ninety (90) days of ownership. After ninety (90) days, we will exchange the Battery, charging you 1/12 of the price of a new Battery for each full month from the date of the original sale. Battery must be maintained in accordance with the instructions furnished.
4. The Warranty period for any products used for rental or commercial purposes is limited to 90 days from the date of original purchase.
5. This Warranty applies only to products which have been properly assembled, adjusted, operated, and maintained in accordance with the instructions furnished. This Warranty does not apply to any product which has been subjected to alteration, misuse, abuse, improper assembly or installation, delivery damage, or to normal wear of the product.
6. Exclusions: Excluded from this Warranty are belts, blades, blade adapters, normal wear, normal adjustments, standard hardware and normal maintenance.
7. In the event you have a claim under this Warranty, you must return the product to an authorized service dealer.

Should you have any unanswered questions concerning this Warranty, please contact:

HOP
Outdoor Products Customer Service Dept.
9335 Harris Corners Parkway
Charlotte, NC 28269 USA

In Canada contact:
HOP
5855 Terry Fox Way
Mississauga, Ontario
L5V 3E4

giving the model number, serial number and date of purchase of your product and the name and address of the authorized dealer from whom it was purchased.

THIS WARRANTY DOES NOT APPLY TO INCIDENTAL OR CONSEQUENTIAL DAMAGES AND ANY IMPLIED WARRANTIES ARE LIMITED TO THE SAME TIME PERIODS STATED HEREIN FOR OUR EXPRESSED WARRANTIES. Some areas do not allow the limitation of consequential damages or limitations of how long an implied Warranty may last, so the above limitations or exclusions may not apply to you. This Warranty gives you specific legal rights, and you may have other rights which vary from locale to locale.

This is a limited Warranty within the meaning of that term as defined in the Magnuson-Moss Act of 1975.