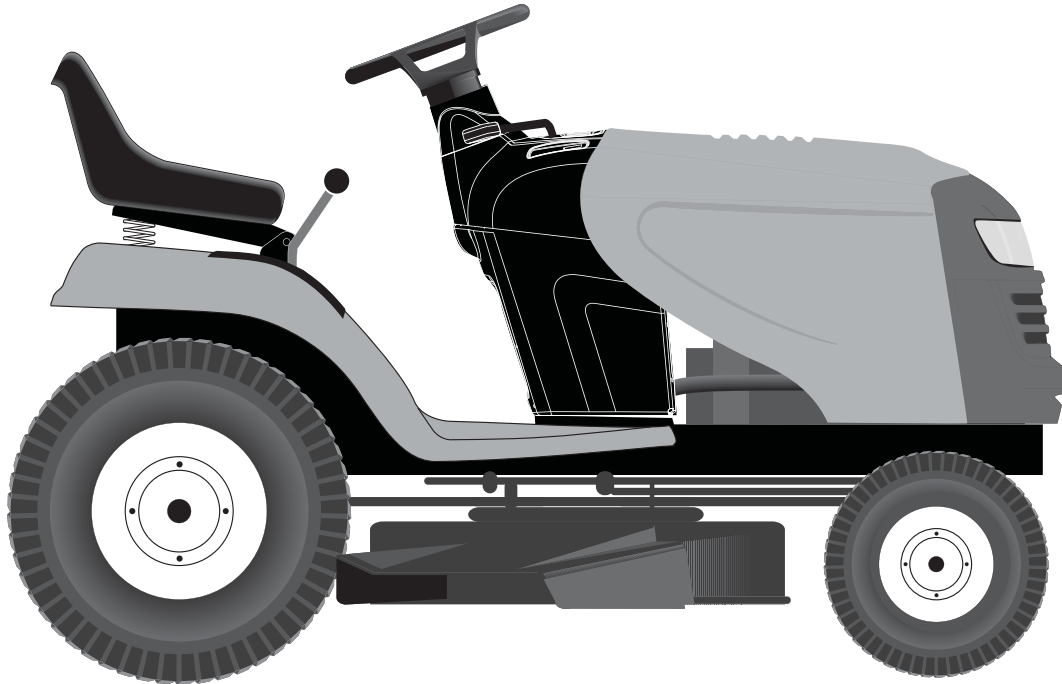


IMPORTANT MANUAL

Do Not Throw Away

Poulan PRO



REPAIR PART'S MANUAL

MODEL:

PB20A42LT

LAWN TRACTOR

ALWAYS WEAR EYE PROTECTION DURING OPERATION

Visit our website: www.poulanpro.com



WARNING:

Read this Manual and follow all Warnings and Safety Instructions. Failure to do so can result in serious injury.

532 44 83-75

01.30.12 BD
Printed in the U.S.A.

HOW TO USE THIS MANUAL

This manual is designed to provide the customer with a means to identify the parts on his/her tractor when ordering repair parts. The illustrations may or may not represent the actual assemblies; therefore, it is not recommended to use this manual as a guide to assemble or disassemble the tractor. Some hardware and parts are drawn larger in order to more readily identify them.

Each tractor has its own model number.

The model number for your tractor can be found on the fender under the seat.

When ordering parts, always give the following information:

- Product - "Tractor"
- MODEL NUMBER - "PB20A42LT (96048002500)"
- Part Number
- Part Description

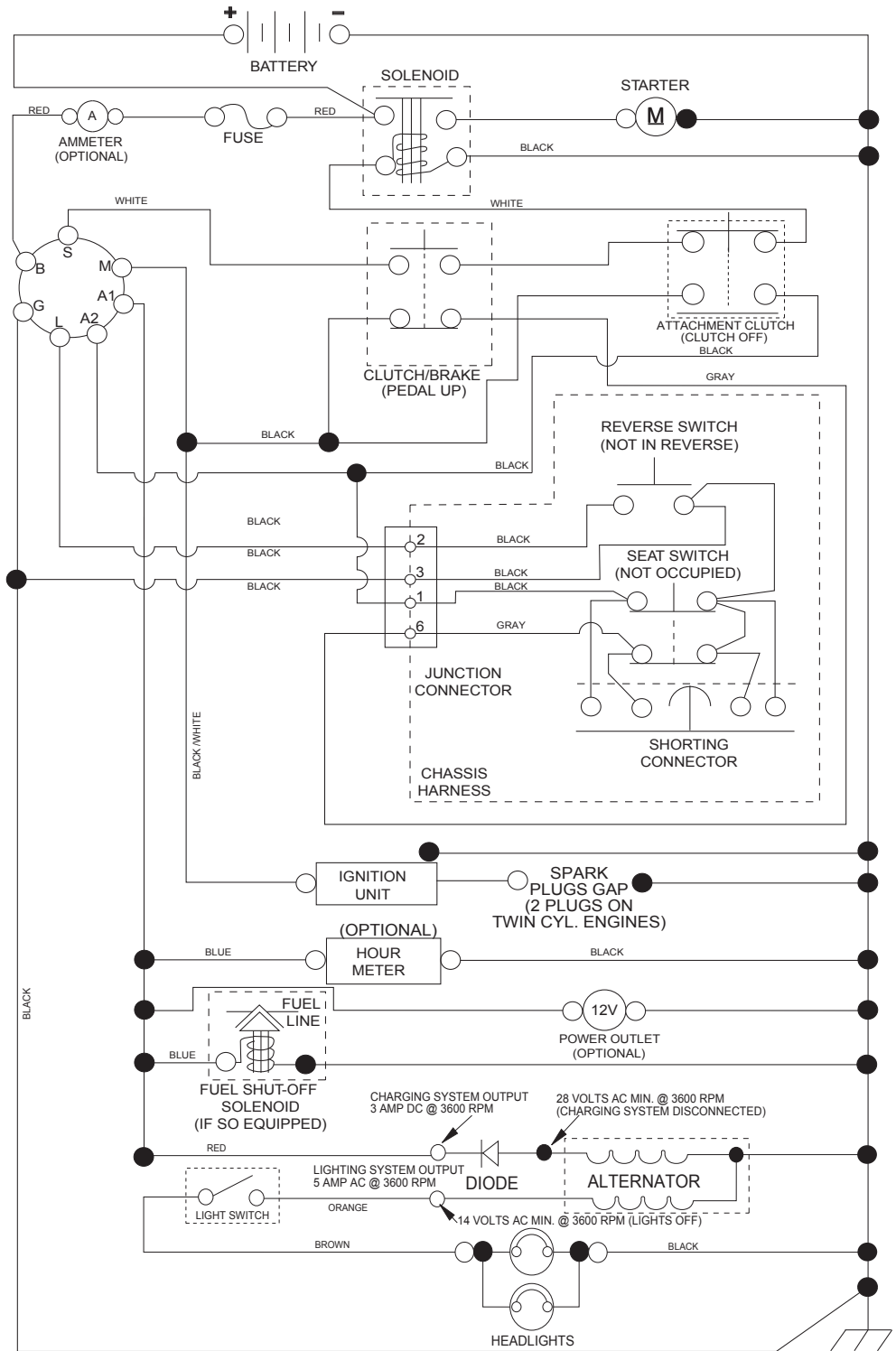
TABLE OF CONTENTS

SCHEMATIC	3
ELECTRICAL.....	4-5
CHASSIS	6-7
DRIVE.....	8-9
ENGINE.....	10-11
STEERING	12-13
MOWER DECK	14-15
MOWER LIFT.....	16
SEAT	17
DECALS.....	18
WARRANTY.....	19
PARTS AND SERVICE	20

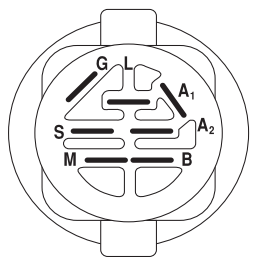
REPAIR PARTS

TRACTOR - - MODEL NUMBER PB20A42LT (96048002500), PRODUCT NO. 960 48 00-25 SCHEMATIC

SCH11

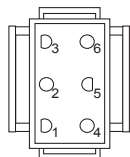


NOTE
YOUR TRACTOR IS EQUIPPED WITH A SPECIAL ALTERNATOR SYSTEM. THE LIGHTS ARE NOT CONNECTED TO THE BATTERY, BUT HAVE THEIR OWN ELECTRICAL SOURCE. BECAUSE OF THIS, THE BRIGHTNESS OF THE LIGHTS WILL CHANGE WITH ENGINE SPEED. AT IDLE THE LIGHTS WILL DIM. AS THE ENGINE IS SPEEDED UP, THE LIGHTS WILL BECOME THEIR BRIGHTEST.

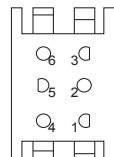


IGNITION SWITCH

POSITION	CIRCUIT "MAKE"
OFF	M+G+A1
RUN/OVERRIDE	B+A1
RUN	B+A1 L+A2
START	B + S + A1



CHASSIS HARNESS CONNECTOR (MATING SIDE)



DASH HARNESS CONNECTOR (MATING SIDE)

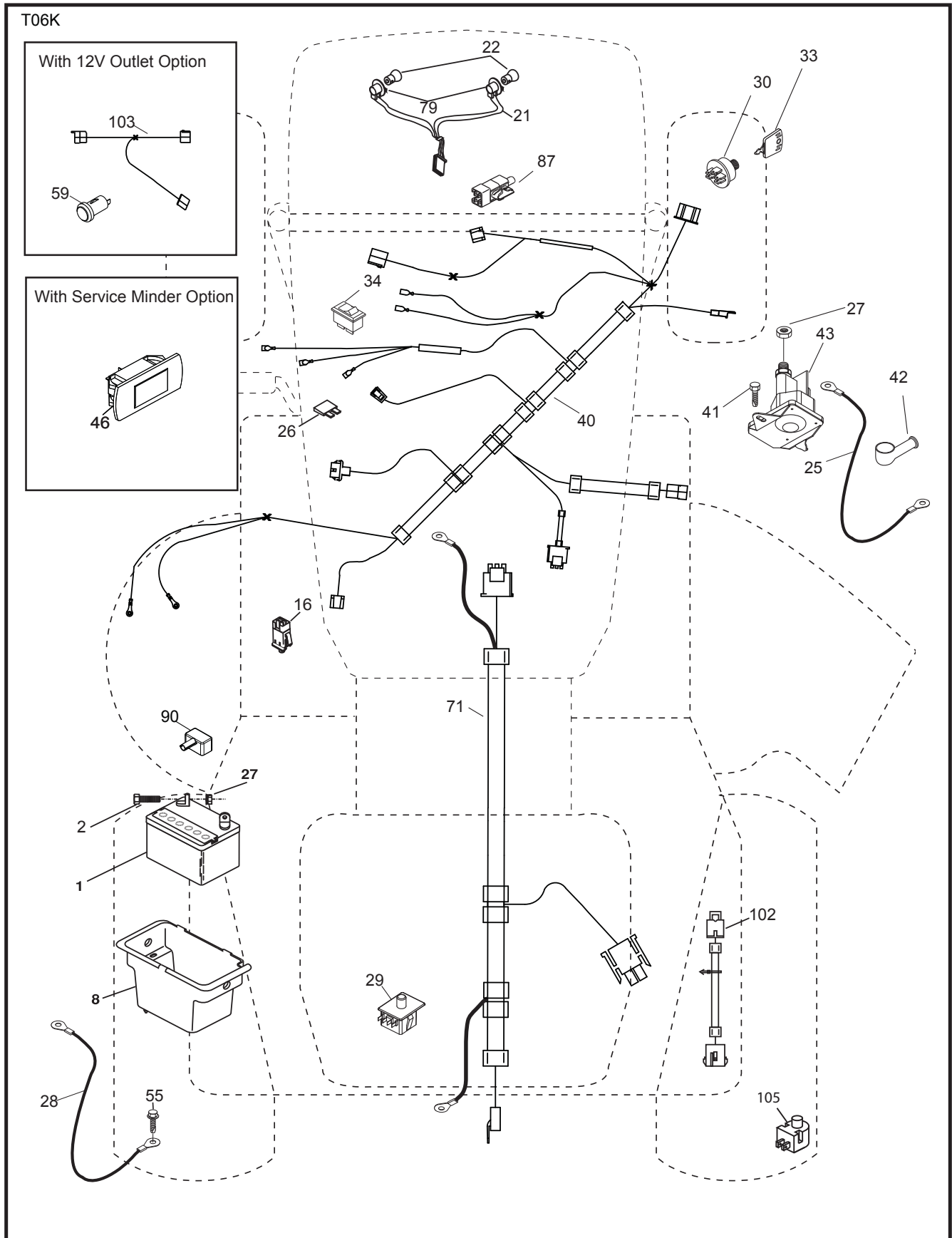
WIRING INSULATED CLIPS
NOTE: IF WIRING INSULATED CLIPS WERE REMOVED FOR SERVICING OF UNIT, THEY SHOULD BE RE-INSTALLED TO PROPERLY SECURE YOUR WIRING.

NON-REMOVABLE CONNECTIONS

REMOVABLE CONNECTIONS

REPAIR PARTS

TRACTOR - - MODEL NUMBER PB20A42LT (96048002500), PRODUCT NO. 960 48 00-25
ELECTRICAL



REPAIR PARTS

TRACTOR - - MODEL NUMBER PB20A42LT (96048002500), PRODUCT NO. 960 48 00-25
ELECTRICAL

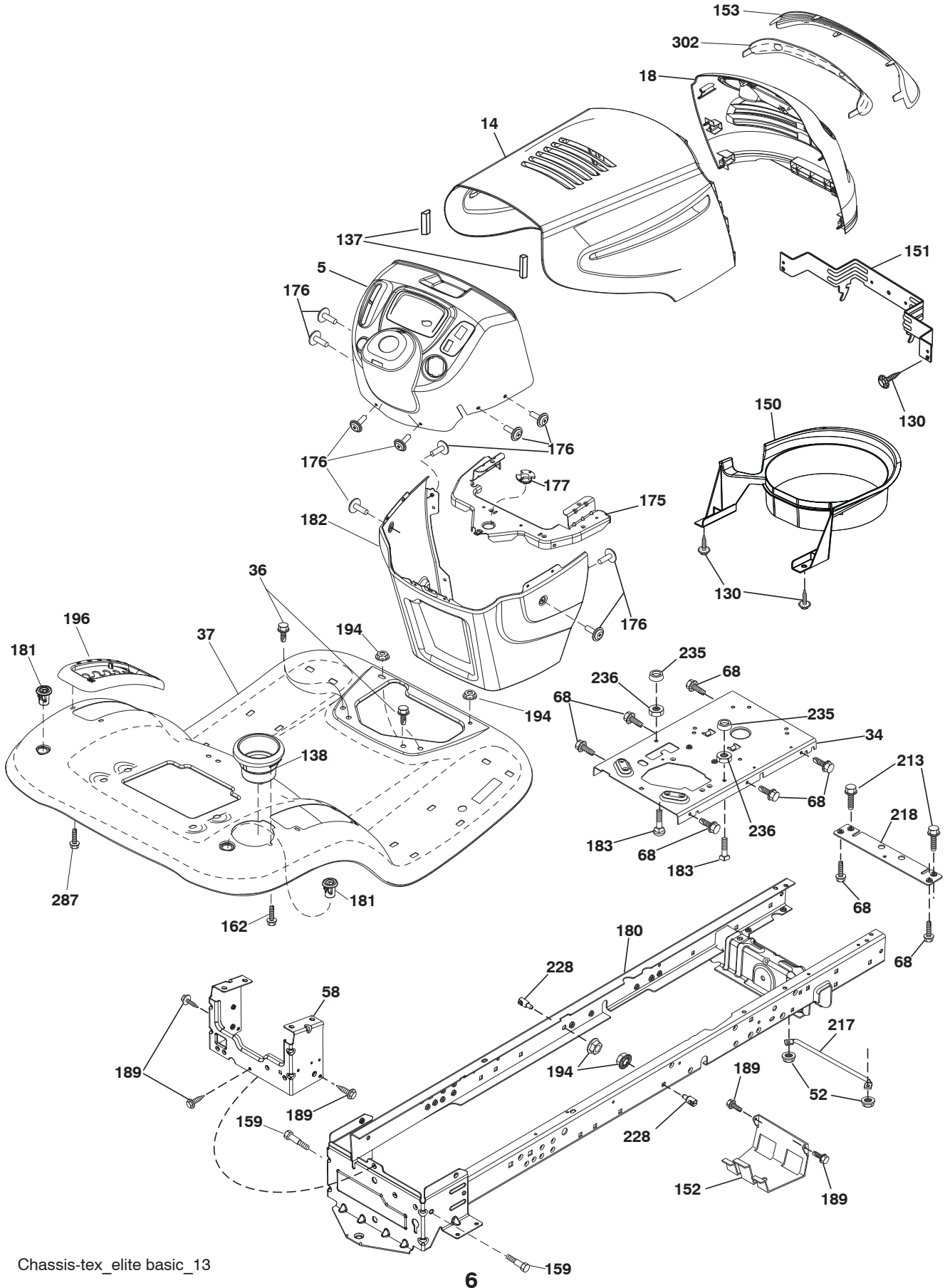
KEY NO.	PART NO.	DESCRIPTION
1	532 16 34-65	Battery
2	874 76 04-12	Bolt Hex Hd 1/4-20 unc x 3/4
8	532 19 32-28	Box Battery
16	532 17 61-38	Switch Interlock
21	532 18 37-59	Harness Socket Light
22	532 00 41-52	Bulb, Light #1156
25	532 41 28-94	Cable Starter 6 Ga. BL/Red 14.5
26	532 17 51-58	Fuse
27	873 51 04-00	Nut Keps Hex 1/4-20 unc
28	532 19 88-85	Cable Ground 18" Rear Battery Blk 6 Ga.
29	532 19 27-49	Switch Seat
30	532 19 33-50	Switch Ign
33	532 41 19-35	Key/Chain
34	532 11 07-12	Switch Light/Reset
40	532 40 10-98	Harness Ign
41	817 72 04-08	Screw 1/4-20 unc x 1/2
42	532 13 15-63	Cover Terminal Red
43	532 19 25-07	Solenoid
55	817 06 05-12	Screw 5/16-18 x 3/4
71	532 44 15-44	Harness Ign. Chass./Lift
79	532 17 52-42	Socket Asm. Bulb
87	532 19 78-02	Switch Interlock Clutch
90	532 43 53-95	Cover Terminal
102	532 41 97-81	Pigtail Rev. GT Vatr.
105	532 40 75-68	Switch Reverse

NOTE: All component dimensions given in U.S. inches
1 inch = 25.4 mm

REPAIR PARTS

TRACTOR - - MODEL NUMBER PB20A42LT (96048002500), PRODUCT NO. 960 48 00-25

CHASSIS



REPAIR PARTS

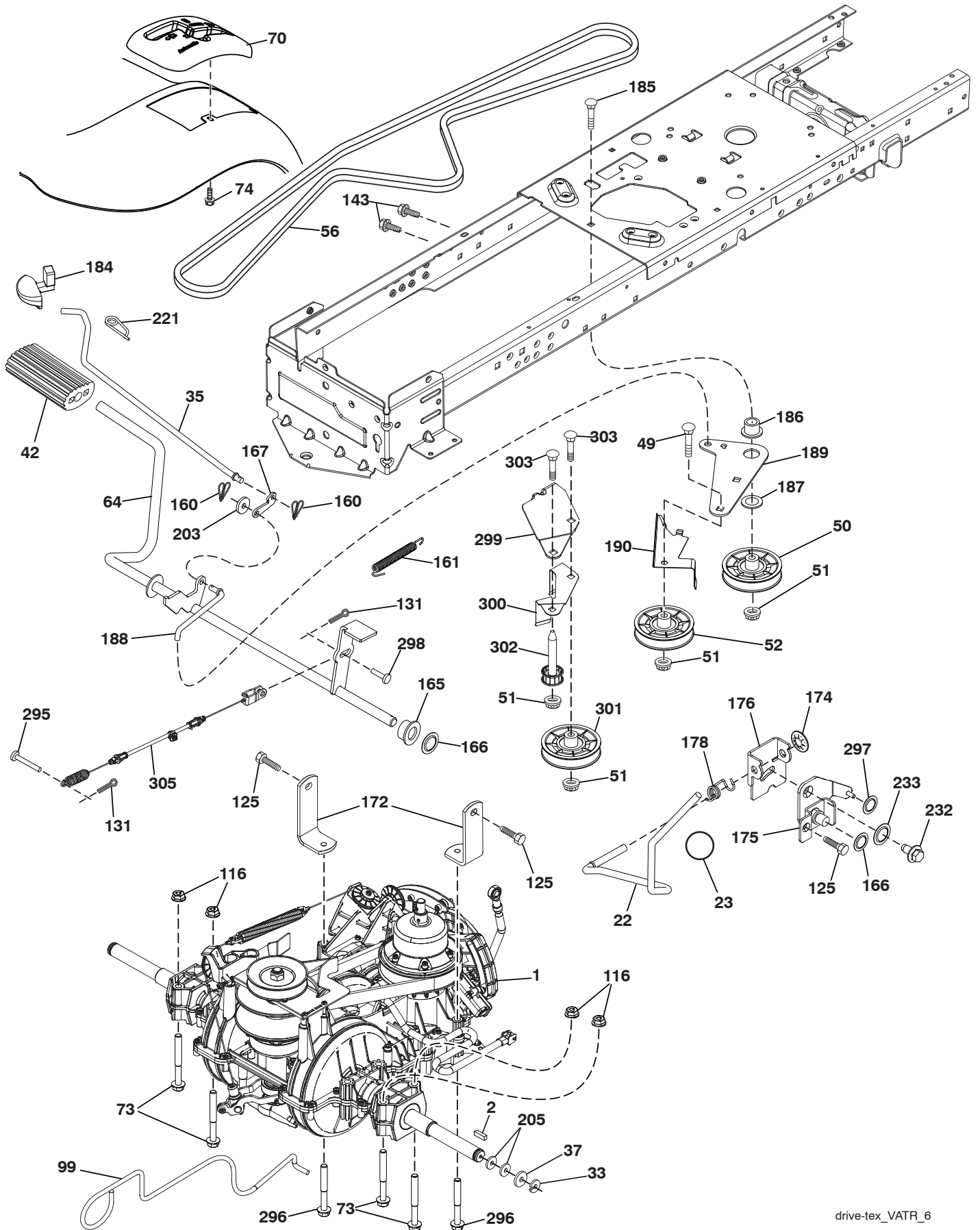
TRACTOR - - MODEL NUMBER PB20A42LT (96048002500), PRODUCT NO. 960 48 00-25
CHASSIS

KEY NO.	PART NO.	DESCRIPTION
5	532 41 17-64	Dash
14	532 18 58-47	Hood
18	532 42 67-92	Grille
34	532 44 72-53	Plate Engine
36	817 06 05-12	Screw 5/16-18 x 3/4
37	532 43 65-23	Fender
52	873 68 05-00	Nut Lock 5/16-18
58	532 41 22-80	Drawbar Upper
68	817 49 05-08	Screw Thdrol 5/16-18 x 1/2
130	532 41 63-58	Screw #10 x 0.750
137	532 18 49-21	Bumper Hood
138	532 40 97-30	Cupholder
150	532 18 44-61	Duct Heat Hood
151	532 40 78-07	Bracket Pivot
152	532 19 95-35	Shield Browning
153	532 18 98-37	Lens Grille
159	817 00 06-12	Screw Hexwsh Thdrol 3/8-16 x 3/4
162	532 14 24-32	Screw Hex Wsh Hi-Lo 1/4 x 1/2
175	532 19 32-43	Crossmember
176	532 40 07-76	Screw 10-24 x 5/8 Wshd Qdrx
177	532 19 52-28	Bushing Steering
180	532 41 50-63	Chassis
181	532 40 47-96	Bushing Mtg. Fender Crgo.
182	532 19 30-57	Dash Lower
183	874 52 05-20	Bolt 5/16-18 x 1-1/4
189	817 00 05-12	Screw 5/16-18 x 3/4
194	873 90 05-00	Nut Lock Hex Flange 5/16-18
196	532 41 45-79	Console Asm. Deck Lift
213	874 76 05-12	Bolt 5/16-18 x 3/4
217	532 40 91-67	Rod Pivot Hood
218	532 19 63-95	X-Piece Hood Step
228	532 19 51-61	Stud Fastener
235	532 40 61-29	Spacer Fender
236	873 93 05-00	Nut Center Lock 5/16-18
287	817 60 04-06	Screw 1/4-20 x 3/8
302	532 18 38-23	Insert Lens Reflective

NOTE: All component dimensions given in U.S. inches
1 inch = 25.4 mm

REPAIR PARTS

TRACTOR - - MODEL NUMBER PB20A42LT (96048002500), PRODUCT NO. 960 48 00-25
DRIVE



REPAIR PARTS

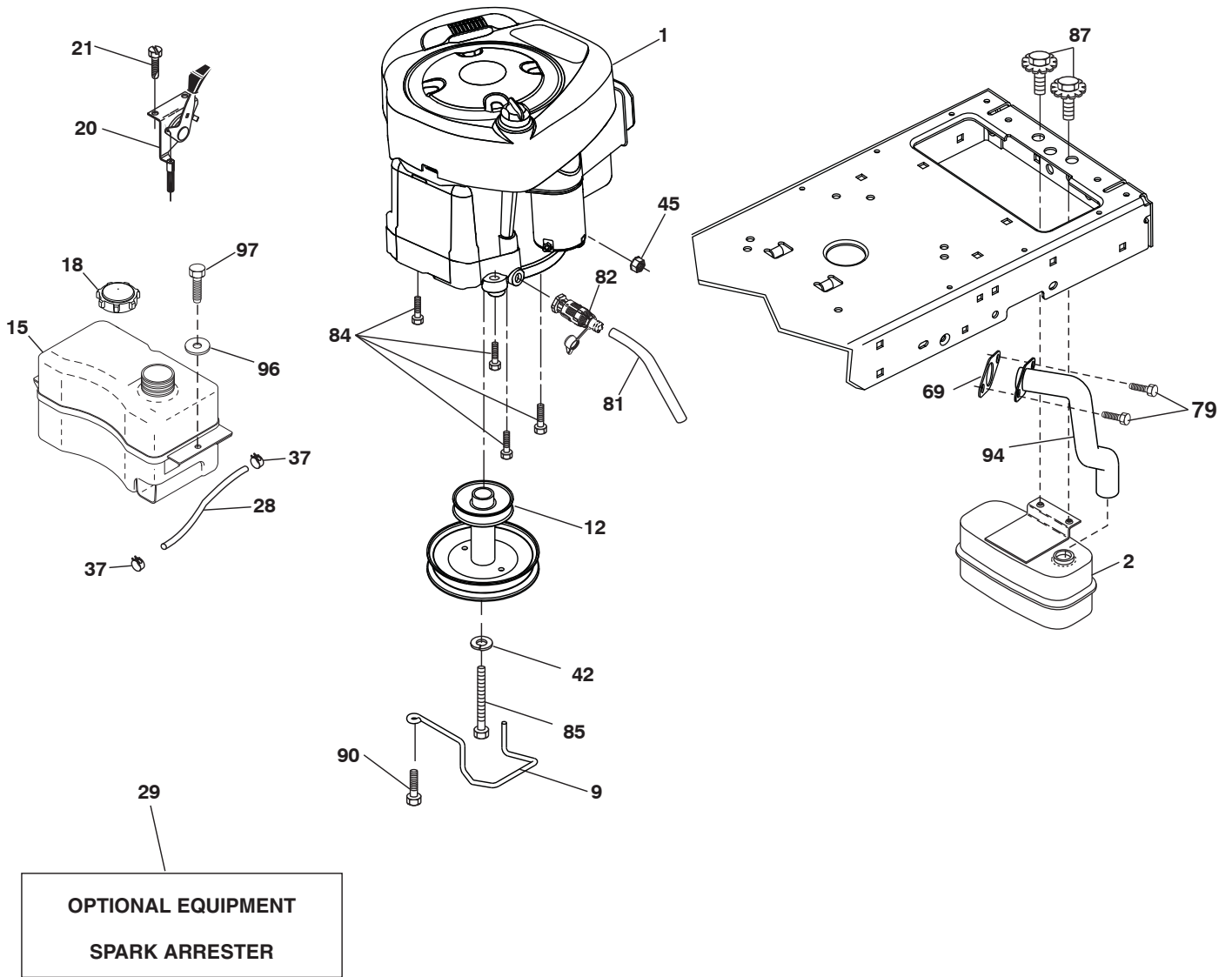
TRACTOR - - MODEL NUMBER PB20A42LT (96048002500), PRODUCT NO. 960 48 00-25
DRIVE

KEY NO.	PART NO.	DESCRIPTION
1	— — — — —	Transmission, Gentrans (415663)(Order parts from transaxle manufacturer.)
2	532 12 35-83	Key.Square .2.0 x .1845/.1865
22	532 42 10-63	Rod Shift
23	532 14 08-45	Knob
33	812 00 00-01	E-Ring. #5133-75
35	532 19 77-22	Rod.Brake.Parking. Lt.Tex
37	532 12 17-49	Washer.25/32 X 1 1/4 x 16 Ga.
42	532 12 48-72	Cover.Pedal.Blk.Round
49	872 11 06-14	Bolt.Rdhd.3/8-16Uncx1-3/4.Gr 5
50	532 19 43-27	Idler.Flat.910"Offset
51	873 90 06-00	Nut, Hex, Flangelock 3/8-16
52	532 19 43-26	Idler.V-Groove.910"Offset
56	532 19 72-53	Belt.Drive.100.97"
64	532 19 62-00	Shaft Asm.Pedal.Brake Control
70	532 44 03-23	Console
73	874 49 05-44	Bolt.Hex.Flghd.5/16-18.Gr.5
74	532 14 24-32	Screw.Hex.Wsh.Hi-Lo.1/4X1/2 unc
99	532 42 73-40	Rod Bypass
116	873 90 05-00	Nut, Lock Hex Flange 5/16-18 unc
125	817 00 05-12	Screw.5/16-18 x 3/4.Smgml.Tap/Bl
131	876 02 03-12	Pin Cotter 3/32/ x 3/4
143	817 49 05-08	Screw.Thdrol.5/16-18 x 1/2 Tytt
160	532 16 94-84	Retainer.Clip(M).Dia.290
161	532 10 57-09	Spring.Return.Clutch.6.75
165	532 19 62-12	Bushing.Shaft.Brake.Hand Contr
166	532 42 91-64	Nut Push .625
167	532 40 52-57	Latch.Brake.Parking
172	532 41 56-64	Strap Torque Lh/Rh
174	532 19 72-89	Nut.Push..500
175	532 41 56-77	Shaft Asm Shift
176	532 19 62-14	Arm.Clevis.Rod.Shift
178	532 19 74-56	Spring.Shift.Gt.2006
184	532 44 15-04	Handle.Parking Brake.Lttex.505
185	872 11 06-22	Bolt.Rdhd.3/8-16Unc x 2-3/4 Gr5
186	532 19 43-21	Spacer.Retainer
187	819 13 32-10	Washer.13/32 x 2 x 10 Ga.
188	532 19 43-23	Link.Clutch.Ground Drive
189	532 19 43-17	Bellcrank.Groundrive.Nstg/Nstl
190	532 19 43-18	Keeper.Bellcrank.Drive.Ground
203	819 11 11-16	Washer 11/32 x 11/16 x 16 Ga.
205	532 12 17-48	Washer.25/32 x 1-5/8 x 16Ga.
221	532 40 31-87	Retainer.Spring.Clip.Handle
232	874 78 07-16	Bolt.Fin Hex.7/16-14 x 1 Gr5
233	532 40 52-96	Washer.Serrated
295	532 42 03-06	Pin Clevis 183 Od x 1.260 Long
296	532 42 04-71	Screw Thdrol 5/16-18 x 3
297	532 42 02-23	Nut Push 1/4
298	532 41 56-94	Pin Clevis Cbl. Brk. Variator
299	532 41 56-83	Bracket Mount Idler
300	532 41 56-81	Keeper Idler Rear
301	532 41 56-80	Pulley Idler V-Groove
302	532 41 56-66	Pulley Idler Flat 2.0 Od
303	872 11 06-18	Bolt Rdhd Sgnk 3/8-16 x 2-1/4
305	532 41 56-92	Cable Brake Variator

NOTE: All component dimensions given in U.S. inches
1 inch = 25.4 mm

REPAIR PARTS

TRACTOR - - MODEL NUMBER PB20A42LT (96048002500), PRODUCT NO. 960 48 00-25
ENGINE



engine-tex_BS_63

REPAIR PARTS

TRACTOR - - MODEL NUMBER PB20A42LT (96048002500), PRODUCT NO. 960 48 00-25
ENGINE

KEY NO.	PART NO.	DESCRIPTION
1	-----	Engine B&S Model No. 331777-1523-G5 (442174)(Order parts from engine manufacturer.)
2	532 18 86-55	Muffler
9	532 19 43-19	Keeper Belt Engine
12	532 40 19-85	Pulley Engine
15	532 40 75-45	Tank Fuel 1.50
18	532 43 02-20	Cap Fuel
20	532 17 05-45	Control Throttle/Choke
21	532 41 63-58	Screw #10 x 0.750
28	532 40 11-37	Fuel Line
29	532 13 71-80	Spark Arrester Kit
37	532 12 34-87	Clamp Hose
42	810 04 07-00	Washer Lock 7/16
45	873 51 04-00	Nut Keps Hex 1/4-20 unc
69	532 16 52-91	Gasket
79	532 19 23-34	Screw Socket Hd 5/16-18 x .75
81	532 14 84-56	Tube Drain Oil Easy
82	532 42 82-87	Valve Oil Drain
84	817 06 06-20	Screw 3/8-16 x 1-1/4
85	532 17 39-37	Bolt Hex 7/16-20 x 4 x Gr. 5-1.5
87	532 17 18-77	Bolt 5/16-18 unc
90	817 00 06-16	Screw 3/8-16 x 1.0
94	532 40 54-50	Exhaust Tube
96	819 09 14-16	Washer 9/32 x 7/8 x 16 Ga.
97	817 67 04-12	Screw 1/4-20 x 3/4

NOTE: All component dimensions given in U.S. inches
1 inch = 25.4 mm

For engine service and replacement parts, call the toll free number for your engine manufacturer listed below:

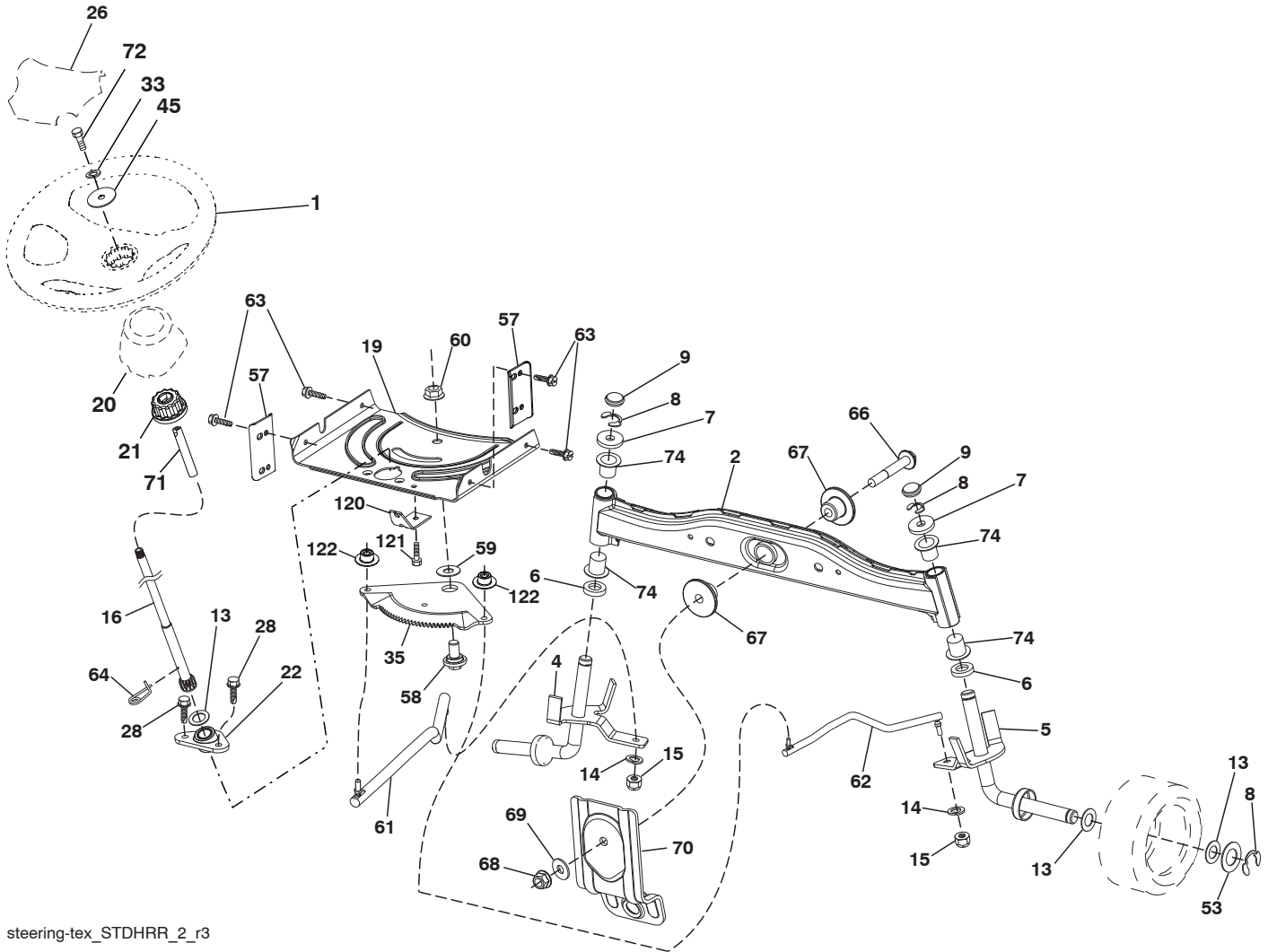
Briggs & Stratton 1-800-233-3723

Engine Power Rating Information

The gross power rating for individual gas engine models is labeled in accordance with SAE (Society of Automotive Engineers) code J1940 (Small Engine Power & Torque Rating Procedure), and rating performance has been obtained and corrected in accordance with SAE J1995 (Revision 2002-05). Torque values are derived at 3060 RPM; horsepower values are derived at 3600 RPM. Actual gross engine power will be lower and is affected by, among other things, ambient operating conditions and engine-to-engine variability. Given both the wide array of products on which engines are placed and the variety of environmental issues applicable to operating the equipment, the gas engine will not develop the rated gross power when used in a given piece of power equipment (actual "on-site" or net power). This difference is due to a variety of factors including, but not limited to, accessories (air cleaner, exhaust, charging, cooling, carburetor, fuel pump, etc.), application limitations, ambient operating conditions (temperature, humidity, altitude), and engine-to-engine variability. Due to manufacturing and capacity limitations, Briggs & Stratton may substitute an engine of higher rated power for this Series engine.

REPAIR PARTS

TRACTOR - - MODEL NUMBER PB20A42LT (96048002500), PRODUCT NO. 960 48 00-25
STEERING



steering-tex_STDHRR_2_r3

REPAIR PARTS

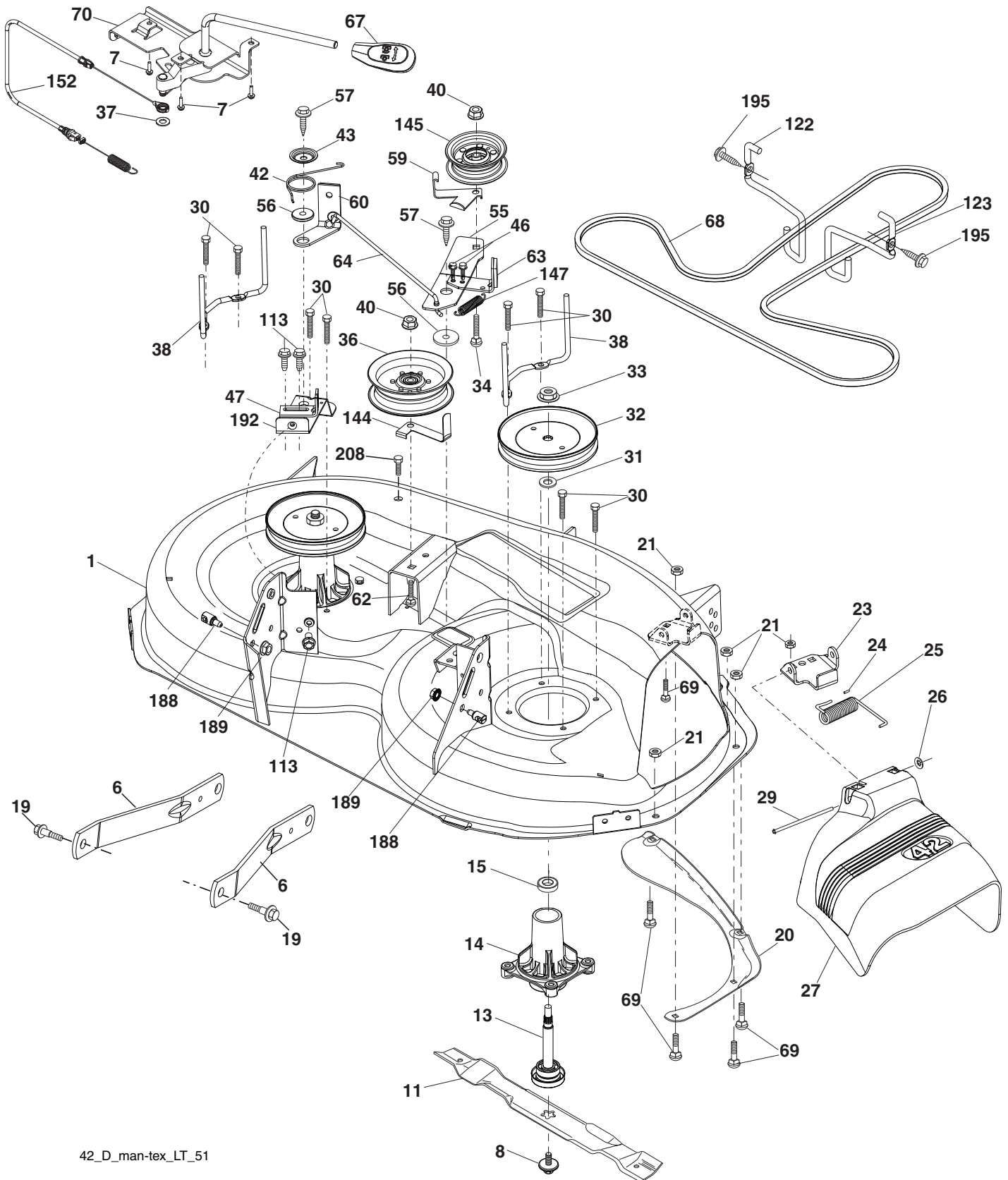
TRACTOR - - MODEL NUMBER PB20A42LT (96048002500), PRODUCT NO. 960 48 00-25
STEERING

KEY NO.	PART NO.	DESCRIPTION
1	532 42 45-43	Wheel, Steering
2	532 41 81-68	Axle Asm., Front
4	532 40 30-87	Spindle Asm., LH
5	532 40 30-88	Spindle Asm., RH
6	532 12 49-31	Washer Thrust 0.75 x 1.23
7	532 12 17-48	Washer 25/32 x 1-5/8 x 16 Ga.
8	812 00 00-29	Ring, Clip #T5304-75
9	532 12 12-32	Cap, Spindle
13	532 12 17-49	Washer 25/32 x 1-1/4 x 16 Ga.
14	810 04 06-00	Washer Lock 3/8
15	873 54 06-00	Nut, Crown Lock 3/8-24 unf
16	532 42 93-74	Shaft Steering
19	532 19 47-29	Plate Steering
20	532 41 12-91	Boot, Steering
21	532 18 67-37	Adapter, Wheel Steering
22	532 42 05-37	Strg. Supt. Lower
26	532 42 45-53	Insert, Wheel Steering
28	817 00 06-12	Screw 3/8-16 x 3/4
33	810 04 05-00	Washer Lock 5/16
35	532 19 47-32	Gear, Sector Plate
45	819 11 38-12	Washer 11/32 x 2-3/8 x 12 Ga.
53	532 18 89-67	Washer Hardened .793 x 1.637 x .060
57	532 40 74-65	Bracket Upstop
58	532 19 47-47	Bolt Shoulder Sector Pivot CFM
59	532 19 47-48	Washer Thrust Sector Steering
60	873 97 10-00	Nut Flange Lock 5/8-11
61	532 19 47-40	Draglink, LH
62	532 19 47-41	Draglink, RH
63	817 00 05-12	Screw 5/16-18 x 3/4
64	532 19 98-49	Retainer Clip Spring Steering
66	871 02 07-48	Bolt Hex Fghd 7/16-14 x 3 Serr
67	532 19 47-37	Bushing PM Front Axle
68	873 90 07-00	Nut Lock Flange 7/16-14 Gr. 5
69	532 19 91-62	Washer 1.5 x .505 x .118
70	532 19 61-97	Bracket Deck Susp. Front
71	532 19 07-52	Shaft Ext. Steering
72	532 42 89-82	Bolt 5/16-18 x 4 W/Patch
74	532 12 49-37	Bearing
120	532 41 56-89	Bracket Locator
121	817 49 05-08	Screw 5/16-18 x 1/2
122	532 44 49-62	Cap Gear Sector Tex

NOTE: All component dimensions given in U.S. inches
1 inch = 25.4 mm

REPAIR PARTS

TRACTOR - - MODEL NUMBER PB20A42LT (96048002500), PRODUCT NO. 960 48 00-25
MOWER DECK



42_D_man-tex_LT_51

REPAIR PARTS

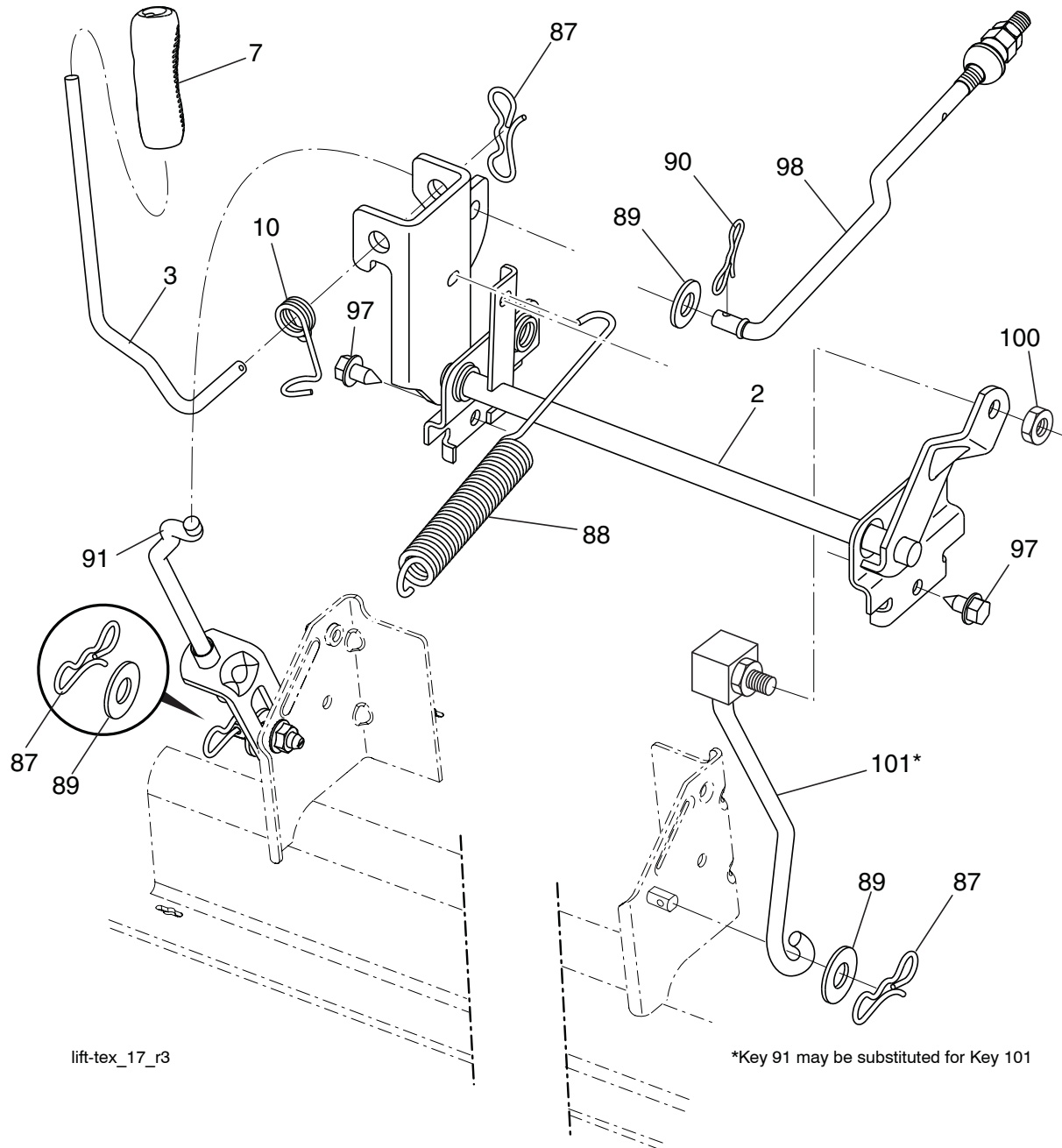
TRACTOR - - MODEL NUMBER PB20A42LT (96048002500), PRODUCT NO. 960 48 00-25
MOWER DECK

KEY NO.	PART NO.	DESCRIPTION	KEY NO.	PART NO.	DESCRIPTION
1	532 19 99-11	Mower Housing	56	532 19 90-92	Spacer, Retainer
6	532 19 51-86	Arm Suspension	57	817 00 06-16	Screw Hexwsh Thd 3/8-16 x 1
7	532 41 63-58	Screw #10 x 0.750 BOS Thread	59	532 14 10-43	Guard, Tuv Idler (94)
8	532 19 30-03	Bolt/Washer Asm 7/16-20 unf	60	532 19 72-61	Arm Brake Mower
11	532 13 89-71	Blade, 42" Hi-Lift (For bagging or discharge)	62	872 11 06-16	Bolt Rdhd Sqnk 3/8-16 unc x 2
--	532 13 97-75	Blade, 42" Mulching Premium (For better wear when mulching)	63	532 19 94-77	Arm Brake Mower
--	532 13 41-49	Blade, 42" Mulching Std (For mulching mowers only)	64	532 19 97-90	Linkage Brake
--	532 42 47-52	Blade 42SP" 3N1	67	532 40 30-12	Handle, Clutch Cable
--	532 42 27-19	Blade 42SP" Premium	68	532 42 96-36	V-Belt
13	532 19 28-72	Shaft Assembly, Mandrel	69	872 14 05-05	Bolt Rdhd Sqnk 5/16-18 x 5/8
14	532 18 72-81	Housing, Mandrel	70	532 19 83-32	Clutch Asm. Manual
15	532 11 04-85	Bearing, Ball, Mandrel	113	817 00 05-10	Screw 5/16-18
19	532 19 65-39	Bolt, Shoulder	122	532 19 72-58	Keeper Belt Eng. LH
20	532 15 97-70	Baffle, Vortex	123	532 19 72-59	Keeper Belt Eng. RH
21	873 68 05-00	Nut, Crownlock 5/16-18 unc	144	532 19 92-04	Keeper Belt
23	532 19 25-57	Bracket, Deflector	145	532 19 31-97	Pulley Idler Primary
24	532 10 53-04	Cap, Sleeve	147	532 40 19-71	Spring Return
25	532 19 70-26	Spring, Torsion, Deflector	152	532 43 51-11	Cable Clutch Manual w/Spr.
26	532 11 04-52	Nut, Push	188	532 19 51-61	Stud Fastener
27	532 40 30-04	Shield, Deflector	189	873 90 05-00	Nut Lock Hex Flange
29	532 13 14-91	Rod, Hinge	192	532 19 72-60	Bracket Brake Stand LH
30	532 17 39-84	Screw Thdrol Rolling Wsh Hd	195	817 00 06-12	Screw Hexwsh Thdr 3/8-16 x 3/4
31	532 18 76-90	Washer, Spacer	208	817 67 06-08	Screw THDROL 3/8-16 x 1/2
32	532 19 74-73	Pulley, Mandrel	--	532 19 28-70	Mandrel Assembly (Includes housing, shaft assembly, and bearing only - pulley/nut/washer and blade bolt/washers not included)
33	532 40 02-34	Nut, Toplock, Flanged	--	532 41 52-41	Replacement Mower, Complete
34	872 11 06-12	Bolt Carr Sh. 3/8-16 x 1-1/2 Gr. 5			
36	532 19 73-79	Pulley, Idler 4.50 RAW			
37	819 13 13-16	Washer 13/32 x 13/16 x 16 Ga.			
38	532 43 25-20	Keeper Belt Mandrel			
40	873 90 06-00	Nut, Lock Flg. 3/8-16 unc			
42	532 19 84-10	Spring Torsion Brake			
43	532 19 72-56	Spring Torsion Retainer			
46	532 13 77-29	Screw Thd Roll 1/4-20 x 5/8			
47	532 19 72-50	Bracket Clutch Cable			
55	532 43 71-10	Arm, Idler			

NOTE: All component dimensions given in U.S. inches
1 inch = 25.4 mm

REPAIR PARTS

TRACTOR - - MODEL NUMBER PB20A42LT (96048002500), PRODUCT NO. 960 48 00-25
MOWER LIFT



lift-tex_17_r3

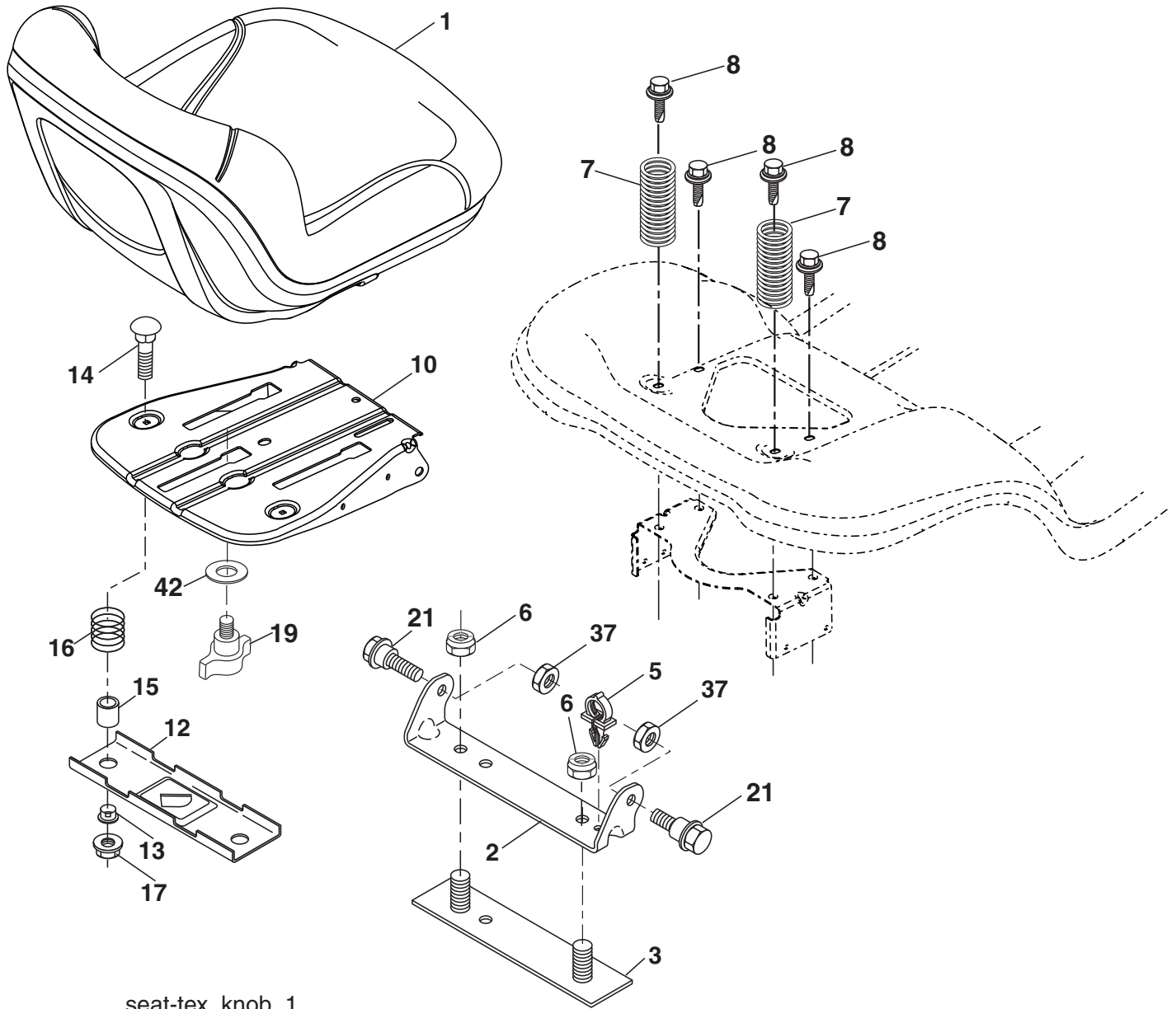
KEY NO.	PART NO.	DESCRIPTION
2	532 42 20-27	Shaft Asm., Cross Lift
3	532 19 52-31	Lever Asm., Lift RH
7	532 41 15-55	Grip, Lever
10	532 19 63-14	Spring Torsion
87	532 19 42-09	Pin Cotter 7/16 Bow Tie Lock
88	532 41 07-10	Spring Lift Assist
89	819 19 19-12	Washer Clear Zinc
90	532 19 42-08	Pin Cotter 5/16 Bow Tie Lock

KEY NO.	PART NO.	DESCRIPTION
91	532 19 51-81	Link Lift Susp Mower Rear
97	817 00 06-12	Screw 3/8-16 x .75 Smgml Tap/R.Z
98	532 19 52-70	Link Lift Susp. Front Mower
100	873 93 06-00	Nut Centerlock 3/8 -16 unc
101	532 40 70-03	Link Asm. Lift Fixed

NOTE: All component dimensions given in U.S. inches
1 inch = 25.4 mm

REPAIR PARTS

TRACTOR - - MODEL NUMBER PB20A42LT (96048002500), PRODUCT NO. 960 48 00-25
SEAT



seat-tex_knob_1

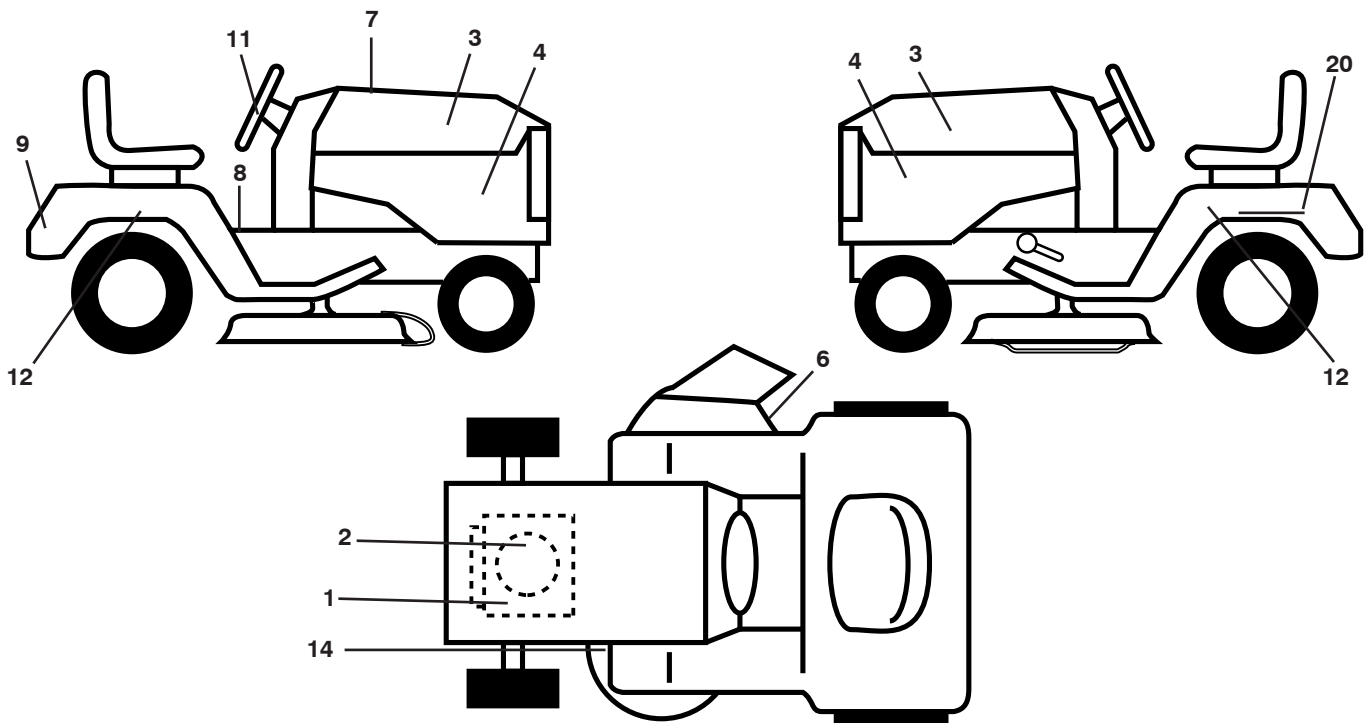
KEY NO.	PART NO.	DESCRIPTION
1	532 40 30-17	Seat
2	532 18 01-66	Bracket Pivot Fender
3	532 14 06-75	Strap, Asm Fender
5	532 14 50-06	Clip Push-in Hinged
6	873 80 06-00	Nut, Lock w/Ins. 3/8-16 unc
7	532 12 41-81	Spring, Seat Cprsn
8	532 17 18-77	Bolt 5/16-18 unc x 3/4 w/Sems
10	532 44 18-05	Pan, Seat
12	532 19 93-70	Bracket Mnt.
13	532 12 12-48	Bushing Snap
14	872 05 04-12	Bolt 1/4-20 x 1-1/2

KEY NO.	PART NO.	DESCRIPTION
15	532 13 43-00	Spacer Split
16	532 12 37-40	Spring CPRSN Plate
17	532 12 39-76	Nut Lock 1/4
19	532 19 93-72	Knob Seat
21	532 17 18-52	Bolt, Shoulder 5/16-18
37	873 80 05-00	Nut, Lock 5/16-18 unc
42	532 19 93-71	Cup Washer

NOTE: All component dimensions given in U.S. inches
1 inch = 25.4 mm

REPAIR PARTS

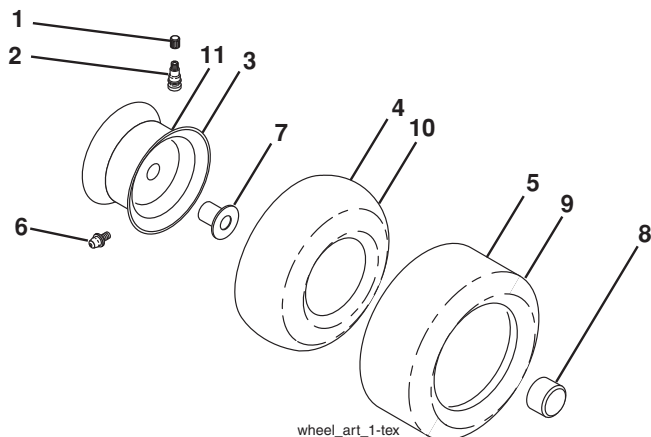
TRACTOR - - MODEL NUMBER PB20A42LT (96048002500), PRODUCT NO. 960 48 00-25



KEY NO.	PART NO.	DESCRIPTION
1	532 43 52-86	Decal, Warn Spark
2	532 42 95-51	Decal Eng. H.P.
3	532 44 52-35	Decal Hood
4	532 44 83-73	Decal Side Panel Logo
6	532 17 05-63	Decal Warning, Keep Hand Away
7	532 44 82-52	Decal Replacement Parts
8	532 41 16-58	Decal Fender Warn S/F
9	532 44 52-34	Decal Fender Logo

KEY NO.	PART NO.	DESCRIPTION
11	532 43 85-01	Decal Ins Strg Whl
12	532 43 90-60	Decal Fend SD
14	532 16 03-96	Decal V-Belt Schematic
20	532 14 50-05	Decal Bat Dan/Psn
--	532 16 69-60	Decal Bypass
--	532 40 95-05	Pad Footrest LH
--	532 41 12-73	Pad Footrest RH
--	532 44 83-74	Manual Operator's (English/French)
--	532 44 83-75	Manual Parts (English/French)

WHEELS AND TIRES



KEY NO.	PART NO.	DESCRIPTION
1	532 05 91-92	Cap Valve Tire
2	532 06 51-39	Stem Valve
3	532 10 67-32	Rim Asm 6" Front
4	532 05 99-04	Tube Front (Service Item Only)
5	532 10 62-22	Tire F T 15 x 6 0 - 6
6	532 12 49-57	Fitting Grease (Front Wheel Only)
7	532 12 49-59	Bearing Flange (Front Wheel Only)
8	532 17 50-39	Cap Axle
9	532 42 05-31	Tire R T 18 x 9.5-8C Turf Saver LT
10	532 12 49-26	Tube Rear (Service Item Only)
11	532 10 61-08	Rim Asm 8" Rear Service
--	532 14 43-34	Sealant, Tire (Not Shown)

NOTE: All component dimensions given in U.S. inches
1 inch = 25.4 mm

LIMITED WARRANTY

The Manufacturer warrants to the original consumer purchaser that this product as manufactured is free from defects in materials and workmanship. For a period of two (2) years from date of purchase by the original consumer purchaser, we will repair or replace, at our option, without charge for parts or labor incurred in replacing parts, any part which we find to be defective due to materials or workmanship. This Warranty is subject to the following limitations and exclusions.

1. This warranty does not apply to the engine, transaxle/transmission components, battery (except as noted below) or components parts thereof. Please refer to the applicable manufacturer's warranty on these items.
2. Transportation charges for the movement of any power equipment unit or attachment are the responsibility of the purchaser. Transportation charges for any parts submitted for replacement under this warranty must be paid by the purchaser unless such return is requested by the manufacturer.
3. Battery Warranty: On products equipped with a Battery, we will replace, without charge to you, any battery which we find to be defective in manufacture, during the first ninety (90) days of ownership. After ninety (90) days, we will exchange the Battery, charging you 1/12 of the price of a new Battery for each full month from the date of the original sale. Battery must be maintained in accordance with the instructions furnished.
4. The Warranty period for any products used for rental or commercial purposes is limited to 90 days from the date of original purchase.
5. This Warranty applies only to products which have been properly assembled, adjusted, operated, and maintained in accordance with the instructions furnished. This Warranty does not apply to any product which has been subjected to alteration, misuse, abuse, improper assembly or installation, delivery damage, or to normal wear of the product.
6. Exclusions: Excluded from this Warranty are belts, blades, blade adapters, normal wear, normal adjustments, standard hardware and normal maintenance.
7. In the event you have a claim under this Warranty, you must return the product to an authorized service dealer.

Should you have any unanswered questions concerning this Warranty, please contact:

HOP
Outdoor Products Customer Service Dept.
9335 Harris Corners Parkway
Charlotte, NC 28269 USA

In Canada contact:
HOP
5855 Terry Fox Way
Mississauga, Ontario
L5V 3E4

giving the model number, serial number and date of purchase of your product and the name and address of the authorized dealer from whom it was purchased.

THIS WARRANTY DOES NOT APPLY TO INCIDENTAL OR CONSEQUENTIAL DAMAGES AND ANY IMPLIED WARRANTIES ARE LIMITED TO THE SAME TIME PERIODS STATED HEREIN FOR OUR EXPRESSED WARRANTIES. Some areas do not allow the limitation of consequential damages or limitations of how long an implied Warranty may last, so the above limitations or exclusions may not apply to you. This Warranty gives you specific legal rights, and you may have other rights which vary from locale to locale.

This is a limited Warranty within the meaning of that term as defined in the Magnuson-Moss Act of 1975.

Poulan PRO

PARTS AND SERVICE

This product has been expertly engineered and carefully manufactured to rigid quality standards. As with all mechanical products, some adjustments or part replacement may be necessary during the life of your unit.

For Parts and service, contact our authorized distributor: call 1-800-849-1297

- For replacement parts, have available the following information:
 - a. Model Number/Manufacturer's I.D. Number
 - b. Description of part.

For Technical Assistance: call 1-800-829-5886

For a Parts Manual, go to our website: www.poulanpro.com

NOTE: HOP provides parts and service through its authorized distributors and dealers; therefore, all requests for parts and service should be directed to your local dealer(s). The philosophy of HOP is to continually improve all of its products. If the operating characteristics or the appearance of your product differs from those described in this Manual, please contact your local dealer for updated information and assistance.

Poulan PRO

L'ENTRETIEN ET LES PIÈCES DE RECHANGE

Ce produit, conçu avec les soins les plus attentifs, est fabriqué en accord avec des standards stricts. Comme pour tous les produits avec des parties mobiles, il peut être nécessaire pendant la durabilité de votre machine d'effectuer des ajustements ou le remplacement de certaines pièces .

Pour les pièces de rechange et l'entretien, contactez notre concessionnaire autorisé: appelez 1-800-849-1297

• Pour les pièces de rechange, ayez près de vous:

a. Numéro du modèle/Référence numéro du fabricant

b. Description de la pièce

Pour l'assistance technique: appelez 1-800-829-5886

Pour un manuel de pièces, allez à notre site web: www.poulanpro.com

N.B.: HOP assure la distribution des pièces de rechange et l'entretien de ses produits par l'intermédiaire des concessionnaires et des distributeurs agréés; par conséquent toute demande de pièces ou d'entretien doit être adressée directement au distributeur agréé le plus proche. La philosophie de HOP est d'améliorer en permanence la gamme complète de ses produits. Si les caractéristiques ou l'apparence de votre outil sont différentes de celles décrites dans ce Manuel, contactez S.V.P. votre concessionnaire pour les informations et l'assistance concernant les mises à jour.

GARANTIE LIMITÉE

Le Fabricant garantit à l'acheteur initial que son produit tel que manufacturé est libre de défaut de matière et d'ouvrage. Pendant deux (2) ans, à compter de la date d'achat de la part de l'acheteur initial, nous réparerons ou remplacerons à notre choix, gratuitement, toute pièce, sur laquelle nous estimerons qu'il existe un défaut de matière ou d'ouvrage. Cette garantie est soumise aux limitations et exceptions suivantes:

1. Cette garantie ne couvre pas le moteur, la transmission/composants, la batterie (sauf comme mentionnée ci-dessous) ou les pièces détachées. Veuillez-vous consulter la garantie applicable du fabricant des articles.
2. L'acheteur est responsable des frais de transport de tous les équipements actionnés par moteur ou les accessoires. L'acheteur est responsable des frais aussi du transport de toutes les pièces (couvertes par cette garantie) soumis pour le remplacement à moins que manufacturé demande à l'acheteur de renvoyer les pièces.
3. Garantie de la batterie: Pour les produits équipés d'une batterie, nous remplacerons, gratuitement, toute batterie estimée défectueuse pendant les quatre-vingt-dix (90) jours initiaux suivant l'achat. Après quatre-vingt-dix (90) jours, nous échangeons la batterie, le coût pour vous être 1/12 du prix d'une nouvelle batterie pour chaque mois complet à compter de la date d'achat initiale. La batterie doit être entretenue selon les directives données dans la documentation appropriée.
4. La période de garantie applicable aux produits proposés en location ou à des fins commerciales est limitée à quatre-vingt-dix (90) jours à compter de la date d'achat initiale.
5. Cette garantie ne s'applique qu'aux produits correctement montés, réglés, utilisés et entretenus conformément aux instructions données dans la documentation appropriée. Cette garantie ne s'applique pas aux produits qui ont été modifiés, utilisés incorrectement, abusés, mal installés ou avariés lors de la livraison ou usage normal.
6. Exclusions: Les courroies, les lames, les adaptateurs de lame, l'usage normal, les réglages normaux, la visserie standard, et l'entretien normal sont exclus de cette garantie.
7. En cas de problème entrant dans le cadre de cette garantie, veuillez-vous retourner votre machine à un concessionnaire autorisé.

Si vous auriez aucune question sans réponse concernant cette garantie, s'il vous plaît contactez:

HOP
Outdoor Products Customer Service Dept.
9335 Harris Corners Parkway
Charlotte, NC 28269 USA

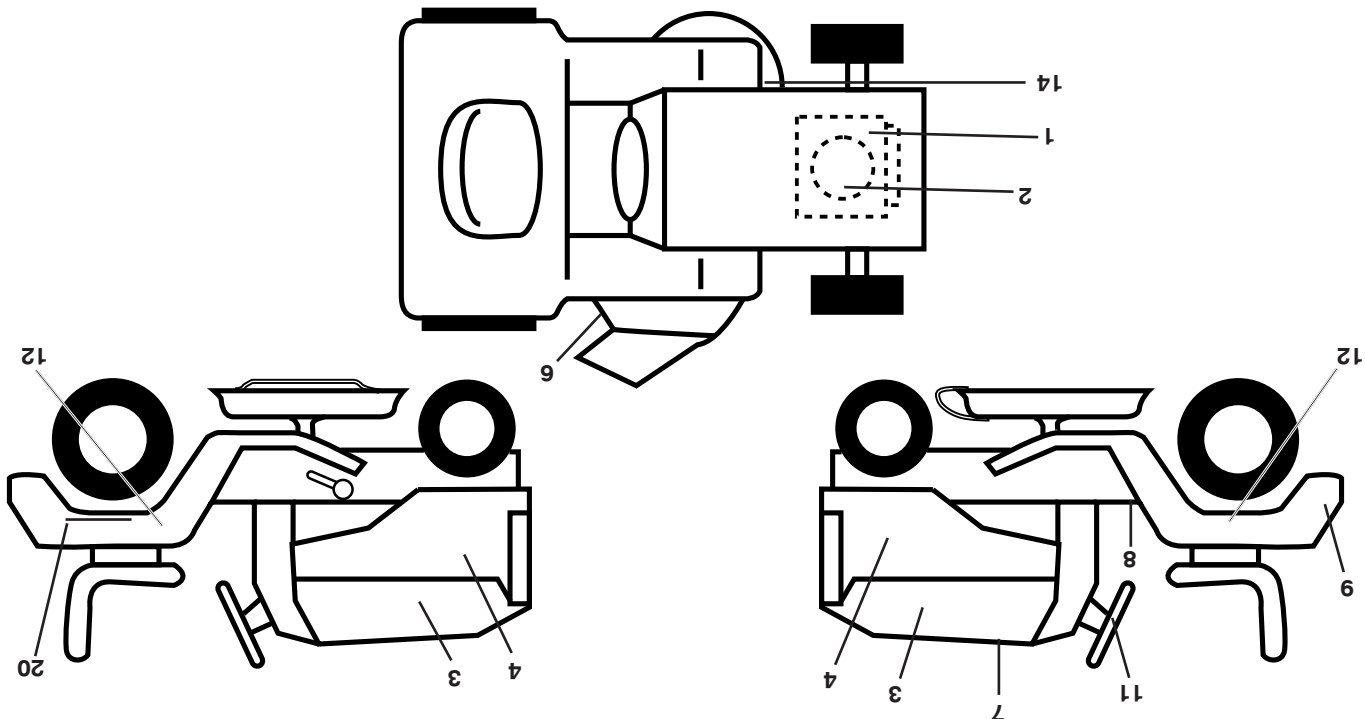
Au Canada:
HOP
5855 Terry Fox Way
Mississauga, Ontario
L5V 3E4

en nous donnant le numéro du modèle, le numéro de série, la date d'achat de votre machine ainsi que l'adresse du concessionnaire autorisé chez qui vous l'avez achetée.

CETTE GARANTIE NE COUVRE AUCUN DOMMAGE INCIDENTEL OU CONSÉQUENT ET TOUTE GARANTIE IMPLICITE EST LIMITEE AUX MEMES PERIODES PRECISEES ICI POUR LES GARANTIES EXPLICITES DU FABRICANT. Certaines localités ne permettent aucune restriction des dommages consécutifs ou de la durée d'une garantie implicite et, par conséquent, il se pourrait que les restrictions et exclusions énoncées ci-dessus ne s'appliquent pas à vous. Cette garantie vous donne droits légaux spécifiques et vous pouvez aussi jouir d'autres droits d'un endroit à un autre.

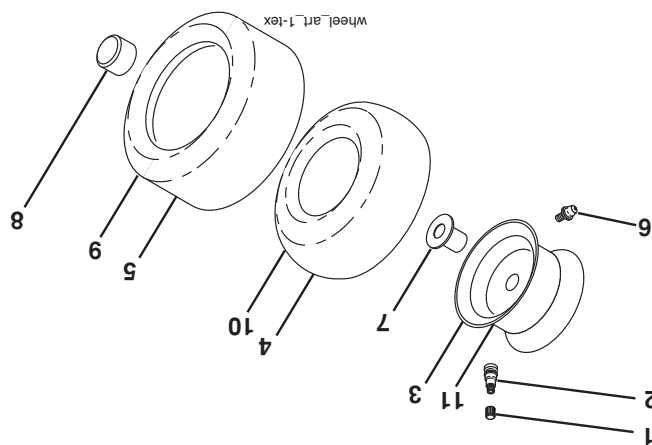
Cette garantie est une garantie limitée comme définie dans la loi Magnuson-Moss Act de 1975.

DÉCALCOMANIE



NO. DE DÉ	REF. PIECE	DESCRIPTION
1	532 42 52-86	Décalcomanie du pare-étincelles
2	532 42 95-51	Décalcomanie du moteur C.V.
3	532 44 52-35	Décalcomanie du capot
4	532 44 83-73	Décalcomanie du logo de panneau latéral
6	532 17 05-63	Décalcomanie d'avertissement, mains
7	532 44 82-52	Décalcomanie de pièces de rechange
8	532 41 16-58	Décalcomanie d'avertissement, aile
9	532 44 52-34	Décalcomanie de l'aile
11	532 43 85-01	Décalcomanie de volant de direction

ROUES & PNEUS



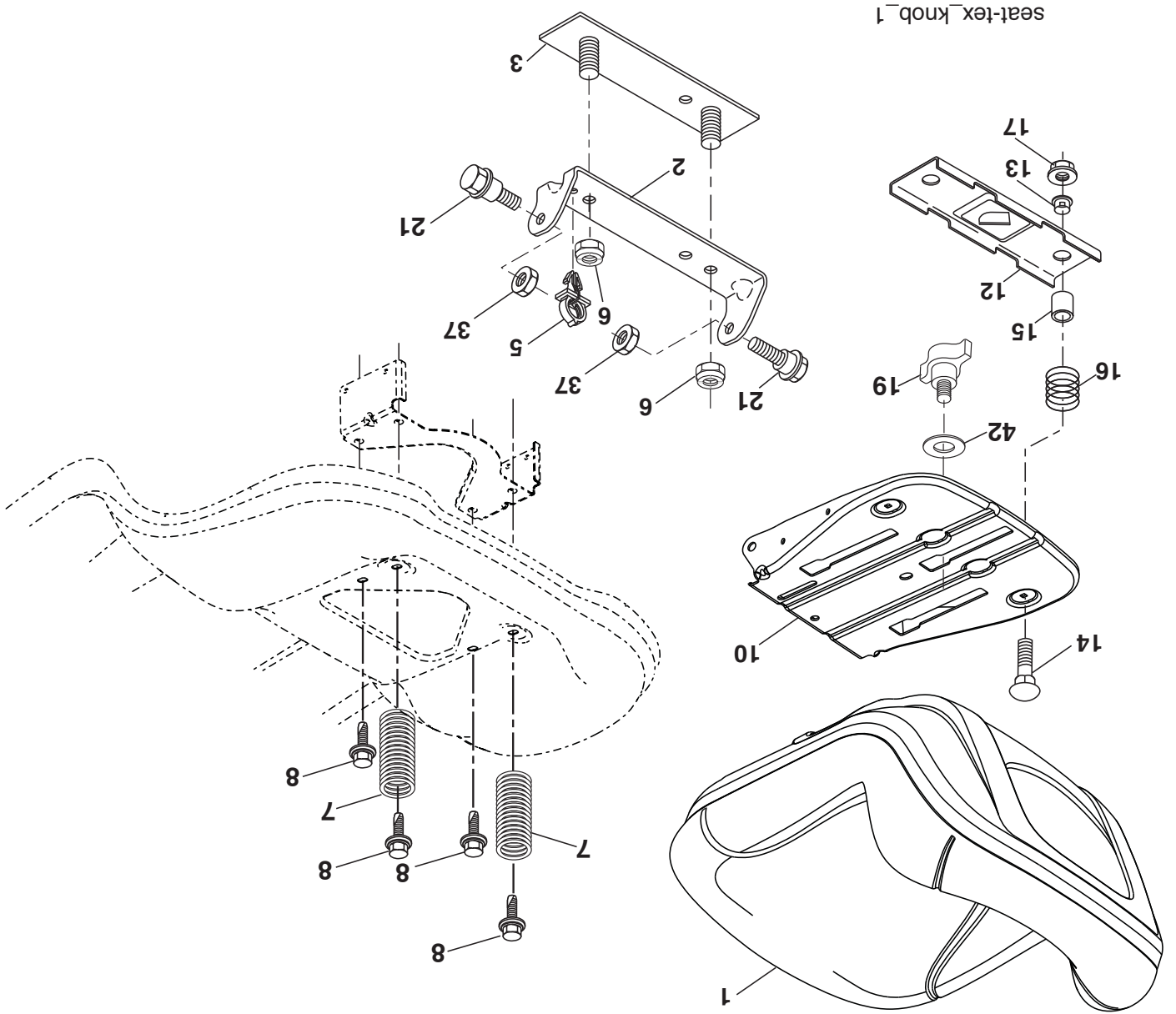
NO. DE DÉ	REF. PIECE	DESCRIPTION
1	532 05 91-92	Capuchon de valve
2	532 06 51-39	Tubulure de la valve
3	532 10 67-32	Ensemble de la jante antérieure de 6"
4	532 05 99-04	Chambre à air antérieure
5	532 10 62-22	Pneu antérieur 15 x 6 0 - 6
6	532 12 49-57	Graisneur (roue antérieure seulement)
7	532 12 49-59	Palier à bride (roue antérieure seulement)
8	532 17 50-39	Chapeau de l'essieu
9	532 42 05-31	Pneu arrière 18 x 9,5-8C Turf Saver LT
10	532 12 49-26	Chambre à air arrière (non fournie)
11	532 10 61-08	Ensemble de la jante arrière de 8"
--	532 14 43-34	Joint d'étanchéité de pneu (n'est pas montrée)

NO. DE DÉ	REF. PIECE	DESCRIPTION
12	532 43 90-60	Décalcomanie du de l'aile C.D.
14	532 16 03-96	Décalcomanie de la courroie trapézoïdale
20	532 14 50-05	Décalcomanie de la batterie
--	532 16 69-60	Décalcomanie de dérivation
--	532 40 95-05	Coussin d repose-pied C.G.
--	532 41 12-73	Coussin d repose-pied C.D.
--	532 44 83-74	Manuel du l'opérateur (Français/An-glais)
--	532 44 83-75	Manuel du pièces (Français/Anglais)

REMARQUE: Toutes les dimensions de composant sont données en pouces E.-U. -- 1 pouce = 25,4 mm

TRACTEUR - - NUMÉRO DE MODÈLE PB20A42LT (96048002500), NO. DE PRODUIT 960 48 00-25

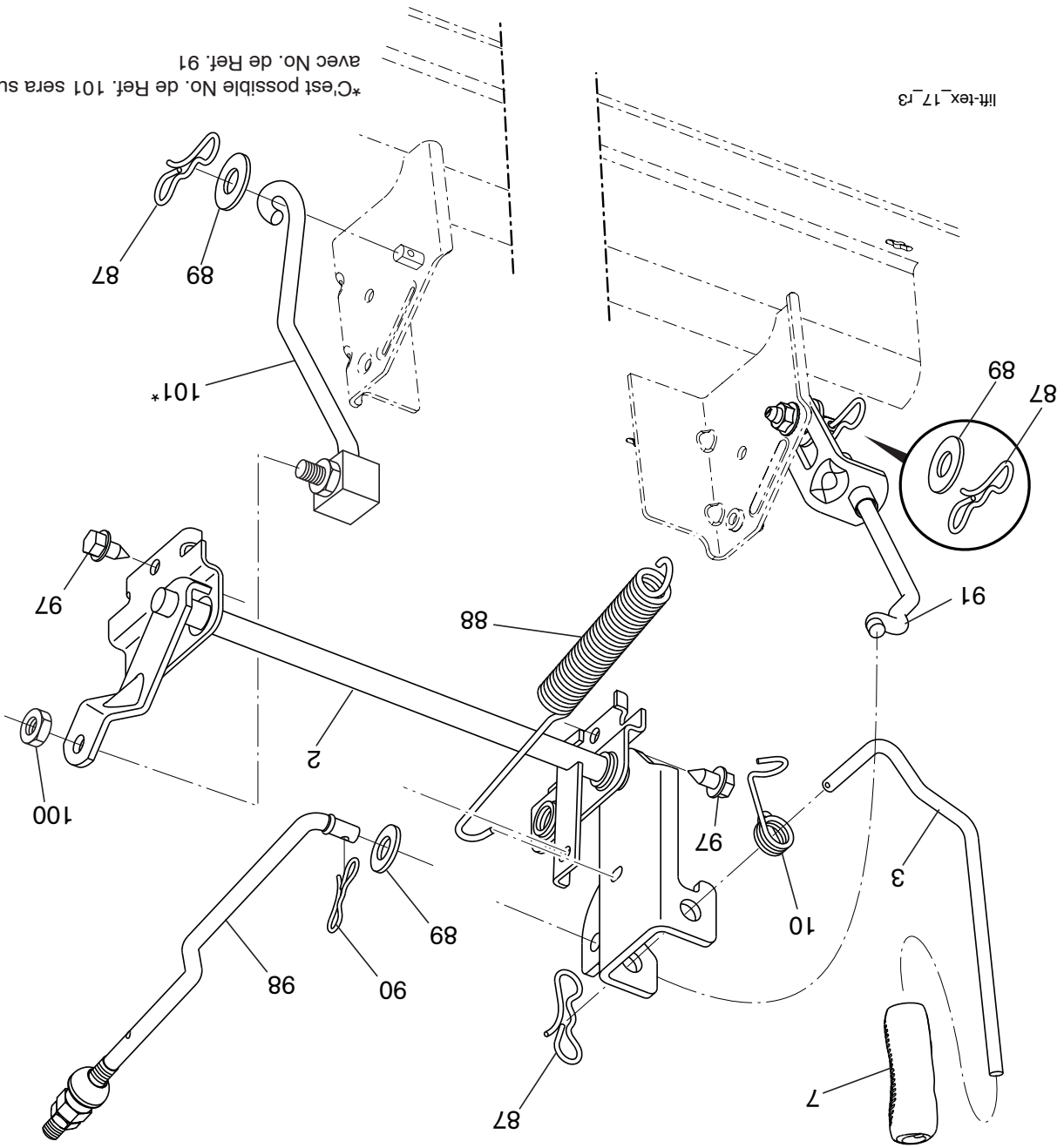
ENSEMBLE DU SIÈGE



NO. DE PIÈCE	DESCRIPTION	NO. DE PIÈCE	DESCRIPTION
1	Siège	15	Entretoise
2	Support de pivot	16	Ressort 1,310 Ja.
3	Attache De L'ensemble De L'aile	17	Ecrou 1/4 Cat. 5
5	Collier presse	19	Bouton Du Siège
6	Ecrou 3/8-16 unc	21	Bouton 5/16-18
7	Ressort	37	Ecrou 5/16-18 unc
8	Bouton 5/16-18 unc x 3/4	42	Rondelle
10	Bac Du Siège		
12	Support		
13	Douille Fendue De Bouton-Pression		
14	Boulon 1/4 - 20 X 1-1/2		

REMARQUE: Toutes les dimensions de composant sont données en pouces E.-U. -- 1 pouce = 25,4 mm.

TRACTEUR - - NUMÉRO DE MODÈLE PB20A42LT (96048002500), NO. DE PRODUIT 960 48 00-25
LEVAGE DE TONDEUSE



*C'est possible No. de Ref. 101 sera substitué avec No. de Ref. 91

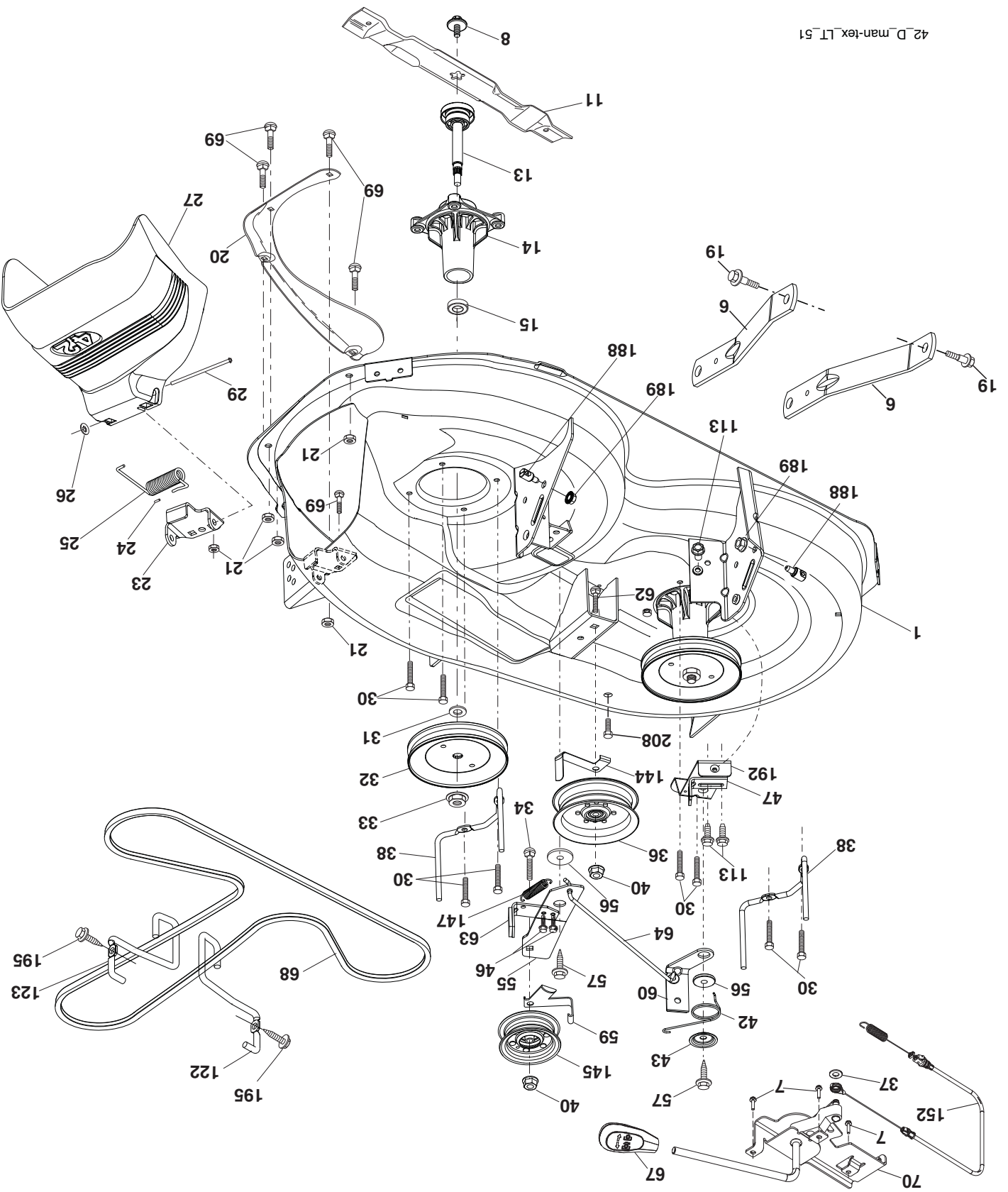
NO. NO.	DÉ	REF.	DESCRIPTION
97	817 06 06-12	97	Vis 3/8-16 x .75
98	532 19 52-70	98	Raccord du levage, avant
100	873 93 06-00	100	Ecroû frein central 3/8 - 16 unc
101	532 40 70-03	101	Ascenseur de lien fixé

NO. NO.	DÉ	REF.	DESCRIPTION
2	532 42 20-27	2	Ensemble de l'arbre
3	532 19 52-31	3	Levier de l'ensemble, C.D.
7	532 41 15-55	7	Poignée
10	532 19 63-14	10	Ressort de torsion
87	532 19 42-09	87	Goupille fendue 7/16
88	532 19 53-03	88	Ressort
89	819 19 19-12	89	Rondelle
90	532 19 42-08	90	Goupille fendue 5/16
91	532 19 51-81	91	Raccord du levage, arrière

TRACTEUR - - NUMÉRO DE MODÈLE PB20A42LT (96048002500), NO. DE PRODUIT 960 48 00-25
 CARTER DE TONDEUSE

NO. DE RÉF.	DESCRIPTION	NO. DE RÉF.	DESCRIPTION	
1	532 19 99-11	43	Ressort la Torsion de retenue	
6	532 19 51-86	46	Vis 1/4-20 x 5/8	
7	532 41 63-58	47	Support du câble d'embrayage	
8	532 19 30-03	55	Support du câble d'embrayage	
11	532 13 89-71	56	Entretoise	
--	532 13 97-75	57	Vis 3/8-16 x 1	
--	532 13 41-49	59	Protecteur	
42	532 19 84-10	60	Levier de frein	
40	873 90 06-00	62	Boulon 3/8-16 unc x 2	
38	532 43 25-20	63	Levier de frein	
37	819 13 13-16	64	Raccord	
36	532 19 73-79	67	Guidon du câble d'embrayage	
34	872 11 06-12	68	Courroie trapézoïdale	
33	532 40 02-34	69	Boulon 5/16-18 x 5/8	
32	532 19 74-73	70	Ensemble du embrayage	
31	532 18 76-90	113	Vis 5/16-18	
30	532 17 39-84	122	Guide-courroie du Moteur C.G.	
29	532 13 14-91	123	Guide-courroie du Moteur C.D.	
27	532 40 30-04	144	Guide-courroie	
26	532 11 04-52	145	Pouille de tension principal	
25	532 19 70-26	147	Ressort de rappel	
24	532 10 53-04	152	Câbler le Manuel d'Embrayage	
23	532 19 25-57	188	Attache	
22	532 15 97-70	189	Ecroû frein	
21	873 68 05-00	192	Support C.G.	
20	532 15 97-70	195	Vis 3/8-16 x 3/4	
19	532 19 65-39	208	Vis 3/8-16 x 1/2	
15	532 11 04-85	532 41 52-41	Ensemble du mandrin (Inclut boîtier,	
14	532 18 72-81	532 43 51-11	ensemble arbe, et palier seulement -	
13	532 19 28-72	532 40 19-71	pouille/écrou/rondele et lame, boulon/	
--	532 42 27-19	532 19 72-59	rondele ne pas inclut)	
--	532 42 47-52	873 90 05-00	La Tondeuse à gazon de remplacement,	
--	532 42 27-19	873 90 06-00	Complet	
--	532 42 27-19	873 90 06-00	REMARQUE: Toutes les dimensions de composant sont don- nées en pouces E.-U. -- 1 pouce = 25,4 mm.	
1	532 19 99-11	43	Ressort la Torsion de retenue	
6	532 19 51-86	46	Vis 1/4-20 x 5/8	
7	532 41 63-58	47	Support du câble d'embrayage	
8	532 19 30-03	55	Support du câble d'embrayage	
11	532 13 89-71	56	Entretoise	
--	532 13 97-75	57	Vis 3/8-16 x 1	
--	532 13 41-49	59	Protecteur	
42	532 19 84-10	60	Levier de frein	
40	873 90 06-00	62	Boulon 3/8-16 unc x 2	
38	532 43 25-20	63	Levier de frein	
37	819 13 13-16	64	Raccord	
36	532 19 73-79	67	Guidon du câble d'embrayage	
34	872 11 06-12	68	Courroie trapézoïdale	
33	532 40 02-34	69	Boulon 5/16-18 x 5/8	
32	532 19 74-73	70	Ensemble du embrayage	
31	532 18 76-90	113	Vis 5/16-18	
30	532 17 39-84	122	Guide-courroie du Moteur C.G.	
29	532 13 14-91	123	Guide-courroie du Moteur C.D.	
27	532 40 30-04	144	Guide-courroie	
26	532 11 04-52	145	Pouille de tension principal	
25	532 19 70-26	147	Ressort de rappel	
24	532 10 53-04	152	Câbler le Manuel d'Embrayage	
23	532 19 25-57	188	Attache	
22	532 15 97-70	189	Ecroû frein	
21	873 68 05-00	192	Support C.G.	
20	532 15 97-70	195	Vis 3/8-16 x 3/4	
19	532 19 65-39	208	Vis 3/8-16 x 1/2	
15	532 11 04-85	532 41 52-41	Ensemble du mandrin (Inclut boîtier,	
14	532 18 72-81	532 43 51-11	ensemble arbe, et palier seulement -	
13	532 19 28-72	532 40 19-71	pouille/écrou/rondele et lame, boulon/	
--	532 42 27-19	532 19 72-59	rondele ne pas inclut)	
--	532 42 47-52	873 90 05-00	La Tondeuse à gazon de remplacement,	
--	532 42 27-19	873 90 06-00	Complet	

TRACTEUR - - NUMÉRO DE MODÈLE PB20A42LT (96048002500), NO. DE PRODUIT 960 48 00-25
CARTER DE TONDEUSE



42_D_man-tex_LT_51

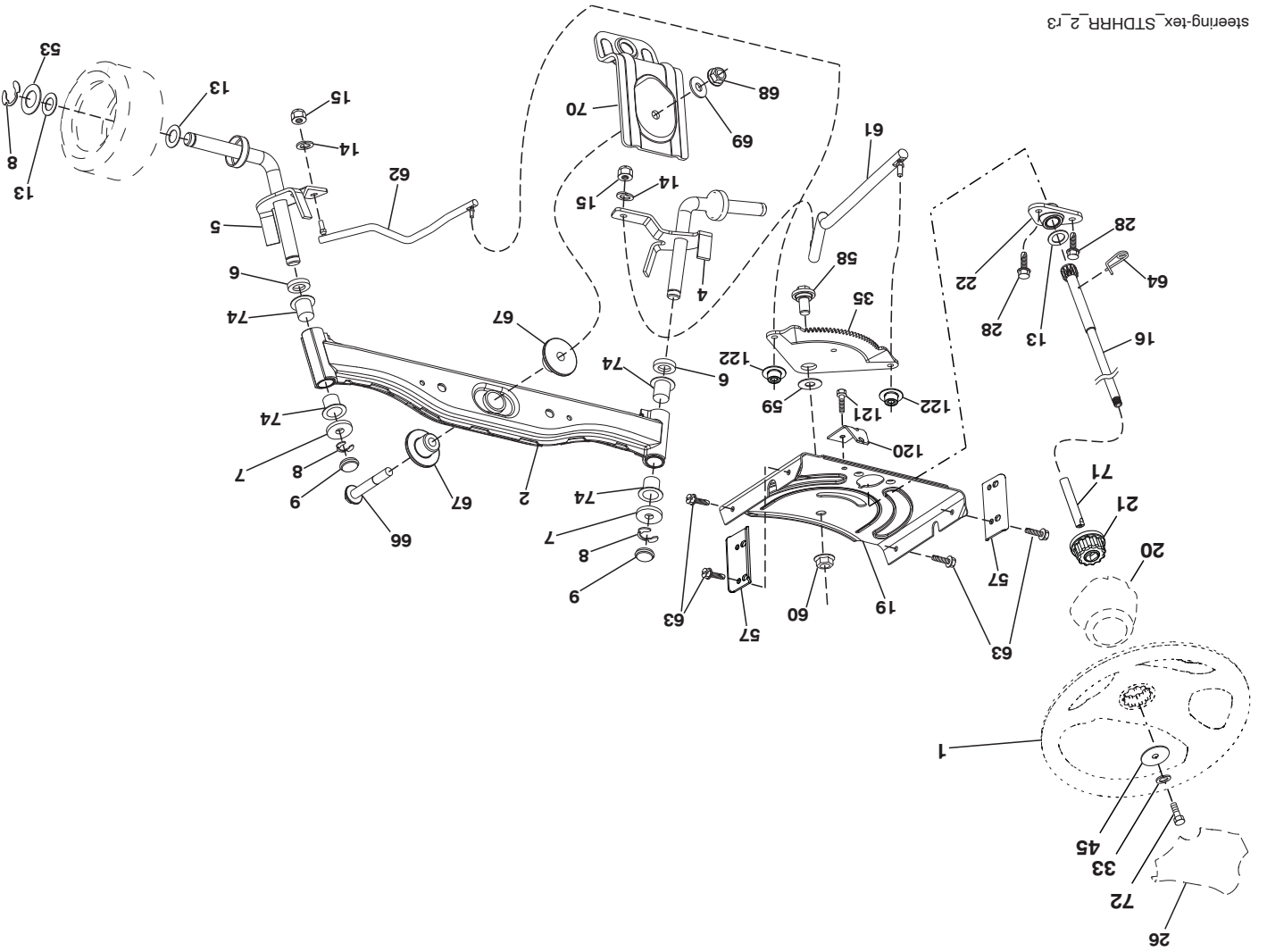
14

NO. DE DÉ	NO. DE PIÈCE	DESCRIPTION
1	532 42 45-43	Volant de direction
2	532 41 81-68	Ensemble de essieu, antérieur
4	532 40 30-87	Ensemble de broche, (C.G.)
5	532 40 30-88	Ensemble de broche, (C.D.)
6	532 12 49-31	Rondelle 0.75 x 1.230
7	532 12 17-48	Rondelle 25/32 x 1-5/8 x 16 Ja.
8	812 00 00-29	Bague #T5304-75
9	532 12 12-32	Capuchon de broche
13	532 12 17-49	Rondelle 25/32 x 1-1/4 x 16 Ja.
14	810 04 06-00	Rondelle trein 3/8
15	873 54 06-00	Ecrou auto-serrant 3/8-24 unft
16	532 42 93-74	Arbre de direction
19	532 19 47-29	Plaque de direction
20	532 41 12-91	Soufflet de direction
21	532 18 67-37	Adaptateur
22	532 42 05-37	Soutien direction Intérieur
26	532 42 45-53	Insert
28	817 00 06-12	Vis 3/8-16 x 3/4
33	810 04 05-00	Rondelle trein 5/16
35	532 19 47-32	Secteur denté
45	819 11 38-12	Rondelle 11/32 x 2-3/8 x 12 Ja.
53	532 18 89-67	Rondelle .793 x 1.637 x .060
57	532 40 74-65	Support d'arrêt supérieur
58	532 19 47-47	Boulon à épaulement
59	532 19 47-48	Rondelle butée
60	873 97 10-00	Ecrou à collet 5/8-11
61	532 19 47-40	Barre de direction (C.G.)
62	532 19 47-41	Barre de direction (C.D.)
63	817 00 05-12	Vis 5/16-18 x 3/4
64	532 19 98-49	Pince d'arrêt
66	871 02 07-48	Boulon H 7/16-14 x 3
67	532 19 47-37	Douille
68	873 90 07-00	Ecrou trein 7/16-14 Cat. 5
69	532 19 91-62	Rondelle 1.5 x .505 x .118
70	532 19 61-97	Support
71	532 19 07-52	Arbre de rallonge de direction
72	532 42 89-82	Boulon 5/16-18 x 4
74	532 12 49-37	Roulement
120	532 41 56-89	Support
121	817 49 05-08	Vis 5/16-18 x 1/2
122	532 44 49-62	Chapeau

REMARQUE: Toutes les dimensions de composant sont données en pouces E.-U. -- 1 pouce = 25,4 mm.

TRACTEUR - - NUMÉRO DE MODÈLE PB20A42LT (96048002500), NO. DE PRODUIT 960 48 00-25

ENSEMBLE DE LA DIRECTION



NO. NO. DÉ DÉ RÉF. PIÈCE DESCRIPTION

1	---	Moteur B&S Model No. 331777 -1523-G5 (442174) (Commandez les pièces du fabricant du moteur.)
2	532 18 86-55	Silencieux
9	532 19 43-19	Guide-courroie du moteur
12	532 40 19-85	Pouille du moteur
15	532 40 75-45	Réservoir d'essence 1.50
18	532 43 02-20	Boudhon du réservoir d'essence
20	532 17 05-45	Commande des gaz/du starter
21	532 41 63-58	Vis #10 x 0.750
28	532 40 11-37	conduite d'essence/conduite du carburant
29	532 13 71-80	Pare-étincelles
37	532 12 34-87	Bride de serrage du tuyau
42	810 04 07-00	Rondelle frein 7/16
45	873 51 04-00	Ecrou H 1/4-20 unc
69	532 16 52-91	Joint
79	532 19 23-34	Voyez vis à six pans creux 5/16-18 x .75
81	532 14 84-56	Tube
82	532 42 82-87	Soupape
84	817 06 06-20	Vis 3/8-16 x 1-1/4
85	532 17 39-37	Boulon H 7/16-20 x 4 x Cat. 5-1.5
87	532 17 18-77	Boulon 5/16-18 unc
90	817 00 06-16	Vis 3/8-16 x 1.0
94	532 40 54-50	Tube
96	819 09 14-16	Rondelle 9/32 x 7/8 x 16 Ja.
97	817 67 04-12	Vis 1/4-20 x 3/4

REMARQUE: Toutes les dimensions de composant sont données en pouce d'E.-U. - - 1 pouce = 25,4 mm.
Pour des pièces de service et de rechange de moteur, réclamez le numéro de téléphone libre pour votre fabricant de moteur énuméré ci-dessous:

Briggs & Stratton 1-800-233-3723

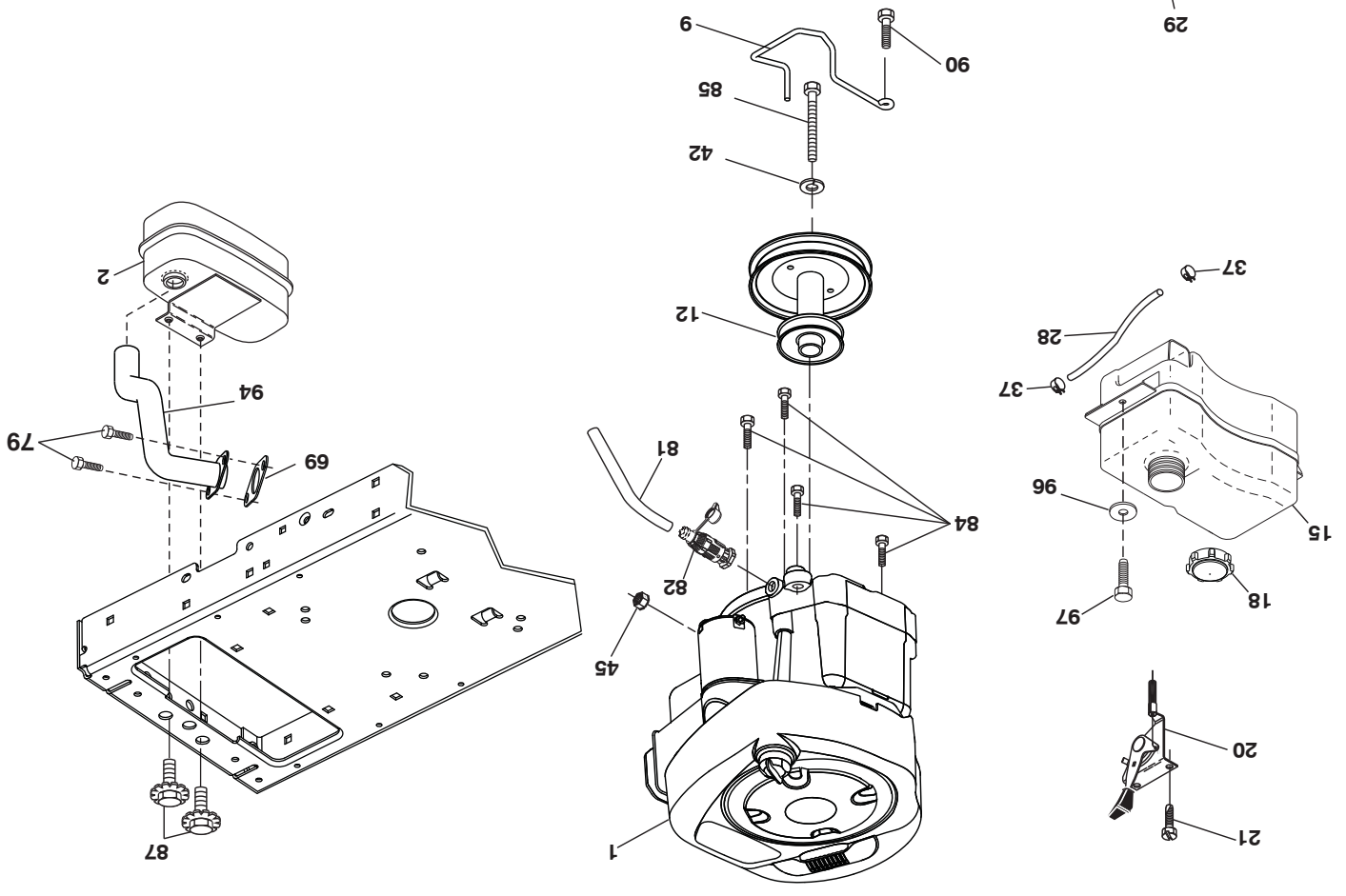
INFORMATIONS CONCERNANT LA PUISSANCE THÉORIQUE DU MOTEUR

La puissance brute pour chaque Modèle de moteur à essence est indiquée conformément au code J1940 (procédure de calcul de la puissance et du couple des petits moteurs) de la SAE (Society of Automotive Engineers) et les performances théoriques ont été obtenues et corrigées selon SAE J1995 (révision 2002-05). Les valeurs de couple sont calculées sur la base de 3060tr/min et celles de puissance sur la base de 3600tr/min. La puissance brute réelle du moteur peut être plus faible notamment à cause des conditions de fonctionnement et des variations d'un moteur à l'autre. Compte tenu de la grande variété de machines sur lesquelles nos moteurs sont utilisés et du nombre de problèmes environnements applicables au fonctionnement des équipements, il se peut que le moteur à essence ne développe pas sa puissance théorique une fois qu'il est monté sur une machine particulière (puissance nette ou réelle «sur site»). Cette différence s'explique par un grand nombre de facteurs, tels que (liste non limitative): accessoires (filtre à air, échappement, admission, refroidissement, carburateur, pompe à essence, etc.), limites d'utilisation, conditions ambiantes d'utilisation (température, humidité, altitude) et variations d'un moteur à l'autre. Pour des raisons de fabrication et de capacité limitées, Briggs & Stratton est susceptible de remplacer ce Modèle par un moteur plus puissant.

engine-tex_BS_63

EQUIPMENT FACULTATIF
PARE-ÉTINCELLES

29



TRACTEUR - - NUMÉRO DE MODÈLE PB20A42LT (96048002500), NO. DE PRODUIT 960 48 00-25

ENTRAÎNEMENT

NO. DE DÉ	REF. PIÈCE	DESCRIPTION
1	---	Transmission, Gentrans (415663)
2	532 12 35-83	Cle.2.0 X .1845/.1865
22	532 42 10-63	Tige
23	532 14 08-45	Bouton
33	812 00 00-01	Anneau,#5133-75
35	532 19 77-22	Tige De Frein Du Stationnement
37	532 12 17-49	Rondelle.25/32 X 1 1/4 X 16 Ja.
42	532 12 48-72	Couvercle Du Pedale
49	872 11 06-14	Boulon 3/8-16 Unc X 1-3/4. Cat. 5
50	532 19 43-27	Pouille
51	873 90 06-00	Ecrou 3/8-16
52	532 19 43-26	Pouille
56	532 19 72-53	Courroie
64	532 19 62-00	Ensemble Du Tige Du Frein
70	532 44 03-23	Console
73	874 49 05-44	Boulon 5/16-18.Cat.5
74	532 14 24-32	Vis 1/4 X 1/2 Unc
99	532 42 73-40	Tige
116	873 90 05-00	Ecrou 5/16-18 Unc
125	817 00 05-12	Vis .5/16-18X3/4
131	876 02 03-12	Epingle 3/32/ X 3/4
143	817 49 05-08	Vis.5/16-18 X 1/2
160	532 16 94-84	Ressort De Retenue
161	532 10 57-09	Ressort D'embrayage 6.75
165	532 19 62-12	Douille
166	532 42 91-64	Ecrou .625
167	532 40 52-57	Du Frein De Stationnement
172	532 41 56-64	Support

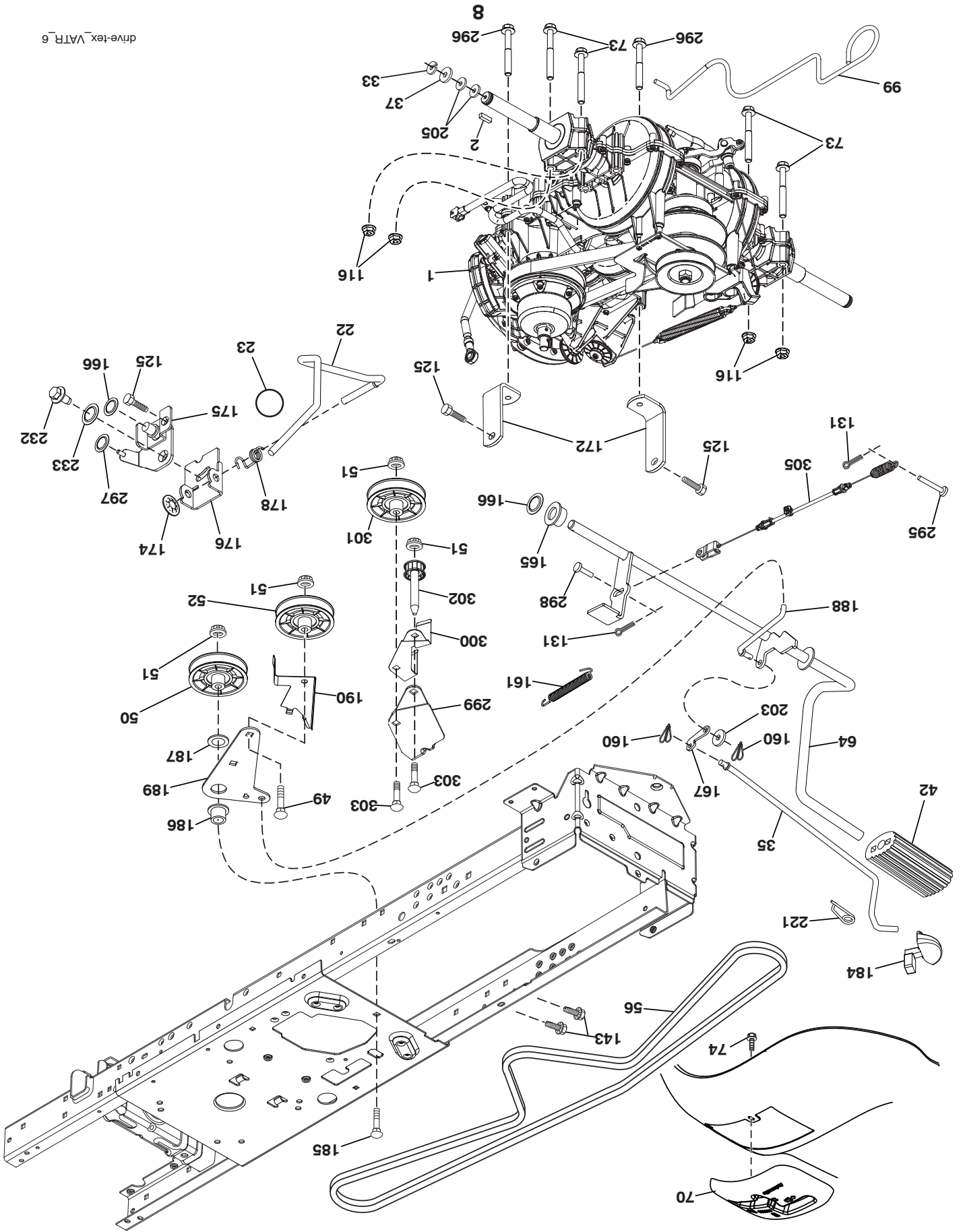
(Commandez les pièces du fabricant du transmission.)

NO. DE DÉ	REF. PIÈCE	DESCRIPTION
174	532 19 72-89	Ecrou .500
175	532 41 56-77	Tige Du Mouvement
176	532 19 62-14	Tige
178	532 19 74-56	Ressort Du Mouvement
184	532 44 15-04	Poignée
185	872 11 06-22	Boulon.3/8-16 Unc X 2-3/4 Cat. 5
186	532 19 43-21	Entretoise
187	819 13 32-10	Rondelle.13/32 X 2 X 10 Ja.
188	532 19 43-23	Tige D'embrayage
189	532 19 43-17	Support
190	532 19 43-18	Support
203	819 11 11-16	Rondelle 11/32 X 11/16 X 16 Ja..
205	532 12 17-48	Rondelle.25/32 X 1-5/8 X 16 Ja.
221	532 40 31-87	Ressort De Retenue
232	874 78 07-16	Boulon. 7/16-14 X 1 Cat.5
233	532 40 52-96	Rondelle
295	532 42 03-06	Epingle 183 Od X 1.260 Long
296	532 42 04-71	Vis 5/16-18 X 3
297	532 42 02-23	Ecrou 1/4
298	532 41 56-94	Epingle
299	532 41 56-83	Support De Pouille
300	532 41 56-81	Garde Du Pouille
301	532 41 56-80	Pouille
302	532 41 56-66	Pouille
303	872 11 06-18	Boulon 3/8-16 X 2-1/4
305	532 41 56-92	Câble Du Transmission

REMARQUE: Toutes les dimensions de composant sont données en pouces E.-U. -- 1 pouce = 25,4 mm.

TRACTEUR - - NUMÉRO DE MODÈLE PB20A42LT (96048002500), NO. DE PRODUIT 960 48 00-25

ENTRAÎNEMENT

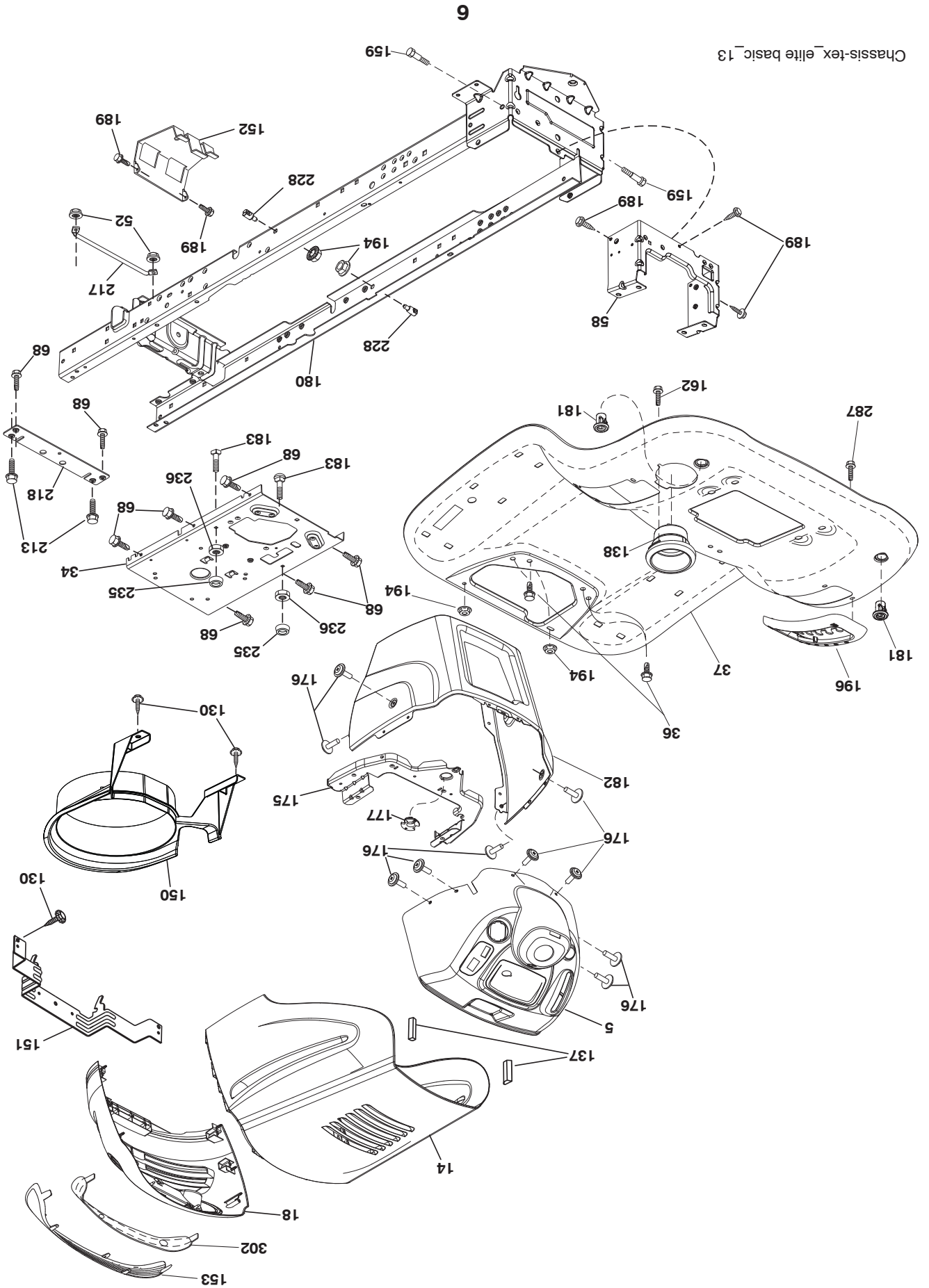


NO. NO.	DÉ DE	REF. PIÈCE	DESCRIPTION
5	532 41 17-64		Tableau de bord
14	532 18 58-47		Capot
18	532 42 67-92		Calandre
36	817 06 05-12		Vis 5/16-18 x 3/4
34	532 44 72-53		Protection d'essence
37	532 43 65-23		Aile
52	873 68 05-00		Ecroû frein 5/16-18
58	532 41 22-80		Barre d'attelage supérieur
68	817 49 05-08		Vis 5/16-18 x 1/2
130	532 41 63-58		Vis #10 x 0.750
137	532 18 49-21		Pare-chocs de capot
138	532 40 97-30		Porte-gobelet
150	532 18 44-61		Canalisation de chaleur
151	532 40 78-07		Support de la pivot
152	532 19 95-35		Défecteur
153	532 18 98-37		Calandre de lentille
159	817 00 06-12		Vis 3/8-16 x 3/4
162	532 14 24-32		Vis 1/4 x 1/2
175	532 19 32-43		Pièce d'entretoisement
176	532 40 07-76		Vis 10-24 x 5/8
177	532 19 52-28		Douille de direction
180	532 41 50-63		Châssis
181	532 40 47-96		Douille
182	532 19 30-57		Tableau de bord baisser
183	874 52 05-20		Boulon 5/16-18 x 1-1/4
189	817 00 05-12		Vis 5/16-18 x 3/4
194	873 90 05-00		Ecroû frein H 5/16-18
196	532 41 45-79		Ensemble de panneau
213	874 76 05-12		Boulon 5/16-18 X 3/4
217	532 40 91-67		Tige de capot
218	532 19 63-95		X-Pièce capot
228	532 19 51-61		Tenon
235	532 40 61-29		Entretoise de l'aile
236	873 93 05-00		Ecroû frein central 5/16-18
287	817 60 04-06		Vis 1/4-20 x 3/8
302	532 18 38-23		Insert lentille réfléchissantes

REMARQUE: Toutes les dimensions de composant sont données en pouces E.-U. -- 1 pouce = 25,4 mm.

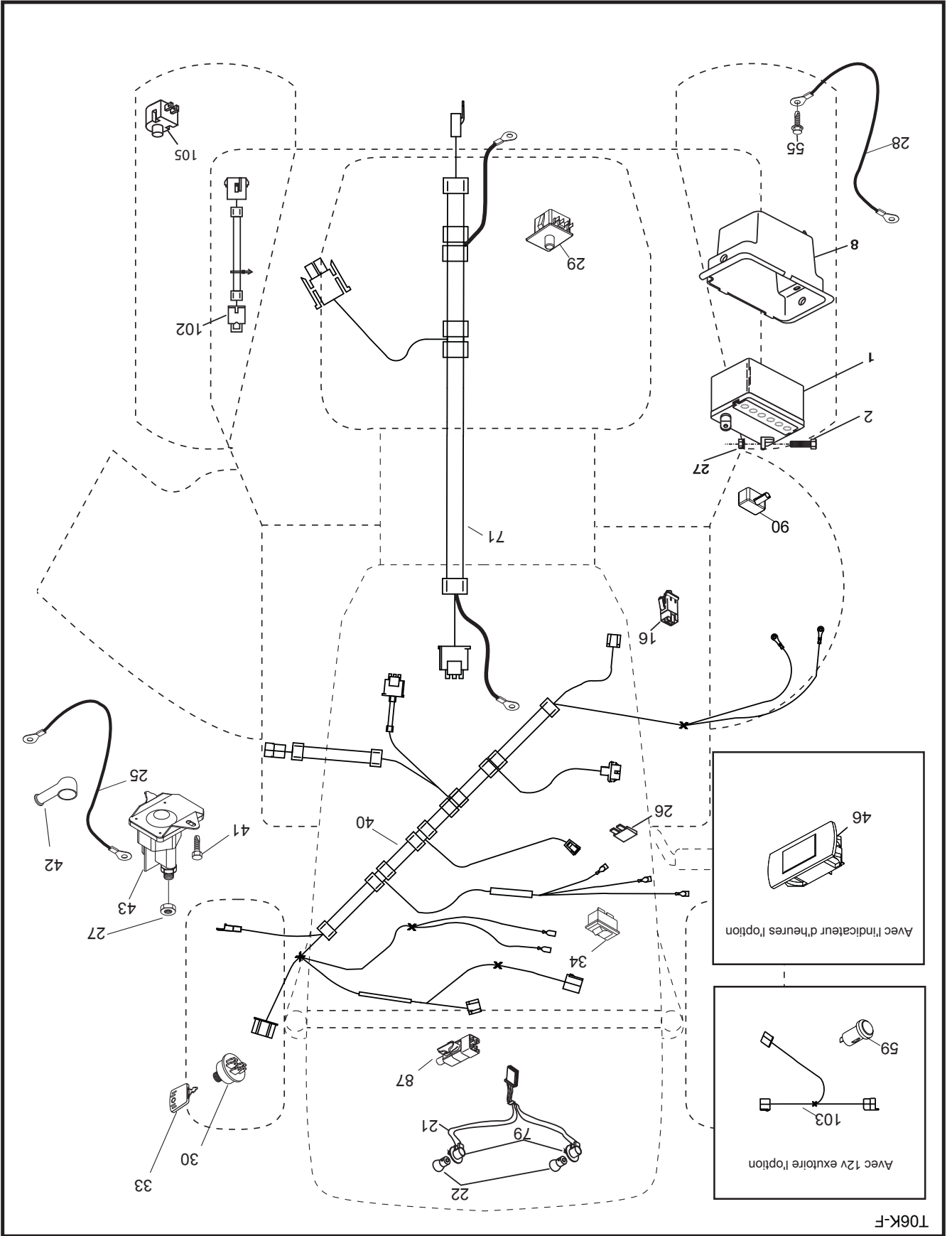
TRACTEUR - - NUMÉRO DE MODÈLE PB20A42LT (96048002500), NO. DE PRODUIT 960 48 00-25

CHÂSSIS/ENCEINTES

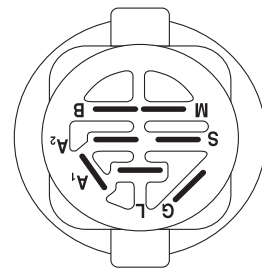
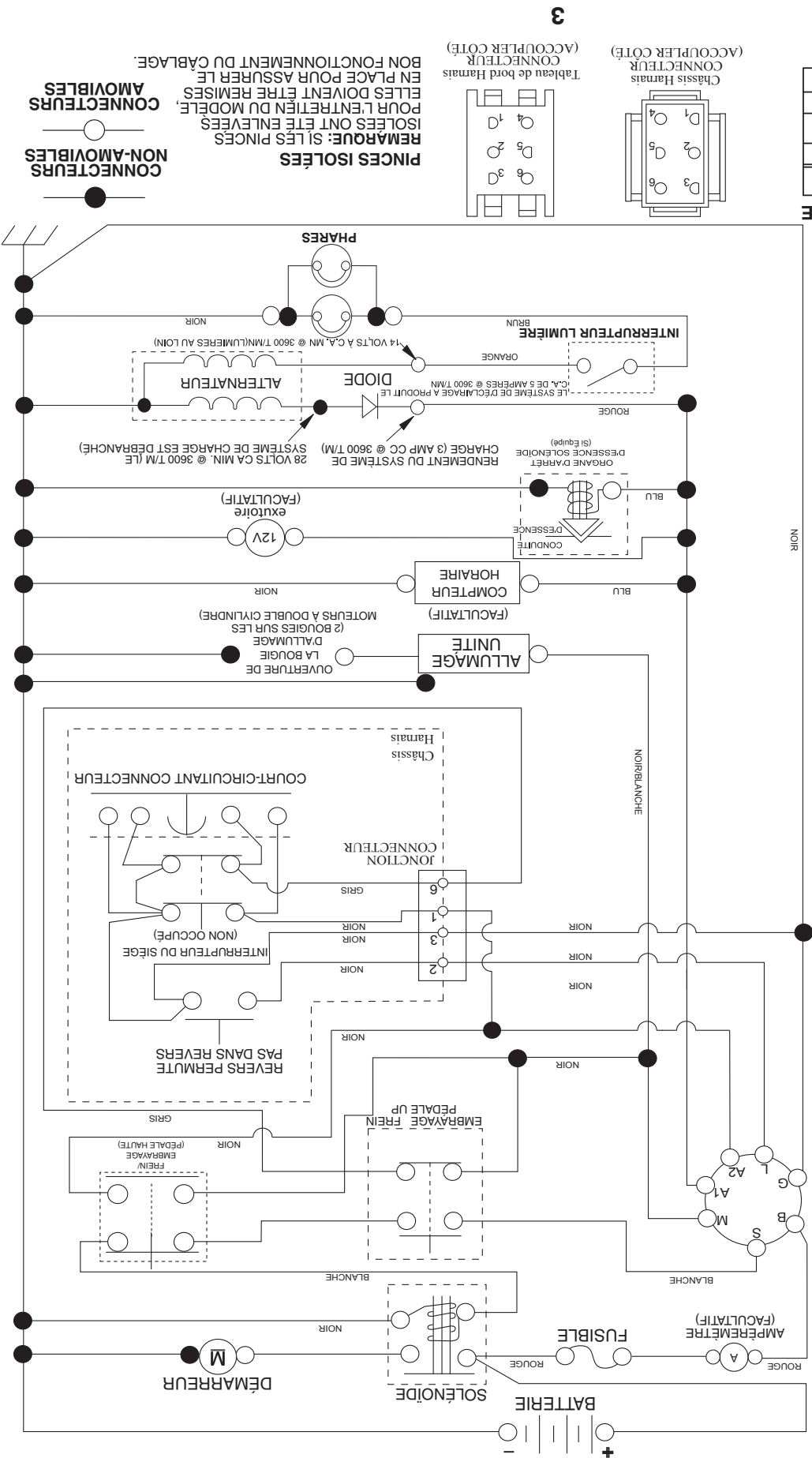


NO. DE REF.	NO DE PIECE	DESCRIPTION
1	532 16 34-65	Batterie
2	874 76 04-12	Boulon H 1/4-20 unc x 3/4
8	532 19 32-28	Bac de batterie
16	532 17 61-38	Interrupteur de verrouillage
21	532 18 37-59	Harnais de prise de courant du phare
22	532 00 41-52	Ampoule N°1 156
25	532 41 28-94	Câble démarreur de 6 ja. noir/rouge 14.5
26	532 17 51-58	Fusible
27	873 51 04-00	Ecroû à taquets H 1/4-20 unc
28	532 19 88-85	Câble de masse de 6 ja. de 18" pile postérieure noir
29	532 19 27-49	Interrupteur
30	532 19 33-05	Contacteur d'allumage
33	532 41 19-35	Cité/chaine
34	532 11 07-12	Interrupteur de lumière
40	532 40 10-98	Harnais des câbles d'allumage
41	817 72 04-08	Vis 1/4-20 x 1/2
42	532 13 15-63	Couverture de borne
43	532 19 25-07	Solénoïde
55	817 06 05-12	Vis 5/16-18 x 3/4
71	532 44 15-44	Harnais des câbles of d'allumage
79	532 17 52-42	Ensemble de prise de courant d'ampoule
87	532 19 78-02	Interrupteur de embrayage verrouillage
90	532 43 53-95	Couverture
102	532 41 97-81	Harnais renversé de fil
105	532 40 75-68	Inverseur

REMARQUE: Toutes les dimensions de composant sont données en pouces E.-U. -- 1 pouce = 25,4 mm.



T06K-F



REMARQUE
VOTRE TRACTEUR EST ÉQUIPÉ D'UN SYSTÈME D'ALTERNATEUR SPÉCIAL AU LIEU D'ÊTRE BRANCHÉS SUR LA BATTERIE. LES PHARES DISPOSENT DE LEUR PROPRE SOURCE D'ÉNERGIE ÉLECTRIQUE, DONC LA BRILLANCE DES PHARES CHANGERA EN FONCTION DE LA VITESSE DU MOTEUR. AU RALENTI, LA BRILLANCE DES PHARES BAISSERA: QUAND LE MOTEUR EST ACCÉLÉRÉ, LA BRILLANCE ATTEINDRA SON MAXIMUM.

COMMENT UTILISER CE MANUEL

Ce manuel a été dessiné pour fournir le client avec les moyens d'identification des pièces de détails du tracteur quand il/elle a besoin de commander les pièces de rechange. Les illustrations ne peuvent pas représenter exactement le modèle que vous avez acheté. N'utilisez pas ce manuel comme un guide dans le montage et/ou démontage de votre tracteur. La visserie montrée est plus grande pour faciliter l'identification.

Chaque tracteur a un numéro de modèle particulier.

Le numéro de modèle du produit se trouvera sur l'aile, dessous le siège.

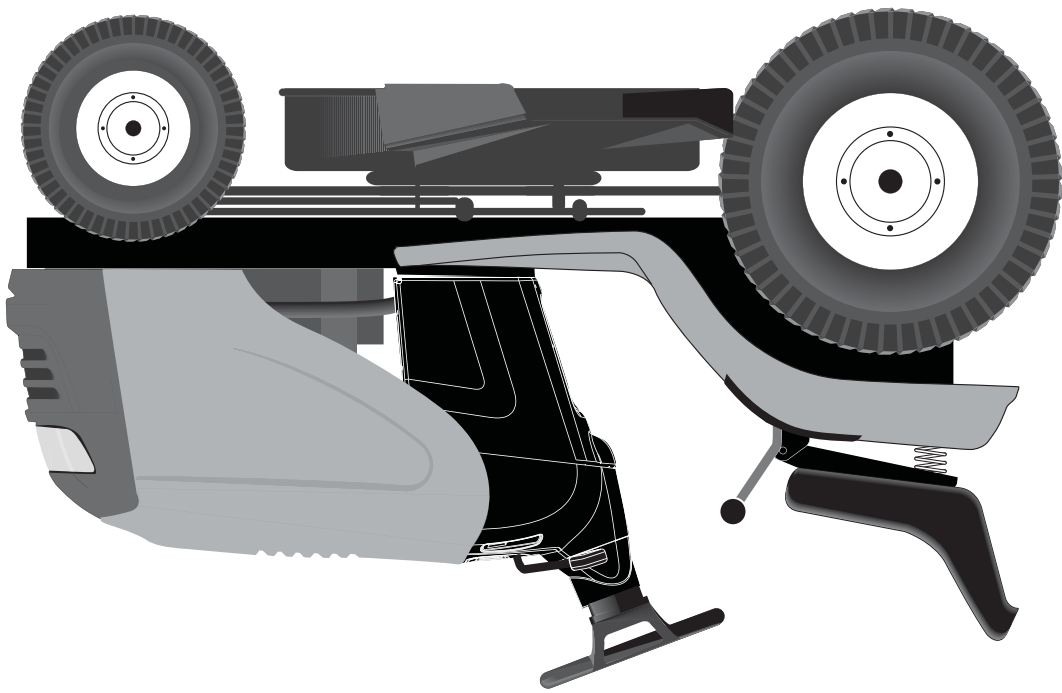
Lorsque vous commandez des pièces de rechange, donnez toujours les renseignements suivants:

- Produit - "TRACTEUR"
- NUMÉRO DU MODÈLE - "PB20A42LT (96048002500)"
- Numéro de la Pièce
- Description de la Pièce

TABLE DE MATIERES

SCHEMA.....	3
ELECTRIQUE.....	4-5
CHASSIS/ENCEINTES.....	6-7
ENTRAÎNEMENT.....	8-9
MOTEUR.....	10-11
ENSEMBLE DE LA DIRECTION.....	12-13
CARTER DE TONDEUSE.....	14-15
LEVAGE DE LA TONDEUSE.....	16
ENSEMBLE DU SIÈGE.....	17
DECALCOMANIES.....	18
GARANTIE.....	19
L'ENTRETIEN ET LES PIÈCES DE RECHANGE.....	20

Poulan PRO



MANUEL DE PARTIES DE RÉPARATION


MODÈLE:

PB20A42LT

TRACTEUR DE PELOUSE

Portez toujours des lunettes de sécurité lors de l'utilisation.

Visitez notre site web : www.poulanpro.com

AVERTISSEMENT:  Lisez soigneusement le manuel suivez tous les avertissements et les instructions de sécurité. Les blessures sérieuses peuvent en résulter si vous ne lisez pas ces avertissements et instructions de sécurité.